



PARTS CATALOG

TORKELSON

TRACTORS

**Model 714B
Backhoe - Loader**

**Model 715B
Backhoe - Loader**

FOREWORD**ALPHABETICAL INDEX**

The complete alphabetical index appears at the beginning of this publication. It is used to locate major groups, assemblies and components.

NUMERICAL INDEX

The numerical index of this publication follows the Alphabetical Index at the beginning of the publication and indicates at which grid location and page number a part number appears.

ILLUSTRATIONS

All illustrations are located on the left hand page with the text on the right. Except for some common hardware, all parts are identified with an item number which corresponds to the "item" column on the text page. This is followed by the part number, quantity and description.

HARDWARE

Common hardware not identified such as bolts, nuts, cotter pins and lube fittings, are listed indented in the text beneath the item to which they attach or fit. Common hardware listed indented beneath an item is NOT included unless specified. Example: (Incl. BOLT, LOCKWASHER AND NUT).

ORDERING PARTS

Be sure to refer to both the text and the illustration to assure ordering the correct part.

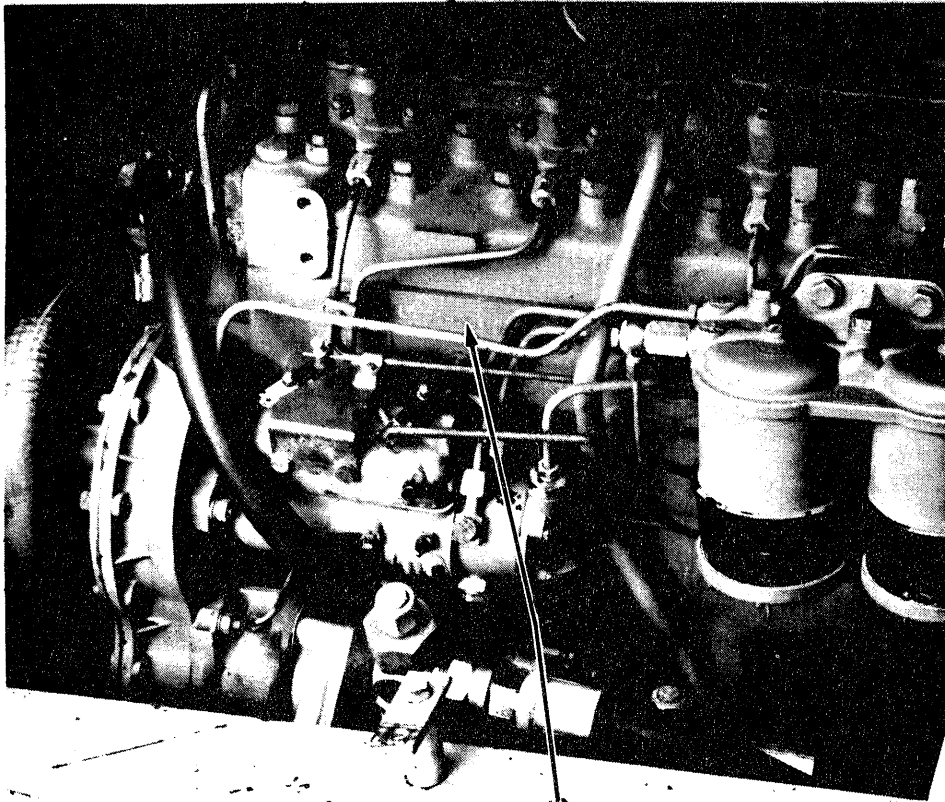
RECOMMENDED DEALER STOCK

A recommended dealer stock listing appears at the end of this publication.



AGRICULTURAL EQUIPMENT SECTOR
BOX 512, MILWAUKEE, WI 53201

SERIAL NUMBER LOCATION



ENGINE SERIAL NUMBER



TRACTOR SERIAL NUMBER

AIR INTAKE & EXHAUST SYSTEM	
Air Cleaner Group	47
Air Intake & Exhaust System	
Cleaner, Air	47
Muffler	49
Manifolds	
Exhaust	45
Intake	45
ATTACHMENTS	
Back-Up Alarm	263
Block Heater	259
Buckets	
Backhoe	237
Loader	239
Cold Start Group	241
Colant Filter	261
Counterweight Installation - Front for	
Extendable Dipperstick	245
License Plate	265
Mounting, — 714B Loader	247
Power Take-Off	
714B Loader w/3 Point Hitch	255
Rear Counterweight - 714B Loader	243
Return to Dig	253
Rotating Beacon	267
Spool Release Positioner Electric Magnetic	249
Tachometer	257
Vandalism Protection	251
AXLE, STEERING & WHEELS	
Axles (Refer to DRIVE TRAIN)	
Cylinder, Power Steering	137, 139, 141
Front Axle	139
Mounting	139
Power Steering	137
Steering Column Asy.	137, 143
Tie Rod Asy.	141
Tires & Wheel - Rear	135
Valve, Steering	143, 145
Wheel Asy. - Front	139
BACKHOE	
Backhoe Controls	207, 209
Backhoe Mainframe, Pin-on (714B)	213
Boom & Hydraulics	203
Cylinder Asy. (Refer to HYDRAULICS section)	
Dipperstick & Hydraulics	205
Extendable Dipperstick	211
Stabilizer Pad & Stabilizer Cylinder	197
Stabilizer Street Pad	197
Swing Frame & Cylinders	199
Valve Asy. (Refer to HYDRAULICS section)	
CAB	
Cab Frame (Prior S/N 500)	219
Cab Frame (Eff. S/N 500 & Up)	223
Defroster Fan	233
Doors (Prior S/N 500)	221
Doors (Eff. S/N 500 & Up)	225
Heater	229
Heater Asy.	231
Rear Window Wiper	235
Windshield Wiper & Motor	227

Continued

INDEX

COOLING SYSTEM	
Filter	55
Front Weight	55
Oil Cooler, Transmission	55
Pump, Water	51
Belt, Fan	51
Blade Asy., Fan	51
Hub, Pulley	51
Radiator	55
Water Outlet	53
Thermostat	55
DRIVE TRAIN	
Axle Asy.	119
Brake Parts	125
Differential Asy., Rear Axle	121
Differential Lock Linkage	125
Housing, Rear Drive	119
Housing & Brake Asy., Rear Axle	123
Brake Pedal & Linkage	133
Clutch Pedal & Linkage	131
Controls, Forward & Reverse	129
Controls, Parking Brake	117
Differential Lock	127
Main Drive Shaft	117
Mounting, Engine & Transmission	99
Torque Converter	101
Transmission Asy., Forward & Reverse	101
Case - 4-Speed	111
Control Cover - 4-Speed	115
Countershaft - 4-Speed	115
Drive Gear & Forward Clutch	107
Front Pump & Reverse Clutch	109
Housing, Pinion Cage & Output Shaft	103
Mainshaft - 4-Speed	113
ELECTRICAL & INSTRUMENTS	
Alternator Asy.	75, 81
Electrical Group	75
Battery Box	75
Fan, Alternator	75
Horn	75
Pulley, Alternator	75
Sending Units	75
Switches	
Hourmeter	75
Oil Pressure	75
Wiring & Battery	75
Instrument Panel	77
Fuse & Fuse Block	77
Gauges	
Fuel	77
Oil Temperature	77
Water Temperature	77
Hourmeter	77
Switches	77
Horn	77
Key	77
Stop Light	77
Turn Signal	77
Lamp Asy.	
Flood Lamp	97
Tail Lamp	97
Warning Lamp	83, 97
Lamps w/o ROPS	85
Starting Motor Asy.	75, 79

Continued

ENGINE	
Camshaft	41
Crankshaft	29
Cylinder Block	25
Cylinder Head	27
Engine Replacement	25
Exhaust Valve	27
Flywheel & Starting Ring	29
Housing	35
Gasket Sets	
Bottom Overhaul	23
Top Overhaul	21
Gear, Camshaft	41
Gear, Crankshaft	29
Indicator, Oil Level	39
Intake Valve	27
Lubricating System	
Oil Pan	39
Oil Pump	39
Oil Filter	37
Piston & Connecting Rod	31
Pulley, Crankshaft	29
Push Rod, Valve	33
Shaft, Rocker Arm	33
Short Block	25
Sleeve, Cylinder	25
Tappet, Valve	33
Timing Gear Cover	41
Valve Operating Mechanism	33
FUEL SYSTEM	
Fuel Control, Engine	73
Fuel Filters & Lines	69
Fuel Pump, Left	71
Fuel Tank & Lines	63
Injection Lines, Fuel	65
Injection Pump Components	
Housing & Drive	57
Transfer Pump, Head & Rotor	61
Injection Pump & Drive, Fuel	67
Nozzle Holder Assy.	65, 67

Continued

INDEX

HYDRAULICS	
Auxiliary Backhoe Hydraulics	193
Auxiliary Hydraulics	
Extendable Dipperstick	195
Auxiliary Loader Hydraulics	197
Backhoe	
Control Valves	
Backhoe	147, 149, 155, 159, 181
Swing	147, 149, 157, 161
Cylinders	
Boom	163, 203
Bucket	165, 205
Dipperstick	163, 203
Extension	191
Stabilizer	165, 199
Swing	167, 201
Cushion Asy.	167, 169
Valve & Lines	
Backhoe	155
Swing	157
Backhoe to Loader Hydraulics - 714B	189
Filter Asy.	149
Hydraulic Group	
3-Point Hitch - 714B Loader	179
Loader	
Control Valve	147, 149, 175, 181
Cylinders	
Lift	171, 177, 183
Tilt	173, 177, 185
Pitch	187
Valve & Lines	
Lift	171, 215
Tilt	173, 215
Pressure Lines	147
Priority Valve	137, 147, 149
Pump Asy., Implement	147, 149, 153
Reservoir	149, 151
Suction & Return Lines	149
LOADER	
Controls	217
Lift Arms	215
Linkage & Cylinders	215
NUMERICAL INDEX	
	7
RECOMMENDED DEALER STOCK LIST	
	256
SHEET METAL, FRAME & SEAT	
Decals	93
Fenders	91
Grille	91
Mainframe, Tractor	91
Platform	89
Rear Axle Mounting	99
Rollover Structure	
Canopy & Lights	97
Seat & Seat Support	87
3-POINT HITCH - 714B LOADER	
Control Valve	181
Hydraulic Group	179
Lift Cylinder	183
Mounting	247
Pitch Cylinder	187
Tilt Cylinder	185

714B & 715B TRACTORS

7

NUMERICAL INDEX

Part	Page	Grid	Part	Page	Grid	Part	Page	Grid	Part	Page	Grid
0043001-7	123	1-F 4	0246282-8	77	1-D 6	0251151-7	39	1-B16	0251269-7	67	1-C20
0081559-7	117	1-E22	0246689-4	227	1-J12	0251152-5	39	1-B16	0251271-3	67	1-C20
0098029-2	251	1-K12	0247336-1	179	1-H12	0251153-3	39	1-B16	0251272-1	67	1-C20
0202584-9	121	1-F 2	0248109-1	77	1-D 6	0251164-0	39	1-B16	0251273-9	67	1-C20
0209987-7	139	1-F20	0248111-7	85	1-D14	0251170-7	39	1-B16	0251276-2	67	1-C20
0227700-2	133	1-F14	0248111-7	97	1-E 2	0251171-5	39	1-B16	0251277-0	23	1-A24
0229110-2	123	1-F 4	0249515-8	49	1-C 2	0251173-1	39	1-B16	0251284-6	21	1-A22
0229902-2	73	1-D 2	0249693-3	75	1-D 4	0251174-9	23	1-A24	0251284-6	65	1-C18
0230170-3	77	1-D 6	0249788-1	75	1-D 4	0251174-9	39	1-B16	0251284-6	67	1-C20
0230170-3	235	1-J20	0249788-1	241	1-K 2	0251182-2	23	1-A24	0251285-3	65	1-C18
0230170-3	241	1-K 2	0250545-1	75	1-D 4	0251182-2	25	1-B 2	0251292-9	65	1-C18
0231240-3	79	1-D 8	0250848-9	139	1-F20	0251184-8	27	1-B 4	0251294-5	65	1-C18
0231258-5	79	1-D 8	0250849-7	139	1-F20	0251184-8	51	1-C 4	0251295-2	65	1-C18
0231260-1	79	1-D 8	0250854-7	139	1-F20	0251184-8	53	1-C 6	0251298-6	65	1-C18
0231288-2	79	1-D 8	0250857-0	139	1-F20	0251185-5	27	1-B 4	0251299-4	65	1-C18
0231319-5	79	1-D 8	0251001-4	25	1-B 2	0251186-3	27	1-B 4	0251301-8	65	1-C18
0231320-3	79	1-D 8	0251003-0	25	1-B 2	0251187-1	21	1-A22	0251302-6	65	1-C18
0231328-6	79	1-D 8	0251003-0	27	1-B 4	0251187-1	27	1-B 4	0251308-3	41	1-B18
0231329-4	79	1-D 8	0251004-8	25	1-B 2	0251189-7	27	1-B 4	0251308-3	69	1-C22
0234409-1	267	1-L 4	0251005-5	25	1-B 2	0251189-7	53	1-C 6	0251309-1	69	1-C22
0234976-9	147	1-G 4	0251006-3	25	1-B 2	0251191-3	53	1-C 6	0251310-9	69	1-C22
0234993-4	147	1-G 4	0251007-1	99	1-E 4	0251192-1	21	1-A22	0251312-5	69	1-C22
0235837-2	79	1-D 8	0251008-9	25	1-B 2	0251192-1	53	1-C 6	0251313-3	21	1-A22
0236236-6	55	1-C 8	0251009-7	25	1-B 2	0251197-0	33	1-B10	0251313-3	33	1-B10
0236386-9	79	1-D 8	0251010-5	25	1-B 2	0251198-8	33	1-B10	0251313-3	69	1-C22
0236387-7	79	1-D 8	0251012-1	25	1-B 2	0251199-6	33	1-B10	0251317-4	65	1-C18
0237006-2	75	1-D 4	0251014-7	69	1-C22	0251200-2	45	1-B22	0251320-8	69	1-C22
0237006-2	81	1-D10	0251015-4	25	1-B 2	0251201-0	45	1-B22	0251326-5	65	1-C18
0237946-9	63	1-C16	0251020-4	25	1-B 2	0251202-8	45	1-B22	0251326-5	241	1-K 2
0239176-1	143	1-F24	0251021-2	27	1-B 4	0251203-6	65	1-C18	0251327-3	65	1-C18
0239176-1	145	1-G 2	0251026-1	29	1-B 6	0251205-1	53	1-C 6	0251327-3	241	1-K 2
0239188-6	143	1-F24	0251027-9	29	1-B 6	0251206-9	33	1-B10	0251336-4	75	1-D 4
0239189-4	143	1-F24	0251032-9	25	1-B 2	0251208-5	33	1-B10	0251338-0	29	1-B 6
0239195-1	143	1-F24	0251035-2	25	1-B 2	0251209-3	33	1-B10	0251339-8	29	1-B 6
0239197-7	143	1-F24	0251036-0	25	1-B 2	0251210-1	33	1-B10	0251340-6	29	1-B 6
0239197-7	145	1-G 2	0251040-2	23	1-A24	0251211-9	33	1-B10	0251341-4	29	1-B 6
0239517-6	47	1-B24	0251040-2	25	1-B 2	0251213-5	33	1-B10	0251347-1	33	1-B10
0241056-1	45	1-B22	0251041-0	25	1-B 2	0251214-3	33	1-B10	0251356-2	31	1-B 8
0241139-5	153	1-G10	0251042-8	25	1-B 2	0251217-6	33	1-B10	0251357-0	31	1-B 8
0241335-9	79	1-D 8	0251048-5	23	1-A24	0251218-4	33	1-B10	0251358-8	31	1-B 8
0241522-2	63	1-C16	0251050-1	41	1-B18	0251223-4	33	1-B10	0251359-6	31	1-B 8
0241965-3	77	1-D 6	0251051-9	41	1-B18	0251224-2	33	1-B10	0251362-0	51	1-C 4
0241977-8	77	1-D 6	0251054-3	41	1-B18	0251225-9	33	1-B10	0251365-3	69	1-C22
0242534-6	139	1-F20	0251055-0	41	1-B18	0251226-7	33	1-B10	0251366-1	51	1-C 4
0242611-2	73	1-D 2	0251056-8	41	1-B18	0251228-3	27	1-B 4	0251380-2	51	1-C 4
0242812-6	81	1-D10	0251057-6	41	1-B18	0251231-7	27	1-B 4	0251397-6	69	1-C22
0242826-6	81	1-D10	0251058-4	41	1-B18	0251232-5	27	1-B 4	0251398-4	29	1-B 6
0242828-2	81	1-D10	0251069-1	71	1-C24	0251233-3	27	1-B 4	0251399-2	29	1-B 6
0242829-0	81	1-D10	0251072-5	43	1-B20	0251235-8	45	1-B22	0251401-6	27	1-B 4
0242831-6	81	1-D10	0251076-6	23	1-A24	0251238-2	45	1-B22	0251402-4	27	1-B 4
0242838-1	81	1-D10	0251076-6	25	1-B 2	0251239-0	45	1-B22	0251403-2	27	1-B 4
0243416-5	129	1-F10	0251077-4	25	1-B 2	0251240-8	21	1-A22	0251414-9	51	1-C 4
0243416-5	179	1-H12	0251082-4	25	1-B 2	0251240-8	45	1-B22	0251416-4	23	1-A24
0243416-5	217	1-J 2	0251083-2	37	1-B14	0251241-6	21	1-A22	0251416-4	37	1-B14
0243473-6	75	1-D 4	0251088-1	67	1-C20	0251241-6	45	1-B22	0251417-2	51	1-C 4
0243473-6	241	1-K 2	0251089-9	35	1-B12	0251242-4	21	1-A22	0251693-8	139	1-F20
0243606-1	153	1-G10	0251089-9	39	1-B16	0251242-4	45	1-B22	0251744-9	139	1-F20
0243792-9	81	1-D10	0251089-9	67	1-C20	0251246-5	43	1-B20	0251902-3	61	1-C14
0243846-3	79	1-D 8	0251089-9	75	1-D 4	0251248-1	45	1-B22	0251903-1	61	1-C14
0243848-9	79	1-D 8	0251095-6	41	1-B18	0251249-9	25	1-B 2	0251904-9	61	1-C14
0243849-7	79	1-D 8	0251096-4	23	1-A24	0251250-7	21	1-A22	0251905-6	61	1-C14
0243854-7	79	1-D 8	0251096-4	41	1-B18	0251250-7	33	1-B10	0251906-4	61	1-C14
0243855-4	79	1-D 8	0251099-8	41	1-B18	0251251-5	33	1-B10	0251907-2	61	1-C14
0244019-6	141	1-F22	0251100-4	41	1-B18	0251254-9	33	1-B10	0251908-0	61	1-C14
0244066-7	247	1-K 8	0251101-2	23	1-A24	0251255-6	33	1-B10	0251909-8	61	1-C14
0244237-4	139	1-F20	0251101-2	41	1-B18	0251255-6	35	1-B12	0251910-6	61	1-C14
0244975-9	131	1-F12	0251102-0	41	1-B18	0251255-6	39	1-B16	0251911-4	61	1-C14
0244975-9	133	1-F14	0251105-3	29	1-B 6	0251258-0	33	1-B10	0251912-2	61	1-C14
0246074-9	79	1-D 8	0251106-1	29	1-B 6	0251259-8	33	1-B10	0251913-0	61	1-C14
0246076-4	79	1-D 8	0251109-5	29	1-B 6	0251262-2	23	1-A24	0251914-8	61	1-C14
0246077-2	79	1-D 8	0251115-2	31	1-B 8	0251262-2	51	1-C 4	0251915-5	61	1-C14
0246078-0	79	1-D 8	0251118-6	31	1-B 8	0251265-5	51	1-C 4	0251917-1	61	1-C14
0246097-0	79	1-D 8	0251121-0	31	1-B 8	0251265-5	75	1-D 4	0251918-9	61	1-C14
0246100-2	79	1-D 8	0251129-3	39	1-B16	0251266-3	51	1-C 4	0251919-7	61	1-C14
0246171-3	75	1-D 4	0251150-9	39	1-B16	0251269-7	23	1-A24	0251920-5	61	1-C14

NUMERICAL INDEX

Part	Page	Grid	Part	Page	Grid	Part	Page	Grid	Part	Page	Grid
0251921-3	61	1-C14	0252005-4	57	1-C10	0257410-1	71	1-C24	0909419-4	255	1-K16
0251922-1	61	1-C14	0252006-2	57	1-C10	0257421-8	71	1-C24	0910002-5	103	1-E 8
0251923-9	59	1-C12	0252007-0	57	1-C10	0257426-7	65	1-C18	0910141-1	63	1-C16
0251923-9	61	1-C14	0252008-8	57	1-C10	0257426-7	67	1-C20	0910161-9	63	1-C16
0251924-7	57	1-C10	0252010-4	57	1-C10	0257463-0	21	1-A22	0910243-5	73	1-D 2
0251925-4	57	1-C10	0252013-8	57	1-C10	0257463-0	45	1-B22	0910279-9	63	1-C16
0251926-2	57	1-C10	0252014-6	61	1-C14	0257777-3	25	1-B 2	0910287-2	35	1-B12
0251927-0	57	1-C10	0252015-3	61	1-C14	0257778-1	25	1-B 2	0911041-2	117	1-E22
0251928-8	57	1-C10	0252016-1	57	1-C10	0258627-9	153	1-G10	0911048-7	125	1-F 6
0251928-8	59	1-C12	0252017-9	57	1-C10	0258710-3	143	1-F24	0911169-1	39	1-B16
0251929-6	61	1-C14	0252019-5	67	1-C20	0258715-2	145	1-G 2	0911325-9	163	1-G20
0251930-4	61	1-C14	0252020-3	67	1-C20	0258716-0	145	1-G 2	0911435-6	65	1-C18
0251932-0	61	1-C14	0252022-9	67	1-C20	0261441-0	77	1-D 6	0911841-5	43	1-B20
0251933-8	61	1-C14	0252023-7	67	1-C20	0262166-2	81	1-D10	0912064-3	43	1-B20
0251934-6	61	1-C14	0252024-5	67	1-C20	0262167-0	81	1-D10	0912298-7	149	1-G 6
0251935-3	61	1-C14	0252025-2	67	1-C20	0262168-8	81	1-D10	0912367-0	43	1-B20
0251936-1	61	1-C14	0252026-0	67	1-C20	0262169-6	81	1-D10	0912415-7	55	1-C 8
0251937-9	61	1-C14	0252028-6	67	1-C20	0262170-4	81	1-D10	0912592-3	25	1-B 2
0251941-1	61	1-C14	0252042-7	79	1-D 8	0262753-7	81	1-D10	0912624-4	139	1-F20
0251942-9	59	1-C12	0252047-6	69	1-C22	0262754-5	81	1-D10	0912726-7	111	1-E16
0251943-7	59	1-C12	0252048-4	69	1-C22	0262755-2	81	1-D10	0913105-3	199	1- I 8
0251944-5	59	1-C12	0252049-2	69	1-C22	0262756-0	81	1-D10	0913160-8	127	1-F 8
0251945-2	59	1-C12	0252051-8	69	1-C22	0262757-8	81	1-D10	0913744-9	133	1-F14
0251946-0	59	1-C12	0252052-6	69	1-C22	0262758-6	81	1-D10	0913901-5	37	1-B14
0251948-6	59	1-C12	0252053-4	69	1-C22	0266423-3	113	1-E18	0914120-1	227	1-J12
0251949-4	57	1-C10	0252444-5	73	1-D 2	0266424-1	113	1-E18	0914192-0	73	1-D 2
0251950-2	57	1-C10	0252471-8	137	1-F18	0269925-4	87	1-D16	0914488-2	191	1-H24
0251951-0	57	1-C10	0253011-1	139	1-F20	0269926-2	87	1-D16	0914670-5	75	1-D 4
0251952-8	57	1-C10	0253270-3	27	1-B 4	0271018-4	153	1-G10	0914929-5	161	1-G18
0251952-8	59	1-C12	0253320-6	77	1-D 6	0271319-6	145	1-G 2	0915315-6	195	1- I 4
0251953-6	59	1-C12	0253320-6	241	1-K 2	0271322-0	145	1-G 2	0915399-0	75	1-D 4
0251956-9	59	1-C12	0253321-4	77	1-D 6	0271323-8	145	1-G 2	0915763-7	91	1-D20
0251957-7	59	1-C12	0253321-4	241	1-K 2	0271325-3	145	1-G 2	0915792-6	99	1-E 4
0251958-5	59	1-C12	0253537-5	91	1-D20	0271329-5	145	1-G 2	0915815-5	69	1-C22
0251959-3	57	1-C10	0253537-5	247	1-K 8	0271588-6	145	1-G 2	0915904-7	145	1-G 2
0251960-1	57	1-C10	0254489-8	53	1-C 6	0271714-8	61	1-C14	0915971-6	123	1-F 4
0251961-9	57	1-C10	0254490-6	53	1-C 6	0542629-1	141	1-F22	0916080-5	79	1-D 8
0251962-7	59	1-C12	0254491-4	21	1-A22	0611774-1	123	1-F 4	0916081-3	251	1-K12
0251963-5	59	1-C12	0254491-4	23	1-A24	0624641-7	121	1-F 2	0916206-6	39	1-B16
0251964-3	59	1-C12	0254491-4	53	1-C 6	0639073-6	227	1-J12	0916272-8	147	1-G 4
0251965-0	59	1-C12	0254561-4	39	1-B16	0639074-4	227	1-J12	0916382-5	69	1-C22
0251966-8	59	1-C12	0254891-5	55	1-C 8	0640658-1	47	1-B24	0916388-2	41	1-B18
0251967-6	59	1-C12	0254891-5	151	1-G 8	0646631-2	197	1- I 6	0916390-8	75	1-D 4
0251968-4	59	1-C12	0254971-5	23	1-A24	0646631-2	251	1-K12	0916399-9	39	1-B16
0251969-2	59	1-C12	0255018-4	179	1-H12	0694666-9	137	1-F18	0916423-7	195	1- I 4
0251970-0	57	1-C10	0255200-8	51	1-C 4	0900996-0	77	1-D 6	0916532-5	77	1-D 6
0251971-8	57	1-C10	0255432-7	21	1-A22	0901226-1	79	1-D 8	0916602-6	45	1-B22
0251972-6	57	1-C10	0255432-7	65	1-C18	0901310-3	255	1-K16	0916621-6	73	1-D 2
0251973-4	57	1-C10	0255924-3	41	1-B18	0901349-1	213	1- I22	0916622-4	77	1-D 6
0251974-2	57	1-C10	0255939-1	25	1-B 2	0901467-1	63	1-C16	0916650-5	229	1-J14
0251975-9	59	1-C12	0255940-9	25	1-B 2	0901490-3	229	1-J14	0916659-6	137	1-F18
0251976-7	59	1-C12	0255941-7	25	1-B 2	0901492-9	229	1-J14	0916803-0	75	1-D 4
0251977-5	57	1-C10	0255947-4	153	1-G10	0901500-9	55	1-C 8	0916880-8	55	1-C 8
0251977-5	69	1-C22	0256123-1	259	1-K20	0901507-4	211	1- I20	0916950-9	47	1-B24
0251978-3	59	1-C12	0256136-3	51	1-C 4	0901653-6	149	1-G 6	0916951-7	55	1-C 8
0251979-1	59	1-C12	0256141-3	51	1-C 4	0901655-1	255	1-K16	0916964-0	33	1-B10
0251980-9	59	1-C12	0256157-9	259	1-K20	0901678-3	137	1-F18	0916965-7	27	1-B 4
0251981-7	57	1-C10	0256158-7	259	1-K20	0901682-5	149	1-G 6	0916966-5	55	1-C 8
0251983-3	59	1-C12	0256650-3	75	1-D 4	0901702-1	63	1-C16	0917015-0	125	1-F 6
0251984-1	59	1-C12	0256652-5	137	1-F18	0901704-7	137	1-F18	0917356-8	25	1-B 2
0251985-8	59	1-C12	0257231-1	23	1-A24	0901707-0	149	1-G 6	0917362-6	139	1-F20
0251986-6	59	1-C12	0257231-1	71	1-C24	0901708-8	149	1-G 6	0917365-9	55	1-C 8
0251988-2	59	1-C12	0257232-9	63	1-C16	0901716-1	55	1-C 8	0917372-5	85	1-D14
0251989-0	59	1-C12	0257232-9	71	1-C24	0901723-7	229	1-J14	0917373-3	51	1-C 4
0251990-8	59	1-C12	0257233-7	71	1-C24	0901826-8	63	1-C16	0917376-6	75	1-D 4
0251993-2	59	1-C12	0257263-4	65	1-C18	0901828-4	55	1-C 8	0917377-4	257	1-K18
0251994-0	59	1-C12	0257265-9	65	1-C18	0901830-0	149	1-G 6	0917378-2	55	1-C 8
0251995-7	57	1-C10	0257356-6	71	1-C24	0903807-6	73	1-D 2	0917379-0	55	1-C 8
0251996-5	57	1-C10	0257362-4	143	1-F24	0903857-1	109	1-E14	0917385-7	73	1-D 2
0251997-3	57	1-C10	0257365-7	41	1-B18	0904020-5	197	1- I 6	0917388-1	73	1-D 2
0251998-1	57	1-C10	0257377-2	71	1-C24	0905261-4	151	1-G 8	0917389-9	75	1-D 4
0252000-5	57	1-C10	0257381-4	21	1-A22	0905360-4	115	1-E20	0917395-6	73	1-D 2
0252001-3	57	1-C10	0257381-4	25	1-B 2	0905845-4	29	1-B 6	0917421-0	49	1-C 2
0252002-1	57	1-C10	0257402-8	33	1-B10	0906938-6	55	1-C 8	0917425-1	25	1-B 2
0252003-9	57	1-C10	0257409-3	71	1-C24	0907675-3	163	1-G20	0917448-3	77	1-D 6

714B & 715B TRACTORS

9

NUMERICAL INDEX

Part	Page	Grid	Part	Page	Grid	Part	Page	Grid	Part	Page	Grid
0917452-5	263	1-K24	0920990-9	99	1-E 4	0922887-5	139	1-F20	0925238-8	229	1-J14
0917579-5	105	1-E10	0921024-6	133	1-F14	0922918-8	75	1-D 4	0925257-8	163	1-G20
0917642-1	49	1-C 2	0921139-2	99	1-E 4	0922981-6	147	1-G 4	0925450-9	129	1-F10
0917644-7	193	1- I 2	0921176-4	155	1-G12	0922996-4	149	1-G 6	0925615-7	73	1-D 2
0917647-0	133	1-F14	0921203-6	179	1-H12	0923002-0	193	1- I 2	0925617-3	55	1-C 8
0917663-7	207	1- I16	0921204-4	169	1-H 2	0923080-6	193	1- I 2	0925621-5	137	1-F18
0917776-7	165	1-G22	0921205-1	147	1-G 4	0923087-1	133	1-F14	0925696-7	149	1-G 6
0917835-1	205	1- I14	0921206-9	147	1-G 4	0923093-9	127	1-F 8	0925719-7	87	1-D16
0918199-1	25	1-B 2	0921210-1	55	1-C 8	0923110-1	85	1-D14	0925730-4	179	1-H12
0918241-1	141	1-F22	0921214-3	147	1-G 4	0923111-9	141	1-F22	0925755-1	33	1-B10
0918264-3	73	1-D 2	0921215-0	189	1-H22	0923163-0	255	1-K16	0925836-9	255	1-K16
0918265-0	75	1-D 4	0921217-6	255	1-K16	0923171-3	53	1-C 6	0925872-4	97	1-E 2
0918266-8	47	1-B24	0921228-3	147	1-G 4	0923174-7	147	1-G 4	0925881-5	55	1-C 8
0918268-4	51	1-C 4	0921235-8	169	1-H 2	0923191-1	131	1-F12	0925943-3	171	1-H 4
0918269-2	127	1-F 8	0921279-6	155	1-G12	0923212-5	235	1-J20	0925993-8	183	1-H16
0918403-7	117	1-E22	0921295-2	141	1-F22	0923291-9	239	1-J24	0926018-3	89	1-D18
0918431-8	55	1-C 8	0921325-7	195	1- I 4	0923292-7	199	1- I 8	0926024-1	65	1-C18
0918432-6	99	1-E 4	0921326-5	147	1-G 4	0923300-8	85	1-D14	0926115-7	97	1-E 2
0918448-2	73	1-D 2	0921332-3	85	1-D14	0923310-7	39	1-B16	0926309-6	65	1-C18
0918452-4	125	1-F 6	0921333-1	153	1-G10	0923320-6	211	1- I20	0926535-6	141	1-F22
0918612-3	235	1-J20	0921343-0	183	1-H16	0923325-5	39	1-B16	0926574-5	179	1-H12
0918750-1	201	1- I10	0921349-7	137	1-F18	0923334-7	143	1-F24	0926618-0	169	1-H 2
0918786-5	41	1-B18	0921368-7	193	1- I 2	0923341-2	77	1-D 6	0926620-6	167	1-G24
0918787-3	139	1-F20	0921402-4	155	1-G12	0923352-9	247	1-K 8	0926623-0	141	1-F22
0919063-8	55	1-C 8	0921409-9	137	1-F18	0923360-2	73	1-D 2	0926625-5	177	1-H10
0919064-6	149	1-G 6	0921515-3	25	1-B 2	0923412-1	197	1- I 6	0926627-1	165	1-G22
0919066-1	55	1-C 8	0921691-2	255	1-K16	0923428-7	159	1-G16	0926629-7	163	1-G20
0919089-3	55	1-C 8	0921719-1	117	1-E22	0923519-3	55	1-C 8	0926631-3	163	1-G20
0919128-9	179	1-H12	0921761-3	205	1- I14	0923562-3	193	1- I 2	0926686-1	149	1-G 6
0919205-5	55	1-C 8	0921880-1	75	1-D 4	0923567-2	153	1-G10	0926919-2	253	1-K14
0919206-3	55	1-C 8	0921883-5	255	1-K16	0923571-4	143	1-F24	0927023-2	109	1-E14
0919216-2	255	1-K16	0921885-0	103	1-E 8	0923575-5	141	1-F22	0927057-0	27	1-B 4
0919236-0	205	1- I14	0921886-8	189	1-H22	0923577-1	177	1-H10	0927068-7	41	1-B18
0919262-6	85	1-D14	0921911-4	229	1- I14	0923582-1	177	1-H10	0927103-2	169	1-H 2
0919268-3	147	1-G 4	0921912-2	149	1-G 6	0923646-4	151	1-G 8	0927149-5	85	1-D14
0919287-3	111	1-E16	0921913-0	55	1-C 8	0923649-8	169	1-H 2	0927154-5	203	1- I12
0919332-7	85	1-D14	0921914-8	47	1-B24	0923659-7	163	1-G20	0927155-2	63	1-C16
0919423-4	199	1- I 8	0921915-5	171	1-H 4	0923662-1	227	1-J12	0927163-6	171	1-H 4
0919426-7	247	1-K 8	0921958-5	35	1-B12	0923664-7	167	1-G24	0927187-5	75	1-D 4
0919431-7	119	1-E24	0921960-1	89	1-D18	0923683-7	133	1-F14	0927247-7	171	1-H 4
0919439-0	91	1-D20	0921963-5	223	1- J 8	0923684-5	141	1-F22	0927261-8	197	1- I 6
0919442-4	139	1-F20	0921965-0	115	1-E20	0923701-7	91	1-D20	0927342-6	45	1-B22
0919620-5	155	1-G12	0921966-8	115	1-E20	0923717-3	179	1-H12	0927537-1	151	1-G 8
0919624-7	255	1-K16	0921967-6	131	1-F12	0923732-2	29	1-B 6	0927655-1	169	1-H 2
0919625-4	255	1-K16	0921969-2	47	1-B24	0923814-8	163	1-G20	0927672-6	179	1-H12
0919767-4	63	1-C16	0921971-8	75	1-D 4	0923816-3	165	1-G22	0927693-2	211	1- I20
0920117-9	127	1-F 8	0921972-6	129	1-F10	0923817-1	109	1-E14	0927704-7	141	1-F22
0920161-7	79	1-D 8	0921973-4	219	1- J 4	0923842-9	189	1-H22	0927780-7	223	1- J 8
0920168-2	75	1-D 4	0921978-3	255	1-K16	0923946-8	193	1- I 2	0927927-4	41	1-B18
0920169-0	229	1- J14	0921984-1	75	1-D 4	0923947-6	259	1-K20	0928179-1	87	1-D16
0920240-9	77	1-D 6	0921985-8	43	1-B20	0923970-8	119	1-E24	0928212-0	101	1-E 6
0920241-7	73	1-D 2	0921986-6	53	1-C 6	0924003-7	105	1-E10	0928219-5	73	1-D 2
0920262-3	51	1-C 4	0921987-4	69	1-C22	0924023-5	147	1-G 4	0928380-5	25	1-B 2
0920263-1	39	1-B16	0921991-6	147	1-G 4	0924044-1	255	1-K16	0928509-9	149	1-G 6
0920326-6	101	1-E 6	0922002-1	133	1-F14	0924121-7	133	1-F14	0928656-8	193	1- I 2
0920328-2	75	1-D 4	0922007-0	223	1- J 8	0924135-7	165	1-G22	0928859-8	123	1-F 4
0920352-2	35	1-B12	0922121-9	227	1- J12	0924187-8	163	1-G20	0929141-0	91	1-D20
0920356-3	141	1-F22	0922130-0	197	1- I 6	0924191-0	193	1- I 2	0929163-4	121	1-F 2
0920397-7	73	1-D 2	0922195-3	147	1-G 4	0924198-5	195	1- I 4	0929394-5	41	1-B18
0920415-7	179	1-H12	0922304-1	99	1-E 4	0924296-7	155	1-G12	0929585-8	73	1-D 2
0920427-2	111	1-E16	0922457-7	137	1-F18	0924332-0	73	1-D 2	0929722-7	235	1- J20
0920428-0	85	1-D14	0922471-8	125	1-F 6	0924361-9	131	1-F12	0929810-0	89	1-D18
0920437-1	73	1-D 2	0922472-6	195	1- I 4	0924459-1	95	1-D24	0929834-0	119	1-E24
0920438-9	73	1-D 2	0922484-1	41	1-B18	0924681-0	239	1- J24	0929835-7	121	1-F 2
0920611-1	51	1-C 4	0922507-9	137	1-F18	0924742-0	139	1-F20	0929837-3	119	1-E24
0920622-8	73	1-D 2	0922522-8	137	1-F18	0924770-1	177	1-H10	0929838-1	123	1-F 4
0920623-6	41	1-B18	0922523-6	179	1-H12	0924923-6	163	1-G20	0929839-9	123	1-F 4
0920637-6	73	1-D 2	0922586-3	111	1-E16	0925003-6	223	1- J 8	0929840-7	123	1-F 4
0920676-4	121	1-F 2	0922645-7	155	1-G12	0925018-4	197	1- I 6	0929841-5	123	1-F 4
0920693-9	179	1-H12	0922664-8	123	1-F 4	0925040-8	73	1-D 2	0929842-3	121	1-F 2
0920701-0	41	1-B18	0922679-6	87	1-D16	0925042-4	215	1- I24	0929865-4	149	1-G 6
0920747-3	247	1-K 8	0922698-6	73	1-D 2	0925056-4	149	1-G 6	0929906-6	79	1-D 8
0920787-9	35	1-B12	0922711-7	227	1- J12	0925057-2	149	1-G 6	0929957-9	133	1-F14
0920801-8	55	1-C 8	0922739-8	147	1-G 4	0925094-5	73	1-D 2	0930201-9	43	1-B20
0920805-9	63	1-C16	0922792-7	157	1-G14	0925205-7	87	1-D16	0930328-0	167	1-G24

NUMERICAL INDEX

Part	Page	Grid	Part	Page	Grid	Part	Page	Grid	Part	Page	Grid
0930547-5	73	1-D 2	1002971-8	111	1-E16	1005145-6	61	1-C14	1007036-5	113	1-E18
0930733-1	153	1-G10	1002972-6	111	1-E16	1005165-4	59	1-C12	1007069-6	141	1-F22
0930765-3	167	1-G24	1002973-4	111	1-E16	1005167-0	57	1-C10	1007070-4	141	1-F22
0930871-9	75	1-D 4	1002976-7	115	1-E20	1005169-6	57	1-C10	1007071-2	141	1-F22
0930917-0	139	1-F20	1002984-1	101	1-E 6	1005170-4	57	1-C10	1007246-0	113	1-E18
0930983-2	49	1-C 2	1002984-1	111	1-E16	1005171-2	57	1-C10	1007379-9	115	1-E20
0931404-8	143	1-F24	1002986-6	111	1-E16	1005173-8	59	1-C12	1007417-7	63	1-C16
0931584-7	189	1-H22	1003219-1	91	1-D20	1005173-8	61	1-C14	1007501-8	151	1-G 8
0931645-6	73	1-D 2	1003305-8	77	1-D 6	1005233-0	51	1-C 4	1007666-9	27	1-B 4
0931894-0	141	1-F22	1003417-1	91	1-D20	1005350-2	99	1-E 4	1007668-5	25	1-B 2
0935047-1	189	1-H22	1003417-1	251	1-K12	1005516-8	55	1-C 8	1007671-9	33	1-B10
0935084-4	147	1-G 4	1003528-5	93	1-D22	1005517-6	55	1-C 8	1007673-5	39	1-B16
0950019-0	75	1-D 4	1003580-6	139	1-F20	1005724-8	233	1-J18	1007674-3	39	1-B16
0950209-7	75	1-D 4	1003580-6	141	1-F22	1006174-5	139	1-F20	1007675-0	39	1-B16
1000065-1	163	1-G20	1003604-4	141	1-F22	1006175-2	139	1-F20	1007680-0	69	1-C22
1000065-1	165	1-G22	1003674-7	79	1-D 8	1006176-0	139	1-F20	1007682-6	69	1-C22
1000085-9	165	1-G22	1004080-6	91	1-D20	1006177-8	139	1-F20	1007684-2	69	1-C22
1000085-9	195	1-I 4	1004080-6	203	1-I12	1006207-3	101	1-E 6	1007687-5	65	1-C18
1000090-9	165	1-G22	1004099-6	177	1-H10	1006207-3	103	1-E 8	1007707-1	75	1-D 4
1000094-1	165	1-G22	1004099-6	201	1-I10	1006329-5	117	1-E22	1007707-1	241	1-K 2
1000107-1	165	1-G22	1004100-2	163	1-G20	1006353-5	139	1-F20	1007824-4	77	1-D 6
1000176-6	165	1-G22	1004100-2	167	1-G24	1006360-0	73	1-D 2	1007828-5	77	1-D 6
1000177-4	165	1-G22	1004100-2	199	1-I 8	1006360-0	255	1-K16	1007838-4	229	1-J14
1000407-5	163	1-G20	1004100-2	203	1-I12	1006399-8	85	1-D14	1007838-4	267	1-L 4
1000455-4	163	1-G20	1004100-2	205	1-I14	1006400-4	85	1-D14	1007839-2	233	1-J18
1000485-1	183	1-H16	1004292-7	63	1-C16	1006400-4	97	1-E 2	1007854-1	95	1-D24
1000485-1	185	1-H18	1004338-8	117	1-E22	1006536-5	101	1-E 6	1007858-2	77	1-D 6
1000485-1	187	1-H20	1004339-6	117	1-E22	1006605-8	77	1-D 6	1007863-2	63	1-C16
1000495-0	183	1-H16	1004339-6	207	1-I16	1006644-7	75	1-D 4	1007948-1	25	1-B 2
1000495-0	185	1-H18	1004339-6	209	1-I18	1006649-6	83	1-D12	1007958-0	41	1-B18
1000495-0	187	1-H20	1004412-1	97	1-E 2	1006649-6	85	1-D14	1007962-2	67	1-C20
1000620-3	163	1-G20	1004733-0	177	1-H10	1006649-6	97	1-E 2	1007966-3	67	1-C20
1000620-3	165	1-G22	1004734-8	165	1-G22	1006747-8	115	1-E20	1007977-0	55	J-C 8
1000622-9	163	1-G20	1004734-8	177	1-H10	1006749-4	115	1-E20	1008001-8	119	1-E24
1000622-9	165	1-G22	1004734-8	205	1-I14	1006750-2	115	1-E20	1008008-3	117	1-E22
1000856-3	199	1-I 8	1005008-6	25	1-B 2	1006751-0	115	1-E20	1008009-1	75	1-D 4
1000913-2	165	1-G22	1005011-0	35	1-B12	1006752-8	113	1-E18	1008012-5	75	1-D 4
1000970-2	183	1-H16	1005012-8	35	1-B12	1006753-6	113	1-E18	1008012-5	79	1-D 8
1000970-2	185	1-H18	1005016-9	35	1-B12	1006754-4	115	1-E20	1008013-3	139	1-F20
1000970-2	187	1-H20	1005020-1	27	1-B 4	1006755-1	113	1-E18	1008018-2	201	1-I10
1000971-0	183	1-H16	1005021-9	27	1-B 4	1006756-9	115	1-E20	1008020-8	91	1-D20
1000971-0	185	1-H18	1005022-7	27	1-B 4	1006757-7	113	1-E18	1008020-8	167	1-G24
1000971-0	187	1-H20	1005030-0	33	1-B10	1006758-5	113	1-E18	1008023-2	77	1-D 6
1000974-4	183	1-H16	1005033-4	23	1-A24	1006762-7	115	1-E20	1008024-0	87	1-D16
1000974-4	185	1-H18	1005033-4	41	1-B18	1006764-3	115	1-E20	1008046-3	57	1-C10
1000974-4	187	1-H20	1005037-5	75	1-D 4	1006765-0	115	1-E20	1008047-1	59	1-C12
1001076-7	141	1-F22	1005040-9	39	1-B16	1006767-6	113	1-E18	1008049-7	59	1-C12
1001082-5	177	1-H10	1005045-8	39	1-B16	1006768-4	113	1-E18	1008127-1	199	1-I 8
1001083-3	177	1-H10	1005046-6	39	1-B16	1006769-2	113	1-E18	1008134-7	199	1-I 8
1001100-5	177	1-H10	1005047-4	39	1-B16	1006772-6	113	1-E18	1008139-6	199	1-I 8
1001115-3	91	1-D20	1005048-2	39	1-B16	1006774-2	113	1-E18	1008140-4	199	1-I 8
1001115-3	139	1-F20	1005049-0	39	1-B16	1006775-9	115	1-E20	1008140-4	205	1-I14
1001115-3	201	1-I10	1005050-8	39	1-B16	1006776-7	115	1-E20	1008143-8	155	1-G12
1001115-3	215	1-I24	1005051-6	39	1-B16	1006777-5	115	1-E20	1008143-8	255	1-K16
1001137-7	91	1-D20	1005052-4	39	1-B16	1006782-5	115	1-E20	1008144-6	131	1-F12
1001137-7	205	1-I14	1005053-2	39	1-B16	1006783-3	115	1-E20	1008165-1	201	1-I10
1001137-7	215	1-I24	1005054-0	39	1-B16	1006784-1	115	1-E20	1008168-5	147	1-G 4
1001394-4	165	1-G22	1005055-7	23	1-A24	1006787-4	113	1-E18	1008168-5	155	1-G12
1001637-6	199	1-I 8	1005055-7	39	1-B16	1006788-2	113	1-E18	1008181-8	167	1-G24
1001637-6	201	1-I10	1005057-3	39	1-B16	1006790-8	113	1-E18	1008181-8	201	1-I10
1001637-6	203	1-I12	1005060-7	31	1-B 8	1006794-0	113	1-E18	1008182-6	169	1-H 2
1001637-6	215	1-I24	1005061-5	31	1-B 8	1006795-7	115	1-E20	1008183-4	167	1-G24
1002203-6	267	1-L 4	1005065-6	29	1-B 6	1006798-1	115	1-E20	1008188-3	167	1-G24
1002266-3	199	1-I 8	1005067-2	29	1-B 6	1006799-9	115	1-E20	1008189-1	167	1-G24
1002370-3	21	1-A22	1005071-4	69	1-C22	1006801-3	115	1-E20	1008190-9	167	1-G24
1002370-3	27	1-B 4	1005072-2	69	1-C22	1006806-2	113	1-E18	1008191-7	167	1-G24
1002539-3	159	1-G16	1005072-2	241	1-K 2	1006813-8	45	1-B22	1008192-5	167	1-G24
1002675-5	155	1-G12	1005073-0	69	1-C22	1006882-3	115	1-E20	1008193-3	167	1-G24
1002675-5	193	1-I 2	1005073-0	241	1-K 2	1006969-8	73	1-D 2	1008194-1	169	1-H 2
1002846-2	135	1-F16	1005074-8	41	1-B18	1006969-8	255	1-K16	1008195-8	169	1-H 2
1002887-6	235	1-J20	1005074-8	69	1-C22	1006986-2	117	1-E22	1008196-6	169	1-H 2
1002888-4	227	1-J12	1005076-3	69	1-C22	1007032-4	113	1-E18	1008197-4	169	1-H 2
1002888-4	235	1-J20	1005077-1	69	1-C22	1007033-2	113	1-E18	1008198-2	169	1-H 2
1002963-5	103	1-E 8	1005096-1	23	1-A24	1007034-0	113	1-E18	1008199-0	169	1-H 2
1002969-2	111	1-E16	1005106-8	23	1-A24	1007035-7	113	1-E18	1008200-6	169	1-H 2

NUMERICAL INDEX

Part	Page	Grid	Part	Page	Grid	Part	Page	Grid	Part	Page	Grid
1008201-4	169	1-H 2	1008501-7	119	1-E24	1008596-7	121	1-F 2	1009265-8	207	1- I16
1008215-4	163	1-G20	1008502-5	119	1-E24	1008598-3	119	1-E24	1009265-8	209	1- I18
1008216-2	163	1-G20	1008503-3	119	1-E24	1008672-6	239	1-J24	1009265-8	217	1- J 2
1008217-0	163	1-G20	1008504-1	119	1-E24	1008679-1	135	1-F16	1009277-3	75	1-D 4
1008220-4	163	1-G20	1008505-8	119	1-E24	1008682-5	177	1-H10	1009278-1	77	1-D 6
1008235-2	195	1- I 4	1008506-6	119	1-E24	1008683-3	177	1-H10	1009279-9	241	1-K 2
1008235-2	205	1- I14	1008508-2	119	1-E24	1008684-1	177	1-H10	1009283-1	77	1-D 6
1008239-4	195	1- I 4	1008509-0	119	1-E24	1008688-2	177	1-H10	1009289-8	43	1-B20
1008239-4	205	1- I14	1008510-8	119	1-E24	1008697-3	135	1-F16	1009326-8	149	1-G 6
1008243-6	195	1- I 4	1008511-6	119	1-E24	1008728-6	55	1-C 8	1009345-8	237	1-J22
1008243-6	199	1- I 8	1008512-4	119	1-E24	1008731-0	55	1-C 8	1009346-6	237	1-J22
1008243-6	203	1- I12	1008513-2	119	1-E24	1008797-1	133	1-F14	1009357-3	237	1-J22
1008243-6	205	1- I14	1008514-0	119	1-E24	1008840-9	179	1-H12	1009371-4	149	1-G 6
1008244-4	73	1-D 2	1008515-7	123	1-F 4	1008840-9	197	1- I 6	1009411-8	153	1-G10
1008244-4	77	1-D 6	1008516-5	123	1-F 4	1008874-8	215	1- I24	1009413-4	153	1-G10
1008245-1	195	1- I 4	1008518-1	123	1-F 4	1008874-8	239	1-J24	1009415-9	153	1-G10
1008245-1	205	1- I14	1008518-1	125	1-F 6	1008875-5	215	1- I24	1009416-7	153	1-G10
1008248-5	203	1- I12	1008519-9	123	1-F 4	1008875-5	239	1-J24	1009417-5	153	1-G10
1008249-3	203	1- I12	1008519-9	125	1-F 6	1008876-3	215	1- I24	1009419-1	153	1-G10
1008250-1	193	1- I 2	1008520-7	123	1-F 4	1008878-9	201	1- I10	1009420-9	153	1-G10
1008250-1	203	1- I12	1008521-5	125	1-F 6	1008888-8	167	1-G24	1009421-7	153	1-G10
1008251-9	203	1- I12	1008522-3	123	1-F 4	1008892-0	201	1- I10	1009422-5	153	1-G10
1008252-7	203	1- I12	1008523-1	123	1-F 4	1008893-8	201	1- I10	1009423-3	153	1-G10
1008253-5	203	1- I12	1008524-9	123	1-F 4	1008940-7	147	1-G 4	1009424-1	153	1-G10
1008255-0	205	1- I14	1008525-6	123	1-F 4	1008940-7	149	1-G 6	1009430-8	153	1-G10
1008256-8	203	1- I12	1008526-4	123	1-F 4	1008951-4	133	1-F14	1009518-0	171	1-H 4
1008257-6	203	1- I12	1008527-2	123	1-F 4	1008961-3	87	1-D16	1009518-0	173	1-H 6
1008295-6	163	1-G20	1008528-0	123	1-F 4	1008964-7	87	1-D16	1009518-0	179	1-H12
1008296-4	163	1-G20	1008530-6	123	1-F 4	1008964-7	129	1-F10	1009518-0	197	1- I 6
1008297-2	163	1-G20	1008531-4	123	1-F 4	1008970-4	87	1-D16	1009520-6	179	1-H12
1008309-5	139	1-F20	1008532-2	123	1-F 4	1008980-3	129	1-F10	1009526-3	33	1-B10
1008313-7	139	1-F20	1008533-0	123	1-F 4	1008980-3	193	1- I 2	1009626-1	79	1-D 8
1008314-5	139	1-F20	1008534-8	123	1-F 4	1008980-3	197	1- I 6	1009746-7	73	1-D 2
1008350-9	137	1-F18	1008535-5	123	1-F 4	1008980-3	207	1- I16	1009768-1	137	1-F18
1008350-9	141	1-F22	1008536-3	123	1-F 4	1008980-3	209	1- I18	1009875-4	241	1-K 2
1008356-6	141	1-F22	1008537-1	123	1-F 4	1008980-3	217	1- J 2	1009877-0	77	1-D 6
1008357-4	141	1-F22	1008538-9	123	1-F 4	1009013-2	117	1-E22	1009886-1	117	1-E22
1008359-0	141	1-F22	1008539-7	123	1-F 4	1009015-7	117	1-E22	1009938-0	117	1-E22
1008360-8	141	1-F22	1008540-5	123	1-F 4	1009016-5	117	1-E22	1009939-8	117	1-E22
1008361-6	141	1-F22	1008541-3	123	1-F 4	1009017-3	117	1-E22	1009940-6	117	1-E22
1008372-3	177	1-H10	1008542-1	123	1-F 4	1009025-6	131	1-F12	1009950-5	251	1-K12
1008372-3	183	1-H16	1008543-9	123	1-F 4	1009027-2	133	1-F14	1009950-5	261	1-K22
1008372-3	185	1-H18	1008544-7	123	1-F 4	1009028-0	133	1-F14	1009961-2	143	1-F24
1008372-3	187	1-H20	1008544-7	125	1-F 6	1009029-8	133	1-F14	1009961-2	145	1-G 2
1008430-9	55	1-C 8	1008545-4	125	1-F 6	1009030-6	133	1-F14	1009964-6	143	1-F24
1008432-5	99	1-E 4	1008546-2	125	1-F 6	1009031-4	133	1-F14	1009965-3	143	1-F24
1008467-1	119	1-E24	1008547-0	123	1-F 4	1009032-2	133	1-F14	1009967-9	143	1-F24
1008470-5	123	1-F 4	1008547-0	125	1-F 6	1009038-9	133	1-F14	1009968-7	143	1-F24
1008471-3	123	1-F 4	1008548-8	123	1-F 4	1009047-0	149	1-G 6	1010285-3	41	1-B18
1008473-9	121	1-F 2	1008548-8	125	1-F 6	1009053-8	207	1- I16	1010289-5	23	1-A24
1008474-7	121	1-F 2	1008549-6	123	1-F 4	1009053-8	209	1- I18	1010289-5	41	1-B18
1008475-4	119	1-E24	1008550-4	125	1-F 6	1009055-3	207	1- I16	1010290-3	41	1-B18
1008475-4	121	1-F 2	1008551-2	125	1-F 6	1009055-3	209	1- I18	1010292-9	41	1-B18
1008478-8	121	1-F 2	1008552-0	125	1-F 6	1009059-5	197	1- I 6	1010293-7	23	1-A24
1008479-6	121	1-F 2	1008553-8	125	1-F 6	1009059-5	207	1- I16	1010293-7	41	1-B18
1008480-4	121	1-F 2	1008554-6	125	1-F 6	1009059-5	209	1- I18	1010294-5	41	1-B18
1008481-2	121	1-F 2	1008555-3	125	1-F 6	1009060-3	207	1- I16	1010295-2	23	1-A24
1008482-0	121	1-F 2	1008556-1	125	1-F 6	1009060-3	209	1- I18	1010295-2	41	1-B18
1008483-8	121	1-F 2	1008557-9	125	1-F 6	1009060-3	217	1- J 2	1010298-6	27	1-B 4
1008484-6	121	1-F 2	1008558-7	125	1-F 6	1009085-0	91	1-D20	1010300-0	29	1-B 6
1008485-3	121	1-F 2	1008559-5	125	1-F 6	1009098-3	151	1-G 8	1010301-8	39	1-B16
1008486-1	121	1-F 2	1008560-3	125	1-F 6	1009146-0	151	1-G 8	1010305-9	43	1-B20
1008488-7	121	1-F 2	1008561-1	125	1-F 6	1009147-8	151	1-G 8	1010306-7	75	1-D 4
1008489-5	121	1-F 2	1008562-9	121	1-F 2	1009171-8	75	1-D 4	1010308-3	23	1-A24
1008490-3	121	1-F 2	1008563-7	125	1-F 6	1009185-8	47	1-B24	1010309-1	43	1-B20
1008491-1	119	1-E24	1008564-5	123	1-F 4	1009196-5	171	1-H 4	1010310-9	43	1-B20
1008492-9	119	1-E24	1008565-2	123	1-F 4	1009196-5	173	1-H 6	1010312-5	43	1-B20
1008493-7	119	1-E24	1008566-0	123	1-F 4	1009243-5	75	1-D 4	1010313-3	43	1-B20
1008494-5	119	1-E24	1008567-8	123	1-F 4	1009244-3	75	1-D 4	1010314-1	43	1-B20
1008495-2	119	1-E24	1008568-6	123	1-F 4	1009244-3	241	1-K 2	1010315-8	43	1-B20
1008496-0	119	1-E24	1008569-4	123	1-F 4	1009249-2	73	1-D 2	1010316-6	67	1-C20
1008497-8	119	1-E24	1008570-2	123	1-F 4	1009255-9	93	1-D22	1010321-6	235	1-J20
1008498-6	119	1-E24	1008571-0	123	1-F 4	1009261-7	49	1-C 2	1010343-0	227	1- J12
1008499-4	119	1-E24	1008574-4	123	1-F 4	1009263-3	115	1-E20	1010344-8	227	1- J12
1008500-9	119	1-E24	1008595-9	121	1-F 2	1009265-8	129	1-F10	1010365-3	61	1-C14

NUMERICAL INDEX

Part	Page	Grid	Part	Page	Grid	Part	Page	Grid	Part	Page	Grid
1010370-3	61	1-C14	1012682-9	231	1-J16	1015355-9	175	1-H 8	1016761-7	215	1-I24
1010379-4	65	1-C18	1012683-7	231	1-J16	1015355-9	179	1-H12	1016775-7	171	1-H 4
1010379-4	67	1-C20	1012684-5	231	1-J16	1015355-9	189	1-H22	1016775-7	177	1-H10
1010384-4	67	1-C20	1012698-5	21	1-A22	1015356-7	161	1-G18	1016775-7	215	1-I24
1010421-4	65	1-C18	1012698-5	45	1-B22	1015356-7	175	1-H 8	1016782-3	91	1-D20
1010422-2	65	1-C18	1012946-8	229	1-J14	1015356-7	189	1-H22	1016783-1	91	1-D20
1010422-2	69	1-C22	1012949-2	153	1-G10	1015367-4	159	1-G16	1016796-3	77	1-D 6
1010464-4	69	1-C22	1012950-0	119	1-E24	1015368-2	175	1-H 8	1016805-2	251	1-K12
1010465-1	65	1-C18	1012951-8	123	1-F 4	1015369-0	159	1-G16	1016806-0	251	1-K12
1010484-2	25	1-B 2	1012952-6	123	1-F 4	1015370-8	159	1-G16	1016807-8	89	1-D18
1010485-9	41	1-B18	1012956-7	233	1-J18	1015371-6	159	1-G16	1016808-6	89	1-D18
1010486-7	193	1-I 2	1012959-1	233	1-J18	1015373-2	159	1-G16	1016811-0	89	1-D18
1010486-7	197	1-I 6	1013270-2	227	1-J12	1015374-0	159	1-G16	1016812-8	89	1-D18
1010488-3	175	1-H 8	1013271-0	227	1-J12	1015375-7	159	1-G16	1016813-6	251	1-K12
1010489-1	181	1-H14	1013272-8	227	1-J12	1015376-5	159	1-G16	1016819-3	129	1-F10
1010495-8	27	1-B 4	1013273-6	227	1-J12	1015412-8	79	1-D 8	1016820-1	129	1-F10
1010505-4	175	1-H 8	1013274-4	227	1-J12	1015492-0	159	1-G16	1016824-3	129	1-F10
1010506-2	175	1-H 8	1013290-0	139	1-F20	1015493-8	159	1-G16	1016825-0	129	1-F10
1010506-2	181	1-H14	1013290-0	141	1-F22	1015494-6	159	1-G16	1016829-2	129	1-F10
1010508-8	161	1-G18	1013291-8	141	1-F22	1015495-3	159	1-G16	1016830-0	151	1-G 8
1010508-8	175	1-H 8	1013292-6	141	1-F22	1015510-9	195	1-I 4	1016833-4	77	1-D 6
1010508-8	181	1-H14	1013293-4	141	1-F22	1015511-7	195	1-I 4	1016834-2	217	1-J 2
1010510-4	161	1-G18	1013294-2	141	1-F22	1015543-0	25	1-B 2	1016837-5	217	1-J 2
1010510-4	175	1-H 8	1013306-4	77	1-D 6	1015551-3	201	1-I10	1016840-9	163	1-G20
1010510-4	181	1-H14	1013327-0	265	1-L 2	1015555-4	161	1-G18	1016842-5	149	1-G 6
1010511-2	159	1-G16	1013338-7	235	1-J20	1015557-0	159	1-G16	1016858-1	197	1-I 6
1010511-2	161	1-G18	1013338-7	267	1-L 4	1015594-3	37	1-B14	1016862-3	215	1-I24
1010511-2	175	1-H 8	1013425-2	139	1-F20	1015599-2	25	1-B 2	1016863-1	215	1-I24
1010515-3	193	1-I 2	1013432-8	139	1-F20	1015600-8	25	1-B 2	1016865-6	49	1-C 2
1010515-3	197	1-I 6	1013510-1	73	1-D 2	1015703-0	25	1-B 2	1016871-4	171	1-H 4
1010528-6	227	1-J12	1014121-6	37	1-B14	1015772-5	29	1-B 6	1016871-4	173	1-H 6
1010530-2	227	1-J12	1014169-5	267	1-L 4	1015784-0	147	1-G 4	1016872-2	251	1-K12
1010532-8	227	1-J12	1014415-2	77	1-D 6	1015964-8	87	1-D16	1016873-0	251	1-K12
1010539-3	201	1-I10	1014427-7	87	1-D16	1015965-5	87	1-D16	1016874-8	147	1-G 4
1010883-5	55	1-C 8	1014441-8	75	1-D 4	1015967-1	87	1-D16	1016875-5	131	1-F12
1010930-4	135	1-F16	1014441-8	77	1-D 6	1015968-9	87	1-D16	1016878-9	127	1-F 8
1010930-4	141	1-F22	1014475-6	157	1-G14	1015969-7	87	1-D16	1016882-1	131	1-F12
1010930-4	245	1-K 6	1014475-6	197	1-I 6	1015976-2	87	1-D16	1016884-7	149	1-G 6
1010932-0	73	1-D 2	1014497-0	89	1-D18	1016054-7	75	1-D 4	1016885-4	91	1-D20
1010979-1	193	1-I 2	1014621-5	229	1-J14	1016056-2	37	1-B14	1016890-4	73	1-D 2
1010980-9	193	1-I 2	1014622-3	229	1-J14	1016138-8	207	1-I16	1016893-8	89	1-D18
1011638-2	161	1-G18	1014623-1	267	1-L 4	1016142-0	73	1-D 2	1016898-7	149	1-G 6
1011638-2	175	1-H 8	1014629-8	95	1-D24	1016142-0	255	1-K16	1016899-5	149	1-G 6
1011648-1	175	1-H 8	1014633-0	115	1-E20	1016179-2	37	1-B14	1016900-1	149	1-G 6
1011774-5	29	1-B 6	1014635-5	143	1-F24	1016196-6	87	1-D16	1016901-9	149	1-G 6
1012032-7	137	1-F18	1014661-1	77	1-D 6	1016242-8	195	1-I 4	1016902-7	73	1-D 2
1012033-5	179	1-H12	1014662-9	77	1-D 6	1016242-8	211	1-I20	1016903-5	73	1-D 2
1012054-1	71	1-C24	1014664-5	77	1-D 6	1016348-3	35	1-B12	1016906-8	55	1-C 8
1012143-2	127	1-F 8	1014735-3	71	1-C24	1016362-4	153	1-G10	1016909-2	249	1-K10
1012351-1	195	1-I 4	1014749-4	197	1-I 6	1016365-7	113	1-E18	1016909-2	253	1-K14
1012351-1	205	1-I14	1014762-7	99	1-E 4	1016384-8	179	1-H12	1016910-0	149	1-G 6
1012389-1	169	1-H 2	1014842-7	215	1-I24	1016385-5	179	1-H12	1016911-8	197	1-I 6
1012390-9	39	1-B16	1014879-9	51	1-C 4	1016386-3	161	1-G18	1016912-6	203	1-I12
1012464-2	197	1-I 6	1014932-6	29	1-B 6	1016386-3	175	1-H 8	1016913-4	147	1-G 4
1012476-6	157	1-G14	1015044-9	75	1-D 4	1016387-1	159	1-G16	1016914-2	147	1-G 4
1012476-6	255	1-K16	1015114-0	95	1-D24	1016387-1	175	1-H 8	1016915-9	147	1-G 4
1012481-6	157	1-G14	1015115-7	95	1-D24	1016510-8	127	1-F 8	1016917-5	147	1-G 4
1012484-0	127	1-F 8	1015116-5	95	1-D24	1016511-6	127	1-F 8	1016920-9	161	1-G18
1012485-7	127	1-F 8	1015116-5	213	1-I22	1016603-1	121	1-F 2	1016920-9	175	1-H 8
1012504-5	255	1-K16	1015117-3	93	1-D22	1016620-5	201	1-I10	1016920-9	181	1-H14
1012517-7	229	1-J14	1015117-3	247	1-K 8	1016672-6	91	1-D20	1016921-7	149	1-G 6
1012517-7	231	1-J16	1015118-1	93	1-D22	1016673-4	91	1-D20	1016921-7	179	1-H12
1012518-5	229	1-J14	1015119-9	93	1-D22	1016698-1	99	1-E 4	1016922-5	147	1-G 4
1012518-5	261	1-K22	1015144-7	93	1-D22	1016699-9	99	1-E 4	1016922-5	179	1-H12
1012519-3	229	1-J14	1015145-4	93	1-D22	1016702-1	215	1-I24	1016922-5	189	1-H22
1012520-1	257	1-K18	1015147-0	93	1-D22	1016707-0	215	1-I24	1016922-5	255	1-K16
1012529-2	125	1-F 6	1015329-4	91	1-D20	1016713-8	99	1-E 4	1016923-3	137	1-F18
1012530-0	125	1-F 6	1015351-8	161	1-G18	1016716-1	215	1-I24	1016924-1	53	1-C16
1012543-3	63	1-C16	1015351-8	175	1-H 8	1016722-9	91	1-D20	1016925-8	63	1-C16
1012544-1	193	1-I 2	1015351-8	181	1-H14	1016723-7	99	1-E 4	1016926-6	63	1-C16
1012546-6	193	1-I 2	1015352-6	161	1-G18	1016724-5	99	1-E 4	1016927-4	63	1-C16
1012678-7	231	1-J16	1015353-4	161	1-G18	1016758-3	63	1-C16	1016928-2	173	1-H 6
1012679-5	231	1-J16	1015353-4	175	1-H 8	1016760-9	91	1-D20	1016928-2	197	1-I 6
1012680-3	231	1-J16	1015353-4	181	1-H14	1016761-7	173	1-H 6	1016929-0	171	1-H 4
1012681-1	231	1-J16	1015355-9	161	1-G18	1016761-7	177	1-H10	1016929-0	197	1-I 6

NUMERICAL INDEX

Part	Page	Grid	Part	Page	Grid	Part	Page	Grid	Part	Page	Grid
1016930-8	147	1-G 4	1017316-9	207	1-116	1018175-8	103	1-E 8	1018253-3	111	1-E16
1016930-8	179	1-H12	1017316-9	209	1-118	1018176-6	103	1-E 8	1018255-8	101	1-E 6
1016930-8	189	1-H22	1017319-3	133	1-F14	1018177-4	103	1-E 8	1018258-2	109	1-E14
1016931-6	77	1-D 6	1017321-9	129	1-F10	1018178-2	103	1-E 8	1018259-0	109	1-E14
1016932-4	147	1-G 4	1017334-2	97	1-E 2	1018179-0	103	1-E 8	1018260-8	103	1-E 8
1016933-2	93	1-D22	1017338-3	101	1-E 6	1018180-8	103	1-E 8	1018261-6	103	1-E 8
1016934-0	93	1-D22	1017340-9	155	1-G12	1018181-6	103	1-E 8	1018263-2	103	1-E 8
1016935-7	93	1-D22	1017345-8	81	1-D10	1018182-4	103	1-E 8	1018264-0	103	1-E 8
1016936-5	229	1-J14	1017361-5	75	1-D 4	1018183-2	103	1-E 8	1018265-7	103	1-E 8
1016937-3	93	1-D22	1017361-5	81	1-D10	1018184-0	103	1-E 8	1018268-1	105	1-E10
1016938-1	93	1-D22	1017377-1	91	1-D20	1018185-7	103	1-E 8	1018269-9	105	1-E10
1016939-9	93	1-D22	1017900-0	25	1-B 2	1018186-5	105	1-E10	1018270-7	105	1-E10
1016940-7	95	1-D24	1017908-3	63	1-C16	1018187-3	105	1-E10	1018271-5	105	1-E10
1016941-5	95	1-D24	1017913-3	163	1-G20	1018188-1	105	1-E10	1018272-3	105	1-E10
1016941-5	213	1-I22	1017921-6	85	1-D14	1018189-9	105	1-E10	1018274-9	103	1-E 8
1016943-1	143	1-F24	1017921-6	97	1-E 2	1018191-5	105	1-E10	1018275-6	103	1-E 8
1016948-0	97	1-E 2	1017922-4	77	1-D 6	1018192-3	105	1-E10	1018276-4	109	1-E14
1016950-6	205	1-I14	1017922-4	253	1-K14	1018193-1	105	1-E10	1018277-2	109	1-E14
1016951-4	133	1-F14	1017944-8	89	1-D18	1018194-9	105	1-E10	1018278-0	103	1-E 8
1016955-5	25	1-B 2	1017945-5	89	1-D18	1018195-6	105	1-E10	1018279-8	105	1-E10
1016956-3	173	1-H 6	1017947-1	75	1-D 4	1018196-4	105	1-E10	1018281-4	105	1-E10
1016957-1	171	1-H 4	1017947-1	77	1-D 6	1018197-2	105	1-E10	1018282-2	105	1-E10
1016966-2	223	1-J 8	1017954-7	89	1-D18	1018198-0	105	1-E10	1018283-0	105	1-E10
1016973-8	105	1-E10	1017960-4	91	1-D20	1018199-8	105	1-E10	1018310-1	241	1-K 2
1017029-8	113	1-E18	1017962-0	137	1-F18	1018200-4	105	1-E10	1018332-5	253	1-K14
1017123-9	241	1-K 2	1017968-7	55	1-C 8	1018201-2	105	1-E10	1018349-9	253	1-K14
1017126-2	241	1-K 2	1017969-5	101	1-E 6	1018202-0	103	1-E 8	1018361-4	253	1-K14
1017128-8	241	1-K 2	1017969-5	111	1-E16	1018203-8	103	1-E 8	1018363-0	253	1-K14
1017129-6	241	1-K 2	1017975-2	91	1-D20	1018203-8	107	1-E12	1018364-8	249	1-K10
1017182-5	31	1-B 8	1017976-0	91	1-D20	1018204-6	103	1-E 8	1018366-3	197	1-I 6
1017185-8	67	1-C20	1017996-8	133	1-F14	1018205-3	105	1-E10	1018367-1	197	1-I 6
1017186-6	27	1-B 4	1017998-4	133	1-F14	1018206-1	107	1-E12	1018369-7	197	1-I 6
1017187-4	27	1-B 4	1017999-2	133	1-F14	1018208-7	107	1-E12	1018372-1	249	1-K10
1017188-2	27	1-B 4	1018009-9	193	1-I 2	1018209-5	107	1-E12	1018373-9	249	1-K10
1017191-6	51	1-C 4	1018010-7	193	1-I 2	1018210-3	105	1-E10	1018374-7	197	1-I 6
1017192-4	51	1-C 4	1018011-5	93	1-D22	1018211-1	107	1-E12	1018375-4	69	1-C22
1017193-2	51	1-C 4	1018019-8	103	1-E 8	1018212-9	107	1-E12	1018376-2	197	1-I 6
1017196-5	41	1-B18	1018021-4	63	1-C16	1018213-7	107	1-E12	1018378-8	197	1-I 6
1017199-9	69	1-C22	1018023-0	205	1-I14	1018214-5	107	1-E12	1018379-6	69	1-C22
1017243-5	91	1-D20	1018025-5	251	1-K12	1018215-2	107	1-E12	1018380-4	69	1-C22
1017244-3	137	1-F18	1018026-3	251	1-K12	1018216-0	107	1-E12	1018383-8	245	1-K 6
1017246-8	215	1-I24	1018027-1	161	1-G18	1018217-8	107	1-E12	1018386-1	27	1-B 4
1017247-6	215	1-I24	1018027-1	175	1-H 8	1018218-6	107	1-E12	1018399-4	131	1-F12
1017248-4	165	1-G22	1018028-9	175	1-H 8	1018219-4	107	1-E12	1018400-0	131	1-F12
1017248-4	199	1-I 8	1018029-7	159	1-G16	1018220-2	107	1-E12	1018401-8	131	1-F12
1017253-4	75	1-D 4	1018030-5	149	1-G 6	1018221-0	107	1-E12	1018407-5	69	1-C22
1017265-8	155	1-G12	1018031-3	149	1-G 6	1018222-8	107	1-E12	1018409-1	69	1-C22
1017266-6	137	1-F18	1018032-1	63	1-C16	1018224-4	107	1-E12	1018413-3	67	1-C20
1017266-6	147	1-G 4	1018036-2	149	1-G 6	1018225-1	107	1-E12	1018415-8	57	1-C10
1017266-6	149	1-G 6	1018036-2	193	1-I 2	1018226-9	107	1-E12	1018443-0	149	1-G 6
1017266-6	189	1-H22	1018037-0	167	1-G24	1018227-7	107	1-E12	1018444-8	149	1-G 6
1017275-7	151	1-G 8	1018046-1	153	1-G10	1018228-5	107	1-E12	1018476-0	219	1-J 4
1017280-7	55	1-C 8	1018145-1	95	1-D24	1018229-3	111	1-E16	1018479-4	225	1-J10
1017284-9	165	1-G22	1018151-9	101	1-E 6	1018230-1	107	1-E12	1018480-2	225	1-J10
1017285-6	91	1-D20	1018152-7	103	1-E 8	1018231-9	107	1-E12	1018559-3	41	1-B18
1017286-4	55	1-C 8	1018153-5	103	1-E 8	1018232-7	107	1-E12	1018560-1	179	1-H12
1017286-4	91	1-D20	1018154-3	103	1-E 8	1018233-5	107	1-E12	1018561-9	247	1-K 8
1017291-4	177	1-H10	1018155-0	103	1-E 8	1018234-3	107	1-E12	1018562-7	247	1-K 8
1017292-2	177	1-H10	1018155-0	109	1-E14	1018235-0	107	1-E12	1018568-4	247	1-K 8
1017293-0	177	1-H10	1018156-8	103	1-E 8	1018236-8	107	1-E12	1018570-0	247	1-K 8
1017294-8	177	1-H10	1018157-6	103	1-E 8	1018237-6	103	1-E 8	1018571-8	247	1-K 8
1017296-3	89	1-D18	1018158-4	103	1-E 8	1018238-4	109	1-E14	1018571-8	255	1-K16
1017296-3	213	1-I22	1018159-2	103	1-E 8	1018239-2	109	1-E14	1018573-4	247	1-K 8
1017300-3	89	1-D18	1018160-0	103	1-E 8	1018240-0	109	1-E14	1018594-0	179	1-H12
1017300-3	213	1-I22	1018161-8	103	1-E 8	1018241-8	109	1-E14	1018596-5	179	1-H12
1017301-1	207	1-I16	1018162-6	103	1-E 8	1018242-6	109	1-E14	1018600-5	27	1-B 4
1017301-1	209	1-I18	1018163-4	103	1-E 8	1018243-4	109	1-E14	1018602-1	41	1-B18
1017302-9	207	1-I16	1018164-2	103	1-E 8	1018244-2	113	1-E18	1018603-9	41	1-B18
1017303-7	207	1-I16	1018166-7	103	1-E 8	1018245-9	109	1-E14	1018604-7	41	1-B18
1017303-7	209	1-I18	1018167-5	103	1-E 8	1018246-7	103	1-E 8	1018606-2	41	1-B18
1017307-8	147	1-G 4	1018168-3	103	1-E 8	1018247-5	109	1-E14	1018607-0	29	1-B 6
1017307-8	149	1-G 6	1018169-1	103	1-E 8	1018248-3	109	1-E14	1018608-8	43	1-B20
1017307-8	159	1-G16	1018170-9	103	1-E 8	1018249-1	109	1-E14	1018609-6	53	1-C 6
1017310-2	163	1-G20	1018171-7	103	1-E 8	1018251-7	109	1-E14	1018610-4	53	1-C 6
1017315-1	207	1-I16	1018172-5	103	1-E 8	1018253-3	101	1-E 6	1018611-2	43	1-B20

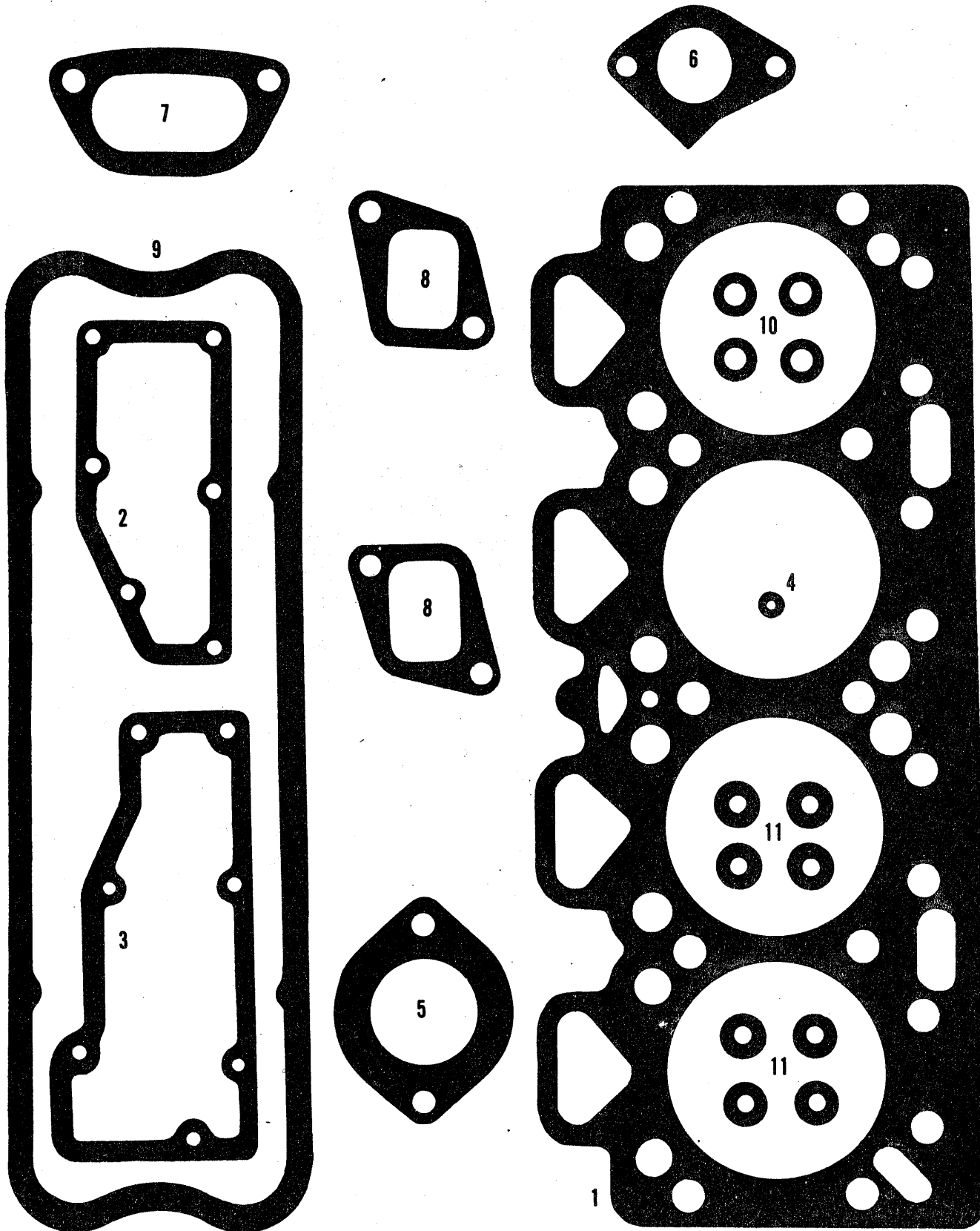
NUMERICAL INDEX

Part	Page	Grid	Part	Page	Grid	Part	Page	Grid	Part	Page	Grid
1018612-0	43	1-B20	1018742-5	221	1-J 6	1019066-8	211	1- I20	1019334-0	223	1-J 8
1018613-8	43	1-B20	1018743-3	221	1-J 6	1019068-4	211	1- I20	1019335-7	223	1-J 8
1018614-6	43	1-B20	1018744-1	219	1-J 4	1019069-2	191	1-H24	1019336-5	223	1-J 8
1018615-3	43	1-B20	1018747-4	219	1-J 4	1019070-0	191	1-H24	1019337-3	223	1-J 8
1018616-1	43	1-B20	1018748-2	219	1-J 4	1019071-8	191	1-H24	1019338-1	223	1-J 8
1018617-9	43	1-B20	1018749-0	219	1-J 4	1019072-6	191	1-H24	1019339-9	223	1-J 8
1018618-7	67	1-C20	1018750-8	219	1-J 4	1019073-4	191	1-H24	1019340-7	225	1-J10
1018619-5	67	1-C20	1018751-6	221	1-J 6	1019074-2	191	1-H24	1019341-5	225	1-J10
1018620-3	67	1-C20	1018752-4	221	1-J 6	1019075-9	191	1-H24	1019342-3	225	1-J10
1018621-1	147	1-G 4	1018753-2	221	1-J 6	1019076-7	191	1-H24	1019343-1	225	1-J10
1018622-9	147	1-G 4	1018754-0	221	1-J 6	1019077-5	191	1-H24	1019344-9	225	1-J10
1018622-9	149	1-G 6	1018755-7	219	1-J 4	1019078-3	191	1-H24	1019345-6	225	1-J10
1018622-9	157	1-G14	1018756-5	219	1-J 4	1019079-1	191	1-H24	1019346-4	225	1-J10
1018622-9	161	1-G18	1018757-3	219	1-J 4	1019080-9	211	1- I20	1019347-2	225	1-J10
1018623-7	147	1-G 4	1018758-1	219	1-J 4	1019081-7	211	1- I20	1019348-0	225	1-J10
1018623-7	149	1-G 6	1018759-9	221	1-J 6	1019082-5	211	1- I20	1019349-8	225	1-J10
1018623-7	171	1-H 4	1018760-7	221	1-J 6	1019083-3	211	1- I20	1019350-6	225	1-J10
1018623-7	173	1-H 6	1018761-5	221	1-J 6	1019084-1	211	1- I20	1019351-4	225	1-J10
1018623-7	175	1-H 8	1018762-3	221	1-J 6	1019085-8	211	1- I20	1019352-2	223	1-J 8
1018623-7	189	1-H22	1018763-1	221	1-J 6	1019103-9	181	1-H14	1019353-0	223	1-J 8
1018624-5	161	1-G18	1018764-9	221	1-J 6	1019104-7	181	1-H14	1019358-9	223	1-J 8
1018624-5	175	1-H 8	1018765-6	221	1-J 6	1019105-4	181	1-H14	1019360-5	223	1-J 8
1018625-2	161	1-G18	1018766-4	219	1-J 4	1019106-2	181	1-H14	1019361-3	223	1-J 8
1018625-2	193	1- I 2	1018766-4	221	1-J 6	1019143-5	205	1- I14	1019362-1	223	1-J 8
1018627-8	161	1-G18	1018767-2	221	1-J 6	1019144-3	55	1-C 8	1019363-9	223	1-J 8
1018627-8	175	1-H 8	1018768-0	221	1-J 6	1019145-0	55	1-C 8	1019364-7	223	1-J 8
1018627-8	181	1-H14	1018769-8	221	1-J 6	1019146-8	219	1-J 4	1019365-4	223	1-J 8
1018628-6	161	1-G18	1018770-6	219	1-J 4	1019152-6	145	1-G 2	1019366-2	223	1-J 8
1018629-4	161	1-G18	1018770-6	225	1-J10	1019153-4	145	1-G 2	1019367-0	223	1-J 8
1018629-4	175	1-H 8	1018771-4	221	1-J 6	1019154-2	145	1-G 2	1019368-8	223	1-J 8
1018629-4	181	1-H14	1018772-2	221	1-J 6	1019156-7	55	1-C 8	1019369-6	223	1-J 8
1018630-2	161	1-G18	1018773-0	49	1-C 2	1019160-9	219	1-J 4	1019370-4	219	1-J 4
1018630-2	175	1-H 8	1018777-1	247	1-K 8	1019161-7	219	1-J 4	1019370-4	223	1-J 8
1018630-2	181	1-H14	1018781-3	247	1-K 8	1019162-5	219	1-J 4	1019371-2	223	1-J 8
1018631-0	215	1- I24	1018788-8	247	1-K 8	1019163-3	219	1-J 4	1019372-0	223	1-J 8
1018635-1	175	1-H 8	1018789-6	63	1-C16	1019164-1	219	1-J 4	1019373-8	225	1-J10
1018636-9	175	1-H 8	1018791-2	179	1-H12	1019165-8	219	1-J 4	1019501-4	47	1-B24
1018636-9	181	1-H14	1018791-2	189	1-H22	1019166-6	219	1-J 4	1019515-4	187	1-H20
1018637-7	175	1-H 8	1018792-0	179	1-H12	1019167-4	219	1-J 4	1019525-3	179	1-H12
1018637-7	181	1-H14	1018792-0	189	1-H22	1019168-2	219	1-J 4	1019525-3	183	1-H16
1018638-5	175	1-H 8	1018794-6	183	1-H16	1019169-0	219	1-J 4	1019528-7	179	1-H12
1018638-5	181	1-H14	1018807-6	221	1-J 6	1019170-8	219	1-J 4	1019528-7	187	1-H20
1018638-5	197	1- I 6	1018809-2	55	1-C 8	1019171-6	219	1-J 4	1019529-5	187	1-H20
1018639-3	175	1-H 8	1018828-2	219	1-J 4	1019172-4	219	1-J 4	1019530-3	183	1-H16
1018639-3	193	1- I 2	1018829-0	221	1-J 6	1019173-2	227	1-J12	1019531-1	247	1-K 8
1018640-1	175	1-H 8	1018830-8	247	1-K 8	1019174-0	211	1- I20	1019542-8	257	1-K18
1018659-1	179	1-H12	1018833-2	97	1-E 2	1019175-7	221	1-J 6	1019543-6	257	1-K18
1018661-7	179	1-H12	1018834-0	97	1-E 2	1019176-5	221	1-J 6	1019546-9	255	1-K16
1018662-5	227	1- J12	1018840-7	227	1- J12	1019177-3	221	1-J 6	1019547-7	255	1-K16
1018663-3	85	1-D14	1018875-3	149	1-G 6	1019178-1	221	1-J 6	1019555-0	255	1-K16
1018666-6	85	1-D14	1018961-1	213	1- I22	1019179-9	221	1-J 6	1019556-8	255	1-K16
1018667-4	85	1-D14	1018979-3	55	1-C 8	1019180-7	221	1-J 6	1019557-6	257	1-K18
1018668-2	197	1- I 6	1019008-0	145	1-G 2	1019196-3	221	1-J 6	1019558-4	255	1-K16
1018669-0	85	1-D14	1019009-8	143	1-F24	1019197-1	221	1-J 6	1019560-0	255	1-K16
1018672-4	179	1-H12	1019011-4	243	1-K 4	1019198-9	221	1-J 6	1019561-8	255	1-K16
1018672-4	181	1-H14	1019019-7	243	1-K 4	1019200-3	179	1-H12	1019563-4	247	1-K 8
1018672-4	255	1-K16	1019025-4	111	1-E16	1019218-5	189	1-H22	1019620-2	107	1-E12
1018674-0	187	1-H20	1019028-8	75	1-D 4	1019220-1	205	1- I14	1019634-3	211	1- I20
1018679-9	185	1-H18	1019028-8	81	1-D10	1019225-0	189	1-H22	1019658-2	263	1-K24
1018679-9	187	1-H20	1019032-0	209	1- I18	1019227-6	209	1- I18	1019659-0	263	1-K24
1018688-0	185	1-H18	1019036-1	235	1- J20	1019235-9	213	1- I22	1019663-2	147	1-G 4
1018690-6	179	1-H12	1019039-5	139	1-F20	1019239-1	213	1- I22	1019664-0	147	1-G 4
1018690-6	185	1-H18	1019054-4	211	1- I20	1019297-9	221	1-J 6	1019666-5	265	1-L 2
1018704-5	101	1-E 6	1019055-1	211	1- I20	1019298-7	221	1-J 6	1019670-7	261	1-K22
1018706-0	49	1-C 2	1019056-9	211	1- I20	1019299-5	221	1-J 6	1019788-7	263	1-K24
1018710-2	49	1-C 2	1019057-7	211	1- I20	1019322-5	53	1-C 6	1019809-1	261	1-K22
1018711-0	91	1-D20	1019058-5	211	1- I20	1019327-4	225	1-J10	1019889-3	31	1-B 8
1018713-6	207	1- I16	1019059-3	191	1-H24	1019328-2	223	1-J 8	1019891-9	41	1-B18
1018714-4	207	1- I16	1019059-3	211	1- I20	1019328-2	225	1-J10	1019892-7	31	1-B 8
1018714-4	209	1- I18	1019060-1	211	1- I20	1019329-0	223	1-J 8	1019893-5	35	1-B12
1018726-8	247	1-K 8	1019061-9	211	1- I20	1019330-8	225	1-J10	1019923-0	265	1-L 2
1018733-4	247	1-K 8	1019062-7	211	1- I20	1019331-6	225	1-J10	1019924-8	179	1-H12
1018739-1	221	1-J 6	1019063-5	211	1- I20	1019332-4	55	1-C 8	1019924-8	255	1-K16
1018740-9	221	1-J 6	1019064-3	211	1- I20	1019332-4	225	1-J10	1019927-1	195	1- I 4
1018741-7	221	1-J 6	1019065-0	211	1- I20	1019333-2	225	1-J10	1019928-9	195	1- I 4

NUMERICAL INDEX

Part	Page	Grid	Part	Page	Grid	Part	Page	Grid	Part	Page	Grid
1019990-9	31	1-B 8	2018402-4	205	1- I14	4981219-1	113	1-E18			
1019993-3	267	1-L 4	2018402-4	247	1-K 8	4981219-1	115	1-E20			
1022004-4	47	1-B24	2018411-5	163	1-G20	4981230-8	115	1-E20			
1022005-1	47	1-B24	2018411-5	165	1-G22	4983961-6	113	1-E18			
1022629-8	263	1-K24	2018412-3	163	1-G20	4994913-4	143	1-F24			
1022791-6	103	1-E 8	2018412-3	165	1-G22	4996247-5	47	1-B24			
1022895-5	257	1-K18	2018413-1	163	1-G20	4996249-1	47	1-B24			
1023459-9	263	1-K24	2018413-1	165	1-G22	4997162-5	79	1-D 8			
1023549-7	159	1-G16	2019025-2	181	1-H14	4997164-1	79	1-D 8			
1023672-7	73	1-D 2	2019582-2	199	1- I 8	4997168-2	79	1-D 8			
1023672-7	255	1-K16	2019582-2	201	1- I10	4997184-9	79	1-D 8			
1023673-5	73	1-D 2	2019582-2	203	1- I12	4998851-2	79	1-D 8			
1023673-5	255	1-K16	2019582-2	215	1- I24	4999079-9	79	1-D 8			
1023775-8	69	1-C22	2019582-2	239	1-J24	8001398-0	43	1-B20			
1043086-6	195	1- I 4	2019977-4	163	1-G20	8001482-2	35	1-B12			
1043086-6	205	1- I14	2019977-4	165	1-G22	8001501-9	75	1-D 4			
1043400-9	237	1-J22	2019978-2	163	1-G20	8001513-4	27	1-B 4			
1043401-7	237	1-J22	2019978-2	165	1-G22	8001556-3	45	1-B22			
1043402-5	237	1-J22	2019984-0	163	1-G20	8001599-3	51	1-C 4			
1043403-3	237	1-J22	2019995-6	163	1-G20	8001605-8	75	1-D 4			
1043404-1	237	1-J22	2020165-3	95	1-D24	8001607-4	75	1-D 4			
1132770-7	143	1-F24	2020415-2	229	1-J14	8001613-2	23	1-A24			
1132770-7	145	1-G 2	2020415-2	261	1-K22	8001649-6	25	1-B 2			
1132771-5	143	1-F24	2080030-6	43	1-B20	8001709-8	51	1-C 4			
1132773-1	143	1-F24	2080137-9	241	1-K 2	8008255-5	43	1-B20			
1134841-4	143	1-F24	2080160-1	25	1-B 2	8009305-7	35	1-B12			
1142670-7	81	1-D10	2080460-5	241	1-K 2	8009333-9	53	1-C 6			
1142677-2	81	1-D10	2080467-0	61	1-C14	8009341-2	29	1-B 6			
1167808-3	47	1-B24	2080471-2	61	1-C14	8009342-0	29	1-B 6			
1172891-2	81	1-D10	2080489-4	61	1-C14	8009366-9	41	1-B18			
1172896-1	81	1-D10	2091276-2	69	1-C22	8009367-7	41	1-B18			
1172897-9	81	1-D10	3014226-9	73	1-D 2	8009368-5	41	1-B18			
1172899-5	81	1-D10	3041666-3	143	1-F24	8009369-3	41	1-B18			
1173328-4	81	1-D10	3046857-3	47	1-B24	8009371-9	41	1-B18			
1173329-2	81	1-D10	3053637-9	163	1-G20	8009372-7	41	1-B18			
1173330-0	81	1-D10	3053637-9	165	1-G22	8009439-4	65	1-C18			
1186999-7	81	1-D10	3060177-7	227	1-J12	8009747-0	33	1-B10			
1193807-3	81	1-D10	3060178-5	227	1-J12	8014293-8	29	1-B 6			
1308106-2	81	1-D10	3061046-3	227	1-J12	9002032-2	139	1-F20			
2014684-1	167	1-G24	4021600-4	45	1-B22	9002032-2	141	1-F22			
2014684-1	177	1-H10	4026549-8	147	1-G 4	9002032-2	163	1-G20			
2014685-8	177	1-H10	4029089-2	261	1-K22	9002032-2	165	1-G22			
2015255-9	177	1-H10	4036472-1	47	1-B24	9002032-2	167	1-G24			
2015516-4	239	1-J24	4044355-8	79	1-D 8	9002032-2	177	1-H10			
2016210-3	255	1-K16	4047137-7	73	1-D 2	9002032-2	203	1- I12			
2016374-7	207	1- I16	4047348-0	79	1-D 8	9002032-2	205	1- I14			
2016374-7	209	1- I18	4050068-8	79	1-D 8	9002036-3	177	1-H10			
2017234-2	177	1-H10	4051281-6	79	1-D 8	9002040-5	117	1-E22			
2017235-9	165	1-G22	4054758-0	79	1-D 8	9003928-0	105	1-E10			
2017235-9	167	1-G24	4054799-4	75	1-D 4						
2017362-1	165	1-G22	4054799-4	81	1-D10						
2017362-1	167	1-G24	4054825-7	79	1-D 8						
2017479-3	177	1-H10	4054848-9	81	1-D10						
2017479-3	183	1-H16	4055119-4	47	1-B24						
2017479-3	185	1-H18	4055869-4	79	1-D 8						
2017479-3	187	1-H20	4060192-4	79	1-D 8						
2017480-1	177	1-H10	4250616-2	139	1-F20						
2017634-3	237	1-J22	4251113-9	121	1-F 2						
2017635-0	237	1-J22	4255820-5	139	1-F20						
2017636-8	237	1-J22	4393427-2	261	1-K22						
2017752-3	111	1-E16	4511629-0	55	1-C 8						
2017948-7	205	1- I14	4517310-1	47	1-B24						
2018092-3	163	1-G20	4710160-5	229	1-J14						
2018092-3	165	1-G22	4760149-7	55	1-C 8						
2018095-6	163	1-G20	4760149-7	75	1-D 4						
2018095-6	165	1-G22	4818261-2	77	1-D 6						
2018384-4	213	1- I22	4818262-0	77	1-D 6						
2018384-4	243	1-K 4	4905789-6	109	1-E14						
2018384-4	247	1-K 8	4907310-9	197	1- I 6						
2018393-5	163	1-G20	4910173-6	79	1-D 8						
2018393-5	203	1- I12	4912314-4	79	1-D 8						
2018393-5	205	1- I14	4981202-7	111	1-E16						
2018402-4	139	1-F20	4981203-5	111	1-E16						
2018402-4	165	1-G22	4981218-3	113	1-E18						
2018402-4	177	1-H10	4981218-3	115	1-E20						

GASKET SET
TOP OVERHAUL



714B & 715B TRACTORS
ENGINE

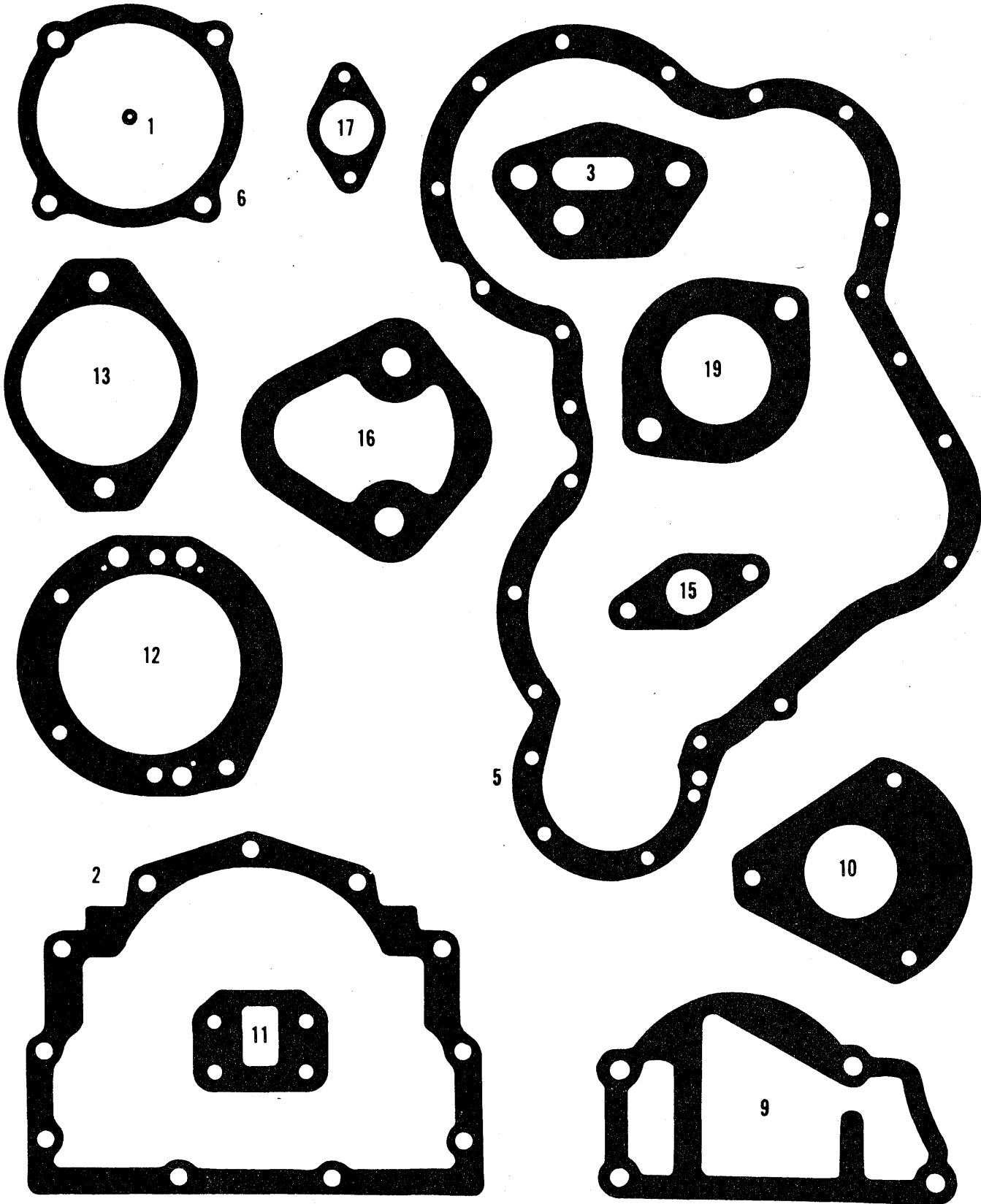
GASKET SET
TOP OVERHAUL

ITEM	NUMBER	QTY.	QTY.	DESCRIPTION
		*	**	
-	1012698-5	1	0	GASKET KIT, top overhaul
-	0255432-7	0	1	GASKET KIT, top overhaul
1	0257381-4	1	1	GASKET, cylinder head
2	0251187-1	1	1	GASKET, rear cover, cylinder head
3	0251192-1	1	1	GASKET, water outlet body
4	0251313-3	1	0	O-RING, rocker oil feed pipe
5	0251241-6	1	1	GASKET, induction manifold, front
6	0251242-4	1	1	GASKET, induction manifold, center
7	0251240-8	1	1	GASKET, induction manifold, rear
8	0257463-0	2	2	GASKET, exhaust manifold
9	0251250-7	1	1	GASKET, cover, cylinder head
10	0251284-6	4	4	WASHER, Injection nozzle
11	1002370-3	8	0	SEAL, valve, oil deflector
12	0254491-4	0	1	GASKET, outlet (Not illustrated)

*Prior Tractor S/N 2080

**Eff. Tractor S/N 2080 & Up

GASKET SET
BOTTOM OVERHAUL



714B & 715B TRACTORS
ENGINE

GASKET SET
BOTTOM OVERHAUL

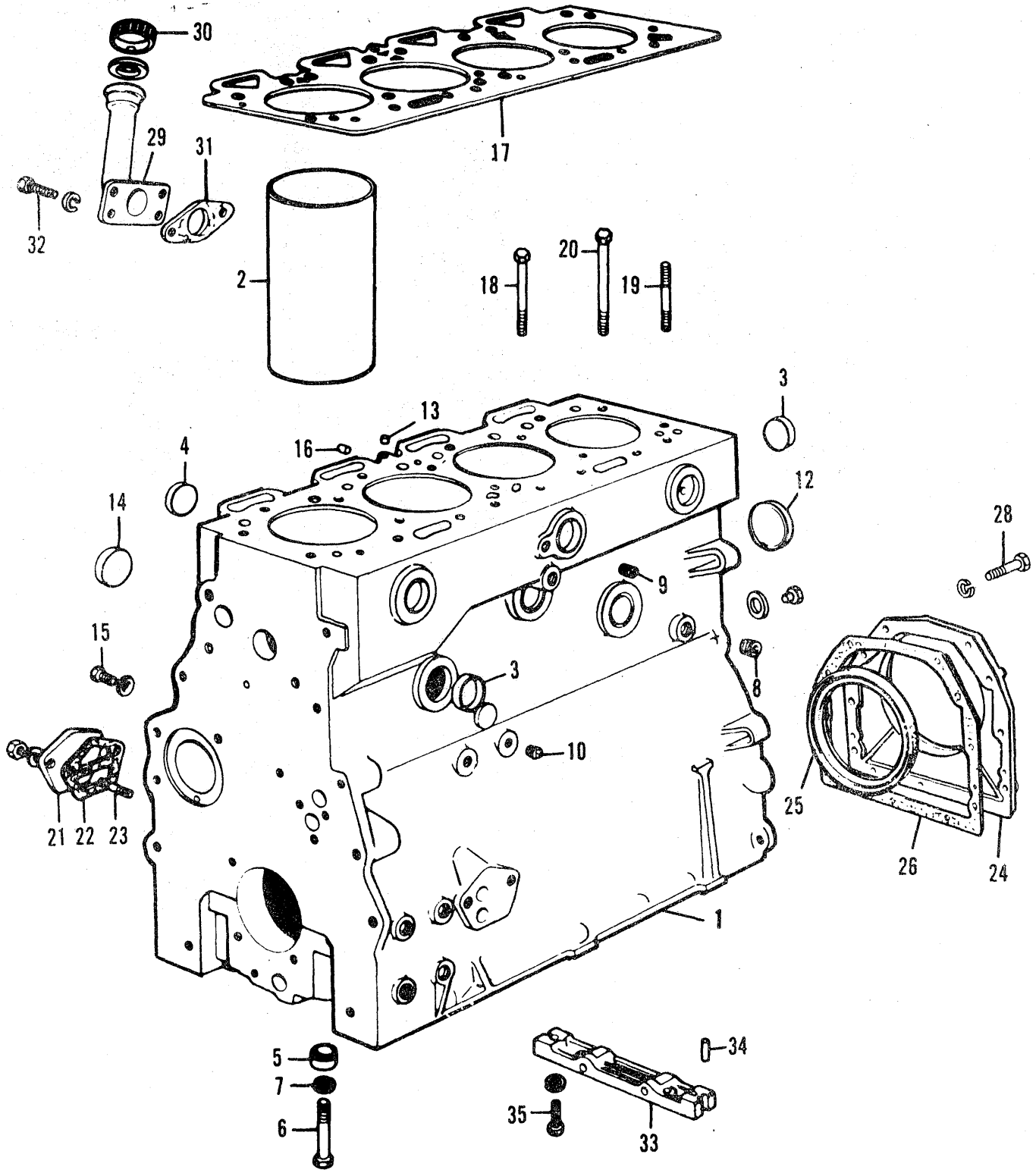
ITEM	NUMBER	QTY.	QTY.	DESCRIPTION
		.	**	
-	1010308-3	1	0	GASKET KIT, bottom overhaul
-	1005106-8	0	1	GASKET KIT, bottom overhaul
1	0251040-2	2	2	GASKET, bridge piece
2	0251048-5	1	1	GASKET, seal housing
3	0251182-2	1	0	GASKET, lube oil filter
4	1005033-4	1	1	GASKET, timing case to block (Not illustrated)
5	1010289-5	1	0	GASKET, timing gear housing to front cover
	0251096-4	0	1	GASKET, timing gear housing to front cover
6	0251101-2	1	1	GASKET, timing case cover
7	0251174-9	1	1	GASKET, sump (Not illustrated)
8	0251416-4	1	2	GASKET, blanking plate (Not illustrated)
	0254971-5	0	1	GASKET, blanking plate (Not illustrated)
9	0251262-2	1	1	GASKET, water pump
10	0251269-7	1	1	GASKET, injection pump
11	0257231-1	1	1	GASKET, pump to block
12	1010293-7	1	0	GASKET, timing case cover blanking
13	1010295-2	1	0	GASKET, timing case blanking
14	1005096-1	1	1	GASKET, water pump to block
15	1005055-7	0	1	GASKET, pipe to housing
16	0251277-0	0	1	GASKET, pump to block
17	0251076-6	0	1	GASKET, timing gear housing to block
18	8001613-2	0	1	GASKET, filler blank plate to plate (Not illustrated)
19	0254491-4	0	1	GASKET, water outlet connection

*Prior Tractor S/N 2080

**Eff. Tractor S/N 2080 & Up

714B & 715B TRACTORS
ENGINE

CYLINDER BLOCK



714B & 715B TRACTORS
ENGINE

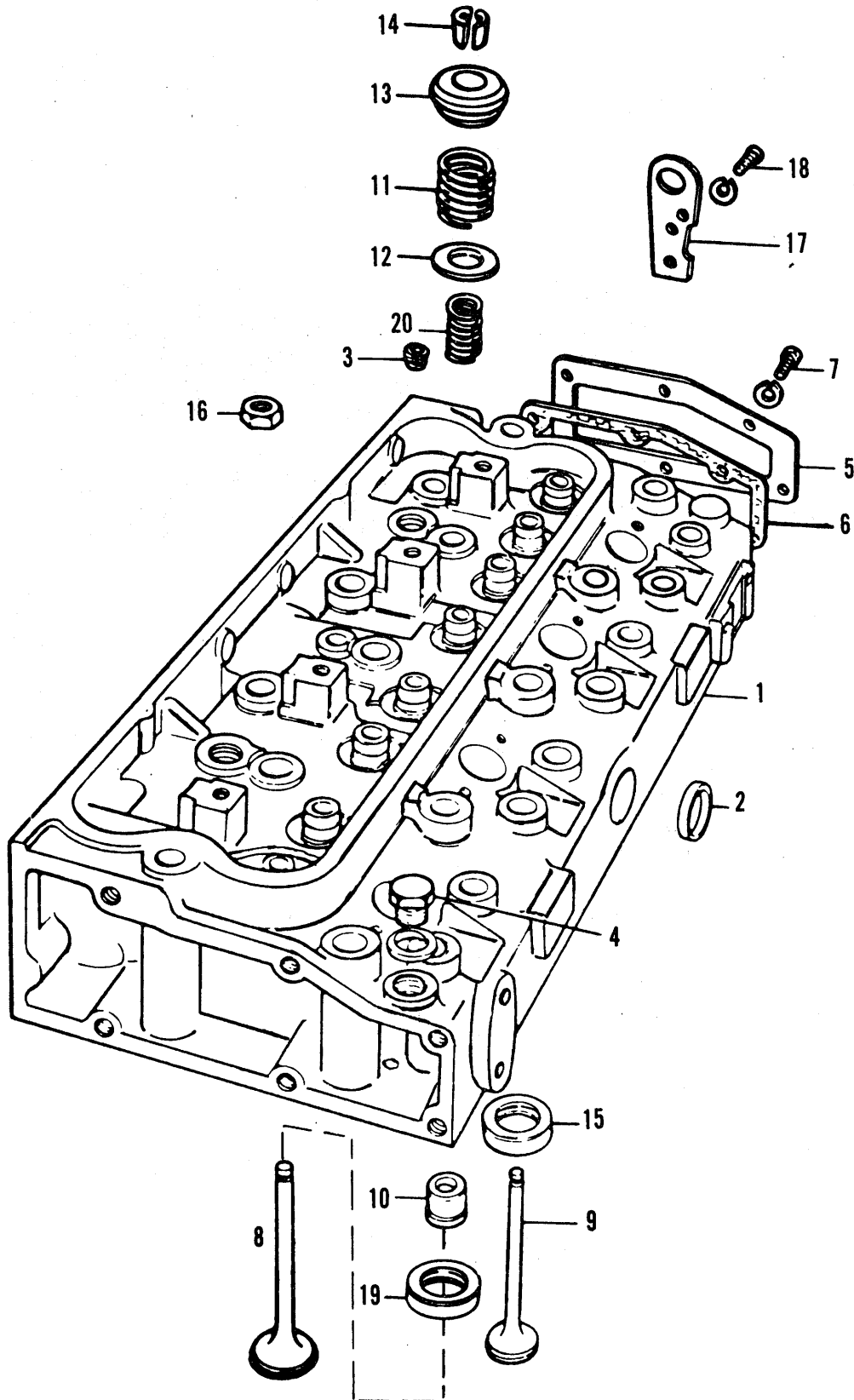
25

CYLINDER BLOCK

ITEM	NUMBER	QTY.	DESCRIPTION
1	1015703-0	1	BLOCK ASY. (Incl. Items 2 thru 7)
	1010484-2	1	BUSHING, front camshaft
2	8001649-6	4	LINER, cylinder block (lip type)
	0251001-4	4	LINER, cylinder block (straight type)
3	0251003-0	8	PLUG, fuel pump side & rear face
4	0251004-8	4	PLUG, induction side
5	0251032-9	10	THIMBLE, main bearing, capscrew
6	1007948-1	10	CAPSCREW, main bearing to block
7	0251035-2	10	SHIM, capscrew
8	0917425-1	2	PLUG, drain, water
9	0251015-4	1	PLUG, hole, fuel pump
10	0251249-9	1	PLUG, lube oil pressure switch
11	0251008-9	1	PLUG, pressure rail
	0251009-7	1	WASHER, plug
12	0251005-5	1	PLUG, camshaft bearing
13	0251012-1	1	PLUG, rocker oil feed
14	0251010-5	3	PLUG, R.H. side
15	0912592-3	1	PLUG, R.H. side
16	0251006-3	1	PLUG, induction side
17	0257381-4	1	GASKET, cylinder head
18	0255939-1	4	CAPSCREW (6 req'd eff. Tractor S/N 2080 & Up)
19	1007668-5	2	STUD, cylinder head to block (Prior Tractor S/N 2080)
	0251020-4	2	STUD, cylinder head to block
	0255940-9	12	CAPSCREW
20	0255941-7	2	CAPSCREW
21	1015600-8	1	PLATE, induction side
22	0251182-2	1	GASKET, blanking plate to cylinder block
23	0928380-5	2	CAPSCREW, plate to block, 7/16NF x 1
	0918199-1	2	WASHER, spring, 7/16
24	0257777-3	1	HOUSING, crankshaft, rear end
	2080160-1	2	DOWEL
25	1015543-0	1	SEAL, oil, rear end
26	0257778-1	1	GASKET, housing to block
27	1015599-2	2	CAPSCREW, housing clamping (Not shown)
	0917356-8	2	WASHER, spring, 5/16
28	0928380-5	11	CAPSCREW, housing to block, 7/16NF x 1
	0918199-1	11	WASHER, spring, 7/16
29	0251077-4	1	FILLER, lube oil
30	0251082-4	1	CAP, lube oil filler
	1005008-6	1	GASKET, cap
31	0251076-6	1	GASKET, filler flange to block
32	0921515-3	2	CAPSCREW, filler to block, 5/16NF x 3/4
	0917356-8	2	WASHER, spring, 5/16
33	0251036-0	1	BRIDGE PIECE, rear
34	0251040-2	2	GASKET, bridge piece to block
35	0251041-0	2	SCREW, bridge piece to block
	0251042-8	2	WASHER, plain
-	1017900-0	-	BLOCK, short
-	1016955-5	-	ENGINE ASY., complete replacement

714B & 715B TRACTORS
ENGINE

CYLINDER HEAD



714B & 715B TRACTORS
ENGINE

27

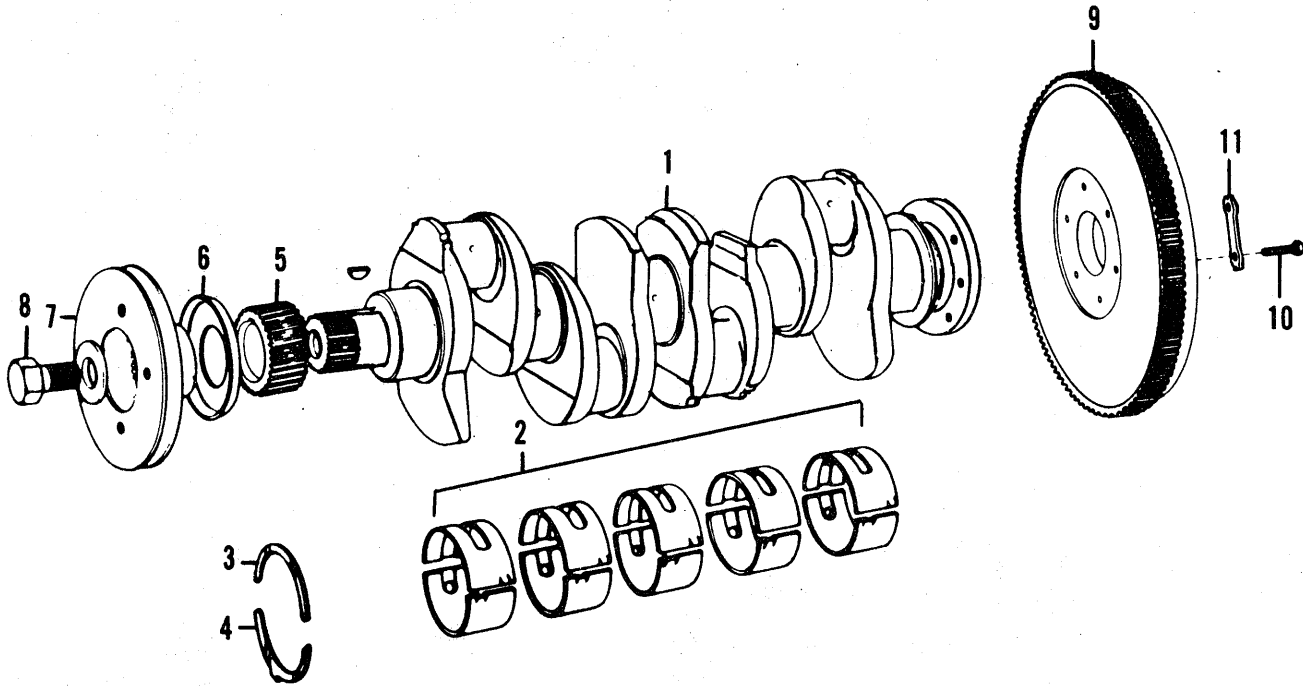
CYLINDER HEAD

ITEM	NUMBER	QTY.	QTY.	DESCRIPTION
		*	**	
1	1018386-1	1	0	HEAD ASY., cylinder (Incl. Items 2 thru 17)
	1018600-5	0	1	HEAD ASY., cyl. (Incl. Items 2 thru 17, & 20)
2	0251003-0	1	1	PLUG, fuel pump side
3	0251184-8	2	2	PLUG, top face
4	0251185-5	1	1	PLUG, top face
	0251186-3	1	1	WASHER, plug
5	1007666-9	1	1	COVER, rear end
6	0251187-1	1	1	GASKET, cover, rear end
7	0921515-3	6	6	CAPSCREW, 5/16NF x 3/4
	0917356-8	6	6	WASHER, spring, 5/16
8	0251228-3	4	4	VALVE, inlet (Std.)
	0251401-6	4	4	VALVE, inlet (.003)
	0251402-4	4	4	VALVE, inlet (.015)
	0251403-2	4	4	VALVE, inlet (.030)
9	1010495-8	4	4	VALVE, exhaust (Std.)
	1017186-6	4	4	VALVE, exhaust (.003)
	1017187-4	4	4	VALVE, exhaust (.015)
	1017188-2	4	4	VALVE, exhaust (.030)
10	1002370-3	8	8	SEAL, inlet & exhaust valve
11	8001513-4	8	0	SPRING, outer
	0251231-7	0	8	SPRING, outer
12	0253270-3	8	8	WASHER, valve spring seating
13	0251233-3	8	8	CAP, valve spring retaining
14	0251232-5	16	16	COTTER, valve retaining (serviced in pairs)
15	1005021-9	4	4	INSERT, exhaust valve seat
16	0251021-2	4	2	NUT, cylinder head retaining
	1010298-6	2	0	NUT, cylinder head retaining
17	0251189-7	1	1	PLATE, lifting, engine (rear)
18	0927057-0	2	2	CAPSCREW, 1/4NF x 3/4
	0916965-7	2	2	WASHER, spring, 3/8
19	1005020-1	4	4	INSERT, inlet valve seat
20	1005022-7	0	8	SPRING, inner

*Prior Tractor S/N 2080

**Eff. Tractor S/N 2080 & Up

CRANKSHAFT



714B & 715B TRACTORS
ENGINE

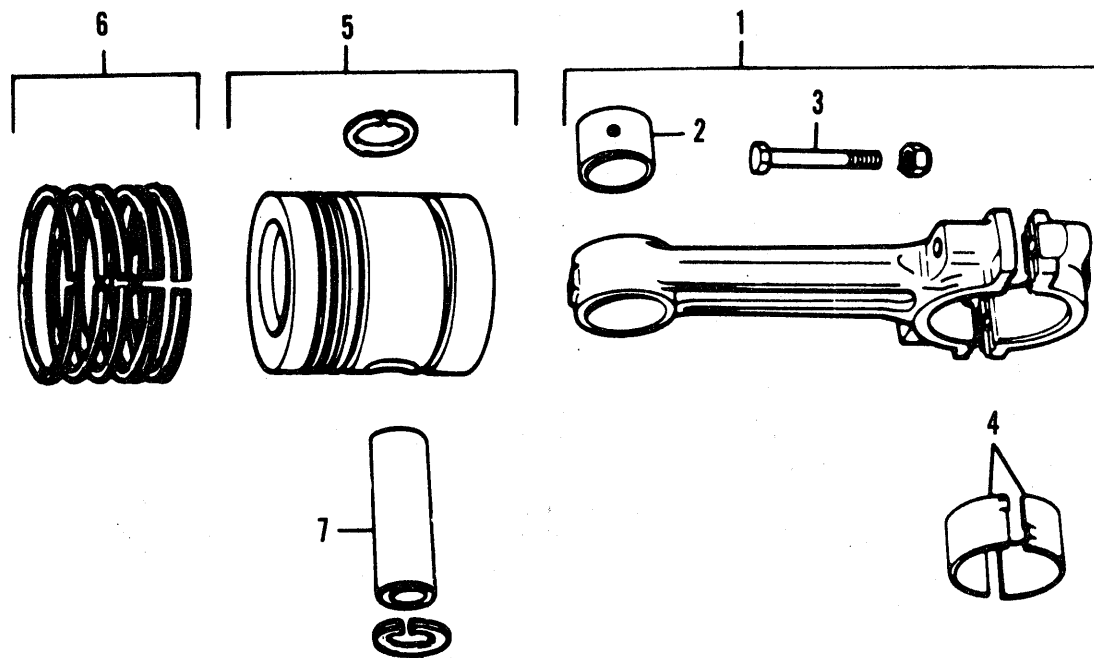
CRANKSHAFT

ITEM	NUMBER	QTY.	QTY.	DESCRIPTION
		.	**	
1	1015772-5	1	1	CRANKSHAFT KIT (incl. Items 2, 3 & 4)
2	0251338-0	1	1	BEARING SET (Std.)
	0251339-8	1	1	BEARING SET (.010")
	0251340-6	1	1	BEARING SET (.020")
	0251341-4	1	1	BEARING SET (.030")
3	0251026-1	2	2	WASHER, thrust, top (Std.)
	0251398-4	2	2	WASHER, thrust, top (.007")
4	0251027-9	2	2	WASHER, thrust, bottom (Std.)
	0251399-2	2	2	WASHER, thrust, bottom (.007")
5	8009341-2	1	0	GEAR, crankshaft
	0251105-3	0	1	GEAR, crankshaft
	0905845-4	1	1	KEY, gear
6	8009342-0	1	0	FLANGE, oil thrower
	0251106-1	0	1	FLANGE, oil thrower
7	1010300-0	1	0	PULLEY, crankshaft
	1018607-0	0	1	PULLEY, crankshaft
8	0923732-2	1	1	SCREW, 3/8NF x 1-1/2
	0251109-5	1	1	WASHER, retaining screw
9	1014932-6	1	1	FLYWHEEL & STARTING RING ASY.
	1005065-6	1	1	RING, starter
	1011774-5	1	1	SHIM
10	8014293-8	6	6	CAPSCREW, flywheel crankshaft
11	1005067-2	3	3	TABWASHER, flywheel securing

*Prior Tractor S/N 2080

**Eff. Tractor S/N 2080 & Up

PISTON & CONNECTING ROD



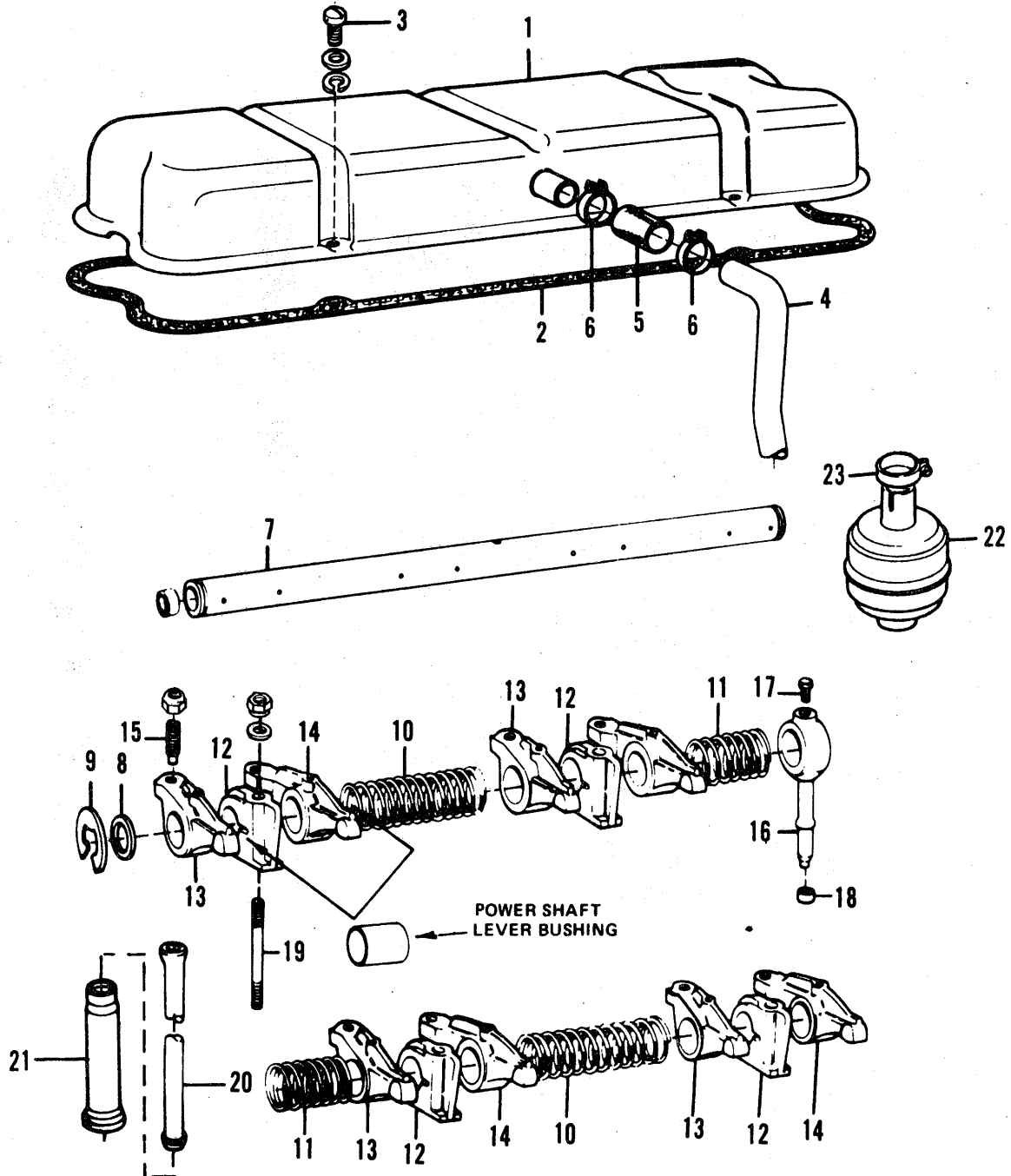
714B & 715B TRACTORS
ENGINE

PISTON & CONNECTING ROD

ITEM	NUMBER	QTY.	DESCRIPTION
1	1005060-7	4	ROD ASY., connecting (Incl. Items 2 & 3)
2	0251121-0	4	BUSHING, connecting rod (small end)
3	0251118-6	8	BOLT, connecting rod
	1005061-5	16	NUT, rod bolt
4	0251356-2	1	BEARING SET (Std.) (Used in KIT 251349)
	0251357-0	1	BEARING SET (.010") (Used in KIT 251349)
	0251358-8	1	BEARING SET (.020") (Used in KIT 251349)
	0251359-6	1	BEARING SET (.030") (Used in KIT 251349)
5	1017182-5	1	PISTON ASY., minor (Incl. CIRCLIP)
	0251115-2	2	CIRCLIP, retaining
6	1019889-3	4	RING, pack set
	1019990-9	4	RING, pack set (.03 o/s)
	1019892-7	4	RING, pack set (worn liner)
7	-----	4	PIN, piston (Not serviced separately)

714B & 715B TRACTORS
ENGINE

CYLINDER HEAD COVER & VALVE OPERATING MECHANISM



714B & 715B TRACTORS
ENGINE

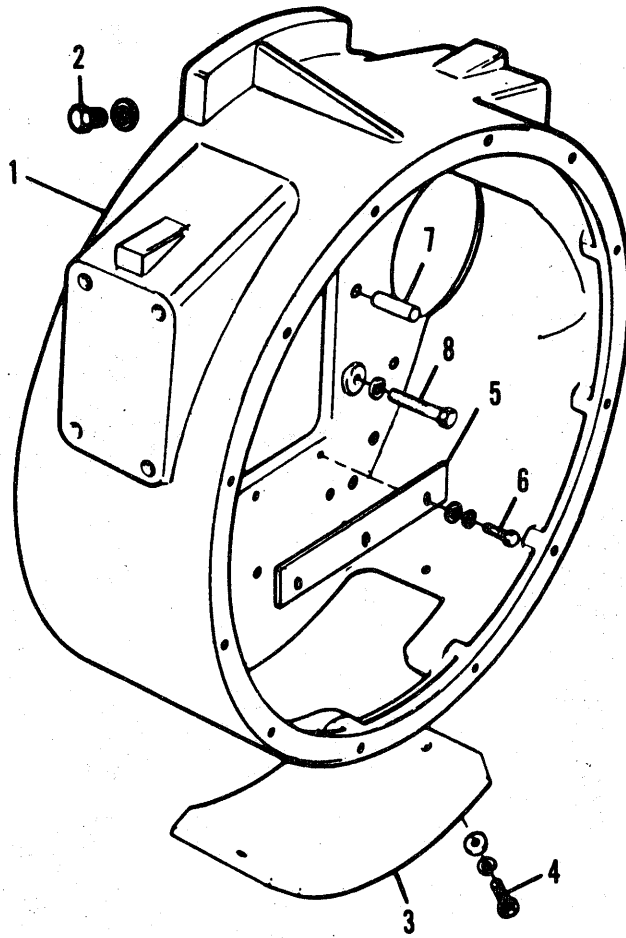
33

CYLINDER HEAD COVER & VALVE OPERATING MECHANISM

ITEM	NUMBER	QTY.	DESCRIPTION
1	0251251-5	1	COVER, cylinder head
2	0251250-7	1	GASKET, cover, cylinder head
3	0251254-9	4	SCREW, cover to cylinder head
	0251255-6	4	WASHER, plain
	0916964-0	4	WASHER, spring, 1/4
4	1007671-9	1	PIPE, breather extension, cover
5	0251258-0	1	HOSE, pipe extension
6	0251259-8	2	CLIP, hose
7	0251347-1	1	SHAFT, rocker arm (Prior Tractor S/N 2080)
	8009747-0	1	SHAFT, rocker arm (Eff. Tractor S/N 2080 & Up)
	0251208-5	2	PLUG, shaft ends
8	0251217-6	2	WASHER, shaft ends
9	0251218-4	2	CIRCLIP, retaining
10	0251209-3	2	SPRING, rocker shaft, long
11	0251210-1	2	SPRING, rocker shaft, short
12	0251206-9	4	BRACKET, rocker shaft
13	0251211-9	4	LEVER, rocker shaft, R.H. (Incl. BUSHINGS)
	0251213-5	4	BUSHING, lever
14	0251214-3	4	LEVER, rocker shaft, L.H. (Incl. BUSHINGS)
	0251213-5	4	BUSHING, lever
15	0251224-2	8	SCREW, adjusting, tappet
	0251225-9	8	NUT, lock
16	1005030-0	1	PIPE, rocker shaft oil feed
17	0251223-4	1	SCREW, oil feed pipe locating
18	0251313-3	1	SEAL, oil feed pipe
19	0251197-0	4	STUD, shaft bracket to head
	0251198-8	4	NUT, bracket retaining
	0251199-6	4	WASHER, plain
20	0251226-7	8	ROD, push
21	0257402-8	8	TAPPET
22	1009526-3	1	BODY, breather assembly
23	0925755-1	1	CLIP, body to pipe

714B & 715B TRACTORS
ENGINE

FLYWHEEL



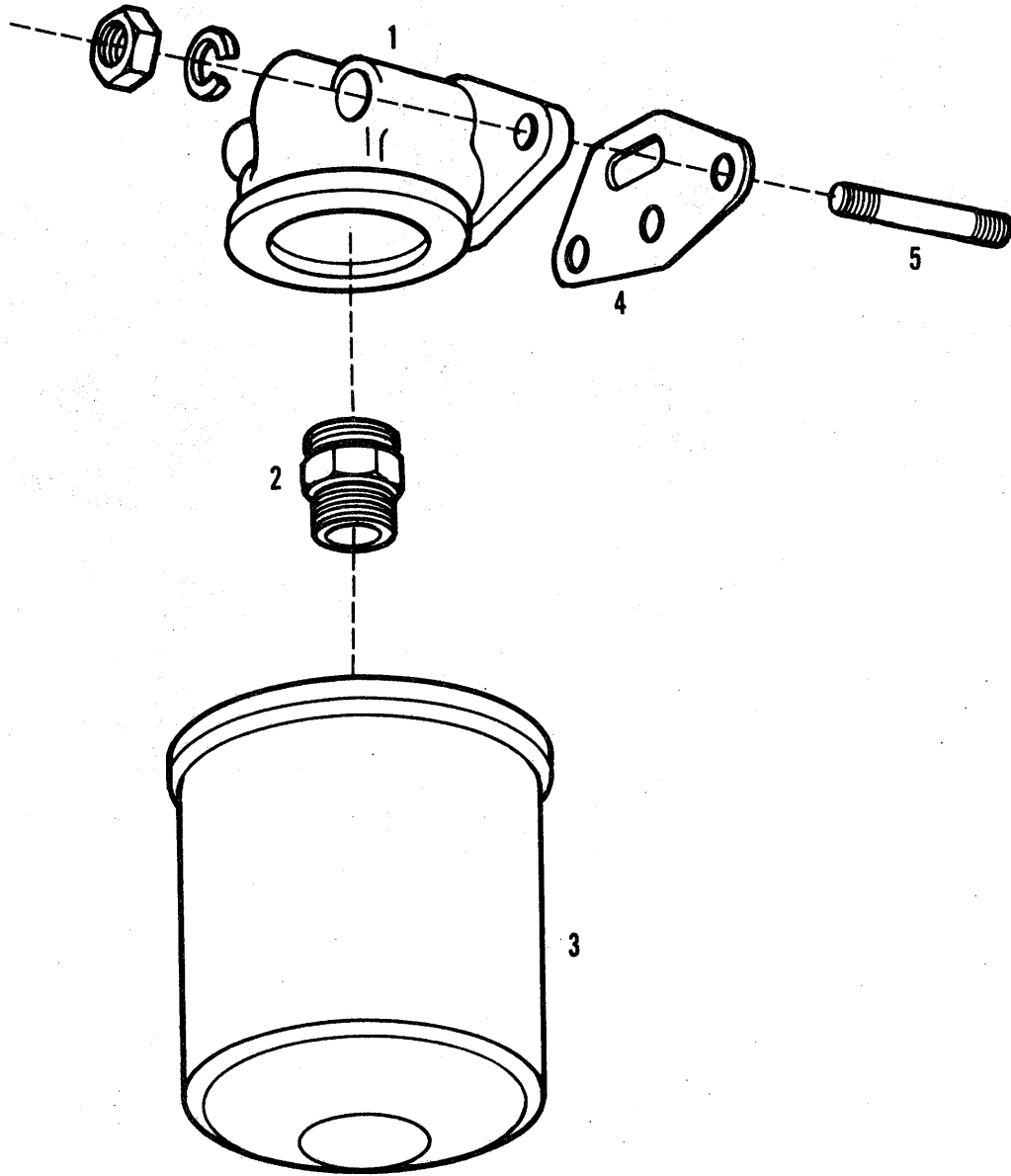
714B & 715B TRACTORS
ENGINE

35

FLYWHEEL

ITEM	NUMBER	QTY.	DESCRIPTION
1	1016348-3	1	HOUSING, flywheel
	8009305-7	1	PLUG, blanking hole
	8001482-2	1	PLUG, adapter
2	1005011-0	3	PLUG, housing
	0910287-2	3	WASHER, spring
3	1005012-8	1	PLATE, cover, bottom
4	0920787-9	2	CAPSCREW, 5/16NC x 1/2 (cover plate to hsg.)
	0251089-9	2	WASHER, plain
	0917356-8	2	WASHER, spring, 5/16
5	1019893-5	1	COVER, dust, housing
6	0921958-5	3	CAPSCREW, 1/4NC x 1/2 (dust cover)
	0251255-6	3	WASHER, plain
	0916964-0	3	WASHER, spring, 1/4
7	1005016-9	2	DOWEL, housing to block
8	0920352-2	6	CAPSCREW, 3/8NF x 1-1/4 (housing to block)
	0916965-7	6	WASHER, spring, 3/8

OIL FILTER



714B & 715B TRACTORS
ENGINE

OIL FILTER

ITEM	NUMBER	QTY.	DESCRIPTION
—	1016179-2	—	FILTER ASY. KIT
1	1016056-2	1	HEAD, filter
2	-----	1	CONNECTION (Order FILTER HEAD 1016056)
3	1014121-6	1	ELEMENT, filter
4	0251416-4	1	GASKET, mounting
5	0251083-2	2	STUD, 7/16NF x1-9/16
	1015594-3	2	LOCKWASHER, 7/16
	0913901-5	2	NUT, 7/16NF

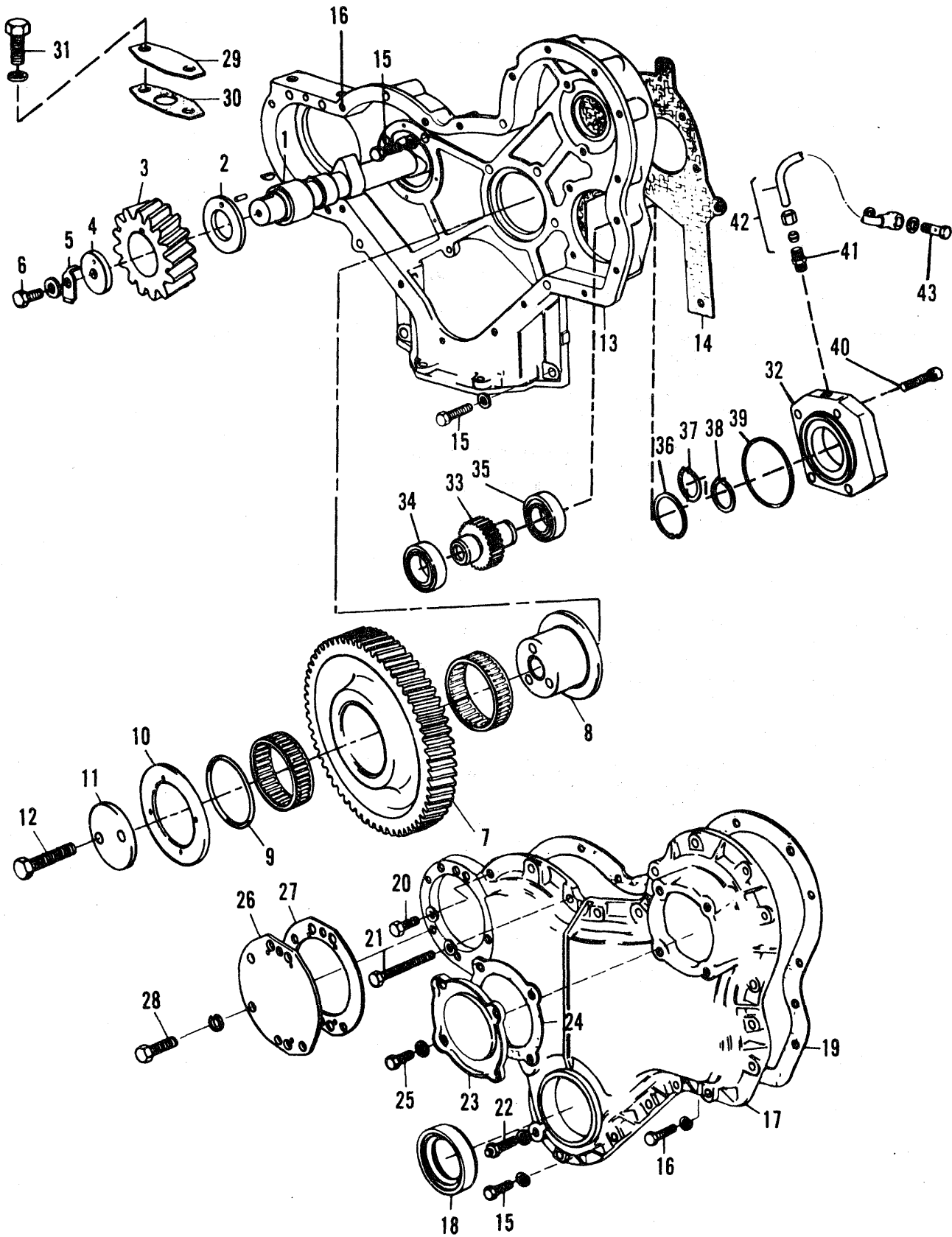
714B & 715B TRACTORS
ENGINE

39

LUBRICATING SYSTEM
OIL PAN & PUMP

ITEM	NUMBER	QTY.	DESCRIPTION
1	1007673-5	1	PAN, oil sump, 45°
2	0251174-9	1	GASKET, oil sump pan
3	0916206-6	12	CAPSCREW, 5/16NF x 7/8 (pan to block)
	0917356-8	1	LOCKWASHER, 5/16
4	0254561-4	6	CAPSCREW, pan to block & gear housing
	0917356-8	1	LOCKWASHER, 5/16
5	1005040-9	2	STUD, pan to block & bridge piece
	0917356-8	1	LOCKWASHER, 5/16
	0920263-1	1	NUT, 5/16NF (block to bridge)
6	0251171-5	1	DIPSTICK ASY. (Incls. WASHER)
	0251173-1	1	WASHER, dipstick
7	1010301-8	1	TUBE, oil dipstick (Incls. NUT)
	0251170-7	1	NUT, tube retaining
8	0251164-0	1	STRAINER, oil suction
9	1012390-9	1	PIPE, oil suction
10	0911169-1	1	CAPSCREW, 5/16NF x 5/8 (clip to bearing cap)
	0251089-9	1	WASHER, plain
11	0916399-9	2	CAPSCREW, 1/4NF x 5/8 (suction pipe to strainer)
	0916964-0	1	LOCKWASHER, 1/4
12	0251255-6	2	WASHER, spring
13	1005045-8	1	GASKET, pipe flange to body
14	0921515-3	1	CAPSCREW, 5/16NF x 3/4 (pipe flange to pump)
	0917356-8	1	LOCKWASHER, 5/16
15	1005046-6	1	PUMP, oil (Incls. SEAL)
	1005047-4	1	SEAL, oil pump cover
16	0923325-5	3	CAPSCREW, 5/16NC x 7/8 (oil pump to front cap)
	0917356-8	1	LOCKWASHER, 5/16
17	1005048-2	1	GEAR, idler, oil pump (Incls. BUSHING)
	1005049-0	1	BUSHING, gear
18	1005050-8	1	CIRCLIP, retaining, gear
19	1005051-6	1	SHAFT, idler gear
20	1005054-0	1	FERRULE, delivery pipe
21	1005053-2	1	NUT, delivery pipe
22	1005052-4	1	PIPE, oil delivery
23	1005055-7	1	GASKET, pipe to housing
24	0916399-9	2	CAPSCREW, 1/4NF x 5/8 (pipe to housing)
	0916964-0	1	LOCKWASHER, 1/4
25	1005057-3	1	HOUSING, oil delivery (Incl. Items 28, 29, 30 & 31)
26	0251150-9	1	PLUNGER, oil relief valve
27	0251151-7	1	SPRING, oil relief valve
28	0251152-5	1	CAP, oil relief valve
29	0251153-3	1	PIN, cotter
30	0251129-3	1	THIMBLE, housing to block
31	0923310-7	1	CAPSCREW, 3/8NF x 2-1/4 (housing to block)
	0916965-7	1	LOCKWASHER, 3/8
32	1007674-3	1	PLUG, drain
	1007675-0	1	WASHER, plug

CAMSHAFT, TIMING GEAR COVER



714B & 715B TRACTORS
ENGINE

CAMSHAFT, TIMING GEAR COVER

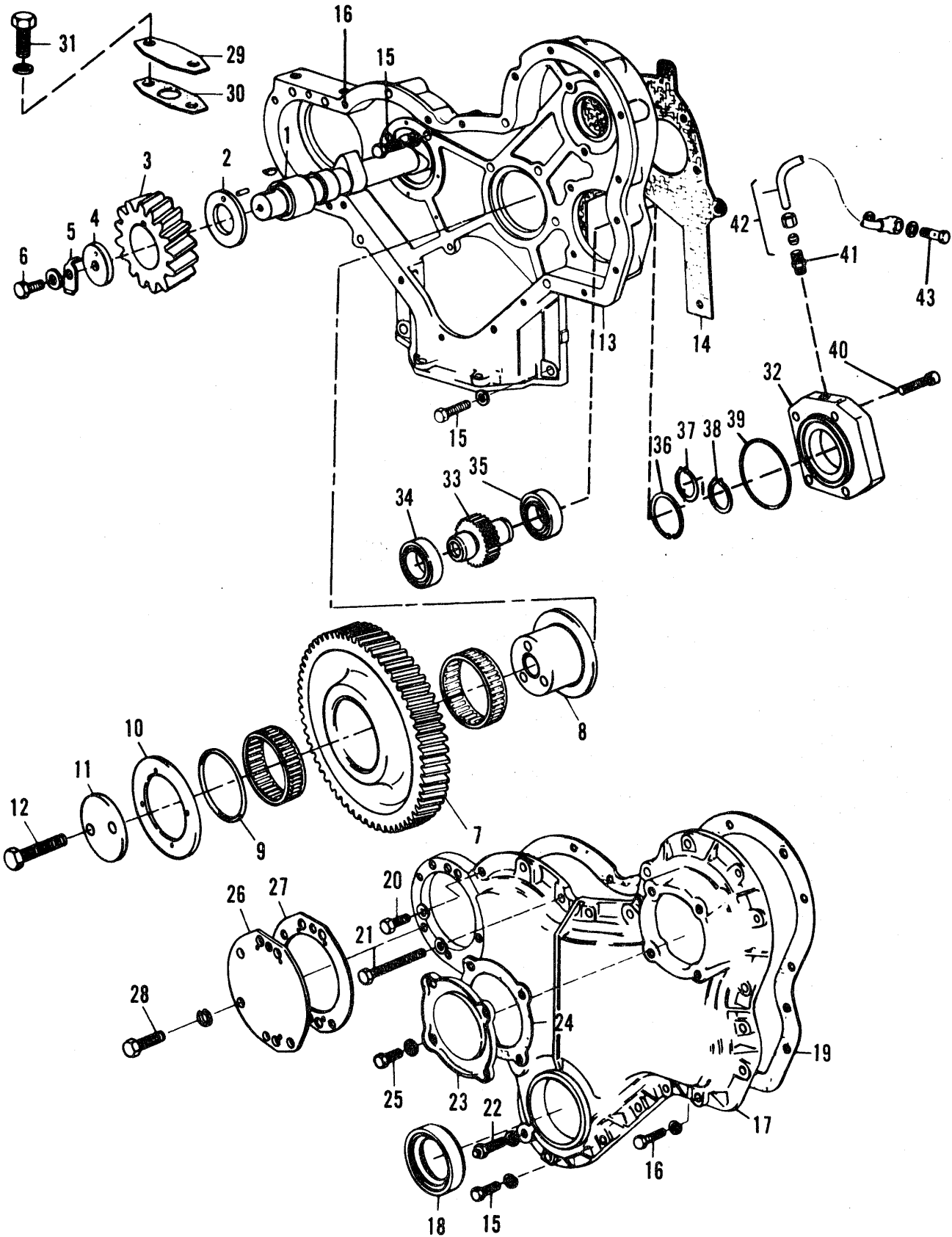
ITEM	NUMBER	QTY.	QTY.	DESCRIPTION
		.	**	
1	0251050-1	1	0	CAMSHAFT
	0255924-3	0	1	CAMSHAFT
	0905845-4	1	1	KEY, camshaft
2	0251057-6	1	1	WASHER, thrust, camshaft
	0251058-4	1	0	DOWEL, thrust washer
	1018606-2	0	1	DOWEL, thrust washer
3	8009366-9	1	0	GEAR, camshaft
	0251051-9	0	1	GEAR, camshaft
4	0251054-3	1	1	WASHER, capscrew
5	0251055-0	1	1	TABWASHER, gear retaining
6	0927068-7	1	1	CAPSCREW, 5/16NF x 1-5/16NF x 1-5/8 (gear retaining)
	0251056-8	1	1	WASHER, shim
7	8009367-7	1	0	GEAR, idler
	1018602-1	0	1	GEAR, idler
	8009368-5	2	0	BEARING, needle
	1018603-9	0	1	BEARING, needle
8	8009371-9	1	0	HUB, idler gear
	1007958-0	0	1	HUB, idler gear
9	8009369-3	1	0	DISTANCE PIECE, bearing
10	1017196-5	2	0	WASHER, idler gear thrust
	1018604-7	0	2	WASHER, idler gear thrust
11	8009372-7	1	1	PLATE, gear retaining
12	0916388-2	3	0	CAPSCREW, 3/8NF x 2-3/4 (plate to block)
	0922484-1	0	3	CAPSCREW, 3/8NF x 2-1/2 (plate to block)
13	1010285-3	1	0	HOUSING, timing gear
	1018559-3	0	1	HOUSING, timing gear
14	1005033-4	1	1	GASKET, gear housing to block
15	0916206-6	11	11	CAPSCREW, 5/16NF x 7/8
	0917356-8	11	11	LOCKWASHER, 5/16
16	0251308-3	1	0	PLUG, timing case
	1005074-8	1	0	WASHER
17	1019891-9	1	0	COVER, housing, front (Prior S/N 236U100576)
	1010290-3	1	0	COVER, housing, front (Eff. S/N 236U100576 & Up)
	1010485-9	0	1	COVER, housing, front
18	0257365-7	1	1	SEAL, oil, front cover
19	1010289-5	1	0	GASKET, cover to housing
	0251096-4	0	1	GASKET, cover to housing
20	0927927-4	11	11	CAPSCREW, 5/16NF x 1
	0917356-8	11	11	LOCKWASHER, 5/16
21	0929394-5	4	0	CAPSCREW, 5/16NF x 2-3/4
	0918786-5	0	4	CAPSCREW, 5/16NF x 2-1/2
	0917356-8	4	4	LOCKWASHER, 5/16
22	0251099-8	1	1	PIN, engine timing
	0251100-4	1	1	WASHER, timing pin
23	0251102-0	1	1	COVER, inspection, front
24	0251101-2	1	1	GASKET, inspection cover
25	0920623-6	4	4	CAPSCREW, 5/16NF x 1/2
	0251095-6	4	4	WASHER, plain
26	1010292-9	1	0	PLATE, timing case blank
27	1010293-7	1	0	GASKET, blank cover
28	0920701-0	5	0	CAPSCREW, 5/16NF x 1-3/8
	0917356-8	5	0	LOCKWASHER, 5/16
29	1010294-5	1	0	PLATE, timing case blank
30	1010295-2	1	0	GASKET, timing case blank

*Prior Tractor S/N 2080

**Eff. Tractor S/N 2080 & Up

Continued

CAMSHAFT, TIMING GEAR COVER



714B & 715B TRACTORS
ENGINE

43

CAMSHAFT, TIMING GEAR COVER

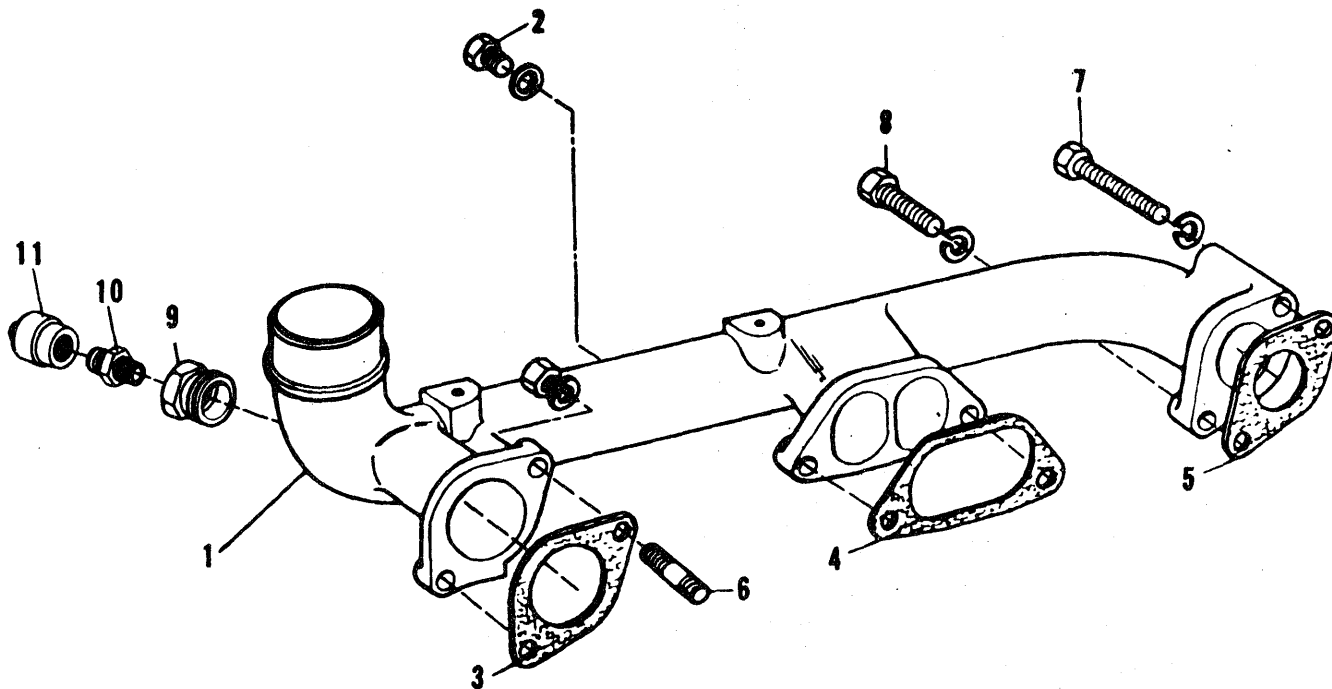
ITEM	NUMBER	QTY.	QTY.	DESCRIPTION
		*	**	
31	0921985-8	2	0	CAPSCREW, 3/8NF x 1
	0916965-7	2	0	LOCKWASHER, 3/8
32	1009289-8	1	0	ADAPTER, hydraulic pump drive
	1018611-2	0	1	HOUSING, hydraulic pump drive
33	1010310-9	1	0	GEAR, hydraulic pump drive
	1018613-8	0	1	GEAR, hydraulic pump drive
34	1010309-1	1	0	BEARING, needle
	1018612-0	0	1	BEARING
35	1010310-9	1	0	BEARING, hydraulic pump drive
	1018614-6	0	1	BEARING, hydraulic pump drive
36	1010314-1	1	0	CIRCLIP, drive gear
	1018617-9	0	1	SPACER
37	1010312-5	1	0	CIRCLIP, front
	1018615-3	0	1	CIRCLIP, front
38	1010313-3	1	0	CIRCLIP, rear
	1018616-1	0	1	CIRCLIP, rear
39	1010315-8	1	1	O-RING
40	0930201-9	4	0	CAPSCREW, 5/16NF x 1
	8008255-5	0	4	STUD
41	0251072-5	1	1	UNION
42	1010305-9	1	0	PIPE ASY., lube oil feed
	0912367-0	1	0	WASHER, 3/16
	0912064-3	1	0	NUT, 3/16NC
	1018608-8	0	1	PIPE ASY., lube oil feed
	0911841-5	0	1	WASHER
	0251246-5	0	1	NUT
43	2080030-6	1	1	BOLT, lube oil pipe
	8001398-0	2	2	WASHER, banjo bolt

*Prior Tractor S/N 2080

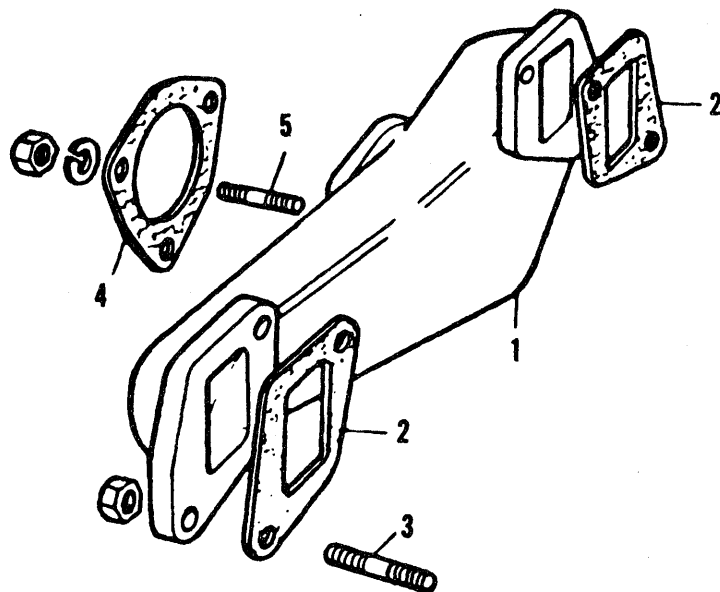
**Eff. Tractor S/N 2080 & Up

714B & 715B TRACTORS
AIR INTAKE & EXHAUST SYSTEM

MANIFOLD
INTAKE



MANIFOLD
EXHAUST



**714B & 715B TRACTORS
AIR INTAKE & EXHAUST SYSTEM**

45

**MANIFOLD
INTAKE**

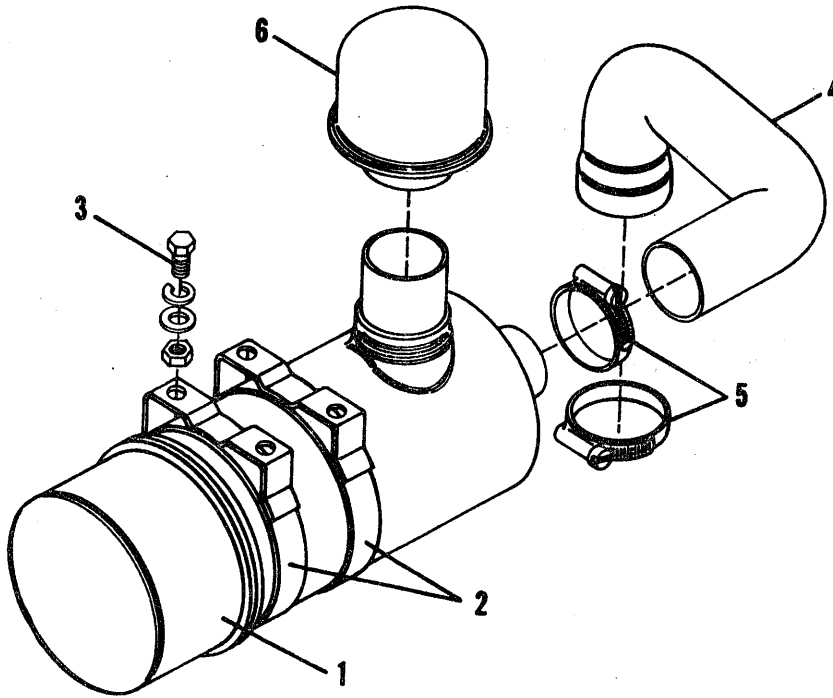
ITEM	NUMBER	QTY.	DESCRIPTION
1	1006813-8	1	MANIFOLD, intake
2	0912592-3	1	PLUG
3	0251242-4	1	GASKET, manifold to head, front
4	0251240-8	1	GASKET, manifold to head, center
5	0251241-6	1	GASKET, manifold to head, rear
6	0251202-8	1	STUD, manifold to head, front top hole
	0916965-7	1	LOCKWASHER, 3/8
	0916602-6	1	NUT, 3/8NF
7	0922484-1	1	CAPSCREW, 3/8NF x2-1/2
	0916965-7	1	LOCKWASHER, 3/8
8	0927342-6	4	CAPSCREW, 3/8NF x1-1/8
	0916965-7	1	LOCKWASHER, 3/8
9	0251248-1	1	ADAPTER
10	0241056-1	1	NIPPLE ASY.
11	4021600-4	1	INDICATOR ASY.
-	1012698-5	1	GASKET KIT, top overhaul

**MANIFOLD
EXHAUST**

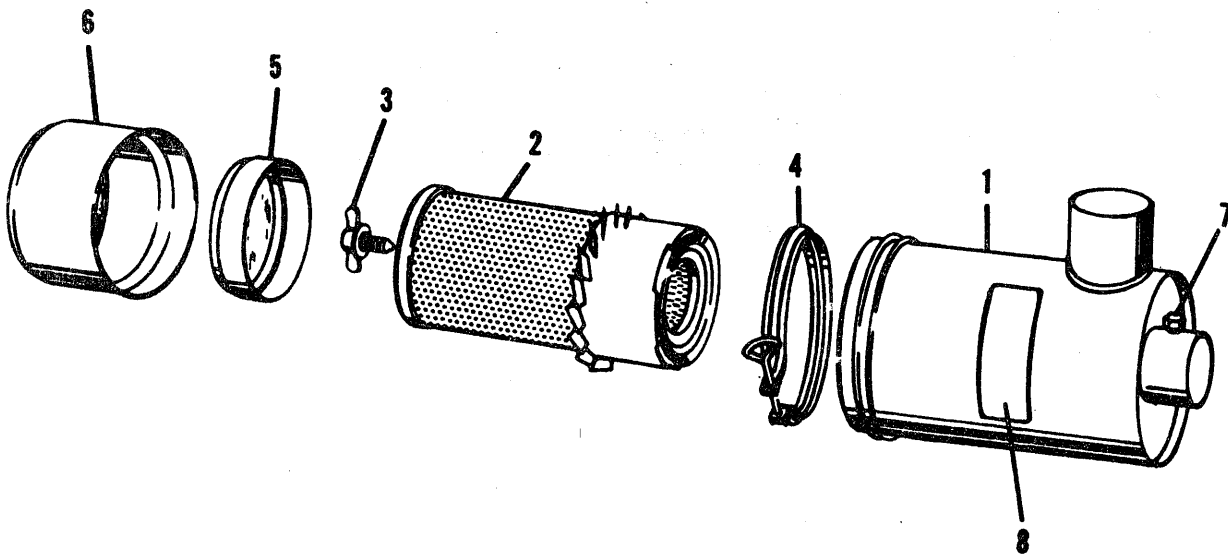
ITEM	NUMBER	QTY.	DESCRIPTION
1	0251235-8	1	MANIFOLD, exhaust
2	0257463-0	2	GASKET, manifold to head
3	0251200-2	4	STUD, manifold to head
	0251201-0	4	NUT, manifold retainer
4	0251239-0	2	GASKET, exhaust manifold outlet (Qty. 1 req'd Eff. Tractor S/N 2080 & Up)
5	0251202-8	3	STUD, flange to manifold
	0251238-2	1	WASHER, plain
	0916602-6	1	NUT, 3/8NF (Prior Tractor S/N 2080)
6	8001556-3	1	ELBOW, exhaust manifold (Prior Tr. S/N 2080) (Not Illustrated)

714B & 715B TRACTORS
AIR INTAKE & EXHAUST SYSTEM

AIR CLEANER GROUP



AIR CLEANER ASY.



714B & 715B TRACTORS
AIR INTAKE & EXHAUST SYSTEM

AIR CLEANER GROUP

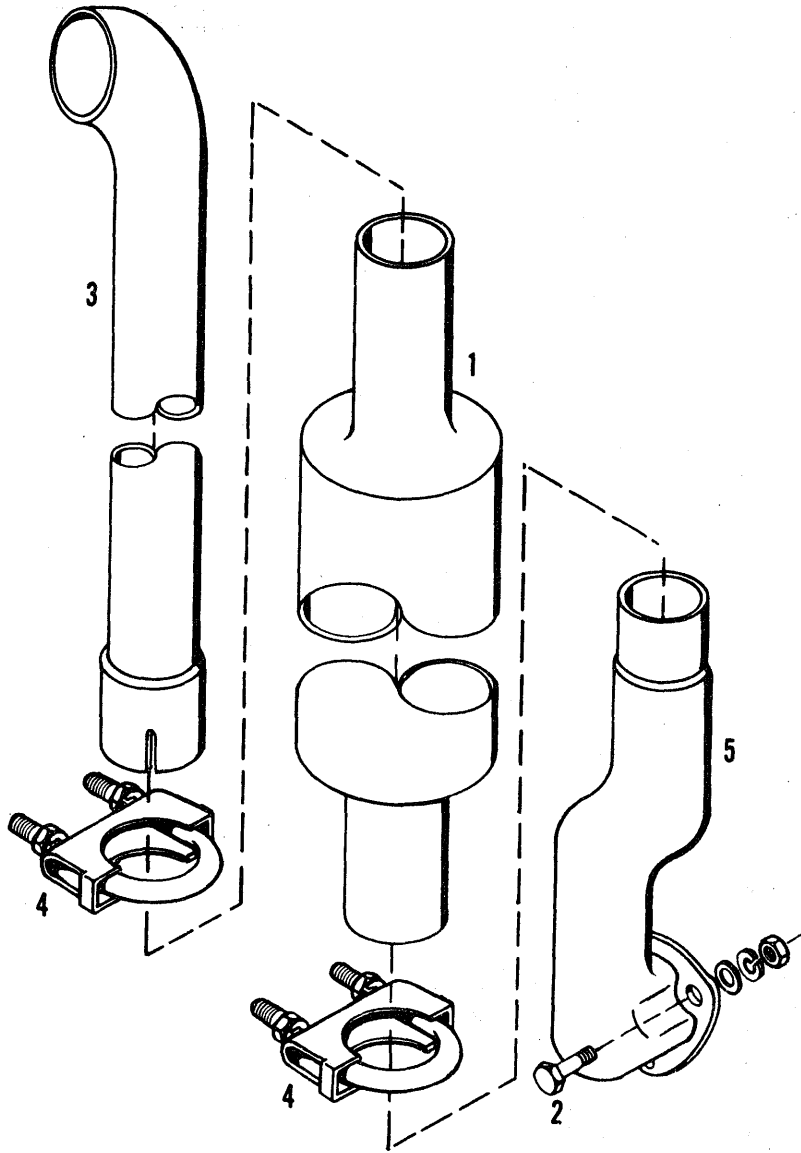
ITEM	NUMBER	QTY.	DESCRIPTION
1	1009185-8	1	AIR CLEANER (Refer to AIR CLEANER ASY. for components) (Use 1022004)
	1022004-4	1	AIR CLEANER (Refer to AIR CLEANER ASY. for components)
2	4517310-1	2	BAND ASY.
3	0921969-2	4	CAPSCREW, 3/8NC x 1
	0918266-8	4	WASHER, 3/8
	0916965-7	4	LOCKWASHER, 3/8
	0916950-9	4	NUT, 3/8NC
4	1019501-4	1	HOSE, air cleaner
5	0921914-8	2	CLAMP, hose
6	4036472-1	1	CAP, air cleaner

AIR CLEANER ASY.

ITEM	NUMBER	QTY.	QTY.	DESCRIPTION
		.	**	
-	1009185-8	1	0	AIR CLEANER ASY.
.	1022004-4	0	1	AIR CLEANER ASY. (For finer dirt)
1	-----	1	1	BODY ASY. (Not serviced)
2	1167808-3	1	0	ELEMENT ASY.
	1022005-1	0	1	ELEMENT ASY.
3	3046857-3	1	0	BOLT ASY.
	0239517-6	0	1	BOLT ASY.
4	4996247-5	1	1	CLAMP ASY.
5	0640658-1	1	1	BAFFLE
6	4996249-1	1	1	CUP ASY.
7	4055119-4	1	1	CAP
8	-----	1	0	MARKING (Not serviced)

714B & 715B TRACTORS
AIR INTAKE & EXHAUST SYSTEM

MUFFLER



714B & 715B TRACTORS
AIR INTAKE & EXHAUST SYSTEM

MUFFLER

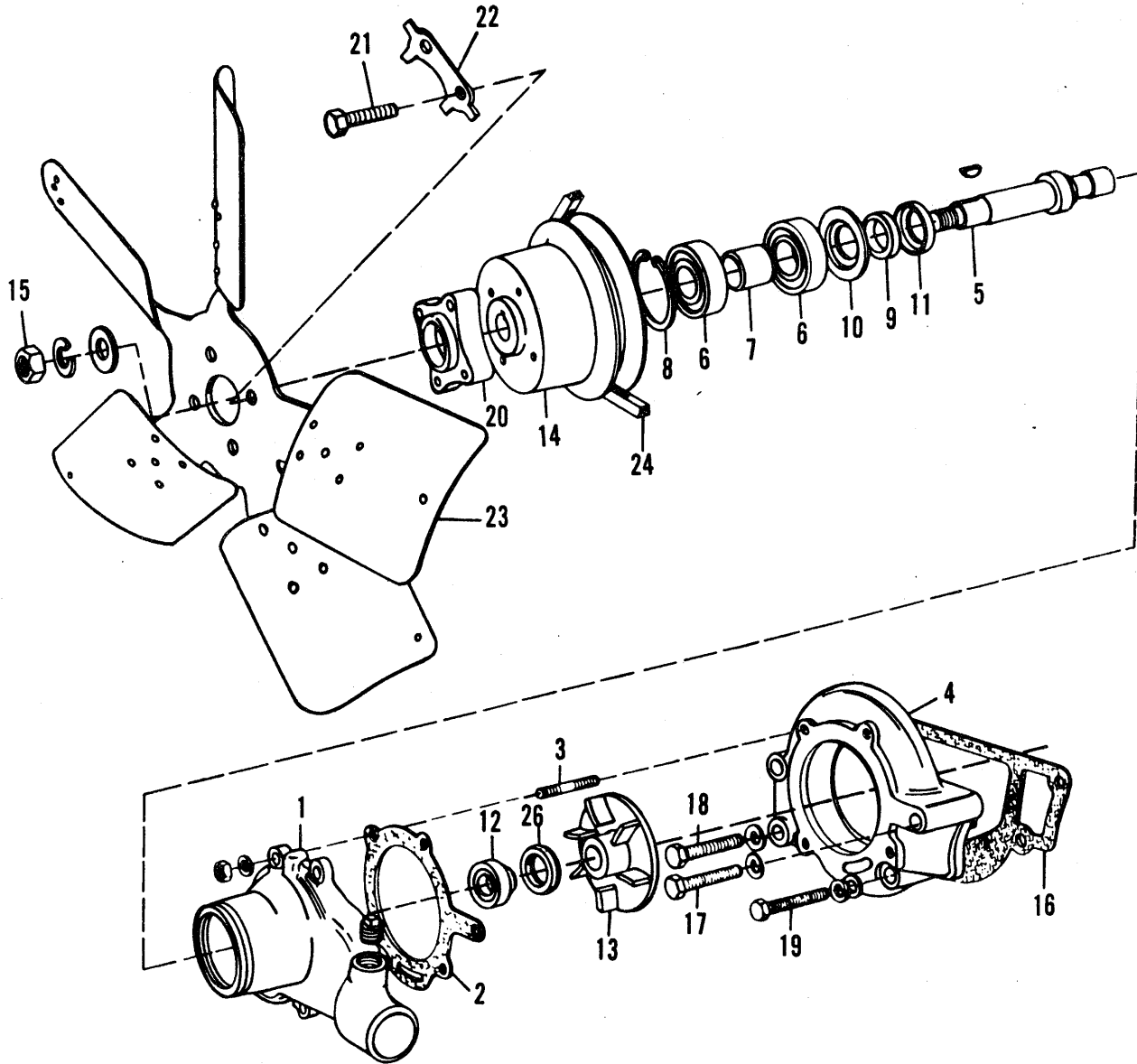
ITEM	NUMBER	QTY.	QTY.	DESCRIPTION
		*	**	
1	1016865-6	1	0	MUFFLER
	1018710-2	0	1	MUFFLER
2	0921969-2	3	3	CAPSCREW, 3/8NC x1-1/2
	0916965-7	3	3	LOCKWASHER, 3/8
	0917642-1	3	3	WASHER, 3/8
	0917421-0	3	3	NUT, lock, 3/8NC
3	1009261-7	1	0	EXTENSION, exhaust
	1018773-0	0	1	EXTENSION, exhaust
4	0930983-2	2	2	CLAMP
5	0249515-8	1	0	OUTLET, exhaust
	1018706-0	0	1	ELBOW, exhaust

*Prior S/N 2362

**Eff. S/N 2362 & Up

714B & 715B TRACTORS
COOLING SYSTEM

WATER PUMP



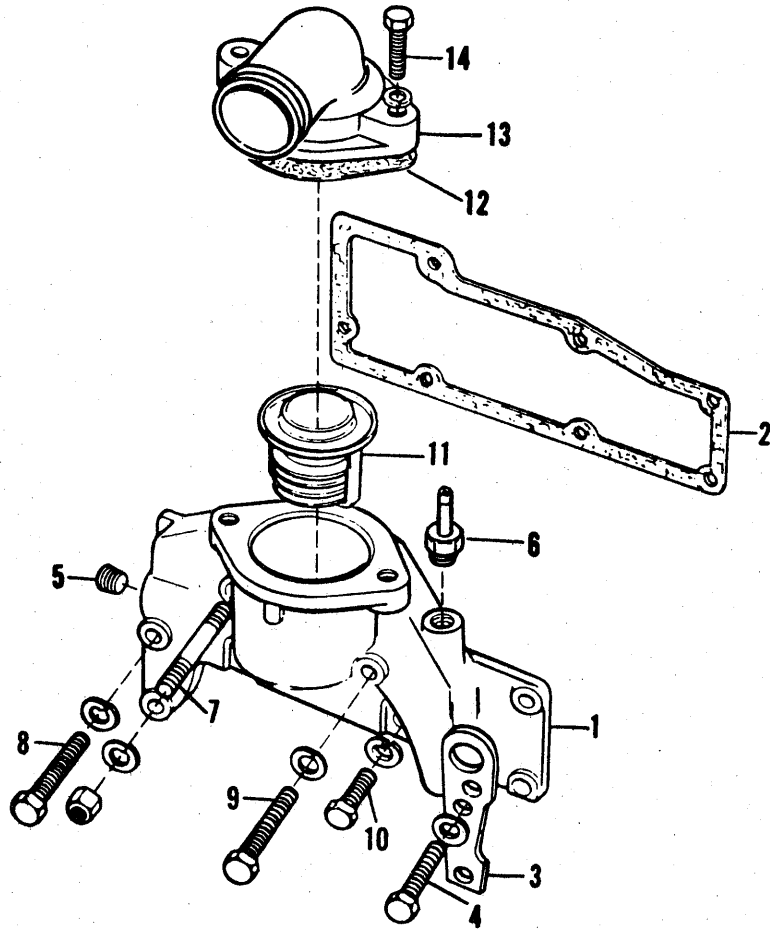
714B & 715B TRACTORS
COOLING SYSTEM

WATER PUMP

ITEM	NUMBER	QTY.	DESCRIPTION
—	1017191-6	1	PUMP ASY., water (Incl. Items 1 thru 13, 15, 25, 26 & 27)
1	-----	1	BODY, front
2	0251417-2	1	GASKET, front body to rear body
3	8001709-8	4	STUD, front body to rear body
	0917356-8	4	LOCKWASHER, 5/16
	0920263-1	4	NUT (front to rear body)
4	1017192-4	1	BODY, rear
5	-----	1	SHAFT, drive (Serviced in REPAIR KIT 1014879)
	0251366-1	1	KEY, drive shaft
6	0251380-2	2	BEARING, shaft (Serviced in REPAIR KIT 1014879)
7	-----	1	DISTANCE PIECE, pump bearing (Serviced in REPAIR KIT 1014879)
8	0251362-0	1	CIRCLIP, bearing retaining (Serviced in REPAIR KIT 1014879)
9	0251414-9	1	SEAL, front
10	-----	1	FLANGE, front seal (Serviced in REPAIR KIT 1014879)
11	-----	1	RETAINER, front seal (Serviced in REPAIR KIT 1014879)
12	1017193-2	1	SEAL, rear
13	-----	1	IMPELLER, pump (Serviced in REPAIR KIT 1014879)
14	8001599-3	1	PULLEY, pump
15	0256141-3	1	NUT, retaining, pulley
	0918268-4	1	WASHER, plain, 5/8 SAE
	0917373-3	1	LOCKWASHER, 5/8
16	0251262-2	1	GASKET, pump to block
17	0920611-1	1	CAPSCREW, 3/8NF x3-1/2 (pump to block)
	0916965-7	1	LOCKWASHER, 3/8
18	0922484-1	1	CAPSCREW, 3/8NF x2-1/2 (pump to block)
	0916965-7	1	LOCKWASHER, 3/8
19	0922484-1	2	CAPSCREW, 3/8NF x2-1/2 (pump to block)
	0251265-5	2	WASHER, plain (Prior Tractor S/N 2080)
	0916965-7	2	LOCKWASHER, 3/8
20	0251266-3	1	EXTENSION, fan
21	0920262-3	4	CAPSCREW, fan to pulley
	0917356-8	4	LOCKWASHER, 5/16
22	0917356-8	2	LOCKWASHER, 5/16 (fan retaining)
23	1005233-0	1	BLADE ASY., fan
24	0255200-8	1	BELT, fan
25	0251184-8	1	PLUG, water pump body, front
26	0256136-3	1	CENTER FACE, ceramic
—	1014879-9	—	REPAIR KIT, pump (For PUMP ASY. 1017191)

714B & 715B TRACTORS
COOLING SYSTEM

WATER OUTLET



714B & 715B TRACTORS
COOLING SYSTEM

WATER OUTLET

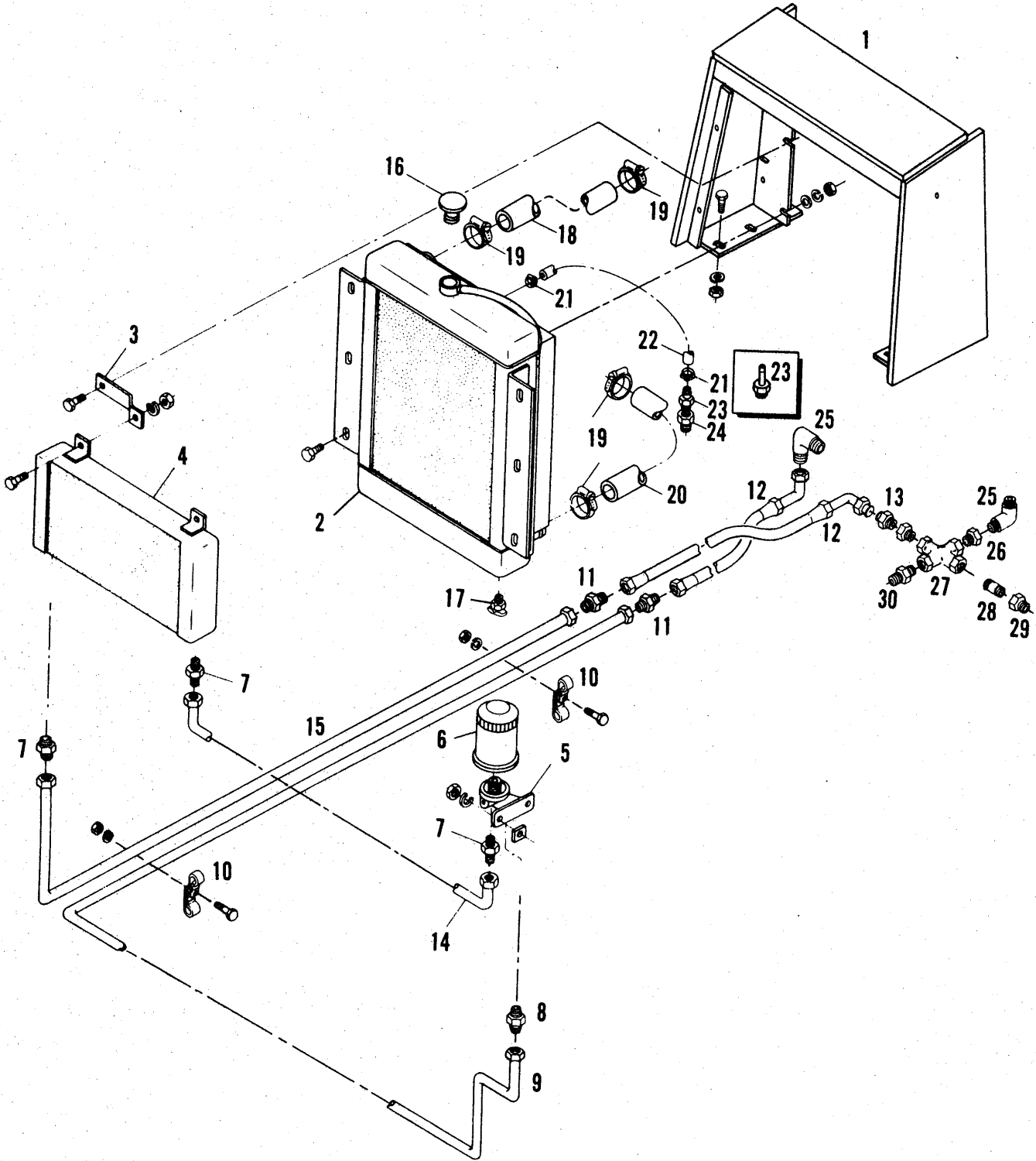
ITEM	NUMBER	QTY.	QTY.	DESCRIPTION
		*	**	
1	0254489-8	1	1	BODY, water outlet
2	0251192-1	1	1	GASKET, water outlet body
3	0251189-7	1	1	PLATE, lifting, engine, front
4	0927057-0	2	2	CAPSCREW, 1/4NF x 3/4
	0916964-0	2	2	LOCKWASHER, 1/4
5	0251184-8	1	1	PLUG, cab heater feed boss
6	1019322-5	1	1	FITTING, deaeration
7	0251191-3	1	1	STUD, water outlet to cyl. head
	0916965-7	1	1	LOCKWASHER, 3/8
	0916602-6	1	1	NUT, 3/8NF
8	0923310-7	2	2	CAPSCREW, 3/8NF x 2-3/4
	0916965-7	2	2	LOCKWASHER, 3/8
9	0923171-3	1	1	CAPSCREW, 5/16NF x 2-1/4
	0917356-8	1	1	LOCKWASHER, 5/16
10	0916206-6	2	2	CAPSCREW, 5/16NF x 7/8
	0917356-8	2	2	LOCKWASHER, 5/16
11	0254490-6	1	0	THERMOSTAT
	8009333-9	0	1	THERMOSTAT
12	0254491-4	1	0	GASKET, water outlet connection
	1018610-4	0	1	GASKET, water outlet connection
13	0251205-1	1	0	CONNECTION, water outlet
	1018609-6	0	1	CONNECTION, water outlet
14	0921986-6	2	1	CAPSCREW, 3/8NF x 1-1/2
	0916388-2	0	1	CAPSCREW, 3/8NF x 2-3/4
	0916965-7	2	2	LOCKWASHER, 3/8

*Prior Tractor S/N 2080

**Eff. Tractor S/N 2080 & Up

714B & 715B TRACTORS
COOLING SYSTEM

MISSION OIL COOLER & FILTER



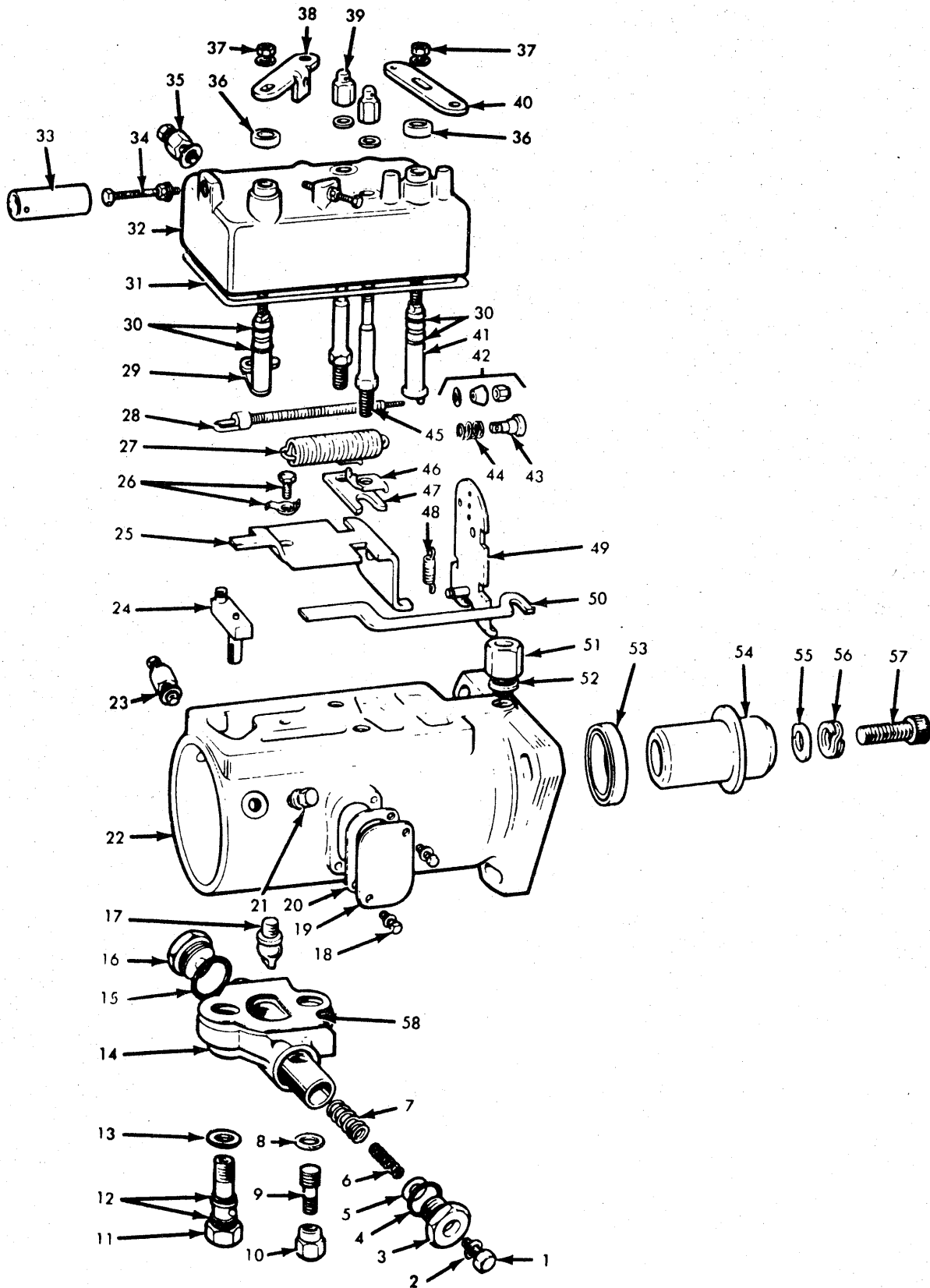
714B & 715B TRACTORS
COOLING SYSTEM

55

OIL COOLER & FILTER

ITEM	NUMBER	QTY.	DESCRIPTION
1	1017286-4	1	WEIGHT ASY., front
	0919089-3	6	CAPSCREW, 1/2NC x 1-3/4
	0918431-8	10	WASHER, 1/2
	0916966-5	6	LOCKWASHER, 1/2
	0916951-7	6	NUT, 1/2NC
2	1018809-2	1	RADIATOR
	0921210-1	12	CAPSCREW, 3/8NC x 1
	0917378-2	12	WASHER, 3/8
	0916965-7	14	LOCKWASHER, 3/8
	0916950-9	14	NUT, 3/8NC
3	1017280-7	2	BAR, cooler mounting
	0921210-1	2	CAPSCREW, 3/8NC x 1
	0917378-2	2	WASHER, 3/8
	0916965-7	2	LOCKWASHER, 3/8
	0916950-9	2	NUT, 3/8NC
4	1007977-0	1	OIL COOLER (Prior Tractor S/N 2629)
	1018979-3	1	OIL COOLER (Eff. Tractor S/N 2629 & Up)
	0921210-1	4	CAPSCREW, 3/8NC x 1
	0917378-2	4	WASHER, 3/8
	0916965-7	4	LOCKWASHER, 3/8
	0916950-9	4	NUT, 3/8NC
5	0236236-6	1	BASE, oil filter
	0917379-0	1	WASHER
	0916965-7	2	LOCKWASHER, 3/8
	0916950-9	2	NUT, 3/8NC
6	4511629-0	1	FILTER
7	0919063-8	3	CONNECTOR
8	0919205-5	1	CONNECTOR
9	1019144-3	1	TUBE ASY., transmission to filter
10	0925617-3	4	CLAMP
	0921210-1	2	CAPSCREW, 3/8NC x 1
	0916965-7	2	LOCKWASHER, 3/8
	0916950-9	2	NUT, 3/8NC
11	0919066-1	2	UNION
12	1008728-6	2	HOSE ASY.
13	0919063-8	1	CONNECTOR
14	1008731-0	1	TUBE ASY., filter to cooler (Prior Tr. S/N 2629)
	1019156-7	1	TUBE ASY., filter to cooler (Eff. Tr. S/N 2629 & Up)
15	1016906-8	1	TUBE ASY., cooler to sump (Prior Tr. S/N 2629)
	1019145-0	1	TUBE ASY., cooler to sump (Eff. Tr. S/N 2629 & Up)
16	0254891-5	1	CAP, radiator
17	0912415-7	1	COCK, drain
18	1008430-9	1	HOSE, radiator top (Prior Tractor S/N 2080)
	1017968-7	1	HOSE, radiator top (Eff. Tractor S/N 2080 & Up)
19	0925881-5	3	CLAMP, radiator hose
20	1010883-5	1	HOSE, radiator bottom
21	0921210-1	2	CLAMP, hose
22	1005516-8	1	HOSE, deaeration
23	0920801-8	1	HOSE BARB (Prior Tractor S/N 2607)
	1019332-4	1	FITTING, deaeration (Eff. Tr. S/N 2607 & Up)
24	1005517-6	1	CONNECTOR (Prior Tractor S/N 2607)
25	0919206-3	2	CONNECTOR
26	0923519-3	2	CONNECTOR
27	0901716-1	1	CROSS
28	0901500-9	1	NIPPLE
29	0901828-4	1	BUSHING, reducer
30	4760149-7	1	SENDING UNIT, transmission oil temperature
	0917365-9	1	LOCKWASHER, No. 10
	0906938-6	1	WASHER, 3/16
	0916880-8	1	NUT, No. 10NF
31	0921913-0	1	CLAMP, hose

INJECTION PUMP COMPONENTS
HOUSING & DRIVE



714B & 715B TRACTORS
FUEL SYSTEM

57

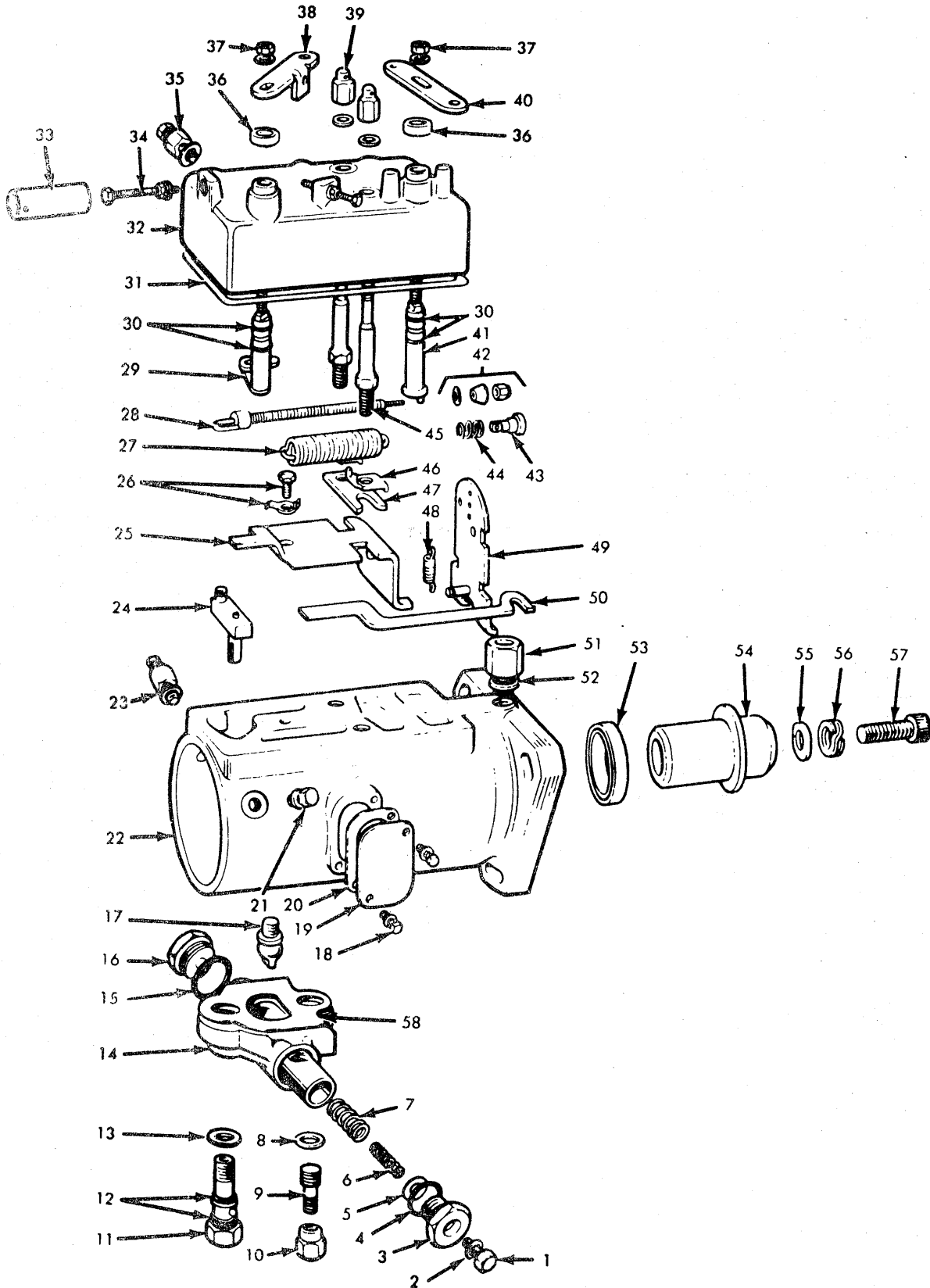
INJECTION PUMP COMPONENTS
HOUSING & DRIVE

ITEM	NUMBER	QTY.	DESCRIPTION
1	0252005-4	1	SCREW, for cap
2	0252008-2	1	WASHER, capscrew
3	0252003-9	1	CAP, piston spring
4	0252002-1	1	SEAL, spring cap
5	0252007-0	*	WASHER, shim (0.2 mm) (*Use as req'd)
	0252008-8	*	WASHER, shim (0.5 mm) (*Use as req'd)
	1005169-6	*	WASHER, shim (1.0 mm) (*Use as req'd)
	0252010-4	*	WASHER, shim (2.0 mm) (*Use as req'd)
6	0252000-5	1	SPRING, piston, inner
7	1005167-0	1	SPRING, piston, outer
8	0251997-3	1	WASHER, cap nut
9	0251995-7	1	STUD, housing
10	0251996-5	1	NUT, cap
11	1005170-4	1	STUD, head locating
12	1005171-2	2	SEAL, for stud
13	0252013-8	1	WASHER, for stud
14	0252017-9	1	HOUSING & PISTON
15	0252002-1	1	SEAL, for plug
16	0252001-3	1	PLUG, piston
17	0251998-1	1	SCREW, cam advance
18	0251951-0	2	SCREW, cover plate
	0251952-8	2	WASHER, shakeproof
19	0251949-4	1	PLATE, cover
20	0251950-2	1	GASKET, cover plate
21	0251924-7	1	SCREW, head locking
	0251925-4	1	WASHER
22	1008046-3	1	HOUSING, pump
23	0251926-2	1	SCREW ASY., head vent (Incls. SCREWS & WASHER)
	0251927-0	1	SCREW, head, vented
	0251928-8	1	SCREW, vent
	0251925-4	1	WASHER
24	0251973-4	1	VALVE, metering
	0251974-2	1	VALVE, metering (o/s)
25	0251959-3	1	BRACKET, control
26	0251960-1	1	SCREW, for bracket
	0251961-9	1	WASHER, tab
27	0252016-1	1	SPRING, governor (Used w/ PUMP 1010316)
	1018415-8	1	SPRING, governor (Used w/ PUMP 1018413)
28	0251970-0	1	HOOK, linkage
	0251971-8	1	SPRING, linkage
	0251972-6	1	RETAINER, spring
29	0251981-7	1	SHAFT, throttle (Incls. Item 30)
30	0251977-5	4	SEAL

Continued

714B & 715B TRACTORS
FUEL SYSTEM

INJECTION PUMP COMPONENTS
HOUSING & DRIVE



714B & 715B TRACTORS
FUEL SYSTEM

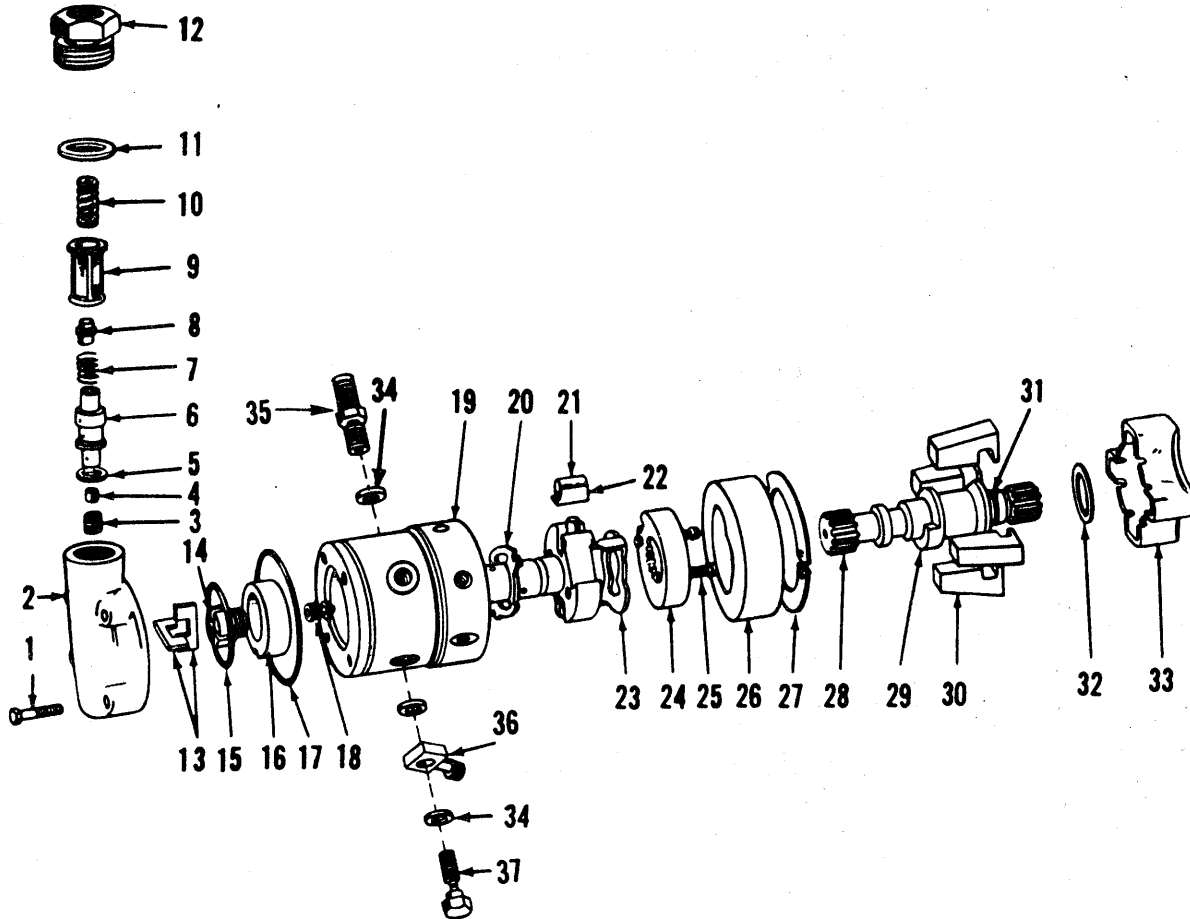
59

INJECTION PUMP COMPONENTS
HOUSING & DRIVE

ITEM	NUMBER	QTY.	DESCRIPTION
31	0251948-6	1	GASKET, housing
32	0251985-8	1	COVER, control
33	0251989-0	1	SLEEVE, locking
34	0251986-6	2	SCREW, adjusting
	0251980-9	6	NUT, screw
	0251988-2	2	WASHER
35	0251990-8	1	SCREW ASY., vent (Incls. SCREWS & WASHER)
	1005165-4	1	SCREW, vent body
	0251928-8	1	SCREW, vent
	0251993-2	1	WASHER
36	0251979-1	2	CAP, dust
37	0251980-9	2	NUT
	0251952-8	2	WASHER
38	1008049-7	1	ARM, throttle
39	0251963-5	2	NUT, for stud
	0251964-3	2	WASHER
40	0251978-3	1	LEVER, shut-off
41	0251976-7	1	SHAFT, shut-off
42	0251965-0	1	NUT, linkage
	0251967-6	1	NUT, lock (Not shown)
	0251968-4	1	WASHER, pivot ball
	0251966-8	1	WASHER (Not shown)
	0251969-2	1	WASHER, linkage
43	0251984-1	1	GUIDE, idler spring
44	0251983-3	1	SPRING, idling
45	0251962-7	2	STUD, control cover
46	0251958-5	1	WASHER, tab
47	0251957-7	1	PLATE, keep
48	0251956-9	1	SPRING, governor arm
49	1008047-1	1	GOVERNOR ARM
50	0251975-9	1	BAR, shut-off
51	0251953-6	1	CONNECTION, drain
52	0251923-9	1	WASHER
53	0251946-0	1	SEAL, hub drive
54	0251945-2	1	HUB, drive
55	0251944-5	1	WASHER, support
56	0251943-7	1	WASHER, spring
57	0251942-9	1	SCREW, drive shaft
58	0251994-0	1	GASKET, housing
-	1005173-8	-	GASKET KIT

714B & 715B TRACTORS
FUEL SYSTEM

INJECTION PUMP COMPONENTS
TRANSFER PUMP, HEAD & ROTOR



714B & 715B TRACTORS
FUEL SYSTEM

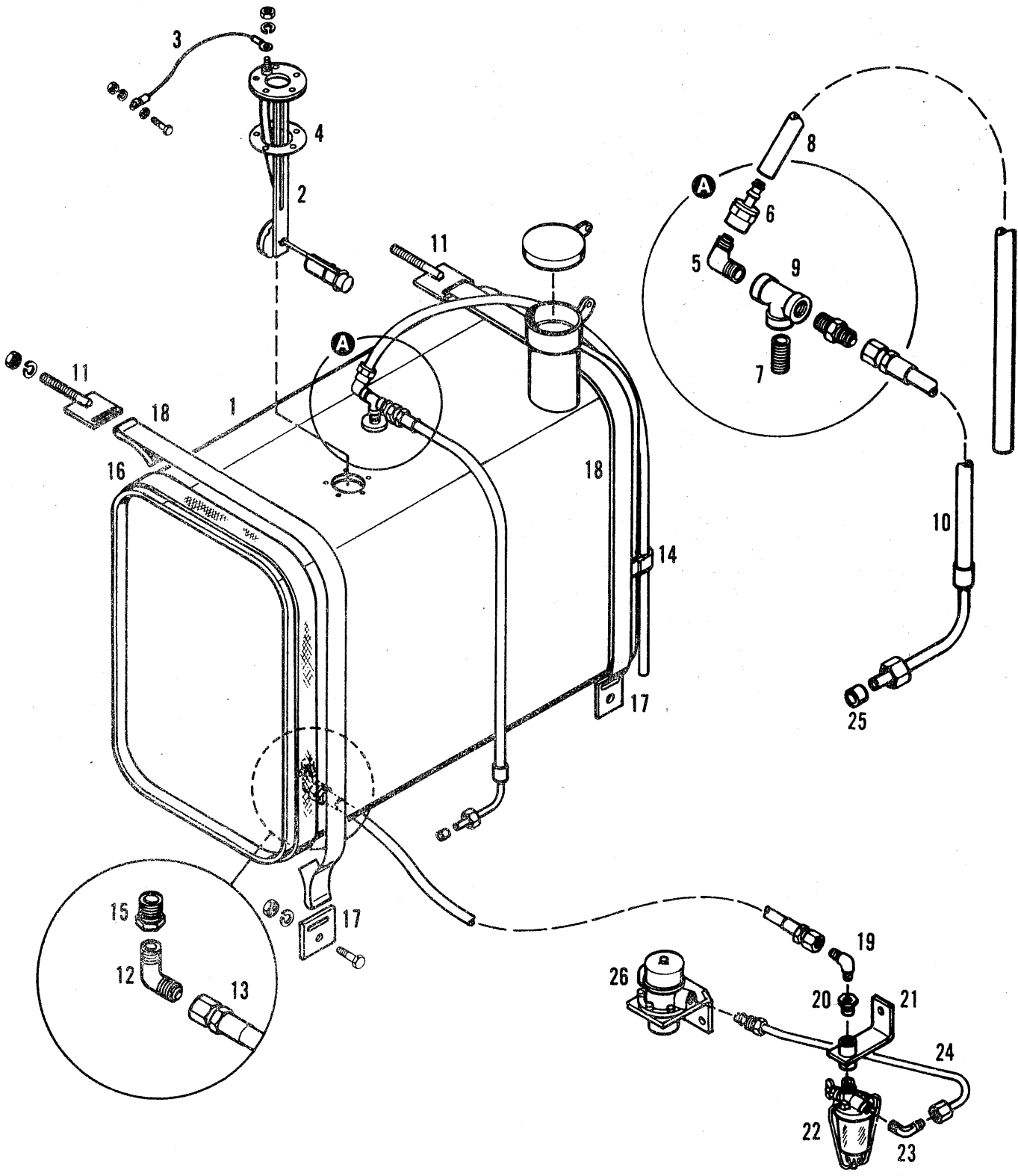
61

INJECTION PUMP COMPONENTS
TRANSFER PUMP, HEAD & ROTOR

ITEM	NUMBER	QTY.	DESCRIPTION
1	0251902-3	4	SCREW, end plate
2	1005145-6	1	PLATE, end
3	0251903-1	1	SPRING, piston
4	0251904-9	1	PISTON, regulating
5	0251906-4	1	WASHER, sleeve
6	0251905-6	1	SLEEVE, regulating
7	0251908-0	1	SPRING, regulating
8	0252014-6	1	PLUG, regulating
9	0251907-2	1	FILTER
10	0251909-8	1	SPRING, retaining, sleeve
11	0251911-4	1	WASHER, inlet
12	0251910-6	1	CONNECTION, inlet
13	0251913-0	2	BLADE, transfer pump
14	0251912-2	1	ROTOR, transfer pump
15	0251915-5	1	SEAL, transfer pump
16	0251914-8	1	LINER, transfer pump
17	0251919-7	1	SEAL, distributor head
18	0251917-1	1	SCREW, plugging
	0251918-9	1	WASHER
19	1010365-3	1	HEAD & ROTOR ASY.
20	0251929-6	1	PLATE, adjusting, bottom
21	0271714-8	2	ROLLER
22	0251930-4	2	SHOE, roller
23	0251932-0	1	PLATE, adjusting, top
24	0251933-8	1	PLATE, drive
25	0251934-6	2	SCREW, drive
26	0252015-3	1	CAM, ring
27	0251935-3	1	CIRCLIP
28	1010370-3	1	SHAFT, drive
29	2080467-0	1	SLEEVE, thrust
30	0251936-1	3	WEIGHT, governor (Used w/ PUMP 1010316)
	2080489-4	6	WEIGHT, governor (Used w/ PUMP 1018413)
31	0251941-1	1	SEAL, drive shaft
32	2080471-2	1	WASHER, thrust
33	0251937-9	1	RETAINER, weight
34	0251923-9	9	WASHER, connection
35	0251922-1	1	CONNECTION
36	0251920-5	3	BANJO, short screwed
37	0251921-3	3	STUD, fuel connection
-	1005173-8	-	GASKET KIT

714B & 715B TRACTORS
FUEL SYSTEM

FUEL TANK & LINES



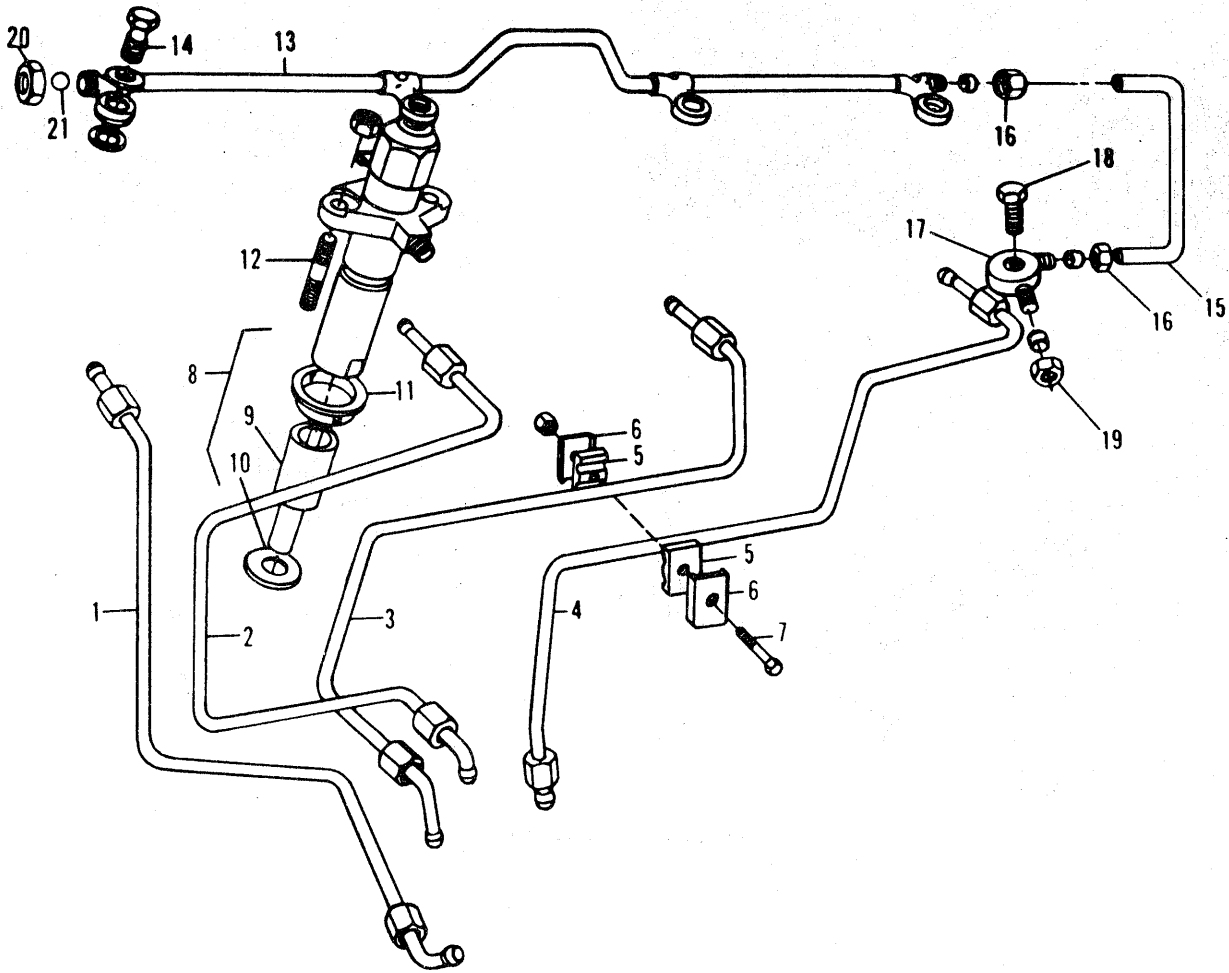
714B & 715B TRACTORS
FUEL SYSTEM

FUEL TANK & LINES

ITEM	NUMBER	QTY.	DESCRIPTION
1	1016758-3	1	FUEL TANK, w/ lock cap
	1018021-4	1	CAP, lock
2	1018032-1	1	SENDING UNIT, fuel level
3	1007863-2	1	WIRE, ground
	0921210-1	1	CAPSCREW, 3/8NC x 1
	0917378-2	1	LOCKWASHER, int. tooth, 3/8
	0916950-9	1	NUT, 3/8NC
	0917365-9	1	LOCKWASHER, No. 10
	0916880-8	1	NUT, No. 10NF
4	0241522-2	1	GASKET
5	0910161-9	1	FITTING, 7/16NF
6	0920805-9	1	FITTING, 7/16NF
7	0901467-1	1	FITTING, 3/4" long
8	1017908-3	1	HOSE
9	0901702-1	1	FITTING, tee
10	1016927-4	1	HOSE ASY., drip line
	0910141-1	1	FITTING
11	1004292-7	2	CLIP ASY., fuel tank band
	0917378-2	2	WASHER, 3/8
	0916950-9	2	NUT, 3/8NC
12	0910279-9	1	ELBOW, 90°
13	1016926-6	1	HOSE ASY., fuel line
14	0927155-2	1	CLAMP, insulated
15	0901826-8	1	FITTING, pipe, 3/8 x 1/4
16	-----	2	TAPE, cushion (Not serviced)
17	1016924-1	2	CLIP, fuel tank band
	0921210-1	2	CAPSCREW, 3/8NC x 1
	0917378-2	2	WASHER, 3/8
	0916950-9	2	NUT, 3/8NC
18	1016925-8	2	STRAP, tank
19	0910279-9	1	ELBOW, 90°
20	0901826-8	1	BUSHING
21	1012543-3	1	BRACKET
22	0237946-9	1	FILTER, fuel
23	0919767-4	1	ELBOW, 90°
24	1018789-6	1	HOSE
25	1007417-7	1	SLEEVE
26	0257232-9	1	PUMP ASY., fuel (Refer to FUEL LIFT PUMP for component parts)

714B & 715B TRACTORS
FUEL SYSTEM

NOZZLE HOLDER & INJECTION LINES



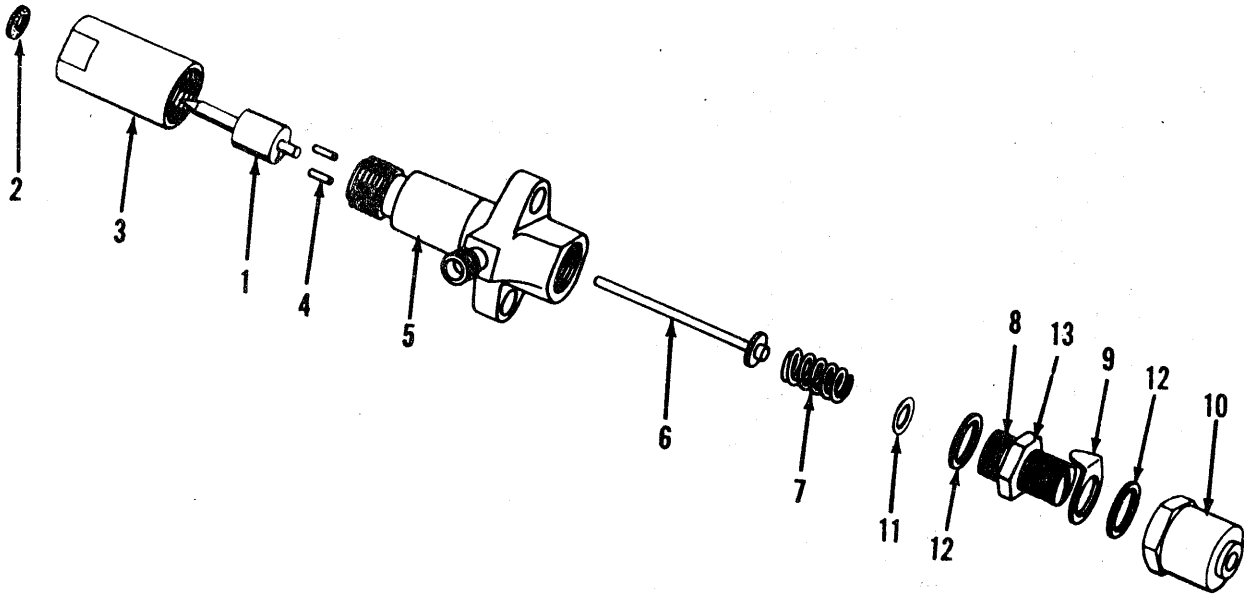
714B & 715B TRACTORS
FUEL SYSTEM

65

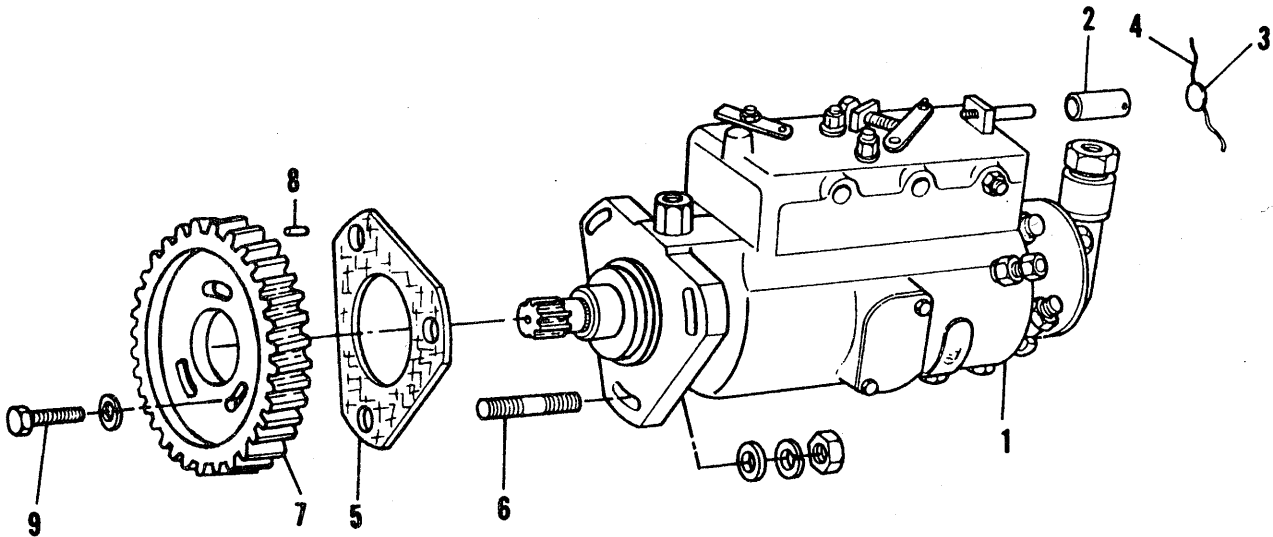
NOZZLE HOLDER & INJECTION LINES

ITEM	NUMBER	QTY.	DESCRIPTION
1	0251295-2	1	PIPE, fuel injection, No. 1 cylinder
2	0251298-6	1	PIPE, fuel injection, No. 2 cylinder
3	0251299-4	1	PIPE, fuel injection, No. 3 cylinder
4	1007687-5	1	PIPE, fuel injection, No. 4 cylinder
5	0251301-8	4	DAMPER, pipe vibration
6	0251302-6	4	PLATE, damper retaining
7	0926309-6	2	BOLT, damper, No. 10NC x 1
	0926024-1	2	NUT, retaining, No. 10NC
8	0257426-7	4	HOLDER ASY., inj. nozzle (Incls. Items 9 & 10) (Refer to NOZZLE HOLDER ASY.)
9	1010379-4	4	NOZZLE, injector
10	0251284-6	4	WASHER, injector setting
11	0251285-3	4	SHIELD, dust, injector
12	0251203-6	8	STUD, injector to head
	0920263-1	8	NUT, retaining, 5/16NF
13	0257263-4	1	PIPE, injection leak-off
14	0251292-9	4	BOLT, banjo, leak-off pipe
	0251294-5	8	WASHER, banjo bolt
15	1010421-4	1	PIPE, leak-off to secondary filter
16	0251326-5	2	NUT, leak-off pipe
	0251327-3	2	FERRULE, pipe nut
17	1010422-2	1	CONNECTOR, banjo
18	1010465-1	1	BOLT, banjo connection
	0251317-4	2	WASHER, adapter
19	8009439-4	1	NUT, return pipe
	0911435-6	1	OLIVE
20	0912064-3	1	NUT
	0912367-0	1	OLIVE
21	0257265-9	1	BALL, nut
-	0255432-7	1	GASKET KIT (Incls. Item 10)

NOZZLE HOLDER ASY.



FUEL INJECTION PUMP & DRIVE



714B & 715B TRACTORS
FUEL SYSTEM

67

NOZZLE HOLDER ASY.

ITEM	NUMBER	QTY.	QTY.	DESCRIPTION
		*	**	
-	0257426-7	4	0	HOLDER ASY., nozzle
	1018618-7	0	4	HOLDER ASY., nozzle
1	1010379-4	1	0	NOZZLE, injector
	1018619-5	0	1	NOZZLE ASY., injector
	1018620-3	0	1	HOLDER
2	0251284-6	1	0	WASHER, injector, seating
3	0252019-5	1	0	NUT, nozzle cap
4	0252020-3	-	0	DOWEL (Use as req'd)
5	1007962-2	1	0	BODY
6	0252022-9	1	0	SPINDLE
7	0252023-7	1	0	SPRING
8	0252025-2	1	0	NUT, spring cap
9	1007966-3	1	0	WASHER, tab
10	1010384-4	1	0	NUT, nozzle holder cap
11	0252024-5	1	0	WASHER, shim
12	0252028-6	2	0	WASHER
13	0252026-0	1	0	LOCKNUT

*Prior Tractor S/N 2080

**Eff. Tractor S/N 2080 & Up

FUEL INJECTION PUMP & DRIVE

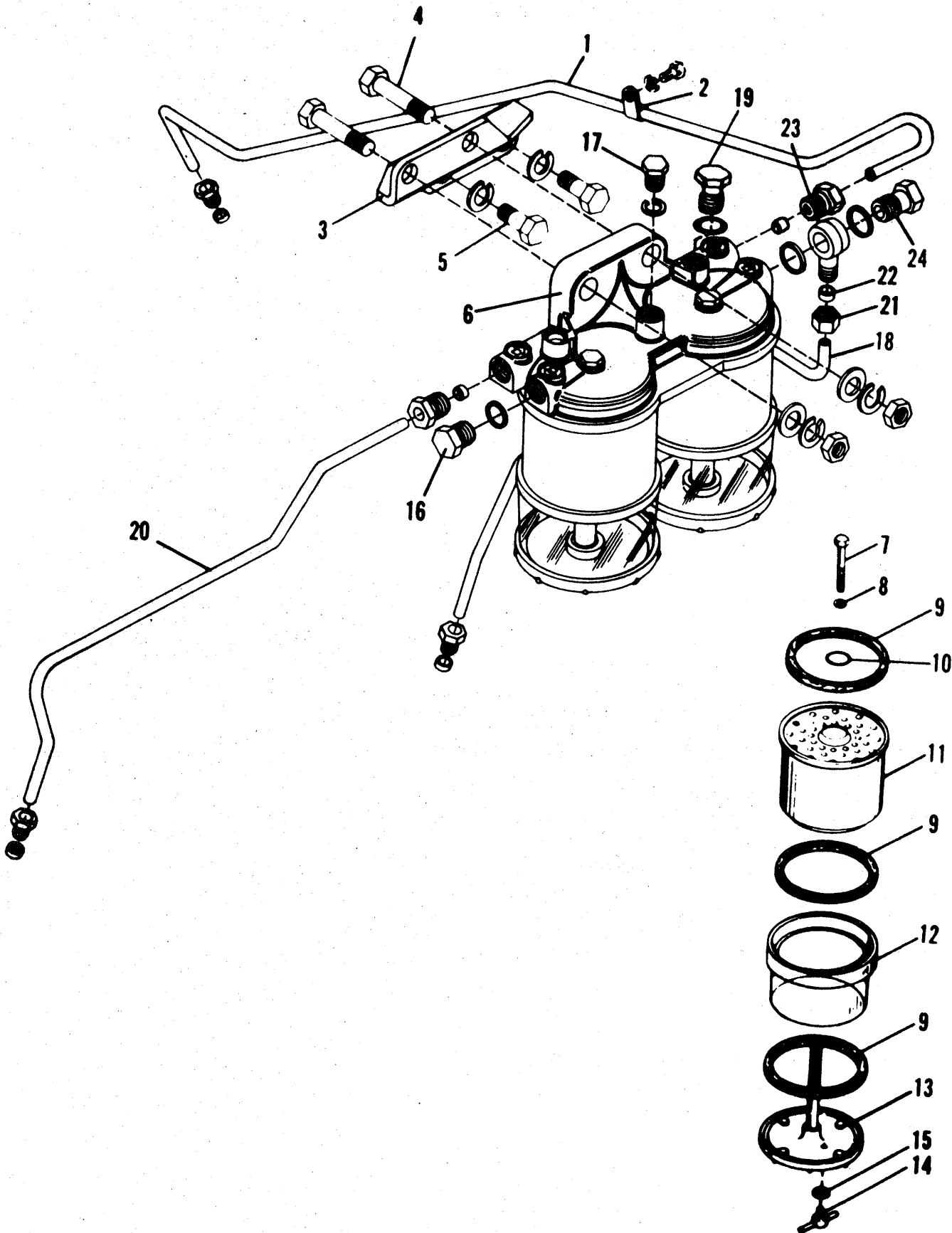
ITEM	NUMBER	QTY.	QTY.	DESCRIPTION
		*	**	
1	1010316-6	1	0	PUMP ASY. (Refer to PUMP ASY. for components) (Use 1018413)
	1018413-3	0	1	PUMP ASY. (Refer to PUMP ASY. for components)
2	0251271-3	1	1	SLEEVE, lever adjust screw
3	0251272-1	1	1	SEAL, screw sleeve
4	0251273-9	1	1	WIRE, seal
5	0251269-7	1	1	GASKET, pump to gear housing
6	0251088-1	3	3	STUD, pump to gear
	0251089-9	3	3	WASHER, plain
	0917356-8	3	3	LOCKWASHER, 5/16
	0920263-1	3	3	NUT, retaining, 5/16NF
7	1017185-8	1	1	GEAR, driving
8	0251276-2	1	1	DOWEL, gear locating
9	0921515-3	3	3	CAPSCREW, gear to pump
	0917356-8	3	3	LOCKWASHER, 5/16

*Prior Tractor S/N 2080

**Eff. Tractor S/N 2080 & Up

714B & 715B TRACTORS
FUEL SYSTEM

FUEL FILTERS & LINES



714B & 715B TRACTORS
FUEL SYSTEM

FUEL FILTERS & LINES

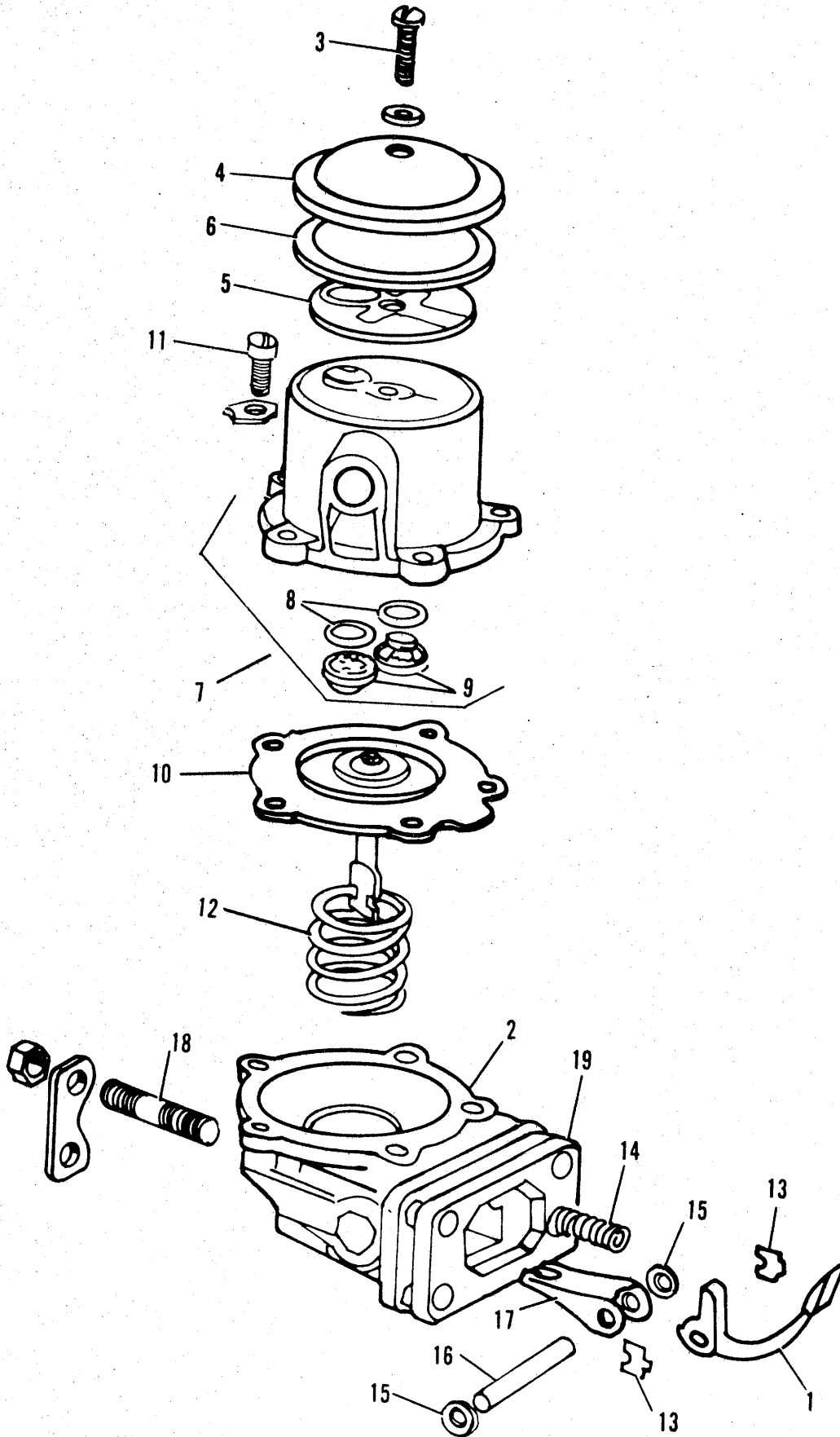
ITEM	NUMBER	QTY.	QTY.	DESCRIPTION
		.	**	
1	1010464-4	1	1	PIPE ASY., lift pump to filter
	0251312-5	2	2	NUT, pipe
	0251313-3	2	2	SLEEVE, pipe
2	0251320-8	1	1	CLIP, oil pipe
3	1017199-9	1	1	BRACKET, fuel filter
4	0921987-4	2	2	BOLT, 3/8NF x 1-3/4, filter to bracket
	0915815-5	1	1	WASHER, plain, 3/8
	0916965-7	1	1	LOCKWASHER, 3/8
	0916602-6	1	1	NUT, 3/8NF, filter retaining
5	0916382-5	2	2	BOLT, 3/8NF x 7/8, bracket to engine
	0916965-7	1	1	LOCKWASHER, 3/8
6	1007680-0	1	0	FILTER ASY., (Incl. Items 7 thru 15)
	1018375-4	0	1	FILTER ASY.
	1018407-5	0	1	HEAD
7	0252047-6	2	2	BOLT, center
8	0252048-4	2	0	WASHER, bolt
	2091276-2	0	2	WASHER, bolt
9	0251365-3	6	0	SEAL
	1018380-4	0	4	SEAL
	1018379-6	0	2	SEAL
10	0252049-2	2	0	SEAL
	0251977-5	0	2	SEAL
11	0251397-6	2	2	ELEMENT KIT, filter (Incl. Items 9 & 10)
12	0252051-8	2	0	BOWL, glass
	----	0	2	BOWL, aluminum (Order BASE ASY. 1018409)
13	1023775-8	2	0	BASE ASY.
	1018409-1	0	2	BASE
14	0252052-6	2	2	PLUG, drain
15	0252053-4	2	2	WASHER, plug
16	0251308-3	1	1	PLUG, filter
	0251309-1	1	1	WASHER, plug
17	0251310-9	1	1	PLUG, filter, top
	0251014-7	1	1	WASHER, plug
18	1007682-6	1	1	PIPE ASY., filter to pump
	0251312-5	2	2	NUT, pipe
	0251313-3	2	2	SLEEVE, pipe
19	1010422-2	1	1	CONNECTOR, banjo
20	1007684-2	1	1	PIPE ASY., pump to filter return
	0251312-5	2	2	NUT, pipe
	0251313-3	2	2	SLEEVE, pipe
21	1005076-3	1	1	NUT, pipe, filter end
22	1005077-1	1	1	SLEEVE, pipe, filter end
23	1005071-4	1	1	CONNECTOR, filter banjo
24	1005072-2	1	1	BOLT, banjo connection
	1005073-0	1	1	WASHER, bolt
	1005074-8	1	1	WASHER, bolt

*Glass Bowl Filter

**Aluminum Bowl Filter

714B & 715B TRACTORS
FUEL SYSTEM

FUEL LIFT PUMP



714B & 715B TRACTORS
FUEL SYSTEM

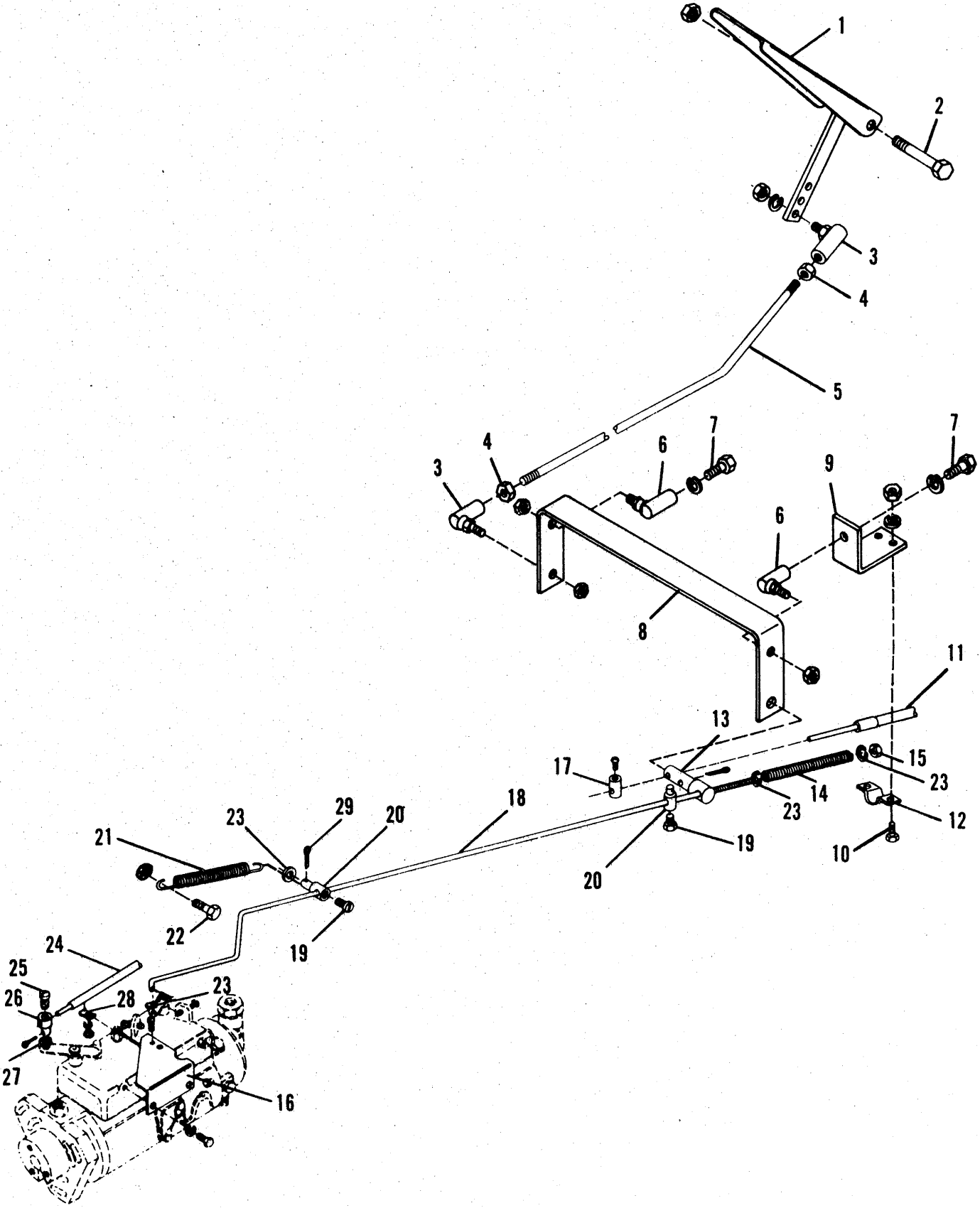
71

FUEL LIFT PUMP

ITEM	NUMBER	QTY.	DESCRIPTION
-	0257232-9	1	PUMP ASY., lift
1	-----	1	ARM ASY., lift (Use 257232)
2	-----	1	BODY ASY., pump (Serviced in PUMP ASY. 257232)
3	-----	1	SCREW, head (Serviced in PUMP ASY. 257232)
	0257356-6	1	WASHER, screw (Serviced in REPAIR KIT 1014735)
4	0257409-3	1	COVER, filter
5	0257410-1	1	SCREEN, filter (Serviced in REPAIR KIT 1014735)
6	0257377-2	1	GASKET, filter cover (Serviced in REPAIR KIT 1014735)
7	-----	1	COVER & VALVE ASY. (Serviced in PUMP ASY. 257232)
8	-----	2	GASKET, valve seating (Serviced in REPAIR KIT 1014735)
9	-----	2	VALVE ASY. (Use PUMP ASY. 257232)
10	-----	1	ROD ASY., diaphragm & pull (Serviced in REPAIR KIT 1014735)
11	-----	5	SCREW, cover (Serviced in PUMP ASY. 257232)
	-----	5	WASHER (Serviced in PUMP ASY. 257232)
12	1012054-1	1	SPRING, diaphragm
13	-----	2	CLIP, retaining (Serviced in REPAIR KIT 1014735)
14	-----	1	SPRING, return (Serviced in REPAIR KIT 1014735)
15	-----	2	WASHER (Serviced in REPAIR KIT 1014735)
16	-----	1	PIN, rocker arm (Serviced in PUMP ASY. 257232)
17	0257421-8	1	LINK
18	0257233-7	4	STUD, block to pump
	0251069-1	4	NUT, retaining
19	0257231-1	1	GASKET, pump to block
-	1014735-3	-	REPAIR KIT (Incl. Items 5, 6, 8, 9, 10, 14 & WASHER)

714B & 715B TRACTORS
FUEL SYSTEM

ENGINE FUEL CONTROLS



714B & 715B TRACTORS
FUEL SYSTEM

ENGINE FUEL CONTROLS

ITEM	NUMBER	QTY.	DESCRIPTION
1	1010932-0	1	PEDAL ASY., foot
2	0931645-6	1	CAPSCREW, 1/4NC x3-3/4
	0920397-7	1	NUT, lock, 1/4NC
3	0925040-8	2	JOINT, ball (Use 1-930435, 1-929046, 1-918264 & 1-262983)
	0916964-0	1	LOCKWASHER, 1/4
	0914192-0	1	NUT, 1/4NF
4	0920437-1	2	NUT, jam, 1/4NF
5	1016903-5	1	ROD, throttle
6	0928219-5	2	JOINT, ball
	0924332-0	1	NUT, jam, 3/8NF
7	0921985-8	1	CAPSCREW, 3/8NF x1
	0916965-7	1	LOCKWASHER, 3/8
8	1016890-4	1	BELLCRANK ASY., throttle
9	1016902-7	2	SUPPORT, cable
10	0917388-1	2	CAPSCREW, No. 10NC x3/4
	0917365-9	2	LOCKWASHER, No. 10
	0916621-6	2	NUT, No. 10NC
11	1016142-0	1	CABLE ASY., throttle
	1023672-7	1	T-HANDLE (Morse)
	1023673-5	1	T-HANDLE (Cablecraft)
	0925615-7	2	CLAMP, cable
	0925094-5	2	TIE, wrap
12	1006969-8	1	CLAMP, cable
13	1009746-7	1	PIN, pivot
	0918448-2	1	PIN, cotter, 3/32 x 1
14	0242611-2	1	SPRING
15	0920397-7	1	NUT, 1/4NC
16	0252444-5	1	BRACKET
	0920637-6	2	CAPSCREW, 1/4NF x 1/2
	0916964-0	2	LOCKWASHER, 1/4
17	1006360-0	1	CLAMP, wire
	0930547-5	1	SETSCREW, No. 10NC x3/8
18	1009249-2	1	ROD, throttle
	0929585-8	1	PIN, cotter, 1/16 x 1
19	0903807-6	2	SETSCREW, 1/4NC x3/8
20	0229902-2	2	PIN
21	3014226-9	1	SPRING
22	0920622-8	1	CAPSCREW, 5/16NF x 1
	0920438-9	1	NUT, jam, 1/4 SAE
23	0918264-3	4	WASHER
24	1008244-4	1	CABLE ASY., fuel shut-off
25	0920241-7	1	SCREW, No. 10NF
26	1013510-1	1	PIN, cable clamp
	0923360-2	1	PIN, cotter, 1/16 x 1/2
27	0910243-5	1	WASHER, No. 10 SAE
28	4047137-7	1	CLAMP, cable
	0922698-6	1	SCREW, No. 8NC x 1/2
	0917395-6	1	LOCKWASHER, No. 8
	0917385-7	1	NUT, No. 8NC
29	0929585-8	1	PIN, cotter, 1/16 x 1

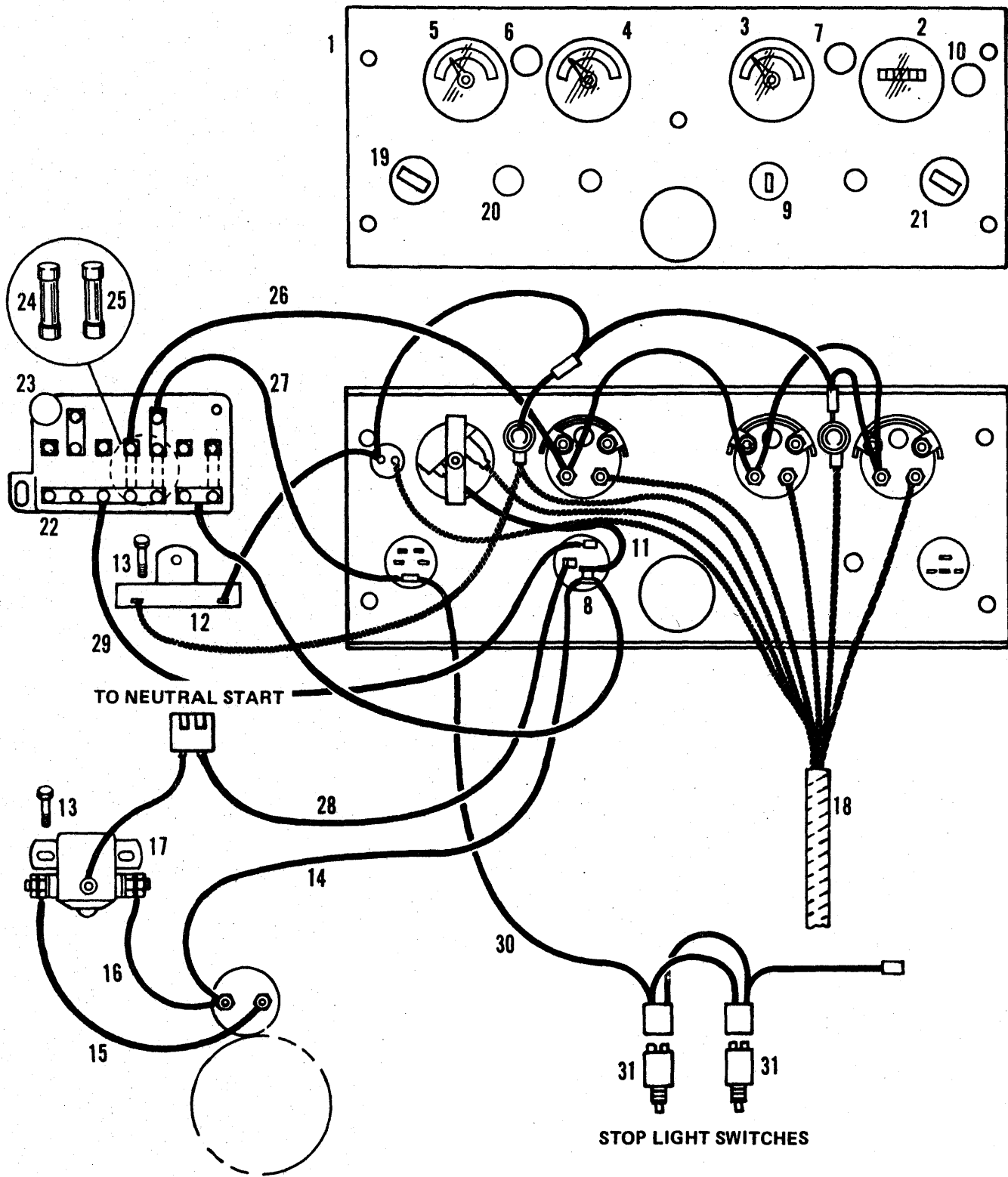
714B & 715B TRACTORS
ELECTRICAL & INSTRUMENTS

75

ELECTRICAL GROUP

ITEM	NUMBER	QTY.	DESCRIPTION
1	1017361-5	1	ALTERNATOR ASY. (Refer to ALTERNATOR ASY. group for component parts)
	1019028-8	1	ALTERNATOR (Metric)
2	0256650-3	1	FAN, alternator
3	0249693-3	1	PULLEY, alternator
4	4054799-4	1	NUT, shaft
	0237006-2	1	LOCKWASHER
5	0251336-4	1	LEVER, alternator (Prior Tractor S/N 2080)
	8001607-4	1	LEVER, alternator (Eff. Tractor S/N 2080 & Up)
	0921984-1	1	CAPSCREW, 3/8NF x 3/4
	0916965-7	1	LOCKWASHER, 3/8
6	0914670-5	1	CAPSCREW, 5/16NC x 1-1/8
	0950019-0	1	CAPSCREW, M8-1.25 x 25 mm (Metric)
	0918265-0	1	WASHER, 5/16
	0917356-8	1	LOCKWASHER, 5/16
7	1010306-7	1	BRACKET, alternator mtg. (Prior Tr. S/N 2080)
	8001605-8	1	BRACKET, alternator mtg. (Eff. Tr. S/N 2080 & Up)
	0916206-6	3	CAPSCREW, 5/16NF x 7/8
	0251089-9	3	WASHER
	0917356-8	3	LOCKWASHER, 5/16
8	0251265-5	1	SPACER (Prior Tractor S/N 2080)
9	8001501-9	1	BUSHING, alternator
10	0922918-8	1	CAPSCREW, 3/8NC x 3-1/4 (Prior Tractor S/N 2080)
	0916390-8	1	CAPSCREW, 3/8NF x 3-3/4 (Eff. Tr. S/N 2080 & Up)
	0915815-5	1	WASHER, 5/16
	0916965-7	1	LOCKWASHER, 3/8
11	1008012-5	1	MOTOR ASY., starting (Refer to STARTING MOTOR group for component parts)
12	1005037-5	1	SPACER, starter motor
13	0921971-8	3	CAPSCREW, 3/8NC x 1-3/4
	0916965-7	3	LOCKWASHER, 3/8
14	0243473-6	1	BATTERY (Std.)
	0250545-1	1	BATTERY (Heavy Duty)
15	1009243-5	1	CABLE, battery to starter
	0917421-0	1	NUT, 3/8NC
16	1007707-1	1	CABLE, battery
17	1016054-7	1	CABLE, ground, battery box
	0916803-0	1	WASHER, 3/8
18	1009171-8	1	GROMMET
19	0927187-5	1	CAPSCREW, 3/8NC x 1
	0916803-0	1	WASHER, 3/8
	0916950-9	1	NUT, 3/8NC
20	1009244-3	1	CLAMP, battery hold-down
21	0249788-1	2	ROD, battery hold-down
	0918264-3	2	WASHER, 1/4
	0920397-7	2	NUT, lock, 1/4NC
22	1009277-3	1	WIRE, alternator to starter solenoid
	0917389-9	1	LOCKWASHER, No. 12
	0921880-1	1	LOCKWASHER (Metric)
	0917376-6	1	NUT, No. 12NC
	0950209-7	1	NUT (Metric)
23	1014441-8	1	HARNESS, wire to engine
24	1006644-7	1	SENDING UNIT, fuel
	0906938-6	1	WASHER, 3/16
	0917365-9	1	LOCKWASHER, No. 10
	0916880-8	1	NUT, No. 10NF
25	4760149-7	2	SENDING UNIT, temperature
	0906938-6	1	WASHER, 3/16
	0917365-9	1	LOCKWASHER, No. 10
	0916880-8	1	NUT, No. 10NF
26	1008009-1	1	SWITCH, oil pressure
27	1015044-9	1	HORN
28	0925617-3	3	CLAMP
29	0915399-0	1	ELBOW, street
30	0930871-9	2	TIE (Not shown)
31	0246171-3	1	SWITCH, hourmeter press.
	0901467-1	1	NIPPLE
	0920168-2	1	TEE
32	1017947-1	1	WIRE ASY., stop light switch (Not shown)
33	1017253-4	1	BOX ASY., battery
	0920328-2	4	CAPSCREW, 1/2NC x 1-1/2
	0916966-5	4	LOCKWASHER, 1/2
	0916951-7	4	NUT, 1/2NC

INSTRUMENT PANEL



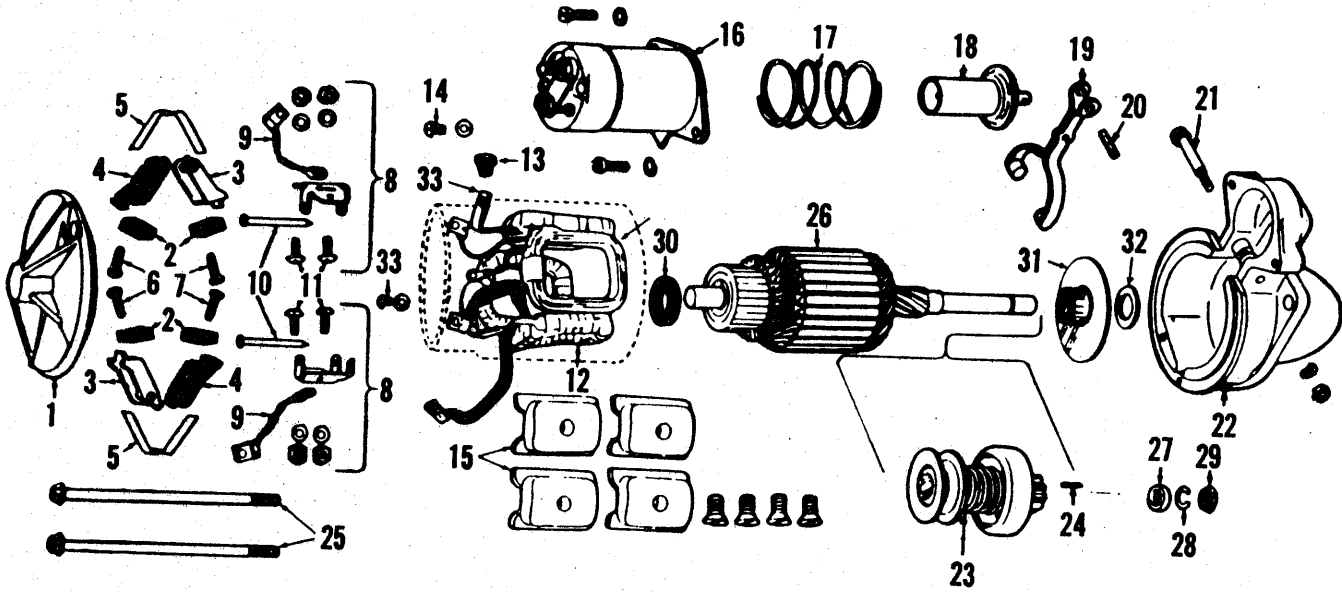
714B & 715B TRACTORS
ELECTRICAL & INSTRUMENTS

77

INSTRUMENT PANEL

ITEM	NUMBER	QTY.	DESCRIPTION
1	1016796-3	1	PANEL ASY., instrument
	0916532-5	4	CAPSCREW, rd. hd., 1/4NC x 3/4
2	1014664-5	1	METER, hour
3	1003305-8	1	GAUGE, oil temperature
	0920240-9	2	WASHER, int. tooth, No. 6
	0900996-0	2	NUT, No. 6NC
4	4818262-0	1	GAUGE, water temperature
	0920240-9	2	WASHER, int. tooth, No. 6
	0900996-0	2	NUT, No. 6NC
5	4818261-2	1	GAUGE, fuel
	0920240-9	2	WASHER, int. tooth, No. 6
	0900996-0	2	NUT, No. 6NC
6	1008023-2	1	LAMP, warning, engine oil pressure
	-----	1	LAMP (trade # 1895A)
7	1007824-4	1	LAMP, warning, discharge
	-----	1	LAMP (trade # 1895R)
8	0230170-3	1	ADAPTER, terminal
9	0241965-3	1	SWITCH, key
	0241977-8	1	KEY
	0246282-8	1	NUT
10	0253320-6	1	SWITCH, horn
	0253321-4	1	CAP & NUT ASY.
11	1014415-2	1	WIRE, jumper, KS to HRM
12	1013306-4	1	RESISTOR
13	0923341-2	3	CAPSCREW, 1/4NC x 3/4
	0921880-1	3	WASHER, external, 1/4
	0916622-4	3	NUT, 1/4NC
14	1009278-1	1	WIRE, jumper (ST to key)
15	1014661-1	1	WIRE, jumper (sol. to ST)
	0917395-6	1	LOCKWASHER
	0917385-7	1	NUT
16	1014662-9	1	WIRE, jumper (sol. to ST)
17	0261441-0	1	SWITCH, solenoid
18	1014441-8	1	HARNESS, wire to engine
19	1006605-8	1	SWITCH, turn signal
20	1008244-4	1	CABLE ASY., fuel shut-off
21	1007858-2	1	SWITCH, light
22	1007828-5	1	BLOCK ASY., fuse
	0917448-3	2	SCREW, mach., rd. hd., No. 10NC x 2
	0910243-5	2	WASHER, No. 10
	0917365-9	2	LOCKWASHER, No. 10
	0916621-6	2	NUT, No. 10NC
23	0248109-1	1	FLASHER
24	-----	1	FUSE, 10 amp (Obtain locally)
25	-----	1	FUSE, 25 amp (Obtain locally)
26	1016833-4	1	WIRE, jumper supply
27	1009283-1	1	WIRE, fuse block, WL - SW
28	1016931-6	1	HARNESS, wiring, new ST
29	1009877-0	1	WIRE, jumper, switch to solenoid
	-----	1	FUSE, 10 amp (Obtain locally)
30	1017947-1	1	WIRE ASY., instrument panel to stop light switches
31	1017922-4	2	SWITCH, stop light

STARTER MOTOR ASY.



714B & 715B TRACTORS
ELECTRICAL & INSTRUMENTS

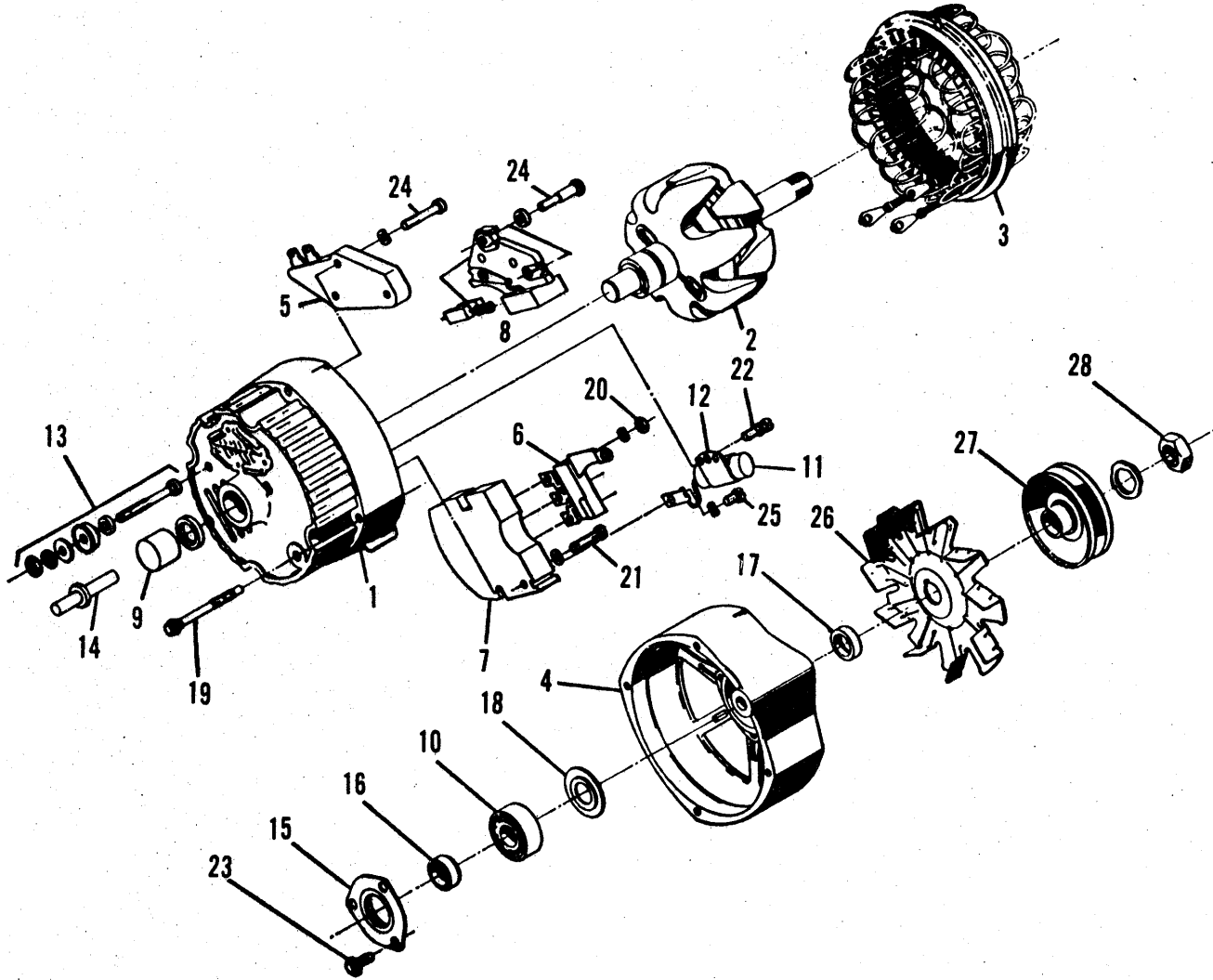
79

STARTER MOTOR ASY.

ITEM	NUMBER	QTY.	DESCRIPTION
-	1008012-5	1	STARTER MOTOR ASY. (Incls. Items 1 thru 33)
1	0236386-9	1	FRAME ASY., C.E. (Incls. BUSHINGS, PLUGS & WICK)
	4050068-8	1	PLUG, pipe
	0246076-4	1	WICK
	4047348-0	1	BUSHING
2	0236387-7	4	BRUSH
3	4999079-9	2	BRUSH HOLDER, ground
4	0231319-5	2	BRUSH HOLDER, insulated
5	0231320-3	2	SPRING, brush (Use Item 4)
6	0929906-6	2	SCREW, ground brush
7	1003674-7	2	SCREW, insulated brush
8	4051281-6	2	BRUSH SUPPORT PKG. (Incls. Items 9, 10 & 11)
9	4060192-4	2	LEAD WIRE, ground
10	0252042-7	2	PIN, brush holder
11	0916080-5	4	SCREW, brush holder support, No. 10NC x 1/2
	0917365-9	4	LOCKWASHER, No. 10
	0916621-6	4	NUT, No. 10NC
12	4910173-6	1	FIELD COIL ASY.
13	4997164-1	1	GROMMET, field frame
14	4997184-9	1	SCREW, field to solenoid
	0916964-0	1	LOCKWASHER, 1/4
15	0235837-2	4	POLE, shoe
	4054758-0	4	SCREW
16	4912314-4	1	SOLENOID
	0243854-7	1	GASKET
	0901226-1	2	SCREW, 1/4NC x 1/2
	0916964-0	2	LOCKWASHER, 1/4
17	0243849-7	1	SPRING, plunger
18	0246077-2	1	PLUNGER
19	4998851-2	1	LEVER, shift
20	0246078-0	1	PIN, lever
21	0243848-9	1	STUD, lever
	0917356-8	1	LOCKWASHER, 5/16
	0920161-7	1	NUT, 5/16NC
22	1009626-1	1	HOUSING ASY., drive end (Incls. PLUG, WICK & BUSHING)
	4050068-8	1	PLUG
	0241335-9	1	WICK
	0243846-3	1	BUSHING
23	1015412-8	1	DRIVE ASY.
24	0231240-3	1	PIN, dowel
25	0246100-2	2	BOLT, thru
26	4997162-5	1	ARMATURE
27	0231328-6	1	COLLAR, stop
28	0231329-4	1	RING, retainer
29	0243855-4	1	COLLAR, thrust
30	4055869-4	1	WASHER, brake
31	0231258-5	1	PLATE, center bearing (Incls. BUSHING)
	4044355-8	1	BUSHING (23/32" long)
	0246097-0	1	BUSHING (1/2" long)
	0231288-2	2	SCREW
	4997168-2	2	LOCKWASHER
32	0231260-1	1	WASHER (between center bearing & drive)
33	0246074-9	1	CONNECTOR, field
	4054825-7	1	SCREW
	0917365-9	1	LOCKWASHER, No. 10

714B & 715B TRACTORS
ELECTRICAL & INSTRUMENTS

ALTERNATOR ASY.



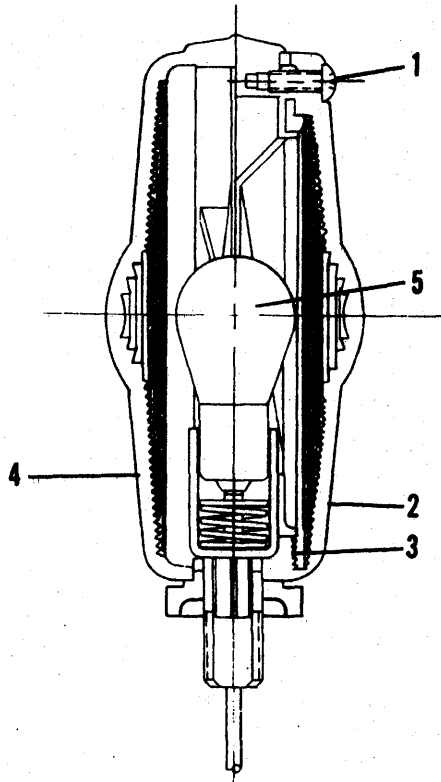
714B & 715B TRACTORS
ELECTRICAL & INSTRUMENTS

81

ALTERNATOR ASY.

ITEM	NUMBER	QTY.	QTY.	DESCRIPTION
-	1017361-5	1	0	ALTERNATOR ASY. (Incl. Items 1 thru 25, & 28)
	1019028-8	0	1	ALTERNATOR ASY. (Incl. Items 1 thru 25, & 28)
1	0262166-2	1	0	FRAME, slip ring end (Incl. Item 9)
	0262753-7	0	1	FRAME, slip ring end (Incl. Item 9)
	1142677-2	1	0	SEAL, oil
2	1186999-7	1	1	ROTOR ASY.
3	1017345-8	1	1	STATOR ASY.
4	0242812-6	1	0	FRAME, drive end
	0262756-0	0	1	FRAME, drive end
5	1308106-2	1	1	REGULATOR
6	1172891-2	1	1	DIODE, trio
7	1193807-3	1	1	RECTIFIER, bridge
8	0262167-0	1	1	BRUSH & HOLDER
9	1142670-7	1	0	BEARING, slip ring end
	0262754-5	0	1	BEARING, slip ring end
10	0262757-8	1	1	BEARING, drive end
11	1172896-1	1	1	CAPACITOR
12	4054848-9	1	1	BRACKET, capacitor
13	1172897-9	1	0	TERMINAL PKG., battery
	0262755-2	0	1	TERMINAL PKG., battery
14	0262170-4	1	1	TERMINAL PKG., relay
15	0242826-6	1	1	BEARING RETAINER ASY.
16	0242828-2	1	1	COLLAR, inside
17	0242829-0	1	0	COLLAR, outside
	0262758-6	0	1	COLLAR, outside
18	1172899-5	1	1	SLINGER, grease
19	0242838-1	4	4	BOLT, thru
20	0917385-7	3	3	NUT, rectifier bridge, No. 8NC
	0242831-6	3	3	LOCKWASHER
21	1173330-0	1	1	SCREW, rectifier bridge
	0242831-6	1	1	LOCKWASHER
22	1173329-2	1	1	SCREW, w/ lockwasher, capacitor
23	0243792-9	3	3	SCREW, retainer, ball bearing
24	1173328-4	2	2	SCREW, brush holder (insulated)
	0262168-8	1	1	SCREW, brush holder (ground)
	0262169-6	1	1	SCREW, brush holder (pivot)
25	1173329-2	1	1	SCREW, capacitor lead
	0242831-6	1	1	LOCKWASHER
26	----	1	1	FAN, alternator (Refer to ELECTRICAL group)
27	----	1	1	PULLEY, alternator (Refer to ELECTRICAL group)
28	4054799-4	1	1	NUT, shaft
	0237006-2	1	1	LOCKWASHER

LAMP ASY., WARNING



714B & 715B TRACTORS
ELECTRICAL & INSTRUMENTS

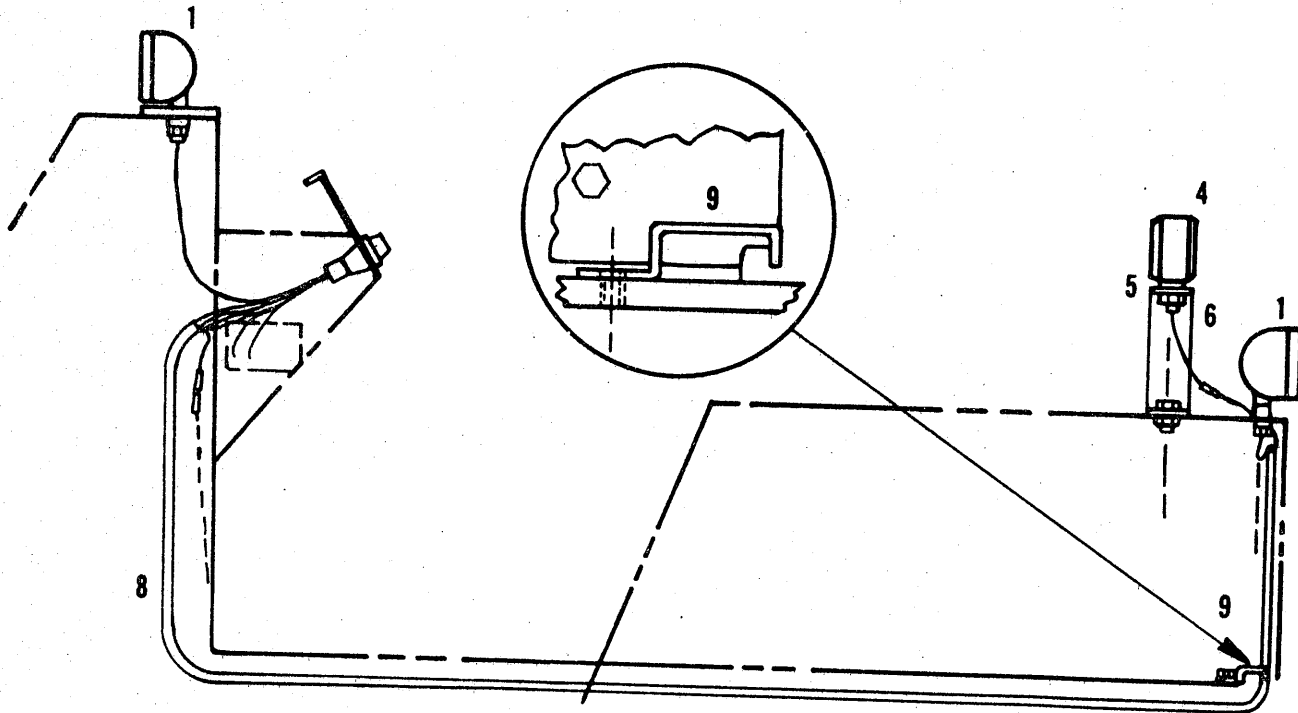
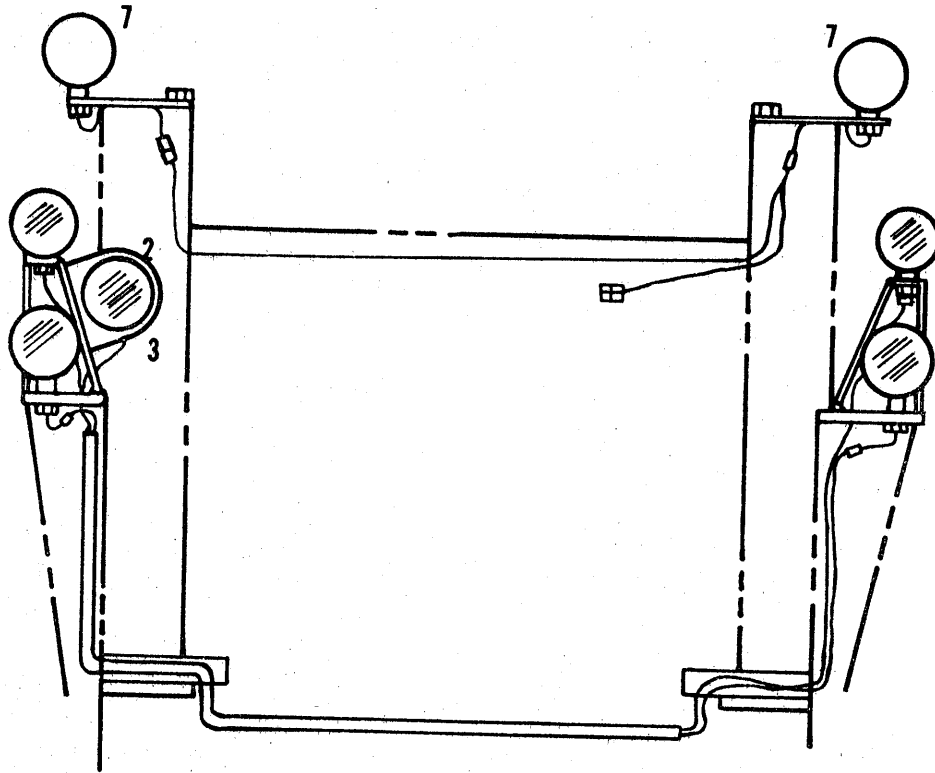
83

LAMP ASY., WARNING

ITEM	NUMBER	QTY.	DESCRIPTION
-	1006649-6	1	LAMP ASY., warning
1	-----	3	SCREW
2	-----	1	LENS, amber
3	-----	1	GASKET
4	-----	1	BODY ASY.
5	-----	1	BULB

714B & 715B TRACTORS
ELECTRICAL & INSTRUMENTS

LAMPS W/O ROPS

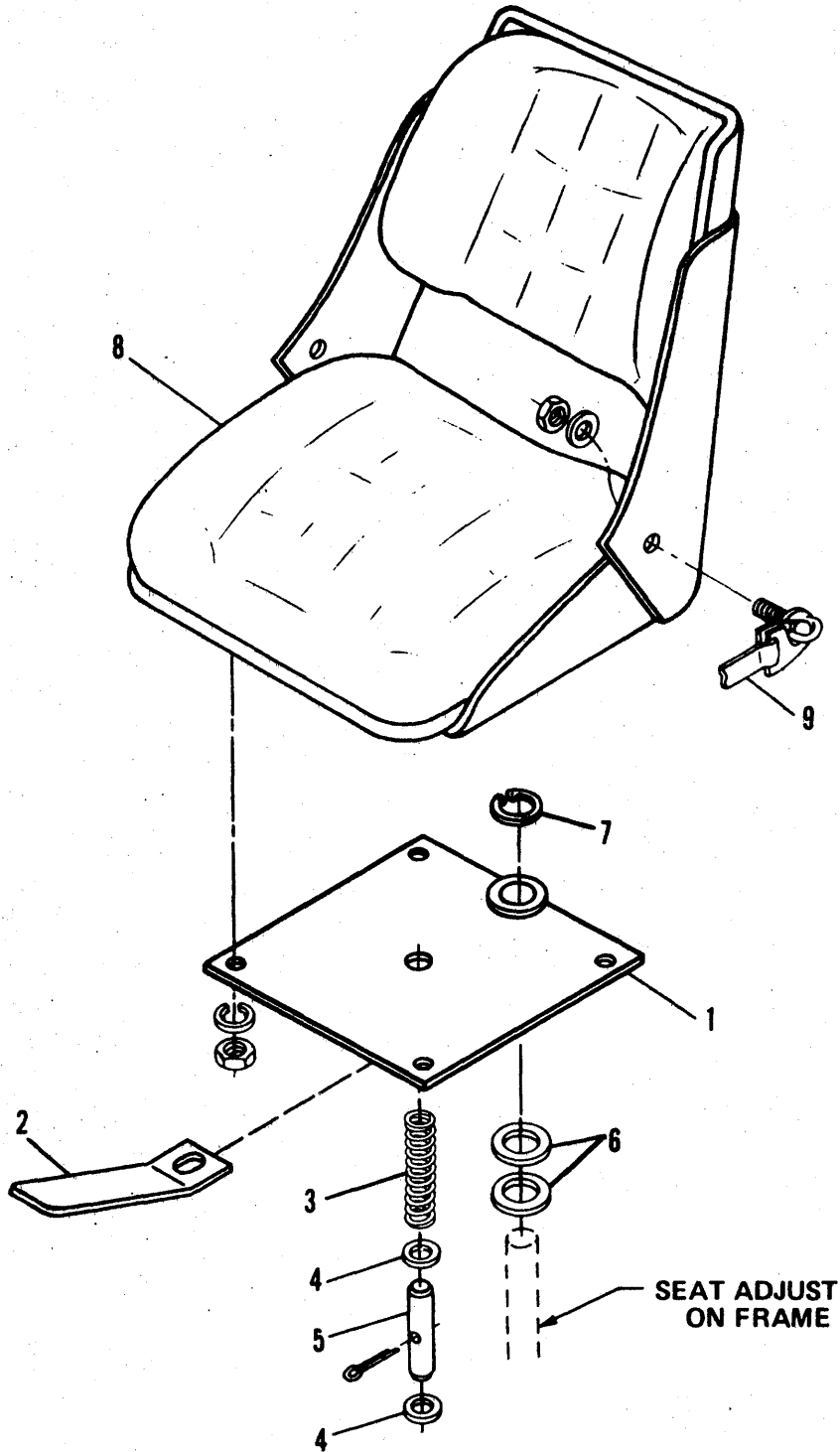


714B & 715B TRACTORS
ELECTRICAL & INSTRUMENTS

LAMPS W/O ROPS

ITEM	NUMBER	QTY.	DESCRIPTION
1	1006399-8	4	LAMP ASY., flood
	0920428-0	4	LOCKWASHER, ext. tooth, 1/2
	0919262-6	4	NUT, jam, 1/2NF
2	1006400-4	1	LAMP, tail
	0927149-5	3	SCREW, pan hd., No. 8NC x 1/2
3	1017921-6	1	BRACKET, tail lamp
	0921332-3	2	SCREW, 5/16NC x 3/4
	0923300-8	2	LOCKWASHER, int. tooth, 5/16
	0917372-5	2	NUT, 5/16NC
4	1006649-6	2	LAMP ASY., warning
	0920428-0	2	LOCKWASHER, ext. tooth, 1/2
	0919262-6	2	NUT, jam, 1/2NF
5	0248111-7	2	WASHER, rubber, 1/2
	1018666-6	2	BRACKET ASY., rear
6	0920328-2	4	CAPSCREW, 1/2NC x 1-1/2
	0920428-0	4	LOCKWASHER, ext. tooth, 1/2
	0916951-7	4	NUT, 1/2NC
	1018663-3	2	BRACKET, front
7	0923110-1	4	CAPSCREW, 3/4NC x 1-1/2
	0919332-7	4	LOCKWASHER, 3/4
	1018667-4	1	HARNES, wire
8	0930871-9	4	WRAP, tie
	1018669-0	2	GUARD, wire
9	0921332-3	2	SCREW, 5/16NC x 3/4
	0923300-8	2	LOCKWASHER, int. tooth, 5/16

SEAT & SEAT SUPPORT

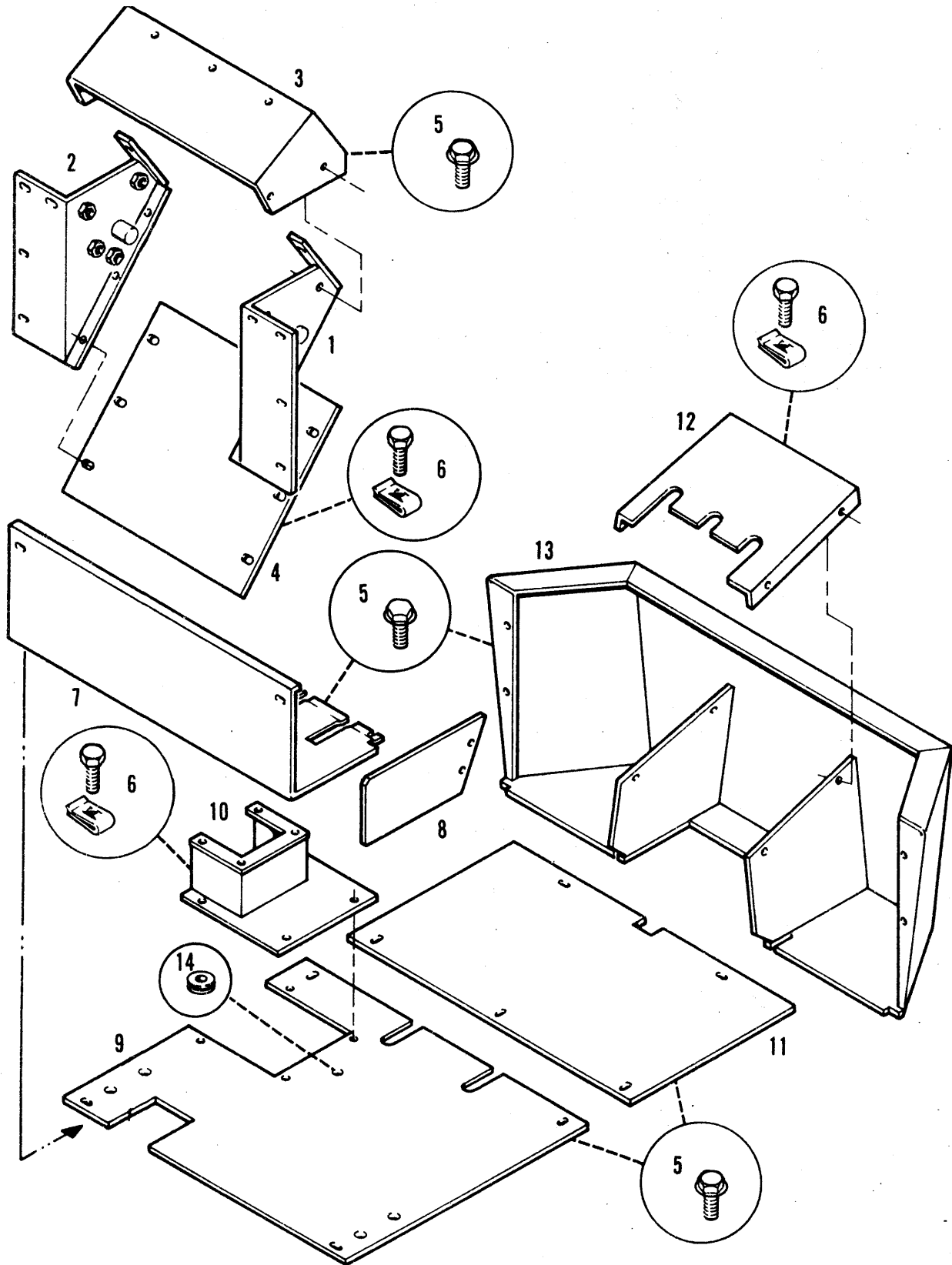


714B & 715B TRACTORS
SHEET METAL, FRAME & SEAT

SEAT & SEAT SUPPORT

ITEM	NUMBER	QTY.	DESCRIPTION
1	1015976-2	1	SUPPORT ASY., seat
2	1016196-6	1	LEVER, seat
3	1008964-7	1	SPRING
4	0918268-4	2	WASHER, 21/32 x 1-5/16 x 5/8
5	1008961-3	1	PIN, lock, seat
	0925719-7	1	PIN, cotter, 1/8 x 2
6	1008970-4	2	BUSHING, thrust
	0922679-6	2	WASHER, flat, 17/32 x 2-1/2 x No. 12
7	0928179-1	1	RING, snap
8	1008024-0	1	SEAT ASY.
	0269925-4	1	CUSHION, seat
	0269926-2	1	BACKREST
	1015965-5	1	RAIL, L.H.
	1015964-8	1	RAIL, R.H.
	1015968-9	1	ADJUSTER, R.H.
	1015967-1	1	ADJUSTER, L.H.
	1015969-7	1	ROD
	0925205-7	14	CAPSCREW, 5/16NC x 5/8
	0917356-8	10	LOCKWASHER, 5/16
	0917372-5	10	NUT, 5/16NC
9	1014427-7	1	SEAT BELT ASY.

PLATFORM



714B & 715B TRACTORS
SHEET METAL, FRAME & SEAT

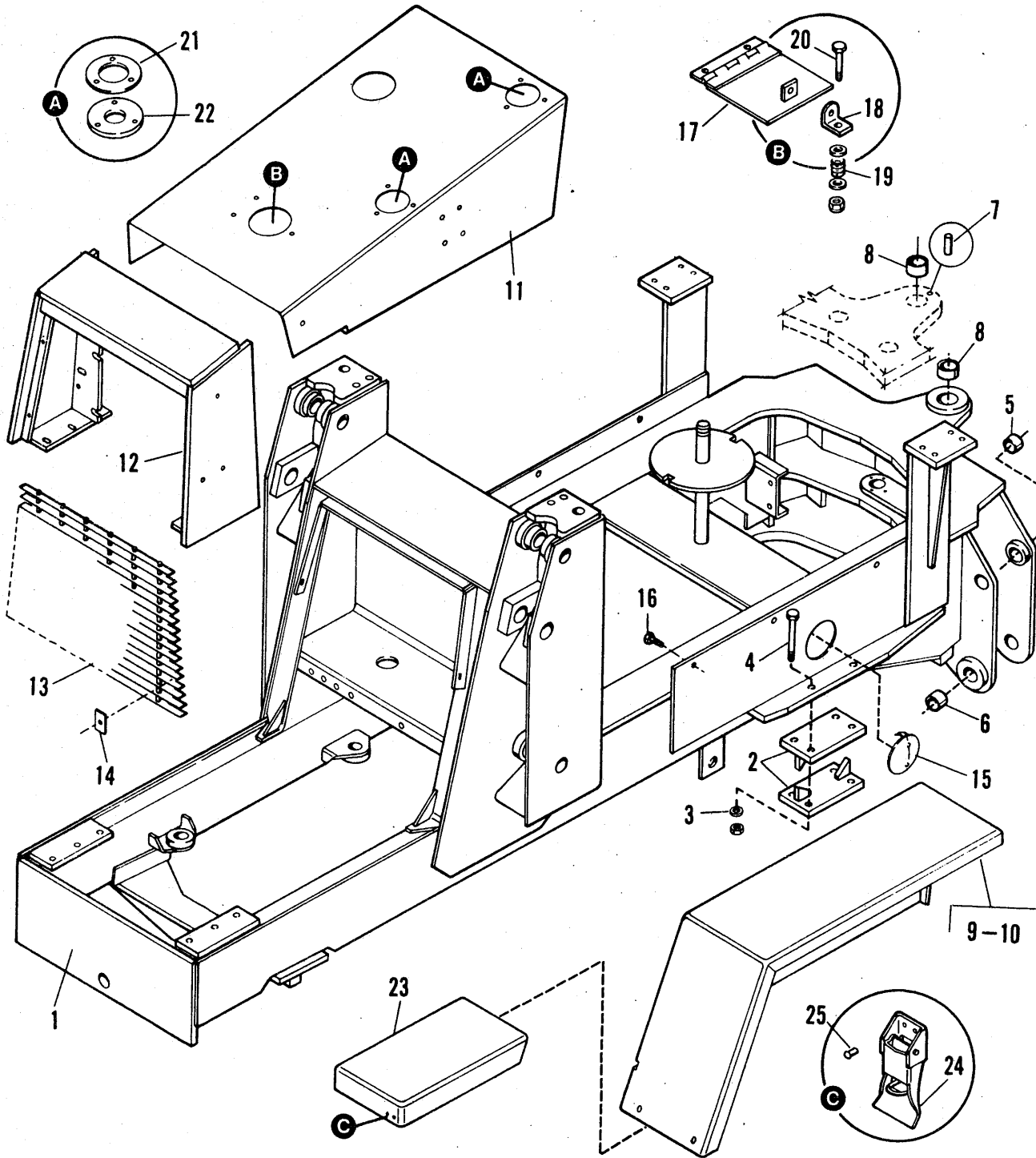
89

PLATFORM

ITEM	NUMBER	QTY.	DESCRIPTION
1	1016811-0	1	PANEL ASY., L.H.
2	1016812-8	1	PANEL ASY., R.H.
3	1016807-8	1	COVER, console, upper
4	1016808-6	1	COVER, console, lower
5	0927187-5	31	CAPSCREW, 3/8NC x 1
6	0921960-1	14	CAPSCREW, 1/4NC x 1
	0926018-3	14	NUT, 1/4NC
7	1017945-5	1	PLATE, floor, front
8	1017954-7	2	COVER, side
	0921332-3	4	CAPSCREW, 5/16NC x 3/4, pltd.
	0917356-8	4	LOCKWASHER, 5/16
	0917372-5	4	NUT, 5/16NC
9	1017944-8	1	PLATE, floor, center
10	1016893-8	1	COVER ASY.
11	1014497-0	1	PLATE, floor, rear
12	1017296-3	1	COVER, BH console
13	1017300-3	1	WRAPPER ASY., rear
14	0929810-0	1	GROMMET

714B & 715B TRACTORS
SHEET METAL, FRAME & SEAT

FRAME, FENDERS, HOOD, GRILLE & REAR AXLE MOUNTING



714B & 715B TRACTORS
SHEET METAL, FRAME & SEAT

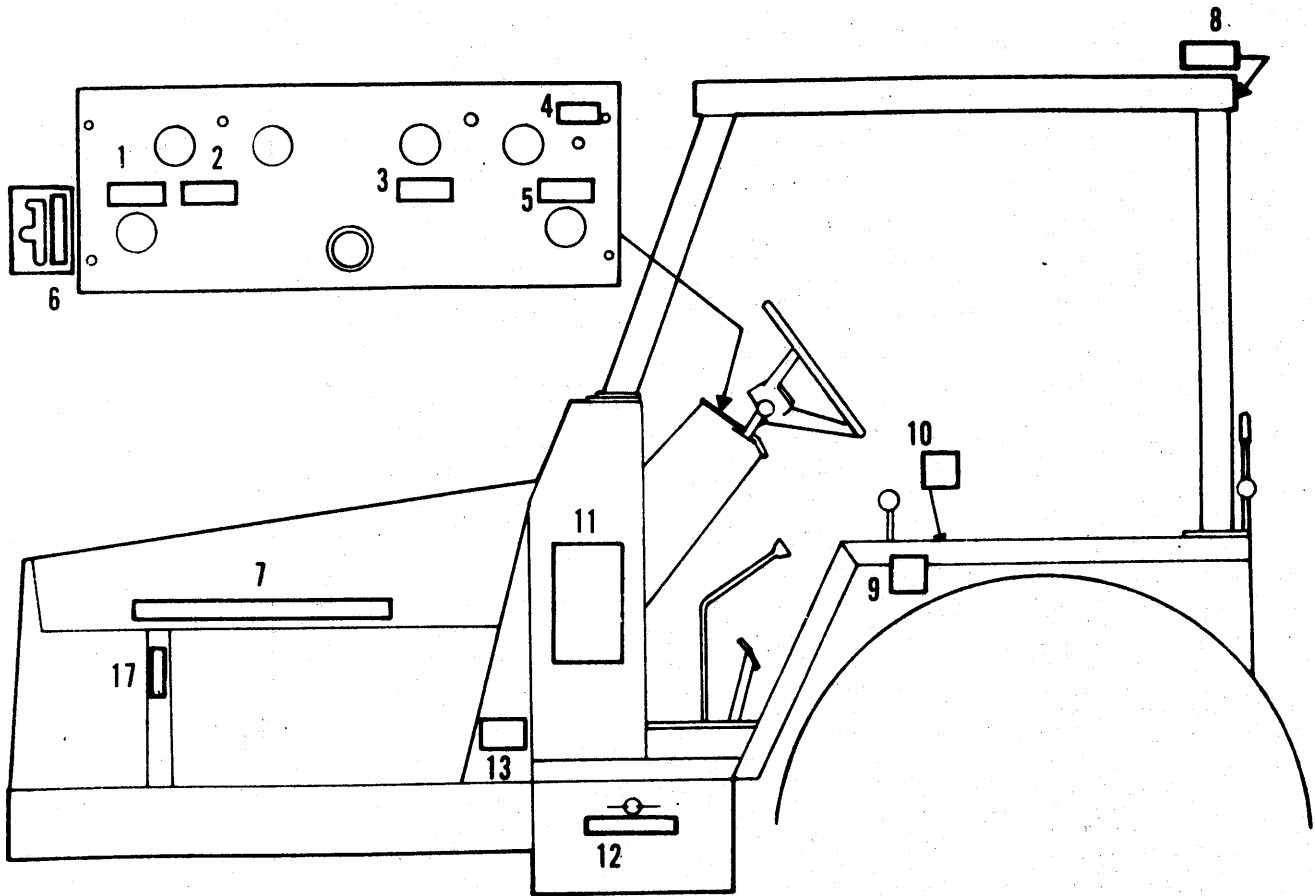
91

FRAME, FENDERS, HOOD, GRILLE & REAR AXLE MOUNTING

ITEM	NUMBER	QTY.	DESCRIPTION
1	1016760-9	1	MAINFRAME, tractor
2	1016722-9	4	SEAT ASY., rear axle, 3 ^o
3	1003219-1	16	WASHER
4	0929141-0	8	CAPSCREW, 3/4NF x 10
	0915763-7	8	NUT, high, 3/4NF
5	1001137-7	4	BUSHING, 1-1/2 I.D. x 1-1/2 long
6	1001115-3	6	BUSHING, 2" I.D. x 15/32" long
7	1004080-6	2	BUSHING, 2" I.D. x 2" long
8	1008020-8	2	BUSHING, 2-1/4 I.D. x 1-11/16 long
9	1016672-6	1	FENDER ASY., R.H.
10	1016673-4	1	FENDER ASY., L.H.
11	1016782-3	1	HOOD (Prior S/N 2362)
	1018711-0	1	HOOD (Eff. S/N 2362 & Up)
	-----	1	TAPE, cushion (Not serviced)
	0921210-1	10	CAPSCREW, 3/8NC x 1
	0918266-8	10	WASHER, plain, 3/8 SAE
	0916965-7	10	LOCKWASHER, 3/8
12	1017286-4	1	WEIGHT ASY., front
	0919089-3	6	CAPSCREW, 1/2NC x 1-3/4
	0917379-0	6	WASHER, plain, 1/2 SAE
	0916966-5	6	LOCKWASHER, 1/2
	0916951-7	6	NUT, 1/2NC
13	1017285-6	1	GRILLE
14	1009085-0	4	RETAINER, grille
	0923701-7	4	CAPSCREW, 3/8NC x 2
	0916965-7	4	LOCKWASHER, 3/8
15	0253537-5	2	COVER, rear axle bolt
16	0921210-1	16	CAPSCREW, 3/8NC x 1
	0918266-8	16	WASHER, plain, 3/8 SAE
	0916965-7	16	LOCKWASHER, 3/8
	0916950-9	16	NUT, 3/8NC
17	1016783-1	1	COVER ASY., radiator cap
18	1003417-1	1	HASP
19	1017243-5	1	SPRING, comp.
20	0921969-2	1	CAPSCREW, 3/8NC x 1-1/2
	0919439-0	1	LOCKNUT, 3/8NC
21	1017960-4	1	PLATE, seal
	0916532-5	3	SCREW, mach., rd. hd., 1/4NC x 3/4
	0918264-3	3	WASHER, plain, 1/4
	0920397-7	3	NUT, 1/4NC
22	1016885-4	1	SEAL
23	1017975-2	1	COVER ASY., L.H. (Shown)
	0927187-5	2	CAPSCREW, self-tap, 3/8NC x 1
	0918266-8	2	WASHER, plain, 3/8
	0916950-9	2	NUT, 3/8NC
	1017976-0	1	COVER ASY., R.H. (Not shown)
	0927187-5	2	CAPSCREW, self-tap, 3/8NC x 1
	0918266-8	2	WASHER, plain, 3/8
	0916950-9	2	NUT, 3/8NC
24	1015329-4	2	HASP
25	1017377-1	4	RIVET, blind

714B & 715B TRACTORS
SHEET METAL, FRAME & SEAT

DECALS



714B & 715B TRACTORS
SHEET METAL, FRAME & SEAT

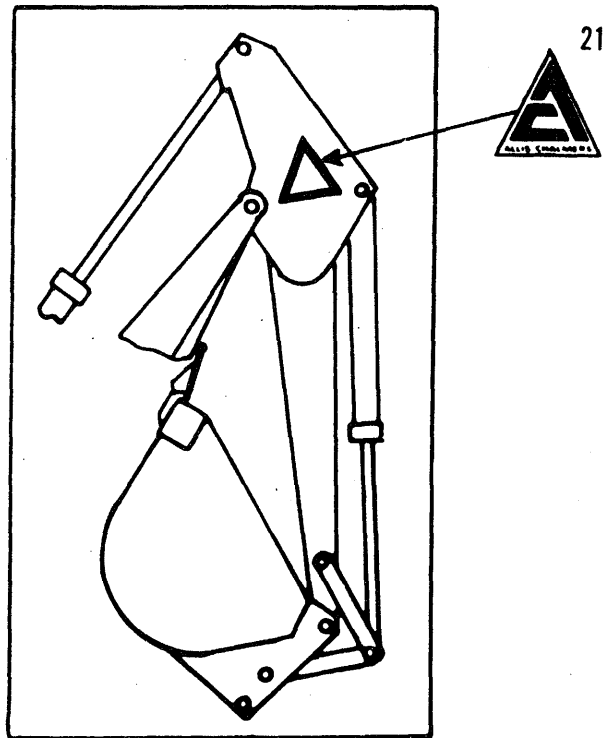
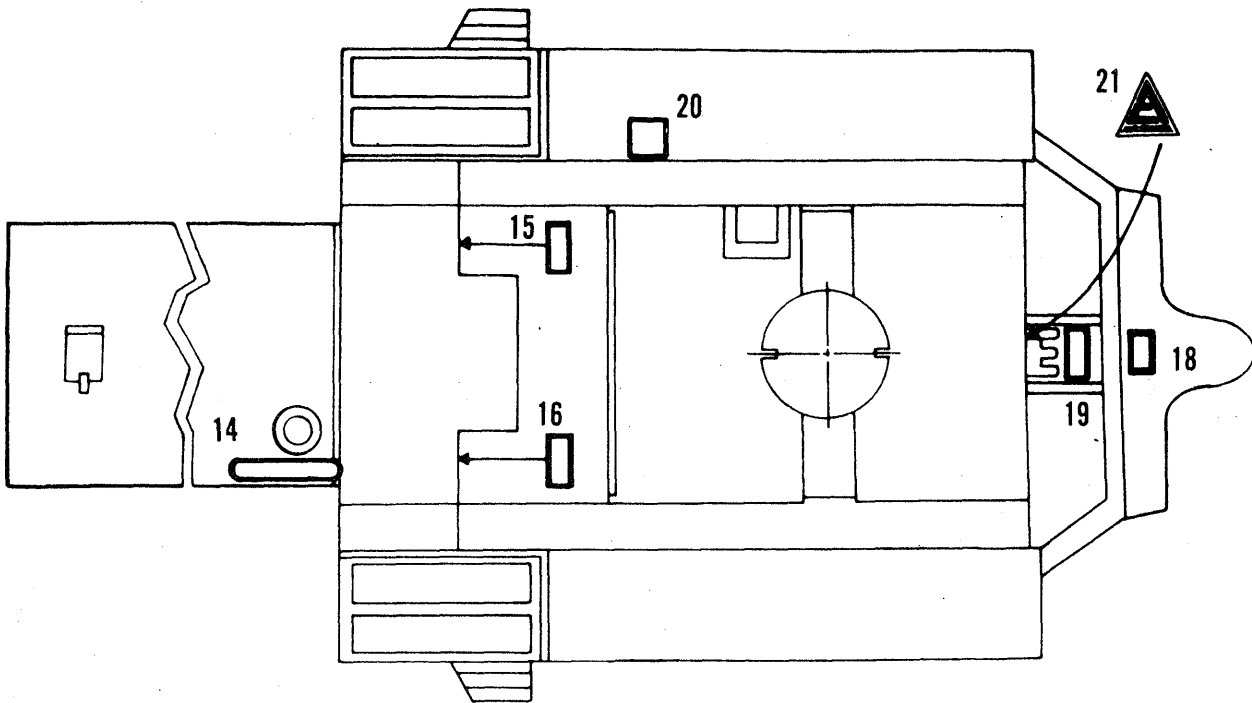
DECALS

ITEM	NUMBER	QTY.	DESCRIPTION
-	1018011-5	1	DECAL SET (Incl. Items 1 thru 24)
1	1016934-0	1	DECAL, turn signals
2	1016933-2	1	DECAL, diesel kill
3	1016935-7	1	DECAL, key switch
4	1016938-1	1	DECAL, horn
5	1016937-3	1	DECAL, flood lamps
6	1016939-9	1	DECAL, forward-reverse
7	1003528-5	2	DECAL (Allis-Chalmers)
8	1015144-7	1	DECAL (No Riders)
9	1015119-9	1	DECAL (Before Mount)
10	1015118-1	1	DECAL (Do Not Tow)
11	1009255-9	2	DECAL (715) (Not serviced separately)
12	1015147-0	1	DECAL, hydraulic oil
13	1015117-3	2	DECAL (Do Not Service)
14	1015145-4	1	DECAL, diesel fuel

Continued

714B & 715B TRACTORS
SHEET METAL, FRAME & SEAT

DECALS

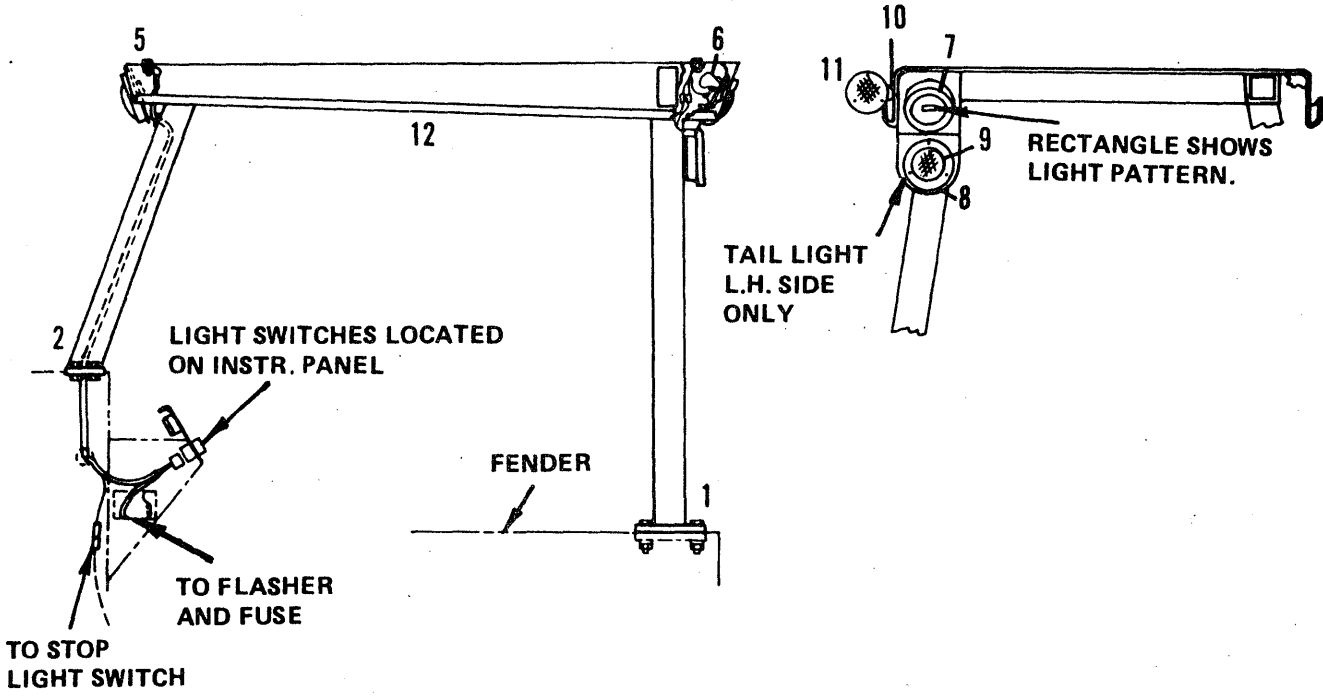
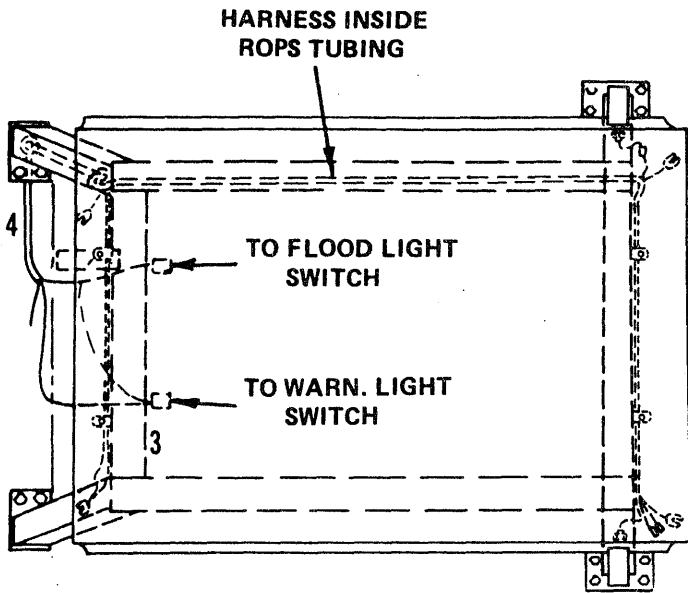


714B & 715B TRACTORS
SHEET METAL, FRAME & SEAT

DECALS

ITEM	NUMBER	QTY.	DESCRIPTION
15	1015115-7	1	DECAL (Operator's Manual)
16	1015114-0	1	DECAL, seat belt
17	1018145-1	2	DECAL, fan
18	1015116-5	1	DECAL (Do Not Mount)
19	1016941-5	1	DECAL, backhoe control
20	1016940-7	1	DECAL, loader instructions
21	0924459-1	3	DECAL, Lo - Go
22	2020165-3	1	DECAL, backhoe control (Not Illustrated)
23	1007854-1	1	DECAL, F-N-R (Not Illustrated)
24	1014629-8	1	DECAL, Ldr. R-L-RB & Dump (Not Illustrated)

ROLLOVER STRUCTURE, CANOPY & LIGHTS



714B & 715B TRACTORS
SHEET METAL, FRAME & SEAT

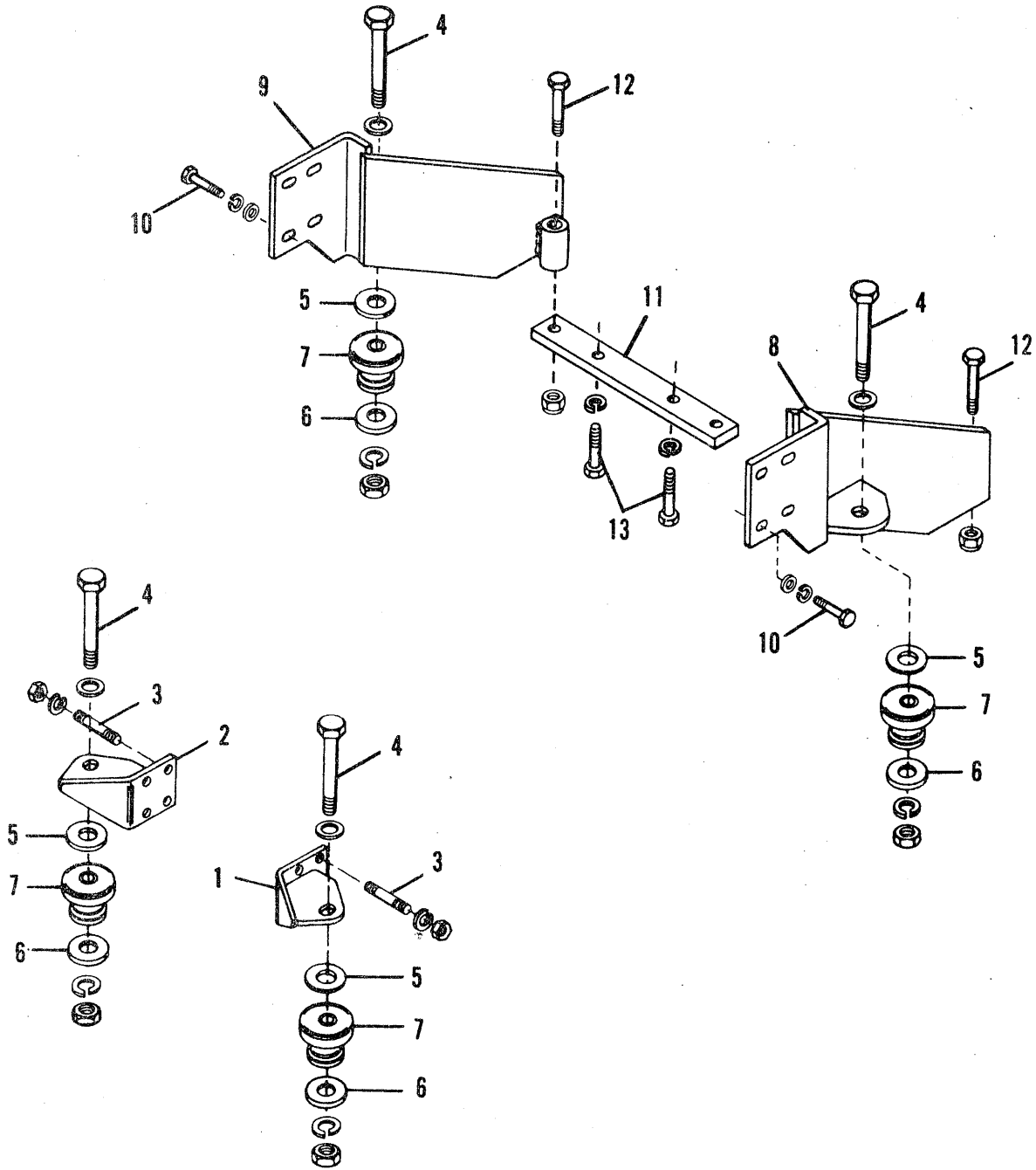
97

ROLLOVER STRUCTURE, CANOPY & LIGHTS

ITEM	NUMBER	QTY.	DESCRIPTION
1	0926115-7	8	CAPSCREW, 1/2NC x 3/4
	0916951-7	8	NUT, 1/2NC
2	0925872-4	4	CAPSCREW, 3/4NC x 2-1/4
	0919332-7	4	LOCKWASHER, 3/4
3	-----	1	DECAL, rollover protective structure (Not serviced)
4	1018833-2	1	WIRE
	1018834-0	1	WIRE
5	0925617-3	4	CLAMP, wire
	0927187-5	4	CAPSCREW, taptite, 3/8NC x 1
	0916965-7	4	LOCKWASHER, 3/8
	0917378-2	4	WASHER, 3/8
	0916950-9	4	NUT, 3/8NC
6	1016948-0	4	WIRE, ground
7	1004412-1	4	LAMP, flood
	0917365-9	12	LOCKWASHER, No. 10
	0916621-6	12	NUT, No. 10NC
8	1017921-6	1	BRACKET, mounting, stop light
	0916532-5	2	SCREW, rd. hd., 1/4NC x 3/4
	0921880-1	2	LOCKWASHER, star, 1/4
	0916622-4	2	NUT, 1/4NC
9	1006400-4	1	LAMP, tail
	0917388-1	3	SCREW, rd. hd., No. 10NC x 3/4
	0917365-9	3	LOCKWASHER, No. 10
	0916621-6	3	NUT, No. 10NC
10	0248111-7	2	WASHER, rubber
11	1006649-6	2	LAMP, warning
	0920428-0	2	LOCKWASHER, 1/2
	0919262-6	2	NUT, jam, 1/2NC
12	1017334-2	1	R.O.P.S. ASY.

714B & 715B TRACTORS
DRIVE TRAIN

MOUNTING

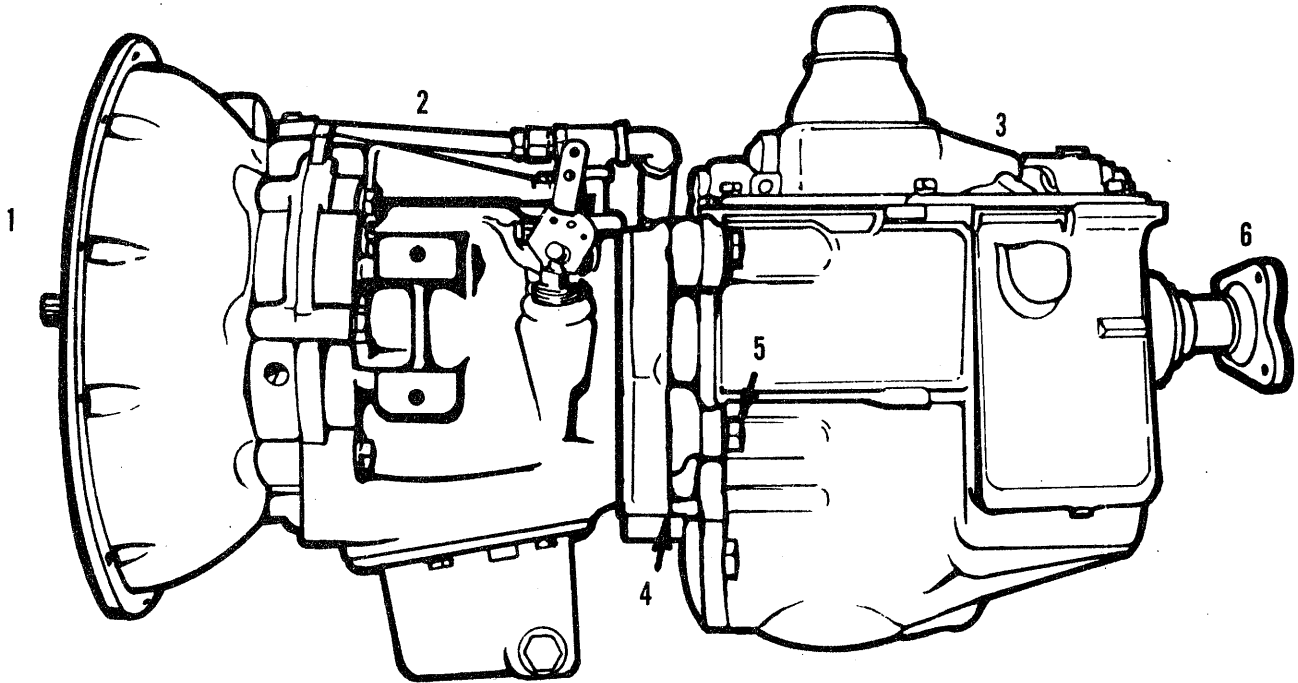


714B & 715B TRACTORS
DRIVE TRAIN

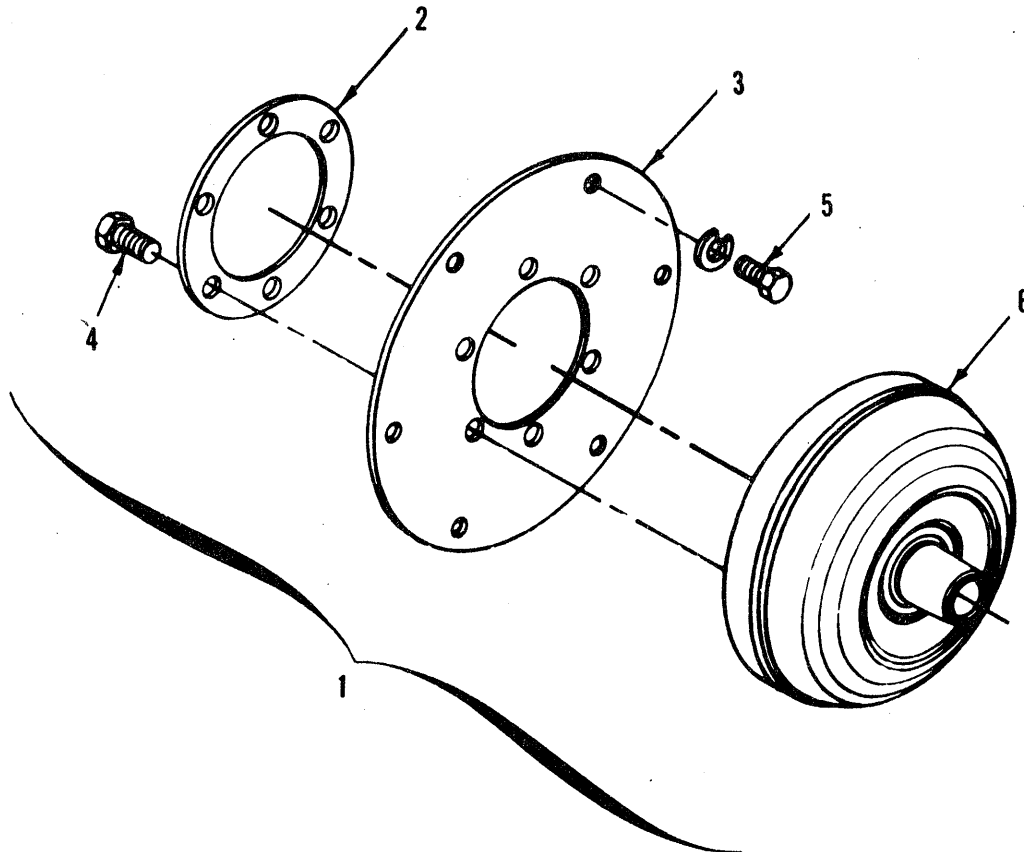
MOUNTING

ITEM	NUMBER	QTY.	DESCRIPTION
1	1016723-7	1	BRACKET ASY., mounting, L.H. front
2	1016724-5	1	BRACKET ASY., mounting, R.H. front
3	0251007-1	8	STUD, bracket mount
	0918199-1	8	LOCKWASHER, 7/16
	0913901-5	8	NUT, 7/16NF
4	0915792-6	4	CAPSCREW, 5/8NF x 4, Gr. 5
	0918432-6	4	WASHER, plain, 5/8
	0921139-2	4	NUT, 5/8NF
5	1008432-5	4	WASHER, power mounting
6	1014762-7	4	WASHER
7	1005350-2	4	MOUNT, center bonded
8	1016699-9	1	BRACKET ASY., mounting, L.H. rear
9	1016698-1	1	BRACKET ASY., mounting, R.H. rear
10	0920328-2	8	CAPSCREW, pltd., 1/2NC x 1-1/2, Gr. 5
	0916966-5	8	LOCKWASHER, 1/2
	0917379-0	8	WASHER, plain
11	1016713-8	1	SUPPORT, cross member
12	0920990-9	2	CAPSCREW, pltd., 1/2NC x 3-1/2, Gr. 5
	0922304-1	2	NUT, pltd., 1/2NC
13	0920328-2	2	CAPSCREW, pltd., 1/2NC x 1-1/2, Gr. 5
	0916966-5	2	LOCKWASHER, 1/2

TRANSMISSION ASY.
FORWARD & REVERSE



TORQUE CONVERTER



714B & 715B TRACTORS
DRIVE TRAIN

TRANSMISSION ASY.
FORWARD & REVERSE

ITEM	NUMBER	QTY.	DESCRIPTION
-	-----	1	TRANSMISSION ASY. (Incl. Items 1 thru 5)
1	1018704-5	1	CONVERTER, torque (Refer to TORQUE CONVERTER for components)
	1017338-3	1	HOUSING, torque converter
2	1018151-9	1	TRANSMISSION, forward & reverse
3	1018253-3	1	TRANSMISSION, 4-speed
4	1006207-3	1	GASKET
5	1018255-8	4	CAPSCREW, 9/16NC x 1-5/8
	0920326-6	4	LOCKWASHER, 9/16
6	1002984-1	1	FLANGE, output
	1017969-5	4	BOLT, special
	0928212-0	4	NUT, 7/16NC

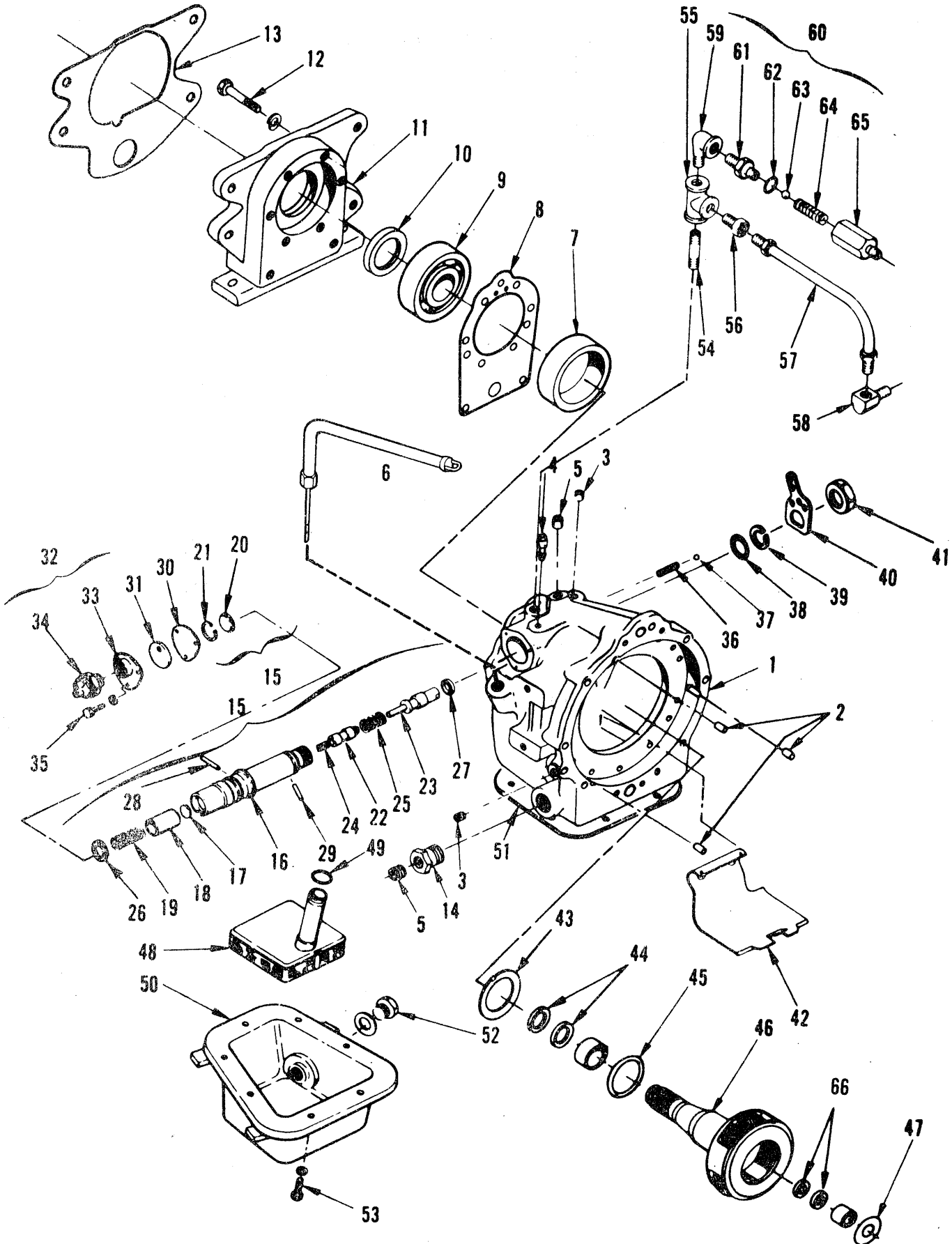
NOTE: Above items are not illustrated as a group.

TORQUE CONVERTER

ITEM	NUMBER	QTY.	DESCRIPTION
1	1006536-5	1	PLATE KIT, drive (Incl. Items 2 thru 5)
2	-----	1	*PLATE, reinforcement
3	-----	1	*PLATE, drive
4	-----	6	*BOLT, place, converter to drive plate
5	-----	6	*BOLT, place, drive plate to flywheel
	-----	1	*WASHER
6	1018704-5	1	*CONVERTER, torque

*NOTE: Items 2 thru 6 not included in FORWARD-REVERSE TRANSMISSION.

TRANSMISSION
HOUSING, PINION CAGE & OUTPUT SHAFT



714B & 715B TRACTORS
DRIVE TRAIN

103

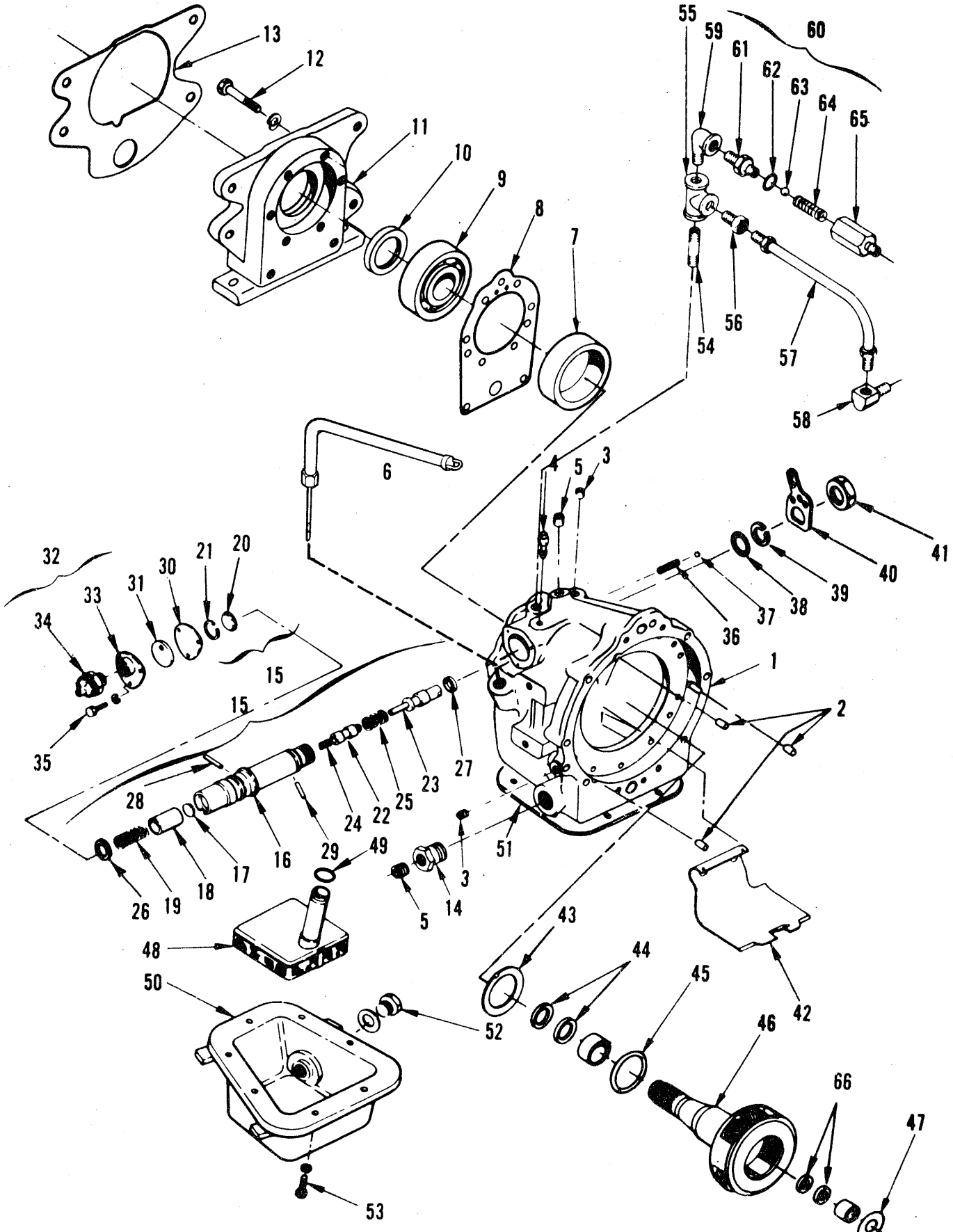
TRANSMISSION
HOUSING, PINION CAGE & OUTPUT SHAFT

ITEM	NUMBER	QTY.	DESCRIPTION
1	1018152-7	1	TRANSMISSION CASE ASY. (Incl. PLUG & BEARING)
	1018153-5	1	BEARING, needle
	1018154-3	1	PLUG, cup
2	1018237-6	3	PIN, dowel
3	1018155-0	2	PLUG, 1/8-27, dryseal
4	1018278-0	1	BREATHER
5	1018275-6	2	PLUG, 3/8, dryseal
6	1018019-8	1	DIPSTICK ASY.
	1022791-6	6	DIPSTICK ONLY
7	1018185-7	1	SLEEVE
8	1018260-8	1	GASKET, adapter, front
9	1018264-0	1	BEARING
10	1018263-2	1	SEAL, oil
11	1018261-6	1	ADAPTER ASY., w/ oil seal (Item 10)
12	1018265-7	8	BOLT, hex. hd., 7/16NC x 1-1/4
	0918199-1	8	LOCKWASHER, 7/16
13	1006207-3	1	GASKET, adapter
14	1018274-9	1	BUSHING, reducer
15	1018156-8	1	VALVE ASY., forward & reverse (Incl. Items 16 thru 29)
16	1018157-6	1	VALVE, forward & reverse
17	0910002-5	1	PLUG, expansion
18	1018158-4	1	VALVE, pressure regulator
19	1018159-2	1	SPRING, valve
20	1018160-0	1	RETAINER, valve spring
21	1018161-8	1	RING, snap
22	1018162-6	1	VALVE, inching (Dump)
23	1018163-4	1	PLUNGER, inching valve
24	1018164-2	1	SPRING, dump valve return
25	1002963-5	1	SPRING, outer
26	1018166-7	1	RING, oil sealing
27	1018167-5	1	SEAL, inching valve
28	1018168-3	1	PIN, spring
29	1018246-7	1	PIN, groove
30	1018175-8	1	GASKET, valve cover
31	1018169-1	1	CAM, switch
32	1018170-9	1	COVER ASY, w/ switch (Incl. Items 33 & 34)
33	1018171-7	1	COVER, valve
34	1018172-5	1	SWITCH ASY., w/ o-ring
	0921885-0	1	O-RING
35	1018176-6	3	BOLT, hex. hd., 1/4NC x 7/8
	1018177-4	3	LOCKWASHER, 1/4NC
36	1018180-8	1	SPRING, poppet
37	1018181-6	1	BALL, 5/16 steel
38	1018178-2	1	O-RING
39	1018179-0	1	RING, retaining
40	1018182-4	1	LEVER, forward & reverse shift
41	1018183-2	1	NUT, lock
42	1018184-0	1	BAFFLE, oil
43	1018202-0	1	WASHER, thrust
44	1018203-8	2	RING, sealling (large)
45	1018204-6	1	O-RING

Continued

714B & 715B TRACTORS
DRIVE TRAIN

TRANSMISSION
HOUSING, PINION CAGE & OUTPUT SHAFT



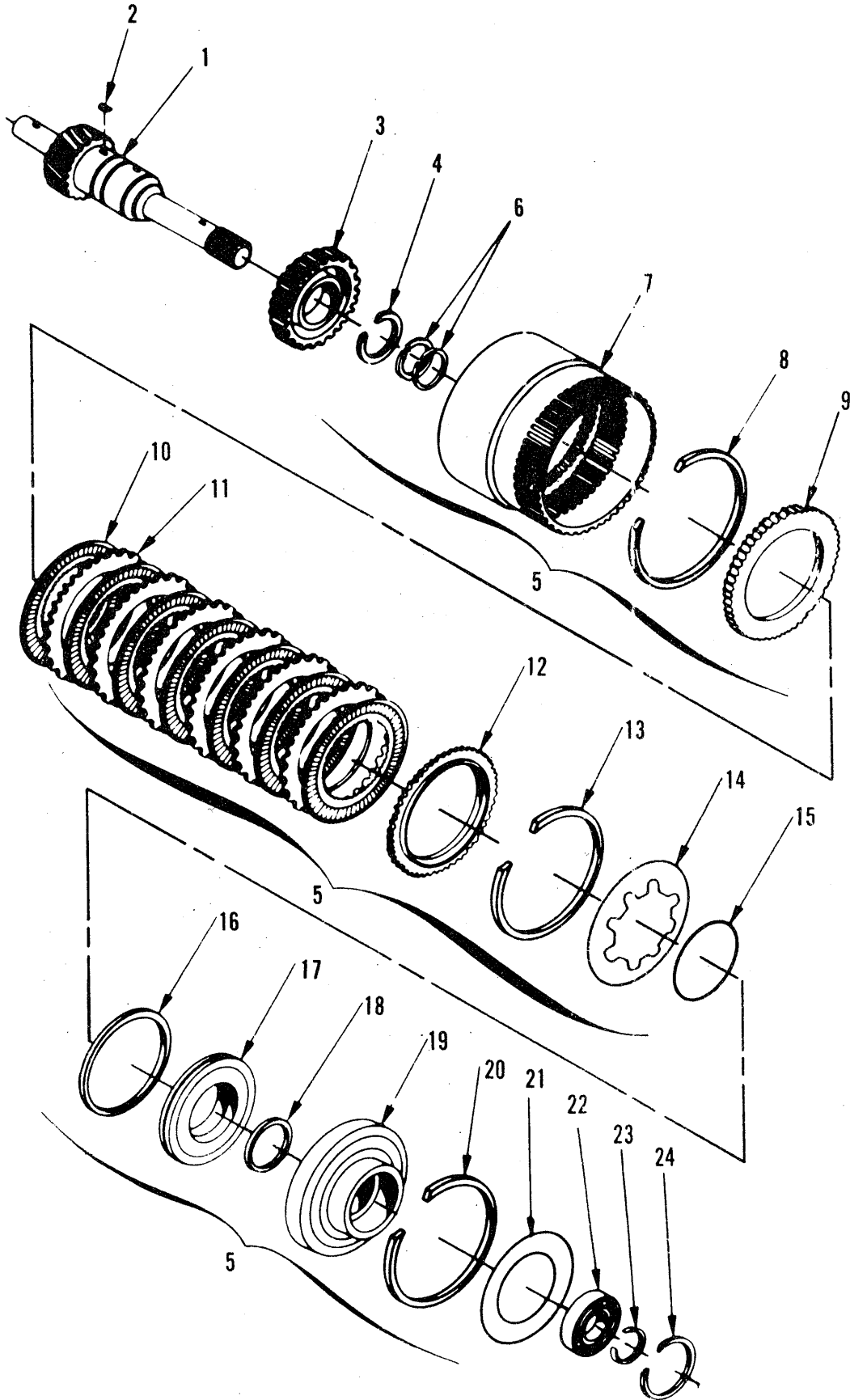
714B & 715B TRACTORS
DRIVE TRAIN

TRANSMISSION
HOUSING, PINION CAGE & OUTPUT SHAFT

ITEM	NUMBER	QTY.	DESCRIPTION
46	1018189-9	1	SHAFT ASY., carrier & output
	-----	1	CARRIER ASY., w/ bearing (Order SHAFT ASY.)
	1018191-5	1	BEARING
	1018192-3	3	PINION, L.H.
	1018193-1	3	PINION, R.H.
	1018194-9	3	PIN, pinion shaft
	1018195-6	3	PIN, pinion shaft
	1018196-4	3	SHAFT, pinion
	1018197-2	3	SHAFT, pinion
	1018198-0	18	SPACER, pinion bearing
	1018199-8	288	ROLLER, pinion
	1018200-4	1	RING, oil collector
	1018201-2	6	PLATE, pinion thrust
47	1018205-3	1	WASHER, thrust, clutch hub
48	1018187-3	1	SCREEN ASY., oil
49	1018186-5	1	O-RING
50	1018188-1	1	PAN, oil
51	9003928-0	1	GASKET, oil pan (in a tube)
52	1016973-8	1	PLUG ASY., drain (Incl. GASKET)
	-----	1	GASKET, drain plug (Use Plug Asy. 1016973)
53	0921210-1	7	CAPSCREW, 3/8NC x 1
	0916965-7	7	LOCKWASHER, 3/8
54	1018269-9	1	NIPPLE, pipe, 3/8 x 1
55	1018268-1	1	TEE, pipe, 3/8
56	1018271-5	1	CONNECTOR, 1/2 tube
57	1018272-3	1	TUBE ASY., connector
58	1018270-7	1	FITTING, tube, 90°
59	1018283-0	1	ELBOW, 3/8 pipe, st., 90°
60	1018279-8	1	VALVE ASY., check
61	1018281-4	1	SEAT, check valve
62	0924003-7	1	O-RING
63	0917579-5	1	BALL, steel
64	1018282-2	1	SPRING, check valve
65	1018279-8	1	VALVE ASY., check (Incl. Items 60 thru 63)
66	1018210-3	2	RING, sealing (small)

714B & 715B TRACTORS
DRIVE TRAIN

TRANSMISSION
DRIVE GEAR & FORWARD CLUTCH



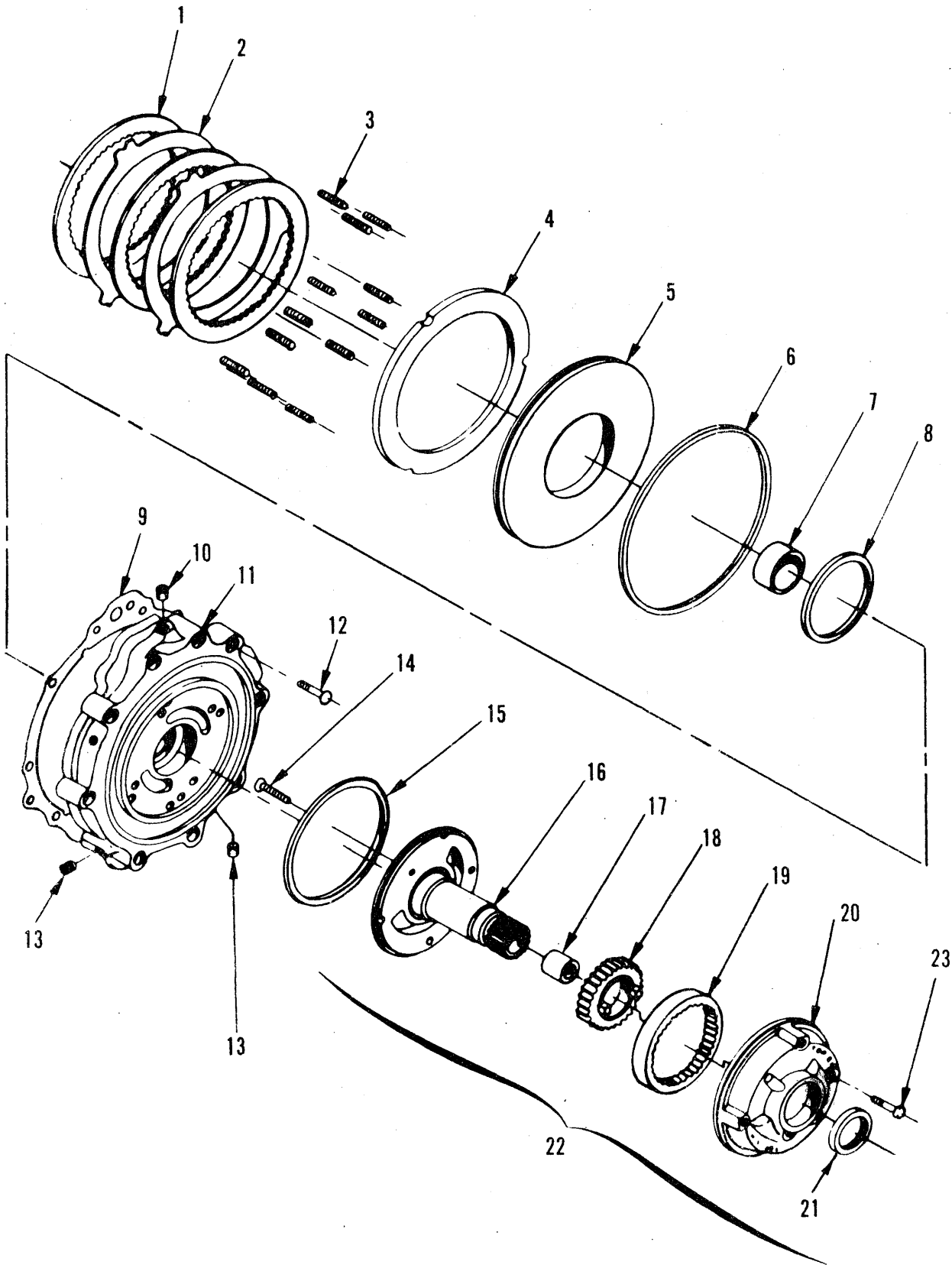
714B & 715B TRACTORS
DRIVE TRAIN

107

TRANSMISSION
DRIVE GEAR & FORWARD CLUTCH

ITEM	NUMBER	QTY.	DESCRIPTION
1	1018206-1	1	GEAR ASY., drive
	-----	1	GEAR, drive (Order GEAR ASY.)
	1018208-7	1	TUBE, lube
	1018209-5	1	PLUG
2	1018231-9	1	KEY, woodruff, drive gear
3	1018230-1	1	HUB, forward clutch
4	1018232-7	1	RING, snap
5	1018211-1	1	GEAR & CLUTCH ASY., ring (Incl. Items 6 thru 20)
6	1018203-8	2	RING, sealing
7	1018212-9	1	GEAR, ring
8	1018226-9	1	RING, snap (Use as req'd)
	1018227-7	1	RING, snap (Use as req'd)
	1018228-5	1	RING, snap (Use as req'd)
9	1018225-1	1	PLATE, clutch pressure
10	1018224-4	7	PLATE, clutch, inner
11	1018222-8	6	PLATE, clutch (Use as req'd)
	-----	6	PLATE, clutch (Order PLATE 1018222)
12	1018221-0	1	PLATE, clutch pressure
13	1018220-2	1	RING, snap, clutch spring
14	1018219-4	1	SPRING, clutch
15	1018218-6	1	RING, bearing, clutch spring
16	1018216-0	1	RING, clutch
17	1018215-2	1	PISTON, forward clutch
18	1018214-5	1	RING, sealing
19	1018213-7	1	CYLINDER, forward clutch
20	1018217-8	1	RING, snap, ring gear
21	1018236-8	1	WASHER, thrust (.056/.086 thick)
	1019620-2	1	WASHER, thrust (.087/.101 thick)
22	1018233-5	1	BEARING
23	1018235-0	1	RING, snap
24	1018234-3	1	RING, snap

TRANSMISSION
FRONT PUMP & REVERSE CLUTCH



714B & 715B TRACTORS
DRIVE TRAIN

109

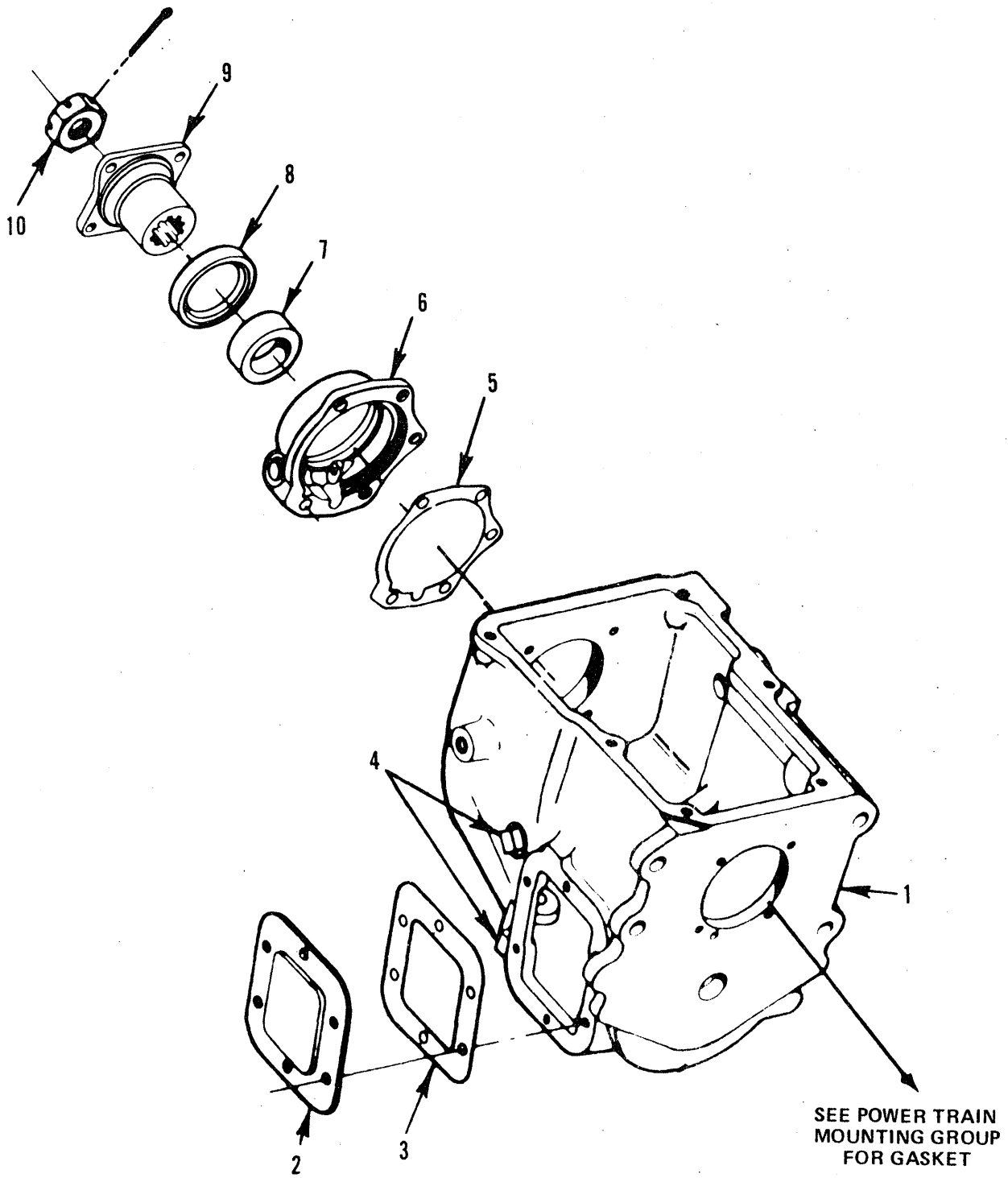
TRANSMISSION
FRONT PUMP & REVERSE CLUTCH

ITEM	NUMBER	QTY.	DESCRIPTION
1	1018238-4	3	PLATE, reverse clutch
2	1018239-2	2	PLATE, outer clutch, steel
3	1018240-0	11	SPRING, pressure plate
4	1018241-8	1	PLATE, pressure, reverse clutch
5	1018247-5	1	PISTON, reverse clutch
6	1018248-3	1	RING, sealing
7	1018245-9	1	BUSHING, adapter
8	0923817-1	1	RING, sealing
9	1018242-6	1	GASKET, case & adapter
10	1018276-4	1	PLUG, 1/4 pipe (Optional)
	1018277-2	1	PLUG, 1/4 pipe (Optional)
11	1018243-4	1	ADAPTER, forward & reverse (Incl. Item 7)
12	1018249-1	4	CAPSCREW, 3/8NC x 1-1/4
13	1018155-0	2	PLUG, 1/8-27, dryseal
14	0903857-1	1	SCREW, flat hd., No. 10NC x 3/4
15	4905789-6	1	GASKET, pump, front
16	-----	1	*SUPPORT, converter (Incl. BUSHING)
17	-----	1	*BUSHING
18	-----	1	*GEAR, pump drive, front (Incl. BUSHING)
	-----	1	*BUSHING
19	-----	1	*GEAR, pump driven, front
20	-----	1	*BODY, pump, front (Incl. BUSHING)
	-----	1	*BUSHING
21	0927023-2	1	SEAL, oil
22	1018251-7	1	PUMP ASY., front (Incl. Items 14, & 16 thru 21)
23	1018258-2	2	BOLT, hex. hd., 5/16NC x 1-3/4
	1018259-0	2	BOLT, hex. hd., 5/16NC x 1-7/8

*Not serviced separately

714B & 715B TRACTORS
DRIVE TRAIN

TRANSMISSION
CASE
4-SPEED



714B & 715B TRACTORS
DRIVE TRAIN

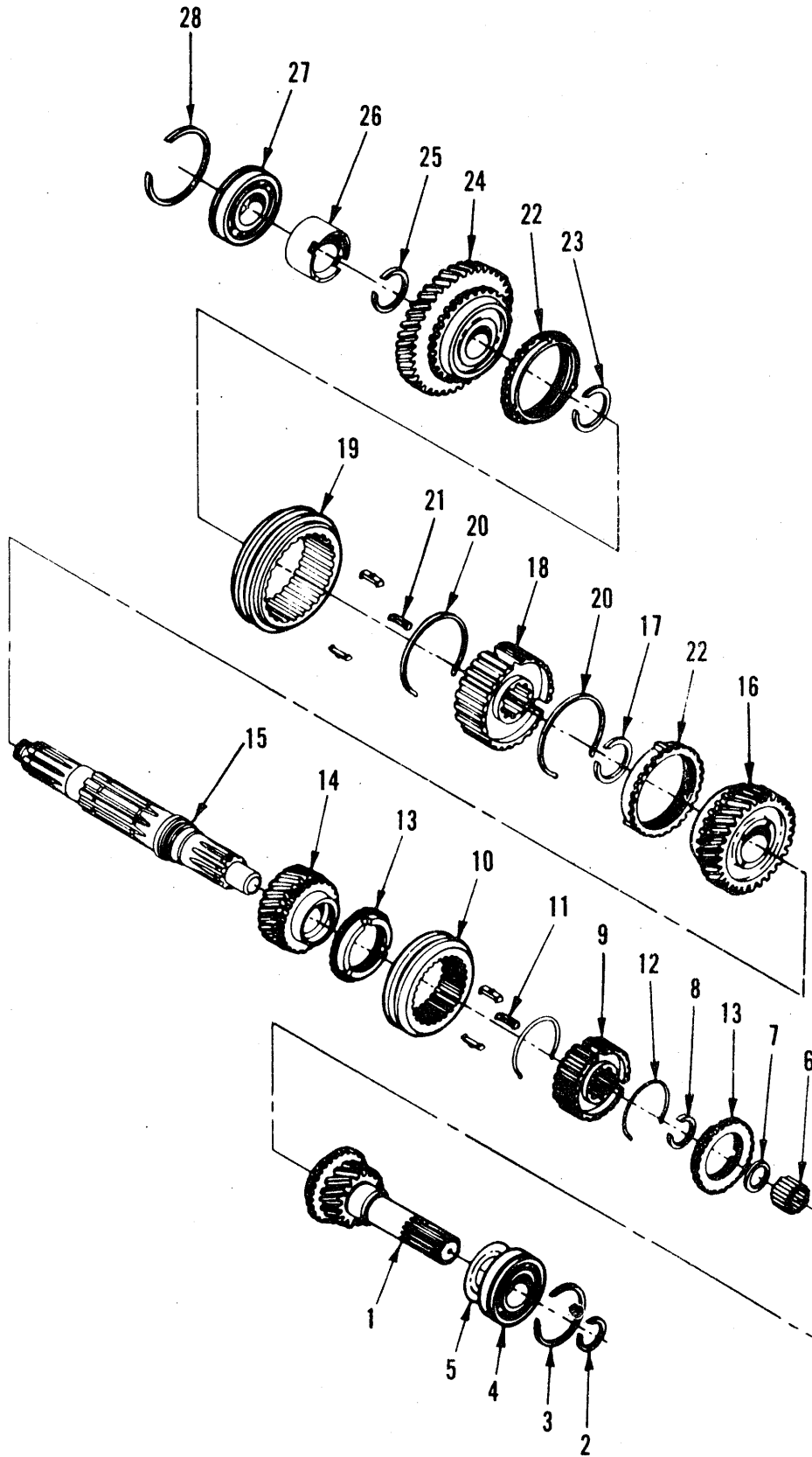
111

TRANSMISSION
CASE
4-SPEED

ITEM	NUMBER	QTY.	DESCRIPTION
—	1018253-3	1	TRANSMISSION, 4-speed (Incl. 1008413 w/ RETAINER & SHAFT)
1	1002969-2	1	CASE, transmission
2	4981202-7	1	COVER, power opening
	0922586-3	6	CAPSCREW, pltd., 3/8NC x 5/8
	0920427-2	6	LOCKWASHER, ext. tooth, 3/8
3	4981203-5	1	GASKET, power opening
4	0912726-7	1	PLUG, pipe
	2017752-3	1	PLUG, pipe
5	1002972-6	1	GASKET, main shaft bearing retainer
6	1018229-3	1	RETAINER ASY., main shaft
	0919287-3	5	CAPSCREW, 3/8NC x 1-7/8
	0920427-2	5	LOCKWASHER, ext. tooth, 3/8
	1019025-4	1	PLUG, speedometer opening
7	1002971-8	1	SPACER, speedometer gear
8	1002973-4	1	SEAL, oil
9	1002984-1	1	FLANGE, companion
	1017969-5	4	BOLT, flange
	0928212-0	4	NUT, 7/16NF, Gr. 8
10	1002986-6	1	NUT, main shaft
	0925719-7	1	PIN, cotter, 1/8 x 2

714B & 715B TRACTORS
DRIVE TRAIN

TRANSMISSION
MAIN SHAFT
4-SPEED



714B & 715B TRACTORS
DRIVE TRAIN

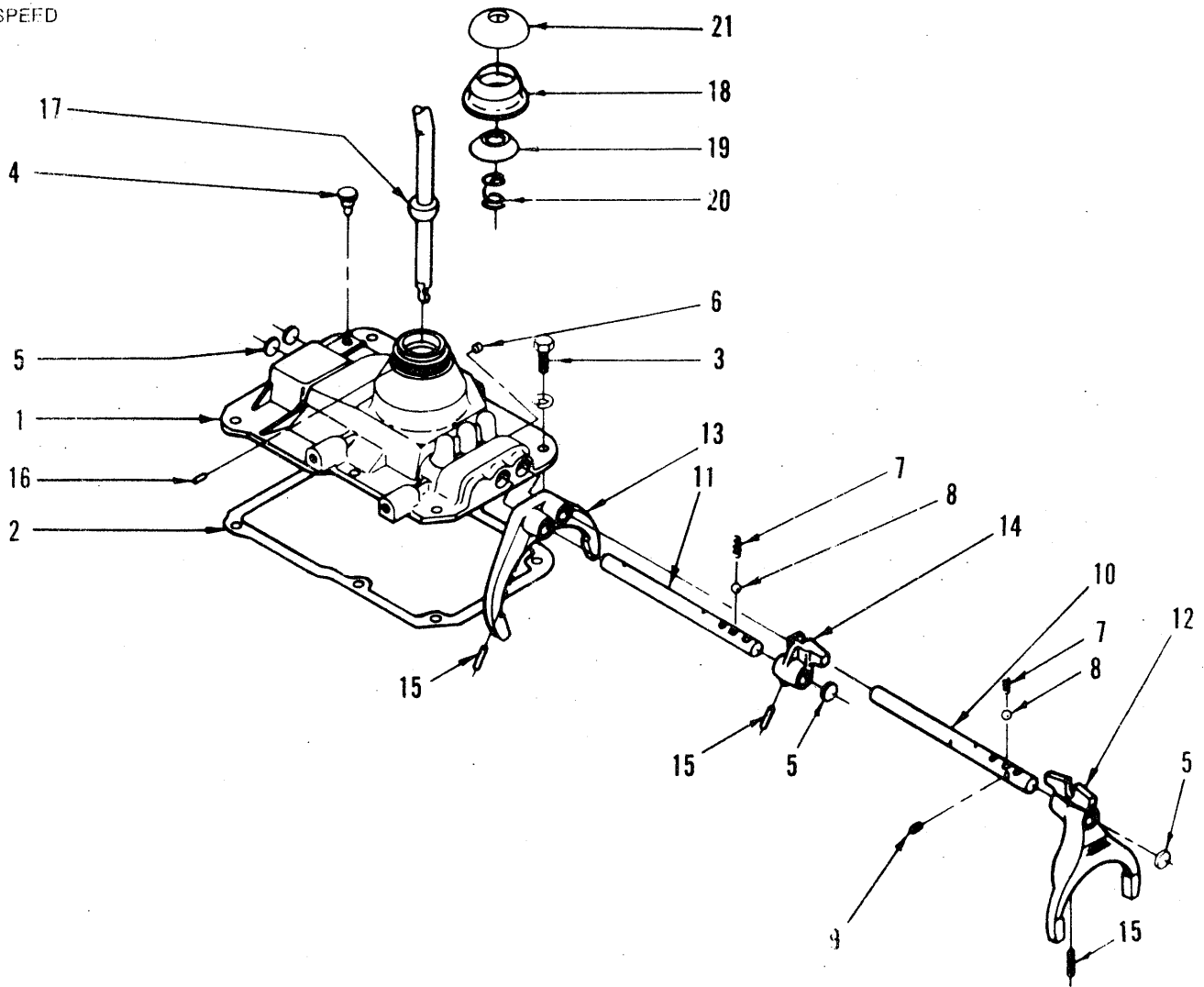
113

TRANSMISSION
MAIN SHAFT
4-SPEED

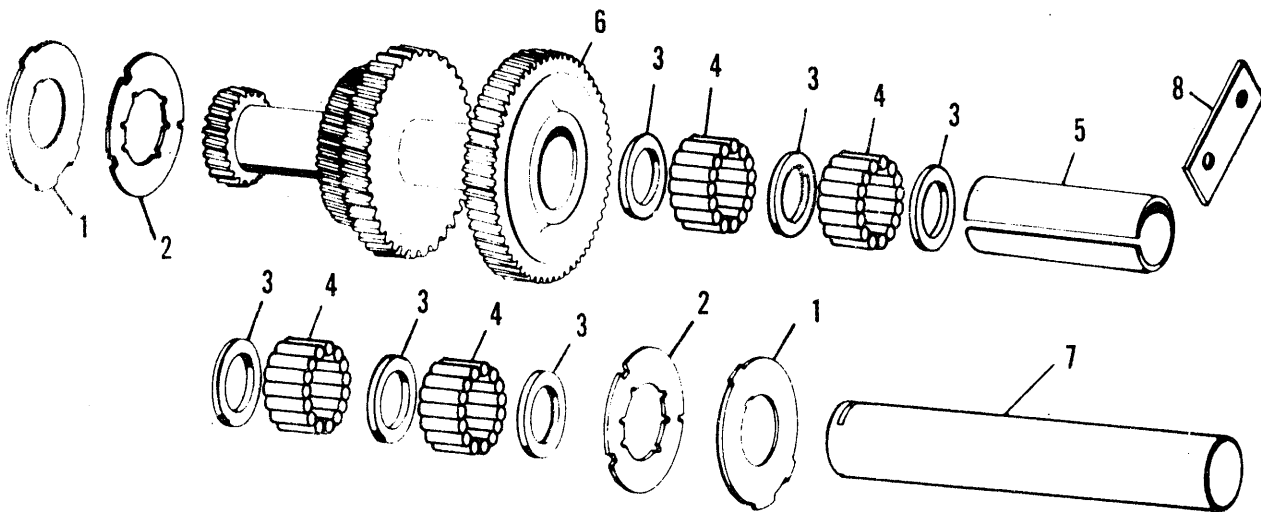
ITEM	NUMBER	QTY.	DESCRIPTION
1	1018244-2	1	SHAFT, input
2	1006758-5	*	RING, snap (.117/.119 thick) (*Use 1 as req'd)
	1007034-0	*	RING, snap (.120/.122 thick) (*Use 1 as req'd)
	1007035-7	*	RING, snap (.123/.125 thick) (*Use 1 as req'd)
	1007036-5	*	RING, snap (.127/.129 thick) (*Use 1 as req'd)
3	1006752-8	1	RING, snap
4	1006757-7	1	BEARING, annular
5	4983961-6	1	BAFFLE, oil, main drive gear
6	4981218-3	22	ROLLER, bearing
7	4981219-1	1	SPACER
8	1017029-8	1	RING, snap
-	1006769-2	1	SYNCHRONIZER ASY., 3rd & 4th gear (Incl. Items 9, 10, 11 & 12)
9	-----	1	HUB, synchronizer (Serviced in ASY.)
10	-----	1	SLEEVE, synchronizer (Serviced in ASY.)
11	1006772-6	3	PLATE, shifting
12	1006768-4	2	SPRING, synchronizer
13	1006767-6	2	RING, blocking, 3rd & 4th speed, synchronizer
14	1006787-4	1	GEAR, 3rd speed, main shaft
15	1016365-7	1	SHAFT, main
16	1006788-2	1	GEAR, 2nd speed, main shaft
17	1006755-1	1	RING, snap
-	1006794-0	1	SYNCHRONIZER ASY., 1st & 2nd speed (Incl. Items 20, 21, 22 & 23)
18	-----	1	HUB, synchronizer (Serviced in ASY.)
19	-----	1	COLLAR, synchronizer (Serviced in ASY.)
20	1006806-2	2	SPRING, synchronizer
21	0266423-3	3	PLATE, shifting
22	0266424-1	2	RING, blocking
23	1006755-1	*	RING, snap (.092/.094 thick) (*Use 1 as req'd)
	1006774-2	*	RING, snap (.095/.097 thick) (*Use 1 as req'd)
	1007032-4	*	RING, snap (.098/.100 thick) (*Use 1 as req'd)
	1007033-2	*	RING, snap (.101/.103 thick) (*Use 1 as req'd)
24	1006790-8	1	GEAR, 1st speed, main shaft
25	1007033-2	1	RING, snap
26	1007246-0	1	SPACER, main shaft
27	1006753-6	1	BEARING, annular
28	1006752-8	1	RING, snap

714B & 715B TRACTORS
DRIVE TRAIN

TRANSMISSION
CONTROL COVER
4-SPEED



TRANSMISSION
COUNTERSHAFT
4-SPEED



714B & 715B TRACTORS
DRIVE TRAIN

115

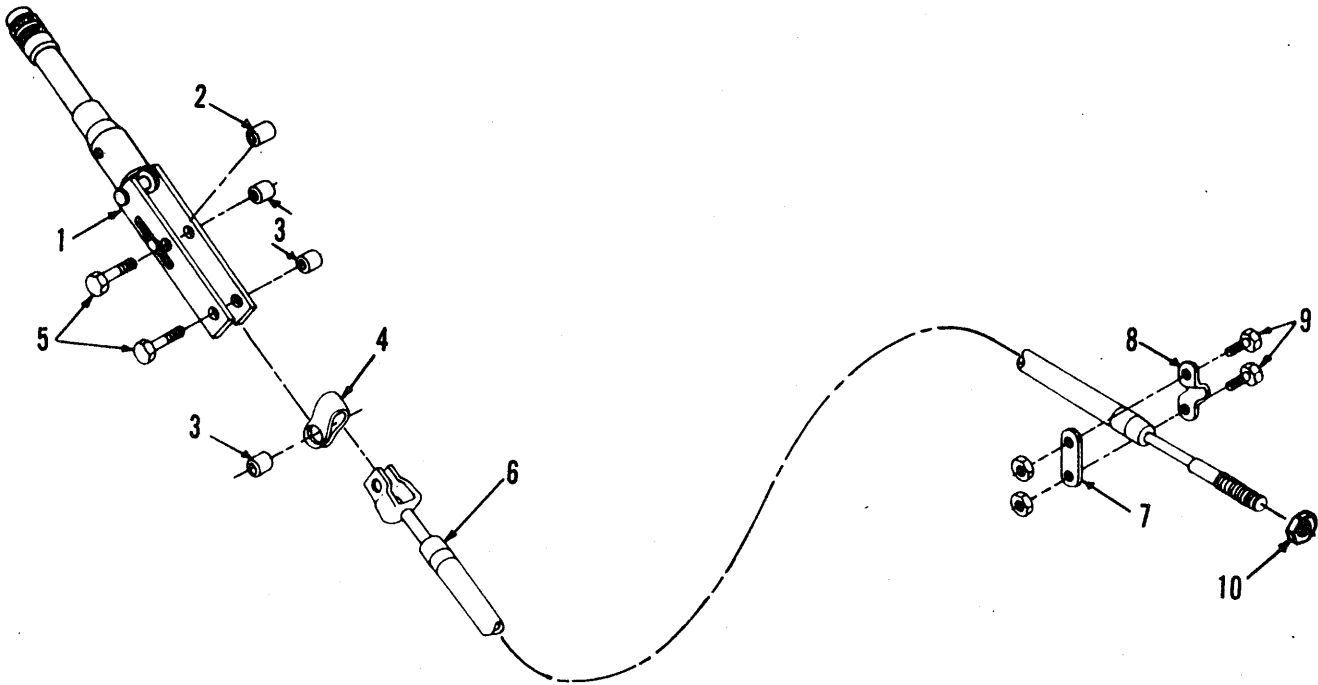
TRANSMISSION
CONTROL COVER
4-SPEED

ITEM	NUMBER	QTY.	DESCRIPTION
1	1002976-7	1	HOUSING, control
2	1006801-3	1	GASKET, control housing
3	0921966-8	6	CAPSCREW, pltd., 3/8NC x 7/8
	0916965-7	6	LOCKWASHER, 3/8
4	1006765-0	1	BREATHER ASY.
5	0910002-5	4	PLUG, expansion
6	1006762-7	1	PLUG, taper
7	4981230-8	2	SPRING, poppet, 3rd & direct rail
8	0905360-4	2	BALL, steel
9	1006764-3	1	PLUNGER, interlock
10	1006782-5	1	SHIFT RAIL, 3rd & direct
11	1006783-3	1	SHIFT RAIL, 1st & 2nd
12	1006798-1	1	SHIFT FORK, 3rd & direct
13	1006799-9	1	SHIFT FORK, 1st & 2nd
14	1006784-1	1	END, shift rail, 1st & 2nd
15	1006882-3	3	PIN, roll
16	1006747-8	1	PIN, control housing
17	1014633-0	1	LEVER, control
	1009263-3	1	KNOB, control
	0917421-0	1	NUT, jam, 3/8NC
18	1006749-4	1	CAP, control housing
19	1006750-2	1	WASHER, spring, control lever
20	1006751-0	1	SPRING, control lever
21	1007379-9	1	CAP, rubber

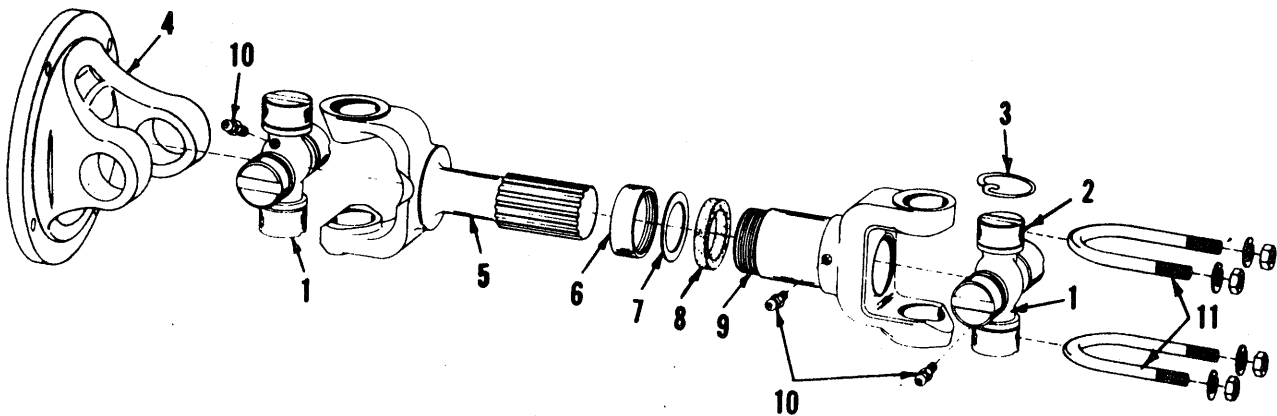
TRANSMISSION
COUNTERSHAFT
4-SPEED

ITEM	NUMBER	QTY.	DESCRIPTION
1	1006776-7	2	WASHER, thrust
2	1006754-4	2	WASHER, thrust
3	4981219-1	7	SPACER, bearing
4	4981218-3	110	ROLLER, bearing
5	1006775-9	1	SPACER, bearing
6	1006795-7	1	GEAR, countershaft
7	1006777-5	1	COUNTERSHAFT
8	1006756-9	1	LOCKPLATE, connector shaft
	0921965-0	2	CAPSCREW, pltd., 3/8NC x 3/4
	0920427-2	2	LOCKWASHER, 3/8

CONTROLS, PARKING BRAKE



MAIN DRIVE SHAFT



714B & 715B TRACTORS
DRIVE TRAIN

117

CONTROLS, PARKING BRAKE

ITEM	NUMBER	QTY.	DESCRIPTION
1	1009013-2	1	LEVER ASY., parking brake (Incl. Items 2, 3 & 4)
2	1009017-3	1	SPACER
3	1009016-5	3	SPACER
4	1009015-7	1	CLAMP, cable
5	0921719-1	2	CAPSCREW, 5/16NC x 2-1/2
	0917356-8	2	LOCKWASHER, 5/16
	0917372-5	2	NUT, 5/16NC
6	1009886-1	1	CABLE ASY., parking brake
7	1004338-8	1	SPACER
8	1004339-6	1	CLAMP, cable
9	0927187-5	2	CAPSCREW, 3/8NC x 1
	0919439-0	2	NUT, lock, 3/8NC
10	0918403-7	1	NUT, jam, 3/8NF

MAIN DRIVE SHAFT

ITEM	NUMBER	QTY.	DESCRIPTION
-	1008008-3	1	SHAFT ASY., main drive
1	0081559-7	2	REPAIR KIT, u-joint
2	-----	8	CUP ASY., bearing
3	-----	8	RING, snap
4	1009938-0	1	YOKE, flange
5	1009940-6	1	YOKE, shaft
	1009939-8	1	DUST CAP KIT
6	-----	1	CAP, dust
7	-----	1	WASHER
8	-----	1	WASHER, cork
9	1006986-2	2	YOKE, sleeve
10	9002040-5	3	FITTING, grease
11	1006329-5	2	U-BOLT
	0916965-7	4	LOCKWASHER, 3/8
	0911041-2	4	NUT, 3/8NF

714B & 715B TRACTORS
DRIVE TRAIN

119

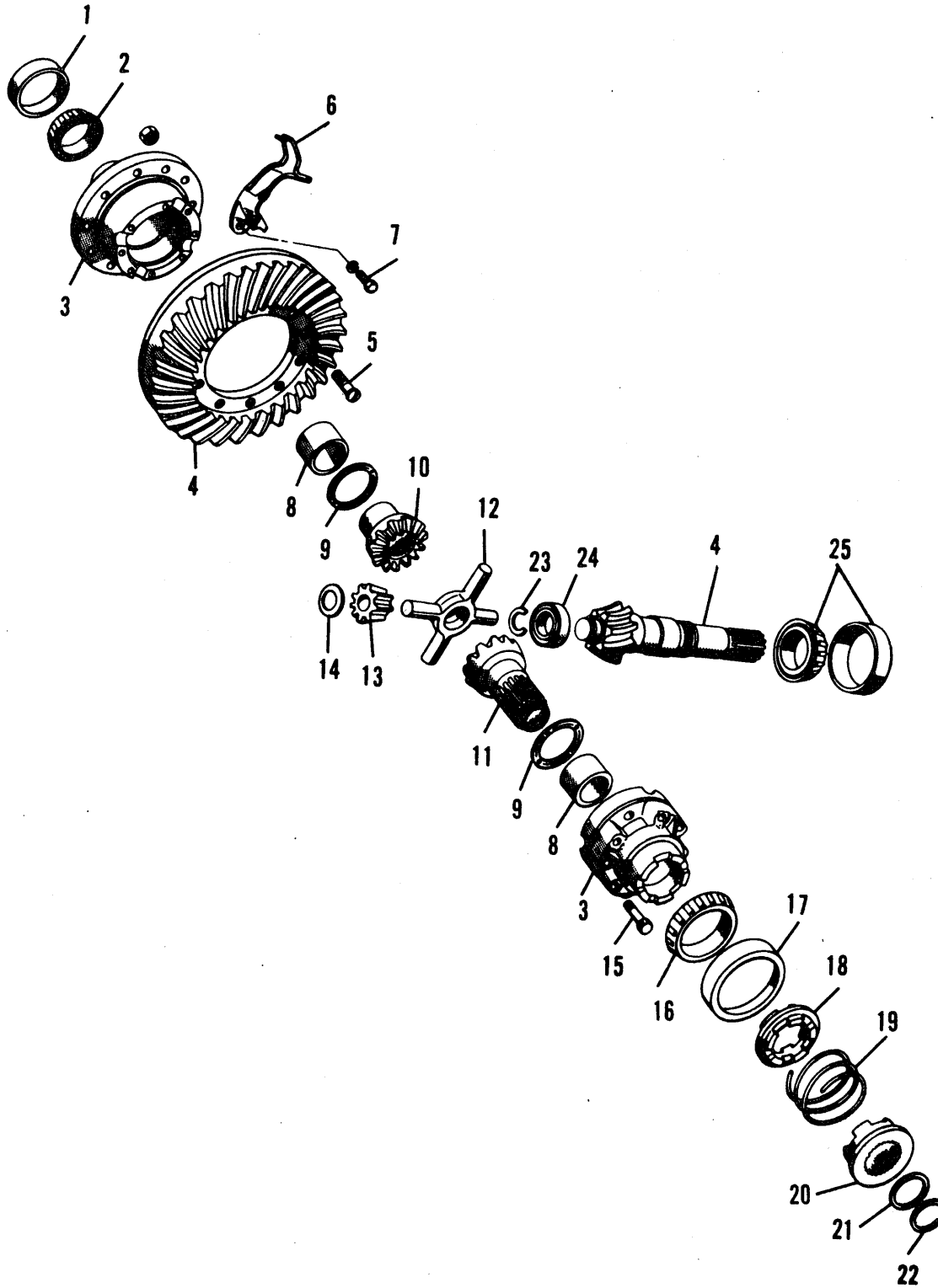
AXLE HOUSING, REAR DRIVE

ITEM	NUMBER	QTY.	DESCRIPTION
-	1008001-8	1	AXLE ASY., rear drive (Not shown)
-	1008467-1	1	HOUSING ASY., center (Not shown)
	1008514-0	1	PLUG, vent, cover
	1008598-3	2	PLUG, magnetic
1	1008475-4	1	GEAR SET, matched
2	1008491-1	1	RETAINER ASY., pinion bearing
3	1008492-9	*	SPACER, pinion bearing(1.2545/1.2540)
	1008493-7	*	SPACER, pinion bearing(1.2565/1.2560)
	1008494-5	*	SPACER, pinion bearing(1.2585/1.2580)
	1008495-2	*	SPACER, pinion bearing(1.2605/1.2600)
	1008496-0	*	SPACER, pinion bearing(1.2625/1.2620)
	1008497-8	*	SPACER, pinion bearing(1.2645/1.2640)
	1008498-6	*	SPACER, pinion bearing(1.2665/1.2660)
	1008499-4	*	SPACER, pinion bearing(1.2685/1.2680)
	1008500-9	*	SPACER, pinion bearing(1.2705/1.2700)
	1008501-7	*	SPACER, pinion bearing(1.2725/1.2720)
	1008502-5	*	SPACER, pinion bearing(1.2745/1.2740)
	1008503-3	*	SPACER, pinion bearing(1.2765/1.2760)
	1008504-1	*	SPACER, pinion bearing(1.2785/1.2780)
	1008505-8	*	SPACER, pinion bearing(1.2805/1.2800)
	1008506-6	*	SPACER, pinion bearing(1.2825/1.2820)
	1012950-0	-	SPACER BEARING KIT
4	0929834-0	1	CONE & ROLLER ASY., pinion
5	0923970-8	1	SEAL, o-ring
6	1008508-2	1	SEAL, pinion bearing retainer
7	1008509-0	1	SEAL ASY., pinion
8	1008510-8	1	FLANGE, u-joint
9	1008511-6	1	SEAL, pinion spline
10	1008512-4	1	WASHER, pinion retainer
11	1008513-2	1	NUT, slotted
	0919431-7	1	PIN, cotter, 3/16 x 2-1/2
12	0929837-3	6	BOLT, 9/16NC x 1-1/2
	0920326-6	12	LOCKWASHER, 9/16

*Use one as required

714B & 715B TRACTORS
DRIVE TRAIN

DIFFERENTIAL ASY.
REAR AXLE



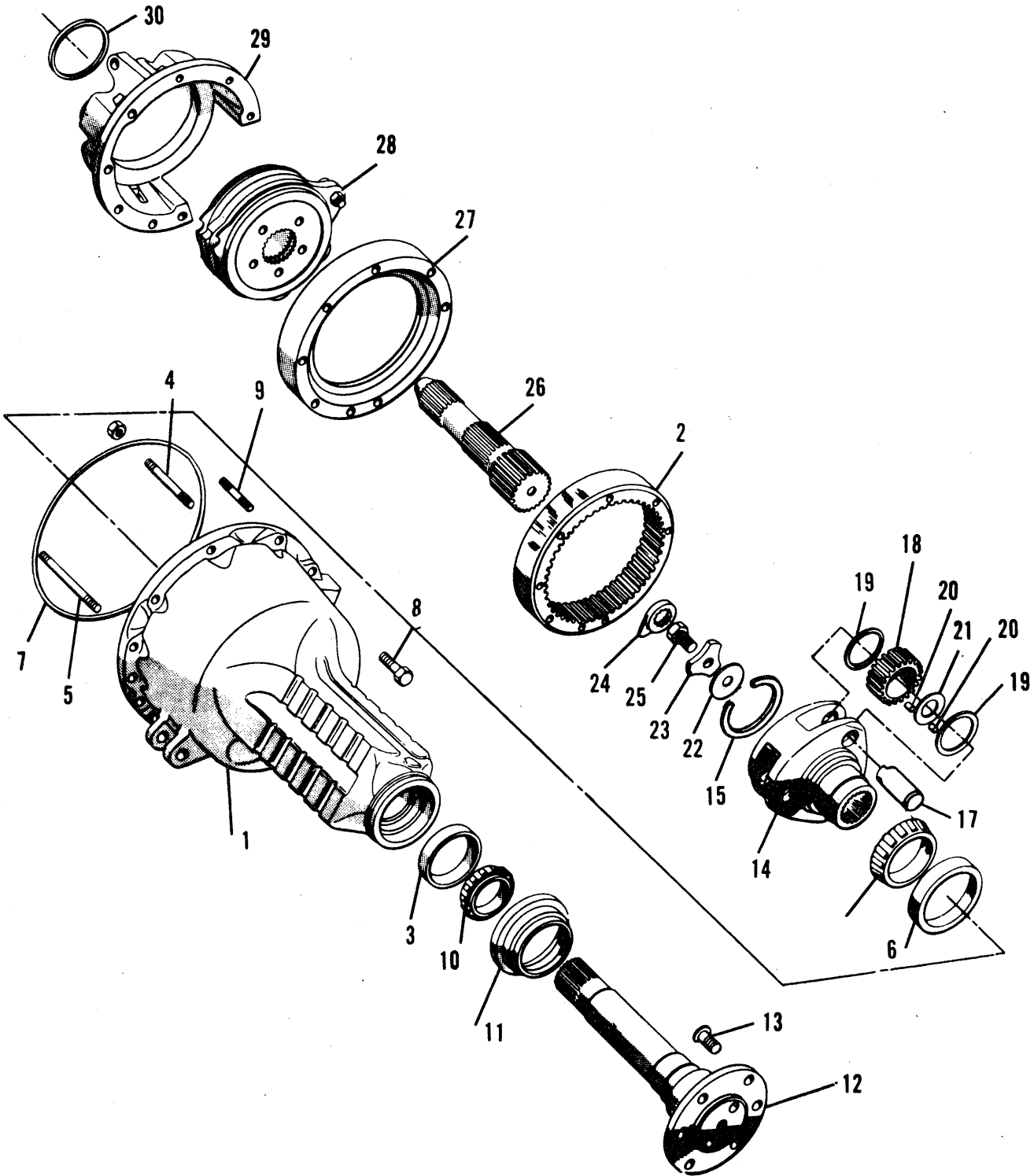
714B & 715B TRACTORS
DRIVE TRAIN

121

DIFFERENTIAL ASY.
REAR AXLE

ITEM	NUMBER	QTY.	DESCRIPTION
1	0202584-9	1	CUP, differential bearing
2	4251113-9	1	CONE & ROLLER ASY., L.H.
3	1008478-8	1	CASE ASY., differential
4	1008475-4	1	GEAR SET, matched
5	1008595-9	12	BOLT, gear to differential case
	1008596-7	12	NUT, self-locking
6	1008562-9	1	BLOCK, drive gear thrust
7	0920676-4	2	BOLT, 3/8NC x 1
	0918199-1	2	LOCKWASHER, 3/8
8	1008479-6	2	BUSHING, differential case
9	1008484-6	2	WASHER, differential thrust
10	1008480-4	1	GEAR, differential side
11	1008481-2	1	GEAR, differential side, R.H.
12	1008483-8	1	SPIDER, differential
13	1008482-0	4	PINION, differential
14	1008485-3	4	WASHER, differential pinion thrust
15	1016603-1	8	BOLT, self-locking, 1/2NC x 2-7/8
16	0929163-4	1	CONE & ROLLER ASY., R.H.
17	0624641-7	1	CUP, differential, R.H.
18	1008490-3	1	ADAPTER, differential lock
19	1008488-7	1	SPRING, coupling
20	1008486-1	1	COUPLING, differential lock
21	1008489-5	1	WASHER, stop, coupling
22	0929842-3	1	RING, lock
23	1008474-7	1	RING, pilot bearing
24	1008473-9	1	BEARING ASY., drive pinion pilot
25	0929835-7	1	CONE & ROLLER ASY., drive pinion

REAR AXLE HOUSING & BRAKE PARTS



714B & 715B TRACTORS
DRIVE TRAIN

123

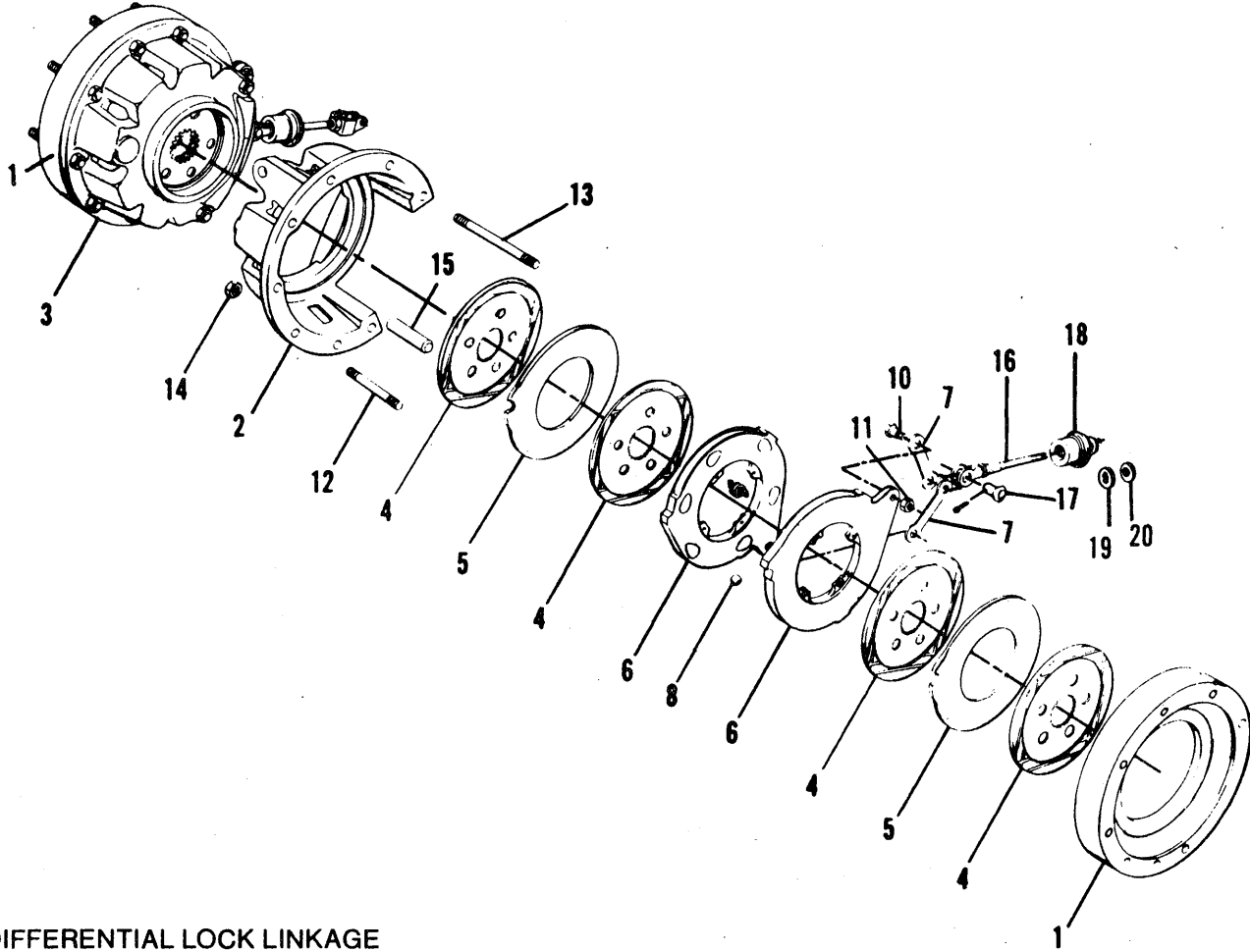
REAR AXLE HOUSING & BRAKE PARTS

ITEM	NUMBER	QTY.	DESCRIPTION
1	1008515-7	1	HOUSING ASY., R.H. (Incls. Items 2 thru 6)
	1008520-7	1	HOUSING ASY., L.H. (Incls. Items 2 thru 6)
2	1008516-5	2	GEAR, planet ring
3	0043001-7	2	CUP, shaft bearing, outer
4	1008518-1	12	STUD
	0929839-9	12	NUT, 1/2NF
5	1008519-9	4	STUD
	0929839-9	4	NUT, 1/2NF
6	0611774-1	2	CUP, differential bearing
7	0929841-5	2	O-RING, axle to housing
8	0922664-8	21	BOLT, axle housing to center housing, 5/8NC x 2
	0915971-6	2	BOLT, axle hsg. to center housing, 5/8NC x 2-3/4
9	1008574-4	4	STUD, axle housing to center housing
	0929840-7	4	NUT, 5/8NF
10	0229110-2	2	CONE & ROLLER ASY., outer
11	1008522-3	2	RETAINER ASY., oil seal
12	1008470-5	2	SHAFT & BOLT ASY. (Incls. Item 13)
13	1008471-3	16	BOLT, shaft to wheel
14	1008523-1	2	CARRIER ASY. (Incls. Items 15 thru 21)
15	1008528-0	1	RETAINER, shaft
16	0928859-8	1	CONE & ROLLER ASY.
17	1008527-2	3	SHAFT, planet gear
18	1008524-9	3	GEAR, planet
19	1008526-4	6	WASHER, planet gear thrust
20	1008525-6	3	PLANET GEAR KIT, needle bearing
21	1008530-6	3	SPACER, needle bearing
22	1008541-3	*	SPACER, shaft bearing (.049/.050)
	1008531-4	*	SPACER, shaft bearing (.053/.054)
	1008532-2	*	SPACER, shaft bearing (.057/.058)
	1008533-0	*	SPACER, shaft bearing (.061/.062)
	1008534-8	*	SPACER, shaft bearing (.065/.066)
	1008535-5	*	SPACER, shaft bearing (.069/.070)
	1008536-3	*	SPACER, shaft bearing (.073/.074)
	1008537-1	*	SPACER, shaft bearing (.077/.078)
	1008538-9	*	SPACER, shaft bearing (.081/.082)
	1008539-7	*	SPACER, shaft bearing (.085/.086)
	1008540-5	*	SPACER, shaft bearing (.089/.090)
	1012951-8	-	SPACER BEARING KIT
23	1008549-6	2	WASHER, shaft retainer
24	1008542-1	1	LOCK, shaft bolt
25	0929838-1	2	BOLT, 7/8NF x 1-5/8
26	1008543-9	2	GEAR, planet, sun
27	1008544-7	2	HOUSING, brake, outer
28	-----	2	BRAKE ASY. (Refer to BRAKE ASY. for component parts)
29	1008547-0	1	HOUSING, brake, R.H. inner
	1008548-8	1	HOUSING, brake, L.H. inner
30	1008564-5	+	SHIM, gear bearing (.038/.040)
	1008565-2	+	SHIM, gear bearing (.044/.046)
	1008566-0	+	SHIM, gear bearing (.050/.052)
	1008567-8	+	SHIM, gear bearing (.056/.058)
	1008568-6	+	SHIM, gear bearing (.062/.064)
	1008569-4	+	SHIM, gear bearing (.068/.070)
	1008570-2	+	SHIM, gear bearing (.074/.076)
	1008571-0	+	SHIM, gear bearing (.080/.082)
	1012952-6	-	SHIM BEARING KIT

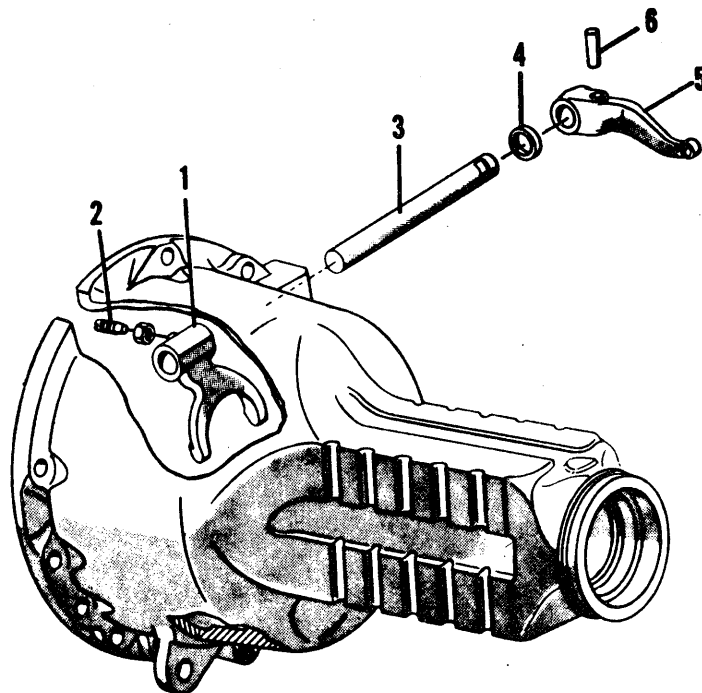
*One used per Axle, as req'd

+ Use one as req'd

BRAKE ASY.



DIFFERENTIAL LOCK LINKAGE



714B & 715B TRACTORS
DRIVE TRAIN

125

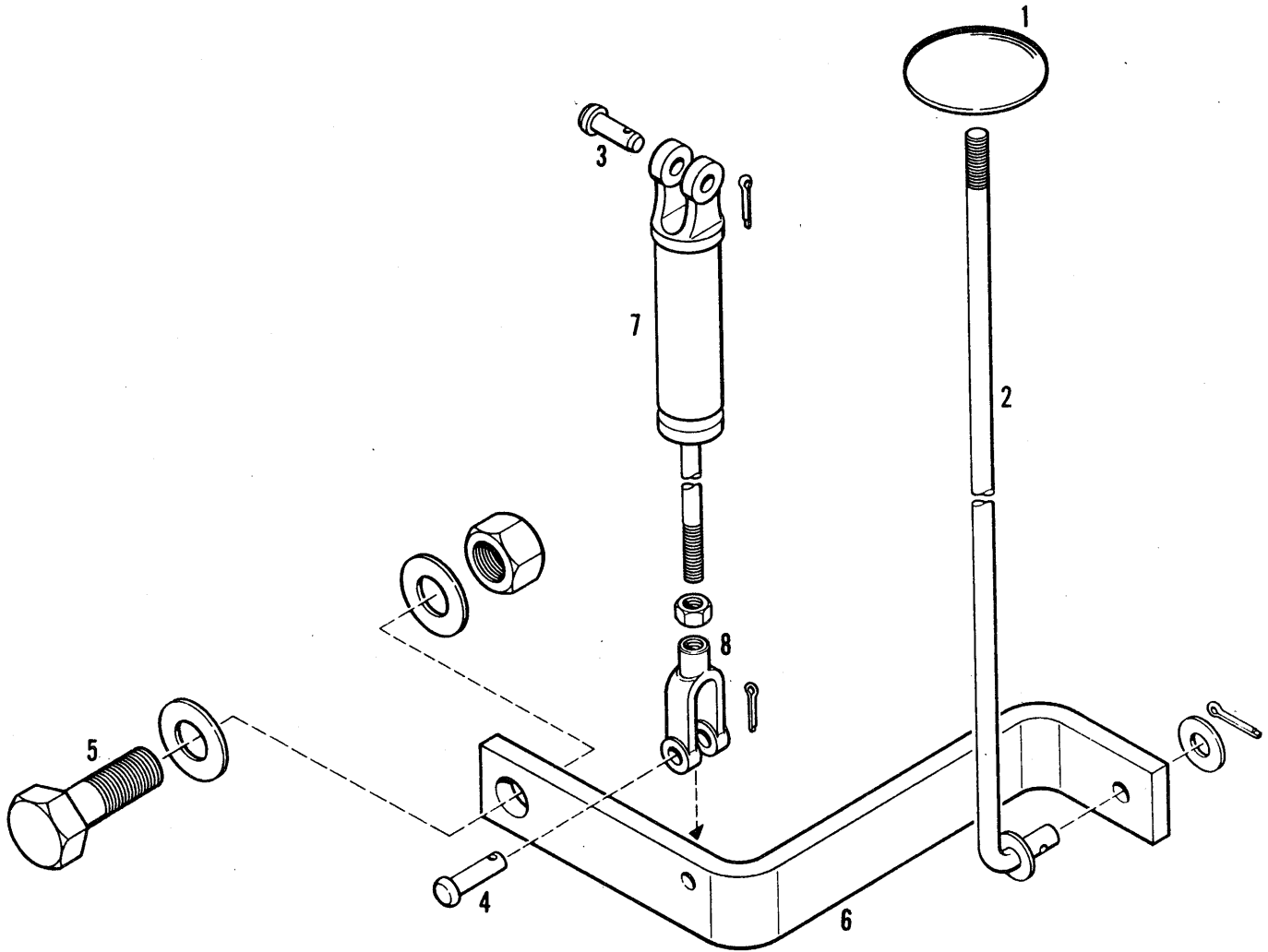
BRAKE ASY.

ITEM	NUMBER	QTY.	DESCRIPTION
1	1008544-7	2	HOUSING, brake, outer
2	1008547-0	1	HOUSING, brake, R.H. inner
3	1008548-8	1	HOUSING, brake, L.H. inner
4	1008554-6	8	DISK ASY., brake
5	1008555-3	4	DISK, intermediate
6	1008556-1	4	DISK, brake actuating
7	1008557-9	4	LINK, brake actuating
8	0917015-0	12	BALL, brake actuating
9	1008558-7	8	SPRING, disk return
10	1008559-5	4	PIN, disk pivot
11	0922471-8	4	NUT, jam, 7/16NF
12	1008518-1	12	STUD
13	1008519-9	4	STUD
14	0929839-9	16	NUT
15	1008560-3	2	PIN, brake control
16	1008561-1	2	ROD, brake control
17	1008521-5	2	PIN, clevis
	0918452-4	2	PIN, cotter, 1/8 x 1
18	1008563-7	2	SEAL ASY., brake rod
19	1012529-2	2	FASTENER, brake rod
20	1012530-0	2	WASHER, brake rod

DIFFERENTIAL LOCK LINKAGE

ITEM	NUMBER	QTY.	DESCRIPTION
1	1008553-8	1	FORK, differential lock
2	1008551-2	1	SCREW, fork lock
	0911048-7	1	NUT, 3/8NF
3	1008550-4	1	SHAFT, differential lock lever
4	1008552-0	1	SEAL, shaft
5	1008545-4	1	LEVER, differential lock operating
6	1008546-2	1	PIN, lever lock

DIFFERENTIAL LOCK



714B & 715B TRACTORS
DRIVE TRAIN

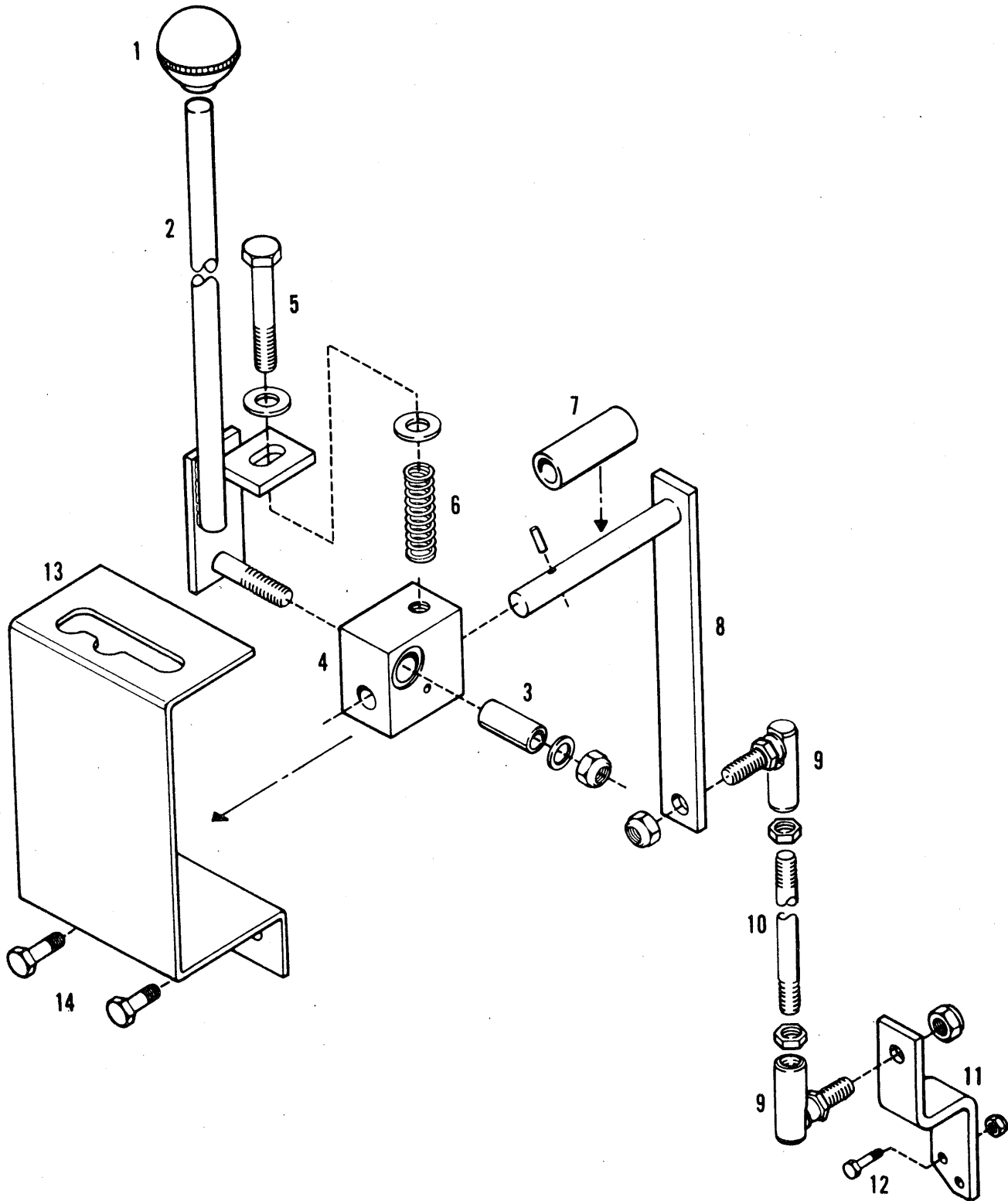
127

DIFFERENTIAL LOCK

ITEM	NUMBER	QTY.	DESCRIPTION
1	1016511-6	1	PEDAL ASY.
2	1016510-8	1	ROD ASY., pedal
	0918448-2	2	PIN, cotter, 3/32 x 1
3	0923093-9	1	PIN
	0920117-9	1	PIN, cotter, 5/32 x 1-1/2
4	1012143-2	1	PIN
	0920438-9	2	NUT, 5/16NF
5	0925872-4	1	CAPSCREW, 3/4NC x 2-1/4
	0918269-2	2	WASHER, 3/4 SAE
	0913160-8	1	NUT, 3/4NC
6	1016878-9	1	BAR
7	1012484-0	1	SPRING ASY.
8	1012485-7	1	YOKE, special

714B & 715B TRACTORS
DRIVE TRAIN

CONTROLS
FORWARD & REVERSE
TRANSMISSION



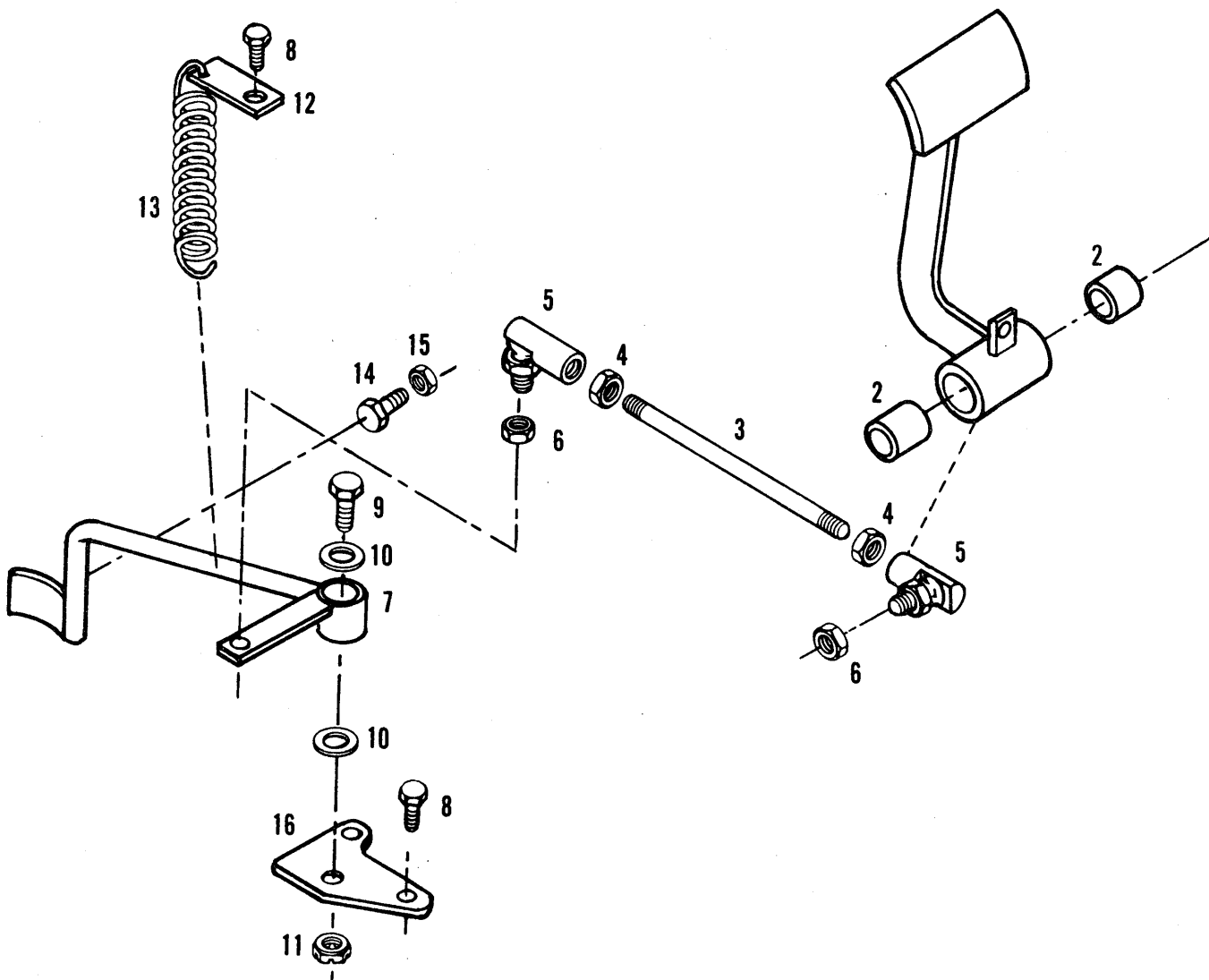
714B & 715B TRACTORS
DRIVE TRAIN

129

CONTROLS
FORWARD & REVERSE
TRANSMISSION

ITEM	NUMBER	QTY.	DESCRIPTION
1	0243416-5	1	KNOB, handle
2	1016824-3	1	LEVER ASY., forward & reverse
	0917379-0	1	WASHER, flat
3	1008980-3	1	BUSHING, 3/8 x 1-1/4
4	1016829-2	1	BLOCK, pivot
5	0921972-6	1	CAPSCREW, 3/8NC x 3
	0918266-8	2	WASHER, flat
	0919439-0	1	NUT, lock, 3/8NC
6	1008964-7	1	SPRING
7	1009265-8	1	BUSHING, 1/2 x 2
8	1016819-3	1	SHAFT ASY., forward & reverse
	0925450-9	1	PIN, spirol, 3/16 x 1-1/4
9	0928219-5	2	JOINT, ball, 3/8NF
	0924332-0	2	NUT, lock, 3/8NF
10	1016820-1	1	ROD, shifter
	0918403-7	2	NUT, jam, 3/8NF
11	1016825-0	1	LEVER, trans. forward & reverse
12	0921960-1	2	CAPSCREW, 1/4NC x 1
	0920397-7	2	NUT, lock, 1/4NC
13	1017321-9	1	COVER ASY.
14	0927187-5	2	CAPSCREW, 3/8NC x 1

CLUTCH PEDAL & LINKAGE



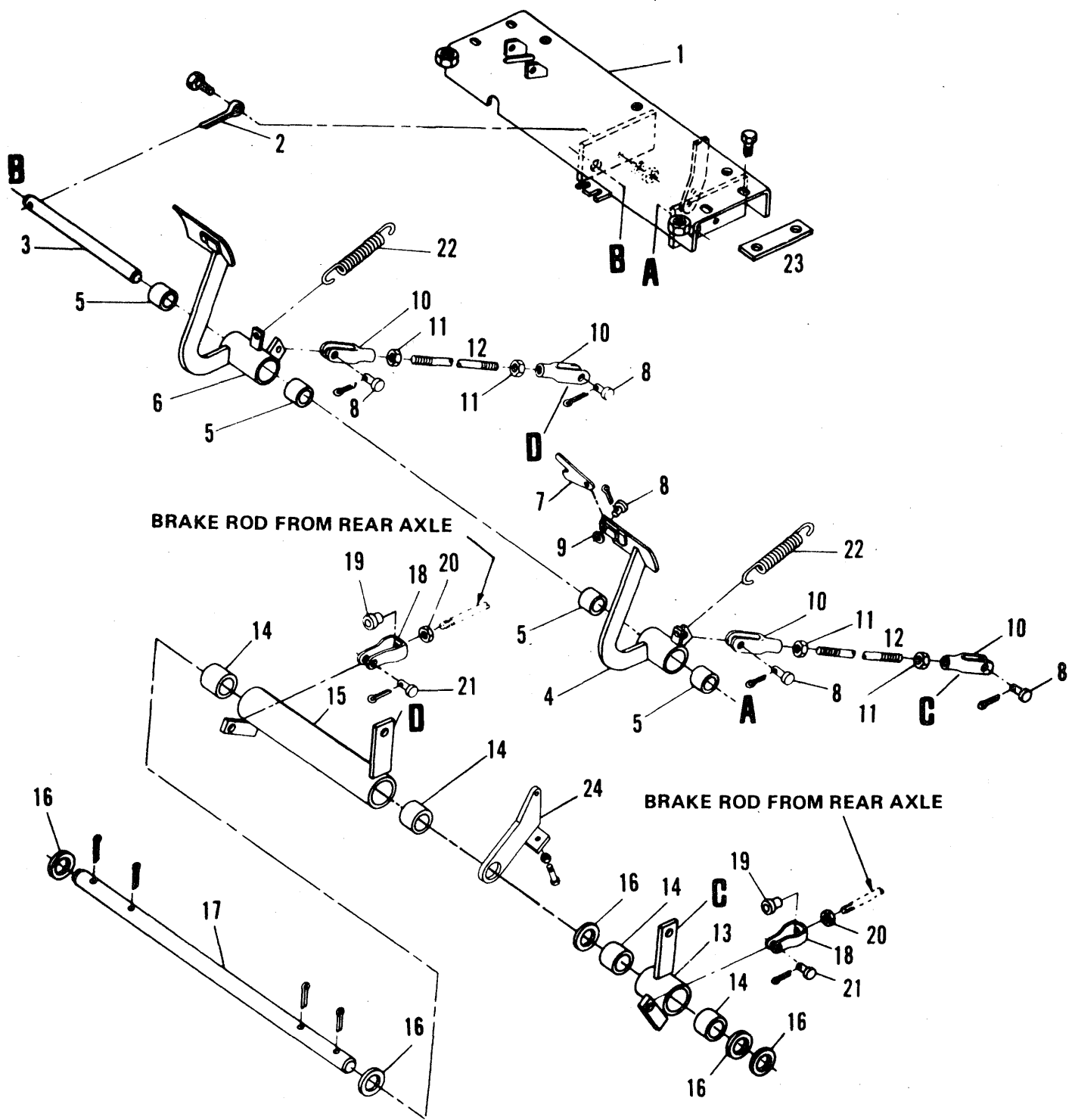
714B & 715B TRACTORS
DRIVE TRAIN

131

CLUTCH PEDAL & LINKAGE

ITEM	NUMBER	QTY.	DESCRIPTION
1	1009025-6	1	PEDAL ASY., clutch (Incl. Item 2)
2	0244975-9	2	BUSHING
3	1016882-1	1	SHAFT, clutch link
4	0918403-7	2	NUT, jam, pltd., 3/8NF
5	0928219-5	2	JOINT, ball
6	0924332-0	2	NUT, 3/8NF, ESNA
7	1018400-0	1	BELLCRANK ASY., clutch control
8	0921967-6	3	CAPSCREW, pltd., 3/8NC x 1-1/8, Gr. 5
9	0923191-1	1	CAPSCREW, pltd., 1/2NC x 3-1/4, Gr. 5
10	0924361-9	2	WASHER, plain, pltd., 1/2
11	0922304-1	1	NUT, lock, pltd., 1/2NC
12	1018399-4	1	PLATE, anchor
13	1008144-6	1	SPRING
14	1018401-8	1	CAPSCREW
15	0920438-9	1	NUT, jam, pltd., 5/16NF
16	1016875-5	1	PLATE, mounting

BRAKE PEDALS & LINKAGE



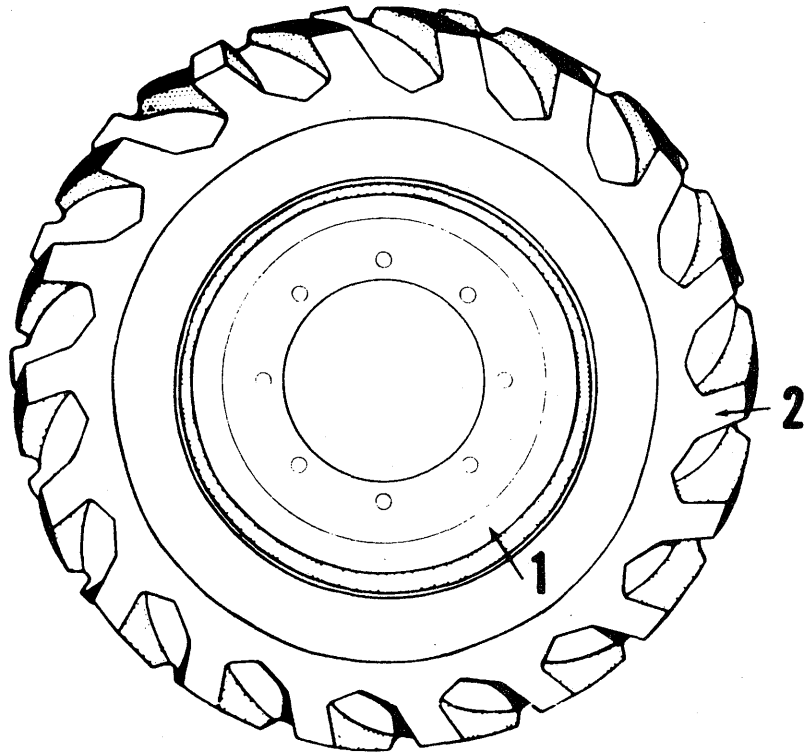
714B & 715B TRACTORS
DRIVE TRAIN

133

BRAKE PEDALS & LINKAGE

ITEM	NUMBER	QTY.	DESCRIPTION
1	1017996-8	1	CHANNEL ASY., brake pedal support
	0923683-7	4	CAPSCREW, 3/8NC x 3/4
2	0929957-9	1	PIN, cotter, 3/8 x 1
	0921969-2	1	CAPSCREW, 3/8NC x 1-1/2
	0916965-7	2	LOCKWASHER, 3/8
	0916950-9	1	NUT, 3/8NC
3	1009028-0	1	SHAFT, brake pedal
4	1017999-2	1	PEDAL ASY., brake, L.H. (Incls. 2 of Item 5)
5	0244975-9	4	BUSHING
6	1017998-4	1	PEDAL ASY., brake, R.H. (Incls. 2 of Item 5)
7	1009027-2	1	LOCK, pedal
8	0923087-1	5	PIN, clevis
	0918448-2	1	PIN, cotter, 3/32 x 1
9	0918266-8	1	WASHER, 3/8 SAE
10	0924121-7	4	YOKE
11	0918403-7	5	NUT, jam, 3/8NF
12	1009031-4	2	ROD
13	1017319-3	1	BELLCRANK ASY., L.H. (Incls. 2 of Item 14)
14	1008797-1	4	BUSHING
15	1009038-9	1	BELLCRANK ASY., R.H. (Incls. 2 of Item 14)
16	0922679-6	5	WASHER, 1-17/32 x 2-1/4 x No. 12
17	1009032-2	1	SHAFT, brake bellcrank
	0922002-1	4	PIN, cotter, 3/16 x 2
18	1009030-6	2	CLEVIS
19	1009029-8	2	NUT
20	0922471-8	2	NUT, jam, 7/16NF
21	0917647-0	2	PIN, yoke
	0918448-2	4	PIN, cotter, 3/32 x 1
22	0227700-2	3	SPRING, pedal return
23	1008951-4	2	BAR
24	1016951-4	1	LEVER ASY., park
	0921024-6	2	CAPSCREW, 1/2NC x 2
	0913744-9	2	NUT, jam, 1/2NC

TIRE & WHEEL, REAR



714B & 715B TRACTORS
AXLE, STEERING & WHEELS

135

TIRE & WHEEL, REAR

ITEM	NUMBER	QTY.	DESCRIPTION
1	1008697-3	2	WHEEL, rear, rim & disk (For 16.9-24, 17.5L-24 & 18.4-24)
2	-----	2	TIRE, tubeless (For 16.9-24, 8 & 10 Ply, R-1) (For 16.9-24, 6 & 8 Ply, R-4) (For 17.5L-24, 10 Ply, R-4) (For 18.4-24, 8 Ply, R-4)
	1010930-4	16	NUT, 3/4NF
	1008679-1	16	WASHER
	1002846-2	1	VALVE ASY.

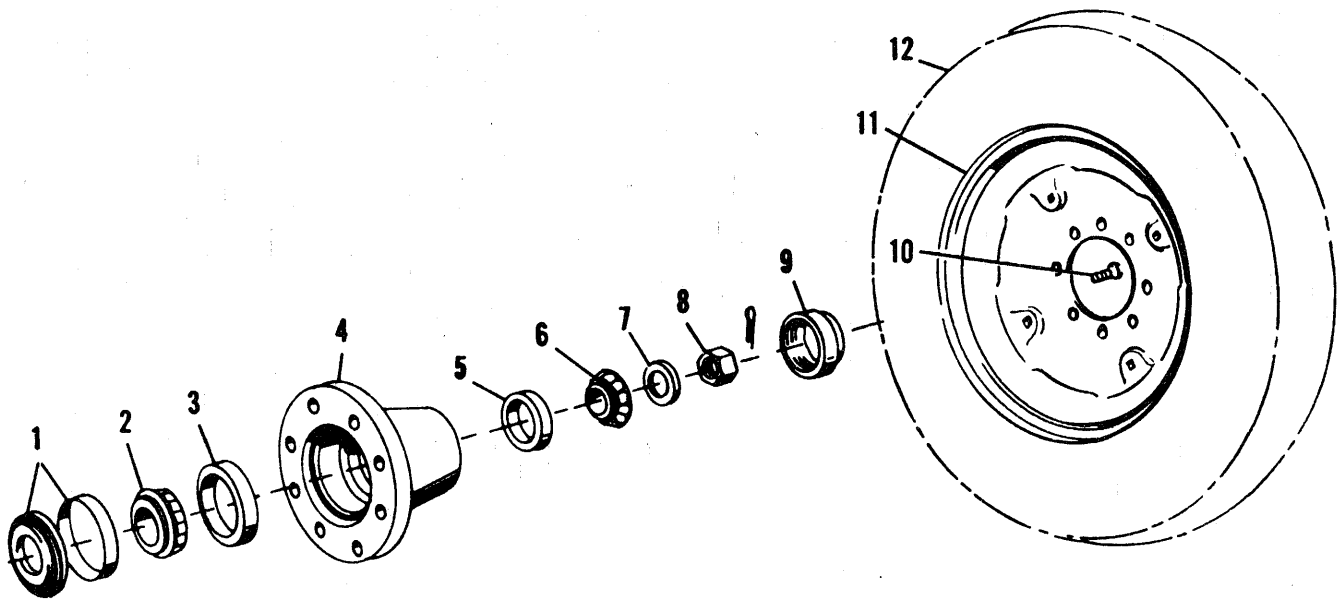
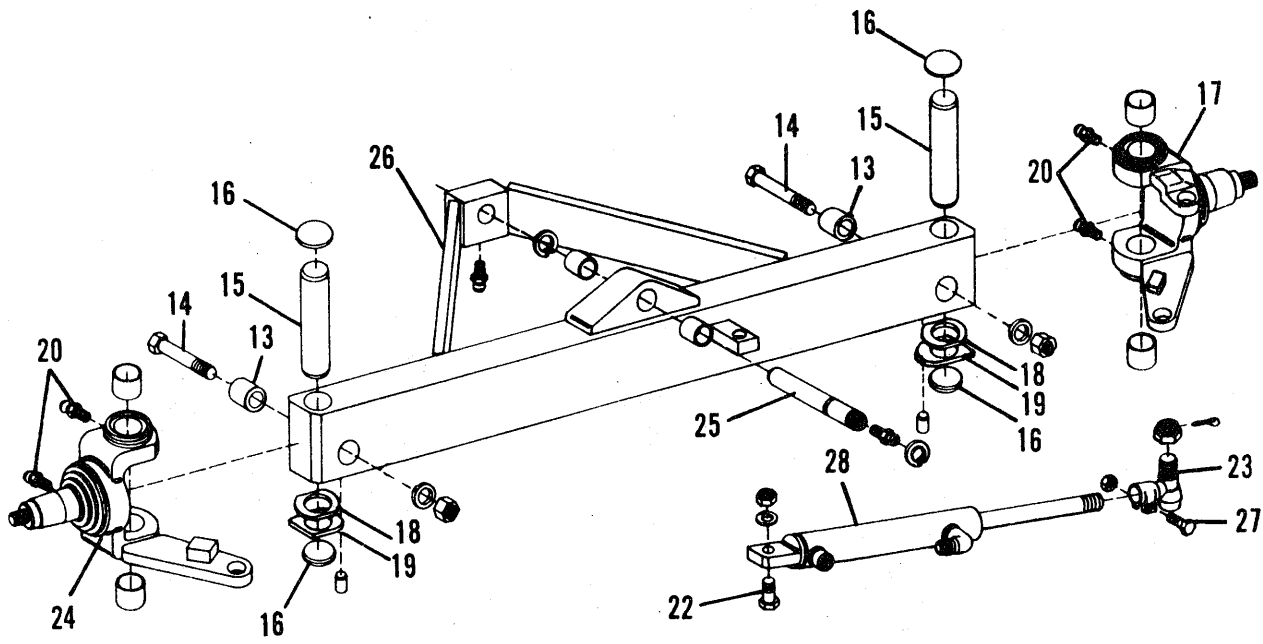
714B & 715B TRACTORS
AXLE, STEERING & WHEELS

137

POWER STEERING

ITEM	NUMBER	QTY.	DESCRIPTION
1	1008350-9	1	CYLINDER ASY., steering (Refer to POWER STEERING CYLINDER for component parts)
2	0922522-8	1	CONNECTOR, 9/16NF (Incl. O-RING)
	0921885-0	1	O-RING
3	1017962-0	2	HOSE ASY., steering cylinder to valve
4	1009768-1	1	SPACER
5	0925621-5	2	CLAMP
6	-----	1	VALVE ASY., steering (Refer to STEERING VALVE & COLUMN ASY. for component parts)
7	0256852-5	1	WHEEL, steering
8	0252471-8	1	NUT, centerlock
9	0694666-9	1	CAP ASY.
10	0922457-7	2	CONNECTOR, reducing, "B" (Incl. O-RING)
	0921349-7	2	O-RING
11	0921409-9	2	CONNECTOR, "A" (Incl. O-RING)
	0921349-7	2	O-RING
12	1012032-7	1	HOSE ASY., steering valve to priority valve
13	0922507-9	1	ELBOW, 45°, adjusting (Incl. O-RING)
	0921349-7	1	O-RING
14	1016923-3	1	HOSE ASY., steering valve to priority valve
15	1017266-6	1	VALVE ASY., priority
16	0919206-3	1	FITTING, tube, JIC
17	0901704-7	1	TEE, pipe, 3/8
18	0916659-6	2	NIPPLE, pipe
19	0901678-3	1	ELBOW, 90°, pipe
20	1017244-3	1	BRACKET, steering valve
	0921969-2	4	CAPSCREW, 3/8NC x 1-1/2
	0927187-5	4	CAPSCREW, 3/8NC x 1
	0916965-7	4	LOCKWASHER, 3/8
	0919439-0	4	NUT, lock, light, 3/8NC

FRONT AXLE & WHEEL ASY. & MOUNTING



714B & 715B TRACTORS
AXLE, STEERING & WHEELS

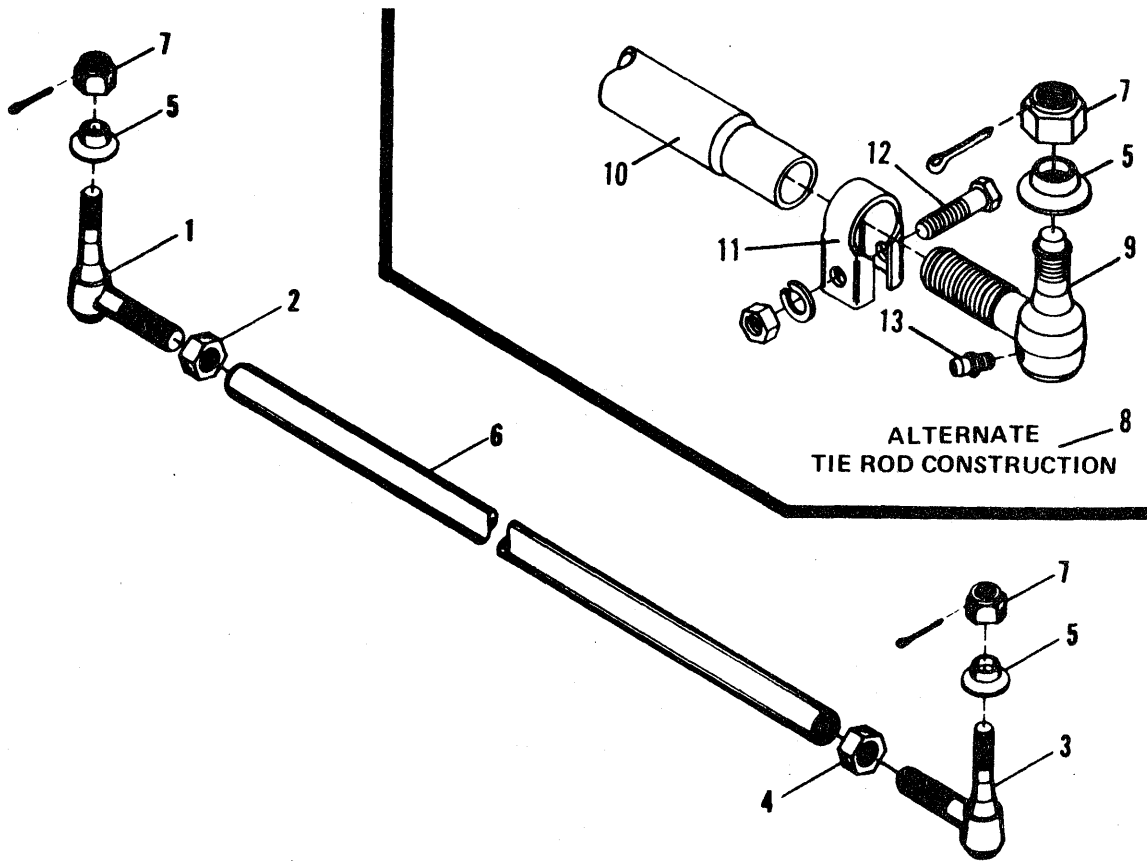
139

FRONT AXLE & WHEEL ASY. & MOUNTING

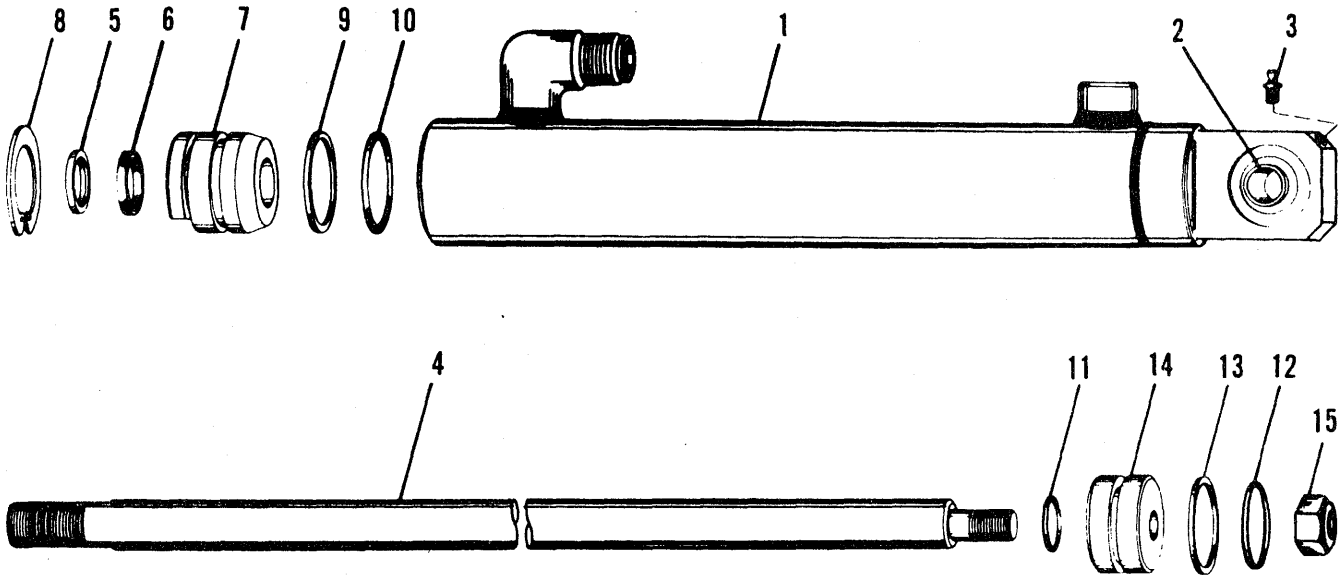
ITEM	NUMBER	QTY.	DESCRIPTION
1	-----	2	WEAR SEAL & SLEEVE KIT (Use SEAL 250857 & SLEEVE 250849)
	0250857-0	1	SEAL
	0250849-7	1	SLEEVE
2	0253011-1	2	CONE, inner bearing
3	4250616-2	2	CUP, inner bearing
4	0250854-7	1	HUB ASY. (Incls. 1 each of Items 3 & 5)
5	0209987-7	2	CUP, outer bearing
6	4255820-5	2	CONE, outer bearing
7	1008013-3	2	WASHER, spindle
8	0912624-4	2	NUT, 1-1/8NF
	0922002-1	1	PIN, cotter, 3/16 x 2
9	0250848-9	2	CAP, hub
10	0251693-8	16	BOLT, hub
11	0242534-6	2	RIM & DISK ASY.
12	-----	1	TIRE (11L-16 - 10 ply) (Obtain locally) (Use 16.9-24, 6 Ply, R4 for 714 LOADER only)
13	1006175-2	2	RETAINER
14	0924742-0	2	CAPSCREW, 3/4NC x 4-1/2
	0919332-7	1	LOCKWASHER, 3/4
	0913160-8	1	NUT, 3/4NC
15	1019039-5	2	PIN, king
16	1006174-5	4	PLUG, expansion
17	1013432-8	1	KNUCKLE ASY., R.H. (Incls. BUSHINGS)
	1006353-5	1	BUSHING
	1001115-3	1	BUSHING
	0922887-5	2	FITTING, lube
18	1006176-0	2	WASHER, thrust
19	1006177-8	2	WASHER, thrust
20	0922887-5	4	FITTING, lube
21	1013290-0	1	ROD ASY., tie (Refer to TIE ROD ASY. for component parts) (Not shown)
22	0251744-9	1	CAPSCREW
	0244237-4	1	WASHER
	0922002-1	1	PIN, cotter, 3/16 x 2
	0918787-3	1	NUT, 3/4NF
23	1013425-2	1	CYLINDER END ASY. (Incls. DUST SEAL & NUT)
	1003580-6	1	SEAL, dust
	0925719-7	1	PIN, cotter, 1/8 x 2
	0917362-6	1	NUT, 5/8NF
24	1008314-5	1	KNUCKLE ASY., L.H. (Incls. BUSHINGS)
	1006353-5	1	BUSHING
	1001115-3	1	BUSHING
	0922887-5	2	FITTING, lube
	-----	1	WIRE (1")
25	1008313-7	1	PIN, axle mount
	0922679-6	2	WASHER, 1-17/32 x 2-1/4 x No. 12
	0928179-1	2	RING, retainer
26	1008309-5	1	AXLE ASY. (Incls. BUSHINGS, PINS & Item 20)
	2018402-4	2	BUSHING
	0930917-0	2	PIN, dowel
	9002032-2	2	FITTING, grease, 1/8 str. (Pkg. of 10)
27	0921971-8	1	CAPSCREW, 3/8NC x 1-3/4
	0919442-4	1	NUT, 3/8NC
28	-----	1	STEERING CYLINDER ASY., power (Refer to POWER STEERING CYLINDER for components)

714B & 715B TRACTORS
AXLE, STEERING & WHEELS

TIE ROD ASY.



POWER STEERING CYLINDER



714B & 715B TRACTORS
AXLE, STEERING & WHEELS

141

TIE ROD ASY.

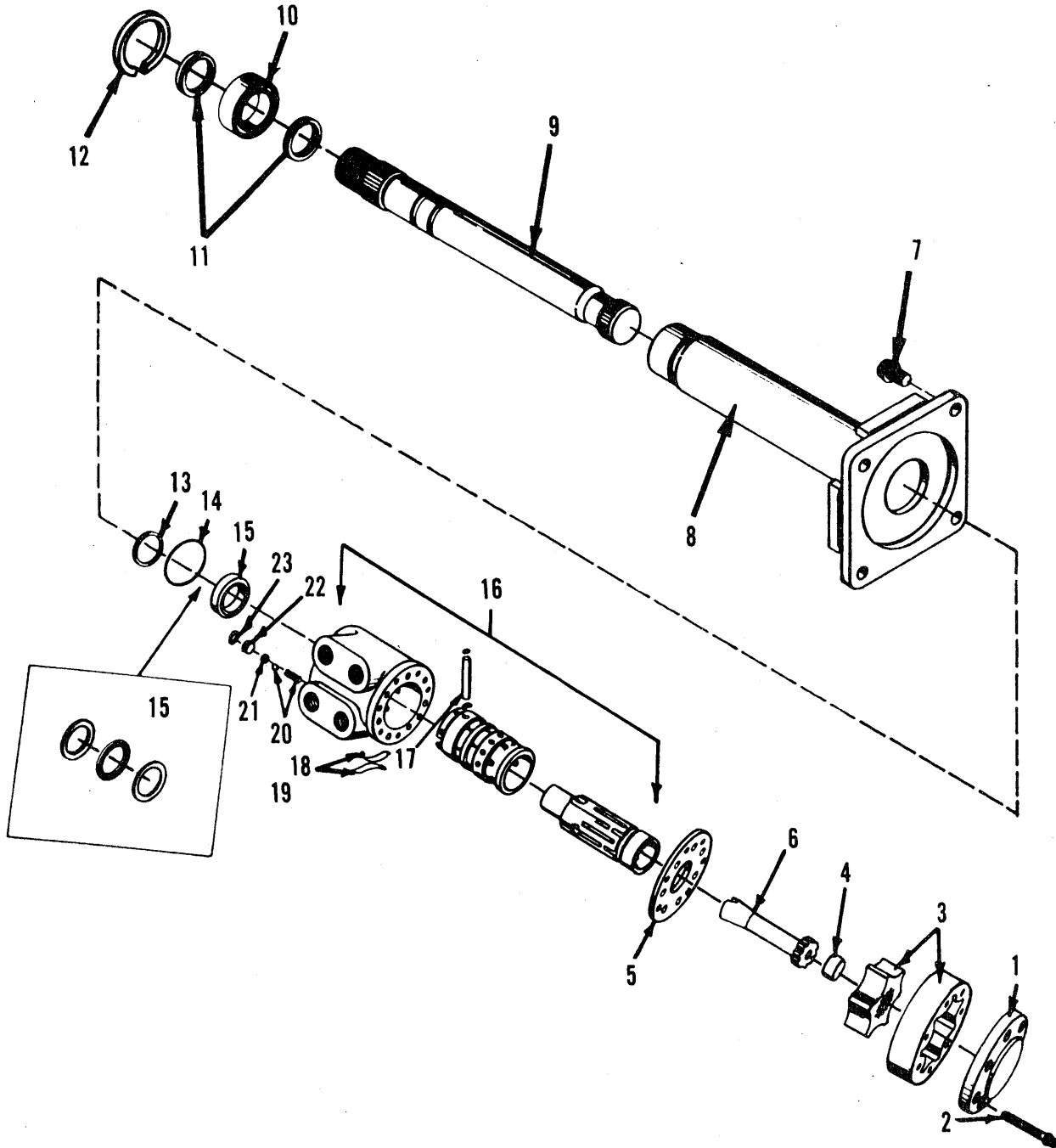
ITEM	NUMBER	QTY.	DESCRIPTION
—	1013290-0	1	ROD ASY., tie
1	1007069-6	1	ROD END, tie (L.H. thread) (Incls. 1 of Item 5)
2	1007071-2	1	LOCKNUT, L.H. thread
3	1007070-4	1	ROD END, tie (R.H. thread)
4	1003604-4	1	LOCKNUT, R.H. thread
5	1003580-6	2	SEAL, tie rod end
6	-----	1	ROD (Not serviced)
7	0921295-2	2	NUT, 7/8NF
	0925719-7	1	PIN, cotter, 1/8 x 2
8	1013290-0	1	ROD ASY., tie
9	1013291-8	1	ROD END, tie, L.H. (Incls. 1 of Items 5 & 13)
	1013292-6	1	ROD END, tie, R.H. (Incls. 1 of Items 5 & 13)
10	1013293-4	1	ROD
11	1013294-2	2	CLAMP
12	0920356-3	2	CAPSCREW, 5/8NF x 2-3/4
	0923111-9	2	CAPSCREW, 5/8NC x 3 (Optional)
	0917373-3	1	LOCKWASHER, 5/8
	0918241-1	1	NUT, 5/8NF
13	9002032-2	2	FITTING, grease, 1/8 str. (Pkg. of 10)

POWER STEERING CYLINDER

ITEM	NUMBER	QTY.	DESCRIPTION
—	1008350-9	1	STEERING CYLINDER ASY. (Incls. Items 1 thru 15)
1	1008360-8	1	TUBE ASY. (Incls. Items 2 & 3)
2	0244019-6	1	BUSHING
3	9002032-2	1	FITTING, grease, 1/8 str. (Pkg. of 10)
4	1008361-6	1	ROD ASY. (Incls. Item 15)
5	0542629-1	1	WIPER
6	1001076-7	1	T-SEAL
7	1008356-6	1	HEAD
8	0927704-7	1	RING, retainer
9	0926623-0	1	WASHER, backup
10	0926535-6	1	O-RING
11	0923575-5	1	O-RING
12	0923684-5	1	O-RING
13	0931894-0	1	SEAL, piston
14	1008357-4	1	PISTON
15	1010930-4	1	NUT, 3/4NF
—	1008359-0	1	REPAIR KIT, major seal (Incls. Items 5, 6, & 9 thru 13)

714B & 715B TRACTORS
AXLE, STEERING & WHEELS

STEERING VALVE & COLUMN ASY.



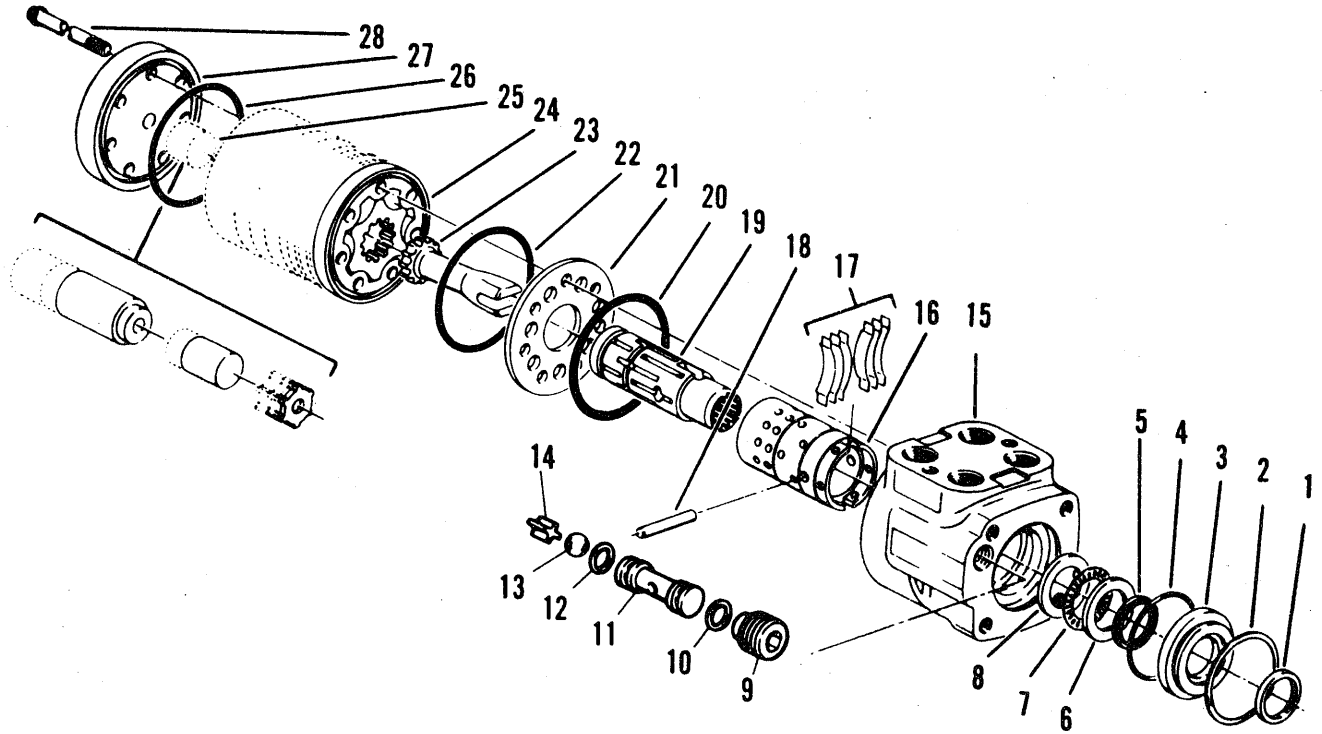
714B & 715B TRACTORS
 AXLE, STEERING & WHEELS

STEERING VALVE & COLUMN ASY.

ITEM	NUMBER	QTY.	DESCRIPTION
-	1014635-5	1	STEERING VALVE ASY. (Use VALVE 1019008)
1	1132773-1	1	CAP, end
2	1009961-2	7	CAPSCREW
3	0258710-3	1	GEAR SET
4	3041666-3	1	SPACER
5	1132771-5	1	PLATE
6	1132770-7	1	DRIVE
7	0923334-7	4	CAPSCREW, 5/16NC x 5/8
8	1019009-8	1	COLUMN, steering (New Column Serviced Only as Asy.)
9	1009964-6	1	SHAFT, column
10	4994913-4	1	BEARING
11	1134841-4	2	RING, retaining
12	1009965-3	1	RING, retaining
13	1016943-1	1	SEAL
14	0923571-4	1	O-RING
15	0257362-4	1	BEARING
16	1009967-9	1	CONTROL PARTS ASY. (Incls. Items 17 thru 23)
17	0239176-1	1	PIN
18	0239197-7	6	SPRING
19	0239188-6	1	SPRING
20	1009968-7	1	BALL
21	0239189-4	1	SEAT, check valve
22	0239195-1	1	PLUG, seal
23	0931404-8	1	O-RING

714B & 715B TRACTORS
AXLE, STEERING & WHEELS

CONTROL VALVE
POWER STEERING



714B & 715B TRACTORS
 AXLE, STEERING & WHEELS

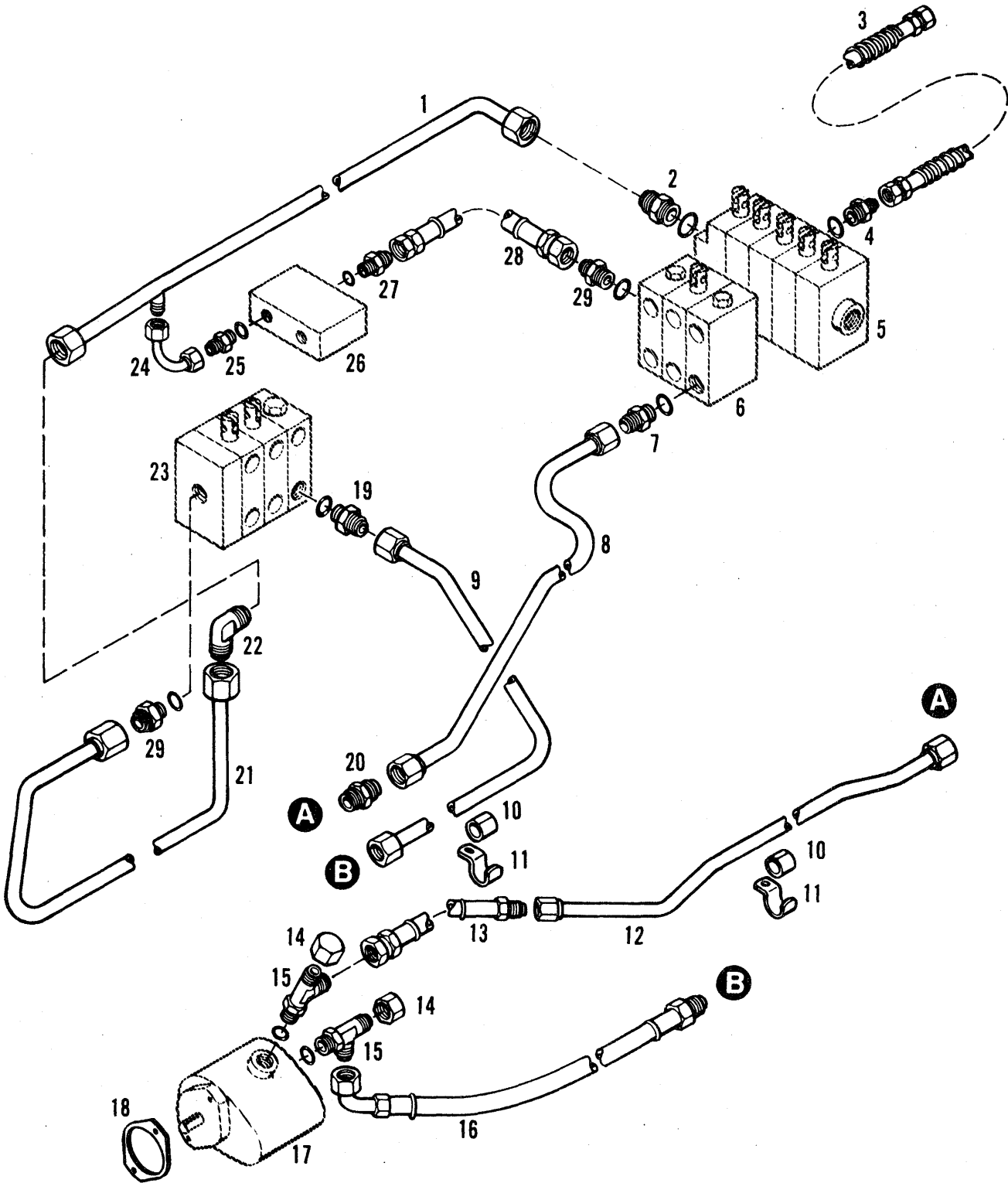
145

CONTROL VALVE
 POWER STEERING

ITEM	NUMBER	QTY.	DESCRIPTION
—	1019008-0	1	VALVE ASY., control (Incl. Items 1 thru 28)
1	-----	1	SEAL, oil (Order SEAL KIT 271329)
2	0258715-2	1	RING, snap
3	0258716-0	1	BUSHING, seal gland
4	-----	1	SEAL (Order SEAL KIT 271329)
5	-----	1	SEAL, quad ring (Order SEAL KIT 271329)
6	-----	1	RACE, thrust (Order BEARING KIT 271588)
7	-----	1	BEARING, needle thrust (Order BEARING KIT 271588)
8	-----	1	RACE, thrust (Order BEARING KIT 271588)
9	0271325-3	1	SCREW, set
10	-----	1	SEAL, o-ring (Order SEAL KIT 271329)
11	0271323-8	1	SEAT, check ball
12	-----	1	SEAL, o-ring (Order SEAL KIT 271329)
13	0915904-7	1	BALL, check
14	0271322-0	1	RETAINER, check ball
15	-----	1	BODY, valve (Not serviced; order 1019151)
16	-----	1	SLEEVE (Not serviced; order 1019151)
17	0239197-7	6	SPRING, centering
18	0239176-1	1	PIN, centering
19	-----	1	SPOOL (Not serviced; order 1019151)
20	-----	1	SEAL, o-ring (Order SEAL KIT 271329)
21	1019152-6	1	PLATE, spacer
22	-----	1	SEAL, o-ring (Order SEAL KIT 271329)
23	1132770-7	1	DRIVE
24	1019153-4	1	GEROTORSET
25	1019154-2	1	SPACER
26	-----	1	SEAL, o-ring (Order SEAL KIT 271329)
27	0271319-6	1	CAP, end
28	1009961-2	7	SCREW
—	0271329-5	1	SEAL KIT (Incl. Items 1, 4, 5, 10, 12, 20, 22 & 26)
—	0271588-6	1	BEARING KIT (Incl. Items 6, 7 & 8)

714B & 715B TRACTORS
HYDRAULIC SYSTEM

PRESSURE LINES



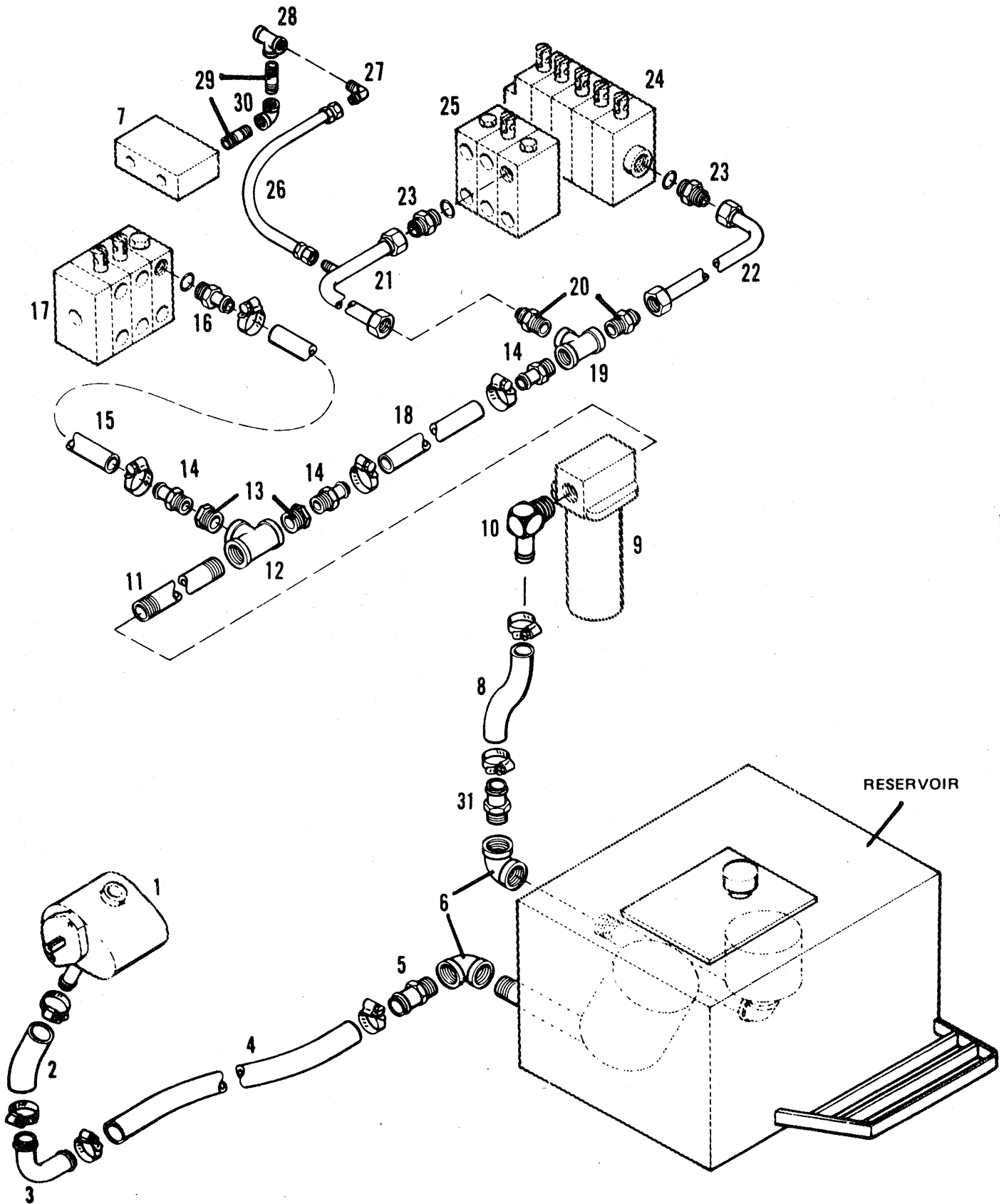
714B & 715B TRACTORS
HYDRAULIC SYSTEM

147

PRESSURE LINES

ITEM	NUMBER	QTY.	DESCRIPTION
1	1016913-4	1	TUBE ASY., backhoe valve supply
2	0921228-3	1	CONNECTOR (Incl. O-RING)
	0921214-3	1	O-RING
3	1008168-5	6	HOSE ASY., valve to swing frame
4	0924023-5	6	CONNECTOR (Incl. O-RING)
	0921206-9	6	O-RING
5	1017307-8	1	VALVE ASY., backhoe (Refer to BACKHOE CONTROL VALVE ASY. for component parts)
6	1018622-9	1	VALVE ASY., swing (Refer to SWING VALVE ASY. for component parts)
7	0923174-7	1	CONNECTOR (Incl. O-RING)
	0921206-9	1	O-RING
8	1016915-9	1	TUBE ASY., supply to swing valve, rear
9	1016914-2	1	TUBE ASY., supply to loader valve
10	0234976-9	2	CUSHION
11	0234993-4	2	CLAMP
12	1016917-5	1	TUBE ASY., supply to swing valve, front
13	1016874-8	1	HOSE ASY., swing pump tee to tube
14	0922195-3	2	CAP
15	0922739-8	2	TEE (Incl. O-RING)
	0921214-3	2	O-RING
16	1015784-0	1	HOSE ASY., implement
17	1008940-7	1	PUMP, power steering (Refer to POWER STEERING PUMP ASY. for component parts)
	1019664-0	1	BAR
	1019663-2	1	BRACKET ASY.
	0916272-8	1	CAPSCREW, 3/8NC x 1-1/4
	0935084-4	1	CAPSCREW, 3/8NF x 9, Gr. 5
	0919439-0	1	NUT, self-locking, 3/8NC
18	4026549-8	1	GASKET, pump
19	0923174-7	1	CONNECTOR (Incl. O-RING)
	1018621-1	1	PLUG (Used with 714 3-point hitch)
	0921206-9	1	O-RING
20	0919268-3	1	UNION
21	1016930-8	1	TUBE ASY., loader valve pressure beyond line
22	0921991-6	1	UNION, 1-5/16NC
23	1018623-7	1	VALVE ASY., loader (Refer to CONTROL VALVE LOADER for component parts)
24	1016932-4	1	TUBE ASY., priority excess flow port
25	0921326-5	1	CONNECTOR (Incl. O-RING)
	0921205-1	1	O-RING
26	1017266-6	1	VALVE, priority
27	0922981-6	1	FITTING, 3/4NC (Incl. O-RING)
	0921349-7	1	O-RING
28	1016922-5	1	HOSE ASY.
29	0922981-6	2	CONNECTOR (Incl. O-RING) (This serviced in Control Valve Asy. 1015355 Adapter)
	0921205-1	2	O-RING

SUCTION & RETURN LINES



714B & 715B TRACTORS
HYDRAULIC SYSTEM

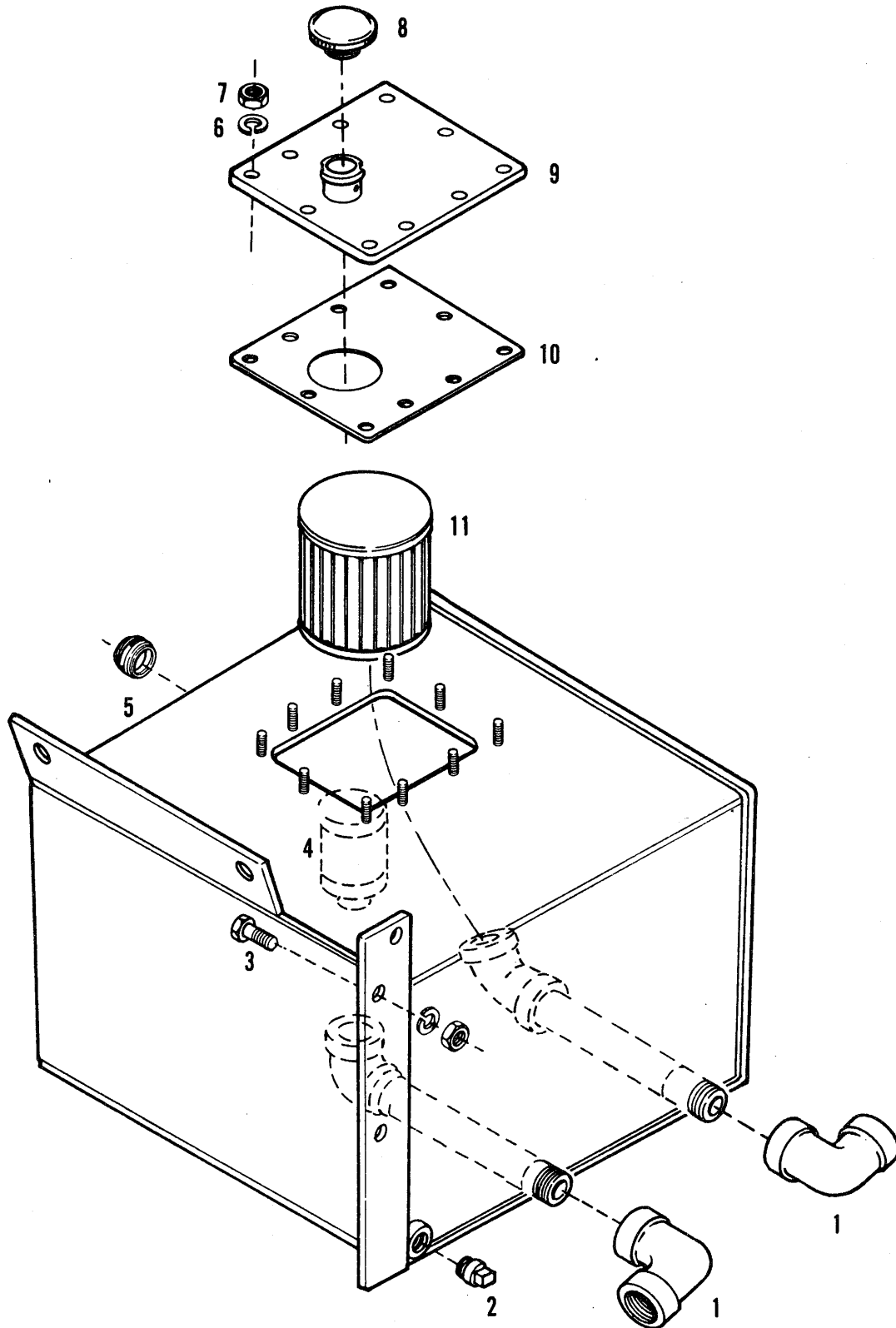
149

SUCTION & RETURN LINES

ITEM	NUMBER	QTY.	DESCRIPTION
1	1008940-7	1	PUMP ASY., hydraulic, dual (Refer to IMPLEMENT PUMP ASY. for component parts)
	0929865-4	2	CAPSCREW
	0916965-7	2	LOCKWASHER, 3/8
2	1009326-8	1	HOSE, steering pump, suction
	0925881-5	2	CLAMP
3	1009371-4	1	TUBE, suction
4	1016901-9	1	HOSE, suction
	0925881-5	2	CLAMP
5	0925057-2	1	NIPPLE, hose, st., male pipe
6	0901682-5	2	ELBOW, 90°
7	1017266-6	1	VALVE ASY., priority
8	1016900-1	1	HOSE (to filter)
	0925881-5	2	CLAMP
9	1016842-5	1	FILTER ASY. (Incls. ELEMENT & SEAL)
	1018030-5	1	ELEMENT, filter
	1018031-3	1	SEAL, mounting
	0901653-6	1	PLUG
	0925696-7	4	CAPSCREW
	0912298-7	4	WASHER
	1018443-0	2	ADAPTER KIT, port
	0922996-4	4	CAPSCREW
	1018444-8	1	SEAL
10	1018875-3	1	FITTING, pipe, 90° st.
11	1016884-7	1	PIPE, 1-1/4NPT x 17" long
12	0901708-8	1	TEE, 1-1/4NPT
13	0901830-0	1	FITTING, reducer bushing
14	0925056-4	3	NIPPLE, hose, 1"
15	1016898-7	1	HOSE, loader valve to tee
	0921912-2	2	CLAMP
16	0928509-9	1	FITTING, hose, st. (Incl. O-RING)
	0921206-9	1	O-RING
17	1018623-7	1	VALVE ASY., loader (Refer to LOADER CONTROL VALVE for component parts)
18	1016899-5	1	HOSE, tee to tee
19	0901707-0	1	TEE, 1"NPT
20	0919064-6	2	FITTING, tube connector, JIC
21	1016910-0	1	TUBE ASY., swing valve to tee
	1018036-2	1	TUBE ASY., swing valve to tee (auxiliary backhoe hydraulics)
22	1009047-0	1	TUBE ASY., tee to backhoe
23	0921228-3	2	FITTING, tube connector, st. (Incl. O-RING)
	0921214-3	2	O-RING
24	1017307-8	1	VALVE ASY., backhoe (Refer to BACKHOE CONTROL VALVE for component parts)
25	1018622-9	1	VALVE ASY., swing (Refer to SWING VALVE ASY. for component parts)
26	1016921-7	1	HOSE ASY., steering return to valve
27	0919206-3	1	FITTING, tube elbow, 90°, male
28	0901704-7	1	TEE, 3/8NPT
29	0916659-6	2	NIPPLE, pipe, 3/8 x 2
30	0901678-3	1	ELBOW, 90°, 3/8
31	0926868-1	1	NIPPLE, hose, st., male pipe

714B & 715B TRACTORS
HYDRAULIC SYSTEM

RESERVOIR



714B & 715B TRACTORS
HYDRAULIC SYSTEM

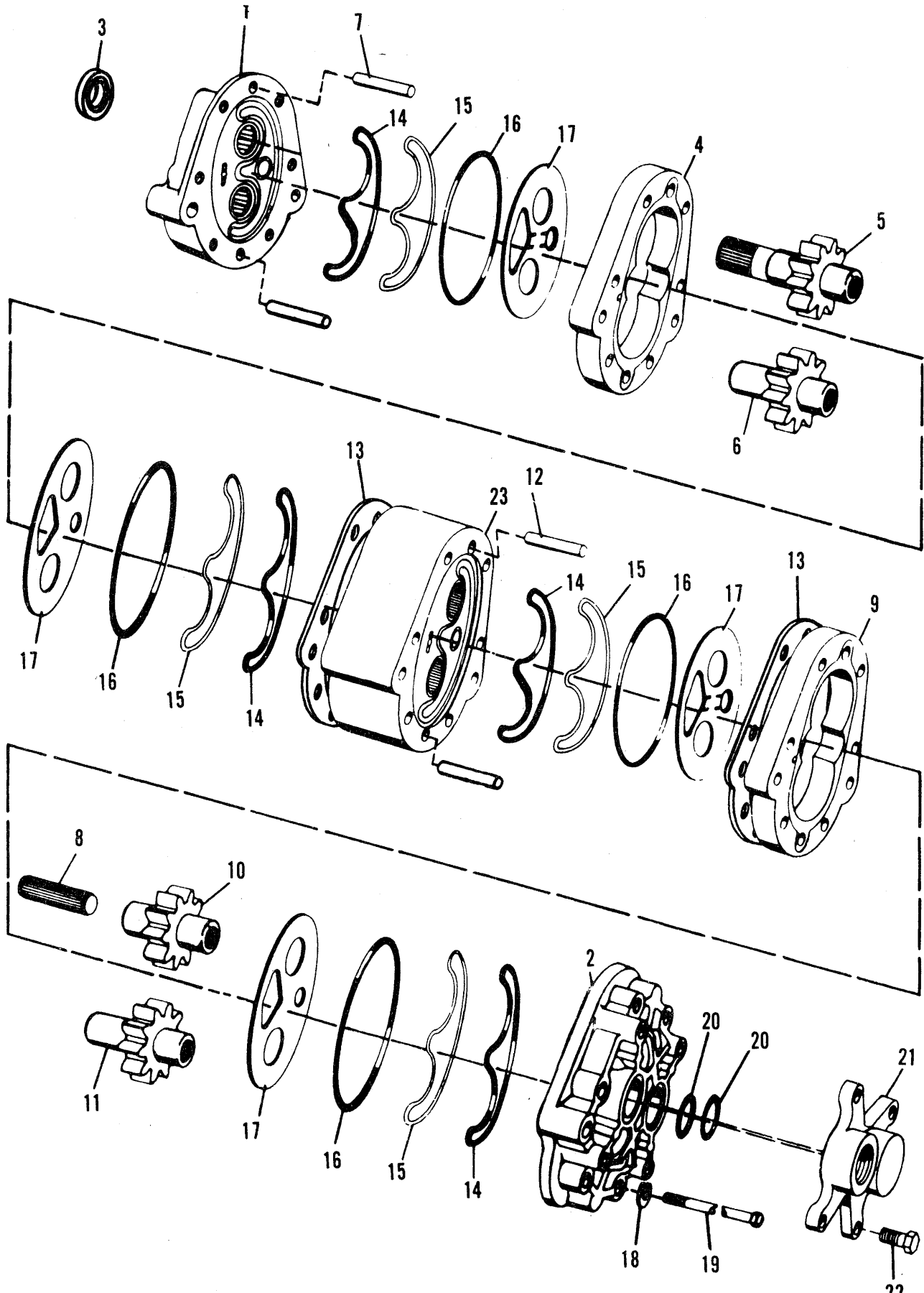
151

RESERVOIR

ITEM	NUMBER	QTY.	DESCRIPTION
1	0901682-5	2	ELBOW, 90 ⁰ (Refer to PRESSURE LINES for connection)
2	0905261-4	1	PLUG, drain
3	0920328-2	5	CAPSCREW, 1/2NC x 1-1/2
	0916966-5	5	LOCKWASHER, 1/2
	0916951-7	5	NUT, 1/2NC
4	1009147-8	1	DIFFUSER
5	1017275-7	1	RESERVOIR ASY.
	1007501-8	1	GAUGE, sight
	0923646-4	1	O-RING
6	0917378-2	10	WASHER, 3/8
7	0927537-1	10	NUT, lock, 3/8NC
8	0254891-5	1	CAP, pressure (7 pound)
9	1016830-0	1	COVER ASY.
10	1009098-3	1	GASKET, cover
11	1009146-0	1	STRAINER

714B & 715B TRACTORS
HYDRAULIC SYSTEM

IMPLEMENT PUMP ASY.



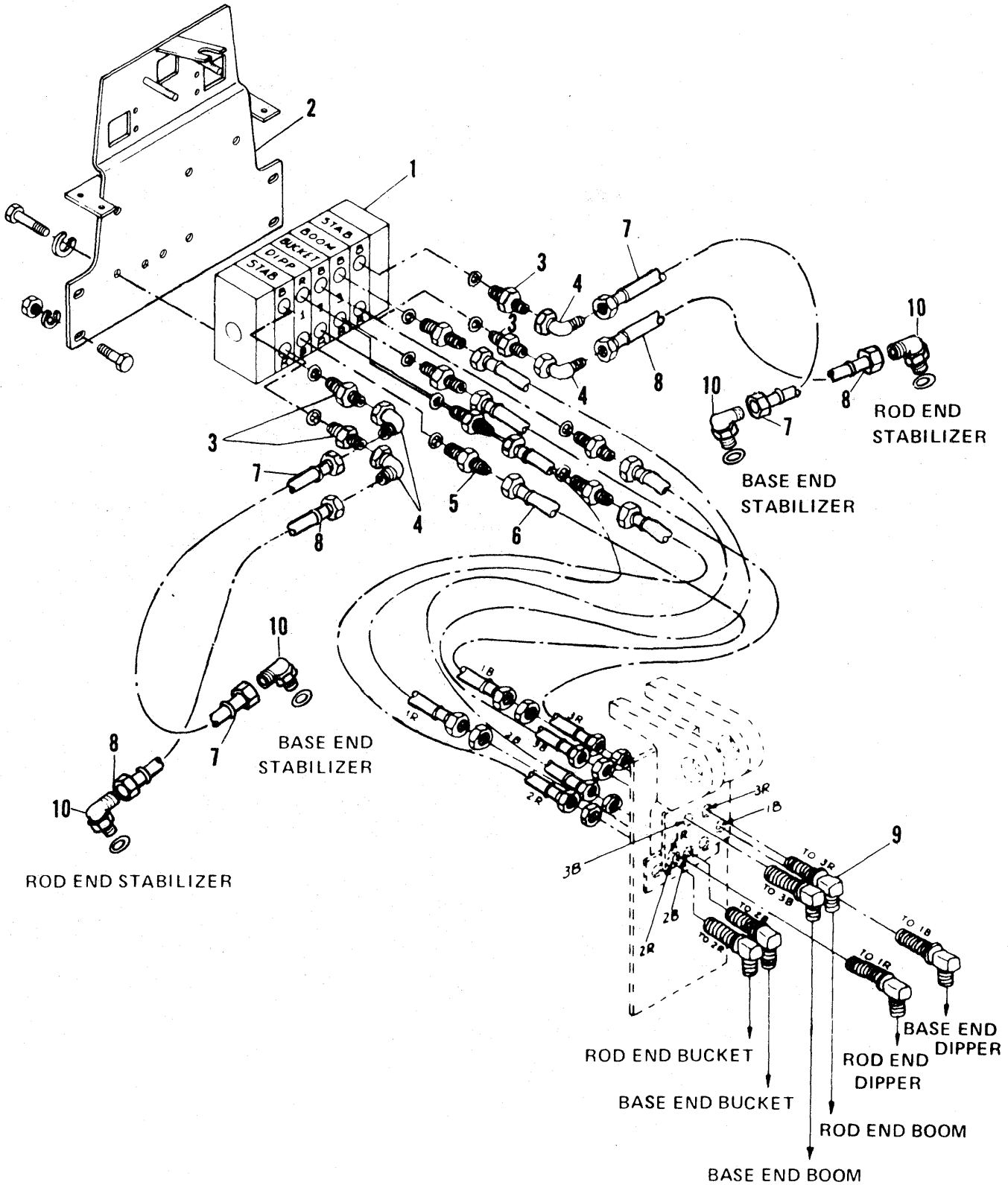
714B & 715B TRACTORS
HYDRAULIC SYSTEM

IMPLEMENT PUMP ASY.

ITEM	NUMBER	QTY.	DESCRIPTION
1	1016362-4	1	BODY ASY. (Incl. RING & Item 3)
	0930733-1	1	RING, retaining
2	1009411-8	1	COVER ASY.
3	0241139-5	1	SEAL
4	1009415-9	1	PLATE, gear
5	1009416-7	1	SHAFT, drive
6	1009417-5	1	GEAR, idler
7	0243606-1	2	PIN
8	1009419-1	1	COUPLING
9	1009420-9	1	PLATE, gear
10	1009421-7	1	GEAR, drive
11	1009422-5	1	GEAR, idler
12	1009423-3	2	PIN
13	1009424-1	2	PLATE, retaining
14	-----	4	SEAL, pre-load (Use SEAL KIT 255947)
15	-----	4	SEAL, load (Use SEAL KIT 255947)
16	-----	4	RING, seal (Use SEAL KIT 255947)
17	0258627-9	4	PLATE, wear
18	0271018-4	6	WASHER
19	1018046-1	6	CAPSCREW
20	0923567-2	2	O-RING
21	1009430-8	1	MANIFOLD
22	0921333-1	4	SCREW, 5/16NC x1
23	1009413-4	1	BEARING PLATE ASY.
-	1012949-2	1	SEAL KIT, major (Incl. Items 14 thru 17, & 20)
-	0255947-4	1	SEAL KIT (Incl. Items 14, 15 & 16)

714B & 715B TRACTORS
HYDRAULIC SYSTEM

BACKHOE VALVE & LINES



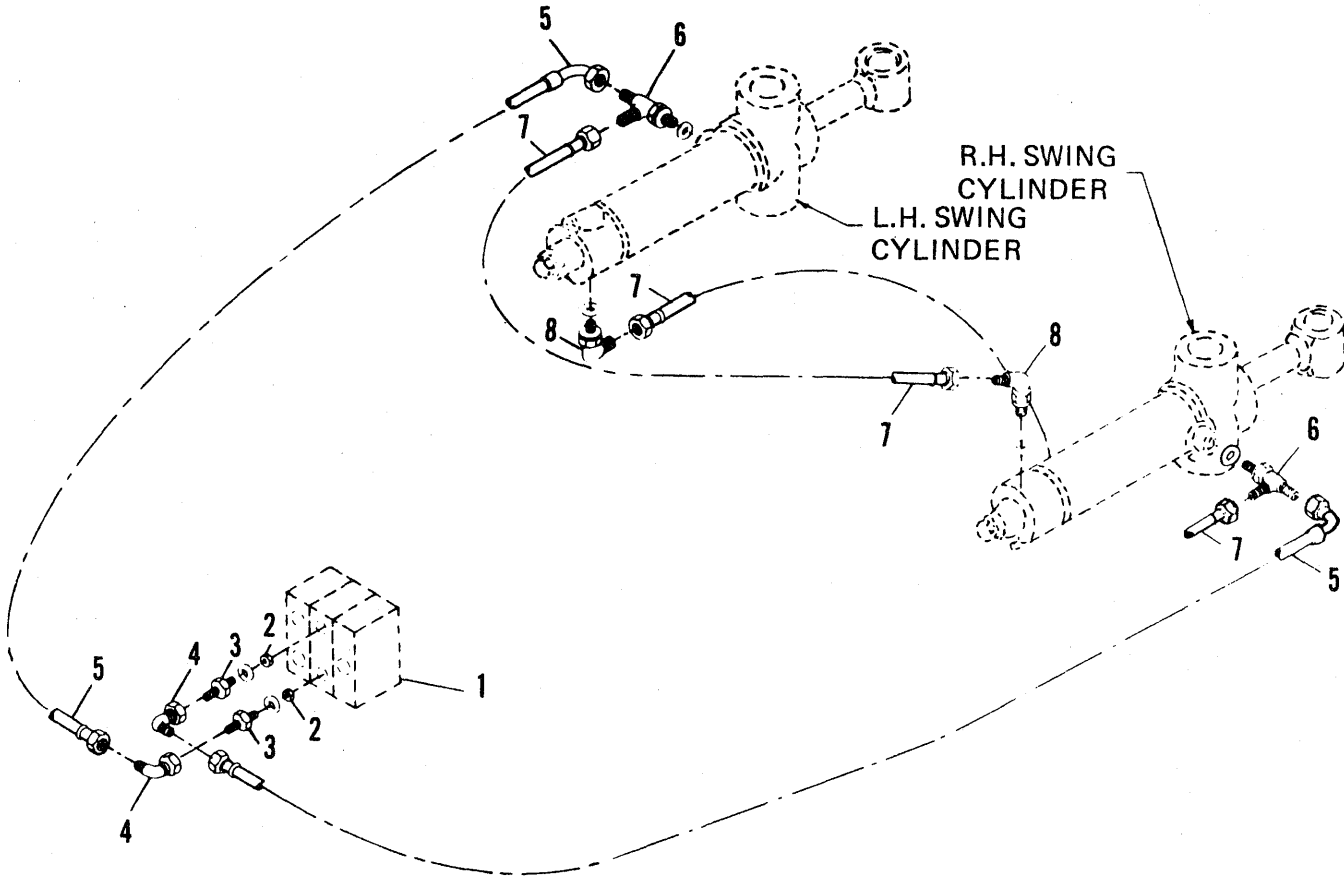
714B & 715B TRACTORS
HYDRAULIC SYSTEM

BACKHOE VALVE & LINES

ITEM	NUMBER	QTY.	DESCRIPTION
1	----	1	VALVE ASY., backhoe (Refer to BACKHOE COTROL VALVE ASY. for component parts)
	0922645-7	3	CAPSCREW, 1/2NC x 2-1/4
	0922304-1	3	LOCKNUT
2	1017265-8	1	PLATE ASY., mounting
	0921176-4	4	CAPSCREW, 1/2NC x 1-1/4
	0916966-5	4	LOCKWASHER, 1/2
	0917379-0	4	WASHER, 1/2 SAE
	0916951-7	4	NUT, 1/2NC
3	0924296-7	4	CONNECTOR (Incl. O-RINGS)
	0921206-9	4	O-RING
4	0921279-6	4	ELBOW, swivel nut
5	0924023-5	6	CONNECTOR (Incl. O-RINGS)
	0921206-9	6	O-RING
6	1008168-5	6	HOSE ASY., valve to swing frame
7	1008143-8	2	HOSE ASY., valve to stab. cylinder
8	1017340-9	2	HOSE ASY. (rod end)
9	1002675-5	6	ELBOW, bulkhead (Incls. NUT)
	0919620-5	6	NUT, 5/8 SAE
10	0921402-4	4	CONNECTOR, 90° (Incl. O-RING)
	0921349-7	4	O-RING

714B & 715B TRACTORS
HYDRAULIC SYSTEM

SWING VALVE & LINES



714B & 715B TRACTORS
HYDRAULIC SYSTEM

157

SWING VALVE & LINES

ITEM	NUMBER	QTY.	DESCRIPTION
1	1018622-9	1	VALVE ASY., swing (Refer to SWING VALVE ASY. for component parts)
	0921719-1	3	CAPSCREW, 5/16NC x 2-1/2
	0917356-8	3	LOCKWASHER, 5/16
2	1014475-6	2	PLATE, orifice
3	0921409-9	2	CONNECTOR, st. (Incl. O-RING)
	0921349-7	2	O-RING
4	0921279-6	2	ELBOW, swivel nut
5	1012476-6	2	HOSE ASY., valve to swing cylinder
6	0922792-7	2	TEE, adjustable (Incl. O-RING)
	0921349-7	2	O-RING
7	1012481-6	2	HOSE ASY., swing cylinder to swing cylinder
8	0921402-4	2	ELBOW, adjustable (Incl. O-RING)
	0921349-7	2	O-RING

714B & 715B TRACTORS
HYDRAULIC SYSTEM

159

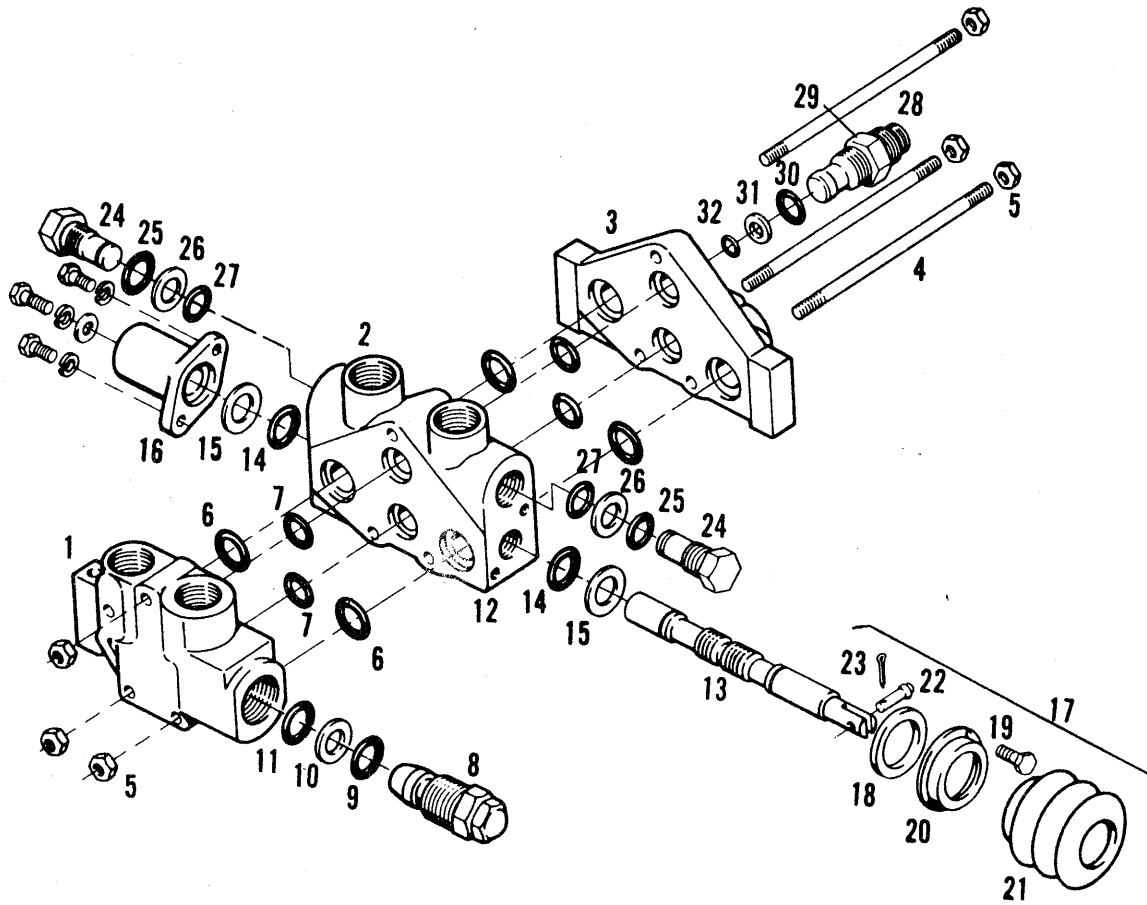
CONTROL VALVE
BACKHOE

ITEM	NUMBER	QTY.	DESCRIPTION
—	1017307-8	1	VALVE ASY., backhoe
1	1015367-4	1	COVER, L.H.
2	1023549-7	1	SECTION
3	1015375-7	2	SECTION, 4-way
4	1015376-5	1	COVER, R.H.
5	1015494-6	4	STUD
6	0923428-7	4	NUT
7	-----	8	*O-RING
8	-----	4	*O-RING
9	1015493-8	1	PLUG, relief
10	-----	1	*O-RING
11	-----	1	*WASHER, backup
12	-----	1	*O-RING
13	-----	5	HOUSING (Serviced in ASY. only)
14	-----	4	SPOOL (Serviced in ASY. only)
15	-----	1	SPOOL (Serviced in ASY. only)
16	-----	10	*O-RING
17	1015369-0	4	POSITIONER
	1016387-1	4	SPRING, valve centering, light
18	1015373-2	1	POSITIONER
	1016387-1	1	SPRING, valve centering, light
19	1015371-6	5	BOOT KIT (Incl. Items 20 thru 25)
20	-----	5	*BREATHER
21	-----	10	*SCREW
22	-----	5	*RETAINER
23	-----	5	*BOOT
24	-----	5	*PIN
25	-----	5	*PIN, cotter
26	1015370-8	5	PLUG, load check (Incl. SPRING & POPPET)
27	-----	5	*O-RING
28	1002539-3	1	VALVE, relief (2000 PSI)
29	1015557-0	3	VALVE, relief (3000 PSI)
30	1018029-7	2	VALVE, relief, anti-cav. check
31	-----	6	*O-RING
32	-----	6	*O-RING
33	1015374-0	4	PLUG, anti-cav. check (Incl. O-RING)
34	-----	2	*O-RING
35	-----	2	*O-RING
	1015492-0	4	SEAL KIT, section (Incl. Items 7 & 8)
	1015495-3	1	SEAL KIT (Incl. Items 10, 11, 12, 16 & 27)
—	1010511-2	6	SEAL KIT, circuit RV (Incl. Items 31 & 32)

*Included in SEAL KITS

714B & 715B TRACTORS
HYDRAULIC SYSTEM

CONTROL VALVE
BACKHOE SWING



714B & 715B TRACTORS
HYDRAULIC SYSTEM

161

CONTROL VALVE
BACKHOE SWING

ITEM	NUMBER	QTY.	QTY.	DESCRIPTION
		*	**	
-	1018622-9	-	-	VALVE ASY., swing
1	1018624-5	1	1	COVER, L.H.
2	1015555-4	1	0	SECTION, 4-way
	1018625-2	0	1	SECTION, 4-way
3	1015353-4	1	1	COVER, R.H.
4	1015352-6	3	0	STUD
	1018628-6	0	3	BOLT
5	0923428-7	6	0	NUT
	0914929-5	0	3	NUT
6	-----	4	4	+O-RING
7	-----	4	4	+O-RING,
8	1018027-1	1	0	CARTRIDGE, main relief (2450 PSI)
	1018627-8	0	1	CARTRIDGE, main relief (2450 PSI)
9	-----	1	1	+O-RING, seal
10	-----	1	1	+WASHER, backup
11	-----	1	1	+O-RING, seal
12	-----	1	1	HOUSING (Serviced in ASY. only)
13	-----	1	1	SPOOL, 4-way (Serviced in ASY. only)
14	-----	2	2	+O-RING, spool seal
15	-----	2	2	+WASHER, backup
16	1011638-2	1	0	POSITIONER
	1018630-2	0	1	POSITIONER
	1016386-3	1	0	SPRING, valve centering, light
17	1015351-8	1	1	BOOT KIT (Incl. Items 18 thru 23)
18	-----	1	1	+BREATHER
19	-----	2	2	+SCREW
20	-----	1	1	+RETAINER
21	-----	1	1	+BOOT
22	-----	1	1	+PIN
23	-----	1	1	+PIN, cotter
24	1016920-9	2	2	VALVE ASY., relief (2700 PSI)
25	-----	2	2	+O-RING, relief
26	-----	2	2	+WASHER, backup relief
27	-----	2	2	+O-RING, relief
28	1015355-9	1	1	ADAPTER fitting
29	-----	1	1	SLEEVE (Serviced in ASY. only)
30	-----	1	1	+O-RING
31	-----	1	1	+WASHER, backup
32	-----	1	1	+O-RING
-	1015356-7	1	1	SEAL KIT (Incl. Items 30, 31 & 32)
-	1010508-8	2	2	SEAL KIT, section (Incl. Items 6, 7, 14 & 15)
-	1010510-4	2	2	SEAL KIT, relief (Incl. Items 25, 26 & 27)
-	1010511-2	1	0	SEAL KIT, main (Incl. Items 9, 10 & 11)
-	1018629-4	0	1	SEAL KIT, main (Incl. Items 9, 10 & 11)

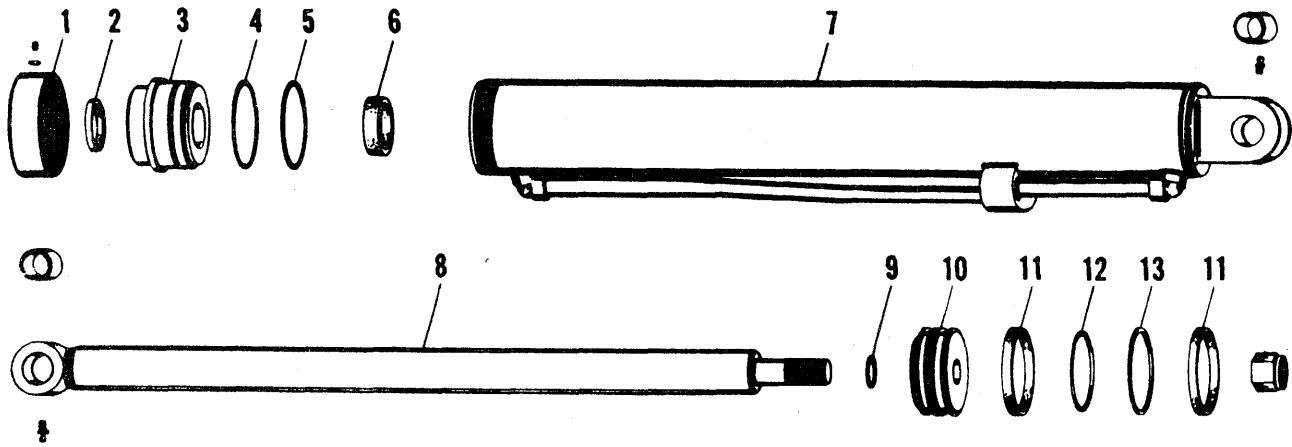
*Prior Tractor S/N 2216

**Eff. Tractor S/N 2216 & Up

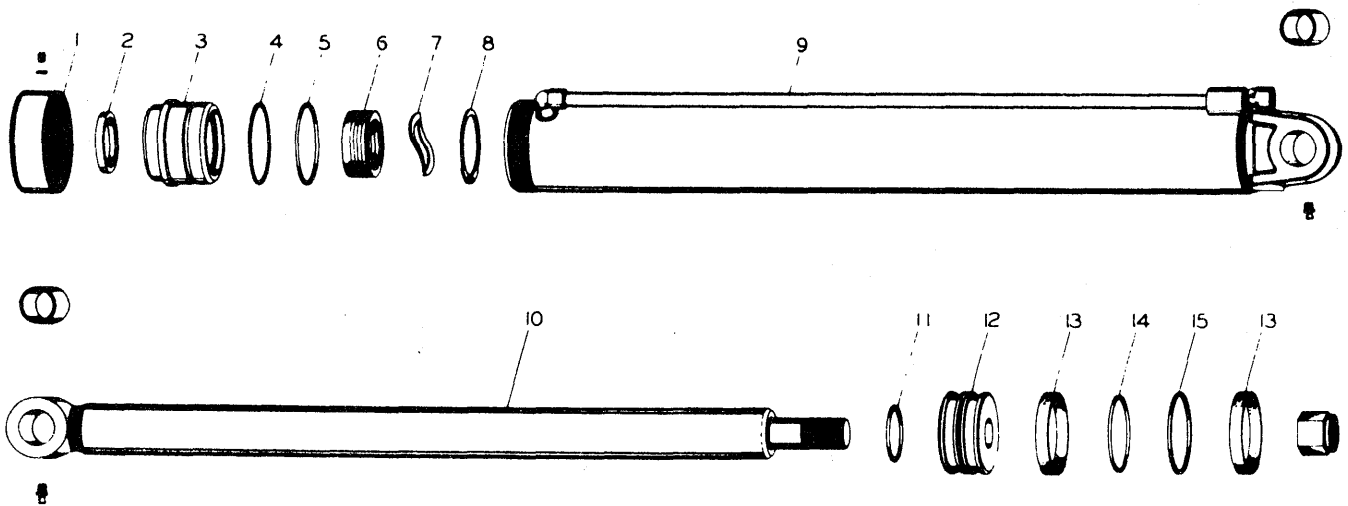
+ Included in SEAL KITS

714B & 715B TRACTORS
HYDRAULIC SYSTEM

BOOM CYLINDER
BACKHOE



DIPPERSTICK CYLINDER
BACKHOE



714B & 715B TRACTORS
HYDRAULIC SYSTEM

163

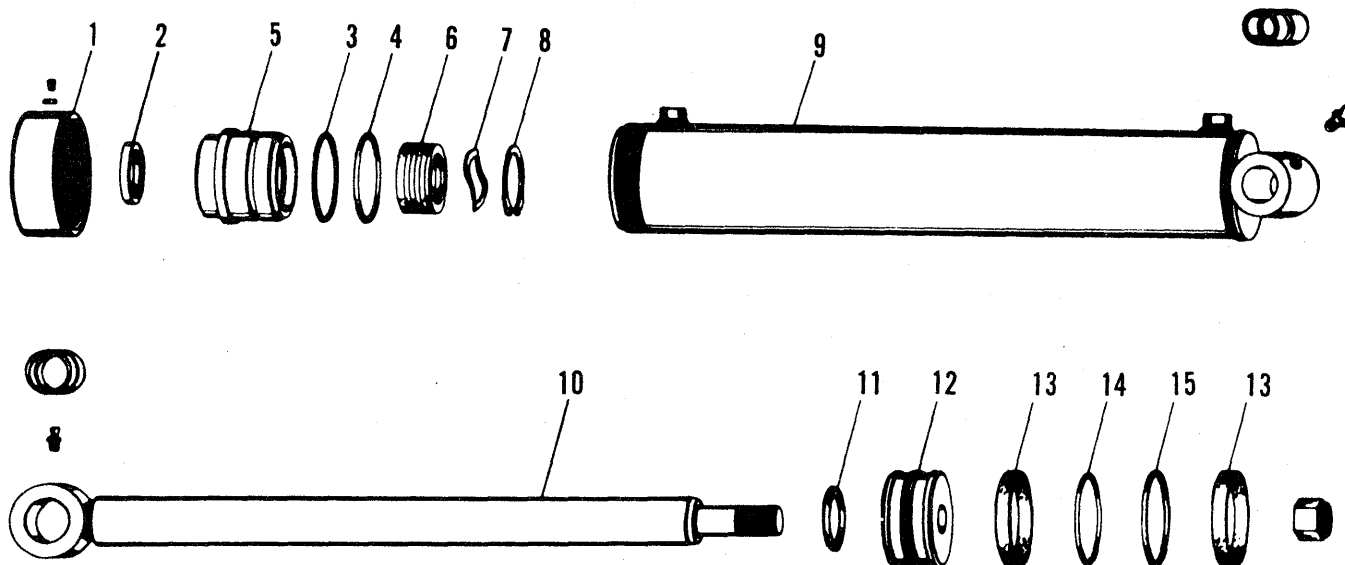
BOOM CYLINDER
BACKHOE

ITEM	NUMBER	QTY.	DESCRIPTION
—	1008220-4	1	CYLINDER ASY., boom (Incl. Items 1 thru 13)
1	2019984-0	1	RING, flange
	0907675-3	1	SCREW, set, socket
	0911325-9	1	NUT, jam, 1/4NC
2	1000407-5	1	RING, wiper
3	1008215-4	1	HEAD, cylinder
4	0926631-3	1	RING, backup
5	0924923-6	1	O-RING
6	1008216-2	1	SEAL
7	1008296-4	1	TUBE ASY., cylinder
	1004100-2	1	BUSHING
	9002032-2	1	FITTING, grease, 1/8 str. (Pkg. of 10)
8	1008295-6	1	ROD ASY., piston
	1004100-2	1	BUSHING
	9002032-2	1	FITTING, grease, 1/8 Str. (Pkg. of 10)
	1000065-1	1	NUT, lock, 1-1/2NC
9	0923814-8	1	O-RING
10	1008217-0	1	PISTON
11	1000455-4	1	RING, bearing
12	0923659-7	1	O-RING
13	2019995-6	1	RING, piston
—	1008297-2	1	REPAIR KIT, major seal (Incl. Items 2, 3, 4, 5, 6, 9, 11, 12 & 13)

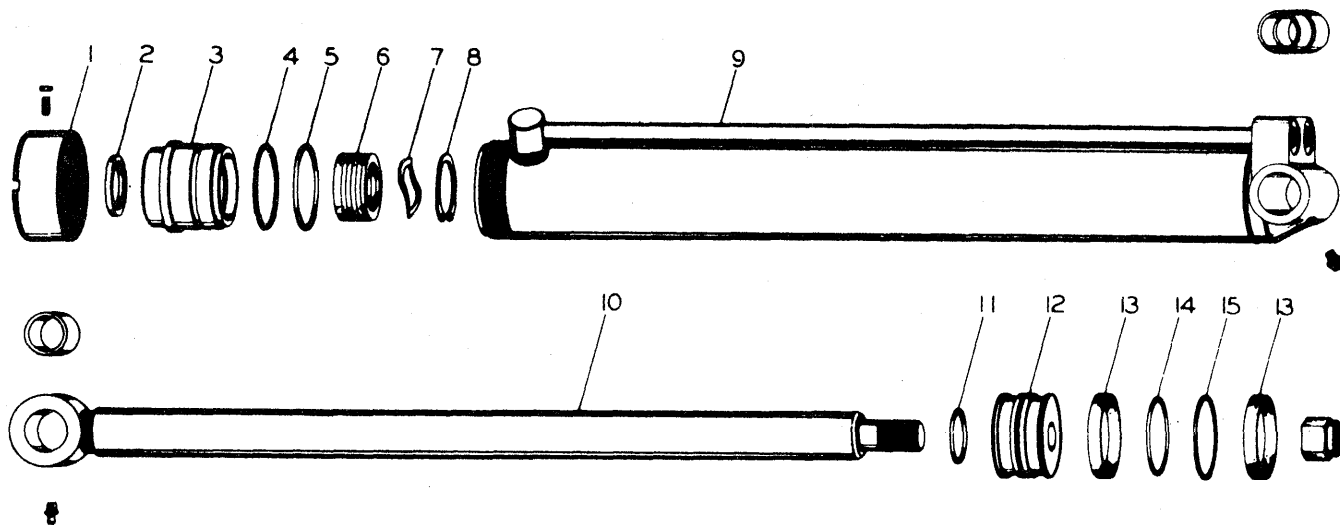
DIPPERSTICK CYLINDER
BACKHOE

ITEM	NUMBER	QTY.	DESCRIPTION
—	1016840-9	1	CYLINDER ASY., dipper
1	2019978-2	1	RING, flange
	0907675-3	1	SCREW, set, socket
	0911325-9	1	NUT, jam, 1/4NC
2	3053637-9	1	WIPER
3	2019977-4	1	HEAD
4	0926629-7	1	WASHER, backup
5	0923817-1	1	O-RING
6	2018413-1	1	PACKING, vee
7	2018412-3	1	RING, wavy
8	2018411-5	1	RING, retaining
9	1017913-3	1	TUBE ASY., cylinder
	2018393-5	1	BUSHING, 1-1/2 I.D. x 2-1/2
	9002032-2	1	FITTING, grease, 1/8 str. (Pkg. of 10)
10	1017310-2	1	ROD ASY.
	2018393-5	1	BUSHING, 1-1/2 I.D. x 2-1/2
	9002032-2	1	FITTING, grease, 1/8 str. (Pkg. of 10)
	1000065-1	1	NUT, lock, 1-1/2NC
11	0925257-8	1	O-RING
12	1000620-3	1	PISTON
13	2018092-3	2	RING, wear
14	0924187-8	1	O-RING
15	2018095-6	1	RING, seal
—	1000622-9	1	REPAIR KIT, major seal (Incl. Items 2, 4, 5, 6, 13, 14 & 15)

STABILIZER CYLINDER
BACKHOE



BUCKET CYLINDER
BACKHOE



714B & 715B TRACTORS
HYDRAULIC SYSTEM

165

STABILIZER CYLINDER
BACKHOE

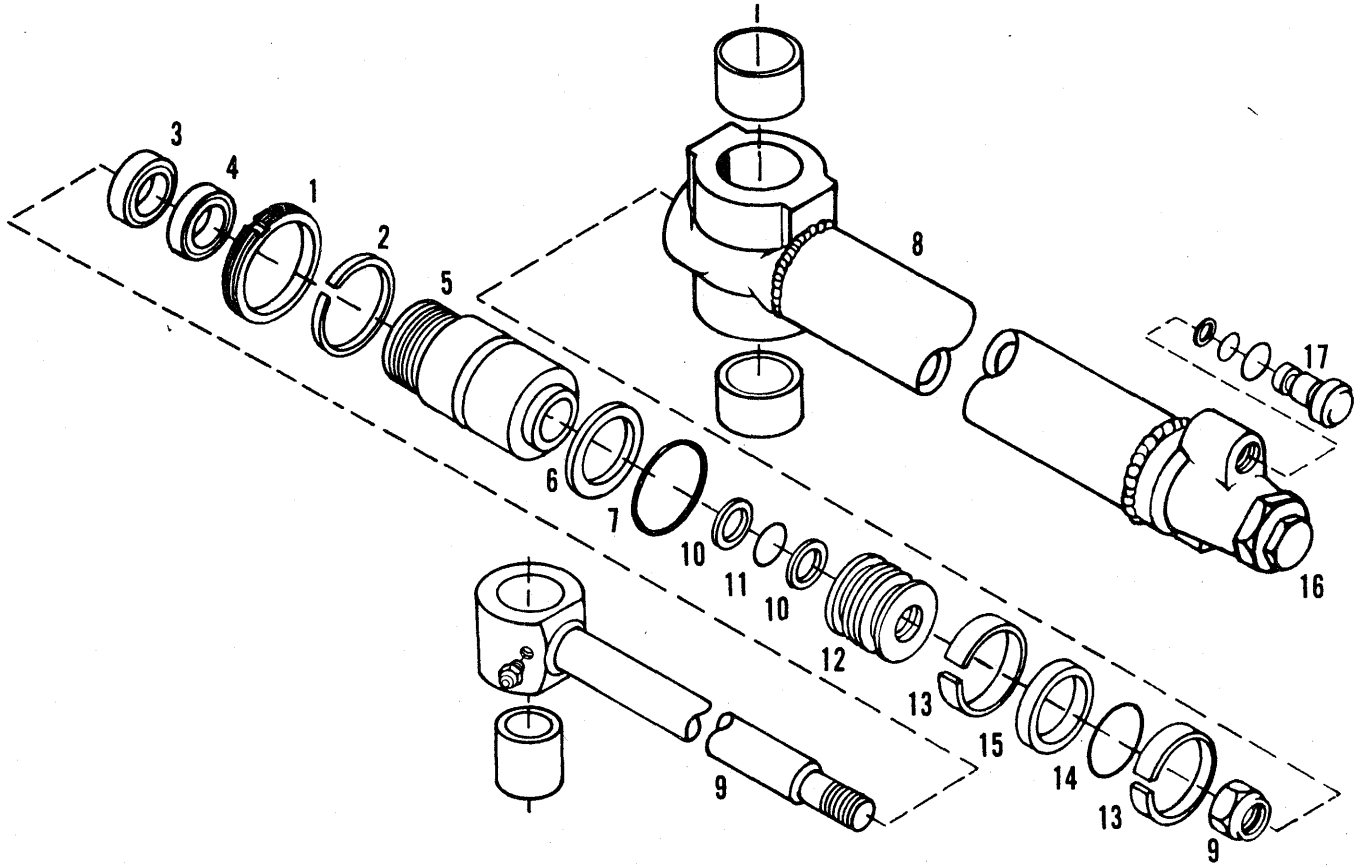
ITEM	NUMBER	QTY.	DESCRIPTION
—	1017248-4	2	CYLINDER ASY., stabilizer
1	2019978-2	1	RING, flange
	0907675-3	1	SCREW, set, socket
	0911325-9	1	NUT, jam, 1/4NC
2	3053637-9	1	RING, wiper
3	0926629-7	1	WASHER, backup
4	0923817-1	1	O-RING
5	2019977-4	1	HEAD, cylinder
6	2018413-1		PACKING, vee
7	2018412-3	1	WASHER, wave
8	2018411-5	1	RING, retaining
9	1017284-9	1	TUBE ASY., cylinder
	2018402-4	2	BUSHING, 1-1/2 I.D. x 1-15/16
	9002032-2	1	FITTING, grease, 1/8 str. (Pkg. of 10)
10	1001394-4	1	ROD ASY., piston
	1004734-8	1	BUSHING, 1-1/2 I.D. x 1-7/16
	9002032-2	1	FITTING, grease, 1/8 str. (Pkg. of 10)
	1000065-1	1	NUT, lock, 1-1/2NC
11	0925257-8	1	O-RING
12	1000620-3	1	PISTON
13	2018092-3	2	RING, bearing
14	0924187-8	1	O-RING
15	2018095-6	1	RING, piston
—	1000622-9	1	REPAIR KIT, major seal (Incl. Items 2, 3, 4, 6, 11, 13, 14 & 15)

BUCKET CYLINDER
BACKHOE

ITEM	NUMBER	QTY.	DESCRIPTION
—	1000085-9	1	CYLINDER ASY., bucket (Incl. Items 1 thru 15)
1	1000913-2	1	RING, flange
	0907675-3	1	SCREW, set, socket
	0911325-9	1	NUT, jam, 1/4NC
2	3053637-9	1	RING, wiper
3	1000090-9	1	HEAD, cylinder
4	0926627-1	1	WASHER, backup
5	0923816-3	1	O-RING
6	2018413-1	1	PACKING, vee
7	2018412-3	1	RING, wavy
8	2018411-5	1	RING, retainer
9	1000177-4	1	TUBE ASY., cylinder
	2018402-4	2	BUSHING, 1-1/2 I.D. x 1-15/16
	9002032-2	1	FITTING, grease, 1/8 str. (Pkg. of 10)
10	1000176-6	1	ROD ASY., piston
	2018402-4	1	BUSHING, 1-1/2 I.D. x 1-15/16
	9002032-2	1	FITTING, grease, 1/8 str. (Pkg. of 10)
	0917776-7	1	NUT, lock, 1-1/4NF
11	0925257-8	1	O-RING
12	1000107-1	1	PISTON
13	2017362-1	2	RING, bearing
14	0924135-7	1	O-RING
15	2017235-9	1	RING, piston
—	1000094-1	1	REPAIR KIT, major seal (Incl. Items 2, 4, 5, 6, 11, 13, 14 & 15)

714B & 715B TRACTORS
HYDRAULIC SYSTEM

SWING CYLINDER
BACKHOE



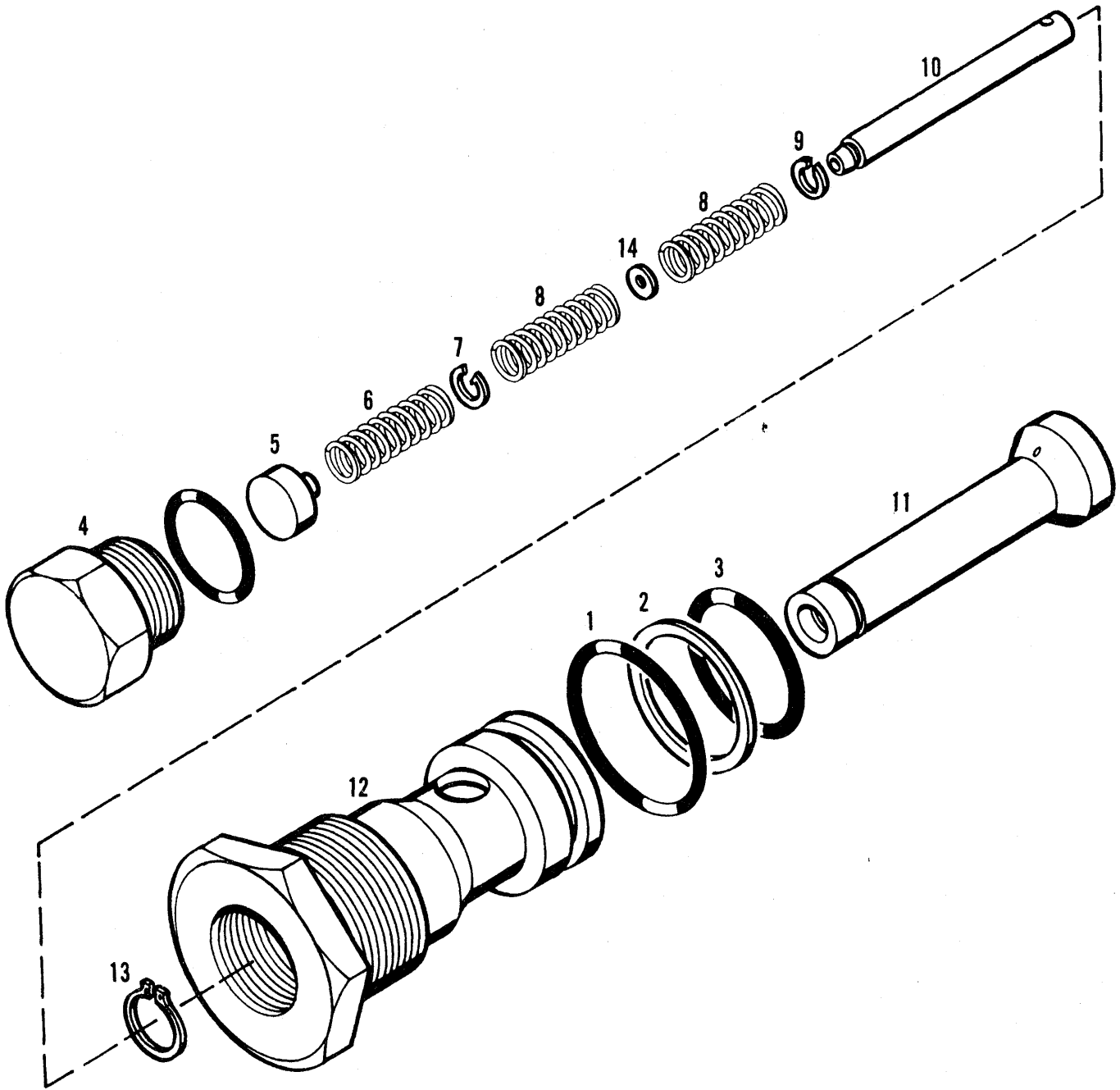
714B & 715B TRACTORS
HYDRAULIC SYSTEM

167

SWING CYLINDER
BACKHOE

ITEM	NUMBER	QTY.	DESCRIPTION
-	1008181-8	2	CYLINDER ASY., swing
1	1008189-1	1	RETAINER
2	1008188-3	1	RING, retainer
3	2014684-1	1	RING, wiper
4	0930328-0	1	SEAL
5	1018037-0	1	HEAD, cylinder
6	0926627-1	1	WASHER, backup
7	0923816-3	1	O-RING
8	1008190-9	1	TUBE ASY., cylinder
	1008020-8	2	BUSHING
	9002032-2	1	FITTING, grease, 1/8 str. (Pkg. of 10)
9	1008191-7	1	ROD ASY., piston
	1004100-2	1	BUSHING
	9002032-2	1	FITTING, grease, 1/8 str. (Pkg. of 10)
	0930765-3	1	NUT, lock, 1"NF
10	0926620-6	2	WASHER, backup
11	0923664-7	1	O-RING
12	1008193-3	1	PISTON
13	2017362-1	2	RING, bearing
14	0924135-7	1	O-RING
15	2017235-9	1	SEAL, piston
16	-----	1	CUSHION ASY. (Refer to CUSHION ASY. for component parts)
17	1008183-4	1	VALVE, relief
-	1008888-8	1	SEAL KIT (For RELIEF VALVE 1008183)
-	1008192-5	1	REPAIR KIT, major seal (Incls. Items 3, 4, 6, 7, 10, 11, 13, 14 & 15)

CUSHION ASY., SWING
BACKHOE



714B & 715B TRACTORS
HYDRAULIC SYSTEM

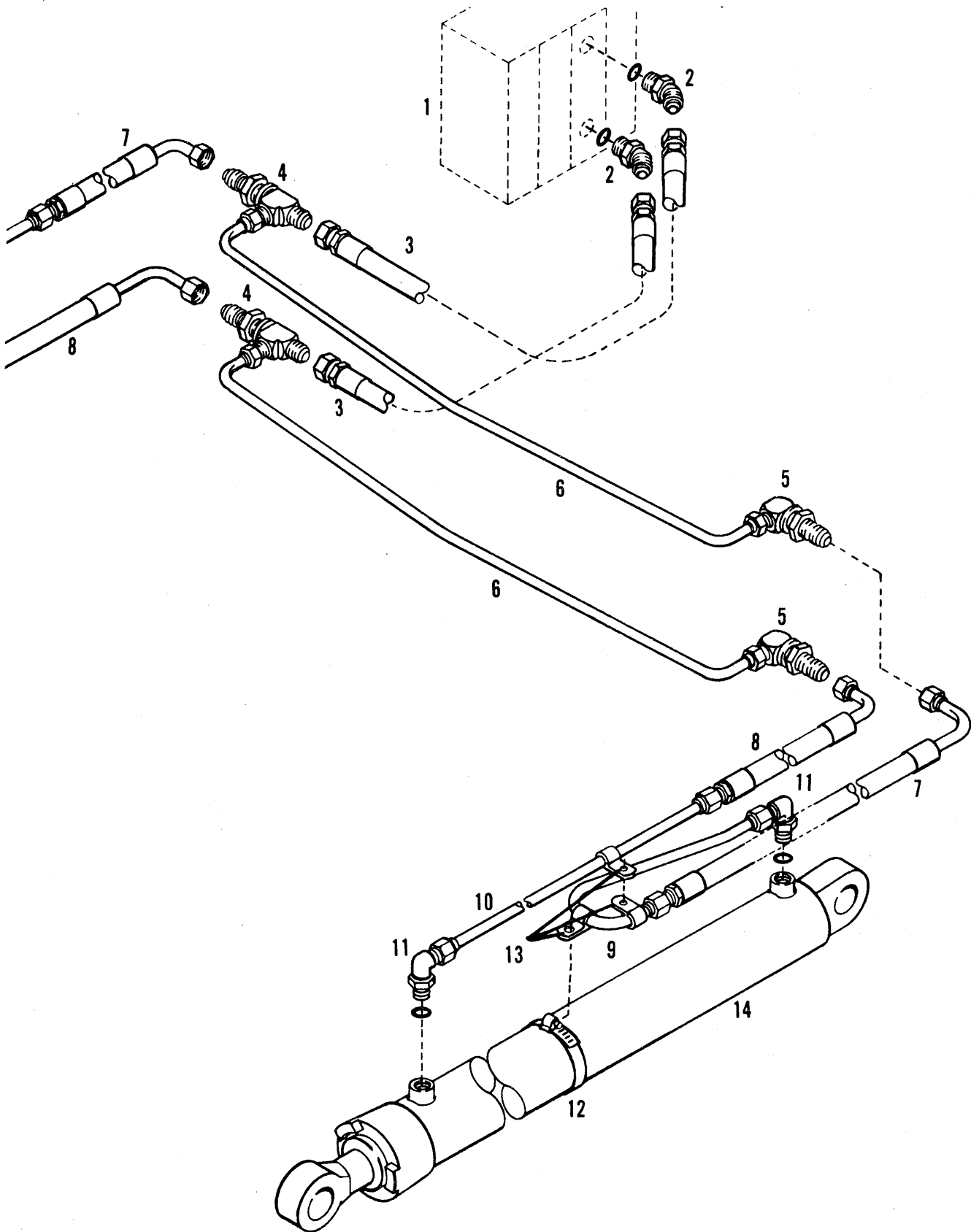
169

CUSHION ASY., SWING
BACKHOE

ITEM	NUMBER	QTY.	DESCRIPTION
-	1008182-6	1	CUSHION ASY., swing
1	0921235-8	1	O-RING
2	0926618-0	1	WASHER, backup
3	0923649-8	1	O-RING
4	0921204-4	1	PLUG
	0921206-9	1	O-RING
5	1008200-6	1	GUIDE
6	1008199-0	1	SPRING
7	0927655-1	1	RING, retaining
8	1008198-2	2	SPRING
9	1008197-4	1	RING, retaining
10	1008196-6	1	PLUNGER
11	1008195-8	1	POPPET
12	1008194-1	1	BODY
13	0927103-2	1	RING, retaining
14	1012389-1	2	WASHER
-	1008201-4	1	SEAL KIT (Incls. Items 1, 2, 3 & O-RING)

714B & 715B TRACTORS
HYDRAULIC SYSTEM

LOADER LINES
LIFT



714B & 715B TRACTORS
HYDRAULIC SYSTEM

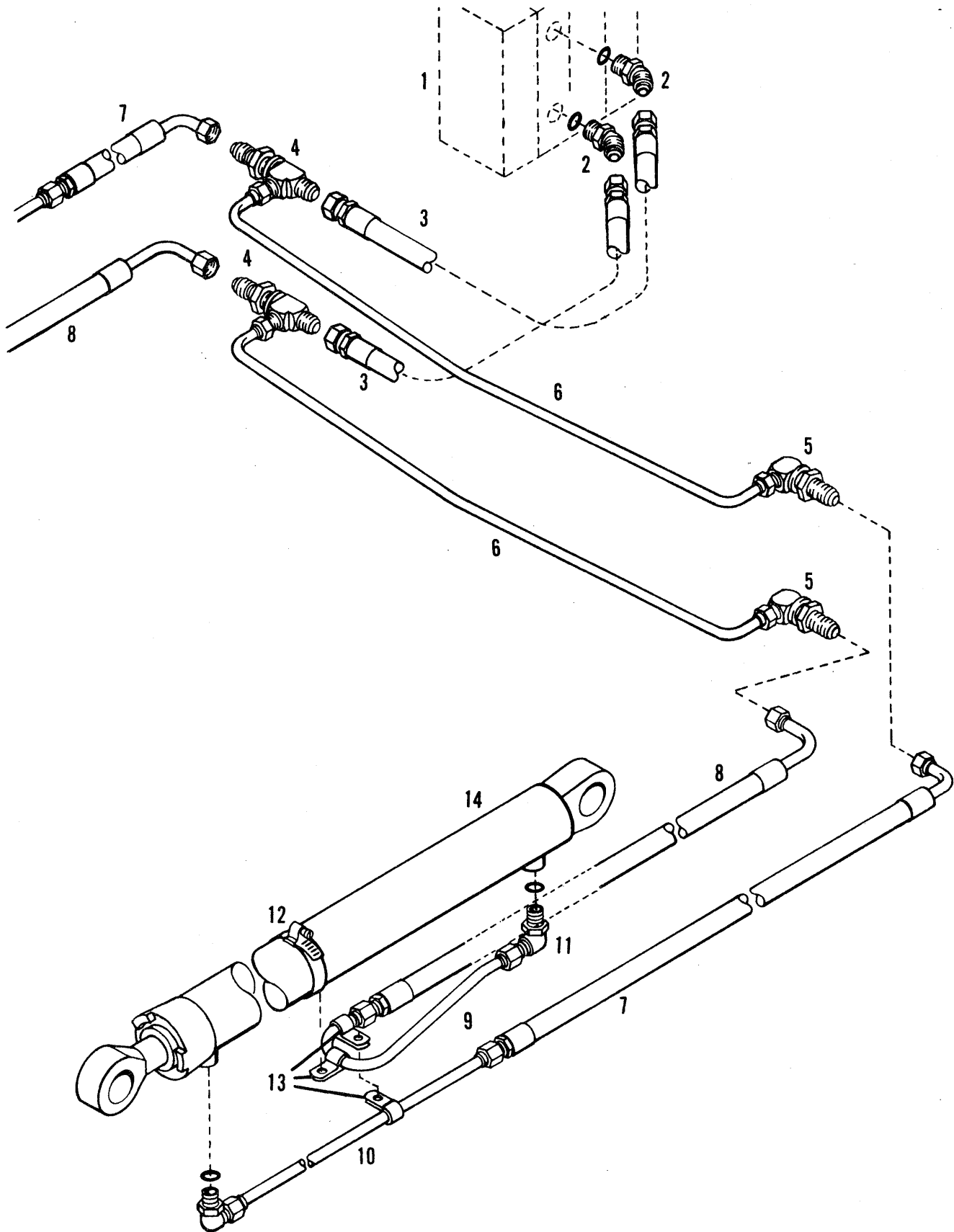
171

LOADER LINES
LIFT

ITEM	NUMBER	QTY.	DESCRIPTION
1	1018623-7	1	VALVE ASY., loader (Refer to LOADER CONTROL VALVE ASY. for component parts)
2	0925943-3	2	FITTING, elbow, 45° male adjustable (Incl. O-RING)
	0921205-1	2	O-RING
3	1009518-0	2	HOSE ASY., valve to tee
4	0927247-7	2	FITTING, tube tee adjustable bulkhead
5	0927163-6	2	FITTING, tube, 90° adjustable bulkhead
6	1016871-4	2	TUBE ASY., tee to 90° elbow adjustable
7	1016929-0	2	HOSE ASY., to base end of cylinder
8	1016929-0	2	HOSE ASY., to rod end of cylinder
9	1009196-5	2	TUBE ASY., to base end of cylinder
10	1016957-1	2	TUBE ASY., to rod end of cylinder
11	0921402-4	4	FITTING, elbow, 90° male adjustable
	0921349-7	4	O-RING
12	0921915-5	2	CLAMP, worm drive
13	0927155-2	6	CLAMP, 1/2 I.D.
14	1016775-7	2	CYLINDER ASY., lift (Refer to TILT CYLINDER ASY. for component parts)

714B & 715B TRACTORS
HYDRAULIC SYSTEM

LOADER LINES
TILT



714B & 715B TRACTORS
HYDRAULIC SYSTEM

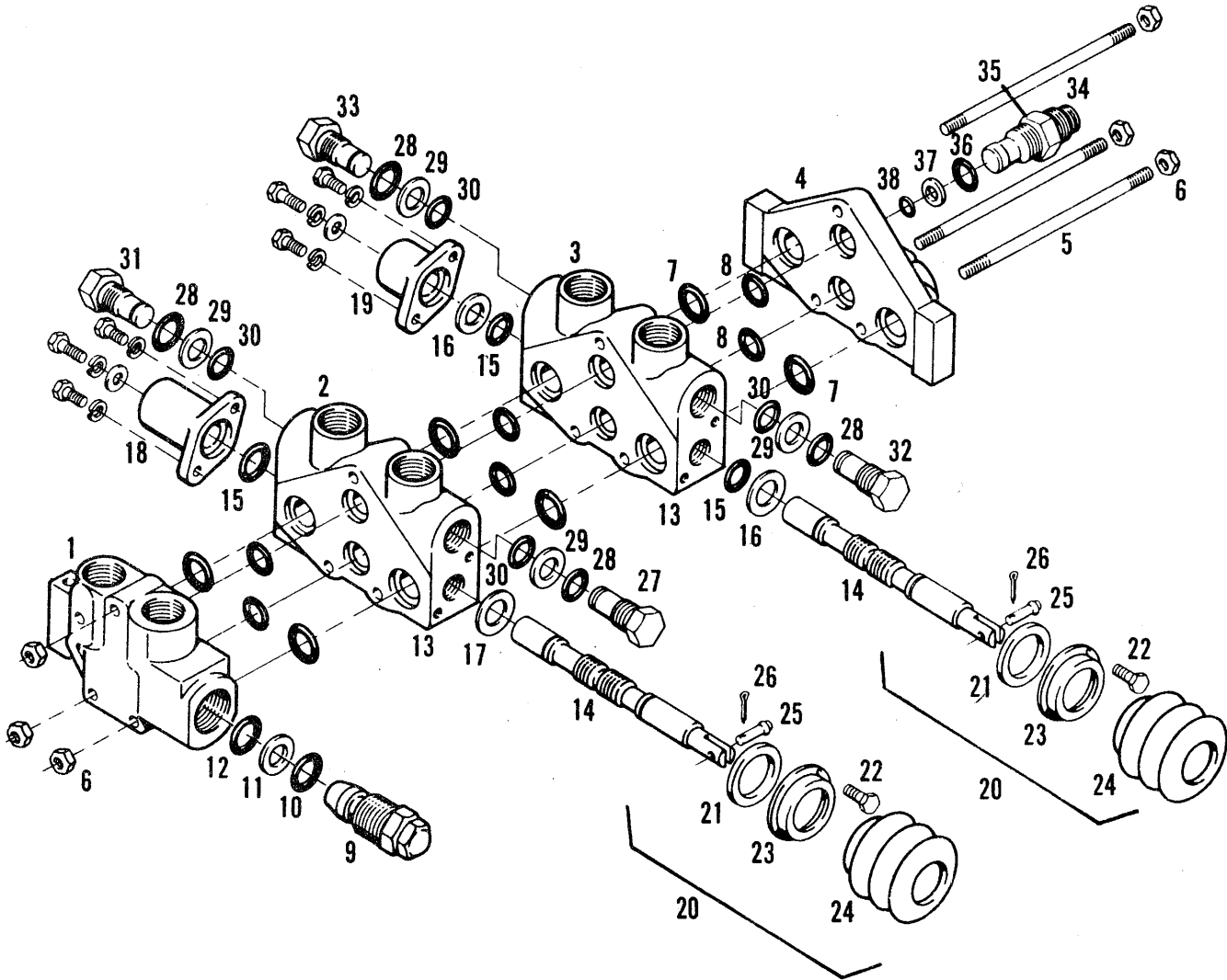
173

LOADER LINES
TILT

ITEM	NUMBER	QTY.	DESCRIPTION
1	1018623-7	1	VALVE ASY., loader (Refer to LOADER CONTROL VALVE ASY. for component parts)
2	0925943-3	2	FITTING, elbow, 45° male adjust. (Incl. O-RING)
	0921205-1	2	O-RING
3	1009518-0	2	HOSE ASY., valve to tee
4	0927247-7	2	FITTING, tube tee adjustable bulkhead
5	0927163-6	2	FITTING, tube, 90° adjustable bulkhead
6	1016871-4	2	TUBE ASY., tee to 90° elbow adjustable
7	1016928-2	2	HOSE ASY., to rod end of cylinder
8	1016928-2	2	HOSE ASY., to base end of cylinder
9	1009196-5	2	TUBE ASY., to base end of cylinder
10	1016956-3	2	TUBE ASY., to rod end of cylinder
11	0921402-4	4	FITTING, elbow, 90° male adjust. (Incl. O-RING)
	0921349-7	4	O-RING
12	0921915-5	2	CLAMP, worm drive
13	0927155-2	6	CLAMP, 1/2 I.D.
14	1016761-7	2	CYLINDER ASY., tilt (Refer to TILT CYLINDER ASY. for component parts)

714B & 715B TRACTORS
HYDRAULIC SYSTEM

CONTROL VALVE
LOADER



714B & 715B TRACTORS
HYDRAULIC SYSTEM

175

CONTROL VALVE
LOADER

ITEM	NUMBER	QTY.	QTY.	DESCRIPTION
		*	**	
--	1018623-7	1	1	VALVE ASY., loader
1	1018624-5	1	1	COVER ASY., L.H.
2	1018636-9	1	1	SECTION, float
3	1010505-4	1	0	SECTION, 4-way tilt
	1018638-5	0	1	SECTION, 4-way tilt
4	1015353-4	1	1	COVER ASY., R.H.
5	1011648-1	3	0	STUD
	1018639-3	0	3	BOLT
6	0923428-7	6	0	NUT
	0914929-5	0	3	NUT
7	-----	6	6	+ O-RING
8	-----	6	6	+ O-RING
9	1018027-1	1	0	CARTRIDGE, main relief (2450 PSI) (WC, for CP inlet)
	1018627-8	0	1	CARTRIDGE, main relief (2450 PSI) (RDA, for V20 inlet)
10	-----	1	1	+ O-RING, seal
11	-----	1	1	+ WASHER, backup
12	-----	1	1	+ O-RING, seal
13	-----	2	2	HOUSING (Serviced in ASY. only)
14	-----	2	2	SPOOL, float & 4-way (Serviced in ASY. only)
15	-----	3	3	+ O-RING, seal
16	-----	2	2	+ WASHER, backup
17	1018635-1	1	1	SEAL
18	1015368-2	1	0	POSITIONER, float
	1018637-7	0	1	POSITIONER, float
	1016387-1	1	0	SPRING, valve centering, light
19	1011638-2	1	0	POSITIONER, 4-way
	1018630-2	0	1	POSITIONER, 4-way
	1016386-3	1	0	SPRING, valve centering, light
20	1015351-8	2	2	BOOT KIT (Incl. Items 21 thru 26)
21	-----	2	2	+ BREATHER
22	-----	4	4	+ SCREW
23	-----	2	2	+ RETAINER
24	-----	2	2	+ BOOT
25	-----	2	2	+ PIN
26	-----	2	2	+ PIN, cotter
27	1018028-9	1	1	VALVE ASY., relief (2700 PSI)
28	-----	4	4	+ O-RING, relief
29	-----	4	4	+ WASHER, backup relief
30	-----	4	4	+ O-RING, relief
31	1010506-2	1	1	CHECK ASY.
32	1016920-9	1	1	VALVE ASY., relief, w/ anti-cav. (2700 PSI)
33	1010488-3	1	1	VALVE ASY., relief, circuit (2000 PSI)
34	1015355-9	1	1	ADAPTER, fitting
35	-----	1	1	SLEEVE (Serviced in ASY.)
36	-----	1	1	+ O-RING
37	-----	1	1	+ WASHER, backup
38	-----	1	1	+ O-RING,
--	1015356-7	1	0	SEAL KIT (Incl. Items 36, 37 & 38)
--	1018640-1	0	1	SEAL KIT (Incl. Items 36, 37 & 38)
--	1010508-8	3	3	SEAL KIT (Incl. Items 7, 8, 15 & 16)
--	1010510-4	4	4	SEAL KIT (Incl. Items 28, 29 & 30)
--	1010511-2	1	0	SEAL KIT (Incl. Items 10, 11 & 12)
--	1018629-4	0	1	SEAL KIT (Incl. Items 10, 11 & 12)

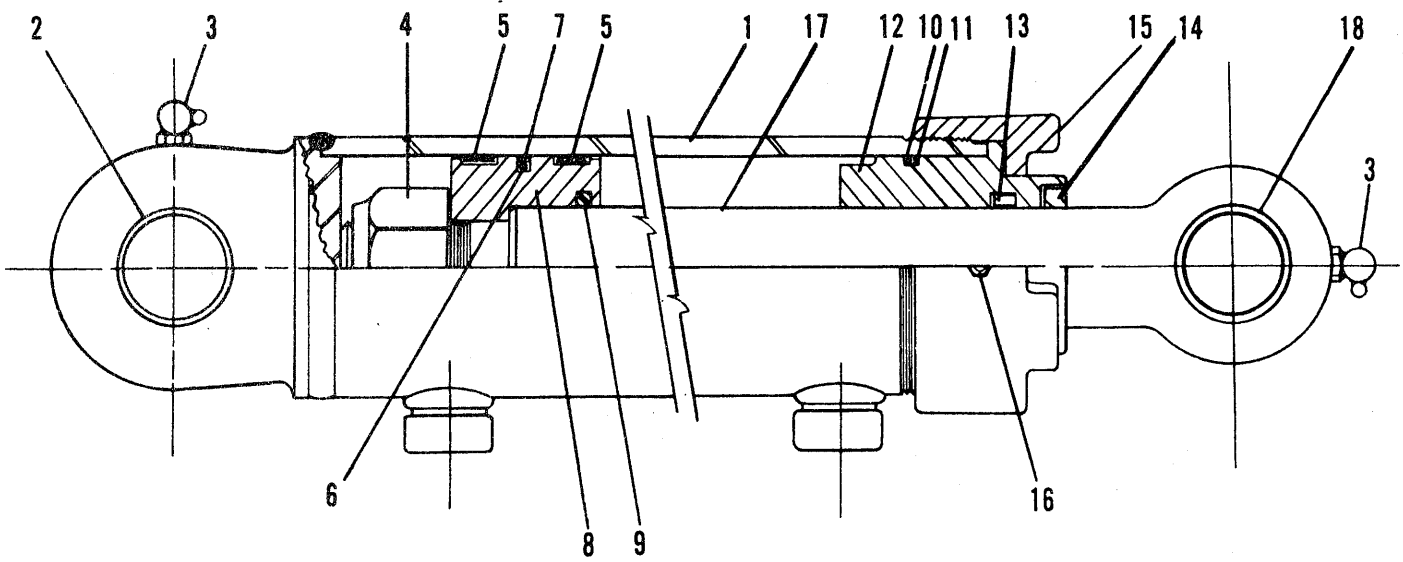
*Prior Tractor S/N 2216

**Eff. Tractor S/N 2216 & Up

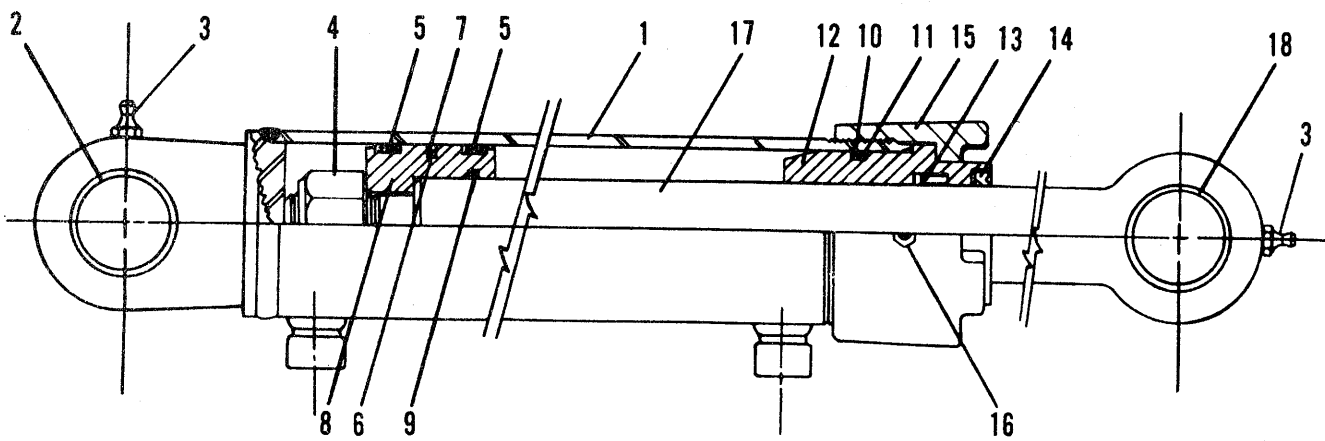
+ Included in SEAL KITS

714B & 715B TRACTORS
HYDRAULIC SYSTEM

LIFT CYLINDER ASY.



TILT CYLINDER ASY.



714B & 715B TRACTORS
HYDRAULIC SYSTEM

177

LIFT CYLINDER ASY.

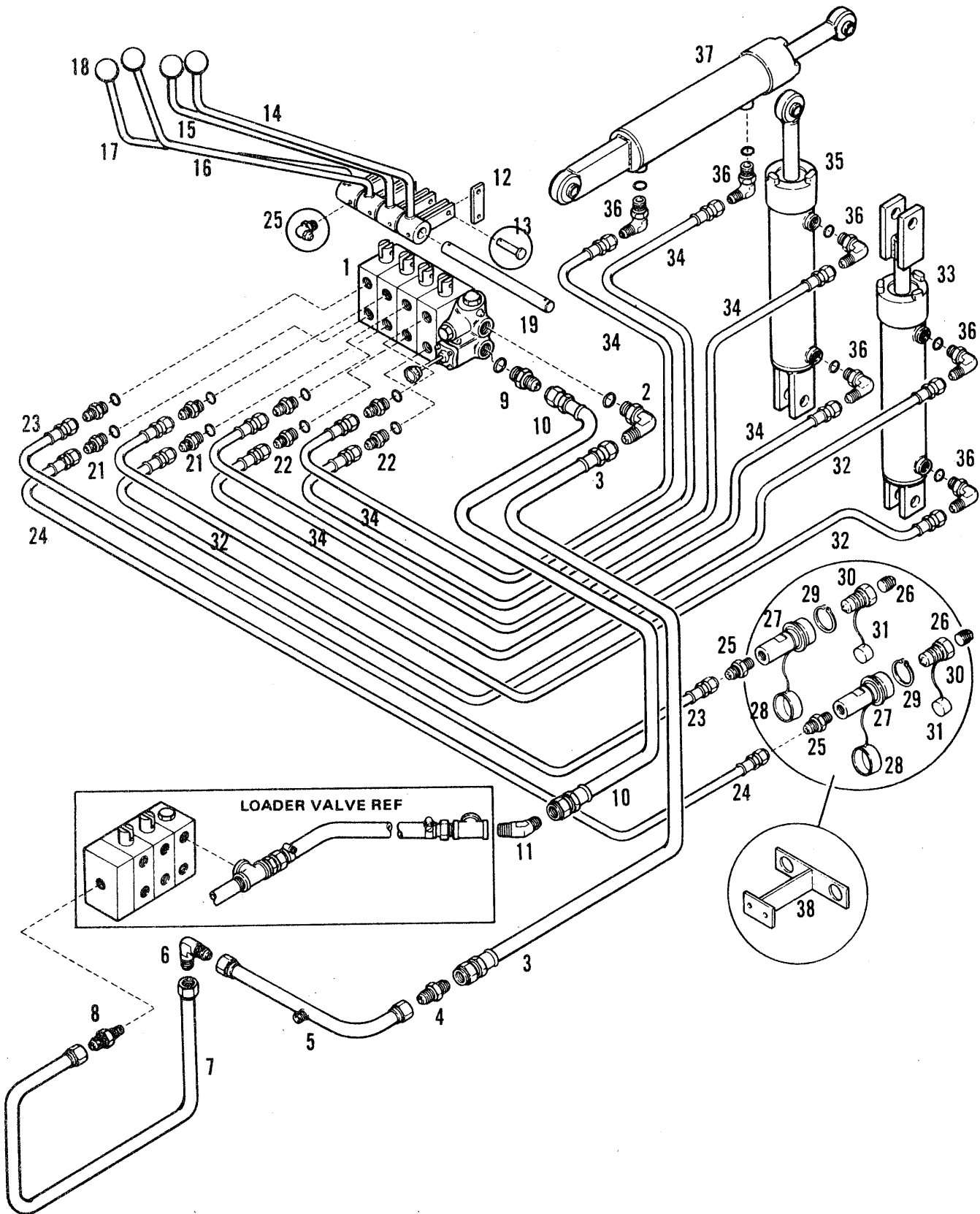
ITEM	NUMBER	QTY.	DESCRIPTION
-	1016775-7	1	LIFT CYLINDER ASY.
1	1017294-8	1	TUBE ASY.
2	1004099-6	2	BUSHING
3	9002038-3	2	FITTING, grease, 1/8, 90° (Pkg. of 10)
4	0917776-7	1	NUT, 1-1/4NF
5	2017480-1	2	RING, wear
6	0924770-1	1	O-RING
7	2017234-2	1	SEAL, piston
8	1004733-0	1	PISTON
9	0923577-1	1	O-RING
10	0923582-1	1	O-RING
11	0926625-5	1	RING, backup
12	1001082-5	1	HEAD
13	1001083-3	1	SEAL
14	2014685-8	1	WIPER
15	2015255-9	1	RING, flange
16	0907675-3	1	SETSCREW, 1/4NC x 5/8
	0911325-9	1	NUT, 1/4NC
17	1017293-0	1	ROD ASY.
18	1004734-8	1	BUSHING
-	1001100-5	1	SEAL KIT (Incl. Items 5, 6, 7, 9, 10, 11, 13 & 14)

TILT CYLINDER ASY.

ITEM	NUMBER	QTY.	DESCRIPTION
-	1016761-7	1	TILT CYLINDER ASY.
1	1017292-2	1	TUBE ASY.
2	1004734-8	1	BUSHING
3	9002032-2	2	FITTING, grease, 1/8 str. (Pkg. of 10)
4	0930765-3	1	NUT, 1"NF
5	2017479-3	2	RING, wear
6	0923684-5	1	O-RING
7	0931894-0	1	SEAL, piston
8	1008684-1	1	PISTON
9	0923664-7	1	O-RING
10	0923814-8	1	O-RING
11	0926623-0	1	RING, backup
12	1008682-5	1	HEAD
13	1008683-3	1	SEAL
14	2014684-1	1	WIPER
15	1008372-3	1	RING, flange
16	0907675-3	1	SETSCREW, 1/4NC x 5/8
	0911325-9	1	NUT, 1/4NC
17	1017291-4	1	ROD ASY.
18	2018402-4	1	BUSHING
-	1008688-2	1	SEAL KIT (Incls. Items 5, 6, 7, 9, 10, 11, 13 & 14)

714B & 715B TRACTORS
HYDRAULIC SYSTEM

HYDRAULIC GROUP
714B LOADER
3-POINT HITCH



714B & 715B TRACTORS
HYDRAULIC SYSTEM

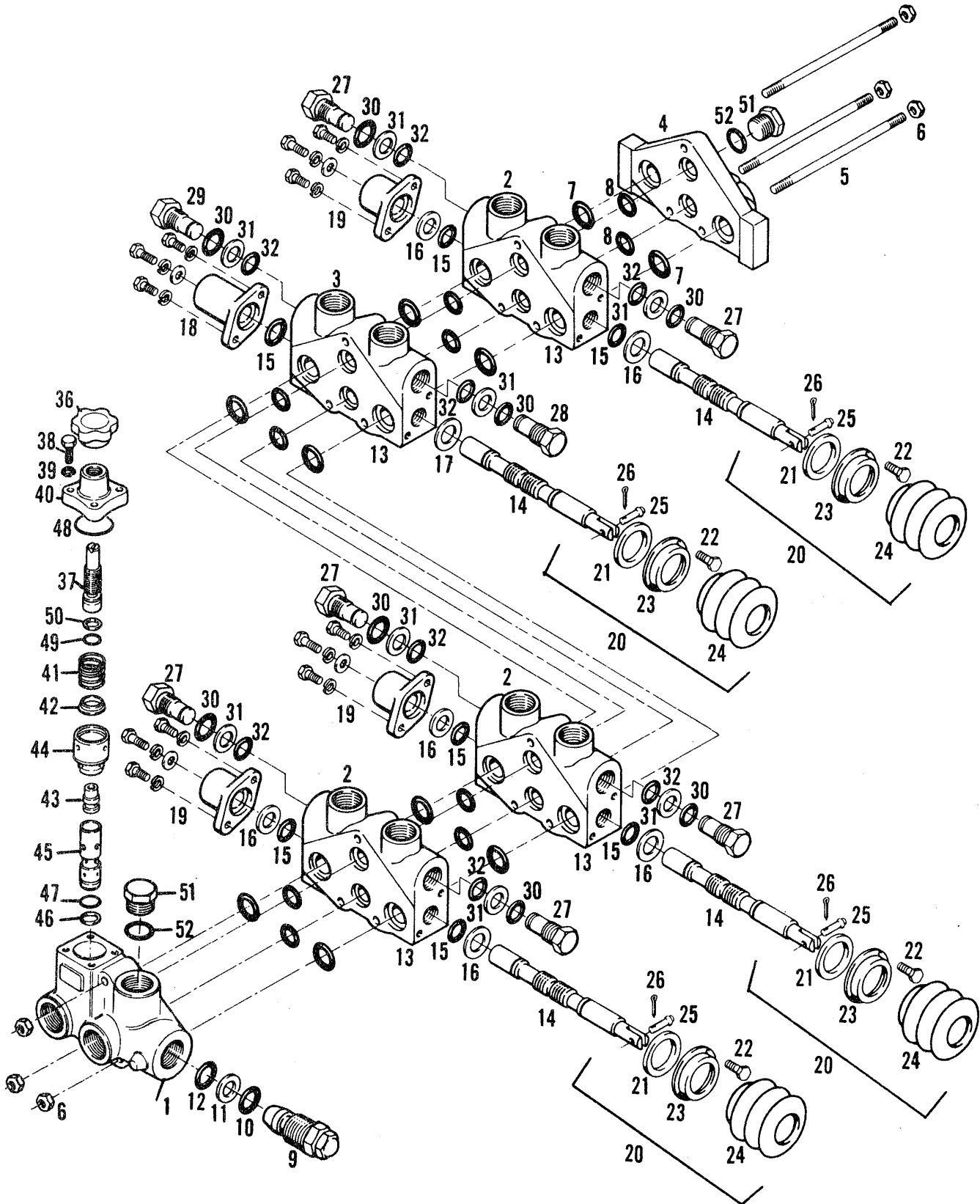
179

HYDRAULIC GROUP
714B LOADER
3-POINT HITCH

ITEM	NUMBER	QTY.	DESCRIPTION
1	1018672-4	1	VALVE ASY., hydraulic
2	0921203-6	1	ELBOW, 90° (Incl. O-RING)
3	1016922-5	1	HOSE ASY., 3/4 x 18
4	0919268-3	1	UNION, tube
5	1018791-2	1	TUBE ASY., hydraulic
6	0921991-6	1	UNION, 90° ell
7	1016930-8	1	TUBE ASY., hydraulic
8	1015355-9	1	ADAPTER, pressure beyond
9	0923174-7	1	FITTING, valve outlet (Incl. O-RING)
	0921206-9	1	O-RING
10	1018792-0	1	HOSE ASY., 1" x 31"
11	0920693-9	1	ELL, connection, return
12	1008840-9	4	LINK
13	0923087-1	4	PIN, link
	0918448-2	4	PIN, cotter
14	1018659-1	1	HANDLE ASY., pitch
15	1018661-7	1	HANDLE ASY., tilt
16	1018594-0	1	HANDLE ASY., lift
17	1018596-5	1	HANDLE ASY., aux.
18	0243416-5	4	KNOB, handle
19	1018560-1	1	SHAFT, control
	0925719-7	2	PIN, cotter, 1/8 x 2
20	0925730-4	4	FITTING, lube, 90°
21	0923717-3	4	FITTING, lift & aux. (Incl. O-RING)
	0921205-1	4	O-RING
22	0927672-6	4	FITTING, pitch & tilt (Incl. O-RING)
	0921205-1	4	O-RING
23	1016921-7	1	HOSE ASY., 1/2 x 16
24	1009518-0	1	HOSE ASY., 1/2 x 31-1/2
25	0919128-9	2	CONNECTOR, 1/2NPT
26	0905261-4	2	PLUG, 1/2NPT
27	0255018-4	2	COUPLER, socket
28	1016384-8	2	COVER, dust
29	0926574-5	2	RING, snap
30	0247336-1	2	COUPLER, nose
31	1016385-5	2	COVER, dust
32	1009520-6	2	HOSE ASY., 3/8 x 33-1/2
33	1019525-3	1	CYLINDER ASY., lift (Refer to CYLINDER ASY. for components)
34	1012033-5	4	HOSE ASY., 3/8 x 44
35	1018690-6	1	CYLINDER ASY., tilt (Refer to CYLINDER ASY. for components)
36	0922523-6	6	ELBOW, 90° (Incl. O-RING)
	0921885-0	6	O-RING
37	1019528-7	1	CYLINDER ASY., pitch (Refer to CYLINDER ASY. for components) (Use with BUSHING 240435)
38	1019200-3	1	MOUNT ASY.
	0920415-7	2	CAPSCREW, 3/8NC x 1-1/4
	0916965-7	2	LOCKWASHER, 3/8
	0916950-9	2	NUT, 3/8NC
-	1019924-8	1	DECAL, operation (Not illustrated)

714B & 715B TRACTORS
HYDRAULIC SYSTEM

CONTROL VALVE
714B LOADER
3-POINT HITCH



714B & 715B TRACTORS
HYDRAULIC SYSTEM

181

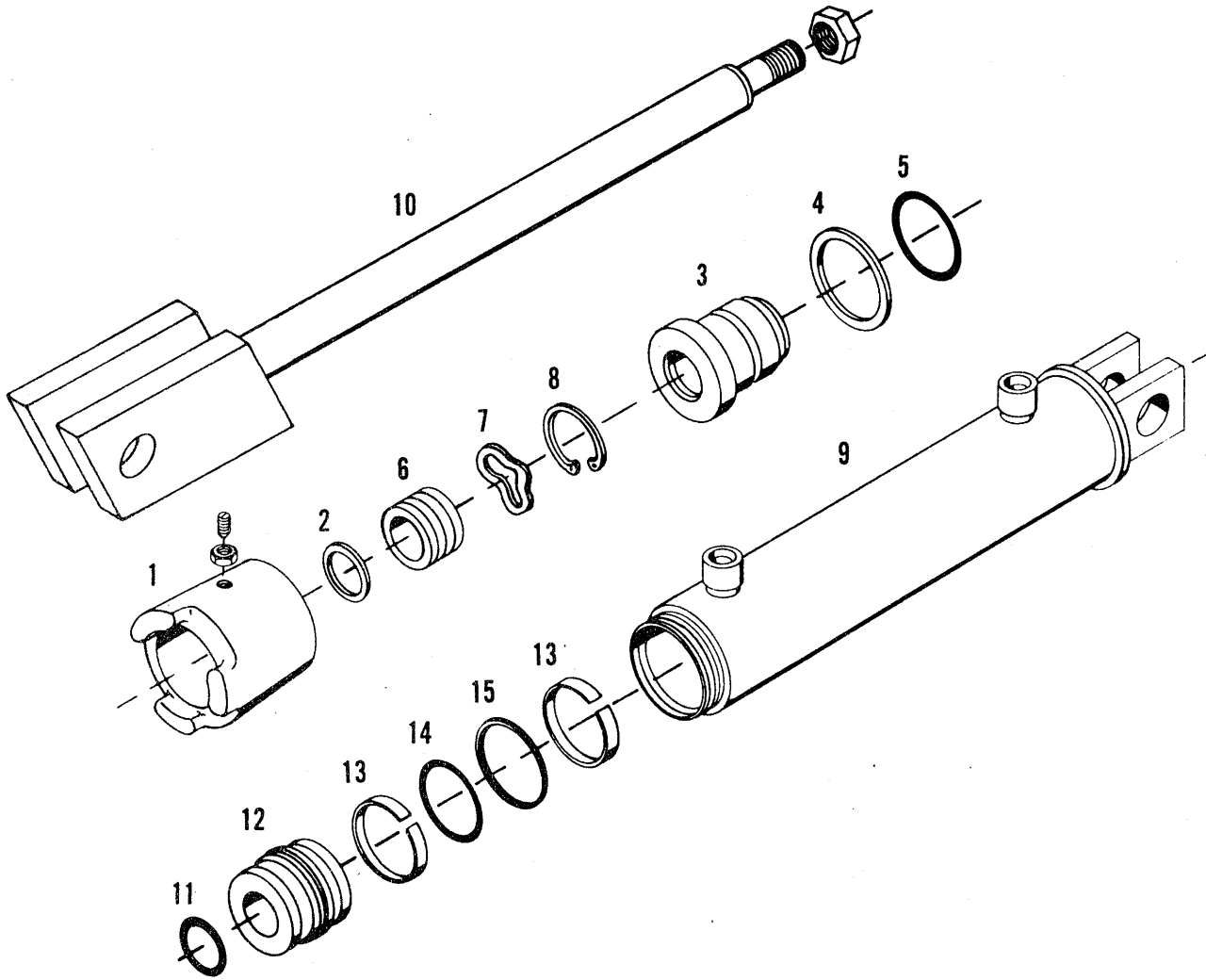
CONTROL VALVE
714B LOADER
3-POINT HITCH

ITEM	NUMBER	QTY.	DESCRIPTION
-	1018672-4	1	VALVE ASY., control
1	1019103-9	1	COVER ASY., inlet
2	1018638-5	3	SECTION, 4-way
3	1018636-9	1	SECTION, 4-way w/ float
4	1015353-4	1	COVER ASY., outlet
5	2019025-2	3	STUD
6	0914929-5	3	NUT
7	-----	10	+ O-RING
8	-----	10	+ O-RING
9	1018627-8	1	CARTRIDGE, main relief (2450 PSI)
10	-----	1	+ O-RING, seal
11	-----	1	+ WASHER, backup
12	-----	1	+ O-RING, seal
13	-----	4	HOUSING (Serviced in SECTION ASY. only)
14	-----	4	SPOOL, 4-way/float (Serviced in SECTION ASY. only)
15	-----	7	+ O-RING, seal
16	-----	6	+ WASHER, backup
17	-----	1	SEAL
18	1018637-7	1	POSITIONER, float
19	1018630-2	3	POSITIONER, 4-way
20	1015351-8	4	BOOT KIT (Incl. Items 21 thru 26)
21	-----	4	+ BREATHER
22	-----	8	+ SCREW
23	-----	4	+ RETAINER
24	-----	4	+ BOOT
25	-----	4	+ PIN
26	-----	4	+ PIN, cotter
27	1010506-2	6	CHECK ASY.
28	1016920-9	1	VALVE ASY., relief, w/ anti-cav. (2700 PSI)
29	1010489-1	1	VALVE ASY., relief, circuit (900 PSI)
30	-----	8	+ O-RING, relief
31	-----	8	+ WASHER, backup relief
32	-----	8	+ O-RING, relief
33	1019104-7	1	ACTUATOR KIT (Incl. Items 36 thru 40, 48, 49 & 50)
34	1019105-4	1	CONTROL KIT, flow (Incl. Items 41 thru 47)
35	1019106-2	1	SEAL KIT (Incl. Items 46 thru 50)
36	-----	1	KNOB
37	-----	1	ADJUSTER, flow
38	-----	4	SCREW
39	-----	4	LOCKWASHER
40	-----	1	CAP, control
41	-----	1	SPRING, control
42	-----	1	COLLAR
43	-----	1	PISTON
44	-----	1	SLEEVE, metering
45	-----	1	GUIDE, sleeve
46	-----	1	WASHER, backup
47	-----	1	SEAL, o-ring
48	-----	1	SEAL, o-ring
49	-----	1	SEAL, o-ring
50	-----	1	WASHER, backup
51	0921204-4	2	PLUG (Incl. O-RING)
52	0921206-9	2	O-RING
-	1010508-8	5	SEAL KIT (Incl. Items 7, 8, 15 & 16)
-	1010510-4	8	SEAL KIT (Incl. Items 30, 31 & 32)
-	1018629-4	1	SEAL KIT (Incl. Items 10, 11 & 12)

+ Included in SEAL KITS

714B & 715B TRACTORS
HYDRAULIC SYSTEM

LIFT CYLINDER
714B LOADER
3-POINT HITCH



714B & 715B TRACTORS
HYDRAULIC SYSTEM

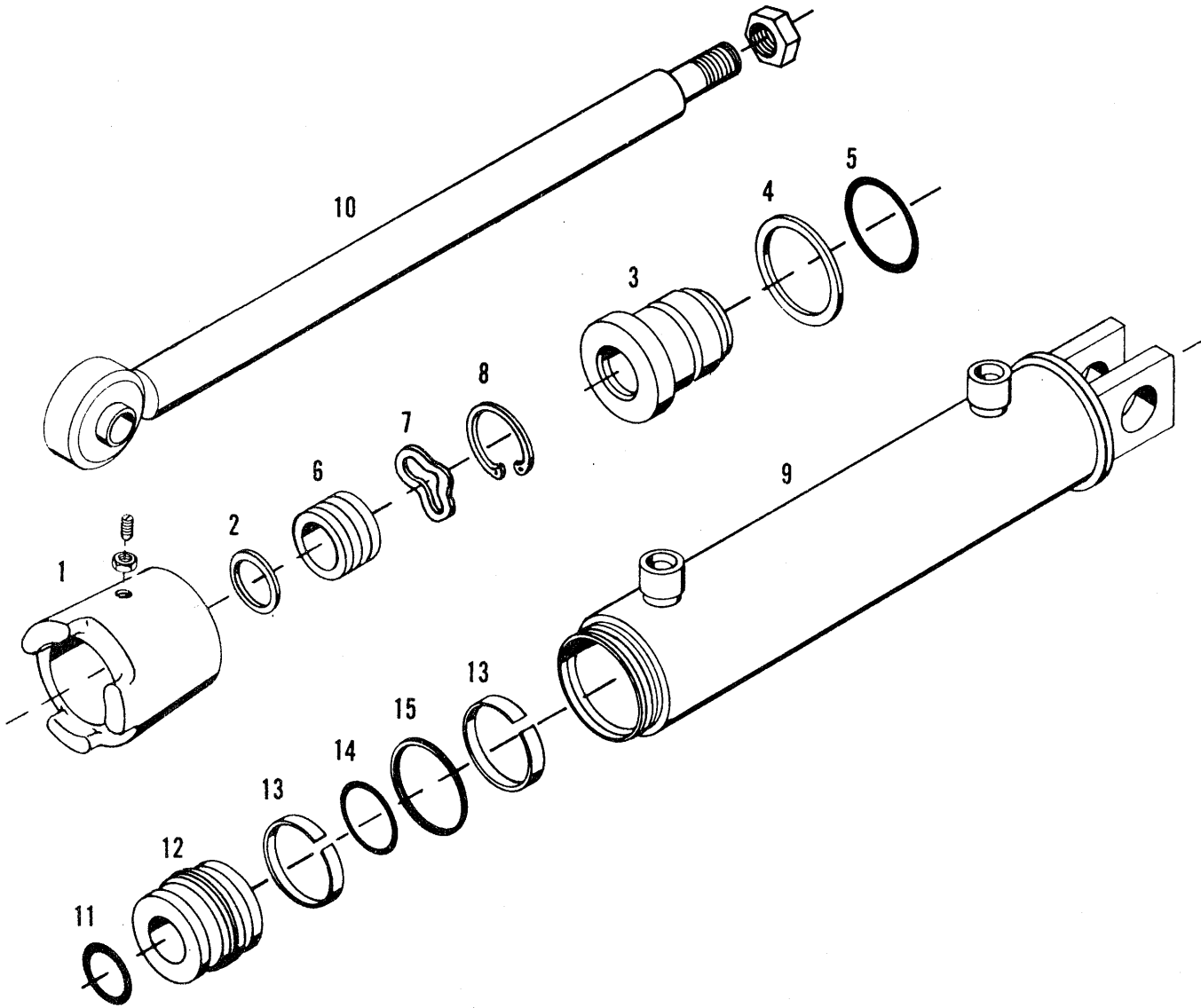
183

LIFT CYLINDER
714B LOADER
3-POINT HITCH

ITEM	NUMBER	QTY.	DESCRIPTION
—	1019525-3	1	CYLINDER ASY., lift (Incl. Items 1 thru 16)
1	1008372-3	1	RING, flange
	0907675-3	1	SETSCREW, socket
	0911325-9	1	NUT, jam, 1/4NC
2	-----	1	RING, wiper (Serviced in REPAIR KIT 1000974)
3	1000970-2	1	HEAD, cylinder
4	0926623-0	1	WASHER, backup
5	0923814-8	1	O-RING
6	1000495-0	1	PACKING, vee
7	1000485-1	1	RING, wavy
8	0925993-8	1	RING, retaining
9	1019530-3	1	TUBE ASY., cylinder
10	1018794-6	1	ROD ASY., piston
	0921343-0	1	NUT, lock, 3/4NC
11	0923649-8	1	O-RING
12	1000971-0	1	PISTON
13	2017479-3	2	RING, wear
14	0923684-5	1	O-RING, seal
15	0931894-0	1	SEAL, piston
—	1000974-4	1	REPAIR KIT, seal (Incl. Items 2, 4, 5, 6, 12, 14, 15 & 16)

714B & 715B TRACTORS
HYDRAULIC SYSTEM

TILT CYLINDER
714B LOADER
3-POINT HITCH



714B & 715B TRACTORS
HYDRAULIC SYSTEM

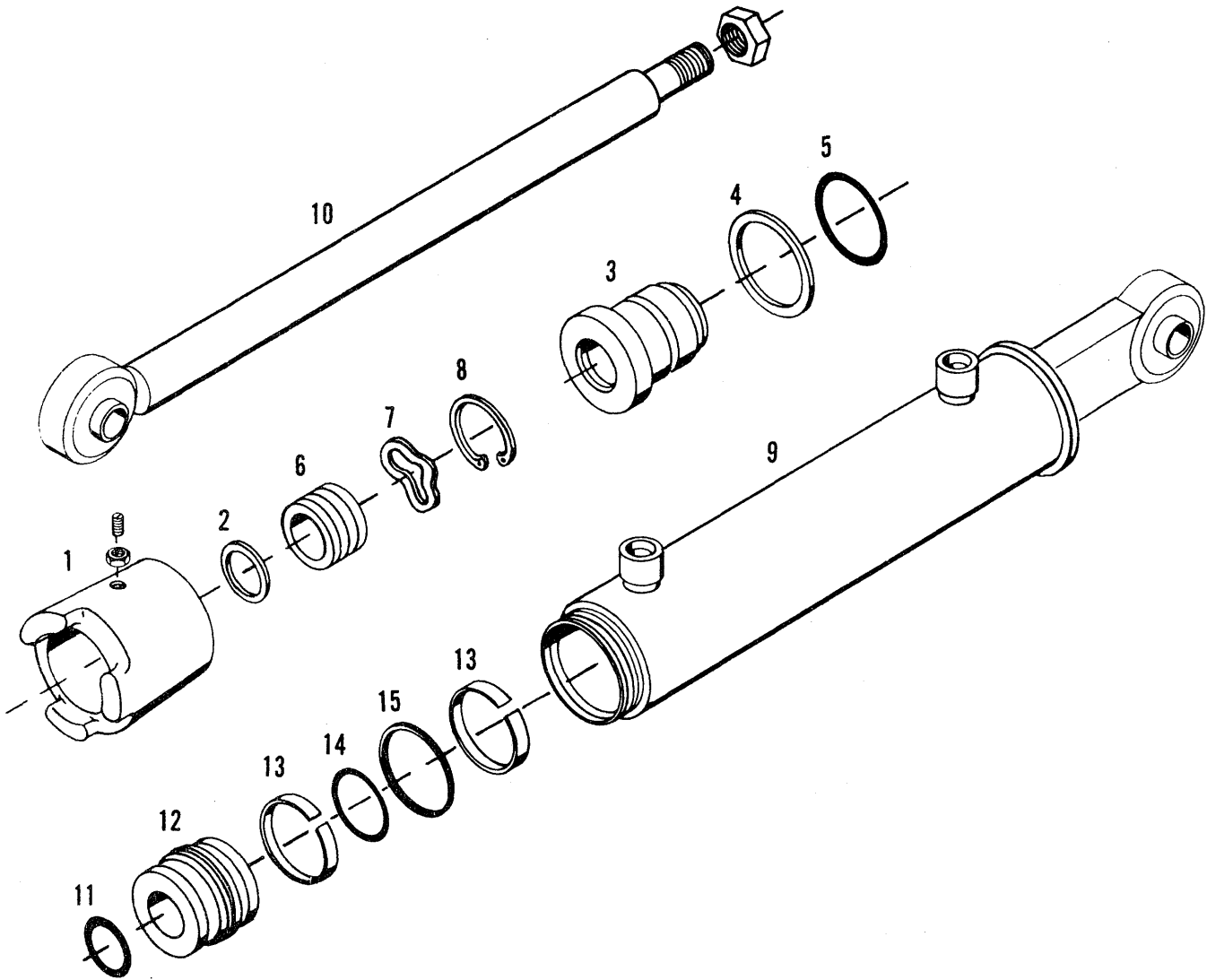
185

TILT CYLINDER
714B LOADER
3-POINT HITCH

ITEM	NUMBER	QTY.	DESCRIPTION
-	1018690-6	1	CYLINDER ASY., tilt (Incl. Items 1 thru 15)
1	1008372-3	1	RING, flange
	0907675-3	1	SETScrew, socket
	0911325-9	1	NUT, jam, 1/4NC
2	-----	1	RING, wiper (Serviced in REPAIR KIT 1000974)
3	1000970-2	1	HEAD, cylinder
4	0926623-0	1	WASHER, backup
5	0923814-8	1	O-RING
6	1000495-0	1	PACKING, vee
7	1000485-1	1	RING, wavy
8	0925993-8	1	RING, retaining
9	1018688-0	1	TUBE ASY., cylinder
10	1018679-9	1	ROD ASY., piston
	0921343-0	1	NUT, lock, 3/4NC
11	0923649-8	1	O-RING
12	1000971-0	1	PISTON
13	2017479-3	2	RING, wear
14	0923684-5	1	O-RING, seal
15	0931894-0	1	SEAL, piston
-	1000974-4	1	REPAIR KIT, seal (Incl. Items 2, 4, 5, 6, 11, 13, 14 & 15)

714B & 715B TRACTORS
HYDRAULIC SYSTEM

PITCH CYLINDER
714B LOADER - 3-POINT HITCH



714B & 715B TRACTORS
HYDRAULIC SYSTEM

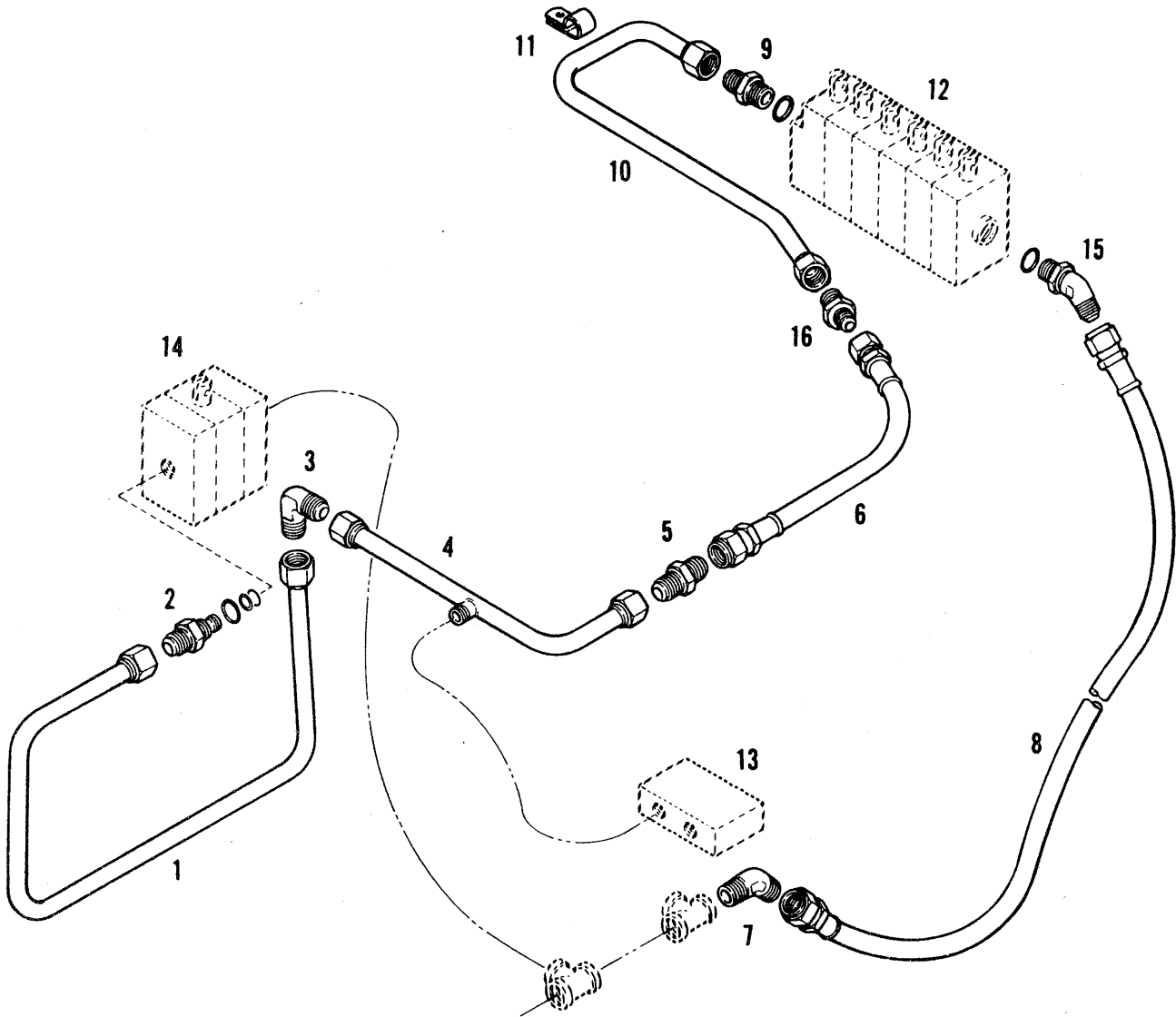
187

PITCH CYLINDER
714B LOADER - 3-POINT HITCH

ITEM	NUMBER	QTY.	QTY.	DESCRIPTION
		.	**	
+	1018674-0	1	0	CYLINDER ASY., pitch (Incl. Items 1 thru 15) (Use CYL. ASY. 1019528 plus BUSHING 240235)
-	1019528-7	0	1	CYLINDER ASY., pitch (Incl. Items 1 thru 15)
1	1008372-3	1	1	RING, flange
	0907675-3	1	1	SCREW, set, socket
	0911325-9	1	1	NUT, jam, 1/4NC
2	-----	1	1	RING, wiper (Serviced in REPAIR KIT 1000974)
3	1000970-2	1	1	HEAD, cylinder
4	0926623-0	1	1	WASHER, backup
5	0923814-8	1	1	O-RING
6	1000495-0	1	1	PACKING, vee
7	1000485-1	1	1	RING, wavy
8	0925993-8	1	1	RING, retaining
9	1019529-5	1	1	TUBE ASY., cylinder
10	1018679-9	1	0	ROD ASY., piston
	1019515-4	0	1	ROD ASY., piston
	0921343-0	1	1	NUT, lock, 3/4NC
11	0923649-8	1	1	O-RING
12	1000971-0	1	1	PISTON
13	2017479-3	2	2	RING, wear
14	0923684-5	1	1	O-RING, seal
15	0931894-0	1	1	SEAL, piston
-	1000974-4	1	1	REPAIR KIT, seal (Incl. Items 2, 4, 5, 6, 11, 13, 14 & 15)

714B & 715B TRACTORS
HYDRAULIC SYSTEM

BACKHOE TO LOADER HYDRAULICS
714B



714B & 715B TRACTORS
HYDRAULIC SYSTEM

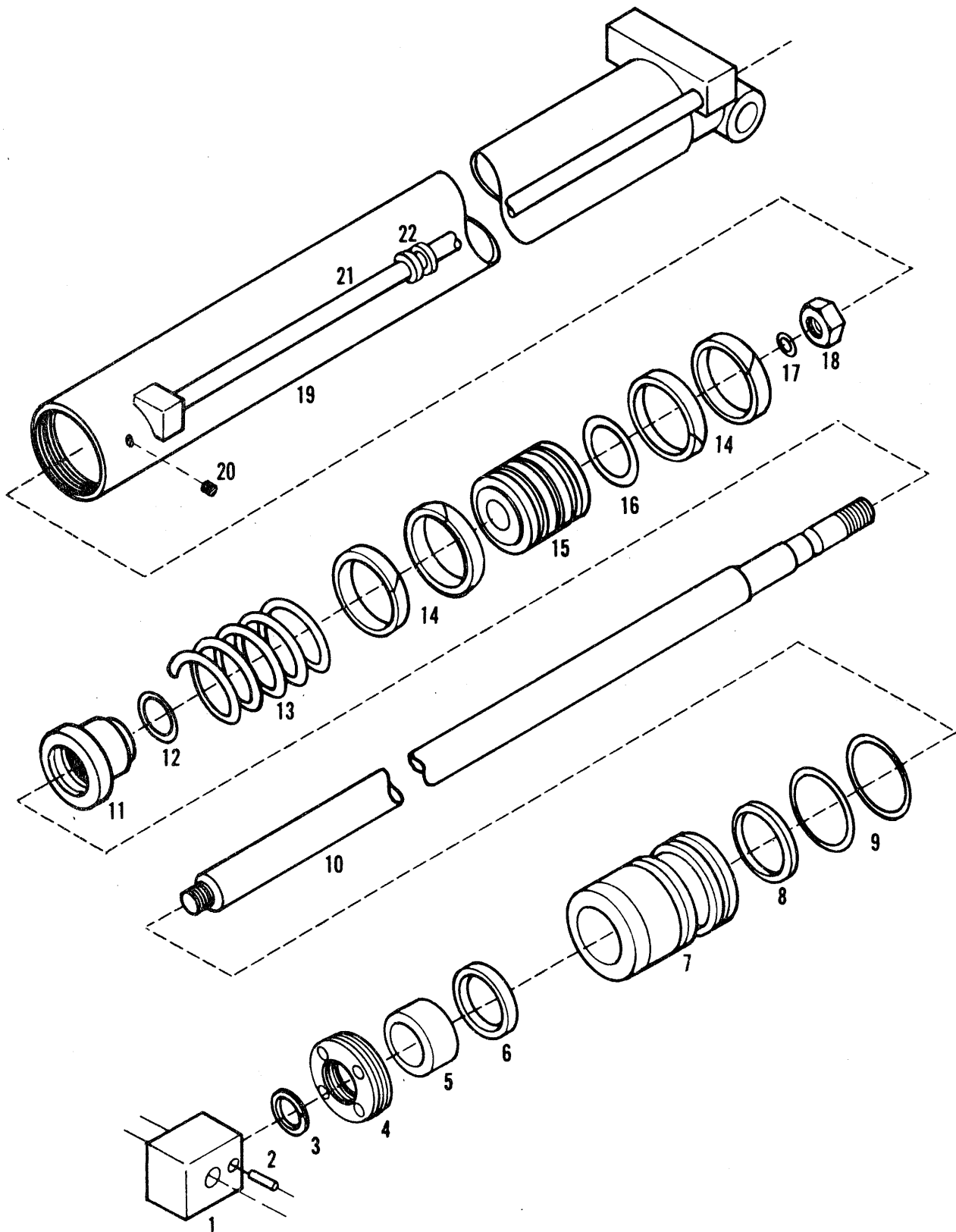
189

BACKHOE TO LOADER HYDRAULICS
714B

ITEM	NUMBER	QTY.	DESCRIPTION
1	1016930-8	1	TUBE ASY., loader valve pressure beyond line
2	1015355-9	1	ADAPTER, power beyond
	1015356-7	1	SEAL KIT, adapter
	0921886-8	1	O-RING
	0923842-9	1	O-RING
	0931584-7	1	WASHER, backup
3	0921991-6	1	FITTING, elbow, 90°
4	1018791-2	1	TUBE ASY., inlet hose to elbow
5	0919268-3	1	UNION, tube to pipe
6	1016922-5	1	HOSE ASY., inlet
7	0920693-9	1	FITTING, elbow, 45° male
8	1018792-0	1	HOSE ASY., tee to backhoe valve
9	0921228-3	1	FITTING, tube connector, st. (Incl. O-RING)
	0921214-3	1	O-RING
10	1019218-5	1	TUBE ASY., inlet
11	0925621-5	1	CLAMP, inlet tube
12	1019225-0	1	VALVE ASY., backhoe (Refer to BACKHOE VALVE ASY. for components)
13	1017266-6	1	VALVE, priority
14	1018623-7	1	VALVE ASY., loader (Refer to LOADER VALVE ASY. for components)
15	0921215-0	1	FITTING, tube connector, 45° (Incl. O-RING)
	0921214-3	1	O-RING
16	0935047-1	1	UNION, reducer

714B & 715B TRACTORS
HYDRAULIC SYSTEM

CYLINDER ASY.
EXTENSION



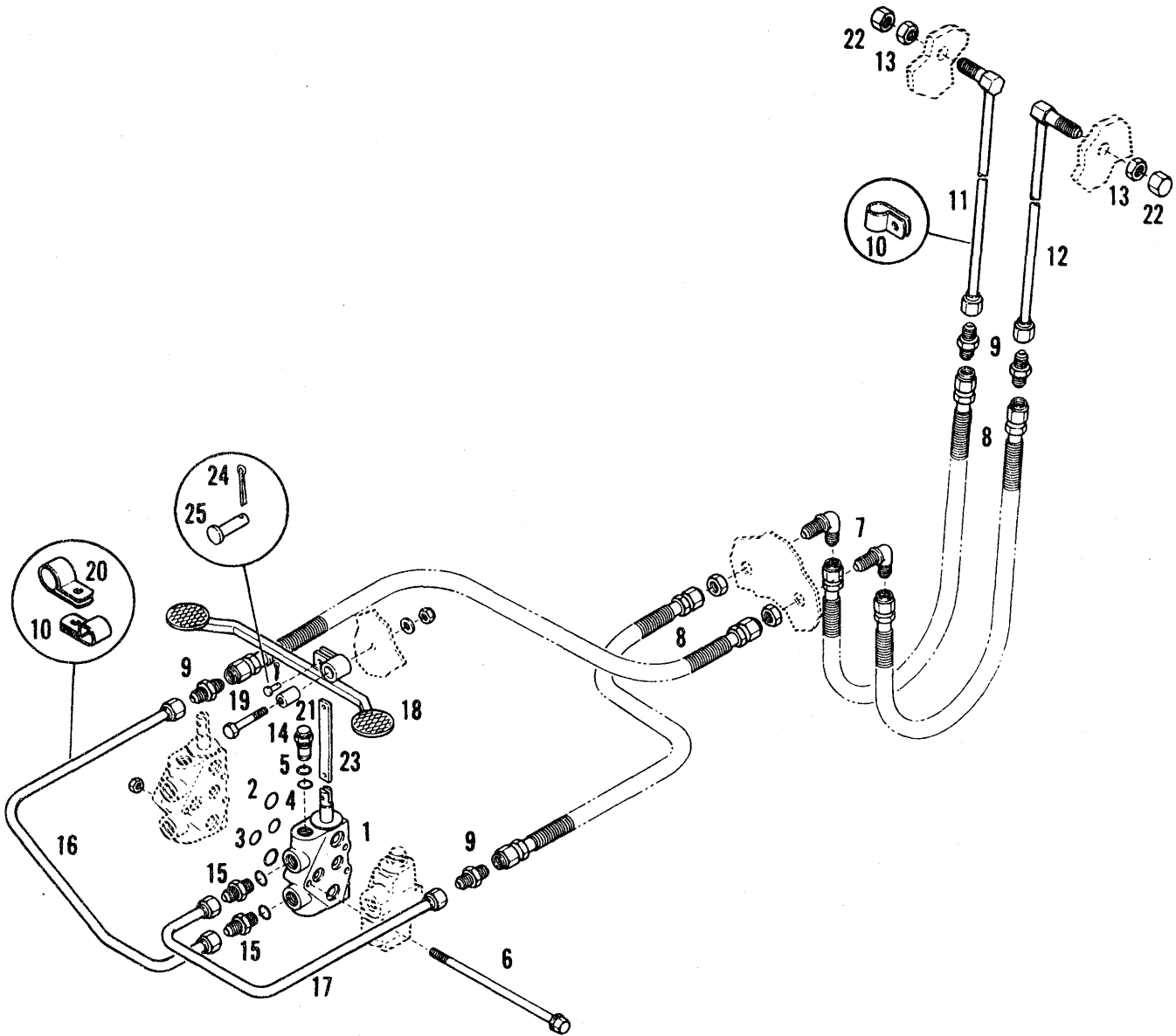
714B & 715B TRACTORS
HYDRAULIC SYSTEM

191

CYLINDER ASY.
EXTENSION

ITEM	NUMBER	QTY.	DESCRIPTION
-	1019059-3	-	CYLINDER ASY., extension (Incl. Items 1 thru 22)
1	1019077-5	1	CLEVIS
2	-----	1	PIN, roll (Serviced in SEAL KIT 1019078)
3	-----	1	WIPER (Serviced in SEAL KIT 1019078)
4	1019076-7	1	RING, lock/gland
5	-----	1	BEARING, (Serviced in SEAL KIT 1019078)
6	-----	1	SEAL, rod
7	1019075-9	1	GLAND, packing
8	-----	1	RING, backup (Serviced in SEAL KIT 1019078)
9	-----	2	O-RING, gland (Serviced in SEAL KIT 1019078)
10	1019070-0	1	ROD, cylinder
11	1019073-4	1	CUSHION
12	-----	1	O-RING, cushion (Serviced in SEAL KIT 1019078)
13	1019072-6	1	SPRING, cushion
14	-----	4	RING, cast iron (Serviced in SEAL KIT 1019079)
15	1019071-8	1	PISTON
16	-----	1	O-RING, piston O.D.
17	-----	1	O-RING, piston I.D.
18	0914488-2	1	NUT, lock, 7/8NF
19	1019069-2	1	BARREL ASY.
20	-----	1	SCREW, set, nylon (Serviced in SEAL KIT 1019078)
21	-----	1	TUBE, barrel asy. (Not serviced)
22	1019074-2	1	GUARD, tube
-	1019078-3	1	SEAL KIT (Incl. Items 2, 3, 8, 9, 12 & 20)
-	1019079-1	1	SEAL KIT (Incl. Items 5, 14 & SEAL KIT 1019078)

AUXILIARY BACKHOE HYDRAULICS



714B & 715B TRACTORS
HYDRAULIC SYSTEM

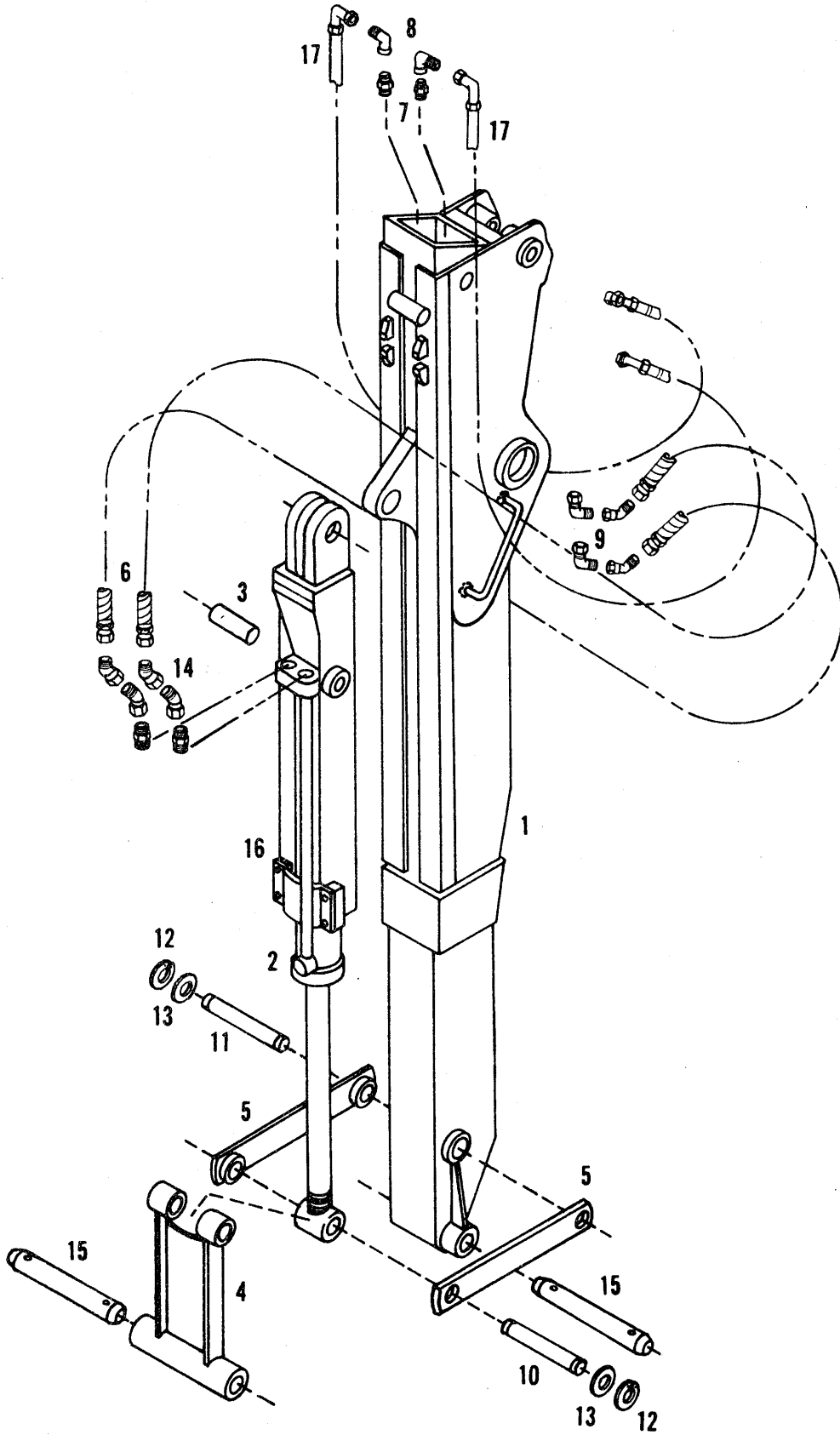
193

AUXILIARY BACKHOE HYDRAULICS

ITEM	NUMBER	QTY.	DESCRIPTION
1	1018625-2	1	SECTION, valve
2	0924191-0	2	O-RING
3	0923562-3	2	O-RING
4	0923946-8	2	O-RING
5	1010486-7	2	RING, backup
6	1018639-3	3	BOLT
	0914929-5	3	NUT, 3/8NF
7	1002675-5	2	ELBOW, bulkhead
8	1008250-1	2	HOSE ASY.
9	0921368-7	4	UNION, 7/8NC
10	0928656-8	4	CLAMP, tube, 5/8
11	1010979-1	1	TUBE ASY., boom, L.H.
12	1010980-9	1	TUBE ASY., boom, R.H.
13	0919620-5	2	NUT, lock
14	1010515-3	2	VALVE, relief (2500 PSI)
15	0923080-6	2	CONNECTOR
16	1012546-6	1	TUBE ASY.
17	1012544-1	1	TUBE ASY.
18	1018010-7	1	PEDAL ASY.
19	0921972-6	1	CAPSCREW, 3/8NC x 2-1/2
20	0925621-5	1	CLAMP (1")
21	1008980-3	1	BUSHIN, 3/8 I.D. x 1-1/4 long
22	0923002-0	2	CAP
23	1018009-9	1	LINK
24	0917644-7	2	PIN, clevis, 1/4
25	0923360-2	2	PIN, cotter
26	1018036-2	1	TUBE ASY., swing valve to tee (Shown in SUCTION & RETURN LINES group)

714B & 715B TRACTORS
HYDRAULIC SYSTEM

AUXILIARY HYDRAULICS
EXTENDABLE DIPPERSTICK



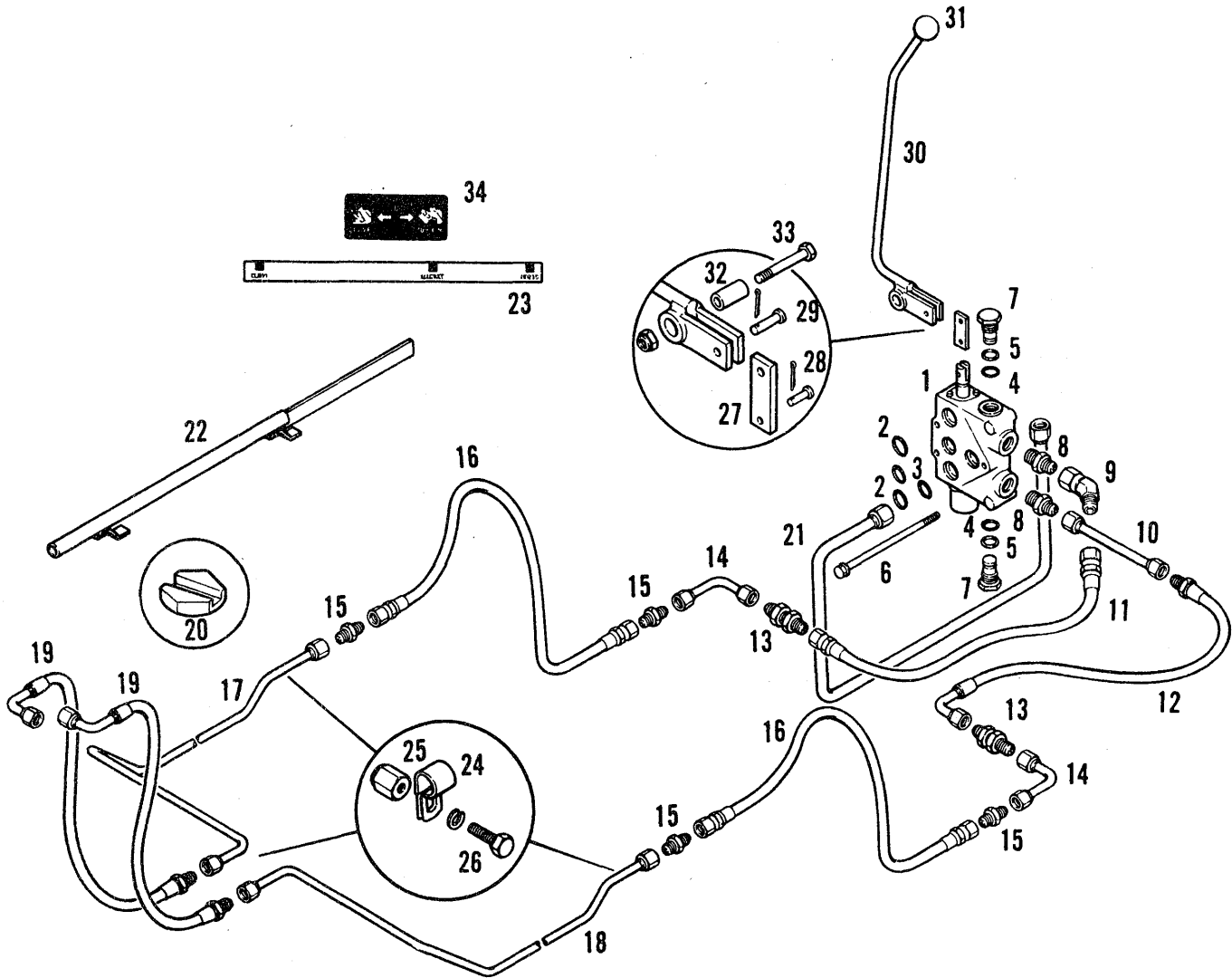
714B & 715B TRACTORS
HYDRAULIC SYSTEM

195

AUXILIARY HYDRAULICS
EXTENDABLE DIPPERSTICK

ITEM	NUMBER	QTY.	DESCRIPTION
1	1016242-8	1	DIPPERSTICK ASY. (Service by components)
2	1000085-9	1	CYLINDER ASY., bucket
3	1008245-1	1	PIN, cylinder base end
4	1008239-4	1	LINK ASY., bucket
5	1008235-2	2	LINK ASY., guide
6	1015511-7	2	HOSE ASY., bucket cylinder
7	0921326-5	2	CONNECTOR (Incl. O-RING)
	0921205-1	2	O-RING
8	0921325-7	2	ELBOW, swivel, 90°
9	0924198-5	4	ELBOW, swivel, 45°
10	1012351-1	1	PIN, cylinder rod end
11	1008243-6	1	PIN, guide link pivot
12	0928179-1	6	RING, retaining
13	0922679-6	6	WASHER, flat
14	0922472-6	2	FITTING, ell, 90°
15	1043086-6	2	PIN, bucket
16	0916423-7	2	CAPSCREW, 1/2NC x3
	0915315-6	2	NUT, lock, 1/2NC
17	1015510-9	2	HOSE ASY., extension, cylinder
18	1019927-1	1	BRACKET, hose support (Not illustrated)
19	1019928-9	2	GUIDE, hose
20	0922679-6	4	WASHER

AUXILIARY LOADER HYDRAULICS



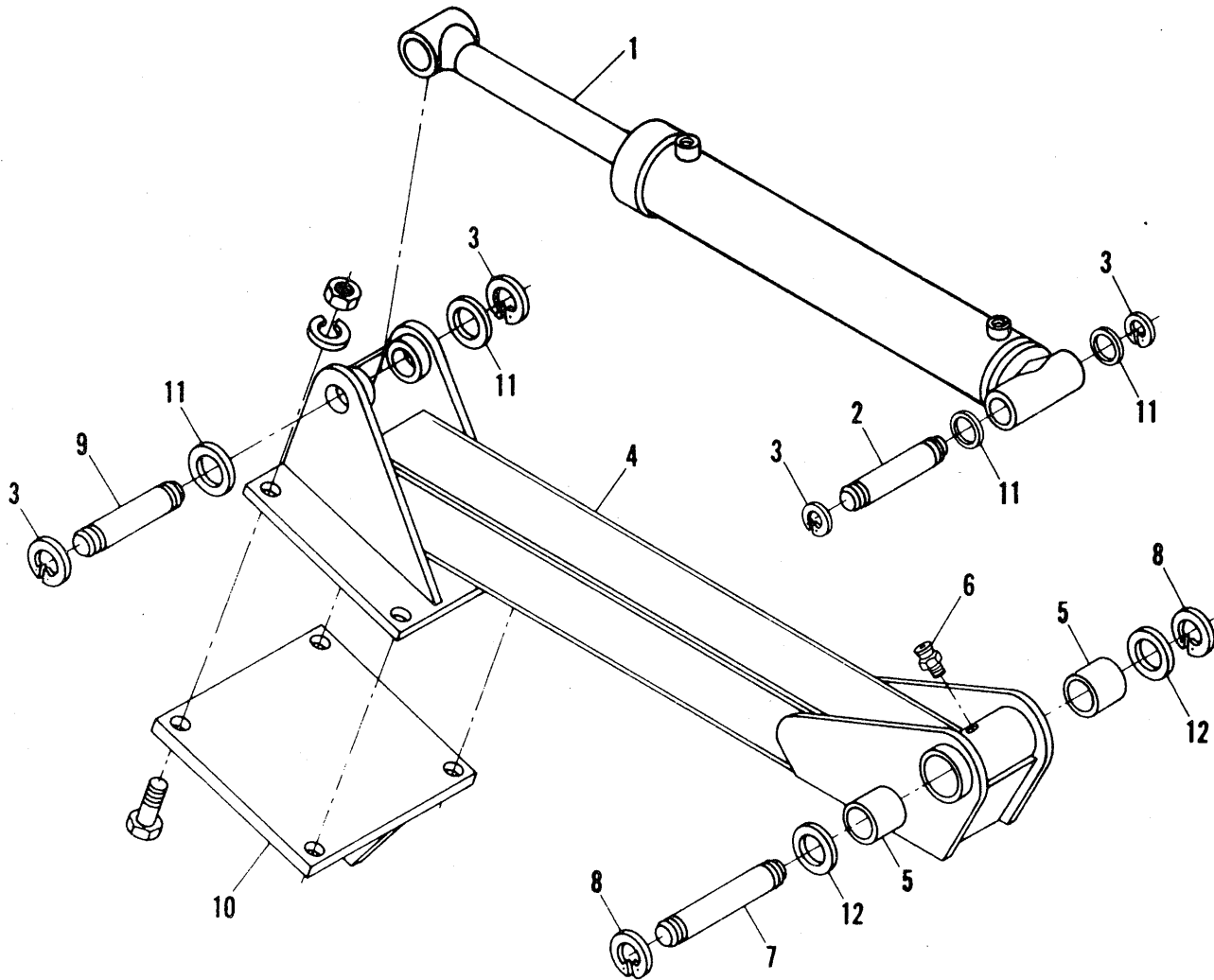
714B & 715B TRACTORS
HYDRAULIC SYSTEM

197

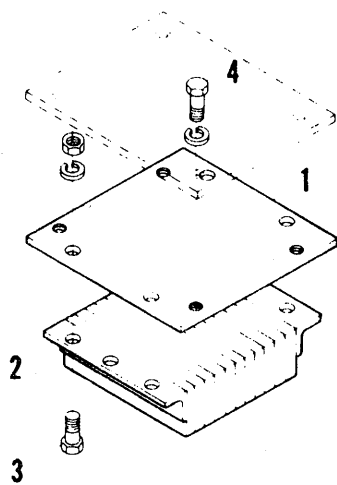
AUXILIARY LOADER HYDRAULICS

ITEM	NUMBER	QTY.	DESCRIPTION
1	1018638-5	1	SECTION, valve
	1018668-2	1	DETENT, positioner
2	0924191-0	2	O-RING
3	0923562-3	2	O-RING
4	0923946-8	2	O-RING
5	1010486-7	2	RING, backup
6	4907310-9	3	STUD
	0914929-5	3	NUT, 3/8NF
7	1010515-3	2	RELIEF VALVE, circuit (2500 PSI)
8	0923717-3	2	FITTING, 3/8NC x 3/4 (Incl. O-RING)
	0921205-1	2	O-RING
9	0925018-4	1	FITTING 45° swivel
10	1018378-8	1	TUBE ASY., bottom port on section
11	1009518-0	1	HOSE ASY.
12	1016929-0	1	HOSE ASY.
13	0927261-8	2	FITTING, bulkhead, 3/4NC (Incl. NUT)
	0923412-1	2	NUT
14	1012464-2	2	TUBE ASY., hydraulic
15	0919066-1	4	UNION, 3/4NC
16	1014749-4	2	HOSE ASY.
17	1018366-3	1	TUBE ASY., hyd., R.H.
18	1018367-1	1	TUBE ASY., hyd., L.H.
19	1016928-2	2	HOSE ASY.
20	1014475-6	2	PLATE, orifice
21	1016911-8	1	TUBE ASY.
22	1018369-7	1	GAUGE ASY., sight
23	1018374-7	1	DECAL, sight gauge
24	0925617-3	4	CLAMP
25	0646631-2	4	NUT, welded, 3/8NC
26	0921210-1	4	CAPSCREW, 3/8NC x 1
	0916965-7	4	LOCKWASHER, 3/8
27	1008840-9	1	LINK, handle
28	0917644-7	1	PIN, 1/4
	0904020-5	1	PIN, cotter
29	0923087-1	1	PIN, 3/8
	0918448-2	1	PIN, cotter
30	1016858-1	1	LEVER ASY., handle
31	1009059-5	1	KNOB
32	1008980-3	1	BUSHING, 3/8 I.D. x 1-1/4 long
33	0922130-0	1	CAPSCREW, 3/8NC x 2-1/4
	0919439-0	1	NUT, lock, 3/8NC
34	1018376-2	1	DECAL, handle

STABILIZER PAD & STABILIZER CYLINDER



STABILIZER STREET PAD



714B & 715B TRACTORS
BACKHOE

199

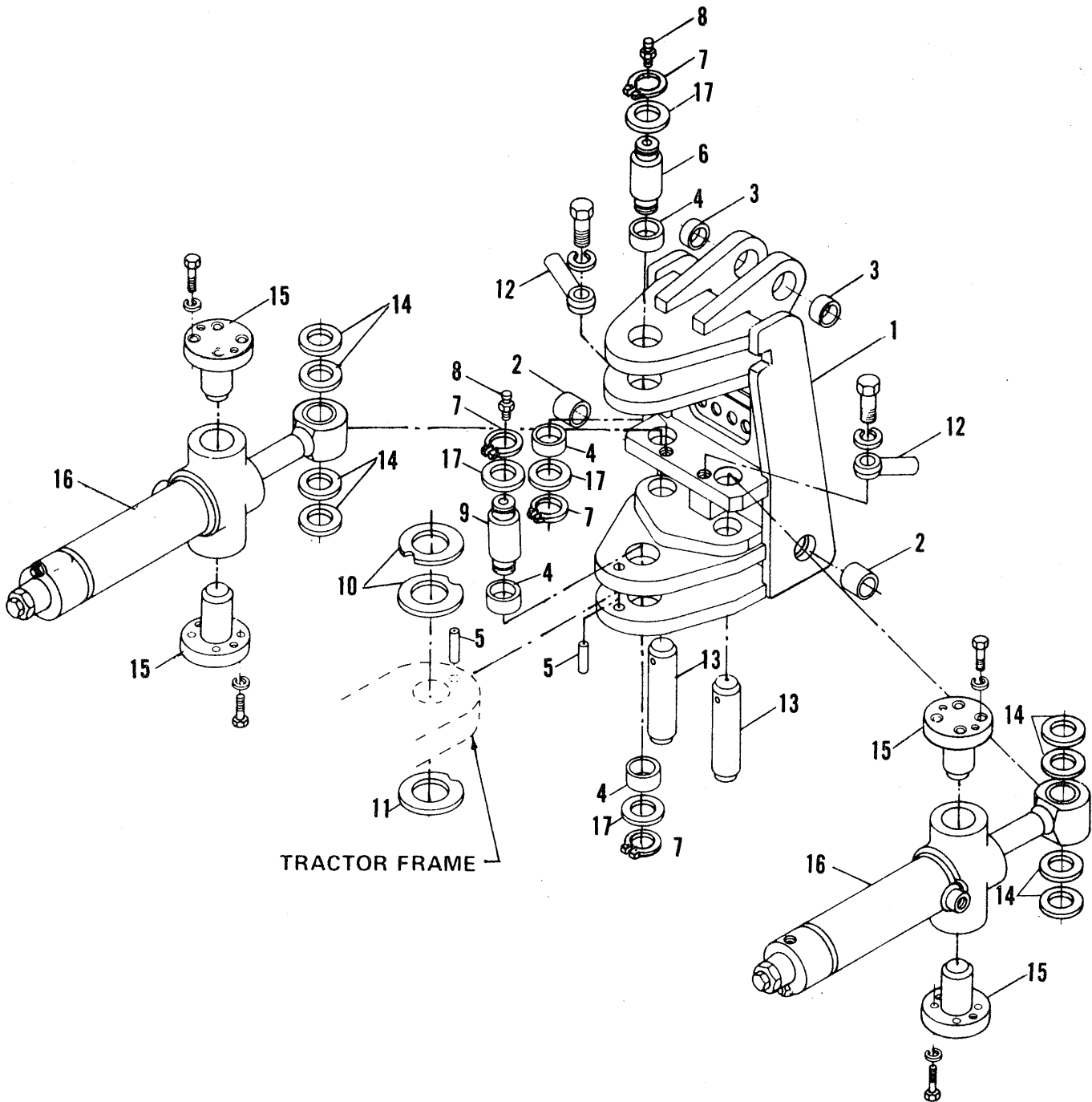
STABILIZER PAD & STABILIZER CYLINDER

ITEM	NUMBER	QTY.	DESCRIPTION
1	1017248-4	2	CYLINDER ASY., stabilizer (Refer to STABILIZER CYL. ASY. for components)
2	1008243-6	2	PIN, stabilizer cylinder base
3	0928179-1	8	RING, snap
4	1008127-1	2	STABILIZER ASY. (Each ASY. incl. 1 of Item 6 & 2 of Item 5)
5	1004100-2	4	BUSHING
6	0922887-5	2	FITTING, grease
7	1008139-6	2	PIN, pivot, stabilizer
8	2019582-2	4	RING, snap
9	1008140-4	2	PIN, stabilizer cylinder rod
10	1008134-7	2	PAD ASY., stabilizer
	0913105-3	8	CAPSCREW, 1/2NF x 1-1/2
	0916966-5	8	LOCKWASHER, 1/2
	0919423-4	8	NUT, 1/2NF
11	0922679-6	-	WASHER, 1-7/32 x 2-1/2 x No. 12
12	1001637-6	4	WASHER

STABILIZER STREET PAD

ITEM	NUMBER	QTY.	DESCRIPTION
1	1002266-3	2	PLATE, adapter
2	1000856-3	2	PAD, street
3	0923292-7	8	CAPSCREW, 3/4NC x 2
	0919332-7	8	LOCKWASHER, 3/4
	0913160-8	8	NUT, 3/4NC
4	0921176-4	8	CAPSCREW, 1/2NC x 1-1/4
	0916966-5	8	LOCKWASHER, 1/2

SWING FRAME & CYLINDERS



714B & 715B TRACTORS
BACKHOE

201

SWING FRAME & CYLINDERS

ITEM	NUMBER	QTY.	DESCRIPTION
1	1016620-5	1	SWING FRAME ASY., std. (Incls. Items 3, 4 & one of Item 5)
2	1001115-3	2	BUSHING
3	1004099-6	2	BUSHING
4	1008878-9	4	BUSHING
5	0930917-0	2	PIN, dowel
6	1008892-0	1	PIN, top
7	2019582-2	4	RING, snap
8	0922887-5	2	FITTING, grease
9	1008893-8	1	PIN, bottom
10	1008018-2	2	WASHER, thrust, 2.28 I.D. x 4-1/2 x 11/64
11	1010539-3	1	WASHER, wide rim
12	0918750-1	2	RETAINER, pin
	0923292-7	2	CAPSCREW, 3/4NC x 2
	0919332-7	2	LOCKWASHER, 3/4
13	1008165-1	2	PIN
14	1001637-6	*	WASHER, 2-1/64 I.D. x 3 x 10 Ga.
15	1015551-3	4	PIN, trunnion
	0921024-6	16	CAPSCREW, 1/2NC x 2
	0916966-5	16	LOCKWASHER, 1/2
16	1008181-8	2	CYLINDER ASY., swing (Refer to SWING CYLINDER ASY. for component parts)
17	1001637-6	4	WASHER, 2-1/64 I.D. x 3 x 10 Ga.

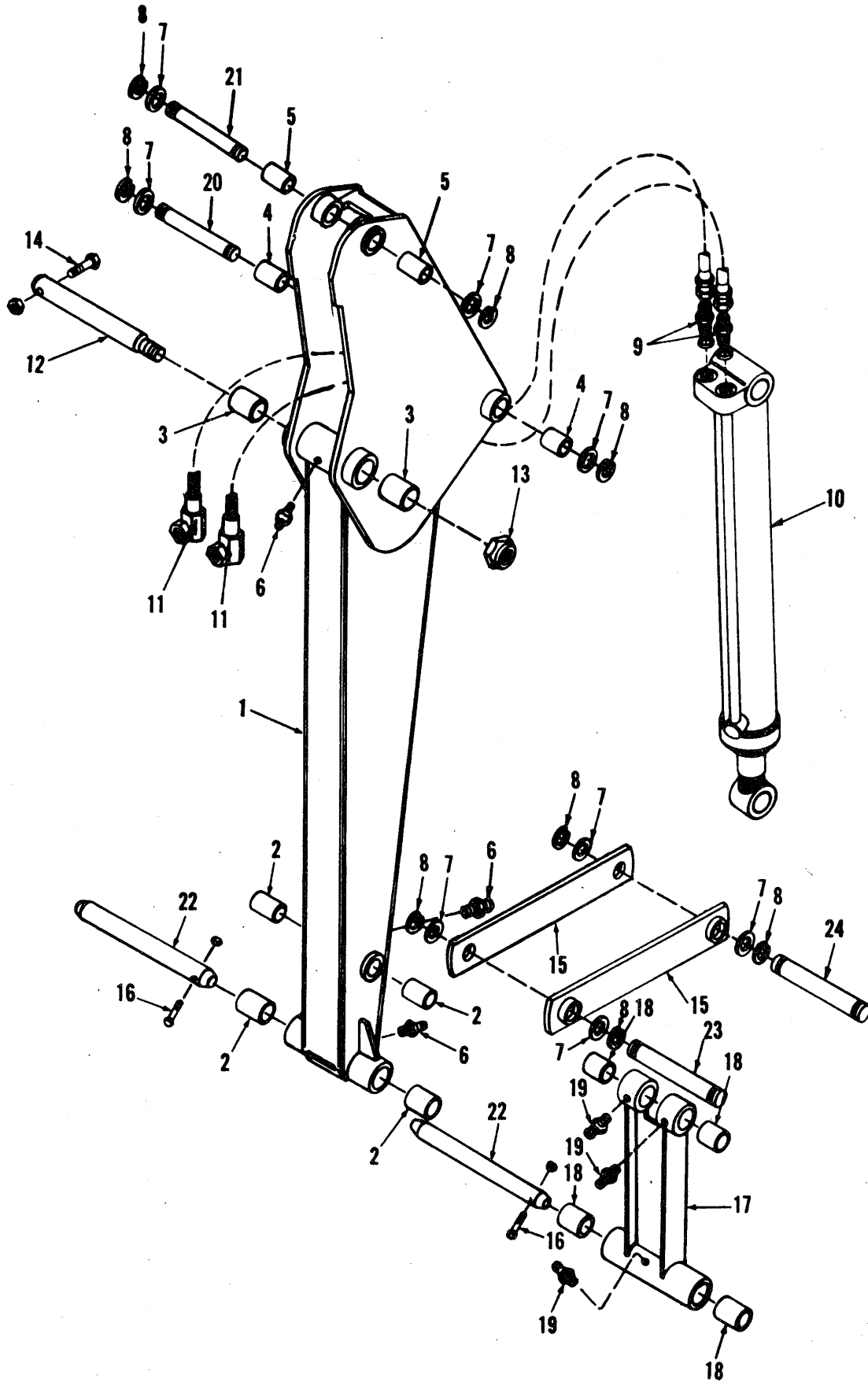
714B & 715B TRACTORS
BACKHOE

203

BOOM & HYDRAULICS

ITEM	NUMBER	QTY.	DESCRIPTION
1	1016912-6	1	BOOM ASY. (Std.) (Incl. Items 2 thru 5)
2	1004100-2	2	BUSHING (2 I.D. x 2-1/2 long)
3	9002032-2	1	FITTING, grease, 1/8 str. (Pkg. of 10)
4	2018393-5	2	BUSHING (1-1/2 I.D. x 2-1/2 long)
5	1004080-6	2	BUSHING (2 I.D. x 2 long)
6	1008257-6	1	PIN, boom pivot
7	2019582-2	6	RING, snap (2")
8	1008253-5	1	PIN, boom cylinder base
9	1008256-8	1	PIN, boom cylinder rod
10	1008243-6	1	PIN, dipper cylinder base
11	0928179-1	2	RING, snap (1-1/2")
	0922679-6	1	WASHER, 1-1/2 I.D. x 2-1/4 x 12 Ga.
12	-----	1	CYLINDER ASY., boom (Refer to BOOM ASY. for component parts)
13	-----	1	CYLINDER ASY., dipper (Refer to BOOM ASY. for component parts)
14	1008251-9	1	TUBE ASY., L.H.
	0919620-5	1	NUT, lock, 7/8NF
15	1008252-7	1	TUBE ASY., R.H.
	0919620-5	1	NUT, lock, 7/8NF
16	1001637-6	4	WASHER, 2-1/64 I.D. x 3 x 10 Ga.
17	0927154-5	2	CLAMP
18	0921985-8	2	CAPSCREW, 3/8NF x 1
	0914929-5	1	NUT, lock, 3/8NF
19	0921368-7	2	UNION
20	1008248-5	2	HOSE ASY., boom cylinder
21	1008249-3	2	HOSE ASY., dipper cylinder
22	1008250-1	2	HOSE ASY., bucket tube
23	0921326-5	4	CONNECTOR (Std. only) (Incl. O-RING)
	0921235-8	4	O-RING

DIPPERSTICK & HYDRAULICS

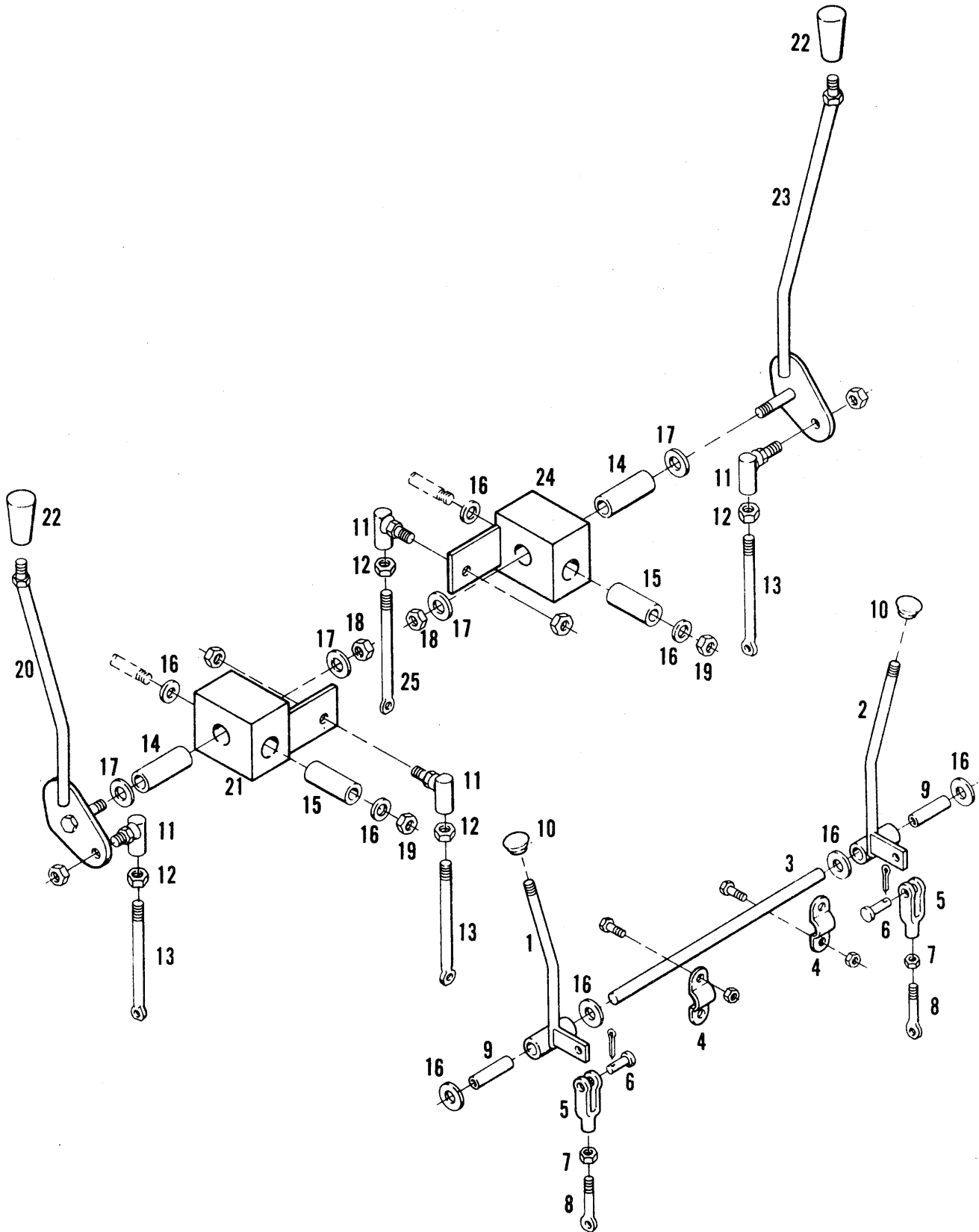


DIPPERSTICK & HYDRAULICS

ITEM	NUMBER	QTY.	DESCRIPTION
1	1016950-6	1	DIPPERSTICK ASY. (Incls. Items 2 thru 6) (Use 1018023) (For 14" - 7" ft. dig depth)
	1018023-0	1	DIPPERSTICK ASY. (Incls. Items 2 thru 6) (For 15 ft. dig depth)
	1019220-1	1	DIPPERSTICK ASY. (Incls. Items 2 thru 6) (For 14 ft. dig depth)
2	2018393-5	4	BUSHING (1-1/2 I.D. x 2-1/2 long)
3	1004100-2	2	BUSHING (2 I.D. x 2-1/2 long)
4	1001137-7	2	BUSHING (1-1/2 I.D. x 1-1/2 long)
5	2018402-4	2	BUSHING (1-1/2 I.D. x 1-15/16 long)
6	9002032-2	3	FITTING, grease, 1/8 str. (Pkg. of 10)
7	0922679-6	8	WASHER, 1-1/2 I.D. x 2-1/4 x 12 Ga.
8	0928179-1	8	RING, snap
9	0921326-5	2	CONNECTOR (Incl. O-RING)
	0921205-1	2	O-RING
10	-----	1	BUCKET CYLINDER (Refer to BUCKET CYLINDER ASY. for component parts)
11	2017948-7	2	HOSE ASY.
12	1008255-0	1	PIN, pivot, dipper
13	0917835-1	1	NUT, lock, 1-1/2NC
14	0919236-0	1	CAPSCREW, 1/2NF x 4
	0915315-6	1	NUT, lock, 1/2NF
15	1008235-2	2	GUIDE LINK ASY. (Incl. BUSHINGS)
	1004734-8	2	BUSHING
16	0921761-3	2	CAPSCREW, 1/2NF x 3-1/4
	0915315-6	2	NUT, lock, 1/2NF
17	1008239-4	1	BUCKET LINK ASY. (Incl. Items 18 & 19)
18	2018402-4	4	BUSHING (1-1/2 I.D. x 1-15/16 long)
19	9002032-2	2	FITTING, grease, 1/8 str. (Pkg. of 10)
20	1008245-1	1	PIN, bucket cylinder
21	1008140-4	1	PIN, dipper cylinder rod
22	1043086-6	2	PIN, bucket
	1019143-5	2	PIN ASY., 12" bucket
	0919089-3	2	CAPSCREW, 1/2NC x 1-3/4
	0922304-1	2	NUT, 1/2NC
23	1008243-6	1	PIN, guide link
24	1012351-1	1	PIN, guide link

714B & 715B TRACTORS
BACKHOE

CONTROLS
715B



714B & 715B TRACTORS
BACKHOE

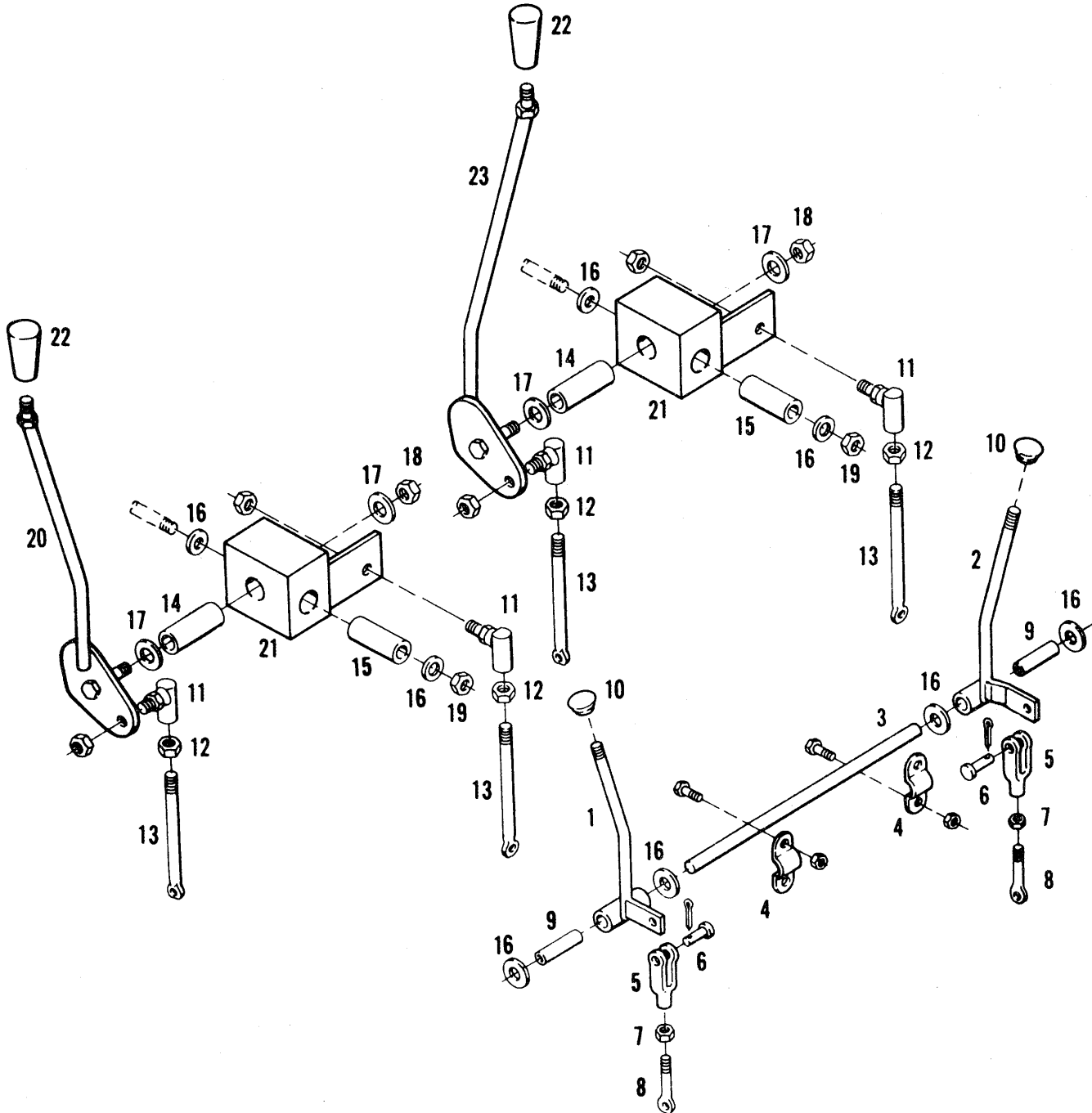
207

CONTROLS
715B

ITEM	NUMBER	QTY.	DESCRIPTION
1	1017316-9	1	LEVER, stabilizer, R.H.
2	1017315-1	1	LEVER, stabilizer, L.H.
3	1009055-3	1	SHAFT, lever pivot
4	1004339-6	2	CLAMP
5	0917663-7	2	YOKE
6	0923093-9	2	PIN, yoke
	0918448-2	2	PIN, cotter, 3/32 x 1
7	0920438-9	2	NUT, jam, 5/16NF
8	1017303-7	2	ROD, control
9	1009053-8	2	BUSHING
10	1009059-5	2	KNOB
11	0928219-5	4	JOINT, ball
	0924332-0	4	NUT, 3/8NF
12	0918403-7	4	NUT, jam, 3/8NF
13	1017301-1	3	ROD, control
14	1008980-3	2	BUSHING
15	1009265-8	2	BUSHING
16	0917379-0	8	WASHER, 1/2
17	0918266-8	4	WASHER, 3/8
18	0919439-0	2	NUT, 3/8NC
19	0922304-1	2	NUT, 1/2NC
20	1018714-4	1	LEVER ASY., R.H.
21	1009060-3	1	BLOCK, pivot, R.H.
22	2016374-7	2	HANDLE
23	1018713-6	1	LEVER ASY., L.H.
24	1016138-8	1	BLOCK, pivot, L.H.
25	1017302-9	1	ROD, control

714B & 715B TRACTORS
BACKHOE

CONTROLS
714B



714B & 715B TRACTORS
BACKHOE

209

CONTROLS
714B

ITEM	NUMBER	QTY.	DESCRIPTION
1	1017316-9	1	LEVER, stabilizer, R.H.
2	1019032-0	1	LEVER, stabilizer, L.H.
3	1009055-3	1	SHAFT, lever pivot
4	1004339-6	2	CLAMP
	0921210-1	4	CAPSCREW, 3/8NC x 1
	0919439-0	4	NUT, lock, 3/8NC, light
5	0917663-7	2	YOKE
6	0923093-9	2	PIN, yoke
	0918448-2	2	PIN, cotter, 3/32 x 1
7	0920438-9	2	NUT, jam, 5/16NF
8	1017303-7	2	ROD, control
9	1009053-8	2	BUSHING, 1/2 x 1-3/4
10	1009059-5	2	KNOB
11	0928219-5	4	JOINT, ball
	0924332-0	4	NUT, 3/8NF
12	0918403-7	4	NUT, jam, 3/8NF
13	1017301-1	4	ROD, control
14	1008980-3	2	BUSHING, 5/8 x 1-1/4
15	1009265-8	2	BUSHING, 1/2 x 2
16	0917379-0	8	WASHER, 1/2
17	0918266-8	4	WASHER, 3/8
18	0919439-0	2	NUT, 3/8NC
19	0922304-1	2	NUT, 1/2NC
20	1018714-4	1	LEVER ASY., R.H.
21	1009060-3	2	BLOCK, pivot, R.H.
22	2016374-7	2	GRIP, handle
23	1019227-6	1	LEVER ASY., L.H.

714B & 715B TRACTORS
BACKHOE

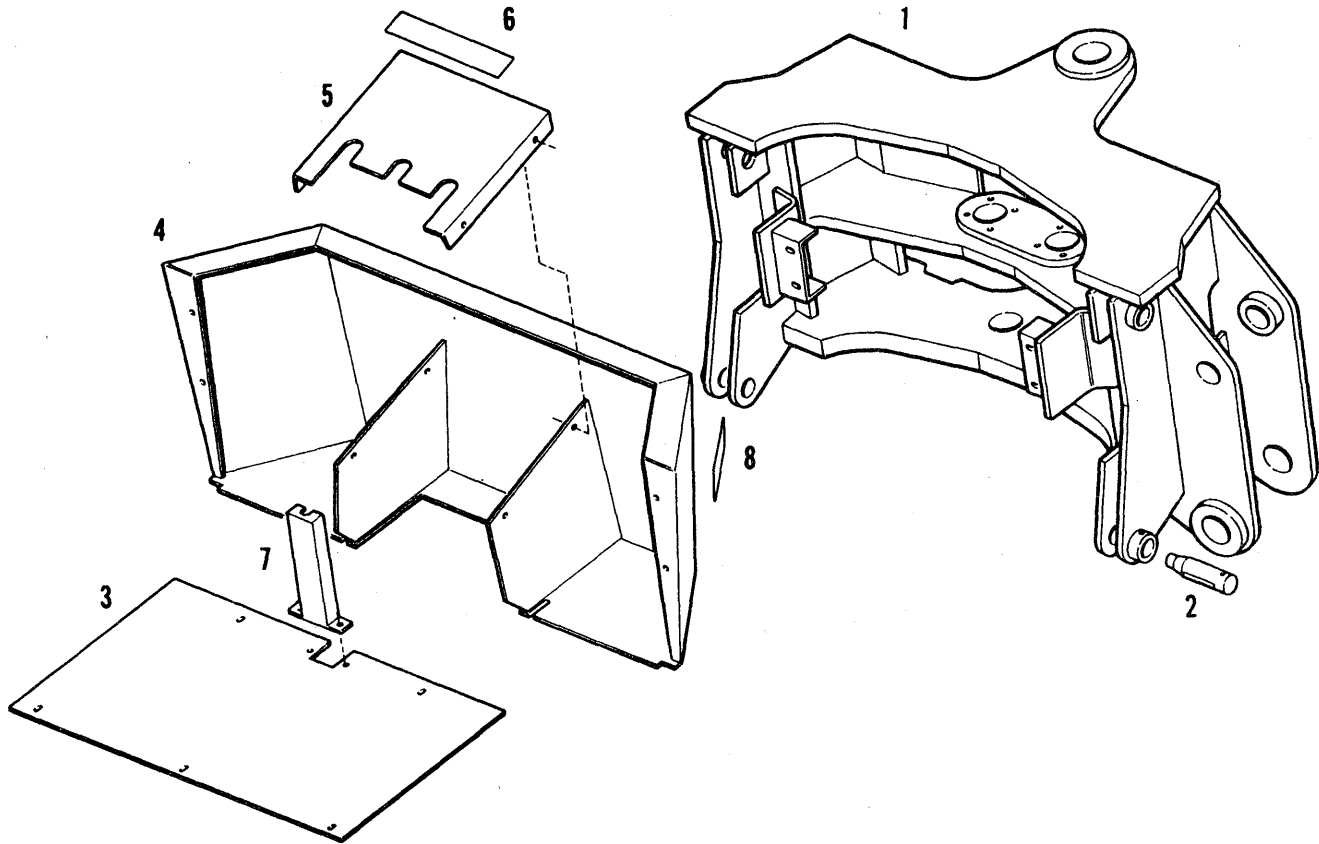
211

EXTENDABLE DIPPERSTICK

ITEM	NUMBER	QTY.	DESCRIPTION
-	1016242-8	1	DIPPERSTICK ASY. (Incl. Items 1 thru 24) (Service by components)
1	1019054-4	1	HOUSING ASY. (Incl. Item 2)
2	1019174-0	2	BUSHING
3	1019055-1	1	EXTENSION, telescoping (Incl. Items 4 thru 8)
	0922887-5	2	FITTING, grease
4	1019080-9	4	BUSHING
5	1019081-7	1	BUSHING
6	1019083-3	4	STRIP, bearing
7	1019082-5	4	STRIP, bearing
8	1019058-5	72	SCREW, mach., flat hd., 5/16NC x 1/2
9	1019056-9	1	BRACKET ASY., extension cyl. (Incl. Items 10 & 11)
10	1019085-8	1	BRACKET
11	1019084-1	2	BUSHING
12	1019057-7	1	COLLAR, housing
13	1019059-3	1	CYLINDER ASY., extension (Refer to EXTENSION CYL. ASY. for component parts) (Not illustrated)
14	0901507-4	2	NIPPLE, pipe (Not illustrated)
15	1019060-1	1	PIN, cylinder base end
	0927693-2	2	RING, snap, internal
16	1019061-9	1	PIN, cylinder rod end
	0927693-2	2	RING, snap, internal
17	1019062-7	1	PIN, travel lock
	1019063-5	2	CLIP, pin
18	1019064-3	1	PIN, bracket, cylinder extension
	0928179-1	2	RING, snap
	0922887-5	2	FITTING, grease
19	1019065-0	1	PIN, bracket, cylinder base
	0928179-1	2	RING, snap
20	1019066-8	1	PIN, crowd cylinder rod.
21	0923320-6	7	CAPSCREW, 1/2NC x 3
	0916966-5	7	LOCKWASHER, 1/2
	0916951-7	7	NUT, 1/2NC
22	-----	1	DECAL, "DoNot Grease" (Not serviced)
23	-----	2	DECAL, "DIGMOR" (Not serviced)
24	1019068-4	2	PLATE, bearing
-	1019634-3	1	DECAL, extendable dipper (Not illustrated)

714B & 715B TRACTORS
BACKHOE

MAINFRAME
PIN-ON BACKHOE
714B



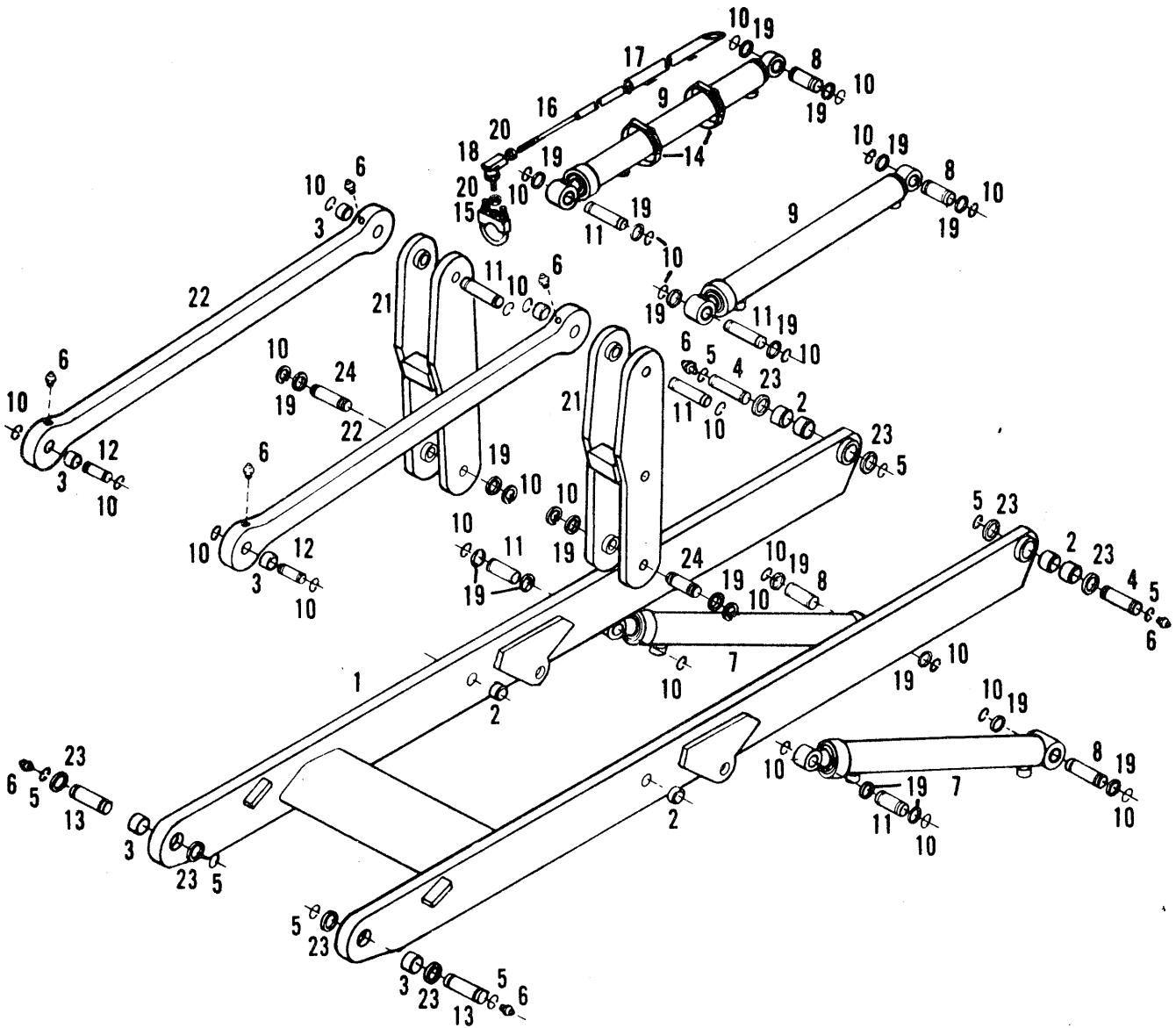
714B & 715B TRACTORS
BACKHOE

213

MAINFRAME
PIN-ON BACKHOE
714B

ITEM	NUMBER	QTY.	DESCRIPTION
1	1018961-1	1	FRAME ASY., backhoe
2	2018384-4	4	PIN, mount
	0901349-1	4	PIN, cotter, 3/8 x3
3	1019239-1	1	PLATE, floor
	0927187-5	5	CAPSCREW, taptite, 3/8NC x 1
4	1017300-3	1	WRAPPER ASY.
	0927187-5	6	CAPSCREW, taptite, 3/8NC x 1
	0918266-8	4	WASHER, flat, 3/8
	0916965-7	4	LOCKWASHER, 3/8
	0916950-9	4	NUT, 3/8NC
5	1017296-3	1	COVER, BH console
	0921960-1	4	CAPSCREW, 1/4NC x 1
	0926018-3	4	NUT, 1/4NC
6	1016941-5	1	DECAL, BH control
7	1019235-9	1	BRACKET, control
	0927187-5	2	CAPSCREW, taptite, 3/8NC x 1
	0918266-8	2	WASHER, flat, 3/8
	0916965-7	2	LOCKWASHER, 3/8
	0916950-9	2	NUT, 3/8NC
8	1015116-5	2	DECAL, "DoNot Mount"

LOADER, LINKAGE & CYLINDERS



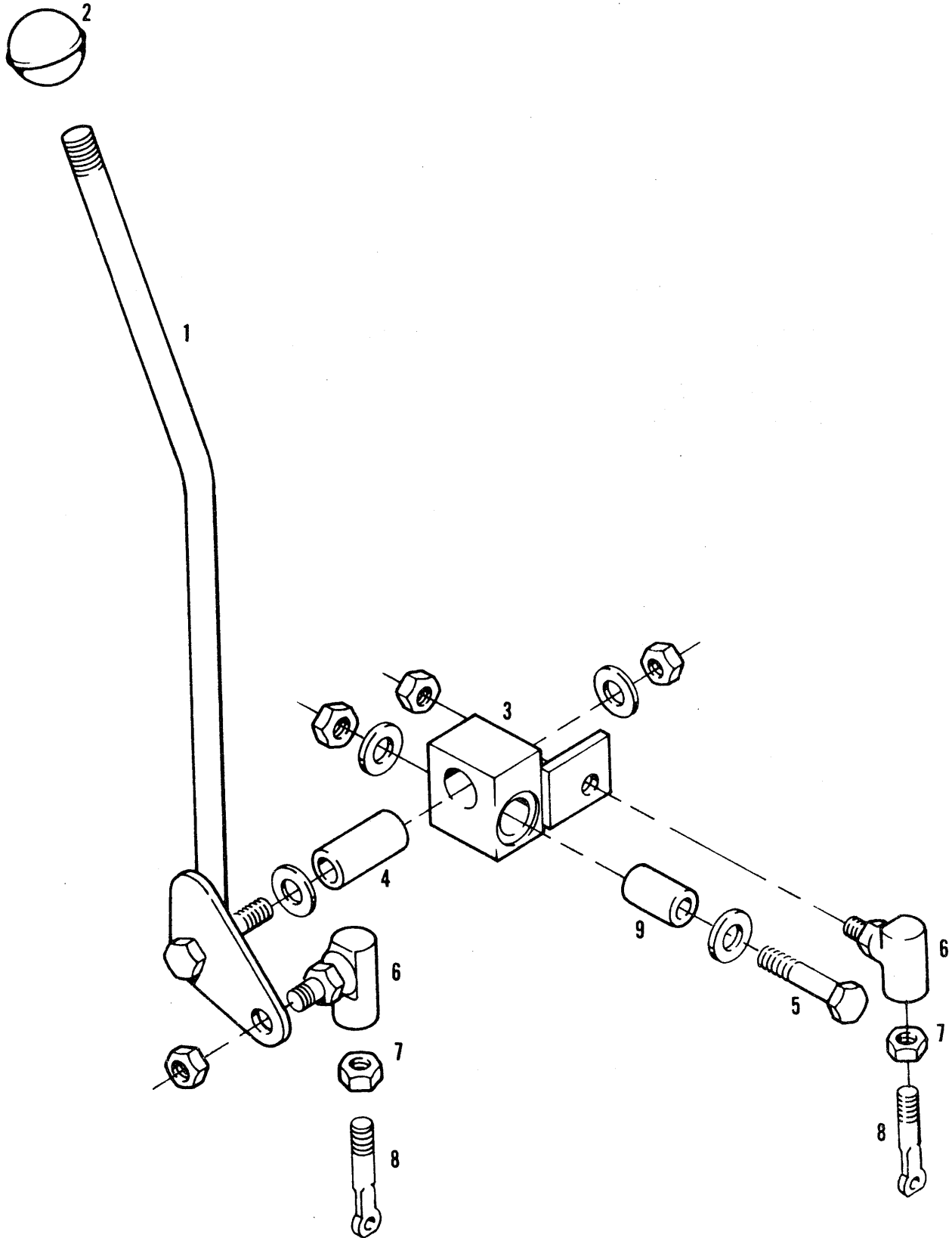
714B & 715B TRACTORS
 LOADER

215

LOADER, LINKAGE & CYLINDERS

ITEM	NUMBER	QTY.	DESCRIPTION
1	1016716-1	1	ARM ASY., lift
2	1001137-7	6	BUSHING
3	1001115-3	6	BUSHING
4	1016863-1	2	PIN, lift arm
5	2019582-2	8	RING, snap
6	0922887-5	8	FITTING, grease
7	1016775-7	2	CYLINDER ASY., lift
8	1016862-3	4	PIN, cylinder base
9	1016761-7	2	CYLINDER ASY., tilt
10	0928179-1	28	RING, snap
11	1008876-3	6	PIN, lift & tilt cylinders
12	1008875-5	2	PIN, bucket tilt
13	1008874-8	2	PIN, bucket pivot
14	0921915-5	2	CLAMP
15	1017247-6	1	BRACKET ASY.
16	1014842-7	1	ROD, sight
17	1017246-8	1	TUBE ASY., gauge
18	0925042-4	1	JOINT, ball
19	0922679-6	*	WASHER, 1-17/32 x 2-1/4 x No. 12 (*Use as req'd)
20	0919423-4	2	NUT, 1/2NF
21	1016707-0	2	LEVER ASY., bucket
22	1016702-1	2	LINK ASY., bucket
23	1001637-6	8	WASHER
24	1018631-0	2	PIN, pivot

LOADER CONTROLS



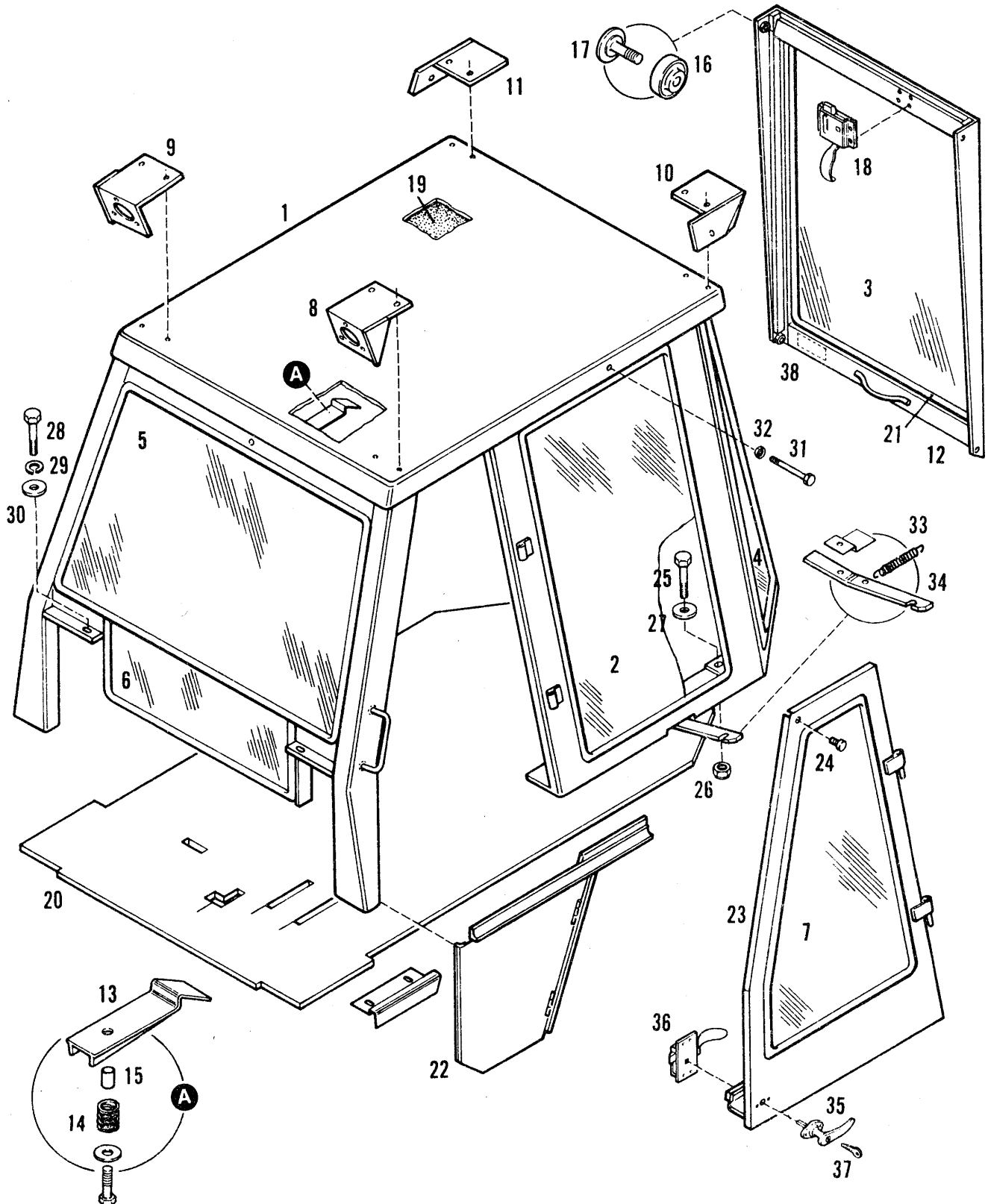
714B & 715B TRACTORS
LOADER

217

LOADER CONTROLS

ITEM	NUMBER	QTY.	DESCRIPTION
1	1016837-5	1	HANDLE ASY., control
	0918266-8	2	WASHER, plain, 3/8
	0919439-0	1	NUT, lock, 3/8NC
2	0243416-5	1	KNOB, handle
3	1009060-3	1	BLOCK, pivot
4	1009265-8	1	BUSHING
5	0923320-6	1	CAPSCREW, 1/2NC x3
	0917379-0	2	WASHER, plain, 1/2
	0922304-1	1	NUT, 1/2NC
6	0928219-5	2	JOINT, ball, 3/8NC
	0924332-0	2	NUT, lock, 3/8NF
7	0918403-7	2	NUT, jam, 3/8NC
8	1016834-2	2	ROD, control
9	1008980-3	1	BUSHING

CAB
FRAME, DOOR & WINDOWS
(PRIOR S/N 500)



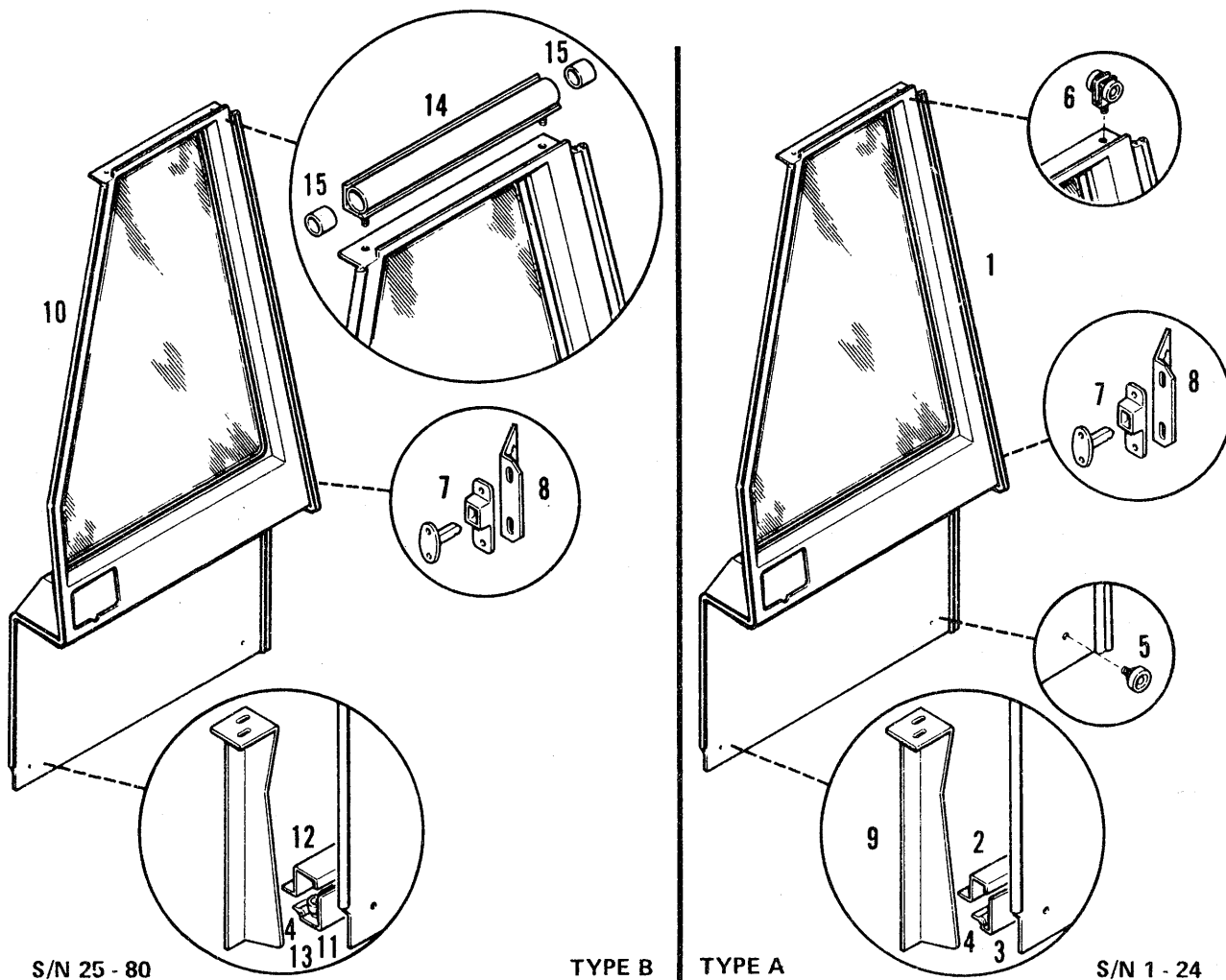
714B & 715B TRACTORS
CAB

219

CAB
FRAME, DOOR & WINDOWS
(PRIOR S/N 500)

ITEM	NUMBER	QTY.	DESCRIPTION
1	-----	1	CAB WELDMENT (Not serviced)
2	-----	2	GLASS, side (Obtain locally)
3	-----	1	GLASS, rear (Obtain locally)
4	-----	2	GLASS, rear corner (Obtain locally)
5	-----	1	WINDSHIELD, upper (Obtain locally)
6	-----	1	WINDSHIELD, lower (Obtain locally)
7	-----	2	GLASS, door (Obtain locally)
8	1018747-4	1	BRACKET, lamp, L.H. front
9	1018748-2	1	BRACKET, lamp, R.H. front
10	1018749-0	1	BRACKET, lamp, L.H. rear
11	1018750-8	1	BRACKET, lamp, R.H. rear
12	1018755-7	1	FRAME, rear window
13	1018756-5	1	LATCH, rear window (opened)
14	1018757-3	1	SPRING, window latch
15	1018758-1	1	SPACER, window latch
16	1019160-9	4	ROLLER, rear window
17	1019161-7	4	SHAFT, roller
18	1018744-1	1	LATCH, rear window (closed)
19	1018828-2	1	INSULATION, roof
20	1019370-4	1	MAT, floor
21	1019146-8	1	MOULDING, rear window (13 feet)
22	1019162-5	1	DOOR & FRAME ASY., swing out, R.H. lower
	1019163-3	1	DOOR & FRAME ASY., swing out, L.H. lower
23	1019164-1	1	DOOR ASY., swing out, R.H. upper
	1019165-8	1	DOOR ASY., swing out, L.H. upper
24	1019166-6	2	BUMPER, door stop, rubber
25	0919089-3	8	CAPSCREW, 1/2NC, Gr. 5
26	0922304-1	8	NUT, lock, 1/2NC
27	0917379-0	8	WASHER, 1/2
28	0923292-7	4	CAPSCREW, 3/4NC, Gr. 5
29	0919332-7	4	LOCKWASHER, 3/4
30	0918269-2	4	WASHER, 3/4
31	0921973-4	2	CAPSCREW, 3/8NC (door bumper)
32	0916950-9	2	NUT, 3/8NC
33	1018766-4	2	SPRING, catch lever, door
34	1019168-2	1	LEVER, catch, door, R.H.
	1019167-4	1	LEVER, catch, door, L.H.
35	1019170-8	1	HANDLE, outside, w/o lock, R.H.
	1019169-0	1	HANDLE, outside, w/ lock, L.H.
36	1019172-4	1	LATCH, inside, R.H.
	1019171-6	1	LATCH, inside, L.H.
37	1018770-6	2	KEY, door
38	1018476-0	1	DECAL, warning

CAB DOORS
TOPEKA METAL SPEC., INC.
(PRIOR S/N 500)

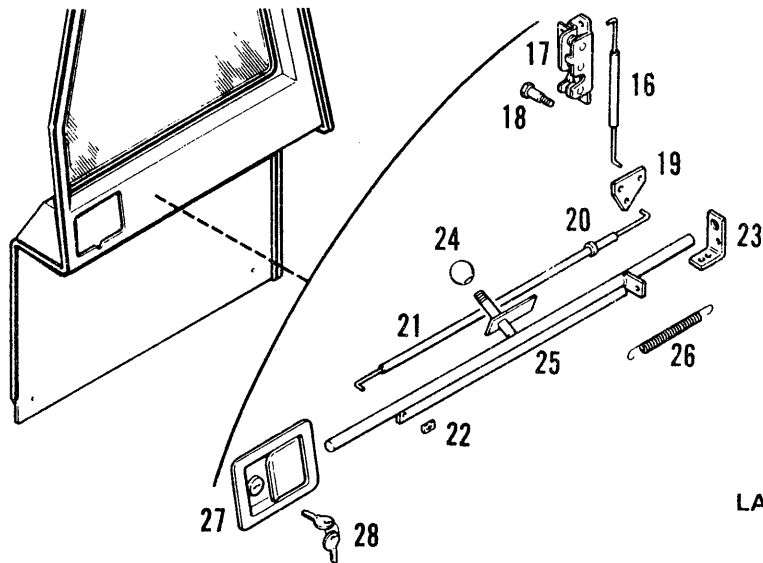


S/N 25 - 80

TYPE B

TYPE A

S/N 1 - 24



LATCH, MECHANICAL
SLIDING DOOR

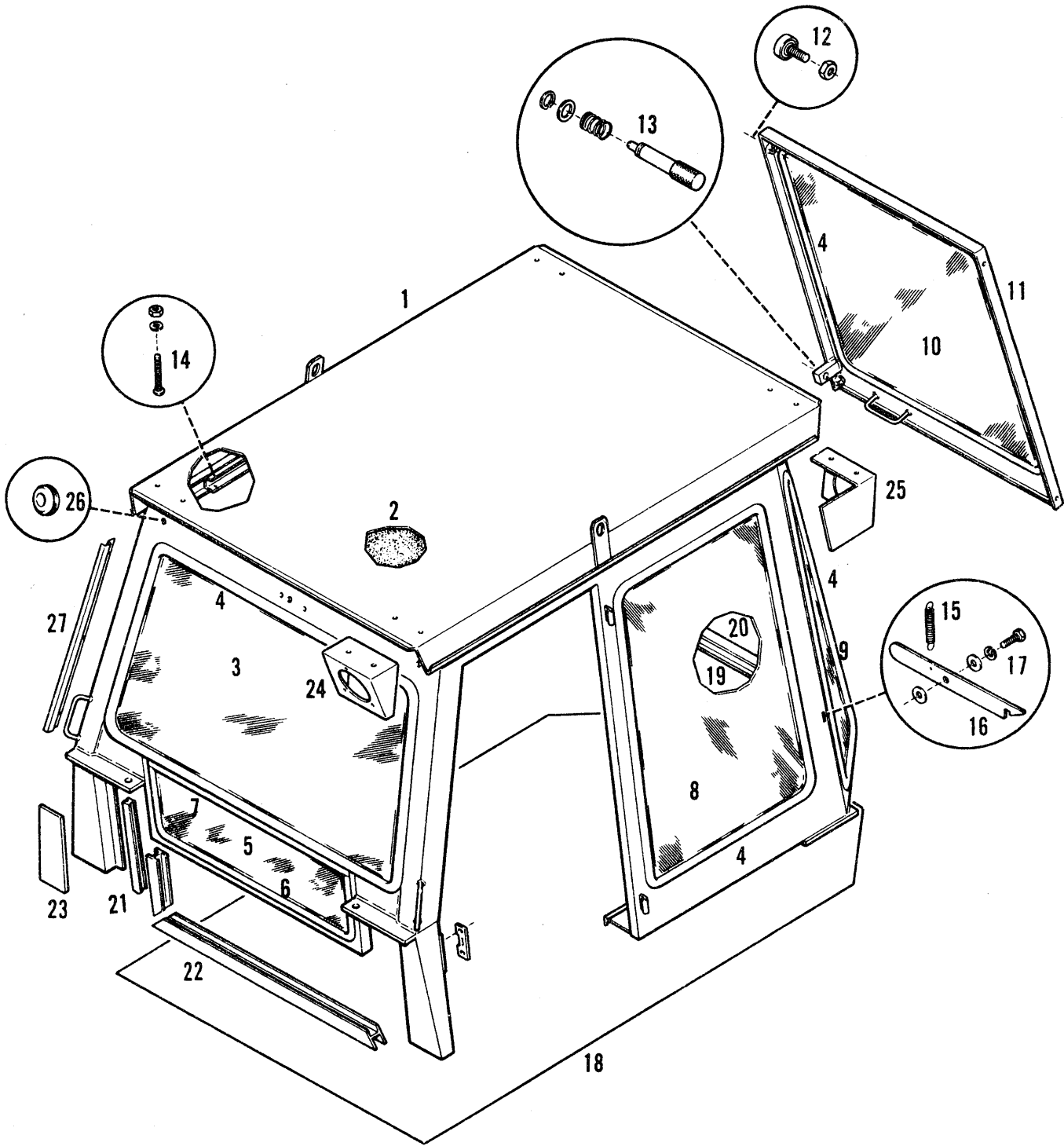
714B & 715B TRACTORS
CAB

221

CAB DOORS
TOPEKA METAL SPEC., INC.
(PRIOR S/N 500)

ITEM	NUMBER	QTY.	DESCRIPTION
1	1018751-6	1	DOOR, L.H.
	1018752-4	1	DOOR, R.H.
2	1018762-3	2	BRACKET
3	1018753-2	1	TRACK, L.H.
	1018754-0	1	TRACK, R.H.
4	1019177-3	1	SEAL (5 ft.)
5	1019176-5	4	ROLLER
6	1018829-0	4	ROLLER
7	1018768-0	2	HANDLE
8	1019175-7	2	BRACKET
9	1018763-1	1	SEAL, L.H.
	1018764-9	1	SEAL, R.H.
10	1019179-9	1	DOOR, L.H.
	1019180-7	1	DOOR, R.H.
11	1019197-1	1	BRACKET, L.H. lower
	1019196-3	1	BRACKET, R.H. lower
12	1019198-9	1	BRACKET, seal, lower
13	1018772-2	4	FOLLOWER
14	1018761-5	2	BRACKET
15	1018771-4	4	BUSHING
16	1019298-7	2	ROD, upper
17	1018741-7	1	LOCK, L.H.
	1018742-5	1	LOCK, R.H.
18	1018743-3	2	STRIKER
19	1019297-9	2	PLATE
20	1018767-2	2	COLLAP
21	1019299-5	2	ROD, lower
22	1018807-6	4	CLIP
23	1019178-1	4	BRACKET
	1018765-6	1	KNOB
24	1018759-9	1	BAR, L.H.
	1018760-7	1	BAR, R.H.
25	1018766-4	2	SPRING
26	1018739-1	1	PADDLE, L.H.
	1018740-9	1	PADDLE, R.H.
27	1018769-8	2	KEY, w/ cylinder

CAB ASY.
(EFF. S/N 500 & UP)



714B & 715B TRACTORS
CAB

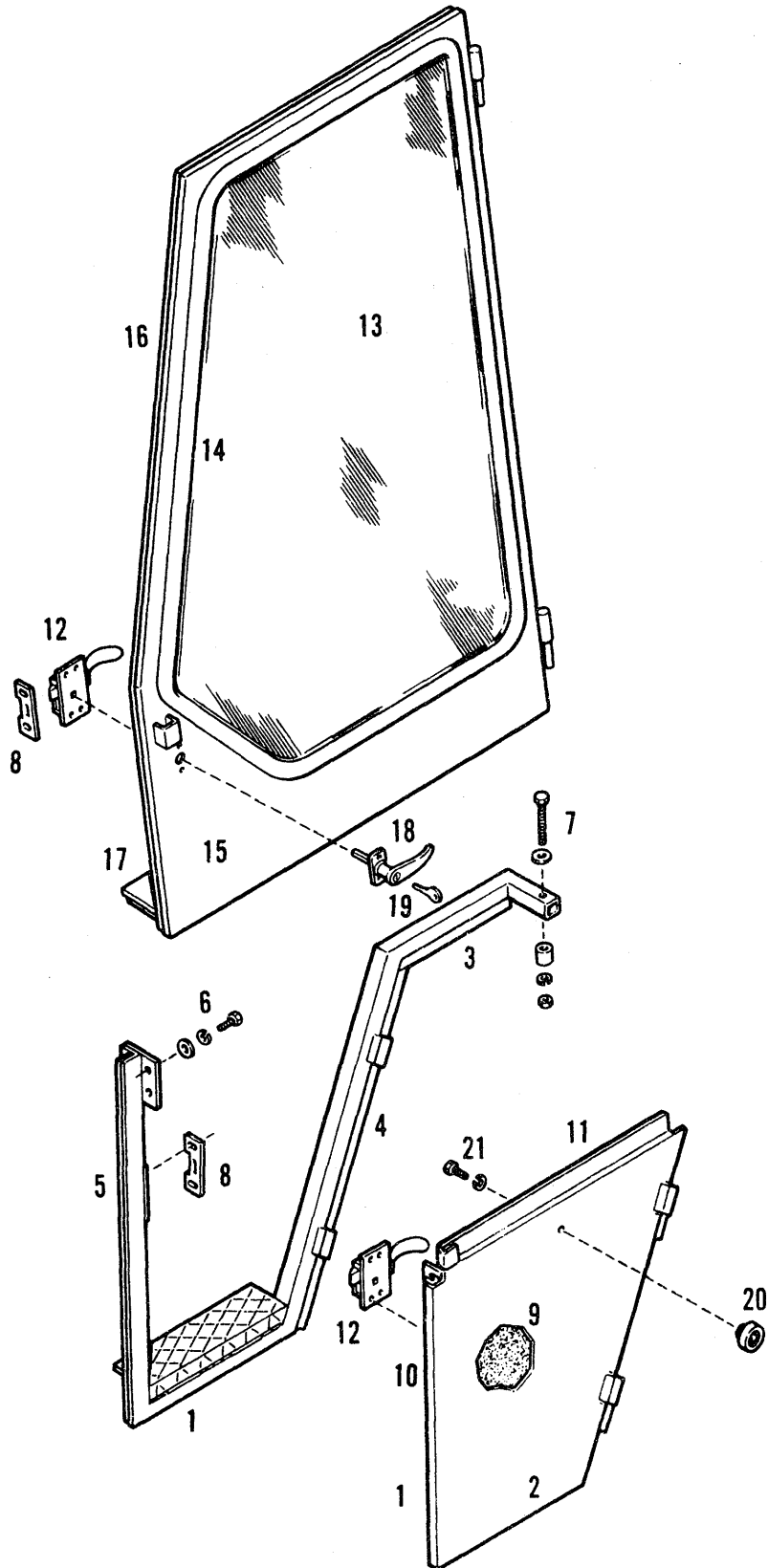
223

CAB ASY.
(EFF. S/N 500 & UP)

ITEM	NUMBER	QTY.	DESCRIPTION
1	-----	1	CAB WELDMENT (Not serviced)
	0923292-7	4	CAPSCREW, 3/4NC x 2, Gr.5 (front)
	0919332-7	4	LOCKWASHER, 3/4
	0918269-2	4	WASHER, flat, 3/4
	0921024-6	8	CAPSCREW, 1/2 x 2 (rear)
	0917379-0	8	WASHER, flat, 1/2
	0922304-1	8	NUT, self-locking, 1/2NC
2	1019367-0	1	INSULATION, roof, front (Polyfoam)
	1019368-8	1	INSULATION, roof, center (Polyfoam)
	1019369-6	1	INSULATION, roof, back (Polyfoam)
3	-----	1	GLASS, windshield (Not serviced; obtain locally)
4	1019328-2	6	SEAL, window, rubber (cut to fit)
5	-----	1	GLASS, lower window (Not serviced; obtain locally)
6	1019352-2	1	SEAL, lower window, rubber
7	1019329-0	1	SEAL, window channel, felt
8	-----	2	GLASS, rear side window (Not serviced; obtain locally)
9	-----	2	GLASS, side window (Not serviced; obtain locally)
10	-----	1	GLASS, rear window (Not serviced; obtain locally)
11	1019334-0	1	WINDOW ASY., roll-up, rear
12	1019336-5	4	BEARING ASY., roller track
	0922007-0	4	NUT, jam, 7/16NC
13	1019337-3	1	PIN, lock
	1019338-1	1	BUSHING, machine
	0927780-7	1	RING, snap, inverted
	1019339-9	1	SPRING, compression
14	0921963-5	1	SCREW, 1/4NC x 1-3/4
	0916964-0	1	LOCKWASHER, 1/4
	0916622-4	1	NUT, 1/4NC
15	1016966-2	2	SPRING, door holder
16	1019358-9	2	HOLDER, door
17	0921333-1	2	BOLT, 5/16NC x 1
	0917356-8	2	LOCKWASHER, 5/16
	0918265-0	4	WASHER, flat, 5/16
18	1019370-4	1	MAT, floor
19	1019371-2	2	MOULDING, rubber, offset
20	1019353-0	1	SEAL, rubber, offset
21	1019364-7	2	MOULDING, rubber, outer (cab to tower)
22	1019365-4	1	MOULDING, rubber, hood
23	1019366-2	2	SEAL, front, cab to tower (Polyfoam)
24	1019360-5	1	BRACKET, lamp, front right
	1019361-3	1	BRACKET, lamp, front left
	0921332-3	4	CAPSCREW, 5/16NC x 3/4
	0917356-8	4	LOCKWASHER, 5/16
	0918265-0	4	WASHER, flat, 5/16
25	1019362-1	1	BRACKET, lamp, rear right
	1019363-9	1	BRACKET, lamp, rear left
	0921332-3	4	CAPSCREW, 5/16NC x 3/4
	0917356-8	4	LOCKWASHER, 5/16
	0918265-0	4	WASHER, flat, 5/16
26	1019372-0	4	GROMMET, 1/2" dia. (for wiring)
27	1019335-7	1	COVER, wiring harness
	0925003-6	3	BOLT, self-tapping

714B & 715B TRACTORS
CAB

CAB DOORS
(EFF. S/N 500 & UP)



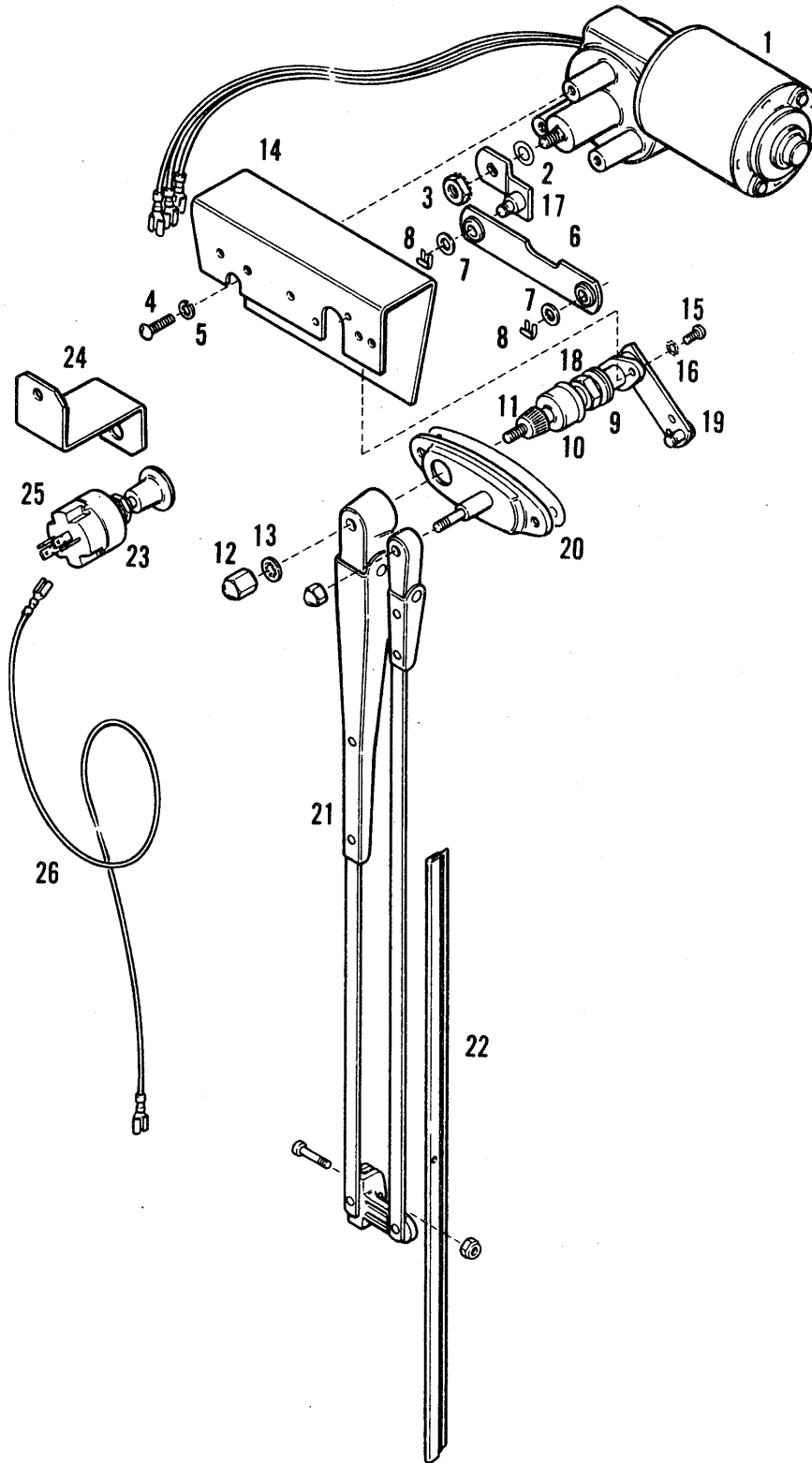
714B & 715B TRACTORS
CAB

225

CAB DOORS
(EFF. S/N 500 & UP)

ITEM	NUMBER	QTY.	DESCRIPTION
1	1019340-7	1	DOOR & FRAME ASY., right (Incl. Item 2)
	1019349-8	1	DOOR & FRAME ASY., left (Incl. Item 2)
2	1019345-6	1	PANEL ASY., lower door, right
	1019350-6	1	PANEL ASY., lower door, left
3	1019342-3	2	INSULATION, top of lower door (Polyfoam)
4	1019343-1	2	INSULATION, side of lower door (Polyfoam)
5	1019344-9	2	INSULATION, front of lower door (Polyfoam)
6	0921332-3	8	CAPSCREW, 5/16NC x 3/4 (front of frame)
	0917356-8	8	LOCKWASHER, 5/16
	0918265-0	8	WASHER, flat, 5/16
7	0921719-1	2	CAPSCREW, 5/16NC x 2-1/2
	0917356-8	2	LOCKWASHER, 5/16
	0918265-0	2	WASHER, flat, 5/16
	0917372-5	2	NUT, 5/16NC
	1019373-8	2	SPACER, pipe, 1/2" I.D. x 1/2" long
8	1019341-5	4	STRIKER, door
	0925003-6	4	BOLT, self-tapping
9	1019346-4	2	INSULATION, lower door (Polyfoam)
10	1019351-4	2	SEAL, lower door, rubber
11	1019347-2	2	INSULATION, top lower door (Polyfoam)
12	1018479-4	2	LATCH ASY., inside door, right
	1018480-2	2	LATCH ASY., inside door, left
	0925003-6	8	BOLT, self-tapping
13	-----	2	GLASS, upper door (Not serviced; obtain locally)
14	1019328-2	2	SEAL, upper door window, rubber
15	1019327-4	1	DOOR ASY., upper right
	1019333-2	1	DOOR ASY., upper left
16	1019330-8	2	SEAL, upper door, rubber
17	1019332-4	2	SEAL, upper door (Polyfoam)
18	1019331-6	2	HANDLE, outside upper door, locking
	0916080-5	4	SCREW, handle
19	1018770-6	2	KEY, locking, handle
20	1019348-0	2	BUMPER ASY., door
21	0921332-3	2	CAPSCREW, 5/16NC x 3/4
	0917356-8	2	LOCKWASHER, 5/16

WINDSHIELD WIPER & MOTOR



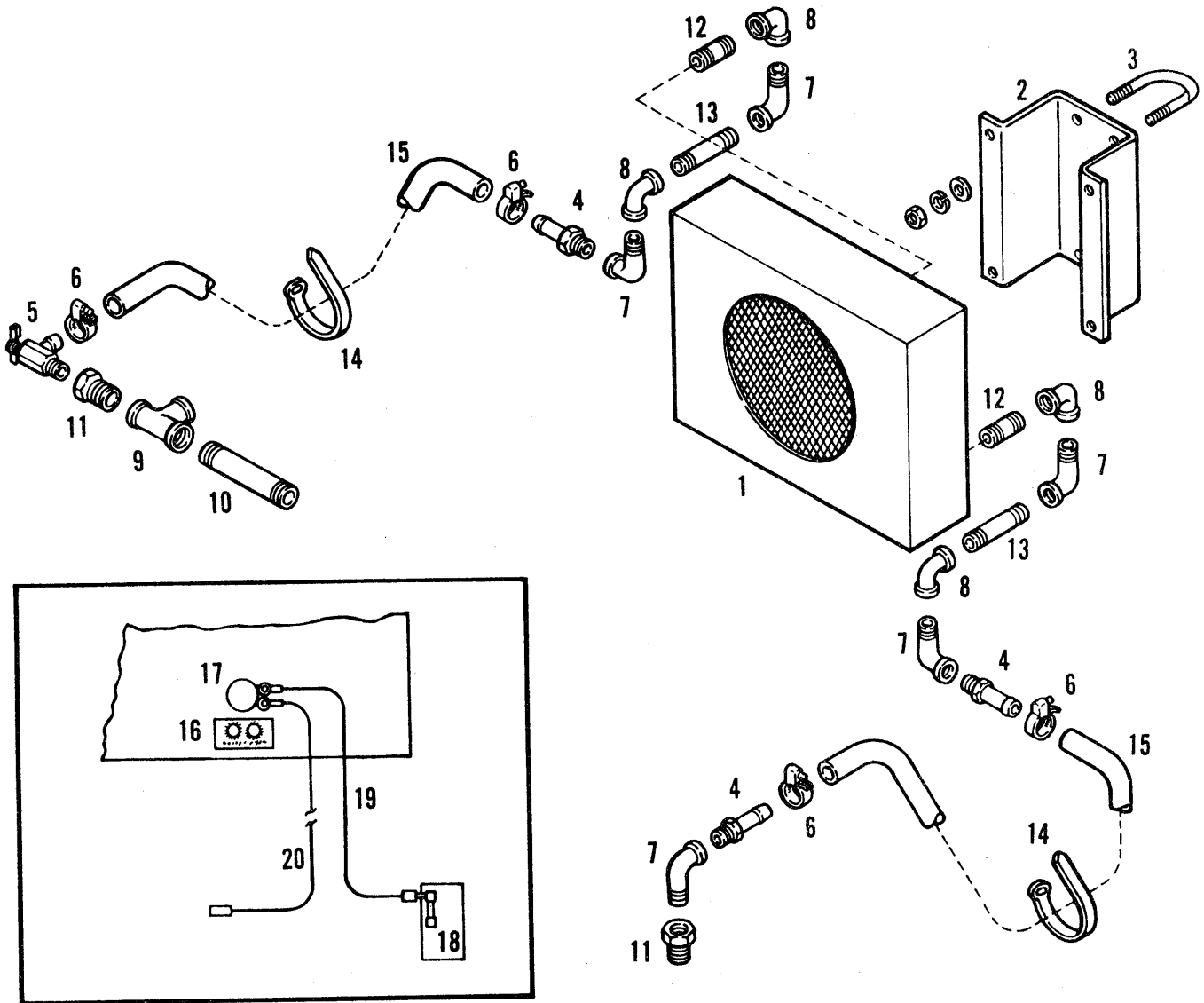
714B & 715B TRACTORS
CAB

227

WINDSHIELD WIPER & MOTOR

ITEM	NUMBER	QTY.	DESCRIPTION
—	1010343-0	1	MOTOR KIT, wiper (Incl. Items 1 thru 16)
1	1018662-5	1	MOTOR, wiper
2	0246689-4	1	WASHER
3	0923662-1	1	NUT, pltd., 1/4NF
4	0914120-1	3	SCREW, 1/4NF x 3/4
5	0921880-1	3	LOCKWASHER, 1/4
6	3060177-7	1	LINK, connecting
7	0639073-6	2	WASHER, spring
8	0639074-4	2	SPRING, clip
9	1013271-0	1	NUT
10	1013272-8	1	CAP
11	1013273-6	1	DRIVER, knurled
12	1013274-4	1	NUT
13	0923300-8	1	LOCKWASHER, int. tooth, pltd., 5/16
14	3060178-5	1	BRACKET
15	0922121-9	2	SCREW
16	0922711-7	2	LOCKWASHER, ext. tooth, pltd., No. 10
17	3061046-3	1	ARM, crank (Order separately)
18	1013270-2	1	SHAFT, pivot (Order separately)
19	1018840-7	1	SHAFT, pivot (Incl. Items 9 thru 13)
20	1010344-8	1	PANTOGRAPH KIT
21	1010528-6	1	ARM, wiper, 18"
22	1002888-4	1	BLADE, wiper, 16"
23	1010532-8	1	SWITCH, 2-speed
24	1010530-2	1	BRACKET, switch
25	-----	1	FUSE, 20 amp (Order locally)
26	1019173-2	1	WIRE, wiper supply

HEATER
FIELD INSTALLATION



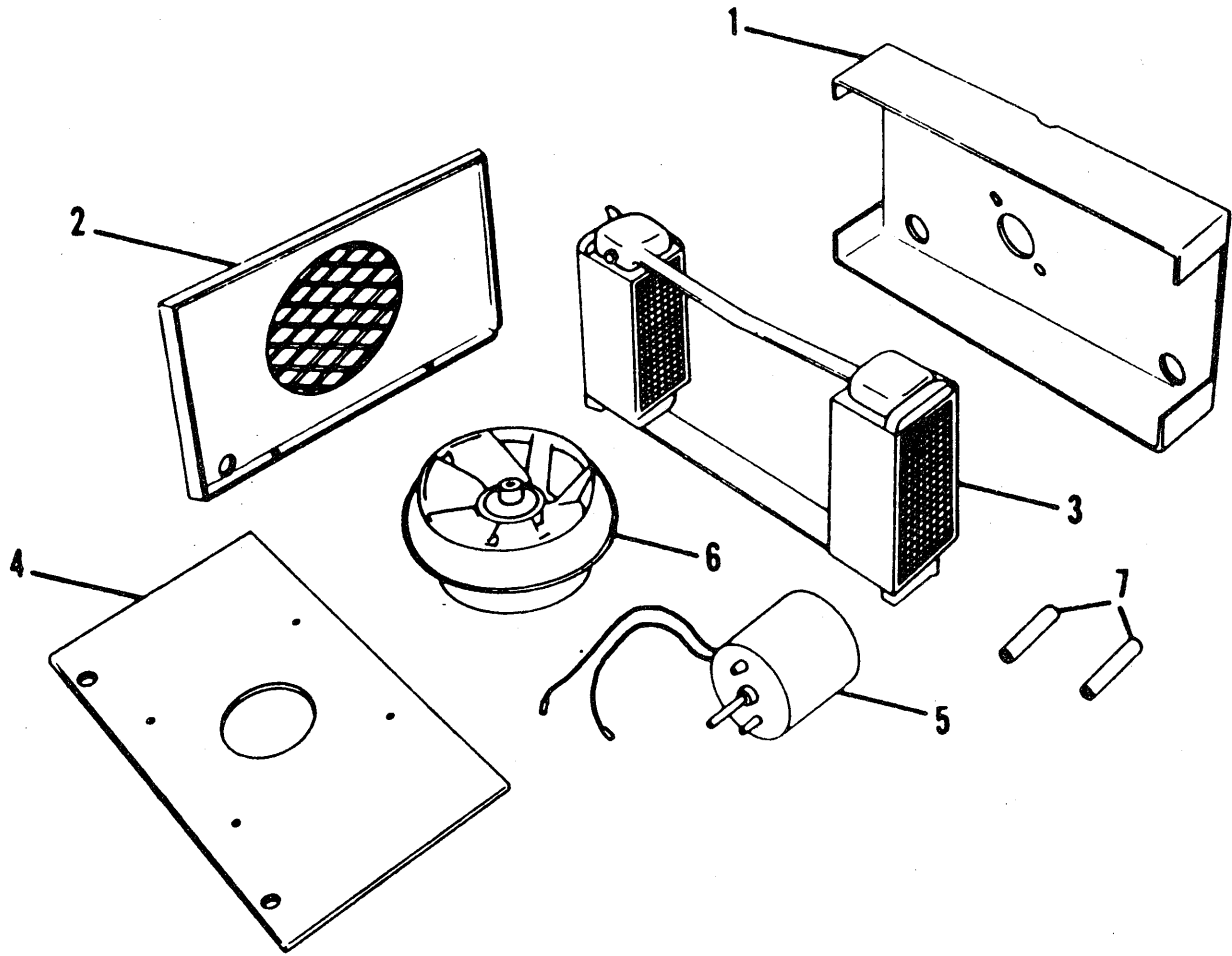
714B & 715B TRACTORS
CAB

229

HEATER
FIELD INSTALLATION

ITEM	NUMBER	QTY.	DESCRIPTION
1	1012517-7	1	HEATER ASY.
2	1012946-8	1	BRACKET, heater
3	4710160-5	2	CLAMP, bracket
	0918264-3	8	WASHER, flat, 9/32 x 5/8 x 1/16
	0916964-0	4	LOCKWASHER, 1/4
	0916622-4	4	NUT, 1/4NC
4	0925238-8	3	FITTING, hose
5	2020415-2	1	VALVE, shut-off, 90°
6	0921911-4	4	CLAMP, hose
7	0901723-7	5	ELBOW, st.
8	0901678-3	4	ELBOW
9	0920169-0	1	TEE
10	0916650-5	1	NIPPLE
11	0923519-3	2	BUSHING
12	0901490-3	2	NIPPLE
13	0901492-9	2	NIPPLE
14	0930871-9	2	WRAP, tie
15	1012518-5	2	HOSE, heater
16	1016936-5	1	DECAL, heater switch
17	1012519-3	1	SWITCH & KNOB
18	1007838-4	1	FUSE, 15 amp (Obtain locally)
19	1014621-5	1	WIRE, fuse to switch
20	1014622-3	1	WIRE, switch to heater

HEATER ASY.



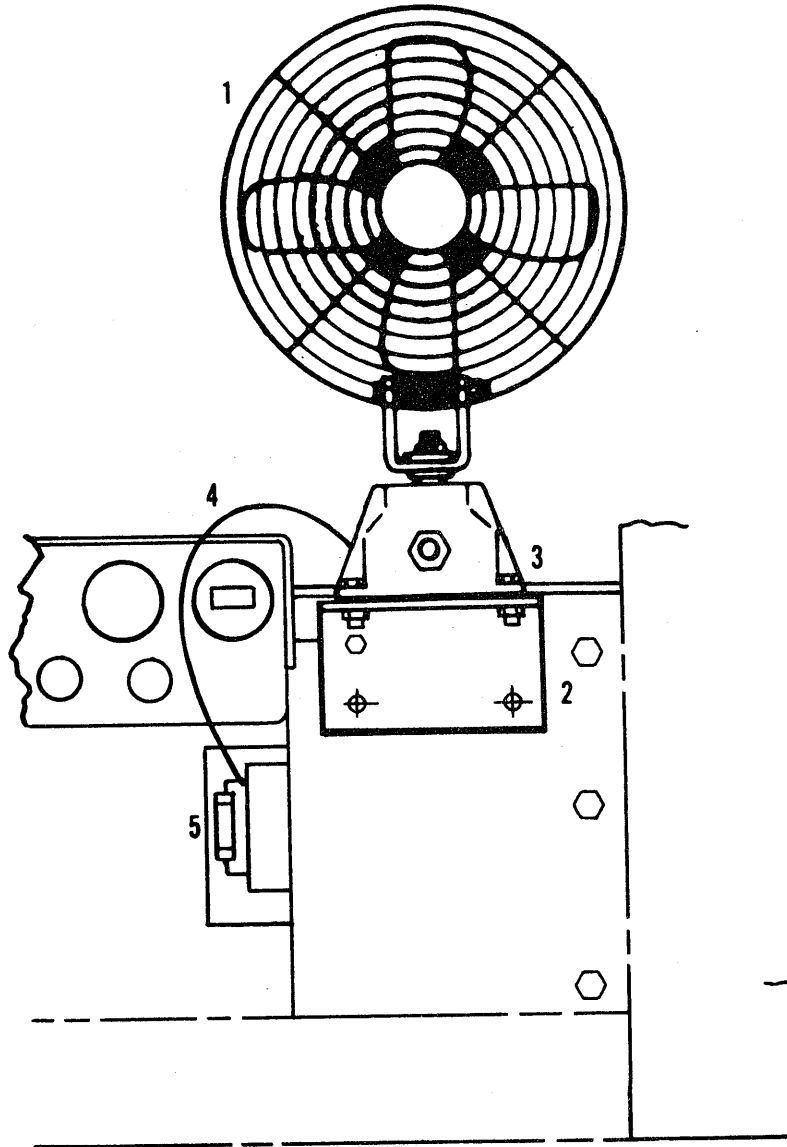
714B & 715B TRACTORS
CAB

231

HEATER ASY.

ITEM	NUMBER	QTY.	DESCRIPTION
—	1012517-7	1	HEATER ASY.
1	1012678-7	1	SHELL
2	1012679-5	1	COVER
3	1012680-3	1	CORE
4	1012681-1	1	GASKET
5	1012682-9	1	MOTOR
6	1012683-7	1	FAN
7	1012684-5	2	NIPPLE

DEFROSTER FAN



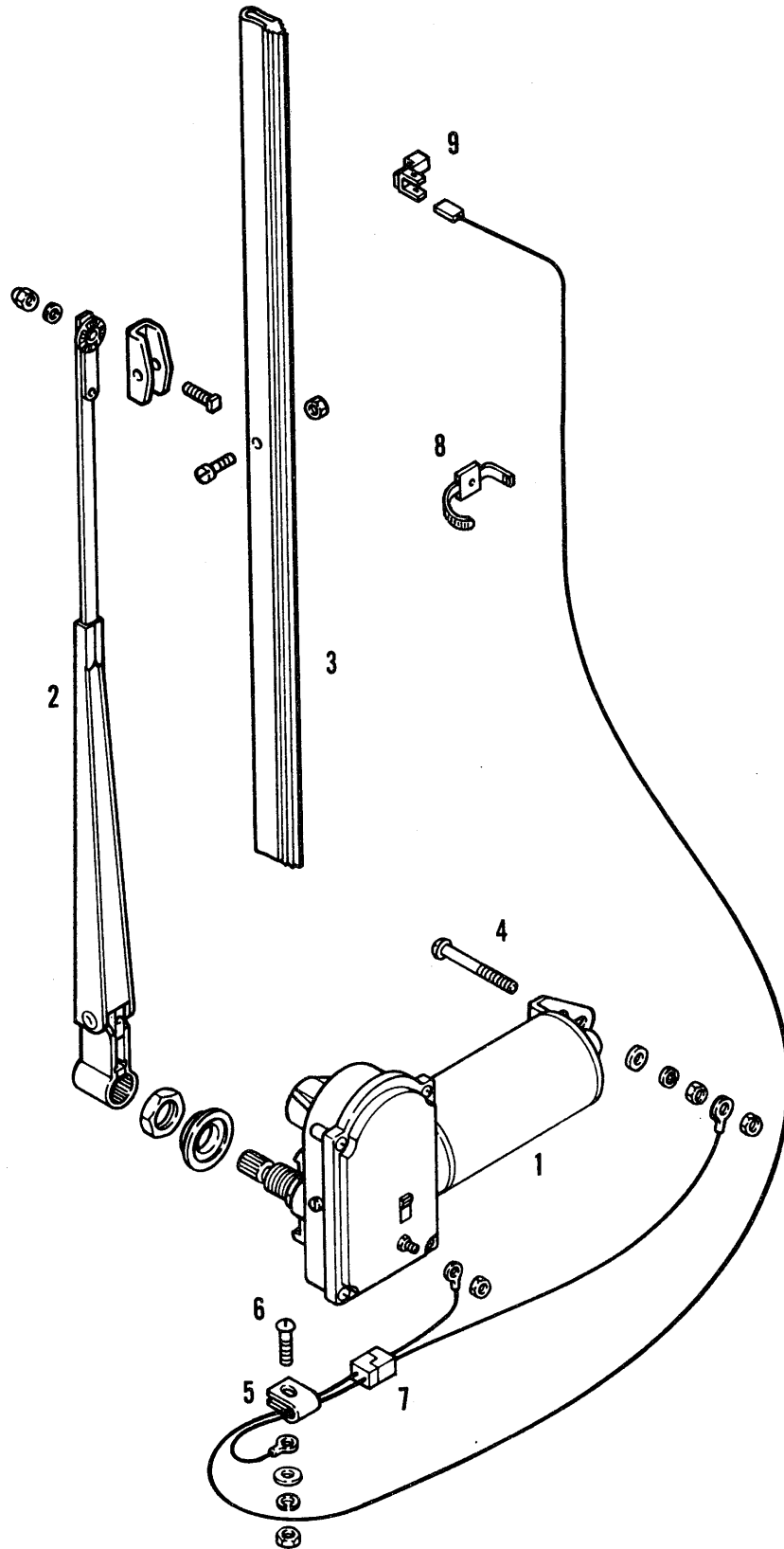
714B & 715B TRACTORS
CAB

233

DEFROSTER FAN

ITEM	NUMBER	QTY.	DESCRIPTION
1	1005724-8	1	FAN, 12 volt
2	1012956-7	1	BRACKET, fan
3	0917388-1	6	SCREW, No. 10NC x3/4
	0917365-9	6	LOCKWASHER, No. 10
	0916621-6	6	NUT, No. 10NC
4	1012959-1	1	WIRE, fuse to fan switch
5	1007839-2	1	FUSE, 10 amp

REAR WINDOW WIPER



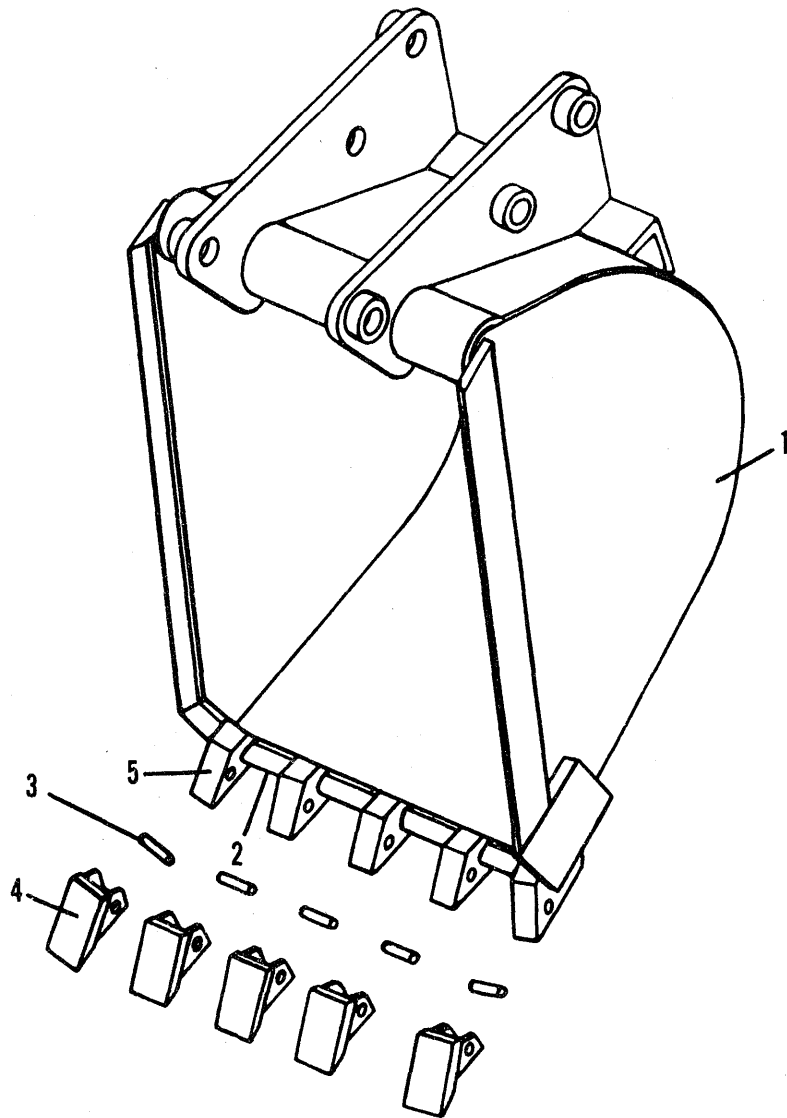
714B & 715B TRACTORS
CAB

235

REAR WINDOW WIPER

ITEM	NUMBER	QTY.	DESCRIPTION
1	1010321-6	1	MOTOR, wiper, 65° (non-adjustable)
2	1002887-6	1	ARM, wiper, 16"
3	1002888-4	1	BLADE, 16"
4	0918612-3	1	SCREW, No. 10NC x 1-1/2
	0923212-5	1	WASHER, flat, No. 10
	0917365-9	1	LOCKWASHER, No. 10
	0916621-6	2	NUT, No. 10NC
5	0929722-7	1	CLAMP, insulated
6	0917388-1	1	SCREW, No. 10NC x 3/4
	0923212-5	1	WASHER, flat, No. 10
	0917365-9	1	LOCKWASHER, No. 10
	0916621-6	1	NUT, No. 10NC
7	1019036-1	1	WIRE ASY.
8	1013338-7	3	CLAMP, adjustable
9	0230170-3	1	CONNECTOR, dual

BUCKETS
BACKHOE

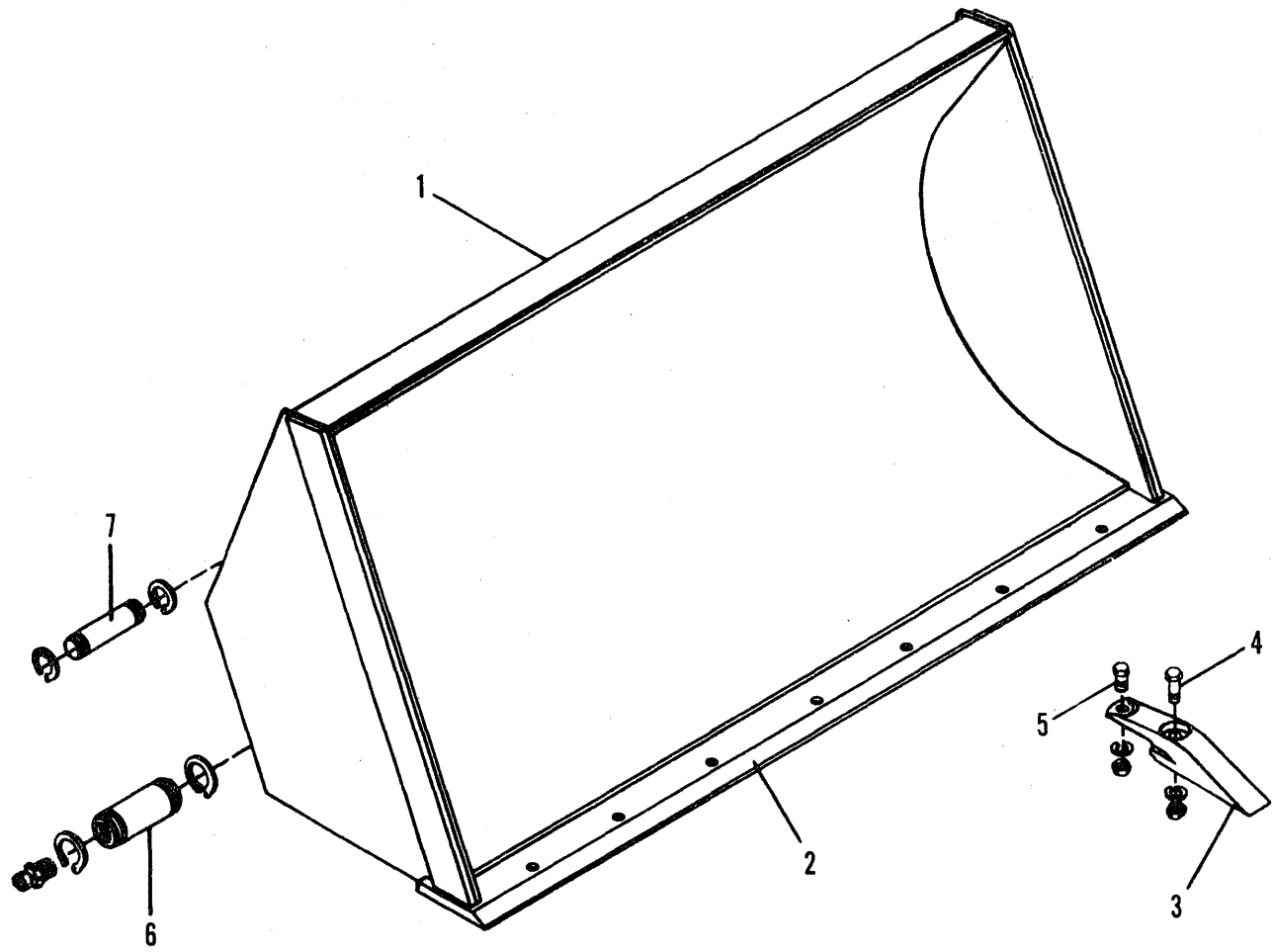


714B & 715B TRACTORS
ATTACHMENTS

BUCKETS
BACKHOE

ITEM	NUMBER	QTY.	QTY.	QTY.	QTY.	QTY.	QTY.	QTY.	DESCRIPTION
1	-----	*	0	0	0	0	0	0	BUCKET ASY. (12") (SEE NOTE)
	-----	0	*	0	0	0	0	0	BUCKET ASY. (18") (SEE NOTE)
	-----	0	0	0	0	0	*	0	BUCKET ASY. (18") (heavy duty) (SEE NOTE)
	-----	0	0	*	0	0	0	0	BUCKET ASY. (24") (SEE NOTE)
	-----	0	0	0	0	0	0	*	BUCKET ASY. (24") (heavy duty) (SEE NOTE)
	-----	0	0	0	0	*	0	0	BUCKET ASY. (30") (SEE NOTE)
	-----	0	0	0	0	*	0	0	BUCKET ASY. (36") (SEE NOTE)
2	1043400-9	*	0	0	0	0	0	0	CUTTING EDGE (12")
	1043401-7	0	1	0	0	0	0	0	CUTTING EDGE (18")
	1009345-8	0	0	0	0	0	1	0	CUTTING EDGE (18") (heavy duty)
	1043402-5	0	0	1	0	0	0	0	CUTTING EDGE (24")
	1009346-6	0	0	0	0	0	0	1	CUTTING EDGE (24") (heavy duty)
	1043403-3	0	0	0	1	0	0	0	CUTTING EDGE (30")
	1043404-1	0	0	0	0	1	0	0	CUTTING EDGE (36")
3	2017635-0	3	4	4	5	6	4	5	PIN, flexible
4	2017636-8	3	4	4	5	6	4	5	TOOTH
5	2017634-3	3	4	4	5	6	4	5	SHANK, std. duty (5/8" cutting edge)
6	1009357-3	0	0	0	0	0	4	5	SHANK, heavy duty (1" cutting edge (Not illustrated)

BUCKETS
LOADER



714B & 715B TRACTORS
ATTACHMENTS

239

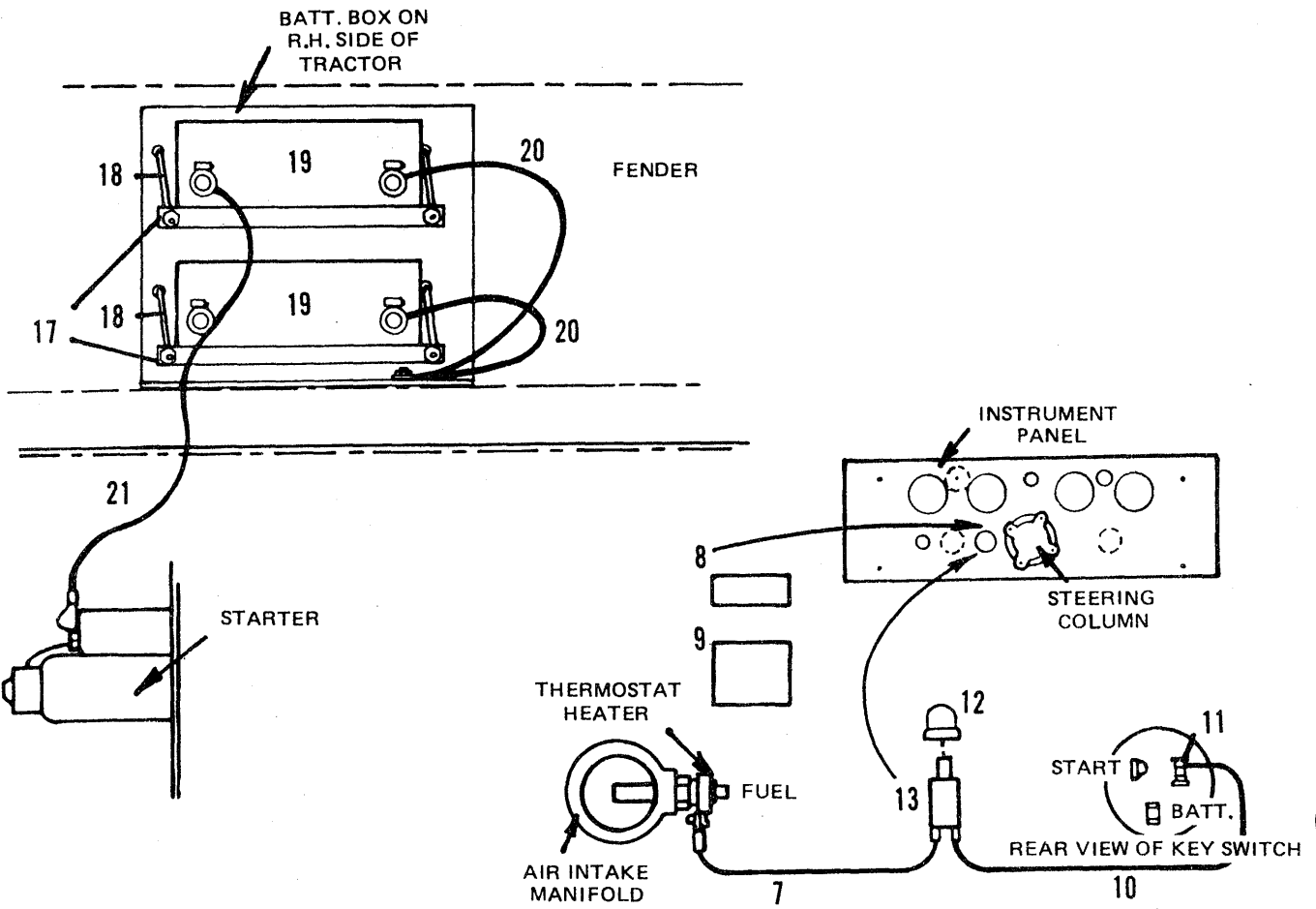
BUCKETS
LOADER

ITEM	NUMBER	QTY.	QTY.	DESCRIPTION
1	-----	1	0	BUCKET ASY., 1 cu. yd. (Incl. Items 2 & 3) (Refer to MACHINERY)
	-----	0	1	BUCKET ASY., 1-1/4 cu. yd. (Incl. Items 2 & 3) (Refer to MACHINERY)
2	1008672-6	1	1	EDGE, cutting
	-----	7	7	TOOTH GROUP (Incl. Items 3, 4 & 5) (Refer to MACHINERY)
3	2015516-4	7	7	TOOTH
4	0913105-3	7	7	CAPSCREW, 1/2NF x 1-1/2
	0923291-9	7	7	WASHER, spring, pltd., 1/2
	0919423-4	7	7	NUT, lock, 1/2NF
5	0924681-0	7	7	CAPSCREW, pltd., 1/2NF x 2-1/2
	0923291-9	7	7	WASHER, spring, pltd., 1/2
	0919423-4	7	7	NUT, lock, 1/2NF
6	1008874-8	2	2	PIN, bucket pivot
	0922887-5	2	2	FITTING, lube
	2019582-2	4	4	RING, snap
7	1008875-5	2	2	PIN, bucket tilt
	0928179-1	4	4	RING, snap

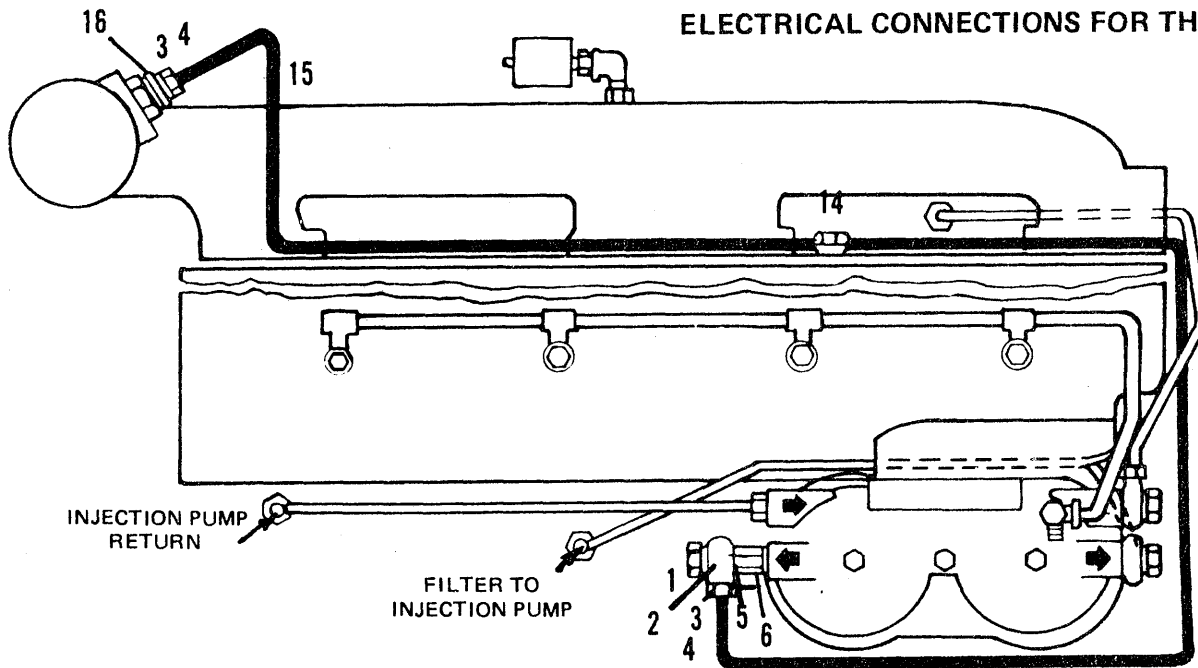
*1 Cu. Yd. Bucket

**1-1/4 Cu. Yd. Bucket

COLD START GROUP



ELECTRICAL CONNECTIONS FOR THERMOSTAT



ENGINE VIEWED FROM TOP

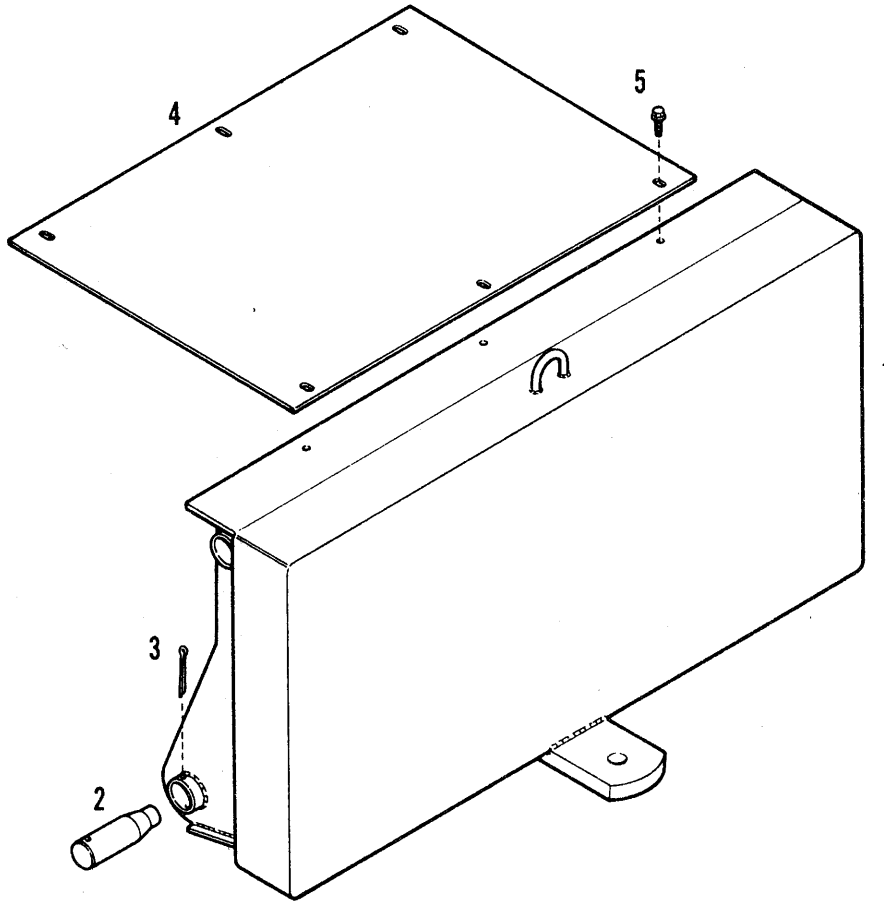
714B & 715B TRACTORS
ATTACHMENTS

241

COLD START GROUP

ITEM	NUMBER	QTY.	DESCRIPTION
1	1005072-2	1	BOLT
2	2080460-5	1	CONNECTOR, banjo
3	0251326-5	2	NUT
4	0251327-3	2	OLIVE
5	1005073-0	3	WASHER
6	1017123-9	1	VALVE, check
7	1009279-9	1	WIRE (72" long)
8	1017129-6	1	DECAL, instructions
9	1017128-8	1	DECAL, warning
10	1009875-4	1	WIRE (12" long)
11	0230170-3	1	CONNECTOR, dual
12	0253321-4	1	CAP
13	0253320-6	1	SWITCH
14	0925615-7	1	CLAMP
	0921985-8	1	CAPSCREW, 3/8NF x1
	0916965-7	1	LOCKWASHER, 3/8
15	1017126-2	1	TUBING (60" long)
16	2080137-9	1	HEATER, thermostart
17	1009244-3	1	CLAMP
18	0249788-1	4	ROD
	0918264-3	4	WASHER, 1/4 SAE
	0920397-7	4	NUT, 1/4NC
19	0243473-6	2	BATTERY
20	1007707-1	2	CABLE, ground
21	1018310-1	1	CABLE, battery

REAR COUNTERWEIGHT
714B LOADER



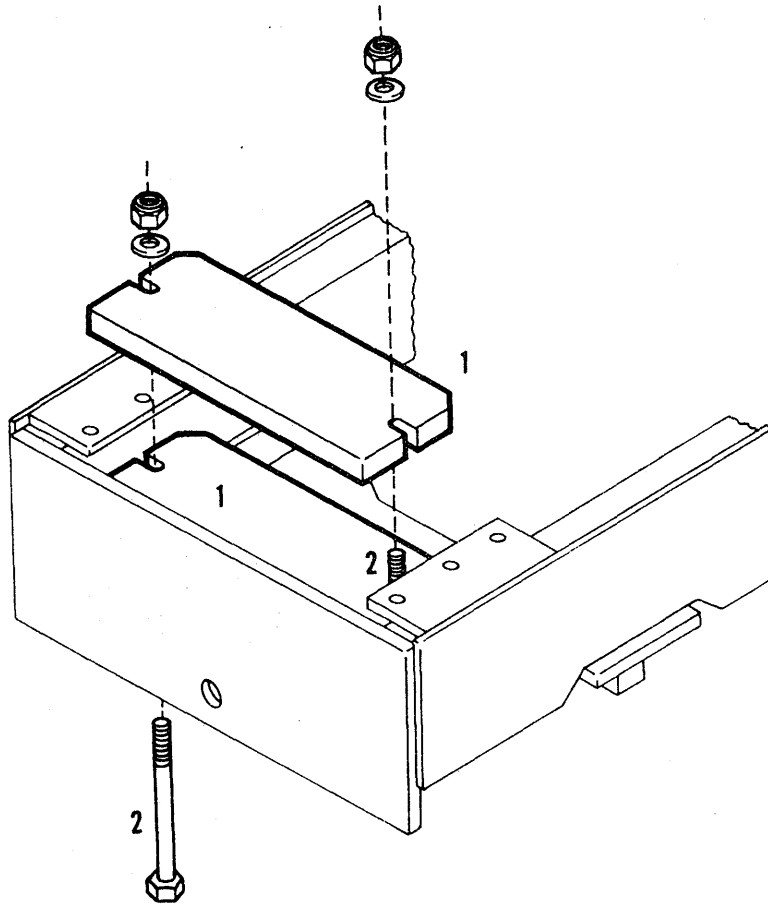
714B & 715B TRACTORS
ATTACHMENTS

243

REAR COUNTERWEIGHT
714B LOADER

ITEM	NUMBER	QTY.	DESCRIPTION
1	1019011-4	1	WEIGHT ASY. (Non-stocked item)
2	2018384-4	4	PIN, mount
3	0901349-1	4	PIN, cotter
4	1019019-7	1	PLATE, floor
5	0927187-5	6	CAPSCREW, tapite, 3/8NC x 1

COUNTERWEIGHT INSTALLATION
FRONT - FOR EXTENDABLE DIPPERSTICK



714B & 715B TRACTORS
ATTACHMENTS

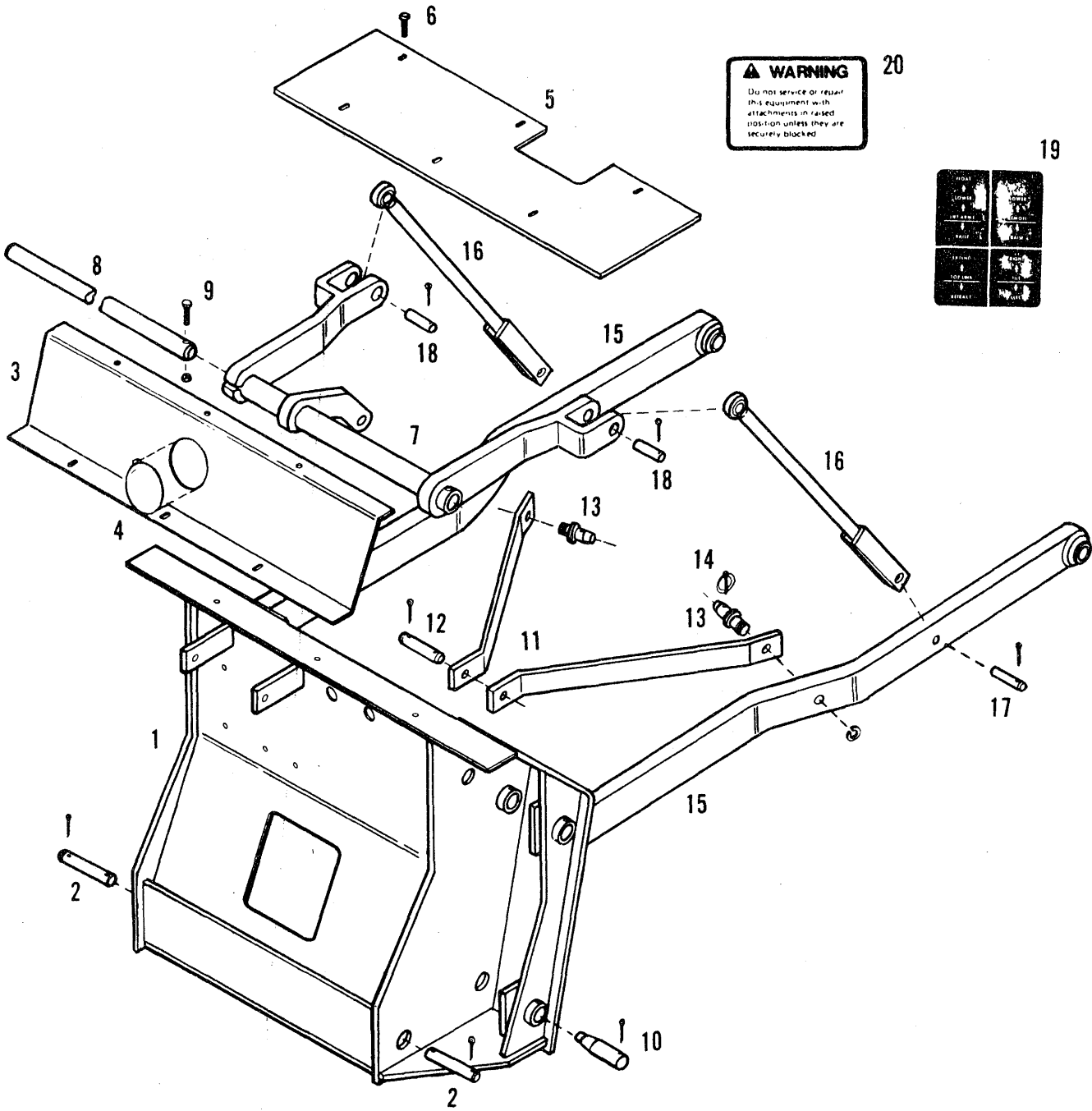
245

COUNTERWEIGHT INSTALLATION
FRONT - FOR EXTENDABLE DIPPERSTICK

ITEM	NUMBER	QTY.	DESCRIPTION
1	1018383-8	6	WEIGHT, front
2	0929141-0	2	CAPSCREW, 3/4NC x 10
	0918269-2	2	WASHER, flat, 3/4
	1010930-4	2	NUT, lock, 3/4NC

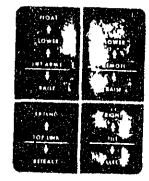
714B & 715B TRACTORS
ATTACHMENTS

MOUNTING
714B LOADER



WARNING
Do not service or repair
this equipment with
attachments in raised
position unless they are
securely blocked.

20



714B & 715B TRACTORS
ATTACHMENTS

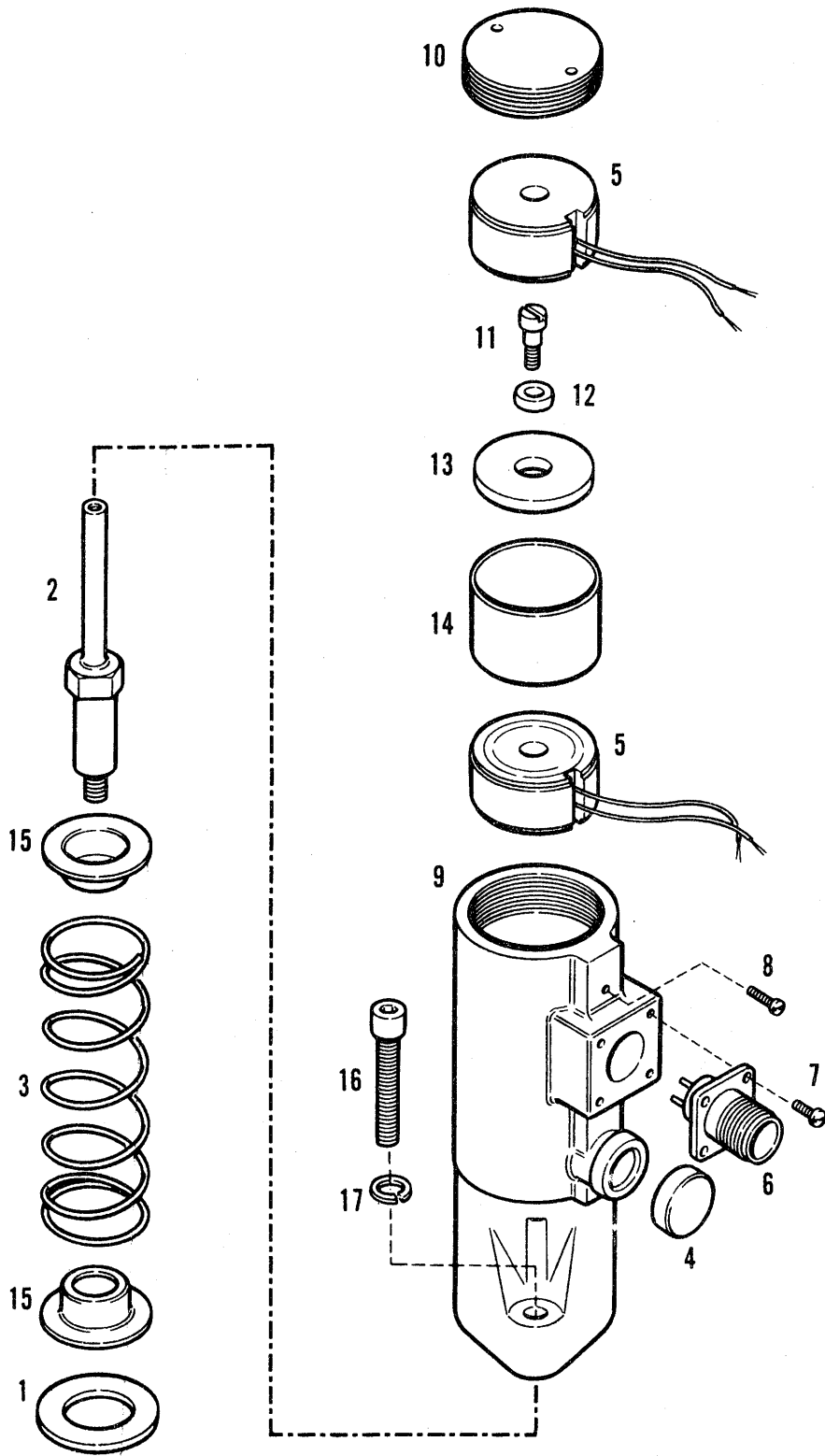
247

MOUNTING
714B LOADER

ITEM	NUMBER	QTY.	DESCRIPTION
1	1019531-1	1	FRAME ASY., mounting
2	1018561-9	2	PIN, eyebolt
	0925719-7	4	PIN, cotter, 1/8 x 2
3	1018570-0	1	COVER ASY., top rear
4	0253537-5	1	COVER, top, rear
5	1018571-8	1	COVER, top
6	0927187-5	9	CAPSCREW, self-tap, 3/8 x 1
7	1018830-8	1	TUBE ASY., lift (Replaced by 1019566)
	2018402-4	2	BUSHING
8	1018573-4	1	PIN, lift tube
9	0923320-6	1	CAPSCREW, 1/2NC x 3
	0923352-9	1	NUT, lock, 1/2
10	2018384-4	4	PIN, mount
	0929957-9	4	PIN, cotter, 3/8 x 3
11	1018568-4	2	BAR, sway (For Cat. I - Show 1019510 Cat. II)
12	1018562-7	1	PIN, sway bar
	0925719-7	2	PIN, cotter, 1/2 x 2
13	1018788-8	2	PIN, stabilizer
	0919426-7	2	LOCKWASHER, 7/8
	0920747-3	2	NUT, 7/8NF
14	0244066-7	2	PIN, quick hitch
15	1018726-8	2	ARM ASY., lift (For Cat. I - Show 1019507 Cat. II)
16	1018733-4	1	LINK ASY., fixed
17	1019563-4	2	PIN, lift link (Replaces 1018781)
	0925719-7	2	PIN, cotter, 1/8 x 2
18	1018781-3	3	PIN, lift link to pitch cyl.
	0925719-7	6	PIN, cotter, 1/8 x 2
19	1018777-1	1	DECAL, controls
20	1015117-3	1	DECAL, warning

714B & 715B TRACTORS
ATTACHMENTS

SPOOL RELEASE POSITIONER
ELECTRO-MAGNETIC



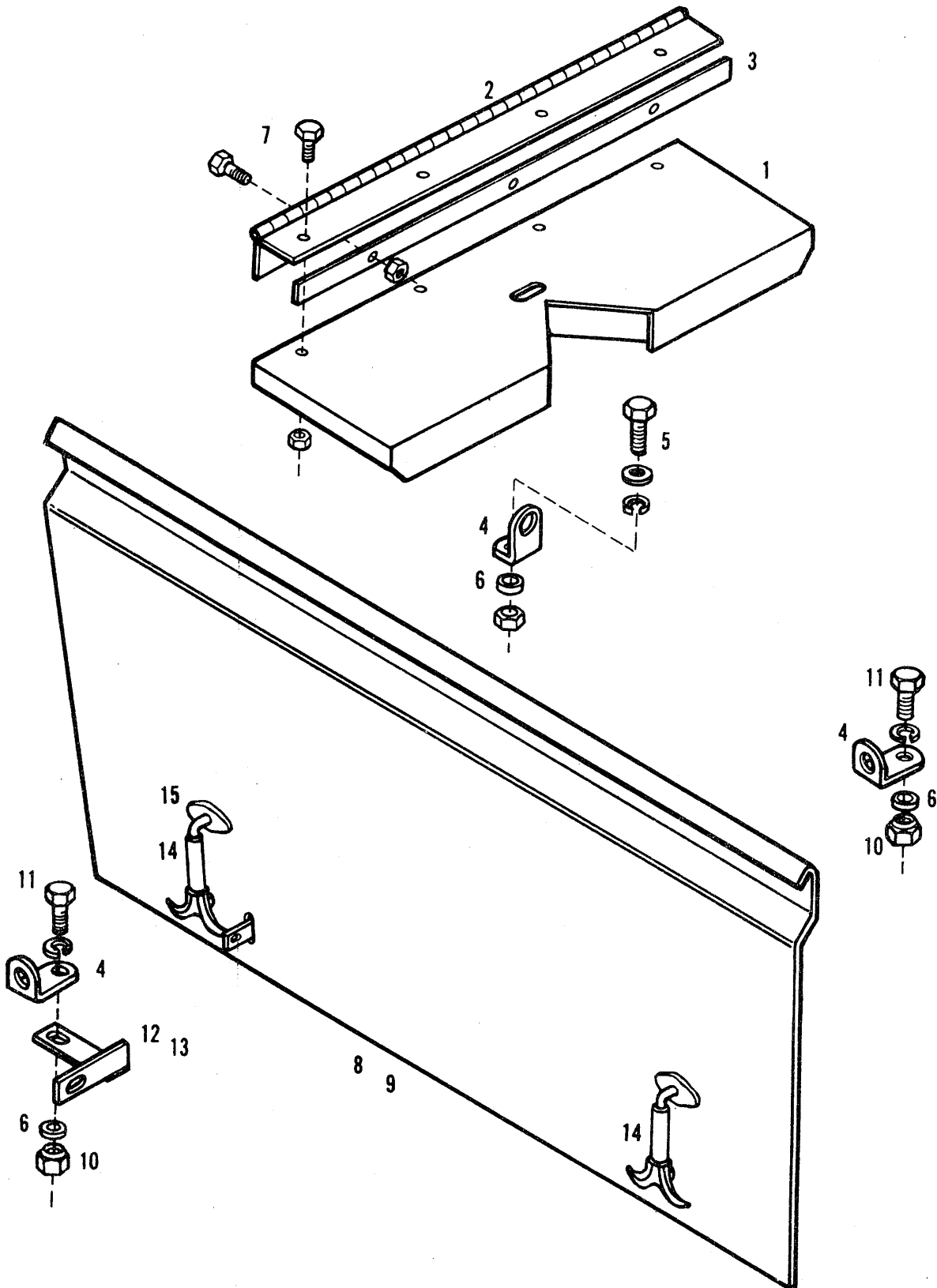
714B & 715B TRACTORS
ATTACHMENTS

249

SPOOL RELEASE POSITIONER
ELECTRO-MAGNETIC

ITEM	NUMBER	QTY.	DESCRIPTION
-	1016909-2	1	POSITIONER, spool release
1	-----	1	RETAINER, spool seal
2	-----	1	STUD, positioner
3	-----	1	SPRING
4	-----	1	CAP, seal
5	-----	2	MAGNET, electro
6	1018372-1	1	CONNECTOR, electrical
7	-----	4	SCREW
8	-----	1	SCREW
9	-----	1	BONNET
10	1018373-9	1	PLUG, bonnet
11	-----	1	SCREW, 3/16 x 5/32
12	-----	1	WASHER
13	-----	1	ARMATURE
14	-----	1	SPACER
15	-----	2	COLLAR, spring
16	-----	2	SCREW, housing, 1/4 x 1-1/4
17	-----	2	LOCKWASHER, 1/4
-	1018364-8	1	SERVICE KIT (Incl. Items 2, 5, 11, 12 & 13)

VANDALISM PROTECTION



714B & 715B TRACTORS
ATTACHMENTS

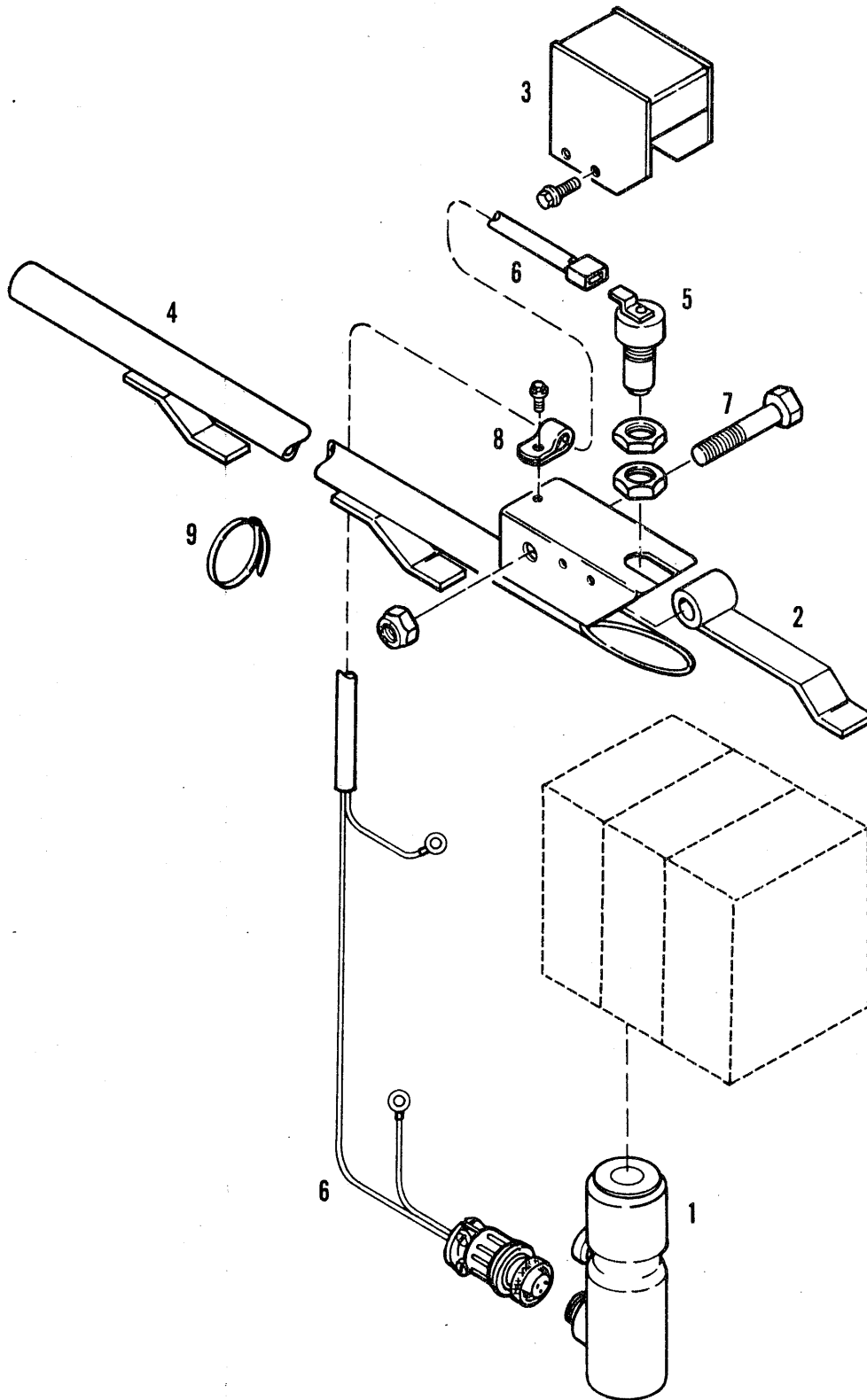
251

VANDALISM PROTECTION

ITEM	NUMBER	QTY.	DESCRIPTION
1	1016813-6	1	COVER ASY., instrument panel
2	1016806-0	1	HINGE, cover
3	1016805-2	1	SPACER, hinge
4	1003417-1	5	HASP
5	0920415-7	1	CAPSCREW, pltd., 3/8NC x 1-1/4
	0918266-8	3	WASHER, flat, pltd., 3/8
	0916965-7	1	LOCKWASHER, pltd., 3/8
	0916950-9	1	NUT, pltd., 3/8NC
6	1009950-5	5	SPACER, hasp
7	0921960-1	7	CAPSCREW, pltd., 1/4NC x 1
	0920397-7	7	LOCKNUT, pltd., 1/4NC
8	1016872-2	1	PANEL, R.H.
9	1016873-0	1	PANEL, L.H.
10	0646631-2	4	NUT, 3/8NC (weld on)
11	0921210-1	4	CAPSCREW, 3/8NC x 1
	0916965-7	4	LOCKWASHER, pltd., 3/8
12	1018025-5	1	TAB ASY., L.H.
13	1018026-3	1	TAB ASY., R.H.
14	0098029-2	4	LATCH
15	0916081-3	8	SCREW, rd. hd., pltd., 1/4NC x 1/2
	0920397-7	8	LOCKNUT, pltd., 1/4NC

714B & 715B TRACTORS
ATTACHMENTS

RETURN TO DIG



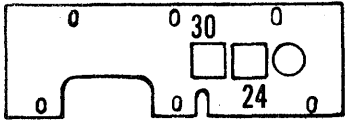
714B & 715B TRACTORS
ATTACHMENTS

253

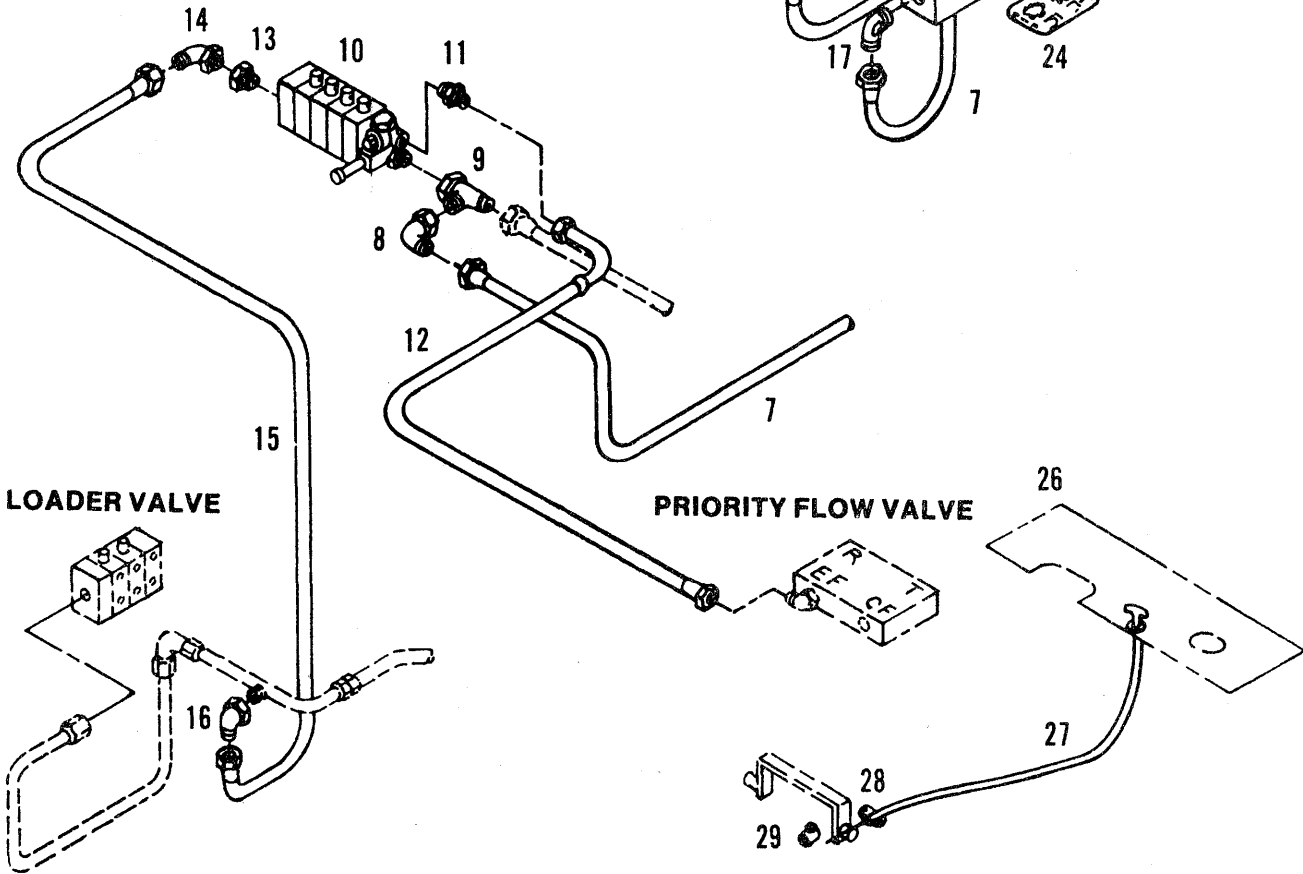
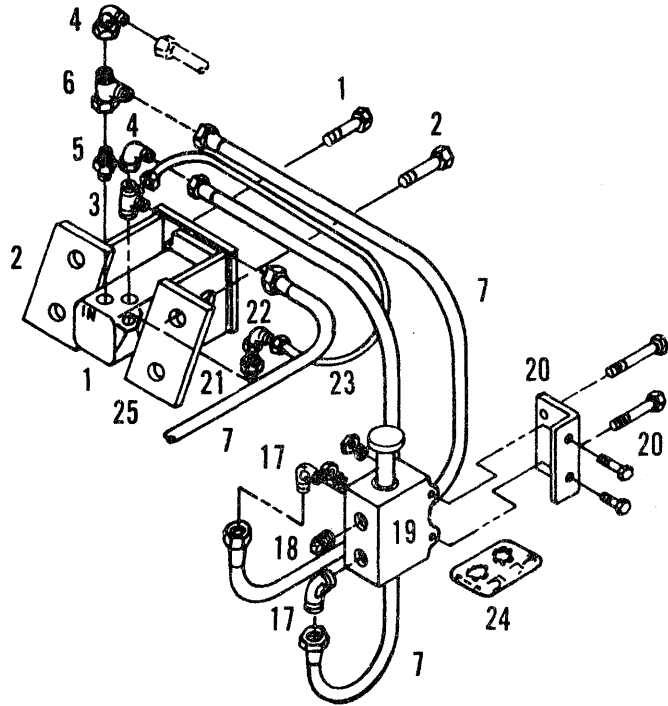
RETURN TO DIG

ITEM	NUMBER	QTY.	DESCRIPTION
1	1016909-2	1	SPOOL, release positioner (Refer to RELEASE SPOOL ASY. for component parts)
2	1018332-5	1	LEVER ASY., bucket indicator
3	1018349-9	1	COVER ASY., switch
	0925003-6	4	SCREW, taptite, 1/4NC x 1/2
4	1018363-0	1	TUBE ASY., indicator
5	1017922-4	1	SWITCH
6	1018361-4	1	HARNES, wiring
7	0923701-7	1	CAPSCREW, 3/8NC x 2
	0927537-1	1	NUT, lock, 3/8NC
8	0926919-2	1	CLAMP, harness
	0925003-6	1	SCREW, taptite, 1/4NC x 1/2
9	0930871-9	4	WRAP, tie

POWER TAKE-OFF
714B LOADER W/3 POINT HITCH



DECAL LOCATION



LOADER VALVE

PRIORITY FLOW VALVE

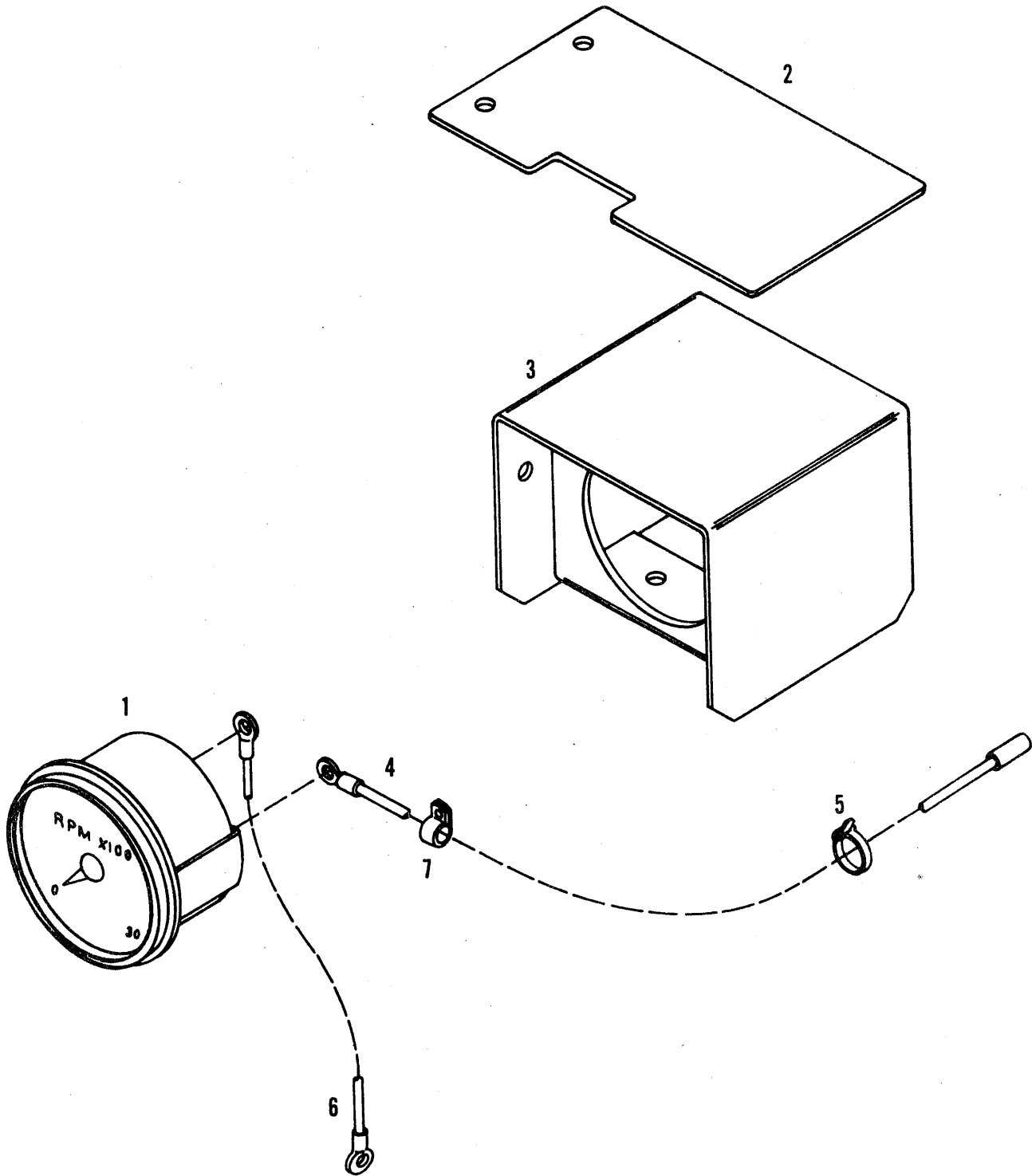
714B & 715B TRACTORS
ATTACHMENTS

255

POWER TAKE-OFF
714B LOADER W/3 POINT HITCH

ITEM	NUMBER	QTY.	DESCRIPTION
1	1019546-9	1	MOTOR ASY., hydraulic
	0922645-7	4	CAPSCREW, 1/2NC x 2-1/4
	0916966-5	4	LOCKWASHER, 1/2
	0917379-0	4	WASHER, flat, 1/2
	0916951-7	4	NUT, 1/2NC
2	1019547-7	1	BRACKET ASY., mounting
	0920328-2	4	CAPSCREW, 1/2NC x 1-1/2
	0916966-5	4	LOCKWASHER, 1/2
	0916951-7	4	NUT, 1/2NC
3	1019561-8	1	TEE, special - motor outlet (Incl. O-RING)
	0921206-9	1	O-RING
4	0919624-7	2	ELBOW, swivel - 90°
5	0921217-6	1	CONNECTOR (Incl. O-RING)
	0921206-9	1	O-RING
6	0921691-2	1	TEE, swivel
7	1016922-5	3	HOSE ASY., 3/4 x 18
8	0919625-4	1	ELBOW swivel
9	0925836-9	1	TEE, swivel
10	1018672-4	1	VALVE ASY., control (Refer to CONTROL VALVE ASY. for Component Parts)
11	0924296-7	1	CONNECTOR (Incl. O-RING)
	0921206-9	1	O-RING
12	1012476-6	1	HOSE ASY., 3/8 x 33
13	1019560-0	1	FITTING, power beyond
14	0921402-4	1	ELBOW
15	1008143-8	1	HOSE, 3/8 x .40
16	0925018-4	1	ELBOW, swivel
17	0919216-2	2	ELBOW
18	0901655-1	1	PLUG, 3/4NPT
19	2016210-3	1	VALVE ASY.
20	1019558-4	1	BRACKET, valve mounting
	0921333-1	2	CAPSCREW, 5/16NC x 1
	0921978-3	2	CAPSCREW, 5/16NC x 2
	0917356-8	4	LOCKWASHER, 5/16
	0917372-5	4	NUT, 5/16NC
21	0923163-0	1	CONNECTOR (Incl. O-RING)
	0921883-5	1	O-RING
22	0924044-1	1	ELBOW, swivel
23	1012504-5	1	HOSE ASY., 1/4 x 24
24	1019555-0	1	DECAL, control
25	1019556-8	1	DECAL, warning
26	1018571-8	1	COVER, hitch control
27	1016142-0	1	CABLE ASY.
	1023672-7	1	T-HANDLE (Morse)
	1023673-5	1	T-HANDLE (Cable Craft)
28	1006969-8	1	CLAMP & SHIM SET
	0917388-1	2	SCREW
	0901310-3	2	NUT
29	1006360-0	1	STOP, cable
	0909419-4	1	SETSCREW
30	1019924-8	1	DECAL, operation

TACHOMETER



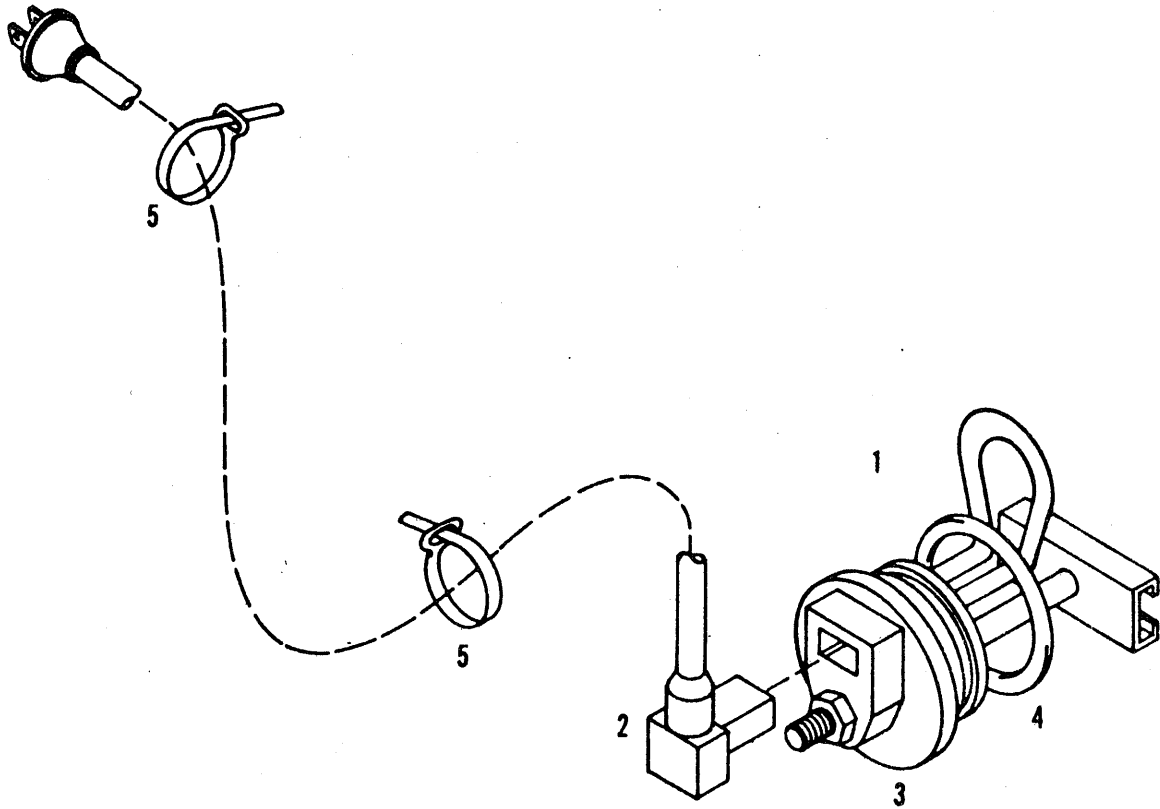
714B & 715B TRACTORS
ATTACHMENTS

257

TACHOMETER

ITEM	NUMBER	QTY.	DESCRIPTION
1	1019542-8	1	TACHOMETER
2	1022895-5	1	COVER, tachometer
	0923341-2	1	CAPSCREW, 1/4NC x 3/4
	0917377-4	1	WASHER, flat, 1/4
	0920397-7	1	NUT, lock, 1/4NC
3	1019543-6	1	BRACKET ASY.
	0923341-2	3	CAPSCREW, 1/4NC x 3/4
	0920397-7	3	NUT, lock, 1/4NC
4	1012520-1	1	WIRE ASY.
5	0925094-5	3	WRAP, tie
6	1019557-6	1	WIRE ASY., ground
7	0926919-2	1	CLAMP, wire

BLOCK HEATER



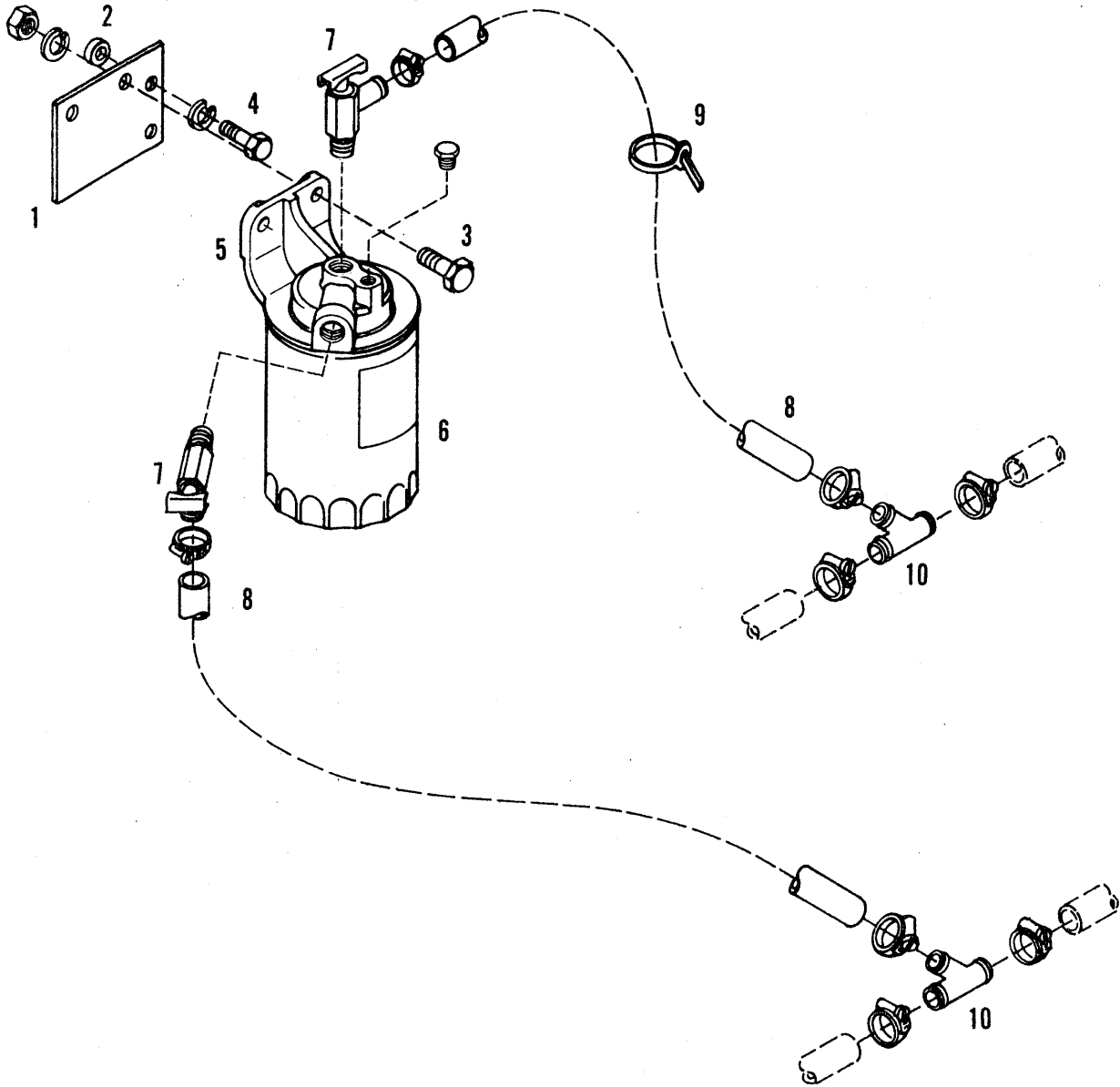
714B & 715B TRACTORS
ATTACHMENTS

259

BLOCK HEATER

ITEM	NUMBER	QTY.	DESCRIPTION
1	0256123-1	1	HEATER ASY., engine coolant (Incl. 2, 3 & 4)
2	0256157-9	1	CORD, heater
3	0256158-7	1	SCREW ASY., channel
4	0923947-6	1	O-RING
5	0925094-5	2	WRAP, tie

COOLANT FILTER



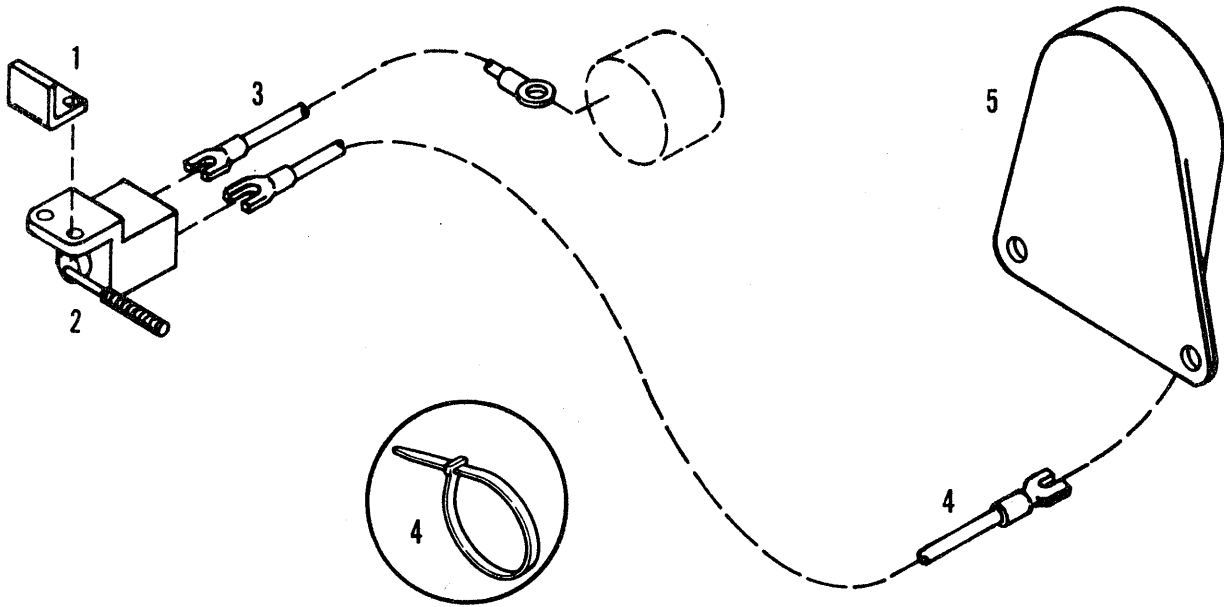
714B & 715B TRACTORS
ATTACHMENTS

261

COOLANT FILTER

ITEM	NUMBER	QTY.	DESCRIPTION
1	1019809-1	1	PLATE, mounting
2	1009950-5	2	SPACER
3	0921985-8	3	CAPSCREW, 3/8NF x 1
	0916965-7	3	LOCKWASHER, 3/8
	0918403-7	2	NUT, 3/8NF
4	0920622-8	1	CAPSCREW, 5/16NF x 1
	0917356-8	1	LOCKWASHER, 5/16
5	4393427-2	1	HEAD, filter
6	4029089-2	1	ELEMENT, filter
7	2020415-2	2	VALVE ASY.
8	1012518-5	1	HOSE (Cut to fit)
	0921911-4	8	CLAMP, hose
9	0925621-5	2	CLAMP, hose
10	1019670-7	2	FITTING, wye

BACK-UP ALARM



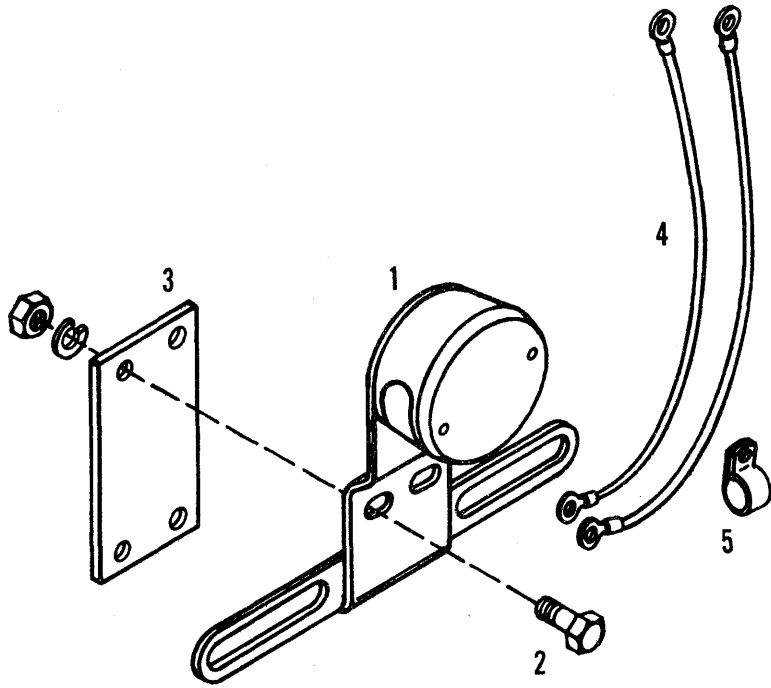
714B & 715B TRACTORS
ATTACHMENTS

263

BACK-UP ALARM

ITEM	NUMBER	QTY.	DESCRIPTION
1	1019658-2	1	BRACKET
2	1019788-7	1	SWITCH
	0917452-5	2	SCREW, No. 10NF x 1/2
	0917365-9	2	LOCKWASHER, No. 10
3	1019659-0	1	WIRE, switch to light switch
4	1023459-9	1	WIRE, switch to alarm
	0925094-5	2	WRAP, tie
5	1022629-8	1	ALARM, back-up
	0921960-1	2	CAPSCREW, 1/4NC x 1
	0916964-0	2	LOCKWASHER, 1/4
	0916622-4	2	NUT, 1/4NC

LICENSE PLATE



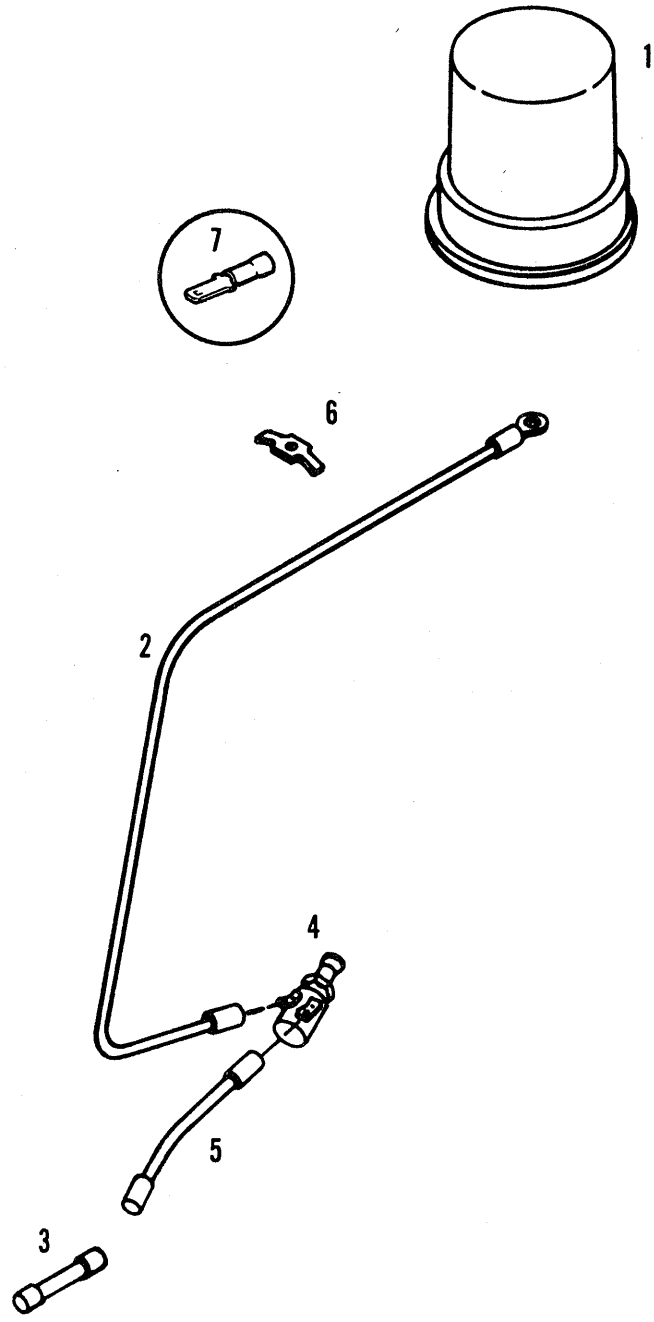
714B & 715B TRACTORS
ATTACHMENTS

265

LICENSE PLATE

ITEM	NUMBER	QTY.	DESCRIPTION
1	1019666-5	1	BRACKET, w/light
2	0921960-1	6	CAPSCREW, 1/4NC x 1
	0921880-1	6	WASHER, star, 1/4
	0916622-4	6	NUT, 1/4NC
3	1019923-0	1	PLATE, mounting
4	1013327-0	2	WIRE
5	0926919-2	2	CLAMP, wire

ROTATING BEACON



714B & 715B TRACTORS
ATTACHMENTS

267

ROTATING BEACON

ITEM	NUMBER	QTY.	DESCRIPTION
1	1019993-3	1	BEACON
2	1014169-5	1	WIRE, fuse to switch
3	1007838-4	1	FUSE (Obtain locally)
4	0234409-1	1	SWITCH KIT
5	1014623-1	1	WIRE, switch to light
6	1013338-7	2	CLIP, wire
7	1002203-6	1	TERMINAL, blade

RECOMMENDED DEALER STOCK

NOTE: This parts stock list indicates those items recommended to service FIVE units.

QTY.	PART NO.	DESCRIPTION
2	0241965-3	SWITCH, ignition
2	0241977-8	KEY, ignition
1	0243473-6	BATTERY (U.S.)
2	0244066-7	PIN, quick
4	0247336-1	COUPLER ASY.
1	0248109-1	FLASHER, 12 volt
1	0250545-1	BATTERY (U.S.)
1	0251239-0	GASKET
1	0251250-7	GASKET
1	0251284-6	GASKET
2	0251294-5	WASHER
1	0251313-3	SLEEVE
12	0251397-6	ELEMENT, fuel filter
2	0251693-8	BOLT
1	0251923-9	WASHER
1	0254490-6	THERMOSTAT, eng.
1	0254491-4	GASKET, therm.
1	0254891-5	CAP, radiator
1	0255018-4	COUPLER ASY., hyd.
2	0255200-8	BELT, fan
1	0255432-7	GASKET SET
4	0255947-4	SEAL KIT, hyd.
1	0257463-0	GASKET, exh. man.
1	0258627-9	PLATE
4	0931404-8	O-RING
1	1001637-6	WASHER
2	1002370-3	DEFLECTOR, seal
1	1004099-6	BUSHING, split
1	1004100-2	BUSHING, split
1	1004734-8	BUSHING, split
1	1005350-2	MOUNTING
1	1006174-5	PLUG
1	1008020-8	BUSHING, split
2	1008192-5	SEAL KIT, hyd.
1	1008554-6	DISK ASY.
2	1008688-2	SEAL KIT, hyd.
2	1008878-9	BUSHING, split
1	1010508-8	SEAL KIT, hyd.
1	1010510-4	SEAL KIT, hyd.
1	1010511-2	SEAL KIT, hyd.
1	1014121-6	FILTER ASY.
1	1017182-5	PISTON ASY.
12	1018030-5	ELEMENT, oil filter
1	1018031-3	SEAL, oil
1	1019039-5	PIN, king
12	1022005-1	ELEMENT, air cleaner
1	1043086-6	PIN
12	1167808-3	ELEMENT, air filter
1	2017634-3	SHANK
3	2017635-0	PIN
4	2017636-8	POINT
1	2018393-5	BUSHING, split
1	2018402-4	BUSHING, split
1	2019582-2	RING
20	4029089-2	ELEMENT, coolant
20	4511629-0	ELEMENT, oil filter
2	4760149-7	SENDING UNIT
2	4818262-0	GAUGE, temp.
1	4905789-6	GASKET
2	4912314-4	SWITCH, solenoid
110	4981218-3	ROLLER, bearing
10	9003928-0	SEALANT