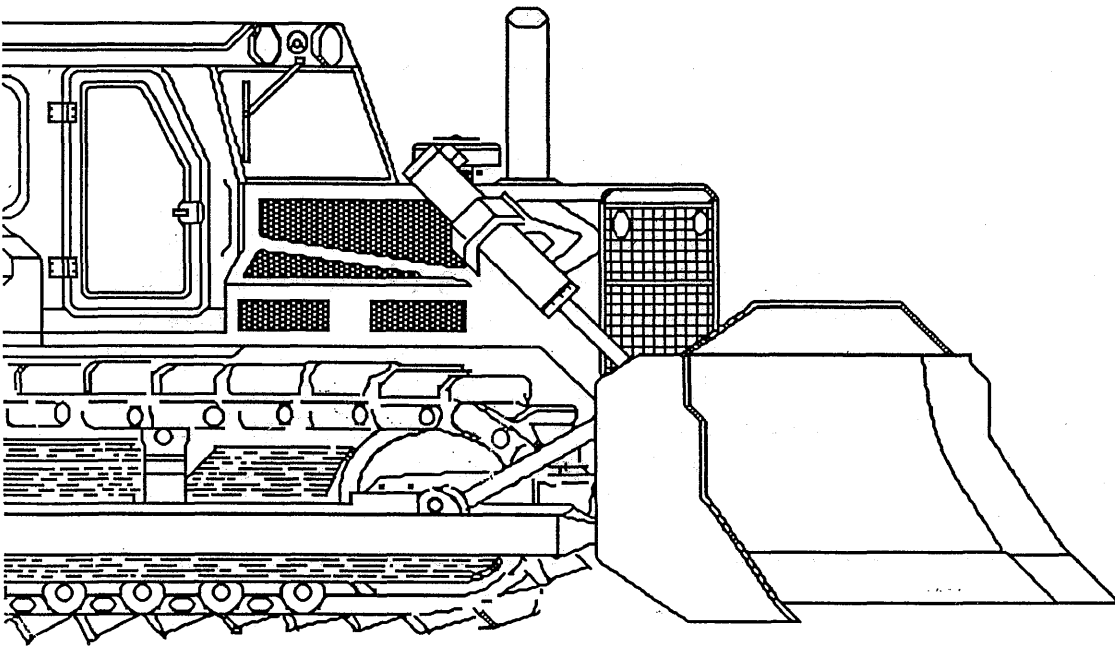


HD-21P

(POWER SHIFT)

Crawler Tractor

PARTS CATALOG



FORM 70634416 ENGLISH
REPRINT 10/90

AVOID ACCIDENTS

Most accidents, whether they occur in industry, on the farm, at home or on the highway, are caused by the failure of some individual to follow simple and fundamental safety rules or precautions. For this reason **MOST ACCIDENTS CAN BE PREVENTED** by recognizing the real cause and doing something about it before the accident occurs.

Regardless of the care used in the design and construction of any type of equipment there are many conditions that cannot be completely safeguarded against without interfering with reasonable accessibility and efficient operation.

A careful operator is the best insurance against an accident.
The complete observance of one simple rule would prevent many thousand serious injuries each year.
That rule is:

Never attempt to clean, oil or adjust a machine while it is in motion.

NATIONAL SAFETY COUNCIL

WARNING

On machines having hydraulically, mechanically, and/or cable controlled equipment (such as shovels, loaders, dozers, scrapers, etc.) be certain the equipment is lowered to the ground before servicing, adjusting and/or repairing. If it is necessary to have the hydraulically, mechanically, and/or cable controlled equipment partially or fully raised to gain access to certain items, be sure the equipment is suitably supported by means other than the hydraulic lift cylinders, cable and/or mechanical devices used for controlling the equipment.

Fiatallis is not responsible for any liability arising from any damage resulting from defects caused by parts and/or components not approved by Fiatallis for use in maintaining and/or repairing products manufactured or merchandized by Fiatallis.

In any case, no warranty of any kind is made or shall be imposed with respect to products manufactured or merchandized by Fiatallis when failures are caused by the use of parts and/or components not approved by Fiatallis.

HD-21P

(POWER SHIFT)

crawler tractor

parts catalog

S/N 12904 thru 16000

Form 70634416 English



WARNING

STUDY THE OPERATION AND MAINTENANCE
INSTRUCTION MANUAL THROUGH BEFORE STARTING,
OPERATING, MAINTAINING, FUELING OR SERVICING THIS
MACHINE.

**SUPPLEMENT No. 1
TO
PARTS CATALOG FORM 634416 (11-67)
HD-21P CRAWLER TRACTOR**

NOTE: This supplement includes additional data required to service units serial No. 14943 and up equipped with improved tracks and equalizing beam

NOTICE
THESE CHANGES ARE
INCLUDED IN THIS COPY



CONSTRUCTION MACHINERY DIVISION
SPRINGFIELD, ILLINOIS 62705

ADDITIONAL PUBLICATIONS

Additional publications pertaining to this model and to all other Fiat-Allis products are available through Fiat-Allis dealers. Publications are generally available in several languages. Refer to Service Publications Index Form 70658800 for all such publications; the index is available free from Fiat-Allis.

IMPORTANT

All parts listed herein, which have no specific usage indicated, are applicable to all models. Those parts which are used only on specific models are so indicated.

Attaching parts such as bolts, nuts, rivets, screws, washers, etc., are indented immediately following the parts which they attach.

Parts indicated with a square (□) are also available in packaged sets. Refer to section titled "PACKAGED PARTS".

The terms "right" and "left" used throughout this parts catalog are determined by facing the direction of forward travel.

INSTRUCTIONS FOR ORDERING PARTS

At the time this parts catalog was published the listed part numbers were current. It is our policy to constantly improve our machines and therefore, part numbers and design may change. When ordering parts, verify part numbers through your dealers microfiche which is up to date with all latest part numbers.

Order parts from the dealer covering the local territory.

ALWAYS GIVE THE MODEL AND SERIAL NUMBER OF MACHINE. IF PARTS ARE FOR AN ASSEMBLY WHICH HAS A MODEL AND/OR SERIAL NUMBER (SUCH AS ENGINE ASSEMBLY, PUMP ASSEMBLY), ALSO INCLUDE THIS INFORMATION.

To obtain parts promptly, give part name and part number.

Give post office address, town, county and state where parts are to be shipped. Also specify whether material is to be shipped by freight, express or parcel post.

Confirm all telephone or telegraph orders in writing.

Parts for standard motor accessories such as generators and starting motors should be ordered from authorized Service Stations maintained by manufacturers of these units throughout the country.

No credit will be allowed on parts unless they are returned to the dealer from whom they were purchased; from there they will be returned, at the customer's expense, to the factory for inspection.

Unless claims for shortages or errors are made immediately upon receipt of goods, they will not be considered.

When broken goods are received, a full description of the damage should be made by the carrier agent on the freight bill. If this description is insisted upon, full damage can always be collected from the transportation company.

No responsibility is assumed for delay or damage to merchandise while in transit. Our responsibility ceases upon delivery of shipment to the transportation company from whom a receipt is received showing that shipment was in good condition when delivered to them; therefore, claims (if any) should be filed with the transportation company

The right is reserved to change the construction or material of any parts where it seems desirable to do so without incurring the obligation of installing such changes on units already delivered.

(Specifications and design subject to change without notice)

MODEL IDENTIFICATION

The symbol listed below is stamped in front of the model serial number on each unit.

MODEL SYMBOL	ENGINE MODEL	DESCRIPTION
HD-21P	21000H	40 link track with 7 roller oscillating frames, 84" tread and power shift transmission.
HD-21P	21000-Mark II	40 link track with 7 roller oscillating frames, 84" tread and power shift transmission.

RECORD YOUR SERIAL NUMBERS BELOW

TRACTOR SERIAL NO. _____

ENGINE SERIAL NO. _____

SERIAL NUMBER LOCATIONS

TRACTOR SERIAL NO. On steering clutch housing at the upper right hand corner of the rear face and vertically on right hand side of the rear edge. Also on small plate attached to the cowl.

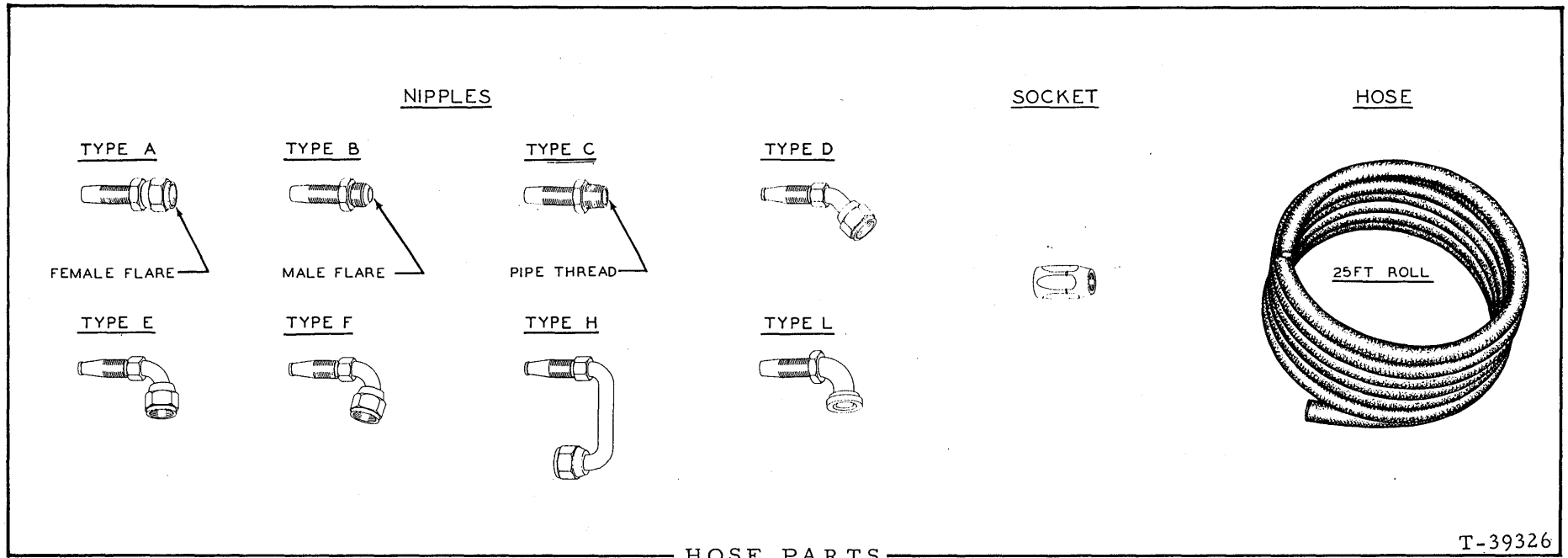
ENGINE SERIAL NO. On plate attached to the left hand side of the cylinder block near the rear end. Also on small plate attached to the cowl.

ALPHABETICAL INDEX

Accessory Drive	37	Fan Guard	101
Air Cleaner	88, 91, 92	Filters	
Air Heater	95	Coolant	120, 122
Air Restriction Indicator	88, 91	Engine Oil	47, 49, 51, 53
Batteries and Cables	309	Fuel	56, 58
Battery Box	311	Severe-Service Fuel	56
Battery Box Lock	311, 313	Severe-Service Oil	51, 53
Belt, Drive	107, 109	Steering Oil	203, 206, 208
Belt, Seat	277	Transmission Oil	165, 168, 170
Bevel Gear and Shaft	187	Final Drive	
Bottom Guards	237, 239, 241	Housing	189
Brake Control	233	Intermediate Gears	194
Brake Drum	191	Outboard Bearing and Seal	197
Brakes	229	Pinion Shaft	191
Camshaft	33	Sprocket, Shaft and Gear	199
Connecting Rod	22	Floor	274
Control Valve and Lines	218	Flywheel	28
Conversion Tables	14	Flywheel Housing	27
Coolant Filter	120, 122	Front Fenders	272
Cowl	275	Front Pusher	320
Crankcase Guard	237, 239, 241	Fuel Filter	56, 58
Crankshaft	24	Fuel Lines	61, 62
Crankshaft Pulley	26	Fuel Tank	63
Cylinder Block	18	Fuel Tank and Seat Guard	325
Cylinder Head	31	Gauges	
Cylinder Sleeve	18	Air Restriction Indicator	88, 91
Drawbar	284, 285	Ammeter	296
Elements		Bevel Gear Comp. Oil Level	189
Air Cleaner	88, 91	Engine Oil Level	18
Coolant Filter	120, 122	Engine Oil Pressure	295
Engine Oil Filter	47, 49, 54	Engine Temperature	296
Fuel Filter	54, 58	Fuel Level	63
Severe-Service Fuel Filter	54	Fuel Pressure	298, 299
Severe-Service Oil Filter	54	Hour Meter	302
Steering Oil Filter	210, 211, 212	Track Wear	327
Transmission Breather	145	Transmission Hydraulic Pressure	301
Transmission Oil Filter	172	Transmission Lube Oil Pressure	300
Engine Breather	29	Transmission Oil Level	145
Engine Clutch Oil Return	138	Generator	305
Engine Clutch Scavenging System	137	Generator Regulator	305
Engine Decelerator	73	Governor Control Linkage	79
Engine and Mounting	16	Grille Screen	314, 315
Engine Primer	98	Ground Speed Governor	163
Engine Shut-off Control	77	Heat Exchanger	40, 113, 115
Engine Side Screens	316	Hood	271
Equalizing Beam	248, 249	Hood Side Plates	319
Equalizing Spring	247	Hose parts	6
Exhaust Manifold	86	Hour Meter	302
Exhaust Pipe	87	Hydraulic Steering Control	201
Fan	107	Hydraulic Track Adjuster	261

ALPHABETICAL INDEX

Injection Nozzles and Lines	71	Steering Clutch & Final Drive Housing	189
Injection Pump	67	Steering Clutches	193
Instruments	296	Steering Control	201
Intake Manifold	81	Steering Control Valve and Lines	218
Lights		Steering Levers and Linkage	223
Dash	296	Steering Pump and Filters	203, 206, 208
Head	289	Tail Light	292
Rear Flood	294	Thermostat	118
Tail	292	Throttle Control	73
Lights and Wiring	289	Timing Gear Housing	21
Main Frame	237	Timing Gears	24, 33, 37
Main Housing	189	Tool Box	327
Manifolds		Tools	327
Exhaust	86	Torque Converter	125, 127, 129
Intake	81	Track	257, 259
Water Inlet	113, 115	Track Carrier Roller	255
Water Outlet	118	Track Frame	243
Numerical Index	328	Track Idler	253
Oil Cooler	40, 113, 115	Track Release	261
Oil Filter	47, 49, 51, 53	Track Roller	251
Oil Pan	39	Track Roller Guards	245
Oil Pumps	41	Transmission	
Packaged Parts	10	Assembly	143
Painting and Marking	286	Bevel Pinion Shaft	155
Piston	22	Case and Covers	145
Primer	98	Clutch Shafts	149
Pumps		Input Shaft	153
Air Heater	95	Oil Baffles	147
Engine Oil	41	Transmission Guards	237, 239, 241
Engine Primer	98	Transmission Oil Pump and Filter	165, 168, 170
Fuel Injection	67	Turbocharger	83
Push-Start	157	Universal Joint	140
Steering	203, 206, 208	Valve Operating Mechanism	33
Transmission	165, 168, 170	Valves	
Water	109	Air Heater Check	95
Push-Start Pump	157	Brake	229
Pusher	320, 323, 324	Clutch Modulating	183
Radiator Curtain	315	Engine Oil Pressure Regulating	18
Radiator Guard	263, 267, 269	Exhaust	31
Radiator and Mounting	101	Fuel Injection Pressure Relief	67
Radiator Screen	101	Hyd. Track Relief	261
Raincap	88, 91	Intake	31
Rear Fenders	282, 283	Pressure Oil Pump Relief	41
Rear Flood Light	294	Push-Start	157
Rear Pusher	323, 324	Speed Control	183
Seat	277	Steering Control	218
Speed Control Linkage	181	Torque Converter Pressure Regulating	132
Speed Control Piping	177	Water Inlet Manifold & Heat Exchangers	113, 115
Speed Control Valves	183	Water Outlet Manifold	118
Starter	307	Water Pump	109



HOSE PARTS

T-39326

NOTE: Refer to right hand column for identity of interchangeable crimped-type hose (fittings not re-usable). Assembly number shown in left hand column indicates available replacement hose assembly with re-usable components; where no assembly number is listed, hose assembly is not available from factory but may be constructed in the field from data indicated.

HOSE ASSEMBLY NO. (See NOTE)	BULK HOSE (25' roll)	HOSE LENGTH (inches)	NIPPLE (#1 end)			NIPPLE (#2 end)			SOCKET (both ends)	NIPPLE FLANGE		CRIMPED-TYPE HOSE (See NOTE) Part No.
			Including SOCKET	NIPPLE only	Type	Including SOCKET	NIPPLE only	Type		Part No.	X Dim	
70634585	70920724	45	70920855	70919144	B	70920862	70919194	E	70919143			70645080
70639516	70920222	63-1/2	70921033	70921034	A		70922505	L	70919282			
70639518	70920222	18-1/4	70921033	70921034	A	70921033	70921034	A	70919282			
70639531	70920222	80-1/2	70921033	70921034	A		70922505	L	70919282			
70939624	70919218	68-1/4	70920850	70920303	A	70920865	70919081	E	70919076			70645084
70639631	70920727	104-1/2	70920852	70920344	A	70920882	70919278	D	70919281			
70639634	70919218	63-1/4	70920850	70920303	A	70920865	70919081	E	70919076			70645089
70640385	70919155	37-1/2	70920849	70920302	A	70920864	70919082	E	70919075			70644453
74386238	70919821	28-1/4		70921225	C		70920513	E	70919820			

70645083	70919218	76-1/2	70920850	70920303	A	70920865	70919081	E	70919076				
70645085	70919218	51	70920850	70920303	A	70920865	70919081	E	70919076				
70645086	70919218	44	70920850	70920303	A	70920880	70919254	D	70919076				
70645088	70919155	69	70920849	70920302	A	70920864	70919082	E	70919075				
70645092	70919155	26	70920849	70920302	A	70920849	70920302	A	70919075				
70645094	70919218	97-1/4	70920850	70920303	A	70920865	70919081	E	70919076				
70645253	70919156	50	70920872	70919158	E	70920872	70919158	E	70919076				
70646158	70919156	7-3/4	70920850	70920303	A	70920858	70919080	B	70919076				
70646582	70919156	50	70920880	70919254	D	70920872	70919158	E	70919076				
70647414	70920221	23	70920882	70919278	D	70920867	70919277	E	70919281				
70648230	70919155	8	70920849	70920302	A	70920857	70919079	B	70919075				
70650459	70920728	79-1/2	70921033	70921034	A	70920875	70920232	E	70919282				
70650967	70919156	11-1/2	70920850	70920303	A	70920858	70919080	B	70919076				
70651990	70920728	16-1/4	70921033	70921034	A	70920875	70920232	E	70919282				
70651991	70920222	99	70921033	70921034	A	70921033	70921034	A	70919282				
70651999	70919155	16-3/16	70920849	70920302	A	70920857	70919079	B	70919075				
70652015	70920221	23-5/8	70920852	70920344	A	70920867	70919277	E	70919281				
70652025	70919155	39-3/8	70920857	70919079	B	70920864	70919082	E	70919075				
70652026	70919156	37-1/2	70920858	70919080	B	70920865	70919081	E	70919076				
70654501	70919155	79-3/8	70920849	70920302	A	70920864	70919082	E	70919075				
70658607	70920221	14-5/8	70920882	70919278	D	70920882	70919278	D	70919281				
70658799	70919196	37-3/4	70920847	70920301	A	70920877	70919207	D	70919143				
70659401	70920222	89	70921033	70921034	A	70920868	70920144	E	70919282				
70659546	70919155	12-7/8	70920849	70920302	A	70920864	70919082	E	70919075				
70659547	70919155	20-1/2	70920849	70920302	A	70920849	70920302	A	70919075				

PACKAGED PARTS

PACKAGE
NUMBER

DESCRIPTION

70659707		INSTALLATION KIT, engine (Tractors prior to #14605)
	1	----- OIL FILTER KIT (See page 53 for details)
	1	----- CONVERSION KIT, oil piping(Components listed below)
	1	70095869 CLIP, tube supporting
	2	70644457 CLIP, hose supporting
	1	70646631 NUT, fuel line supporting (welds to frame)
	1	70655460 HOSE, air cleaner to turbocharger
	1	70657548 ANGLE, hose supporting
	2	70658514 BLOCK, tube supporting
	1	70658517 VALVE ASSEMBLY, torque converter
	1	70658556 GASKET, torque converter valve
	1	70658607 HOSE, torque converter to transmission
	1	70658610 TEE, oil supply hose
	4	70658779 CLAMP, air cleaner to turbocharger hose
	1	70659385 ANGLE, hose supporting
	1	70659401 HOSE, control valve to converter
	1	70659432 TUBE, heat exchanger to converter
	1	70659433 TUBE, converter to heat exchanger
	1	70918115 ELBOW, inverted flare 3/8" tube, 3/8"NPT male
	1	70921228 CONNECTOR, flare type, 1" tube, 1-5/16"NF male
	1	70924828 O-RING, torque converter to flywheel housing
	1	74371742 GASKET, steering pump mounting
	1	----- INSTRUCTION SHEET S-4973
	1	----- LOT OF MISC. ATTACHING HARDWARE
	1	70655452 HANGER, engine supporting, front
	2	70900806 PIN, cotter, 1/8" x 1"
	14	70916009 WASHER, shimming
	2	70924694 SCREW, flanged head, 1/2"NC x 3"
	2	74336491 LINER, engine hanger
	1	----- INSTRUCTION SKETCH S-4964
	1	----- INSTRUCTION SKETCH 70649381
	1	----- PRINT of 70659707

PACKAGED PARTS

PACKAGE NO.	DESCRIPTION
70661587	RELOCATION KIT, transmission filter (For tractors prior to #14537 only)
5	70904206 LOCKWASHER, 3/8"
5	70904208 LOCKWASHER, 1/2"
4	70911028 NUT, 1/2"NC
3	70911041 NUT, 3/8"NF
1	70911043 NUT, 1/2"NF
2	70911115 WASHER, plain, SAE std., 3/8"
2	70916388 CAPSCREW, 3/8"NF x 2-3/4"
3	70321214 O-RING, transmission filter and pump
1	70035018 CAPSCREW, 1/2"NF x 1-1/2"
3	70035236 CAPSCREW, 1/2"NC x 1-3/4"
2	70035244 CAPSCREW, 3/8"NC x 3/4"
1	70035718 CAPSCREW, 1/2"NC x 3/4"
1	70036032 CAPSCREW, 3/8"NF x 3/4"
2	70044973 WASHER, plain, 3/8"
3	70055234 CLIP, fuel return tube (3/4" diam.)
1	70056721 CAPSCREW, 3/8"NC x 2-1/2"
1	70064531 WASHER, plain, 1/2"
3	70093751 BOOT, tube protecting (3/8" tube)
3	70093752 BOOT, tube protecting (1/2" tube)
1	70093976 ANGLE, retracting spring(Engine shut-off control rod)
1	70094467 CLIP, fuel return hose (3/4" diam.)
3	70097534 CLIP, fuel supply tube (7/8" diam.)
1	70622992 CLIP, fuel supply hose (7/8" diam.)
1	70633497 ANGLE, hose supporting
1	70635720 SPACER, hose clip
1	70637589 STRAP, hose supporting
2	70644006 CLIP, fuel pressure gauge hose (9/16" diam.)
1	70644611 CLAMP, hose supporting
1	70645075 HOSE, transmission clutch pressure gauge
2	70646728 NUT, high 3/8"NC (Require welding to inside of left rear fender)
1	70650967 HOSE, fuel supply, rear
1	70651990 HOSE, transmission pump to filter
1	70651991 HOSE, filter to speed control valve
1	70651995 BRACKET, filter mounting
1	70651999 HOSE, fuel return, rear
1	70652004 TUBE ASSEMBLY, fuel return
1	70652005 TUBE ASSEMBLY, fuel supply
1	70652025 HOSE, fuel return, front
1	70652026 HOSE, fuel supply, front
1	70658799 HOSE, fuel pressure gauge
1	----- INSTRUCTION SKETCH S-5070
1	----- PRINT OF 70661587

(Revised August 1979)

PACKAGED PARTS

PACKAGE NO.

DESCRIPTION

74391360

CONVERSION KIT, crankshaft damper (For engines prior to #21-06709)(Discontinued, Order kit 74395634)

1	74388217	DAMPER, crankshaft pulley
1	74388240	PULLEY, water pump
1	70438253	PULLEY, water pump idler
1	74388326	BELT, water pump
1	74388339	BRACKET, water pump idler pulley
1	74388342	BRACKET, water pump lube hose
1	74390838	CAPSCREW, crankshaft pulley
1	74390934	PULLEY, crankshaft
6	74391022	BOLT, crankshaft damper
1	74391230	KEY, crankshaft filler
4	74751643	BOLT, water pump pulley
1	70919134	PLUG, pipe, idler pulley bracket

74394971

OIL PUMP CONVERSION KIT (Includes "ACULOP" pump, piping, and oil pan)

1	70035250	PLUG
1	70667252	GASKET
1	70902872	SETSCREW
2	70911992	WASHER
34	70912007	WASHER
4	70914678	LOCKWASHER, 7/16"
2	70916313	CAPSCREW, 1/2"NC x 1-3/4"
8	70916543	LOCKWASHER, internal tooth, 3/8"
4	70916871	NUT, elastic stop, 5/16"NC
1	70918851	PLUG, pipe, 3/4"NPT
1	70919822	NIPPLE, 1/2"NPT x 3-1/4"
1	70921216	PLUG, 1-5/16"NF (Includes 70921214 O-RING)
2	70921569	CAPSCREW, 7/16"NC x 1-1/4"
4	70922064	CAPSCREW, 12 pt. hd., 1/2"NC x 1"
32	70922220	CAPSCREW, 12 pt. hd., 1/2"NC x 1-1/2"
1	70922420	PLUG, pipe, ctsk., sq. hd., 1-1/2"NPT
6	70923193	CAPSCREW, 3/8"NF x 1-1/4"
2	70924228	CAPSCREW, 3/8"NF x 1-1/2"
1	70924636	PLUG, brass, hex.hd., 1/2"NPT
2	70927044	O-RING
2	70927583	CAPSCREW, 7/16"NC x 1-3/4"
2	70928212	NUT, 7/16"NC
1	74320597	VALVE
1	74362338	PLUG
1	74393341	BRACKET
2	74393359	GASKET
1	74393362	ELBOW
1	74393364	TUBE
2	74393397	CAPSCREW
1	74393599	BRACKET
2	74393600	U-BOLT
2	74393601	SADDLE
1	74393973	OIL LEVEL GAUGE
1	74394200	ADAPTER

(Continued)

(Revised August 1979)

PACKAGED PARTS

PACKAGE NO. DESCRIPTION
 74394971 (Cont'd) OIL PUMP CONVERSION KIT (Continued)

1	74394957	ELBOW
4	74395024	DOWEL
1	74395053	BLOCK
1	74395060	TUBE
1	74395061	TUBE
1	74395062	BRACKET
1	74395235	OIL PAN
1	74395803	GASKET SET
1	74396041	OIL PUMP

74396006 GASKET KIT, intermediate, engine cylinder block (Does not include cylinder head or oil pan gaskets)

2	70667252	GASKET, drain plug
8	70923379	O-RING, water tube
1	70923575	O-RING, idler pin
3	70923590	O-RING, cover plate
8	70923645	O-RING, injection pump line
2	70923651	O-RING, bonnet tube
2	70923810	O-RING, dowel
1	70923813	O-RING, idler gear pin
5	70923934	O-RING
1	70923935	O-RING, water pump flange
1	70923936	O-RING, cam
1	70923950	O-RING, idler support mounting
12	70925612	O-RING, water inlet manifold
1	70924142	O-RING, pump adapter
2	74113897	GASKET, cap nut
4	74119937	GASKET, plugging capscrew
5	74255511	O-RING, heat exchanger/oil filter
2	74255513	O-RING, oil filter
14	74255631	O-RING, oil cooler
4	74255665	O-RING, fuel pump bracket
2	74255781	O-RING, heat exchanger elbow
1	74255898	O-RING
1	74255904	O-RING
1	74255912	O-RING, flywheel
1	74310257	GASKET, oil filler pipe
1	74336897	O-RING, flywheel housing
1	74361740	GASKET, idler support
1	74367090	GASKET, tachometer hole nut
1	74371027	GASKET, gear housing hole cover
2	74371160	GASKET, heat exchanger
1	74371289	GASKET, oil pan cover
3	74371345	GASKET, oil tube
1	74371742	GASKET, cover
1	74376398	GASKET, water pump
1	74376603	GASKET, accessory drive
1	74376609	GASKET, gear housing cover
7	74376749	WASHER, push rod cover capscrew
2	74377120	GASKET, push rod cover

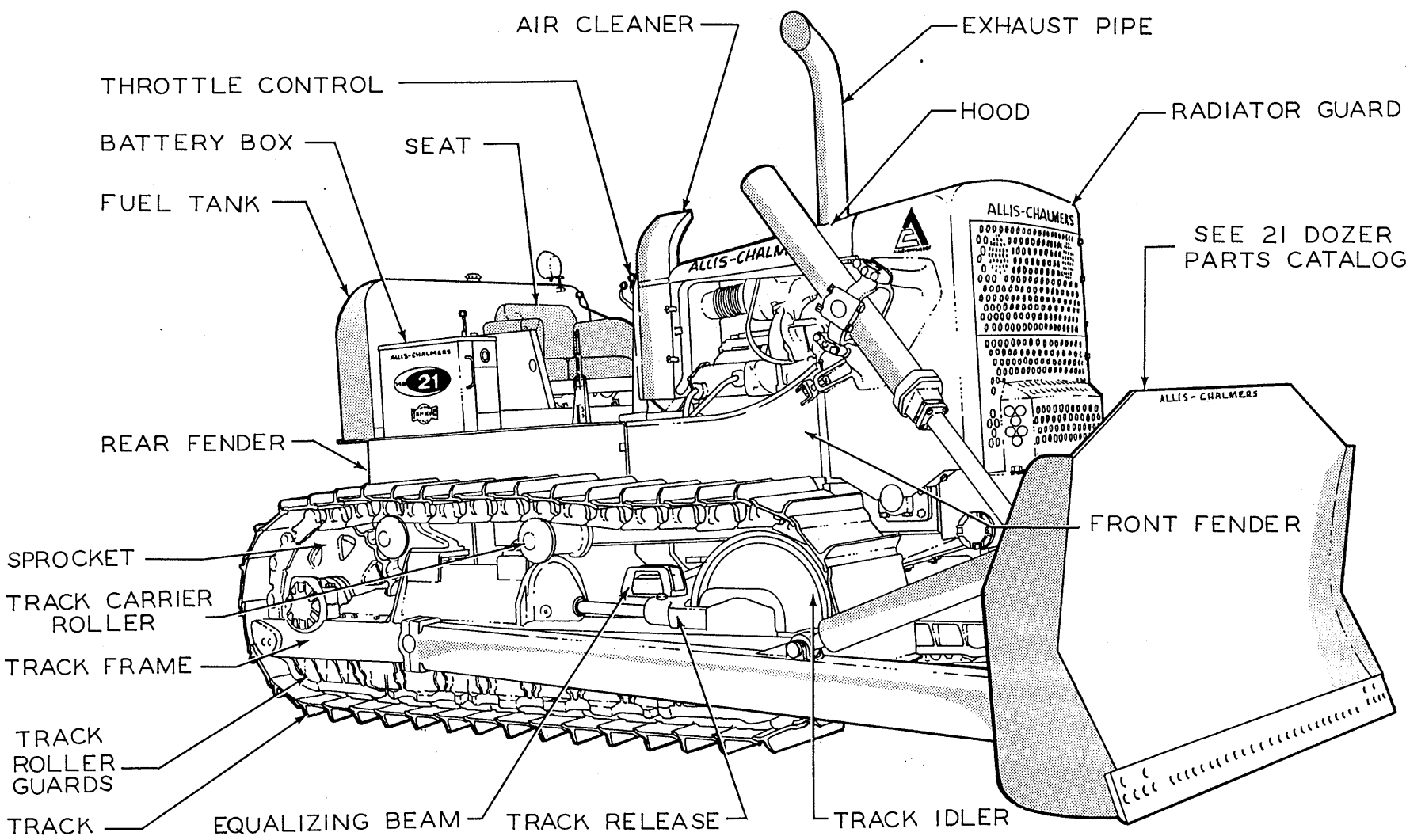
(Continued)

PACKAGED PARTS

PACKAGE NO.	DESCRIPTION
74396006 (Cont'd)	GASKET KIT, intermediate, engine cylinder block (Does not include cylinder head or oil pan gaskets)
2	74378112 GASKET, lower by-pass flange
1	74379070 SEAL, oil pan
1	74385317 GASKET, water manifold
1	74385320 GASKET, bonnet
1	74386223 GASKET, bonnet
1	74386495 GASKET, water and oil manifold, lower
1	74386856 GASKET, heat exchanger
1	74387525 GASKET, cover
1	74389291 GASKET, water and oil manifold, upper
1	74389635 GASKET
1	74389676 GASKET, heat exchanger
1	74389678 GASKET, heat exchanger
3	74389782 GASKET, oil tube
1	74390432 GASKET, housing cover
4	74393359 GASKET, oil lines
1	74394673 GASKET, timing hole cover
1	74394677 GASKET, timing gear housing cover
1	74394678 GASKET, timing gear housing
1	74660423 GASKET, oil line
1	74660492 GASKET, gear housing

74396408	GASKET KIT, cylinder head
1	70928905 O-RING, water outlet manifold
2	74025781 GASKET, turbocharger mounting
1	74029746 GASKET, front cross over
8	74254873 WASHER, rocker cover capscrew
8	74255956 SLEEVE, fuel line (rubber)
1	74339532 GASKET, turbocharger oil drain
1	74361551 GASKET, air intake elbow
1	74376520 GASKET, thermostat housing cover
6	74378031 GASKET, nozzle
1	74386137 GASKET, thermostat by-pass tube
12	74387697 GASKET, intake and exhaust manifold
2	74389961 GASKET, cylinder head cover (upper)
1	74391707 GASKET, air inlet
2	74393989 GASKET, cylinder head cover (lower)
1	74395425 GASKET, manifold connecting
2	74395487 GASKET ASSY., cylinder head (Includes instruction sheet)
6	74395709 GASKET, water outlet manifold
1	74395713 GASKET, cover

- CLUTCH KIT, over-running(See TORQUE CONVERTER PARTS)
- GASKET KIT, turbocharger mounting (See TURBOCHARGER)
- RING SET(See PISTON AND CONNECTING ROD)
- SEAL KITS (See FINAL DRIVE section, TRACK CARRIER ROLLER, TRACK IDLER and TRACK ROLLERS)
- TRANSFER KIT (See PAINTING AND MARKING)



AIR CLEANER

EXHAUST PIPE

THROTTLE CONTROL

BATTERY BOX

FUEL TANK

SEAT

HOOD

RADIATOR GUARD

ALLIS-CHALMERS

21

SEE 21 DOZER PARTS CATALOG

ALLIS-CHALMERS

FRONT FENDER

REAR FENDER

SPROCKET

TRACK CARRIER ROLLER

TRACK FRAME

TRACK ROLLER GUARDS

EQUALIZING BEAM

TRACK RELEASE

TRACK IDLER

HD-21P CRAWLER TRACTOR

CONVERSION TABLES

DECIMAL AND METRIC EQUIVALENTS OF FRACTIONS OF AN INCH

Inches			Milli- meters	Inches			Milli- meters
Fractions	Decimals	*Nom. Dec.		Fractions	Decimals	*Nom. Dec.	
1/64	.015625	.02	.397	33/64	.515625	.52	13.097
1/32	.03125	.03	.794	17/32	.53125	.53	13.494
3/64	.046875	.05	1.191	35/64	.546875	.55	13.891
1/16	.0625	.06	1.588	9/16	.5625	.56	14.288
5/64	.078125	.08	1.984	37/64	.578125	.58	14.684
3/32	.09375	.09	2.381	19/32	.59375	.59	15.081
7/64	.109375	.11	2.778	39/64	.609375	.61	15.478
1/8	.125	.12	3.175	5/8	.625	.62	15.875
9/64	.140625	.14	3.572	41/64	.640625	.64	16.272
5/32	.15625	.16	3.969	21/32	.65625	.66	16.669
11/64	.171875	.17	4.366	43/64	.671875	.67	17.066
3/16	.1875	.19	4.763	11/16	.6875	.69	17.463
13/64	.203125	.20	5.159	45/64	.703125	.70	17.859
7/32	.21875	.22	5.556	23/32	.71875	.72	18.256
15/64	.234375	.23	5.953	47/64	.734375	.73	18.653
1/4	.250	.25	6.350	3/4	.750	.75	19.050
17/64	.265625	.27	6.747	49/64	.765625	.77	19.447
9/32	.28125	.28	7.144	25/32	.78125	.78	19.844
19/64	.296875	.30	7.541	51/64	.796875	.80	20.241
5/16	.3125	.31	7.938	13/16	.8125	.81	20.638
21/64	.328125	.33	8.334	53/64	.828125	.83	21.034
11/32	.34375	.34	8.731	27/32	.84375	.84	21.431
23/64	.359375	.36	9.128	55/64	.859375	.86	21.828
3/8	.375	.38	9.525	7/8	.875	.88	22.225
25/64	.390625	.39	9.922	57/64	.890625	.89	22.622
13/32	.40625	.41	10.319	29/32	.90625	.91	23.019
27/64	.421875	.42	10.716	59/64	.921875	.92	23.416
7/16	.4375	.44	11.113	15/16	.9375	.94	23.813
29/64	.453125	.45	11.509	61/64	.953125	.95	24.209
15/32	.46875	.47	11.906	31/32	.96875	.97	24.606
31/64	.484375	.48	12.303	63/64	.984375	.98	25.003
1/2	.500	.50	12.700	1	1.000	1.00	25.400

VOLUME AND WEIGHT CONVERSION CONSTANTS — U.S. TO METRIC

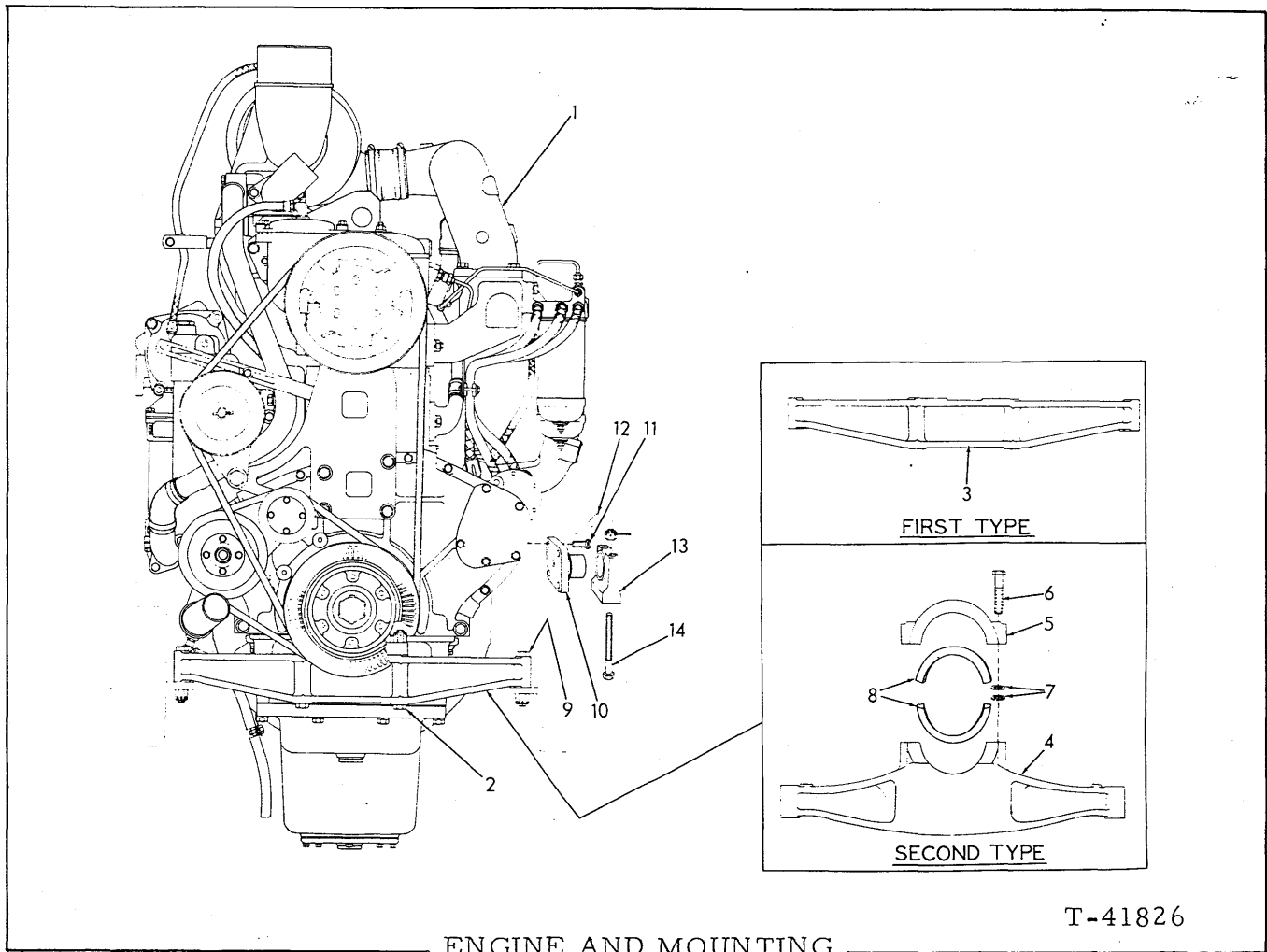
Pints x .4732 = Liters
 Quarts x .9463 = Liters
 Gallons x 3.7853 = Liters
 Pounds x .4536 = Kilograms
 Cubic Yards x .7645 = Cubic Meters

LENGTH CONVERSION CONSTANTS — U.S. TO METRIC

Inches x 25.400 = Millimeters
 Inches x .0254 = Meters
 Feet x .3048 = Meters
 Statute Miles x 1.60935 = Kilometers

*Nominal decimals are used in place of fractions of an inch, with exception of such items as bolts, screws, washers, tubing, wire, etc.

MEMO



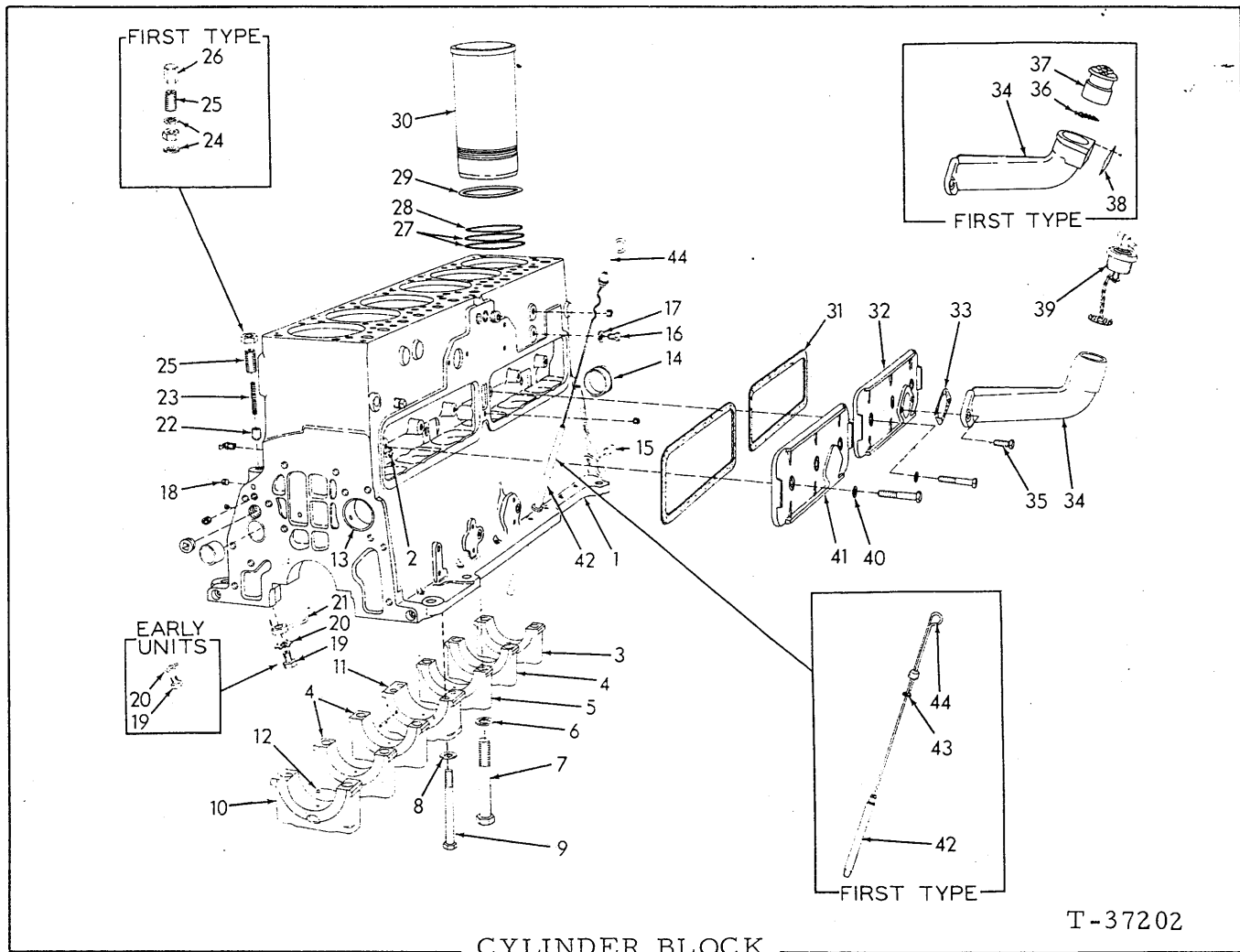
*Used prior to tractor serial No. 14605
 **Effective with tractor serial No. 14605

ITEM	PART NO.	QTY.		DESCRIPTION
		*	**	
1	-----	1	-	ENGINE ASSY. (21000H)(Order Engine Assy. 74390218 and item 15. If for tractors prior to #14537 also order transmission filter Relocation Kit 70661587. If replacing engines prior to #21-05624 also order pump drive Adapter 74389393)
	74390218	-	1	ENGINE ASSY. (21000-Mark II)(Includes oil filters, oil coolers, water filter, fuel filter and turbocharger but does not include air cleaner, fan, generator, or starter)
2	70099061	2	-	CAPSCREW, engine mounting, front (Original equipment)(5/8"NF x 5-3/4)
	70916266	2	-	CAPSCREW, engine mounting, front (Service replacement)(5/8"NC x 5")
	70070836	2	-	LOCK, capscrew
	70913280	2	-	NUT, high, slotted, 5/8"NF
	70900806	2	-	PIN, cotter, 1/8" x 1"
3	70080809	1	-	HANGER, engine supporting, front end
4	70655452	-	1	HANGER, engine supporting, front end (Includes item 5)

(Continued)

ENGINE AND MOUNTING (Continued)

ITEM	PART NO.	QTY.		DESCRIPTION
		*	**	
5	-----	-	1	CAP, engine hanger (Not serviced separately)
6	70924694	-	2	SCREW, flanged, hex-hd., 1/2"NC x 3"
7	70916009	-	14	WASHER, shimming (1/32" thick. Use as required)
	74372864	-	2	WASHER, shimming (1/8" thick)
8	74336491	-	2	LINER, engine supporting hanger
9	70099062	2	2	CAPSCREW, engine hanger (drilled-end, 5/8"NF x 4")
	70913280	2	2	NUT, high, slotted, 5/8"NF
	70900806	2	2	PIN, cotter, 1/8" x 1"
10	70631774	2	2	TRUNNION, rear mounting
11	70665891	8	8	CAPSCREW, drilled-hd., 5/8"NC x 1-1/4"
12	70023633	4	4	WIRE, locking, 1/16" x 12"
13	70631773	2	2	BRACKET, engine supporting, rear
14	70630773	4	4	CAPSCREW, drilled-end, 3/4"NF x 7"
	70910879	4	4	NUT, high, slotted, 3/4"NF
	70900808	4	4	PIN, cotter, 1/8" x 1-1/2"
15	70659707	1	-	INSTALLATION KIT, engine (See PACKAGED PARTS for details)



T-37202

ITEM	PART NO.	QTY.	DESCRIPTION
1	74396091	1	BLOCK ASSY., cylinder (Includes items 2 thru 20 also hardware indented below)(If for first replacement, also order 1 Camshaft 74393399)
	70918887	1	PLUG, pipe, hex-socket, 3/8"NPT
	70919840	4	PLUG, pipe, hex-hd., 1/4"NPT
	70920333	1	PLUG, pipe, hex-hd., 3/8"NPT
	70917673	3	PLUG, pipe, hex-socket, 1/8"NPT
	70918850	3	PLUG, pipe, hex-socket, 1/4"NPT
	70918851	4	PLUG, pipe, hex-socket, 3/4"NPT
	70912415	1	COCK, drain, 1/4"NPT
2	-----	4	DOWEL, valve lifter bracket (See VALVE OPERATING MECHANISM)
3	74386512	1	*CAP, main bearing, rear (Used prior to engine #21-06057)
	74389235	1	*CAP, main bearing, rear (Effective with engine #21-06057)
4	74386511	1	*CAP, main bearing, intermediate (Used prior to engine #21-06057)
	74389232	3	*CAP, main bearing, intermediate (Effective with engine #21-06057)

(Continued)

CYLINDER BLOCK (Continued)

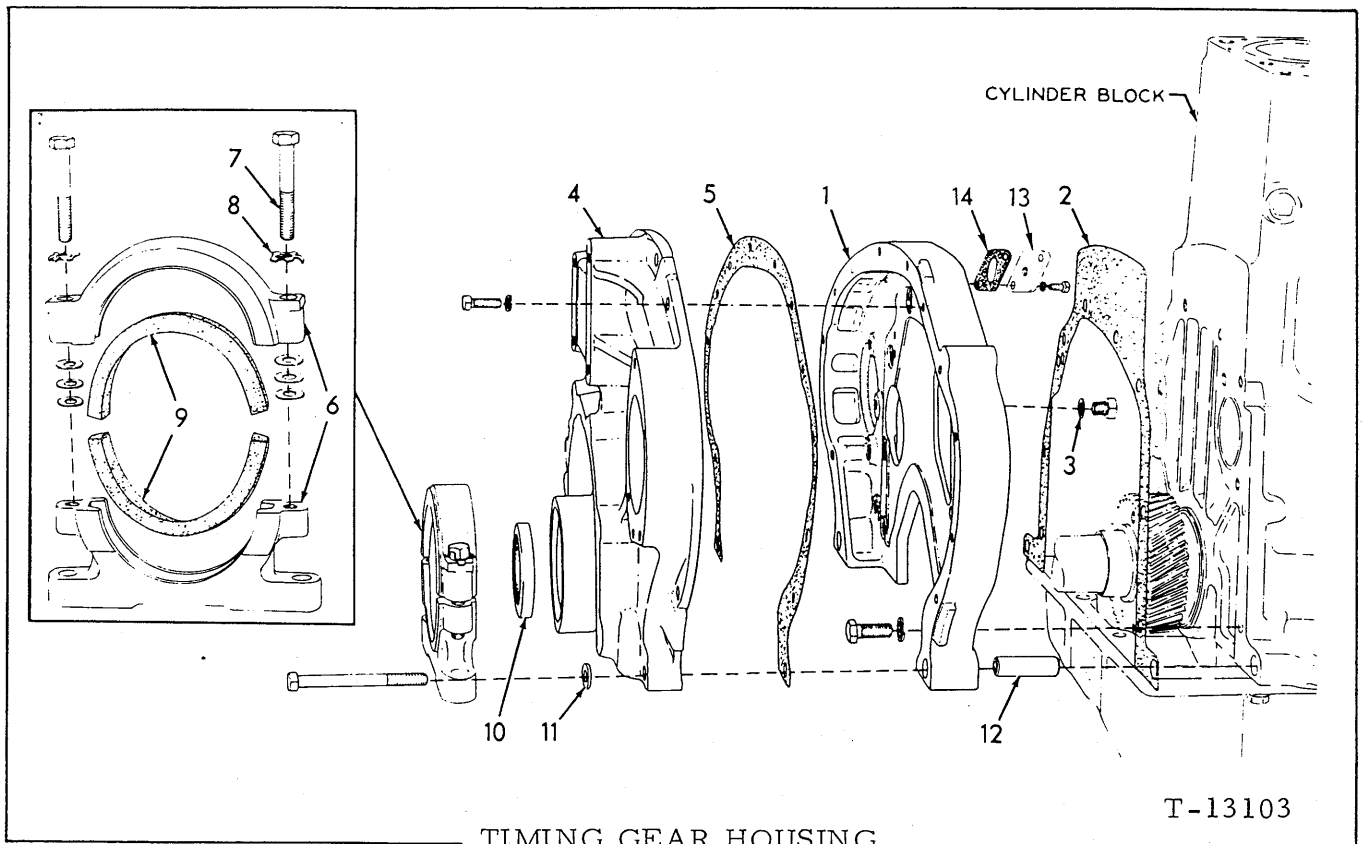
ITEM	PART NO.	QTY.	DESCRIPTION
5	74386513	1	*CAP, main bearing, intermediate (No. 5)(Used prior to engine #21-06057)
	74389234	1	*CAP, main bearing, intermediate (No. 5)(Effective with engine #21-06057)
6	74389911	12	WASHER, plain, main bearing capscrew
7	74389924	12	CAPSCREW, main bearing cap (7/8" diam.)
8	74389910	4	WASHER, plain, center main bearing capscrew
9	74389923	4	CAPSCREW, center main bearing cap (5/8" diam.)
10	74386509	1	*CAP, main bearing, front (Used prior to engine #21-06057)
	74389231	1	*CAP, main bearing, front (Effective with engine #21-06057)
11	74386516	1	*CAP, main bearing, center (Used prior to engine #21-06057)
	74389233	1	*CAP, main bearing, center (Effective with engine #21-06057)
	-----	4	PIN, dowel, thrust flange (See Crankshaft)
12	70917554	7	PIN, dowel, main bearing (straight type)(Used prior to engine #21-06057)
	74389292	7	PIN, (For .250" bearing cap hole and .250" bearing oil hole)(Engine #21-06057 and up)
	74395109	7	PIN, (Adapter for .250" bearing cap hole and .375" bearing oil hole)(See NOTE)
	70919777	7	PIN, (For .375" bearing cap hole and .375" bearing oil hole)(See NOTE)
			NOTE: Used with Service Replacement Bearings)
13	74665306	1	BEARING, camshaft, front
	74660440	2	BEARING, camshaft, rear
14	74660389	1	BEARING, camshaft, rear
15	-----	2	PIN, dowel, flywheel housing (See Flywheel Housing)
16	70919229	3	CAPSCREW, hole plugging (1/2"NC x 1/2")
17	74119937	3	□GASKET, plugging capscrew
18	74389943	1	RESTRICTOR, oil by-pass
19	70924822	6	CAPSCREW, plugging, oil gallery (21000H engines)
	74386262	6	SCREW, piston cooling jet (21000-Mark II engines)
20	74373619	6	LOCKWASHER, plugging capscrew (21000H engines)
	74705801	6	LOCKWASHER, piston cooling jet screw (21000-Mark II engines)
21	74390766	3	JET ASSY., piston cooling, right hand (Includes dowel)(21000-Mark II engines)
	74390767	3	JET ASSY., piston cooling, left hand (Includes dowel)(21000-Mark II engines)
22	74500230	1	PISTON, oil pressure regulating valve
23	74660358	1	SPRING, oil pressure regulating valve
24	74113897	2	□GASKET, regulating valve nut (Used prior to engine #21-05538)
25	74389058	1	SCREW, oil pressure regulating valve
	70910847	1	NUT, jam, 3/4"NF
			*Replacement bearing caps are semi-finished and must be line-bored after installing

(Continued)

CYLINDER BLOCK (Continued)

ITEM	PART NO.	QTY.	DESCRIPTION
26	-----	1	NUT, cap, oil pressure regulating valve (Used prior to engine #21-05538. Order SCREW 74389058)
27	74385485	.6	O-RING, cylinder sleeve, lower groove (red)
28	74393426	12	O-RING, cylinder sleeve, upper groove (black)
29	74368204	-	SHIM, cylinder sleeve (.005" thick)
	74368205	-	SHIM, cylinder sleeve (.010" thick)
	74368206	-	SHIM, cylinder sleeve (.015" thick)
	74369002	-	SHIM, cylinder sleeve (.020" thick)
			} Use as required when remachining block
30	74061528	6	SLEEVE, cylinder (Includes items 27 and 28)
31	74377120	2	□GASKET, push rod cover
32	74389810	1	COVER, push rod, rear
	70916316	3	CAPSCREW, 1/2"NC x 2-1/2"
33	74310257	1	□GASKET, oil filler pipe
34	-----	1	ELBOW ASSEMBLY, oil filler (Used prior to engine #21-05499. Order ELBOW 74389040 and item 39)
	74389040	1	ELBOW, oil filler (Effective with engine #21-05499)
35	74379198	2	CAPSCREW, 1/2"NC x 1-3/8" (Nylok)
36	74335022	1	STRAINER, oil filler
37	74366461	1	CAP ASSEMBLY, oil filler (Serviced only as a unit)
38	74379141	1	PLATE, oil data
	70904516	4	SCREW, drive, #6 x 1/4"
			} Used prior to engine #21-05499
39	74354449	1	CLOSURE ASSEMBLY, oil filler (Serviced only as a unit)(Effective with engine #21-05499)
40	74376749	7	□WASHER, push rod cover capscrew
41	74389809	1	COVER, push rod, front
	70916316	2	CAPSCREW, 1/2"NC x 2-1/2"
	70916317	1	CAPSCREW, 1/2"NC x 2-3/4"
42	74371359	1	ADAPTER, oil level gauge (Engines prior to #21-07552)
	74391378	1	ADAPTER, oil level gauge (Engines #21-07552 and up)
43	74506607	1	SEAL, oil level gauge (Engines prior to #21-07552)
44	74389547	1	GAUGE ASSEMBLY, oil level (Includes item 43)(Engines prior to #21-07552)
	74391366	1	GAUGE, oil level (Engines #21-07552 and up)

(Revised August 1979)



TIMING GEAR HOUSING

T-13103

ITEM	PART NO.	QTY.	DESCRIPTION
1	74393560	1	HOUSING
	70916311	8	CAPSCREW, 1/2"NC x 1-1/4"
	70904208	8	LOCKWASHER, 1/2"
2	74660492	1	□GASKET, gear housing
3	74119937	1	□GASKET, plugging cap screw
	70919229	1	CAPSCREW, 1/2"NC x 1/2"
4	74393552	1	COVER, timing gear housing
	70916321	2	CAPSCREW, 1/2"NC x 4-1/2"
	70919224	7	CAPSCREW, 3/8"NC x 1-1/8"
	70904206	7	LOCKWASHER, 3/8"
5	74376609	1	□GASKET, gear housing cover
6	74390503	1	BRACKET, engine mounting (Includes cap)(When making first replacement also order 2 each Cap screw 70922510, Cap screw 70070935 and Lock 70070836)(See NOTE)
7	70916009	10	WASHER, plain (1/32" thick. Use as required) (See NOTE)
	74254891	2	CAPSCREW, 1/2"NC x 2-1/2"(Original equipment)(See NOTE)
	70922510	2	CAPSCREW, 1/2"NC x 2-3/4"(Service replacement)(See NOTE)
8	74252682	2	LOCKWASHER (See NOTE)
			NOTE: Used prior to tractor #14605.
9	74336491	2	LINER, engine mounting bracket
10	74036340	1	SEAL, oil, crankshaft

(Continued)

TIMING GEAR HOUSING (Continued)

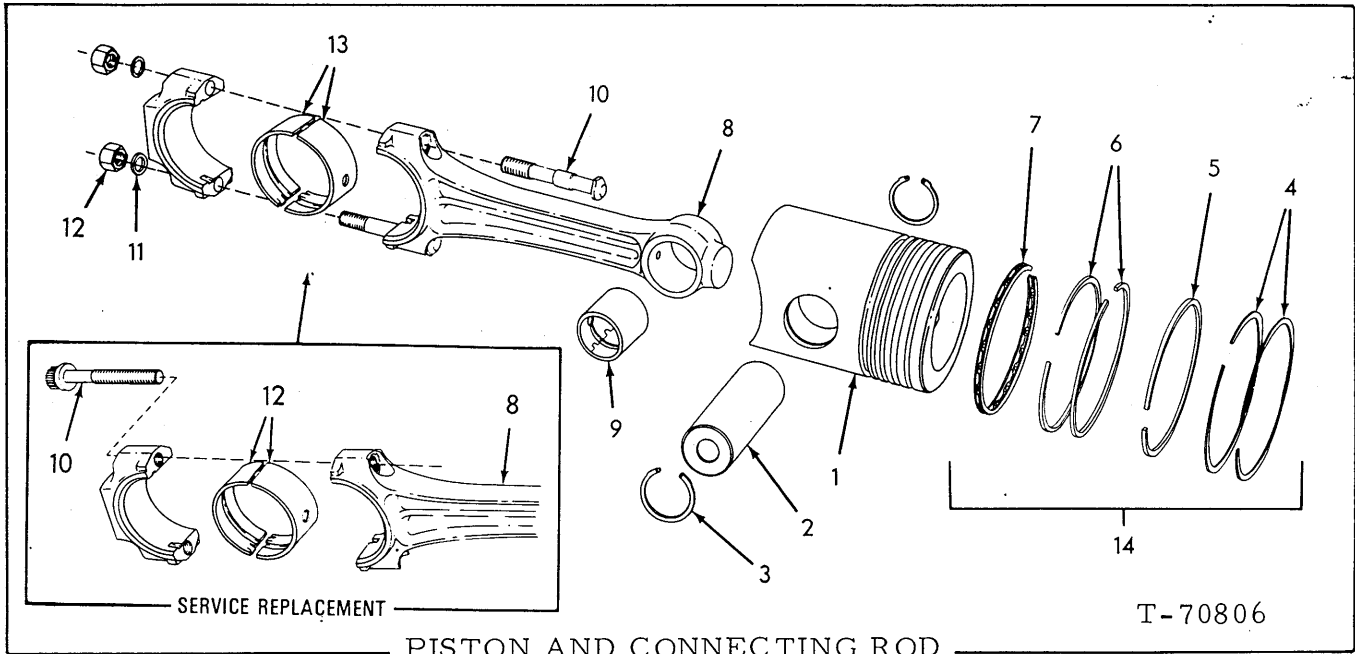
ITEM	PART NO.	QTY.	DESCRIPTION
11	74371445	2	WASHER, plain, housing cover capscrew (1/2" hole)
12	74371444	2	DOWEL, hollow, gear housing
13	74390837	1	COVER, gear housing
	70915408	2	CAPSCREW, 3/8"NC x 3/4"
	70904206	2	LOCKWASHER, 3/8"
14	74371027	1	□GASKET, gear housing cover

} Engine #21-09761
and up

MEMO

21B

(Added August 1979)



*Engines prior to serial No. 21-06599 excluding EXCEPTIONS listed below
 **Engines serial No. 21-06599 and up including EXCEPTIONS listed below

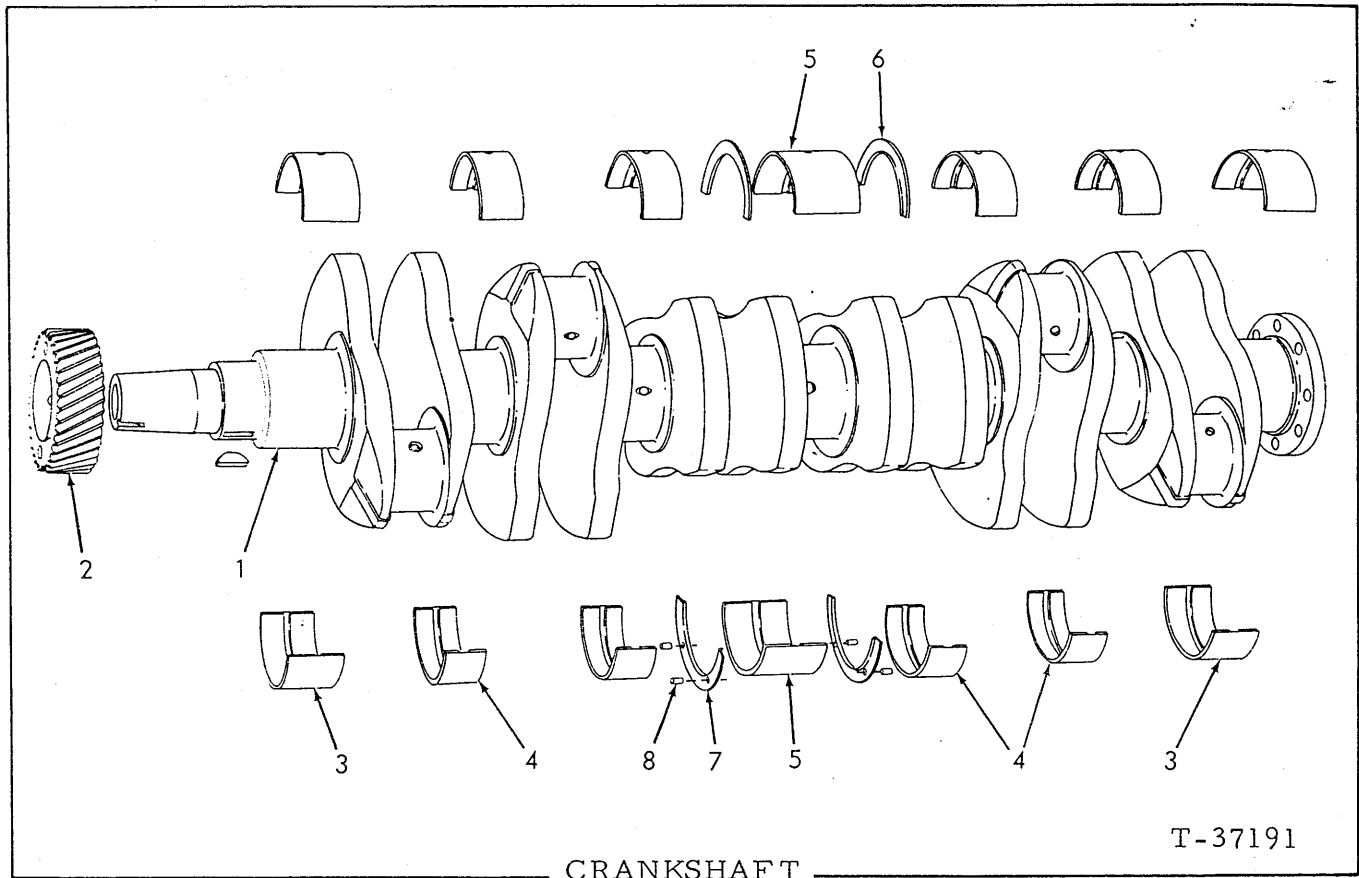
ITEM	PART NO.	QTY.		DESCRIPTION
		*	**	
1	74386419	6	-	PISTON (Used prior to engine #21-06243)(Order Piston 74061548)
	74389889	6	-	PISTON (Effective with engine #21-06243)(Order Piston 74061548)
	74388375	-	6	PISTON (Order Piston 74061548)
	74061548	6	6	PISTON (Service replacement)(Includes Pin 74390175, Ring Set 74394053, and Retainer 74390175)
2	74376792	6	6	□PIN, piston (1" hole)(21000H engines)
	74390175	-	6	□PIN, piston (3/4" hole)(21000 - Mark II engines)
3	74253749	12	12	□RETAINER, piston pin
4	-----	12	-	RING, shielding (top groove)(Effective with engine #21-06243)(Order item 14)
5	-----	6	6	RING, compression #1)(Order item 14)
6	-----	12	12	RING, compression (#2 and #3)(Order item 14)
7	-----	6	6	RING, oil control (Order item 14)
8	74390068	6	6	ROD ASSY., connecting (Includes items 9 thru 12) (Original equipment)
	74394058	6	6	ROD ASSY., connecting (Includes item 9 and 10) (Service replacement)
9	74376986	6	6	BUSHING, connecting rod
10	74376804	12	12	BOLT, connecting rod (4-1/8" long)(Used prior to engine #21-06755)
	74388142	-	12	BOLT, connecting rod (4-1/4" long)(Effective with engine #21-06755)
	74392024	-	12	BOLT, connecting rod (Service replacement)
11	74388146	-	12	WASHER, connecting rod bolt (Effective with engine #21-06755)

(Continued)

PISTON AND CONNECTING ROD (Continued)

ITEM	PART NO.	QTY.		DESCRIPTION
		*	**	
12	74390011	12	12	NUT, connecting rod bolt
13	74394172	12	12	BEARING, connecting rod (standard size)
	74394221	12	12	BEARING, connecting rod (.010" undersize)
	74394222	12	12	BEARING, connecting rod (.020" undersize)
	74394223	12	12	BEARING, connecting rod (.030" undersize)
	74394224	12	12	BEARING, connecting rod (.040" undersize)
14	74388359	6	-	RING SET (Consists of item 5 thru 7)(For PISTON 74386419)
	74388358	6	-	RING SET (Consists of item 4 thru 7)(For PISTON 74389889)
	74394053	-	6	RING SET (Consists of item 5 thru 7)(For PISTONS 74388375 and 74061548)

EXCEPTIONS: Engines serial No. 21-06225,
 21-06317, 30, 36, 21-06412, 70, 72, 94, 21-06517,
 19, 20, 21, 25, 26, 28, 35, 38, 39, 40 thru 44, 49, 50,
 52 thru 56, 62 thru 66, 69, 70, 71, 81 thru 93



CRANKSHAFT

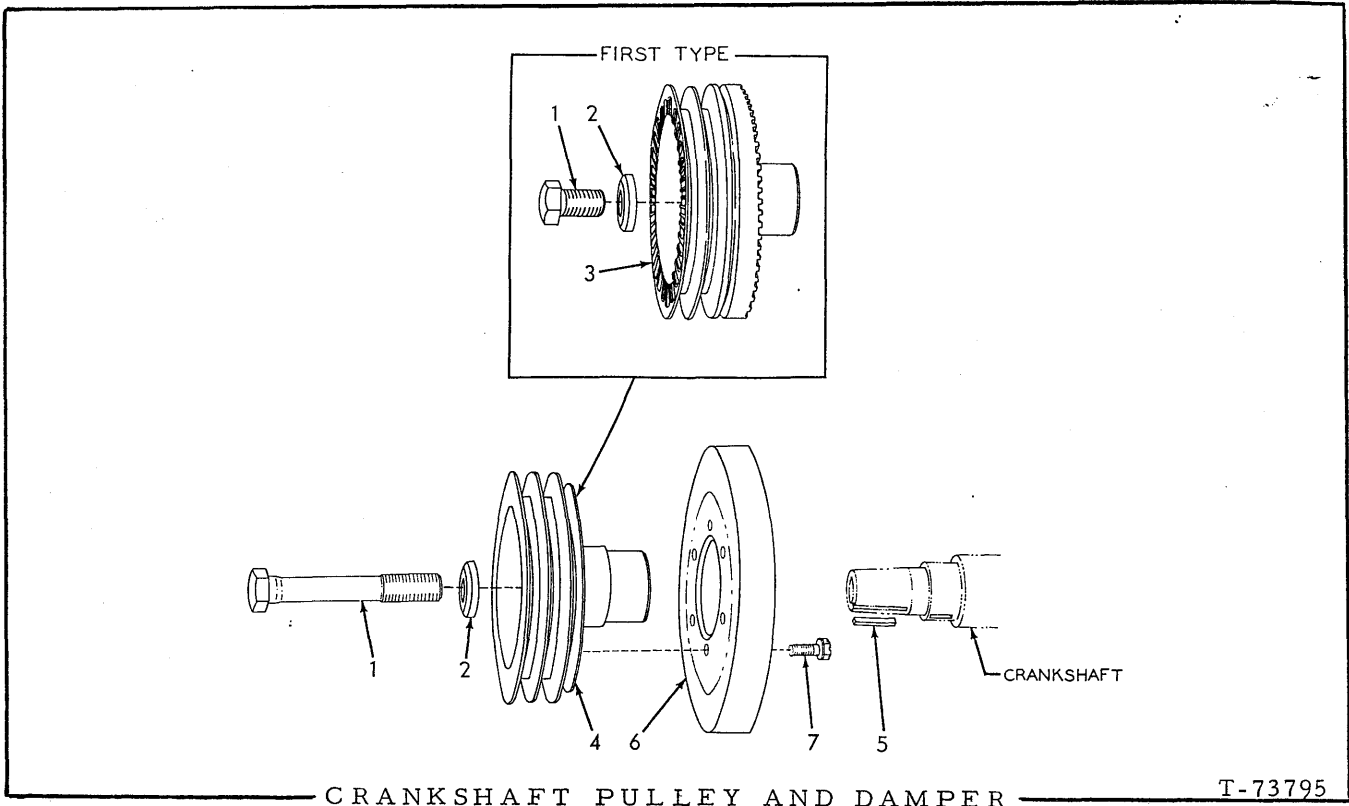
T-37191

ITEM	PART NO.	QTY.	DESCRIPTION
1	74391186	1	CRANKSHAFT ASSY. (Includes Plugs indented below) (Used prior to engine #21-08932)(See NOTE)
	70917673	6	PLUG, pipe, hex-socket, 1/8"NPT (Early units) (See NOTE)
	74391573	1	CRANKSHAFT (Effective with engine #21-08932 thru #21-09246)(See NOTE)
	74391683	1	CRANKSHAFT (Effective with engine #21-09247) (See NOTE)
	74396002	1	CRANKSHAFT (Service replacement)(Also order 1 Gear 74395185 and 1 Key 70905127)(See NOTE)
			<u>NOTE:</u> Order Crankshaft 74396002
2	74395185	1	GEAR, crankshaft
	70911021	1	KEY, #25 woodruff, 5/16" x 1-1/2" (Used prior to engine #21-4089)
	70905129	1	KEY, #D woodruff, 5/16" x 1-1/4" (Effective with engine #21-4089)
	70905127	1	KEY, #B woodruff, 5/16" x 1" (Used with Crank- shaft 74396002)

(Continued)

CAMSHAFT (Continued)

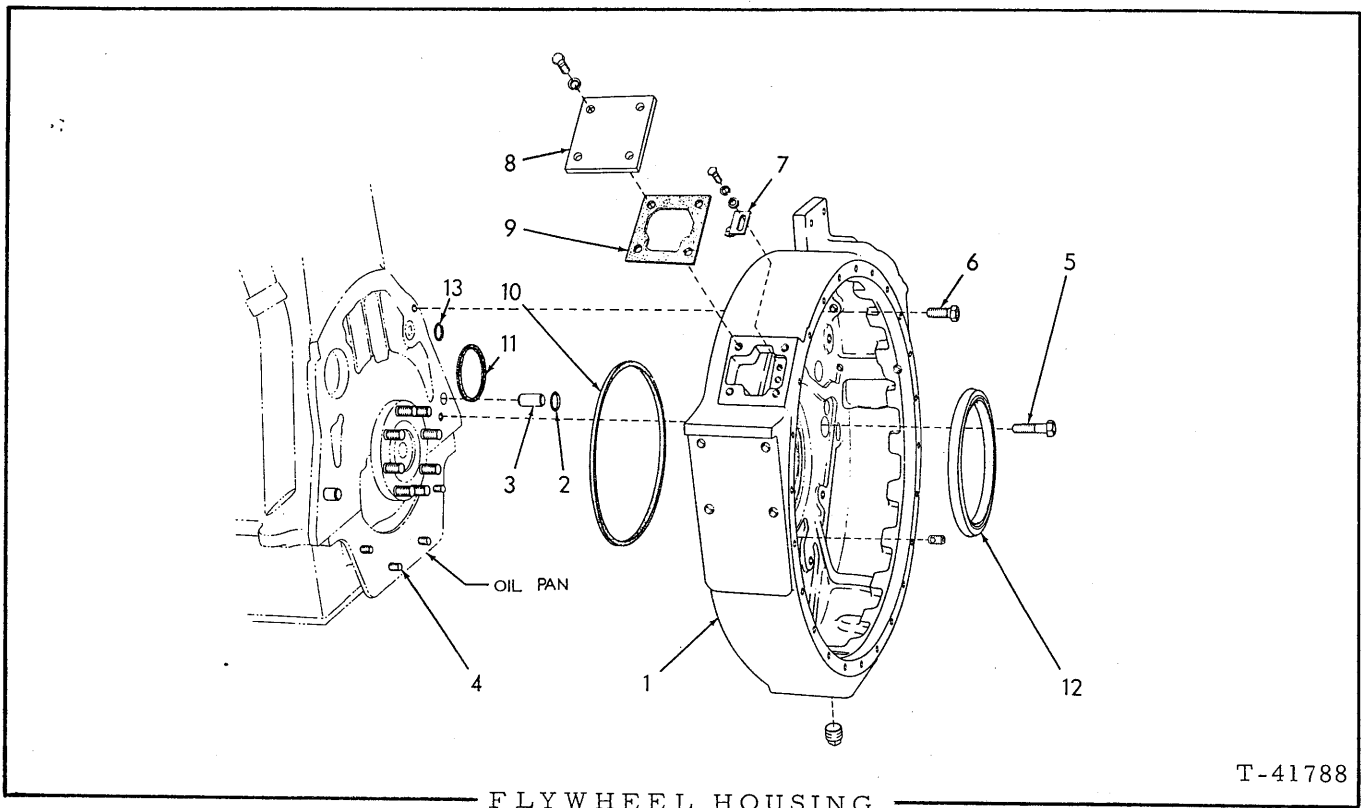
ITEM	PART NO.	QTY.	DESCRIPTION
<u>NOTE:</u> Items 3, 4, 5 listed below; 3/8" oil hole (For first replacement prior to engine #21-14477 also order 1 PIN 74395109 per bearing cap)			
3	74395114	4	BEARING, front and rear main (standard size)
	74395117	4	BEARING, front and rear main (.010" undersize)
	74395118	4	BEARING, front and rear main (.020" undersize)
	74395119	4	BEARING, front and rear main (.030" undersize)
	74395120	4	BEARING, front and rear main (.040" undersize)
4	74395115	8	BEARING, intermediate main (standard size)
	74395121	8	BEARING, intermediate main (.010" undersize)
	74395122	8	BEARING, intermediate main (.020" undersize)
	74395123	8	BEARING, intermediate main (.030" undersize)
	74395124	8	BEARING, intermediate main (.040" undersize)
5	74395116	2	BEARING, center main (standard size)
	74395125	2	BEARING, center main (.010" undersize)
	74395126	2	BEARING, center main (.020" undersize)
	74395127	2	BEARING, center main (.030" undersize)
	74395128	2	BEARING, center main (.040" undersize)
6	74386360	2	FLANGE, thrust, center main, upper (standard size)
	74386456	2	FLANGE, thrust, center main, upper (.005" oversize)
	74386457	2	FLANGE, thrust, center main, upper (.010" oversize)
	74386458	2	FLANGE, thrust, center main, upper (.015" oversize)
7	74386359	2	FLANGE, thrust, center main, lower (standard size)
	74386453	2	FLANGE, thrust, center main, lower (.005" oversize)
	74386454	2	FLANGE, thrust, center main, lower (.010" oversize)
	74386455	2	FLANGE, thrust, center main, lower (.015" oversize)
8	70919347	4	PIN, spring
<u>NOTE:</u> Item 9, listed below; 3/8" oil hole (For first replacement prior to engine #21-14477 also order 7 PIN 74395109)(Each BEARING KIT listed below consists of BEARINGS for complete crankshaft overhaul).			
9	74061771	1	KIT, bearing (standard size)
	74061772	1	KIT, bearing (.010" undersize)
	74061773	1	KIT, bearing (.020" undersize)
	74061774	1	KIT, bearing (.030" undersize)
	74061775	1	KIT, bearing (.040" undersize)
<u>NOTE:</u> Item 10, each FLANGE KIT listed below consists of upper and lower flanges and 4 PIN 70919347.			
10	74061489	1	KIT, flange (standard size)
	74061490	1	KIT, flange (.005" undersize)
	74061491	1	KIT, flange (.010" undersize)
	74061492	1	KIT, flange (.015" undersize)



*Engines prior to serial #21-06709 excluding #21-06706
 **Engines serial #21-06709 thru #21-08931 including #21-06706
 ***Engines serial #21-08932 and up

ITEM	PART NO.	QUANTITY			DESCRIPTION
		*	**	***	
1	74393587	1	1	-	□BOLT, crankshaft pulley (1-1/4"NF x 2")
	74393443	-	-	1	BOLT, crankshaft pulley (3/4"NF x 7-1/4")
2	74371503	1	1	-	WASHER, crankshaft pulley bolt (1-1/4" hole)
	74391023	-	-	1	WASHER, crankshaft pulley bolt (3/4" hole)
3	-----	1	-	-	PULLEY, crankshaft (Includes integral damper)(Order crankshaft damper CONVERSION KIT 74395634)
4	74388324	-	1	-	PULLEY, crankshaft (keywayed)
	74391578	-	-	1	□PULLEY, crankshaft (Includes locating pin. Not keywayed)
5	74362310	1	1	-	KEY, crankshaft: pulley
6	74388217	-	1	1	□DAMPER, crankshaft pulley
7	74391022	-	6	6	□BOLT, attaching

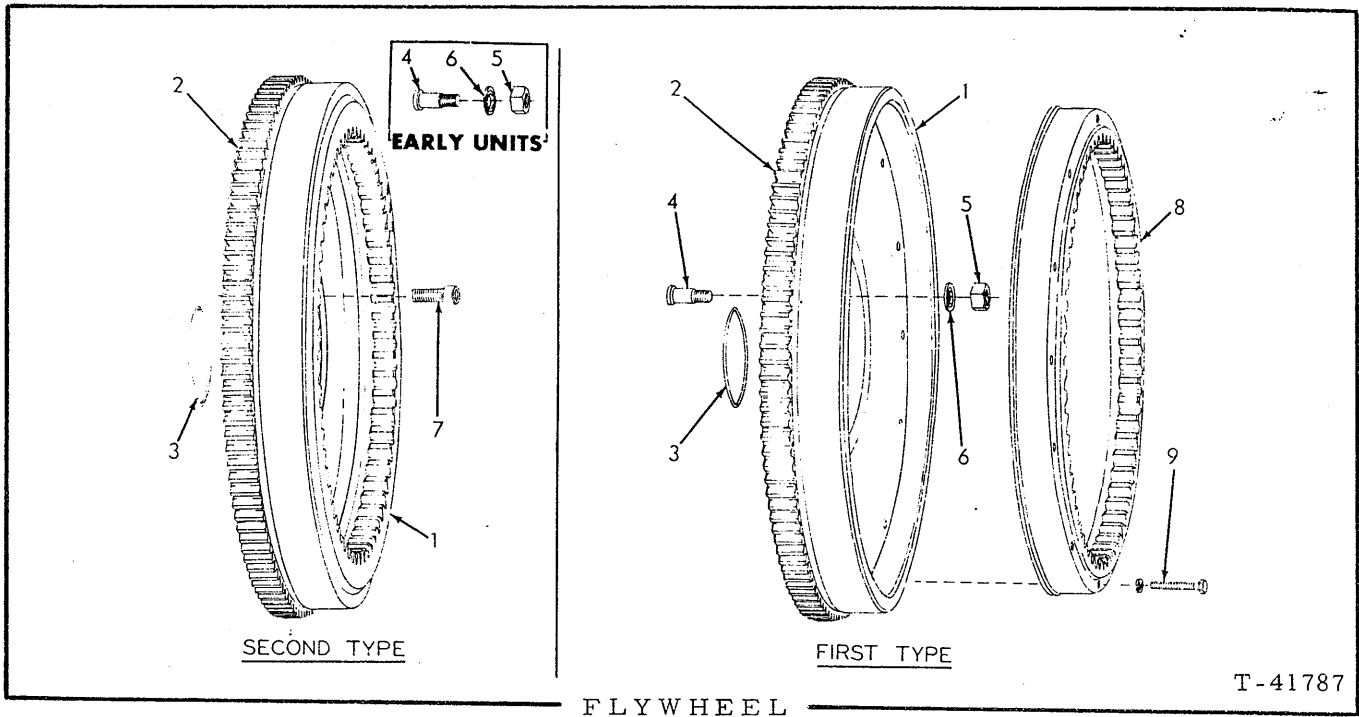
(Revised August 1979)



FLYWHEEL HOUSING

T-41788

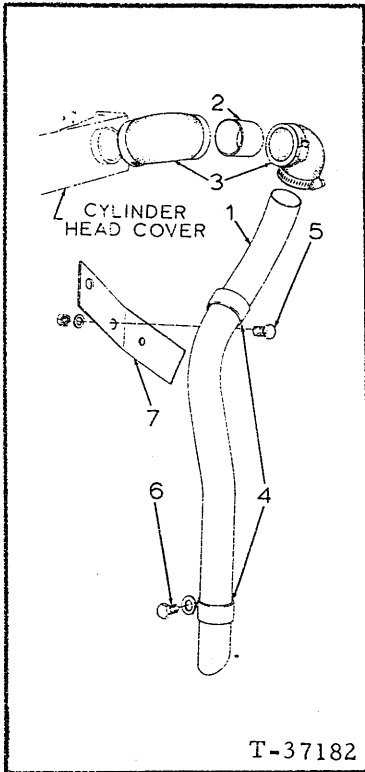
ITEM	PART NO.	QTY.	DESCRIPTION
1	74388551	1	HOUSING, flywheel (Engines prior to #21-09195)
	74391387	1	HOUSING, flywheel (Engines #21-09195 and up)
	70922884	1	SETSCREW, hex-socket, cup-pt., Nylok, 7/16"NC x 1/2"
	70920132	1	PLUG, pipe, 1/2"NPT
2	70923810	2	O-RING, housing dowel
3	74373716	2	DOWEL, housing to crankcase
4	74379198	4	CAPSCREW, oil pan to housing (1/2"NC x 1-3/8", Nylok)(Engines prior to #21-09165)
	70926717	4	CAPSCREW, oil pan to housing (1/2"NC x 7/8" flanged head) (Engines #21-09165 and up)
	70912333	4	WASHER, plain
5	74255335	2	BOLT, housing to crankcase (1/2"NC x 2")
6	74255334	8	BOLT, housing to crankcase (1/2"NC x 1-3/8")
7	74386651	1	POINTER, timing
	70916284	2	CAPSCREW, 1/4"NC x 1/2"
	70904204	2	LOCKWASHER, 1/4"
	70911114	2	WASHER, plain, SAE std., 1/4"
8	74386650	1	COVER, timing hole
	70915813	4	CAPSCREW, 5/16"NC x 7/8"
	70904205	4	LOCKWASHER, 5/16 "
9	74390432	1	GASKET, timing hole cover
10	74336897	1	RING, sealing, housing to crankcase (crankshaft hole)
11	74255904	1	RING, sealing, housing to crankcase (camshaft hole)
12	74391711	1	SEAL, oil, crankshaft flange
13	74255898	1	RING, sealing, housing to crankcase (oil gallery hole)(Engines #21-09195 and up)



ITEM	PART NO.	QTY.	DESCRIPTION
1	74386846	1	FLYWHEEL ASSY., (Includes item 2)(Used prior to engine #21-05346)
	74391231	1	FLYWHEEL ASSY., (Includes item 2)(Used with engine #21-05346)
2	74303694	1	GEAR, ring
3	74255912	1	□O-RING, flywheel to crankshaft
4	74389201	8	BOLT, flywheel
5	74387026	8	NUT, flywheel bolt
6	74391160	8	□WASHER, sealing
7	74391666	8	CAPSCREW, flywheel (Engines #21-09247 and up)
8	-----	1	RING, clutch driving (Used prior to engine #21-05346. Order FLYWHEEL ASSY. 4391231)
9	70053616	12	CAPSCREW, 3/8"NC x 1-3/4"
	70904206	12	LOCKWASHER, 3/8"

ENGINE BREATHER

USAGE: Engines prior to serial #21-07598

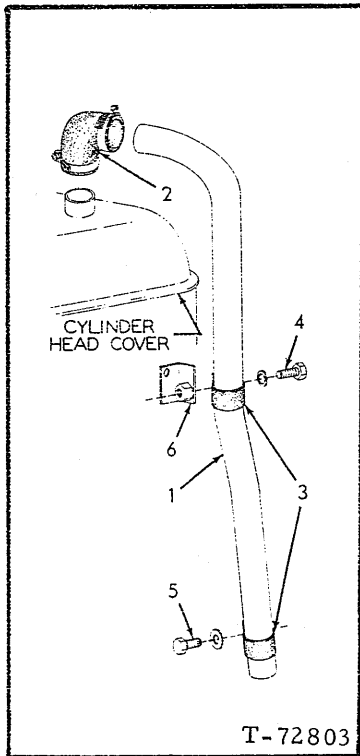


ITEM	PART NO.	QTY.	DESCRIPTION
1	74387675	1	TUBE, breather
2	74387560	1	TUBE, elbow connecting
3	74255351	2	ELBOW, rubber
	74255011	4	CLAMP, hose
4	74255361	2	CLIP, tube supporting
5	70914875	1	CAPSCREW, 1/2"NF x 1"
	70904208	1	LOCKWASHER, 1/2"
	70910195	1	NUT, 1/2"NF
6	70921865	1	CAPSCREW, Nylok, 1/2"NC x 1"
	70910244	1	WASHER, plain, SAE std., 1/2"
7	74387712	1	BRACKET, tube supporting

T-37182

ENGINE BREATHER

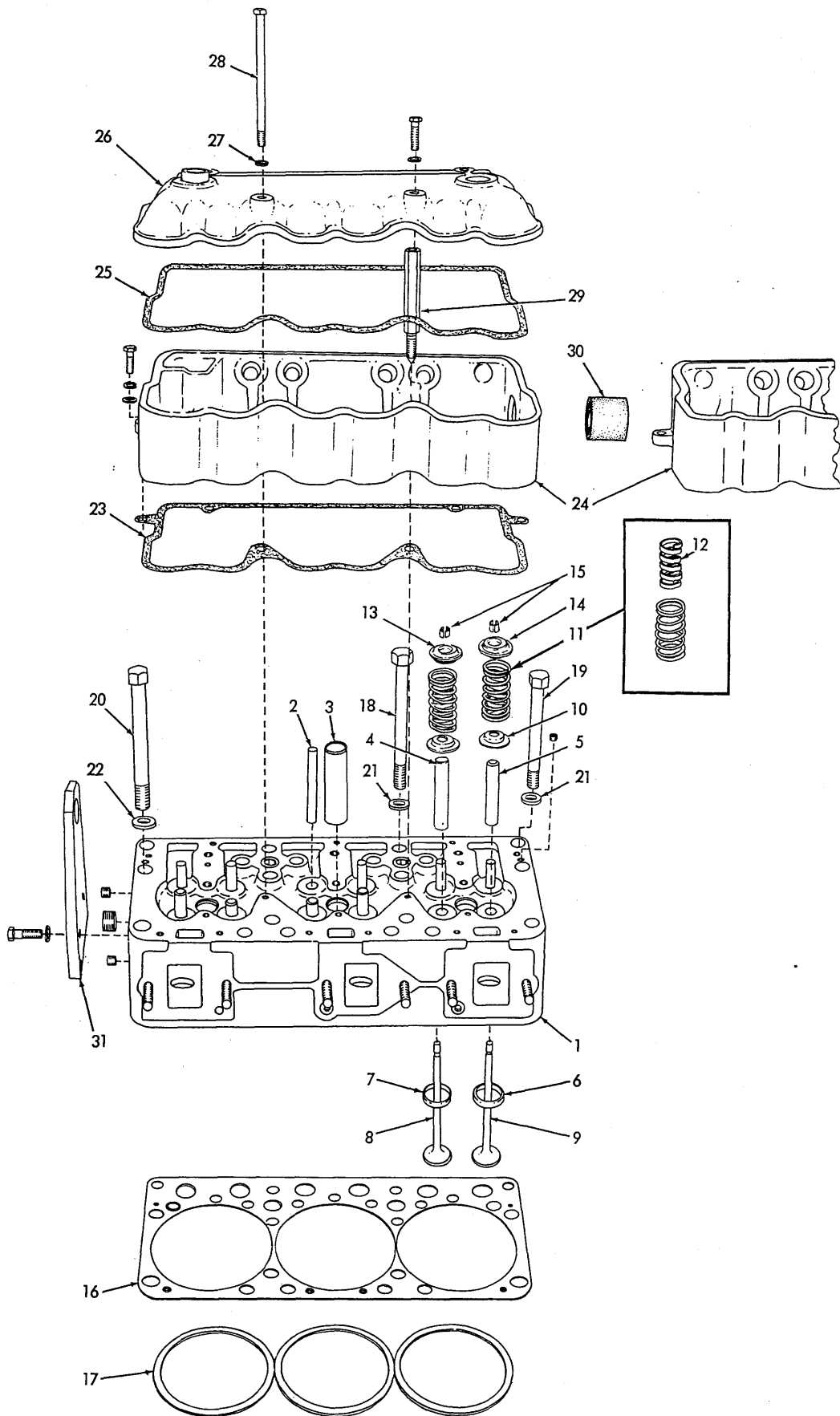
USAGE: Engines serial No. 21-07598 and up



ITEM	PART NO.	QTY.	DESCRIPTION
1	74390435	1	TUBE, breather
2	74255351	1	ELBOW, rubber
	70922198	2	CLAMP, hose
3	74255361	2	CLIP, tube supporting
4	70035221	1	CAPSCREW, 1/2"NC x 1"
	70904208	1	LOCKWASHER, 1/2"
5	70921865	1	CAPSCREW, Nylok, 1/2"NC x 1"
	70910244	1	WASHER, plain, SAE std., 1/2"
6	70656331	1	ANGLE, tube supporting (Used prior to tractor #14537)

T-72803

(Revised August 1979)



CYLINDER HEAD

T-37183

CYLINDER HEAD

*21000H engine
 **21000-Mark II engine } Original equipment

ITEM	PART NO.	QTY.	DESCRIPTION
		* **	
1	-----	2 -	HEAD ASSY., cylinder (Order service replacement, Head Assy. 74394445)
	-----	- 2	HEAD ASSY., cylinder (Includes items 2 thru 7 and Plugs indented below)(Order service replacement Head Assy. 74394445)
	70917673	8 8	PLUG, pipe, hex-socket, 1/8"NPT
	70907070	4 -	PLUG, pipe, ctsk-hd., 1/4"NPT (Early units only)
	70918851	8 8	PLUG, pipe, hex-socket, 3/4"NPT
2	74386413	12 12	PIN, guide, valve bridge
3	74376484	6 6	SLEEVE, injection nozzle
4	74385301	12 12	GUIDE, intake valve
5	74386624	12 12	GUIDE, exhaust valve
6	-----	12 -	INSERT, exhaust valve seat (standard size)(Order Valve 74396077, Retainer 74396078 and Insert Kit 74391713 as required)
	74391713	- 12	INSERT KIT, exhaust valve seat (standard size)(With machining instructions)
	-----	12 -	INSERT, exhaust valve seat (.005" oversize)(Order Valve 74396077, Retainer 74396077 and Insert Kit 74391714 as required)
	74391714	- 12	INSERT KIT, exhaust valve seat (.005" oversize)(With machining instructions)
7	74386628	12 12	INSERT, intake valve seat (standard size)
	74386653	12 12	INSERT, intake valve seat (.005" oversize)
8	74386790	12 12	VALVE, intake
9	-----	12 -	VALVE, exhaust (45°)(Order Valve 74396077, Retainer 74390678 and Insert Kit 74391713 or 74391714 as required)
	74390677	- 12	VALVE, exhaust (30°)
10	74389685	24 24	SEAT, valve spring
11	74389294	24 24	SPRING ASSY., valve (Includes item 12)(If for engines prior to #21-05974 also replace item 10)
12	74389293	24 24	DAMPER, valve spring
13	74389397	12 12	ROTOCOIL ASSY., intake valve (Serviced only as a unit)
14	74389397	12 -	ROTOCOIL ASSY., exhaust valve (Serviced only as a unit)
	74390678	- 12	RETAINER, exhaust valve spring
15	74376497	48 48	LOCK, valve stem
16	74396409	2 2	GASKET ASSY., cylinder head
17	-----	6 6	GASKET, cylinder sealing (Integral part of item 16)
18	74391306	30 30	CAPSCREW, cylinder head (5/8"NC x 7")
19	74391307	2 2	CAPSCREW, cylinder head (5/8"NC x 6")
20	74393443	8 8	CAPSCREW, cylinder head (3/4"NC x 7-1/4")

(Continued)

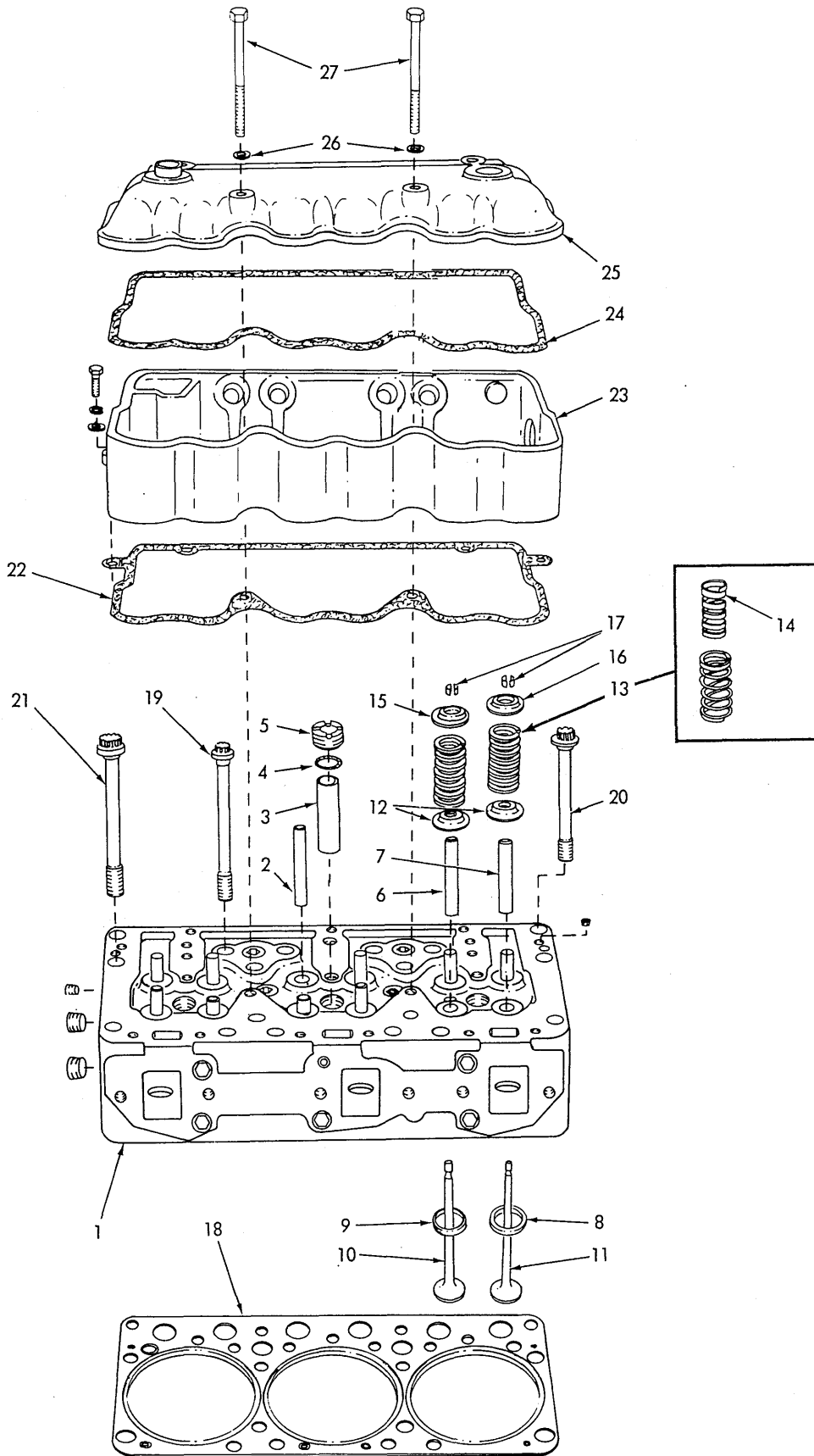
CYLINDER HEAD (Continued)

ITEM	PART NO.	QTY.	DESCRIPTION
		* **	
21	74391160	32 32	WASHER, cylinder head capscrew (5/8" hole)
22	74391161	8 8	WASHER, cylinder head capscrew(3/4" hole)
23	74393989	2 2	□ GASKET, lower cover
24	74393625	1 1	COVER, lower section, front
	74394929	1 -	COVER, lower section, rear (Engines prior to #21-07598)
	74394928	1 1	COVER, lower section, rear (Engines #21-07598 and up)
	70916272	4 4	CAPSCREW, 3/8"NC x 1-1/4"
	70904206	4 4	LOCKWASHER, 3/8"
	70913544	4 4	WASHER, plain
25	74389961	2 2	□ GASKET, rocker cover
26	74386901	1 -	COVER, rocker, rear (Engines prior to #21-07598)
	74387726	1 1	COVER, rocker, rear (Effective with engine #21-07598)
	70914847	1 1	CAPSCREW, 3/8"NC x 1-1/2"
	74386901	1 1	COVER, rocker, front
27	74254873	8 8	□ WASHER, sealing, rocker cover capscrew
28	74386421	7 7	CAPSCREW, rocker cover
29	74389965	1 1	BOLT, extension, rear lower cover
30	74386941	1 1	COUPLING, breather, cylinder head cover (Engines prior to #21-10117)
31	74387976	1 -	EYE, engine lifting, rear (Used prior to tractor #14537)
	70916311	3 -	CAPSCREW, 1/2"NC x 1-1/4"
	70904208	3 -	LOCKWASHER, 1/2"

MEMO

32A

(Added August 1979)



CYLINDER HEAD (Service replacement)

T-77915

CYLINDER HEAD

USAGE: Service replacement with 30° exhaust valves. (Use with rotocoils and standard sac nozzles).

ITEM	PART NO.	QTY.	DESCRIPTION
1	74394445	2	HEAD ASSY., cylinder (Includes items 2 thru 9 and Plugs indented below)(See NOTE)
	74255490	8	PLUG, pipe, hex-socket, 1/8"NPT
	74255491	2	PLUG, pipe, hex-socket, 1/4"NPT
	74255577	8	PLUG, pipe, hex-socket, 3/4"NPT
	70928879	18	PLUG, cap, 1"
2	74386413	12	PIN
3	74392051	6	SLEEVE
4	70926672	6	O-RING
5	74392052	6	NUT
6	74390547	12	GUIDE, intake valve
7	74390548	12	GUIDE, exhaust valve
8	74392053	12	INSERT (standard size)
	74392068	12	INSERT (.005" oversize)
9	74386628	12	INSERT (standard size)
	74386653	12	INSERT (.005" oversize)
10	74386790	12	VALVE, intake
11	74392054	12	VALVE, exhaust
12	74389685	24	SEAT
13	74389294	24	SPRING ASSY. (Includes item 14)
14	-----	24	DAMPER
15	74389397	24	ROTOCOIL ASSY. (Services only as a unit)
16	-----	-	RETAINER (Order item 15)
17	74376497	48	LOCK
18	74395487	2	□GASKET ASSY.
19	74391306	26	SCREW (5/8"NC x 7")
20	74391307	2	SCREW (5/8"NC x 6")
21	74393443	8	SCREW (3/4"NC x 7-1/4")
22	74393989	2	□GASKET
23	-----	2	COVER (See page 30)
	70916272	8	CAPSCREW, 3/8"NC x 1-1/4"
	70904206	8	LOCKWASHER, 3/8"
	70913544	8	WASHER
24	74389961	2	□GASKET
25	-----	1	COVER, rear
	-----	1	COVER, front
			} See page 30
26	74254873	8	□WASHER
27	70921405	8	CAPSCREW, 3/8"NC x 6"

NOTE:

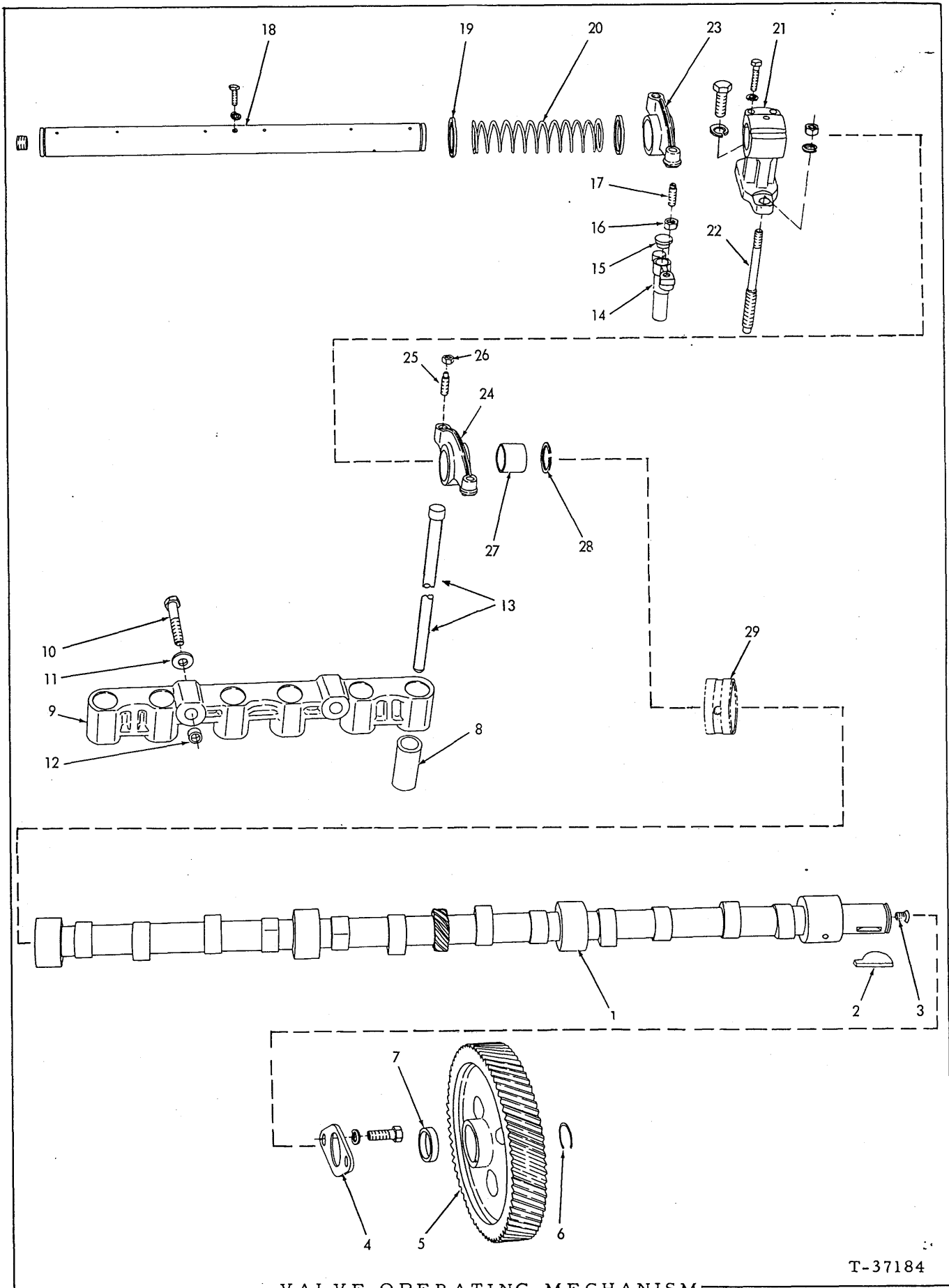
1. When replacing Cylinder Head 74392049 also order 6 of item 15.
2. When replacing Cylinder Head 74390675 also order 6 of item 11, 6 of item 15, and 3 Nozzle Nut 74392057.
3. When replacing Cylinder Head 74388336 also order 6 of item 11, and 3 Nozzle Nut 74392057.

VALVE OPERATING MECHANISM

ITEM	PART NO.	QTY	DESCRIPTION	
1	74393399	1	CAMSHAFT (Also order 1 elbow 74391885)	
2	70923738	1	KEY, camshaft gear	
3	74001318	1	PLUG, camshaft oil hole	
4	74386776	1	PLATE, thrust	
	70916311	2	CAPSCREW, 1/2"NC x 1-1/4"	
	70904208	2	LOCKWASHER, 1/2"	
5	74390661	1	GEAR, camshaft	
6	74254295	1	RING, snap, gear retaining	
7	74387469	1	SPACER, camshaft gear (Used prior to engine #21-06396)	
8	74360955	12	LIFTER, valve (Engines prior to #21-09720)	
	74391845	12	LIFTER, valve (Engines #21-09720 and up)	
9	74386787	1	BRACKET, valve lifter, front } Engines prior to #21-09720	
	74386788	1		BRACKET, valve lifter, rear
	74391869	1		BRACKET, valve lifter, front
	74391870	1		BRACKET, valve lifter, rear } Engines #21-09720 and up
10	70915969	4	CAPSCREW, 1/2"NC x 3"	
11	74376277	4	WASHER, valve lifter bracket capscrow	
12	74303038	4	DOWEL, valve lifter bracket	
13	74386414	12	ROD, push (20" long)(Engines prior to #21-09720)	
	74391849	12	ROD, push (17" long)(Engines #21-09720 and up)	
14	74390270	12	BRIDGE ASSEMBLY, valve (Includes items 15 thru 17)	
15	74376538	12	INSERT, valve bridge	
16	74348440	12	NUT, valve bridge adjustment screw	
17	74390254	12	SCREW, valve bridge adjustment	
18	74390117	2	SHAFT ASSEMBLY, rocker arm (Includes PLUGS indented below)	
	70918887	4	PLUG, pipe, hex-socket, 3/8"NPT	
	70915406	2	CAPSCREW, 1/4"NC x 3/4"	
	70904204	2	LOCKWASHER, 1/4"	
19	74386406	8	RETAINER, rocker arm	
20	74386405	4	SPRING, rocker shaft	
21	74389317	6	BRACKET, rocker shaft	
	70916311	6	CAPSCREW, 1/2"NC x 1-1/4" (attaching)	
	70904208	6	LOCKWASHER, 1/2"	
	70915807	12	CAPSCREW, 5/16"NC x 1-1/4" (clamping)	
	70904205	12	LOCKWASHER, 5/16"	
22	74377541	6	STUD, rocker shaft bracket (Also retains injection nozzle holder)	
	70910325	6	NUT, 1/2"NC	
	70904208	6	LOCKWASHER, 1/2"	
23	74388426	4	ARM ASSEMBLY, rocker, intake valve Nos. 1,2,4,5	
	74388427	2	ARM ASSEMBLY, rocker, exhaust valve Nos. 3,6	

(Continued)

(Revised August 1979)



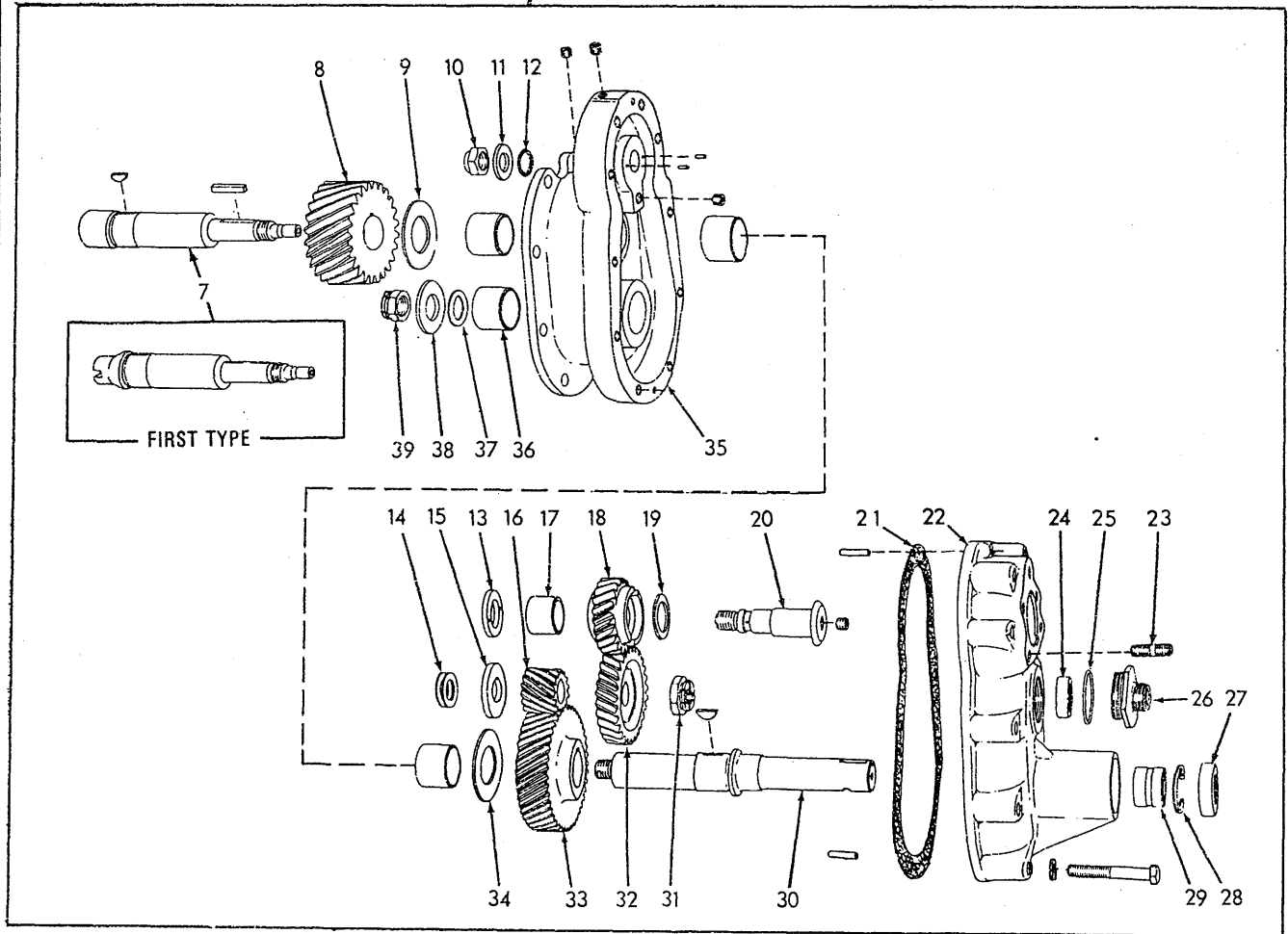
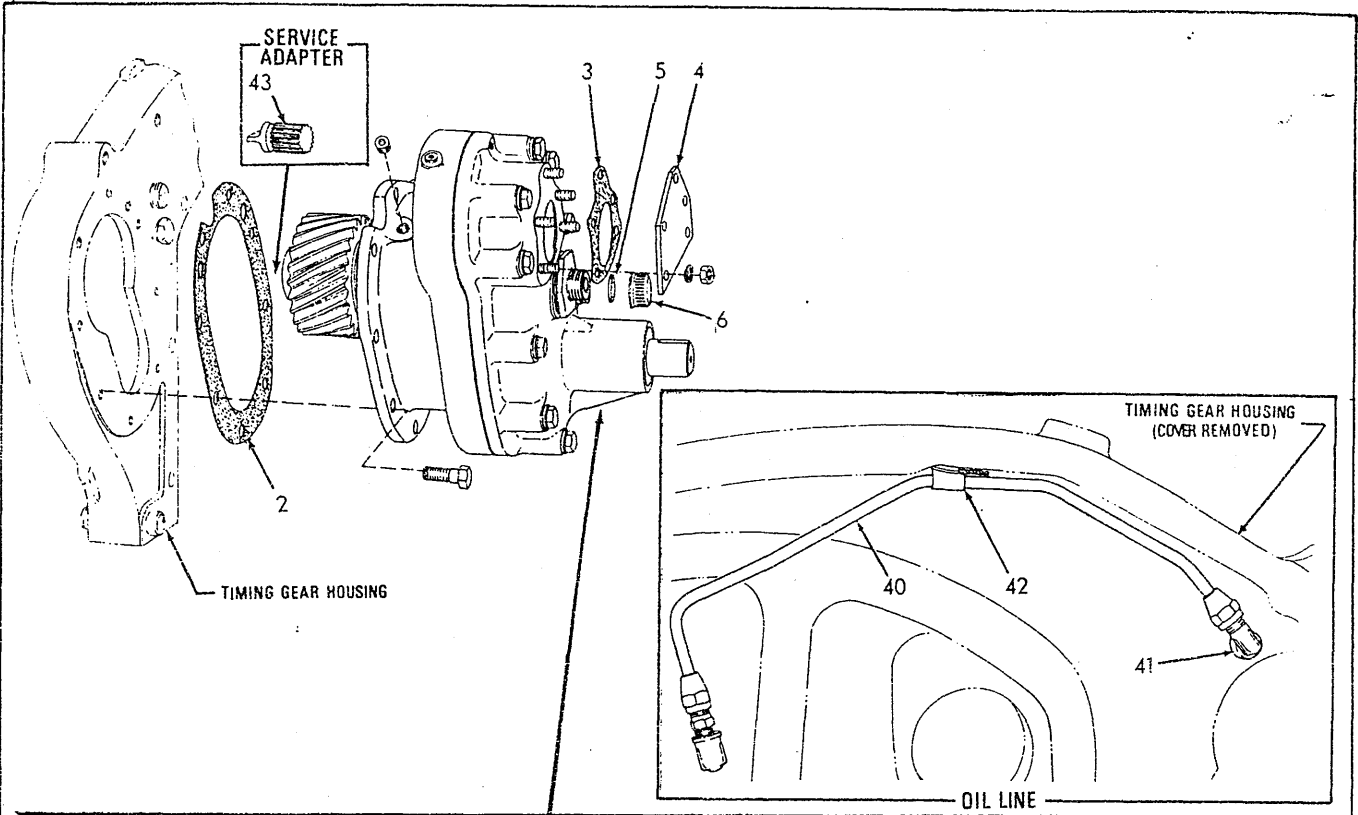
VALVE OPERATING MECHANISM

T-37184

(Revised August 1979)

VALVE OPERATING MECHANISM (Continued)

ITEM	PART NO.	QTY.	DESCRIPTION
24	74388424	4	ARM ASSEMBLY, rocker, exhaust valve Nos. 1, 2, 4, 5
	74388425	2	ARM ASSEMBLY, rocker, intake valve Nos. 3, 6
<u>NOTE:</u> Each Arm Assembly listed above includes items 25 thru 27			
25	74336646	12	SCREW, valve lash adjustment
26	74348440	12	NUT, adjustment screw
27	74388428	12	BUSHING, rocker arm
28	74253190	4	RING, snap, rocker arm shaft
29	-----	-	BEARING, camshaft (See CYLINDER BLOCK)



ACCESSORY DRIVE

T-39416

(Revised August 1979)

ACCESSORY DRIVE

* Engines prior to serial No. 21-09560
 ** Engines #21-09560 and up

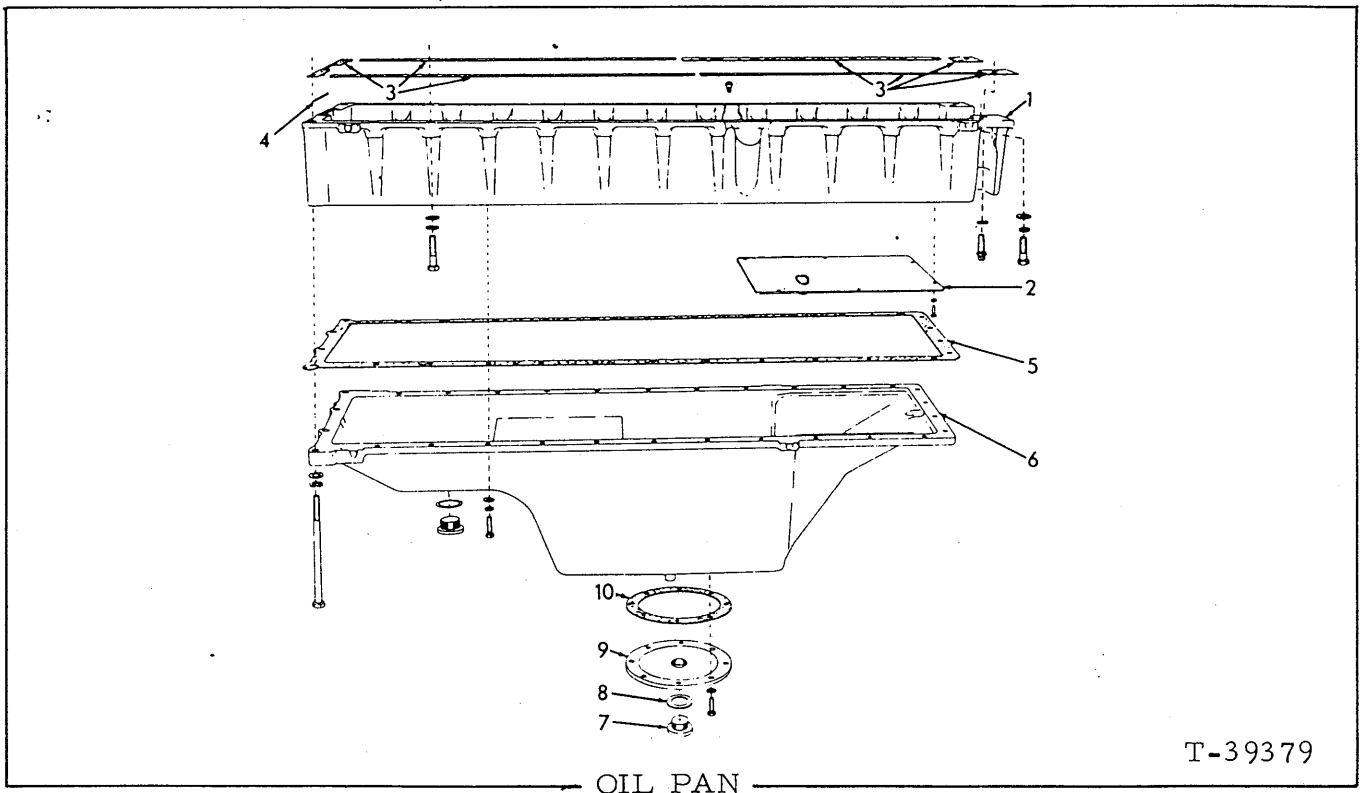
ITEM	PART NO.	QTY.		DESCRIPTION
		*	**	
1	-----	1	-	DRIVE ASSEMBLY (Order DRIVE ASSEMBLY 74391441. Include item 43 if for engines prior to #21-05624)
	74391441	-	1	DRIVE ASSEMBLY (Consists of items 7 thru 39)
	70921520	8	8	CAPSCREW, Nylok, 3/8"NC x 7/8"
2	74376603	1	1	□GASKET, accessory drive to gear housing
3	74386826	1	1	GASKET, housing cover plate
4	74389593	1	1	PLATE, housing cover
	70904206	5	5	LOCKWASHER, 3/8"
	70910123	5	5	NUT, 3/8"NF
5	74367090	1	1	□GASKET, tachometer hole nut
6	74371118	1	1	NUT, cover, tachometer hole
7	74371740	1	-	SHAFT, upper (Slotted end) (Used prior to engine #21-05624)
	74388889	1	-	SHAFT, upper (Splined end) (Effective with engine #21-05624)
	70917409	2	-	KEY, #9 woodruff, 3/16" x 3/4"
	70923280	1	-	KEY, hi-pro, 3/16" x 15/16"
	74391419	-	1	SHAFT, upper
	70917409	-	1	KEY, #9 woodruff, 3/16" x 3/4"
8	70905850	-	1	KEY, straight, 3/16" x 1"
	74389055	1	-	GEAR, accessory drive
9	74391403	-	1	GEAR, accessory drive
	74368154	1	-	WASHER, thrust, upper shaft, front
	70917014	2	-	PIN, dowel, 1/8" x 3/8"
10	74391412	-	1	WASHER, thrust, upper shaft, front
	70911044	1	1	NUT, auxiliary drive gear shaft
11	74389986	1	-	WASHER, auxiliary drive gear shaft (1/8" thick)
	70900703	-	1	WASHER, auxiliary drive gear shaft (3/16" thick)
12	70923574	1	1	O-RING, auxiliary drive gear shaft
13	74376598	1	1	WASHER, thrust, auxiliary drive gear
	70917014	2	2	PIN, dowel, 1/8" x 3/8"
14	74362726	2	-	SHIM, upper shaft, end-play adjustment (laminated)
15	74388154	1	-	WASHER, thrust, rear
	74391407	-	1	WASHER, thrust, rear
16	74364404	1	1	GEAR, upper shaft (14 teeth)
17	74376596	1	1	BUSHING, auxiliary drive gear
18	74377122	1	1	GEAR ASSEMBLY, auxiliary drive (Includes item 17)
19	74376599	1	-	PLATE, thrust, auxiliary drive gear
	74391411	-	1	PLATE, thrust, auxiliary drive gear
20	74376591	1	1	SHAFT ASSEMBLY, auxiliary drive (Includes PLUG indented below)
	70917673	1	1	PLUG, pipe, hex-socket, 1/8"NPT
21	74376604	1	1	GASKET, cover
22	74386711	1	1	COVER ASSEMBLY, housing (Includes item 29)
	70912069	10	10	CAPSCREW, 3/8"NC x 2-1/2"
	70904206	10	10	LOCKWASHER, 3/8"
	70917023	2	2	PIN, dowel, 1/4" x 1"

(Continued)

(Revised August 1979)

ACCESSORY DRIVE (Continued)

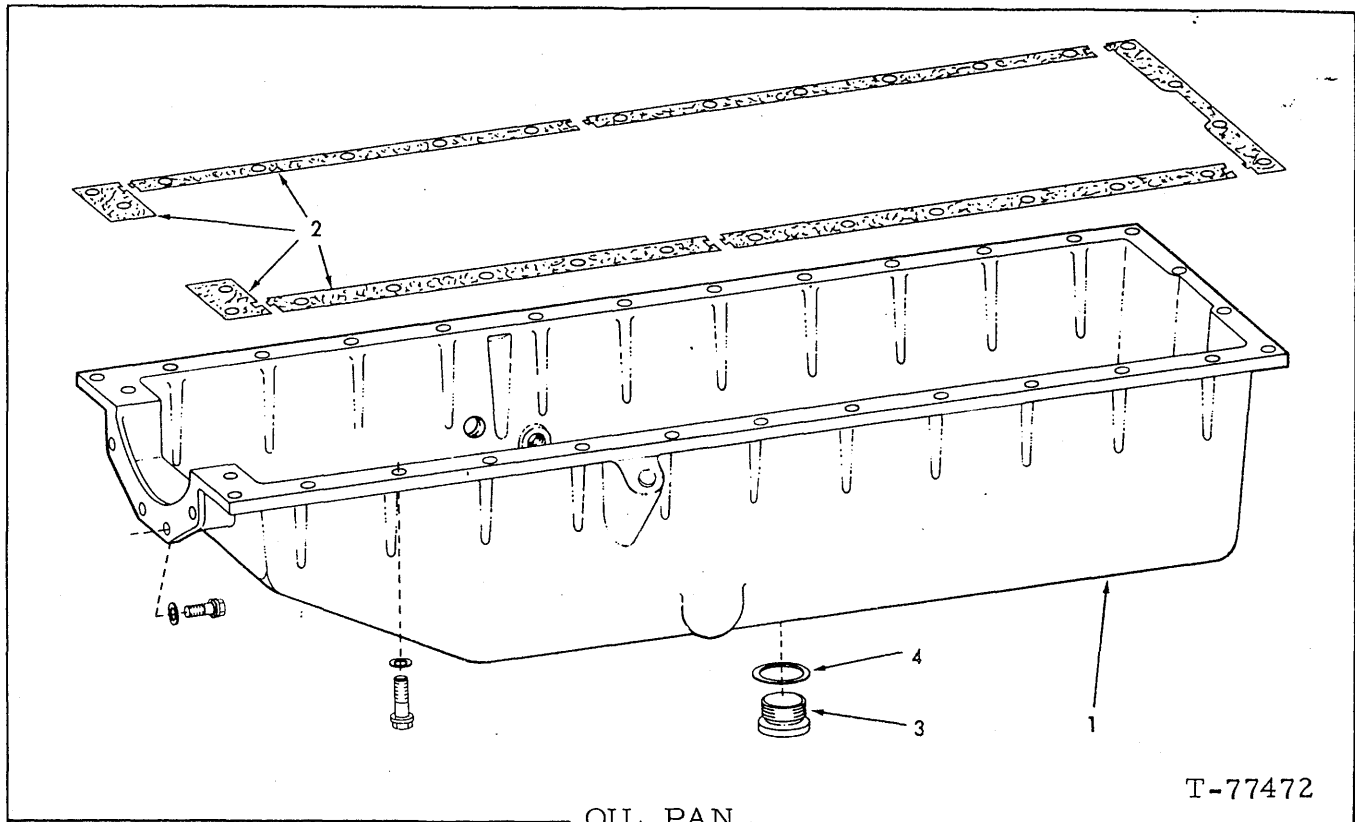
ITEM	PART NO.	QTY.	DESCRIPTION
		* **	
23	74389599	5 5	STUD, housing cover
24	74391019	1 1	SEAL, oil, upper shaft
25	74251601	1 1	GASKET, tachometer drive adapter
26	74365627	1 1	ADAPTER, tachometer drive
27	74386879	1 1	SEAL, oil, lower shaft
28	74254742	1 1	RING, snap, bushing retaining
29	74377278	1 1	BUSHING, housing cover
30	74376702	1 -	SHAFT, lower
	74391475	- 1	SHAFT, lower
	70917409	1 1	KEY, #9 woodruff, 3/16" x 3/4"
31	74369751	1 -	NUT, upper shaft
	70900808	1 -	PIN, cotter, 1/8" x 1-1/2"
	70918182	- 1	NUT, upper shaft (self-locking)
32	74376590	1 1	GEAR, driving, fuel transfer pump
33	74391554	1 -	GEAR, lower shaft (42 teeth)
	74391554	- 1	GEAR, lower shaft (42 teeth)
34	74368154	1 -	WASHER, thrust, lower shaft, rear
	70917014	2 -	PIN, dowel, 1/8" x 3/8"
	74391412	- 1	WASHER, thrust, lower shaft, rear
35	74376602	1 -	HOUSING ASSY. (Includes item 36)(Order 74391408)
	74391408	- 1	HOUSING ASSY. (Includes item 36)
	70917673	4 4	PLUG, pipe, hex-socket, 1/8"NPT
36	74369746	4 4	BUSHING, accessory drive housing
37	74362726	1 -	SHIM, lower shaft end-play adjustment (laminated)
38	74364166	1 1	WASHER, thrust, lower shaft, front
39	74371119	1 -	NUT, lower shaft
	70900808	1 -	PIN, cotter, 1/8" x 1-1/2"
	70918182	- 1	NUT, lower shaft (self-locking)
40	74376627	1 1	TUBE ASSY., lubricating oil (Includes nuts)
	70910141	1 1	CONNECTOR, flare type, 1/4" tube, 1/8"NPT male
	70907013	1 1	ELBOW, street, brass, 90°, 1/8"NPT
41	70913475	1 1	ELBOW, oil tube (Engines prior to S/N 21-09647)
	74391885	- 1	ELBOW, oil tube (Engine S/N 21-09647 and up)
	70917841	1 1	NIPPLE, pipe, 1/8"NPT x 7/8"
42	74361829	1 1	CLIP, tube supporting
	74335669	1 1	CAPSCREW, drilled-hd., 1/4"NC x 1/2"
	70904204	1 1	LOCKWASHER, 1/4"
	74348691	1 1	WIRE, locking, #18 x 6"
43	74391710	1 -	ADAPTER, pump drive (Used to adapt SHAFT 74388889 as service substitute for SHAFT 74371740)



T-39379

USAGE: Original equipment.

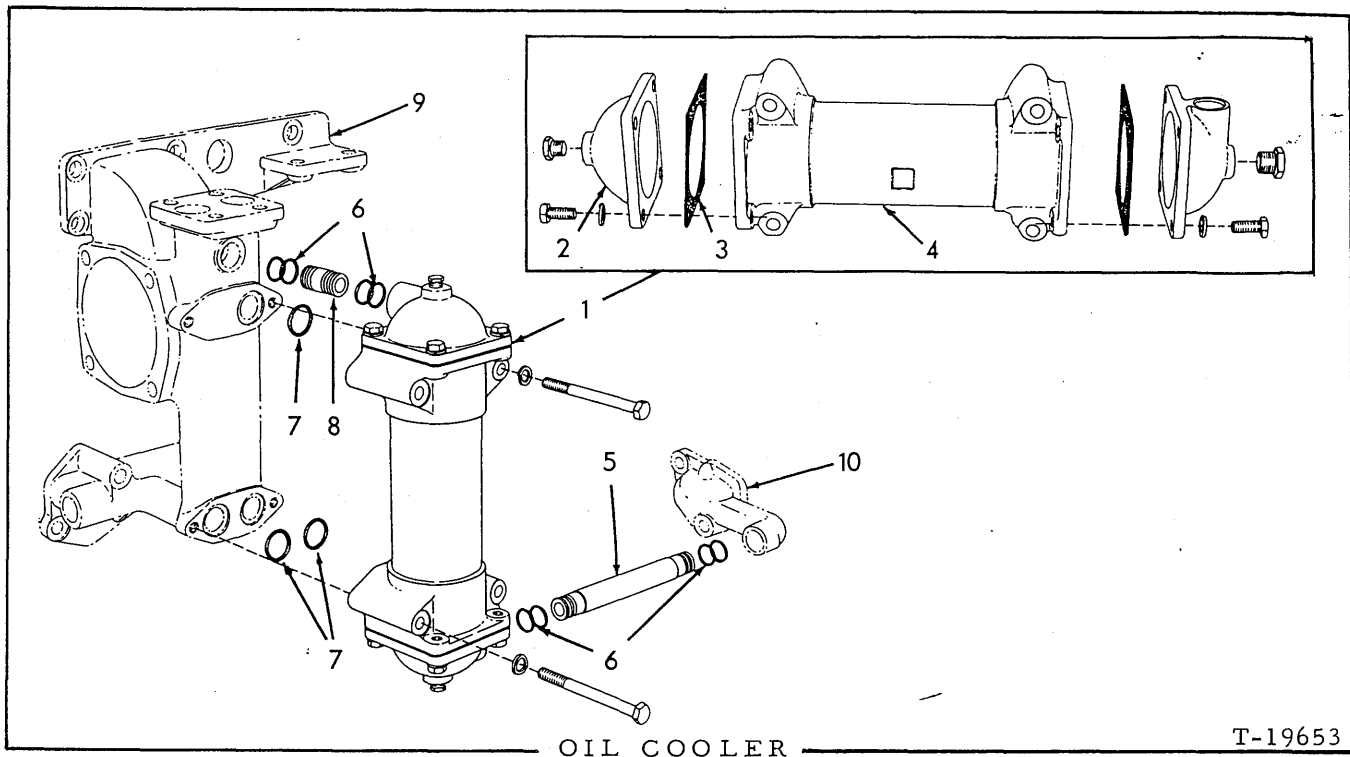
ITEM	PART NO.	QTY.	DESCRIPTION
1	74391646	1	PAN, oil, upper section
	70919840	1	PLUG, pipe, hex-hd., 1/4"NPT
	70916314	23	CAPSCREW, 1/2"NC x 2"
	70915987	1	CAPSCREW, 1/2"NC x 1-1/2"
	70922065	2	SCREW, 12-pt. head, 1/2"NC x 1-1/4"
	70912333	26	WASHER, plain
2	74385796	1	PLATE, oil baffle
	70915343	6	CAPSCREW, 1/4"NC x 5/8"
	70904204	6	LOCKWASHER, 1/4"
3	74395803	1	GASKET SET, upper oil pan
4	74379070	1	□SEAL, oil
5	74385781	1	GASKET SET, lower oil pan
6	74391390	1	PAN, oil, lower section
	70914847	26	CAPSCREW, 3/8"NC x 1-1/2"
	70911423	26	WASHER, plain, 3/8"
	70916326	4	CAPSCREW, 1/2"NC x 7-1/2"
	70912333	4	WASHER, plain, 1/2"
7	70035250	2	PLUG, oil drain (See NOTE)
8	70667252	2	GASKET, drain plug (In front cover) (See NOTE)
<p><u>NOTE:</u> Items 7 and 8; 1 less used on engine S/N 21-091127 and up.</p>			
9	74371255	1	PLATE, clean-out hole
	70919224	8	CAPSCREW, 3/8"NC x 1-1/8"
	70904206	8	LOCKWASHER, 3/8"
10	74371289	1	□GASKET, clean-out hole plate



USAGE: Engines with oil pump conversion kit 74394971 (See Packaged Parts)

ITEM	PART NO.	QTY.	DESCRIPTION
1	74395235	1	PAN (Also order 1 Plug 70035250, 1 Gasket 70667252, 1 Plug 70921216 and 1 Plug 74362338)
	70922064	4	CAPSCREW, 12-pt., 1/2"NC x 1"
	70922220	30	CAPSCREW, 12-pt., 1/2"NC x 1-1/2"
	70912007	34	WASHER, plain
	70924636	1	PLUG, pipe, 1/2"NPT
	70918851	1	PLUG, pipe, 3/4"NPT
	74362338	1	PLUG, gauge hole
	70921216	1	PLUG (Includes O-RING)
	70921214	1	O-RING
	70924420	1	PLUG, 1-1/2"NPT
2	74395803	1	GASKET SET
3	70035250	1	PLUG, drain
4	70667252	1	GASKET, drain plug

MEMO



OIL COOLER

T-19653

USAGE: 21000H engines only.

ITEM	PART NO.	QTY.	DESCRIPTION
1	74388395	1	EXCHANGER ASSEMBLY, heat, lubricating oil (Consists of items 2 thru 4)(If for engines prior to #21-06509 also order TUBE 74389841)
	70919801	4	CAPSCREW, 3/8"NC x 4"
	70904206	4	LOCKWASHER, 3/8"
2	74386642	1	BONNET, heat exchanger core, lower
	74386642	1	BONNET, heat exchanger core, upper (Engines prior to #21-06509)
	74388394	1	BONNET, heat exchanger core, upper (Engines #21-06509 and up)
	70919840	2	PLUG, pipe, hex-hd., 1/4"NPT
	70915408	8	CAPSCREW, 3/8"NC x 3/4"
	70904206	8	LOCKWASHER, 3/8"
3	74349984	2	GASKE T, heat exchanger core
4	74376991	1	CORE, heat exchanger
5	74386864	1	TUBE, water, heat exchanger to by-pass tube
6	70923379	8	□O-RING, heat exchanger water tubes
7	74255511	3	□O-RING, heat exchanger to manifold (1-3/16"O. D.)(Used prior to engine #21-05752)
	74255631	2	□O-RING, heat exchanger to manifold (1-1/2"O. D.)(Effective with engine #21-05752)
8	74376813	1	TUBE, water, heat exchanger to manifold (1-5/8" long)(Used prior to engine #21-05752)
	74389129	1	TUBE, water, heat exchanger to manifold (1-7/16" long)(Effective with engine #21-05752)
	74389841	1	TUBE, water, heat exchanger to manifold (1-11/16" long)(Used for special service only. See item 1)
9	-----	-	MANIFOLD, water and oil (See WATER INLET MANIFOLD AND HEAT EXCHANGER)
10	-----	-	FLANGE, water pump (See WATER OUTLET MANIFOLD)

(Revised August 1979)

OIL PUMPS

*21000H Engine }
 **21000-Mark II Engine } Original equipment

ITEM	PART NO.	QTY.	DESCRIPTION
		* **	
			<u>NOTE:</u> Replacements for the original equipment pressure and scavenging pump assemblies (items 1 and 16) are no longer supplied. If replacement of either pump is necessary, install Oil Pump Conversion Kit 74394971)
1	74390076	1 -	PUMP ASSY., pressure (See page 44 for parts)(See NOTE above)
	74390252	- 1	PUMP ASSY., pressure (See page 44 for parts)(See NOTE above)
2	70912274	2 2	CAPSCREW, socket-hd., 7/16"NC x 1-1/2"
	70904207	2 2	LOCKWASHER, 7/16"
3	74371253	2 2	DOWEL, hollow, pressure pump
4	74371345	1 -	□GASKET, pressure pump suction line
	74389782	- 1	GASKET, pressure pump suction line
5	74385955	1 -	TUBE, suction, pressure pump
	74390362	- 1	TUBE, suction, pressure pump
6	74378558	2 2	CAPSCREW, drilled-hd., 3/8"NC x 1-1/8"
	70904206	2 2	LOCKWASHER, 3/8"
7	74377201	2 2	CAPSCREW, drilled-hd., 7/16"NC x 1-1/4"
	70904207	2 2	LOCKWASHER, 7/16"
	74509035	2 2	WIRE, locking, #18 x 10"
8	74390195	1 -	TUBE, discharge, scavenging pump (Engines prior to #21-07663)
9	74378558	2 -	CAPSCREW, drilled-hd., 3/8"NC x 1-1/8"
	70904206	2 -	LOCKWASHER, 3/8"
	74509035	1 -	WIRE, locking, #18 x 10"
10	74388488	1 1	TUBE, discharge, scavenging pump (Engines #21-07663 and up)
11	74335610	2 2	CAPSCREW, drilled-hd., 3/8"NC x 1"
	70904206	2 2	LOCKWASHER, 3/8"
	74509035	1 1	WIRE, locking, #18 x 10"
12	74389732	1 1	COVER, pressure pump oil screen
13	74374129	2 -	CAPSCREW, drilled-hd., 5/16"NC x 3/4"
	70915813	- 2	CAPSCREW, 5/16"NC x 7/8"
	74509035	1 -	WIRE, locking #18 x 10"
14	74374127	1 1	SCREEN, pressure oil pump
15	74376294	1 1	RETAINER, pressure oil pump screen
16	74388485	1 -	PUMP ASSY., scavenging (See page 45 for parts)(See NOTE above)
	74390098	- 1	PUMP ASSY., scavenging (See page 45 for parts)(See NOTE above)
17	70912274	2 2	CAPSCREW, socket-hd., 7/16"NC x 1-1/2"
	70904207	2 2	LOCKWASHER, 7/16"
18	74371253	2 2	DOWEL, hollow, scavenging pump
19	74371345	1 -	□GASKET, scavenging pump suction line
	74389782	1 1	GASKET, scavenging pump suction line
20	74385537	1 1	SHAFT, scavenging pump drive

(Continued)

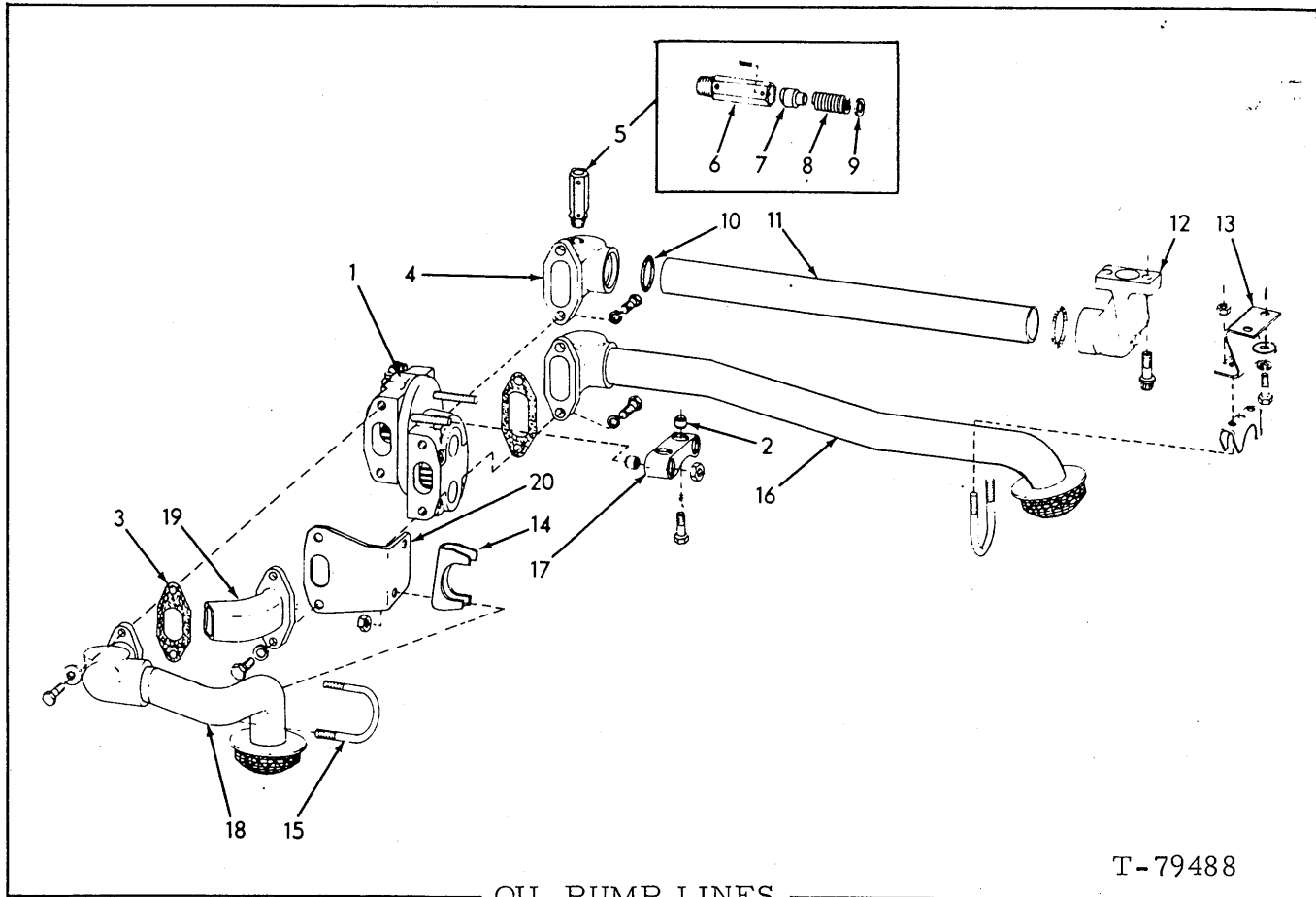
OIL PUMPS (Continued)

ITEM	PART NO.	QTY. * **	DESCRIPTION
21	74385536	2 2	COUPLING, splined, scavenging pump drive
22	74385715	1 1	SPRING, pump drive shaft
23	74660423	1 1	□GASKET, discharge line to block
24	74388133	1 -	TUBE, pressure pump discharge
	74388261	- 1	TUBE, pressure pump discharge
25	70916314	2 2	CAPSCREW, 1/2"NC x 2"
	70904208	2 2	LOCKWASHER, 1/2"
26	74378558	2 2	CAPSCREW, drilled-hd., 3/8"NC x 1-1/8"
	70904206	2 2	LOCKWASHER, 3/8"
	74509035	1 1	WIRE, locking #18 x 10"
27	74371345	1 -	□GASKET, discharge line to pump
	74389782	- 1	GASKET, discharge line to pump
28	74354573	1 1	VALVE ASSEMBLY, pressure relief (Items 29 thru 31)
29	-----	1 1	BODY, pressure relief valve
30	-----	1 1	PISTON, pressure relief valve
31	-----	1 -	SPRING, pressure relief valve (Used prior to engine #21-06741. Order item 28)
	74354568	1 1	SPRING, pressure relief valve (Effective with engine #21-06741)
	74359310	1 1	WASHER
	70916001	1 1	PIN, spring, 3/16" x 1"
32	-----	1 -	WASHER, locking, relief valve cap
33	-----	1 -	CAP, relief valve
34	74509035	1 1	WIRE, locking, pressure relief valve
35	74385961	1 -	TUBE, suction, scavenging pump
	74390328	- 1	TUBE, suction, scavenging pump
36	74378558	2 -	CAPSCREW, drilled-hd., 3/8"NC x 1-1/8"
	74335548	- 2	CAPSCREW, drilled-hd., 3/8"NC x 1-7/8"
	74509035	1 1	WIRE, locking, #18 x 10"
37	74335610	2 -	CAPSCREW, drilled-hd. 3/8"NC x 1"
38	74377202	- 1	CAPSCREW, drilled-hd., 5/16"NC x 7/8"
	70910335	- 1	WASHER, plain, SAE std., 5/16"
	70904206	4 2	LOCKWASHER, 3/8"
	70904205	- 1	LOCKWASHER, 5/16"
	74348691	1 1	WIRE, locking #18 x 6"
39	74385976	1 -	BRACKET, supporting, scavenging pump suction tube
40	74335600	1 -	CAPSCREW, drilled-hd., 5/16"NC x 7/8"
	70913755	2 -	WASHER, plain.
	70904205	1 -	LOCKWASHER, 5/16"
	74348691	1 -	WIRE, locking, #18 x 6"
	41	74348684	1 1
42	74374129	2 -	CAPSCREW, drilled-hd., 5/16"NC x 3/4"
	70915813	- 2	CAPSCREW, 5/16"NC x 7/8"
	74509035	1 -	WIRE, locking, #18 x 10"
43	74348683	1 1	SCREEN, scavenging oil pump
44	74348682	1 1	RETAINER, scavenging oil pump screen
45	74386384	- 1	SHIM, scavenging pump

} Not serviced separately

} Used prior to engine #21-06741. Order item 28

(Revised August 1979)



T-79488

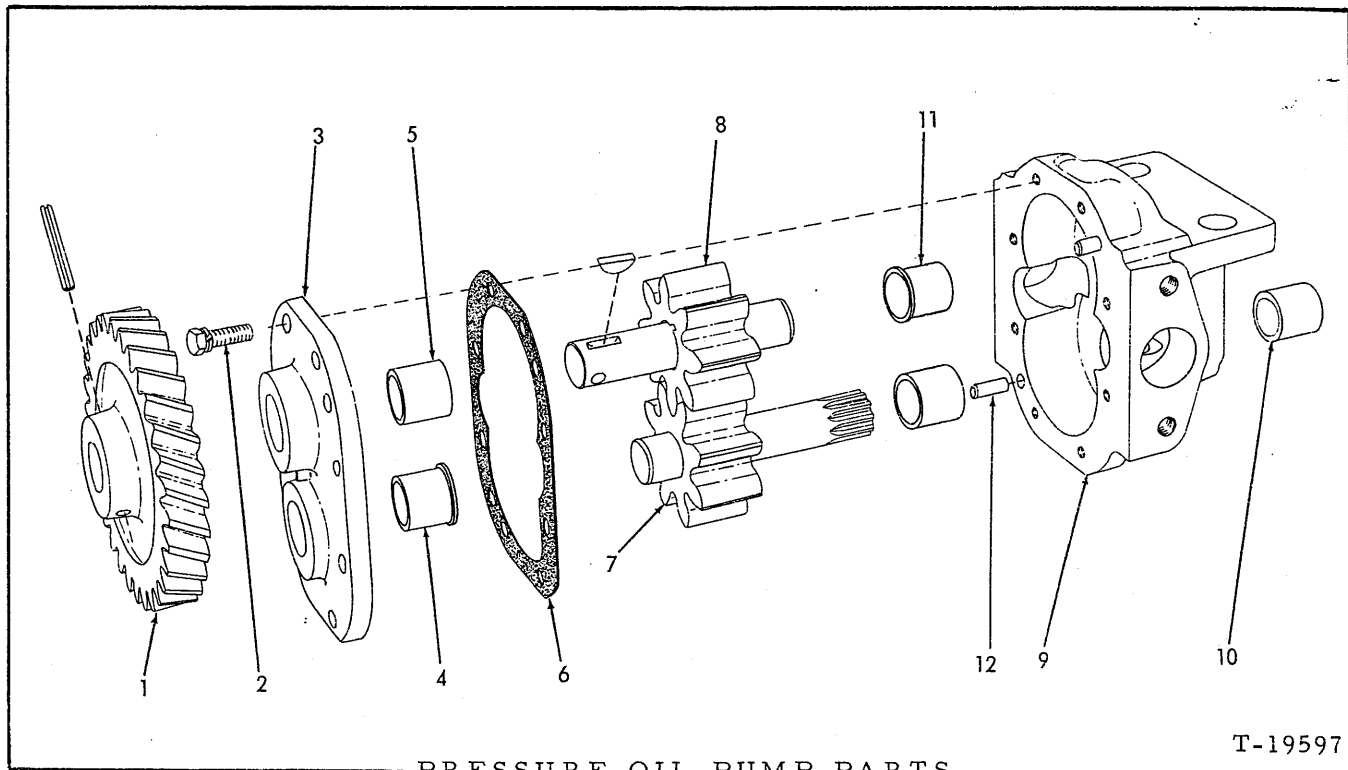
USAGE: Engines with oil pump conversion kit 74394971 (See Packaged Parts)

ITEM	PART NO.	QTY.	DESCRIPTION
1	-----	1	PUMP ASSY. (See pages 45A and 45B)
	70914678	2	LOCKWASHER, 7/16"
	70928212	2	NUT, 7/16"NC
2	74395024	4	DOWEL
3	74393359	2	GASKET
4	74393362	1	ELBOW
	70923193	2	CAPSCREW, 3/8"NF x 1-1/4"
	70916543	2	LOCKWASHER, internal teeth, 3/8"
5	74320597	1	VALVE ASSY. (Includes items 6 thru 9)
6	-----	1	BODY (Not serviced separately)
	70916001	1	PIN, spring, 3/16" x 1"
7	-----	1	PISTON (Not serviced separately)
8	74354568	1	SPRING
9	74359310	1	WASHER
10	70927044	2	O-RING
11	74393364	1	TUBE
12	74395053	1	ELBOW
	70922220	2	CAPSCREW, 12 pt., 1/2"NC x 1-1/2"
13	74393599	1	BRACKET
	70921569	2	CAPSCREW, 7/16"NC x 1-1/4"
	70914678	2	LOCKWASHER, 7/16"

(Continued)

OIL PUMP LINES (Continued)

ITEM	PART NO.	QTY.	DESCRIPTION
14	74393601	2	SADDLE
15	74393600	2	U-BOLT
	70916871	4	NUT, elastic stop, 5/16"NC
16	74395060	1	TUBE ASSY. (Includes screen)
	70924228	2	CAPSCREW, 3/8"NF x 1-1/2"
	70916543	2	LOCKWASHER, internal teeth, 3/8"
17	74393341	1	BRACKET
	70927583	2	CAPSCREW, 7/16"NC x 1-3/4"
	70911992	2	WASHER
18	74395061	1	TUBE ASSY. (Includes screen)
	70923193	2	CAPSCREW, 3/8"NF x 1-1/4"
	70916543	2	LOCKWASHER, internal teeth, 3/8"
19	74394957	1	ELBOW
	70924228	2	CAPSCREW, 3/8"NF x 1-1/2"
	70916543	2	LOCKWASHER, internal teeth, 3/8"
20	74395062	1	BRACKET



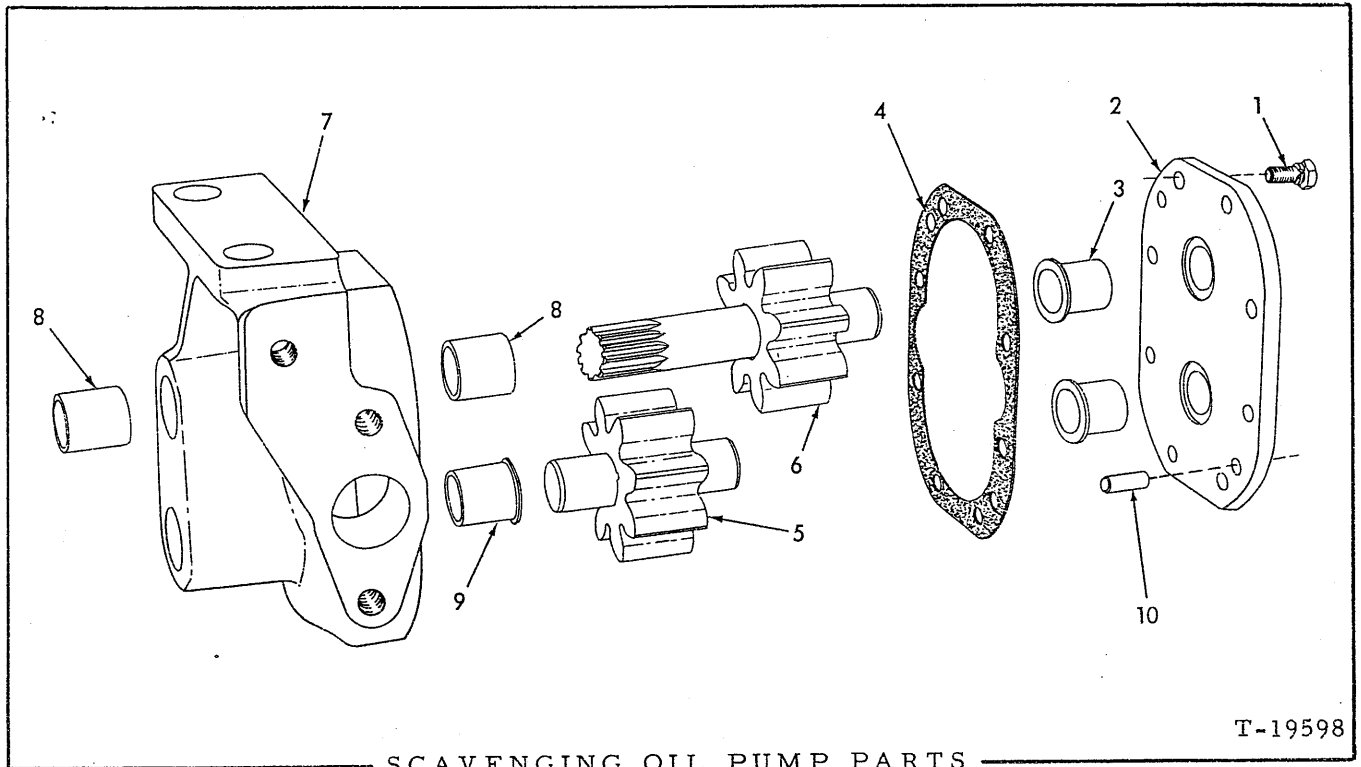
T-19597

PRESSURE OIL PUMP PARTS

* PUMP ASSEMBLY 74390076 } See page 13
 ** PUMP ASSEMBLY 74390252 }

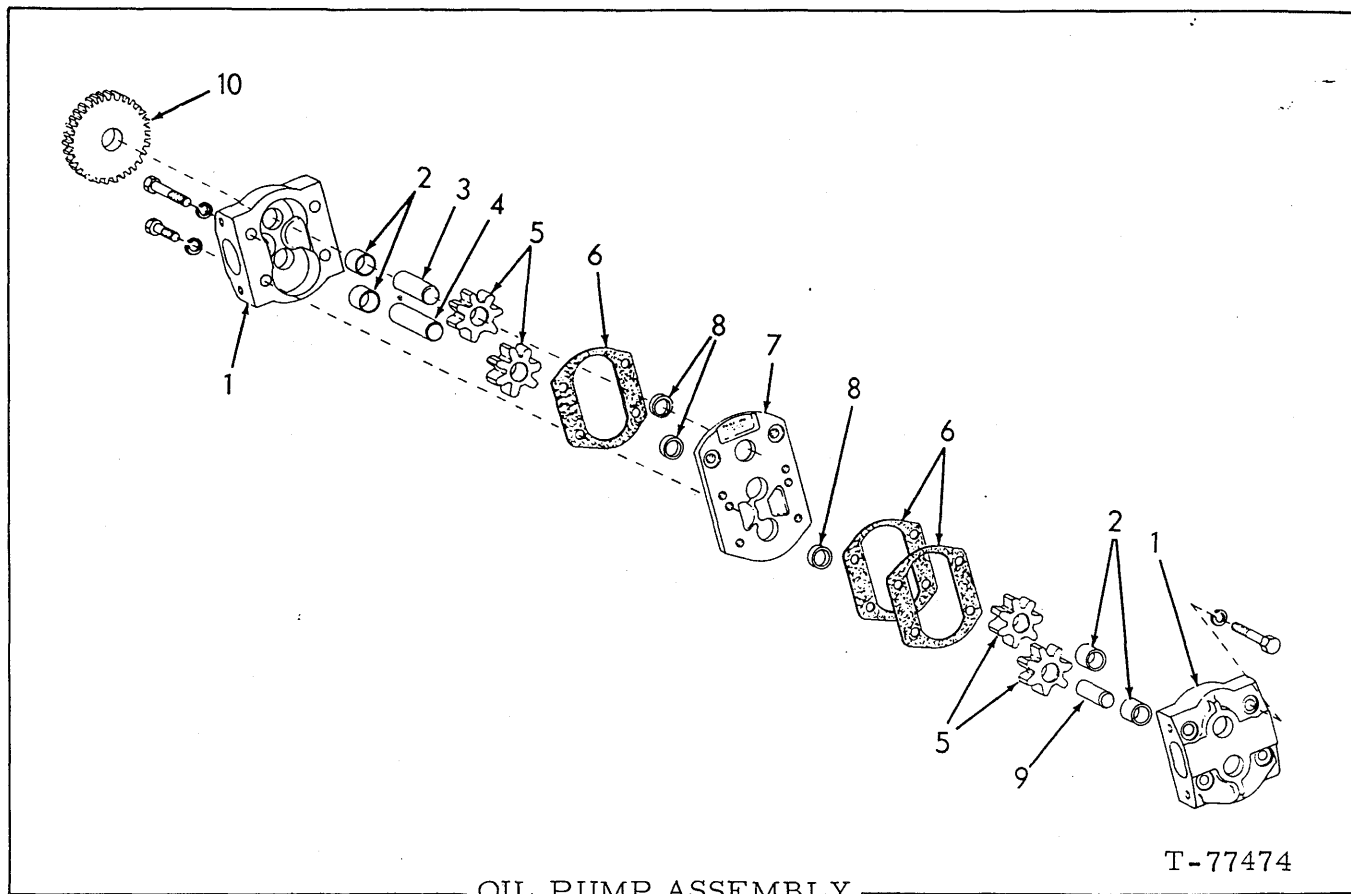
ITEM	PART NO.	QTY.		DESCRIPTION
		*	**	
1	74389054	1	-	GEAR, driving
	74386088	-	1	GEAR, driving
	70915989	1	-	PIN, spring, 3/16" x 1-3/8"
	70915751	-	1	PIN, spring, 3/16" x 1-1/2"
	70910224	1	1	KEY, #6 woodruff, 5/32" x 5/8"
2	70923408	8	8	CAPSCREW, pump cover (Includes lockwasher)
3	74377037	1	-	COVER ASSEMBLY } Each includes items 4 and 5
	74386077	-	1	
4	74377038	1	1	BUSHING, pump cover (flanged)
5	74371270	1	1	BUSHING, pump cover (plain)
6	74371300	1	-	GASKET, cover
	74386083	-	1	
7	74379415	1	1	SHAFT AND GEAR ASSEMBLY, lower
8	74390078	1	-	SHAFT AND GEAR ASSEMBLY, upper (8 teeth)
	74390067	-	1	
9	74390075	1	-	BODY ASSEMBLY (Includes items 10 thru 12)
	74390064	-	1	
10	74371270	2	2	BUSHING, pump body (plain)
11	74377039	1	1	BUSHING, pump body (flanged)
12	70917555	2	2	PIN, dowel, pump body

(Revised August 1979)



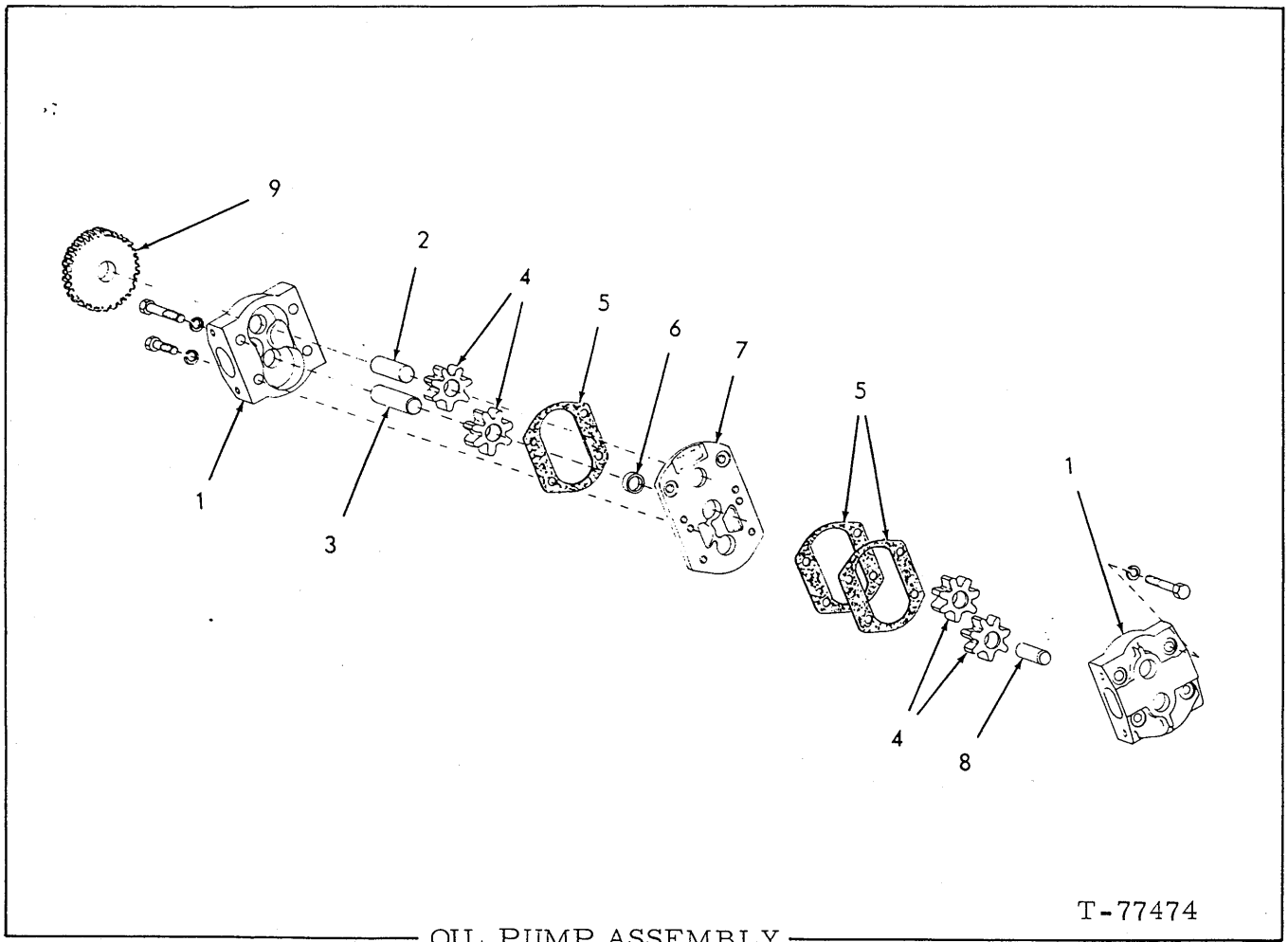
* PUMP ASSEMBLY 74388445 } See page 13
 ** PUMP ASSEMBLY 74390098 }

ITEM	PART NO.	QTY.		DESCRIPTION
		*	**	
1	70923408	8	8	CAPSCREW, pump cover
2	74377050	1	1	COVER ASSEMBLY (Includes item 3)
3	74377039	2	2	BUSHING, pump cover
4	74371300	1	1	GASKET, pump cover
5	74377054	1	1	SHAFT AND GEAR ASSEMBLY, lower
6	74379610	1	1	SHAFT AND GEAR ASSEMBLY, upper
7	74388486	1	-	BODY ASSEMBLY } Each includes items 8 thru 10
	74390097	-	1	
8	74371270	2	2	BUSHING, pump body (plain)
9	74377039	1	1	BUSHING, pump body (flanged)
10	70917555	2	2	PIN, dowel, pump body



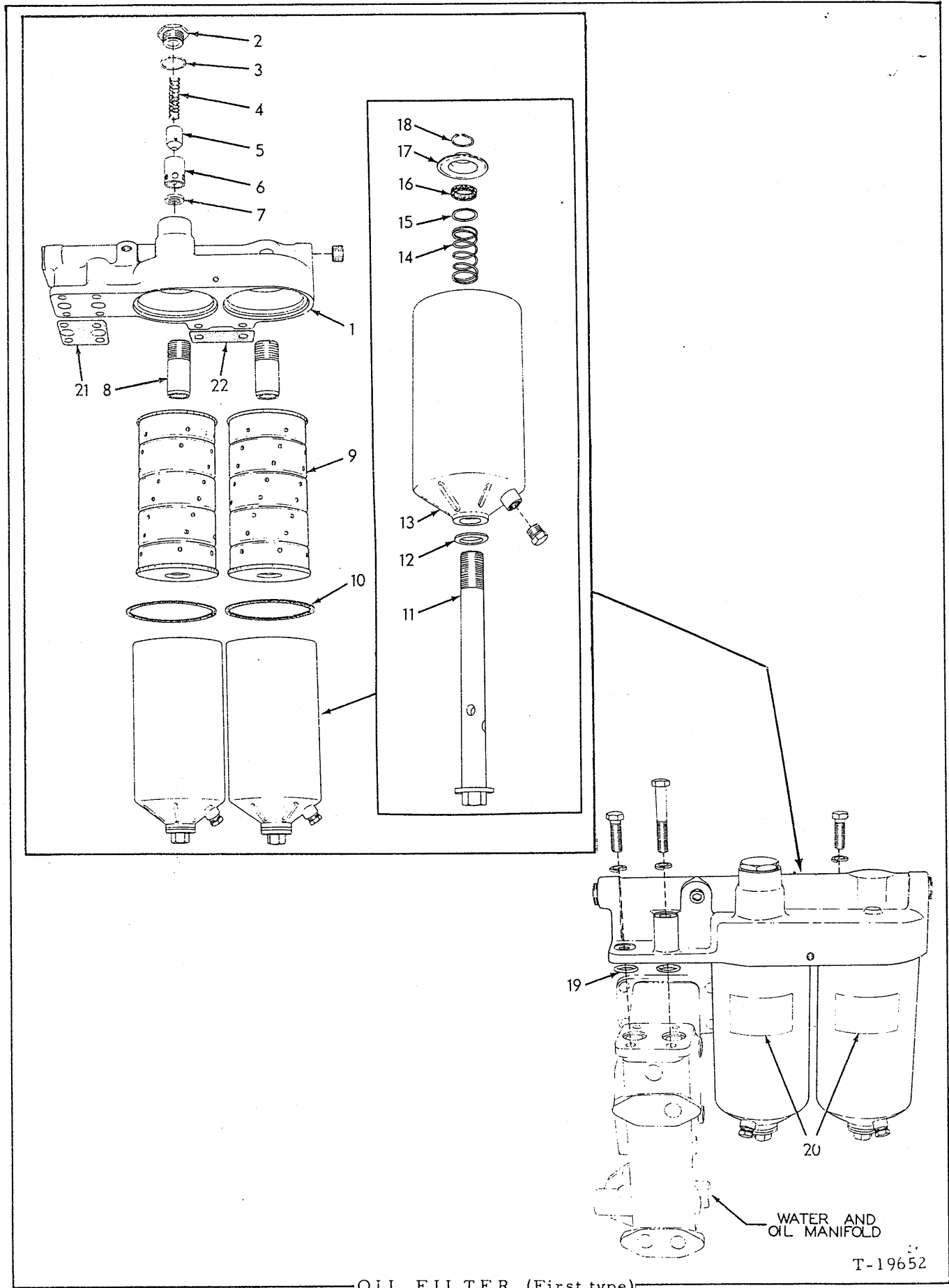
USAGE: First type (See page 43A)(Engines with oil pump conversion kit 74394971)

ITEM	PART NO.	QTY.	DESCRIPTION
-	74395092	1	PUMP ASSY. (Includes items 1, 3 thru 7, 9 and 10)
1	74395087	2	BODY
	70920594	6	CAPSCREW, 7/16"NF x 2"
	70928211	2	CAPSCREW, 7/16"NF x 3-3/4"
	70907863	8	LOCKWASHER, 7/16"
2	74393346	4	BUSHING (Engines prior to #21-14553)
3	74393351	1	SHAFT
4	74026614	1	SHAFT
5	74028077	4	GEAR
6	74393349	3	GASKET
7	74395089	1	PLATE
8	74393346	3	BUSHING (Engines prior to #21-14553)
9	74393354	1	SHAFT
10	74393355	1	GEAR



USAGE: Second type (See page 43A)(Engines with oil pump conversion kit 74394971)

ITEM	PART NO.	QTY.	DESCRIPTION
-	74396041	1	PUMP ASSY. (Includes items 1 thru 9)
1	74395087	2	BODY ASSY.
	70920594	6	CAPSCREW, 7/16"NF x 2"
	70928211	2	CAPSCREW, 7/16"NF x 3-3/4"
	70907863	8	LOCKWASHER, 7/16"
2	74393351	1	SHAFT
3	74026614	1	SHAFT
4	74396037	4	GEAR
5	74393349	3	GASKET
6	74393346	1	BUSHING
7	74396039	1	PLATE ASSY. (Includes item 6)
8	74393354	1	SHAFT
9	74393355	1	GEAR



OIL FILTER (First type)

(Revised August 1979)

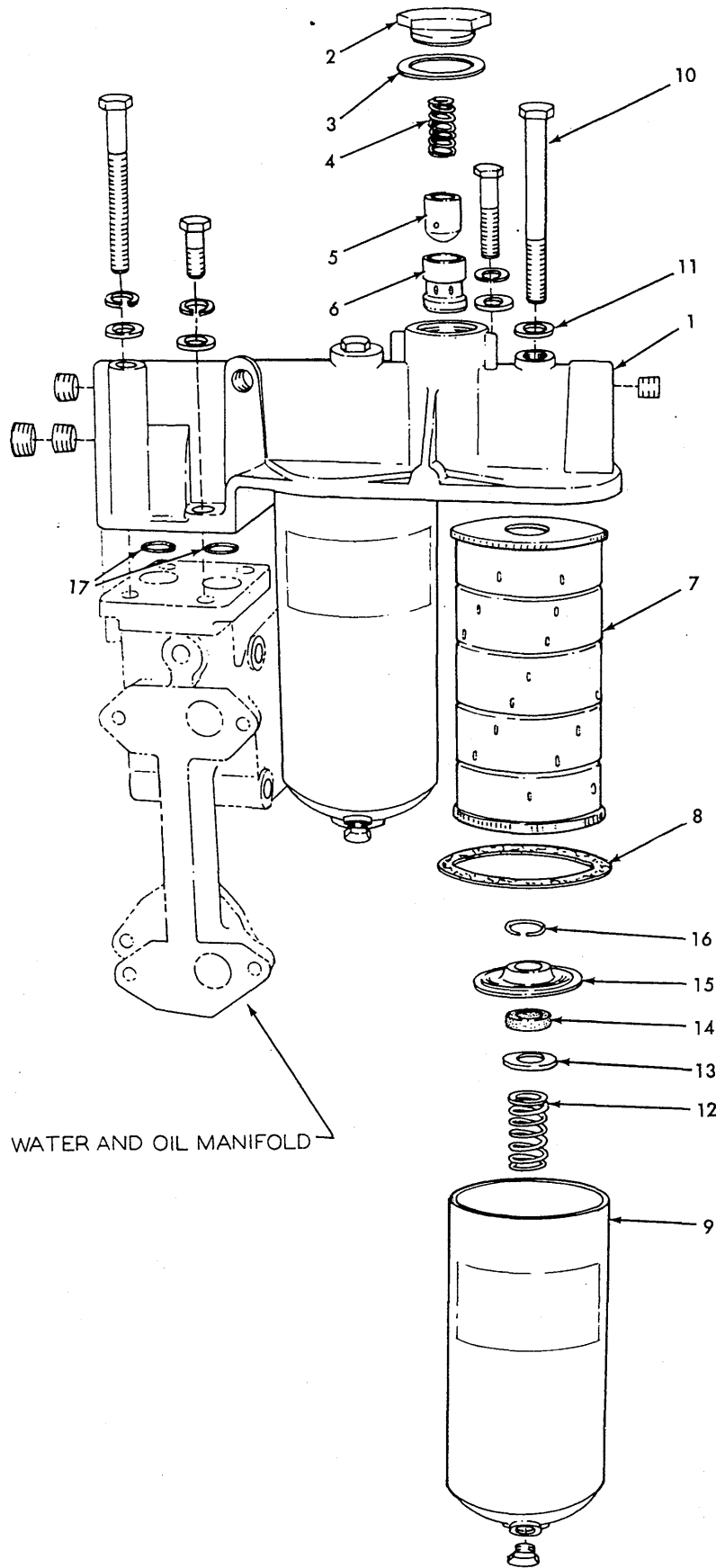
T-19652

OIL FILTER
(Full-flow type)

USAGE: Engines prior to serial No. 21-05809

ITEM	PART NO.	QTY.	DESCRIPTION
1	74385543	1	HEAD ASSEMBLY (Includes items 2 thru 8)
	70918851	2	PLUG, pipe, hex-socket, 3/4"NPT
	70915987	4	CAPSCREW, 1/2"NC x 1-1/2"
	70915969	2	CAPSCREW, 1/2"NC x 3"
	70904208	6	LOCKWASHER, 1/2"
2	74373610	1	CAP, by-pass valve
3	74253751	1	GASKET, by-pass valve cap
4	74335666	1	SPRING, by-pass valve
5	74373613	1	PISTON, by-pass valve
6	74373612	1	SLEEVE, by-pass valve piston
7	74373614	1	SEAT, by-pass valve
8	74378307	2	ADAPTER, center bolt
9	74395889	2	ELEMENT KIT. (Includes item 10)
10	74372325	2	GASKET, filter body
11	74374735	2	BOLT, center
12	74041103	2	GASKET, center bolt
13	74335352	2	BODY
	70918951	2	PLUG, pipe, hex-hd., 3/8"NPT
14	74371036	2	SPRING, element
15	74348268	2	WASHER, element seal
16	74348270	2	SEAL, element
17	74348269	2	ADAPTER, element
18	74253195	2	RING, snap, center bolt
19	74255511	2	O-RING, filter to manifold
20	-----	-	TRANSFERS (See PAINTING AND MARKING)
			<u>NOTE:</u> Following gaskets are used only when late type oil filter head is installed on older units. Not original equipment.
21	74388974	1	GASKET, filter head to water and oil manifold
22	74388975	1	GASKET, shimming, filter head to water and oil manifold

(Revised August 1979)



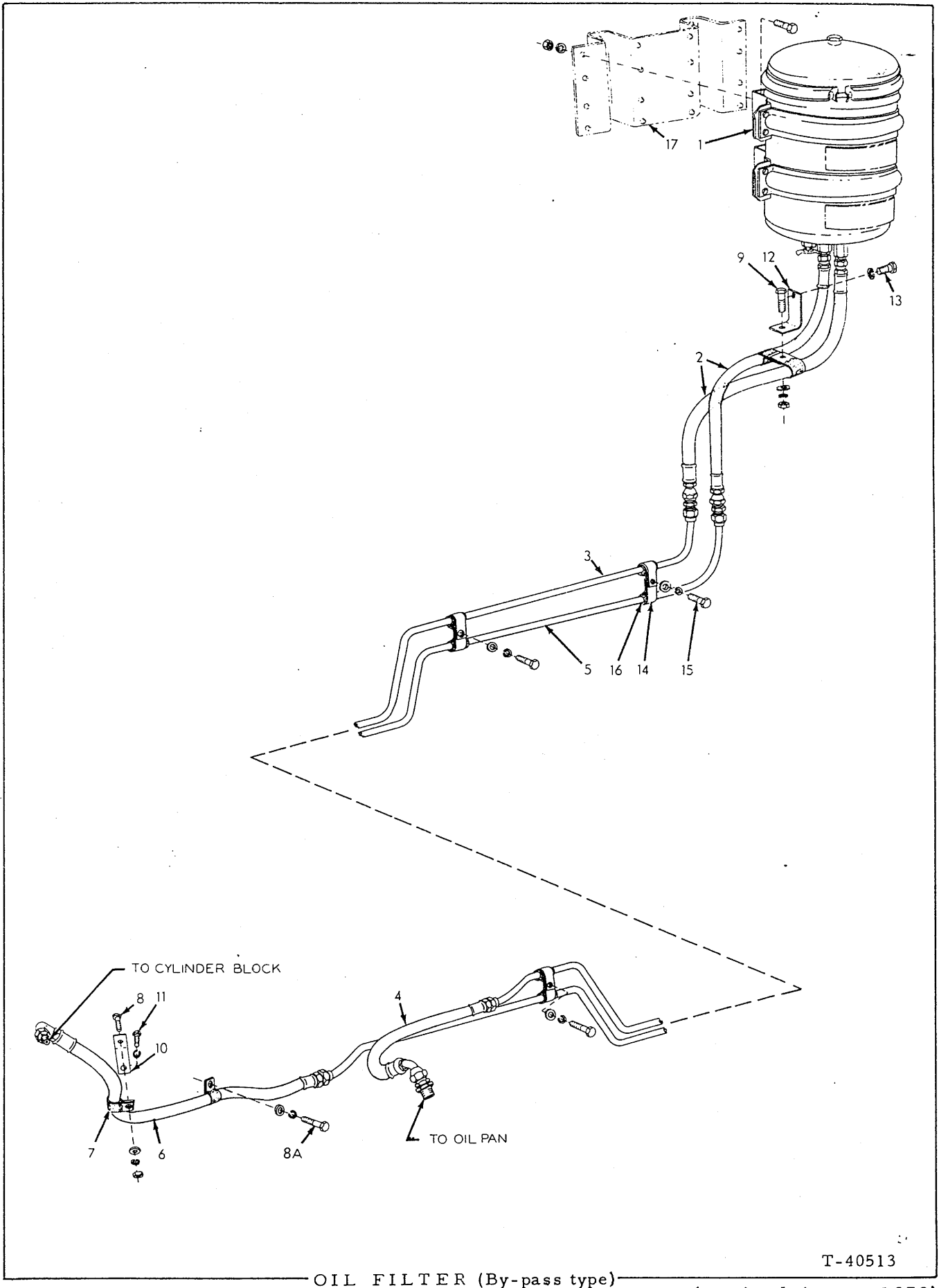
OIL FILTER (Full-flow type)

T-70444

OIL FILTER (Full-flow type)

USAGE: Engines serial No. 21-05809 and up.

ITEM	PART NO.	QTY.	DESCRIPTION
1	74395610	1	HEAD ASSY. (Includes Plugs indented below)
	70918888	3	PLUG, pipe, hex-socket, 1"NPT
	70918697	1	PLUG, pipe, hex-socket, 1-1/4"NPT
	70915987	3	CAPSCREW, 1/2"NC x 1-1/2"
	70916317	2	CAPSCREW, 1/2"NC x 2-3/4"
	70916323	2	CAPSCREW, 1/2"NC x 5-1/2"
	70912333	6	WASHER
	70904208	6	LOCKWASHER, 1/2"
2	74388810	1	CAP
3	74388848	1	GASKET
4	74359656	1	SPRING
5	74373613	1	PISTON
6	74388809	1	SLEEVE
7	74395889	2	ELEMENT KIT (Includes item 8)
8	74372325	2	GASKET
9	74339021	2	BODY
	70918951	2	PLUG, pipe, hex-hd., 3/8"NPT
10	70916324	2	CAPSCREW, 1/2"NC x 6"
11	74376749	2	WASHER
12	74379268	2	SPRING
13	74053410	2	WASHER
14	74053409	2	SEAL
15	74055971	2	ADAPTOR
16	74379269	2	RING
17	74255631	2	O-RING



OIL FILTER (By-pass type)

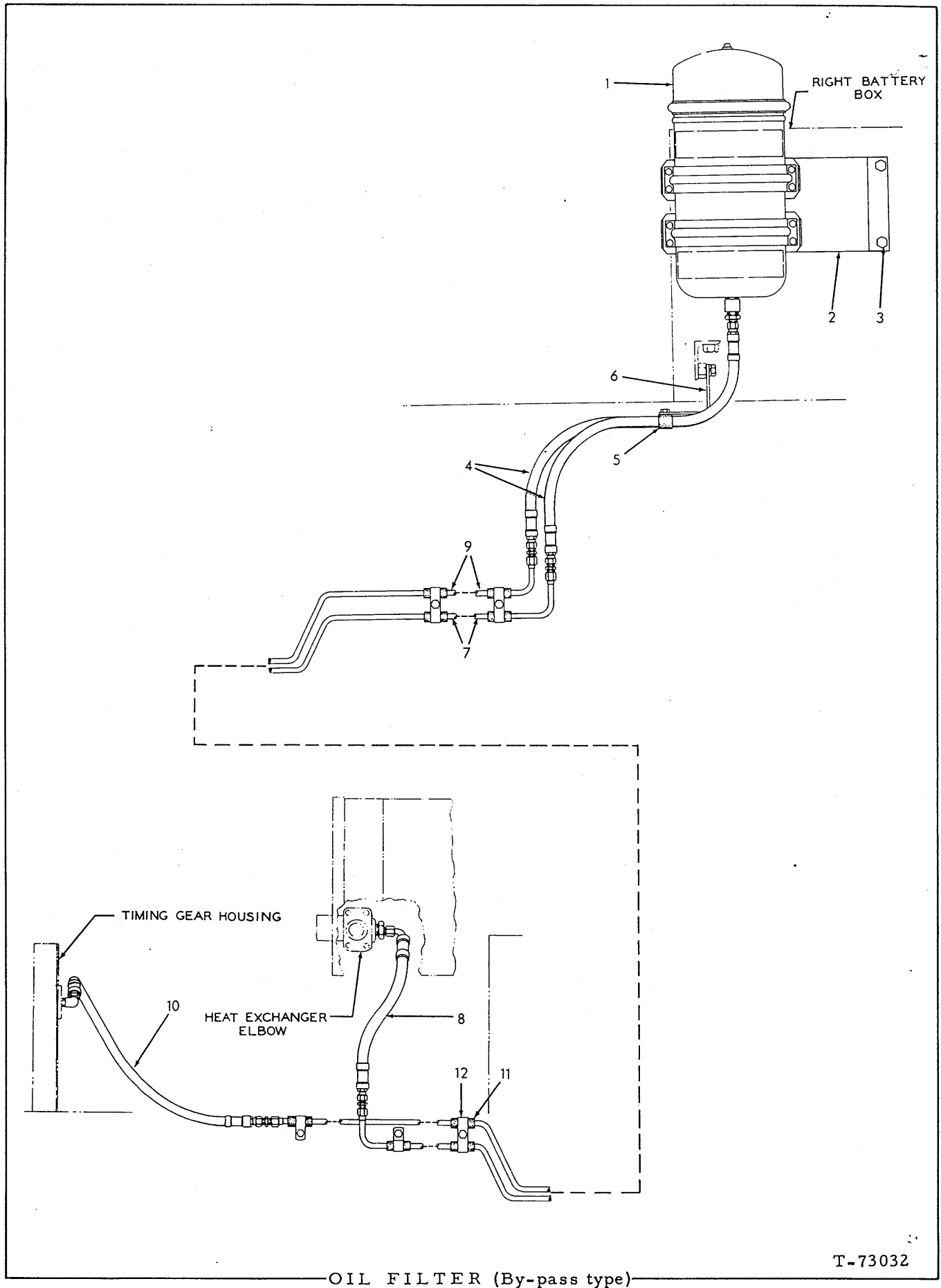
T-40513

(Revised August 1979)

OIL FILTER
(By-pass type)

USAGE: Special equipment on units with 21000H engine. Supplements standard engine-mounted full-flow oil filter.

ITEM	PART NO.	QTY.	DESCRIPTION
1	70082442	1	FILTER ASSEMBLY, lubricating oil (See page 54 for parts)
	70911168	8	CAPSCREW, 5/16"NF x 7/8"
	70904205	8	LOCKWASHER, 5/16"
	70913636	8	NUT, 5/16"NF
2	70645092	2	HOSE, oil filter (See HOSE PARTS)
	70919127	2	CONNECTOR, flare type, 3/8" tube, 1/2"NPT male
	70919065	2	UNION, flare type, 3/8" tube
3	70632981	1	TUBE ASSEMBLY, oil supply (Includes nuts)
4	70644647	1	HOSE, oil supply (See HOSE PARTS)
	70919062	1	CONNECTOR, flare type, 3/8" tube, 1/4"NPT male
	70901839	1	BUSHING, pipe reducing, 1/2"NPT to 1/4"NPT
5	70632980	1	TUBE ASSEMBLY, oil return (Includes nuts)
6	70644642	1	HOSE, oil return (See HOSE PARTS)
	70919062	1	CONNECTOR, flare type, 3/8" tube, 1/4"NPT male
7	70621304	4	CLIP, hose supporting
8	70036032	1	CAPSCREW, 3/8"NF x 3/4"
8A	70035244	1	CAPSCREW, 3/8"NC x 3/4"
9	70036034	1	CAPSCREW, 3/8"NF x 1"
	70911115	3	WASHER, plain, SAE std., 3/8"
	70904206	3	LOCKWASHER, 3/8"
	70911041	2	NUT, 3/8"NF
10	70096935	1	ANGLE, hose supporting
11	70035221	1	CAPSCREW, 1/2"NC x 1"
	70904208	1	LOCKWASHER, 1/2"
12	70631874	1	BRACKET, hose supporting
13	70035221	1	CAPSCREW, 1/2"NC x 1"
	70904208	1	LOCKWASHER, 1/2"
14	70055234	6	CLIP, tube supporting
15	70035244	3	CAPSCREW, 3/8"NC x 3/4"
	70904206	3	LOCKWASHER, 3/8"
	70911115	3	WASHER, plain, SAE std., 3/8"
16	70093751	6	BOOT, tube protecting
17	-----	1	BRACKET, mounting (See SEVERE-SERVICE FUEL FILTER)



T-73032

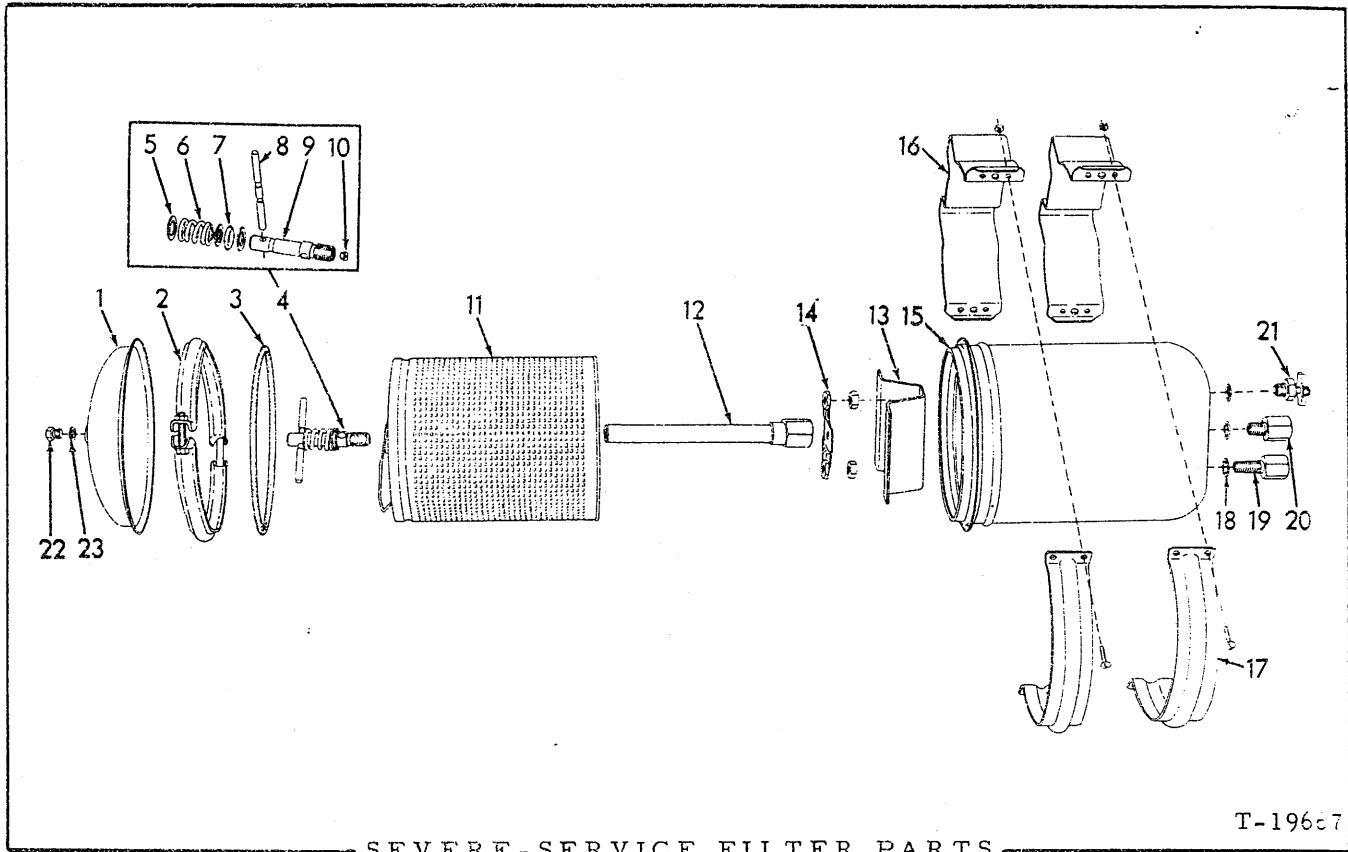
(Revised August 1979)

OIL FILTER
(By-pass type)

USAGE: Standard equipment on units with 21000-Mark II engine. Supplements engine-mounted full-flow oil filter.

ITEM	PART NO.	QTY.	DESCRIPTION
1	74390593	1	FILTER ASSEMBLY (See page 54 for parts)
	70926147	8	CAPSCREW, 5/16"NF x 7/8"
	70910286	8	LOCKWASHER, 5/16"
	70913636	8	NUT, 5/16"NF
2	70080459	1	BRACKET, mounting
3	70927353	4	CAPSCREW, 1/2"NF x 1-1/4"
	70912441	4	LOCKWASHER, 1/2"
	70911043	4	NUT, 1/2"NF
4	70645092	2	HOSE, rear (See HOSE PARTS)
	70919127	2	CONNECTOR, flare type, 3/8" tube, 1/2"NPT male
5	70621304	2	CLIP, rear hose
	70923276	1	CAPSCREW, 3/8"NF x 1"
	70911115	1	WASHER, plain, SAE std., 3/8"
	70904206	1	LOCKWASHER, 3/8"
	70911041	1	NUT, 3/8"NF
6	70631874	1	BRACKET, supporting, rear hose
	70921175	1	CAPSCREW, 1/2"NC x 1"
	70912441	1	LOCKWASHER, 1/2"
7	70665618	1	TUBE ASSEMBLY, oil supply (Includes nuts)
	70919065	1	UNION, flare type, 3/8" tube
8	70659546	1	HOSE, oil supply line, front (See HOSE PARTS)
	70919172	1	CONNECTOR, flare type, 3/8" tube, 3/8"NPT male
9	70665617	1	TUBE ASSEMBLY, oil return (Includes nuts)
	70919065	1	UNION, flare type, 3/8" tube
10	70659547	1	HOSE, oil return line, front (See HOSE PARTS)
	70919136	1	ELBOW, flare type, 3/8" tube, 3/8"NPT male
11	70093751	8	BOOT, tube protecting (rubber)
12	70055234	8	CLIP, tube supporting
	70922300	5	CAPSCREW, 3/8"NC x 3/4"
	70910287	5	LOCKWASHER, 3/8"
	70911115	5	WASHER, plain, SAE std., 3/8"

(Revised August 1979)



SEVERE-SERVICE FILTER PARTS

T-196c7

- *70082441 FILTER ASSY., fuel (See page 56)
- **70082442 FILTER ASSY., oil (See page 51)
- Δ74390593 FILTER ASSY., oil (See page 53)

ITEM	PART NO.	QUANTITY			DESCRIPTION
		*	**	Δ	
1	70082505	1	1	-	COVER
	74059262	-	-	1	COVER
2	70630540	1	1	1	RING ASSEMBLY, cover retaining (Includes nut and bolt)
3	70082449	1	1	1	GASKET, cover
4	70082492	1	-	-	HOLD-DOWN ASSEMBLY, filter element (Includes items 5 thru 9)
	70082493	-	1	-	HOLD-DOWN ASSEMBLY, filter element (Includes items 5 thru 10)
	74059266	-	-	1	HOLD-DOWN ASSEMBLY, filter element (Includes items 5 thru 10)
5	70082489	3	3	3	WASHER, element hold-down
6	70 082490	1	1	1	SPRING, element hold-down
7	70082487	1	1	1	SEAL, element hold-down
8	70 082488	1	1	1	HANDLE, element hold-down
9	-----	1	1	1	STUD, element hold-down (Not serviced separately)

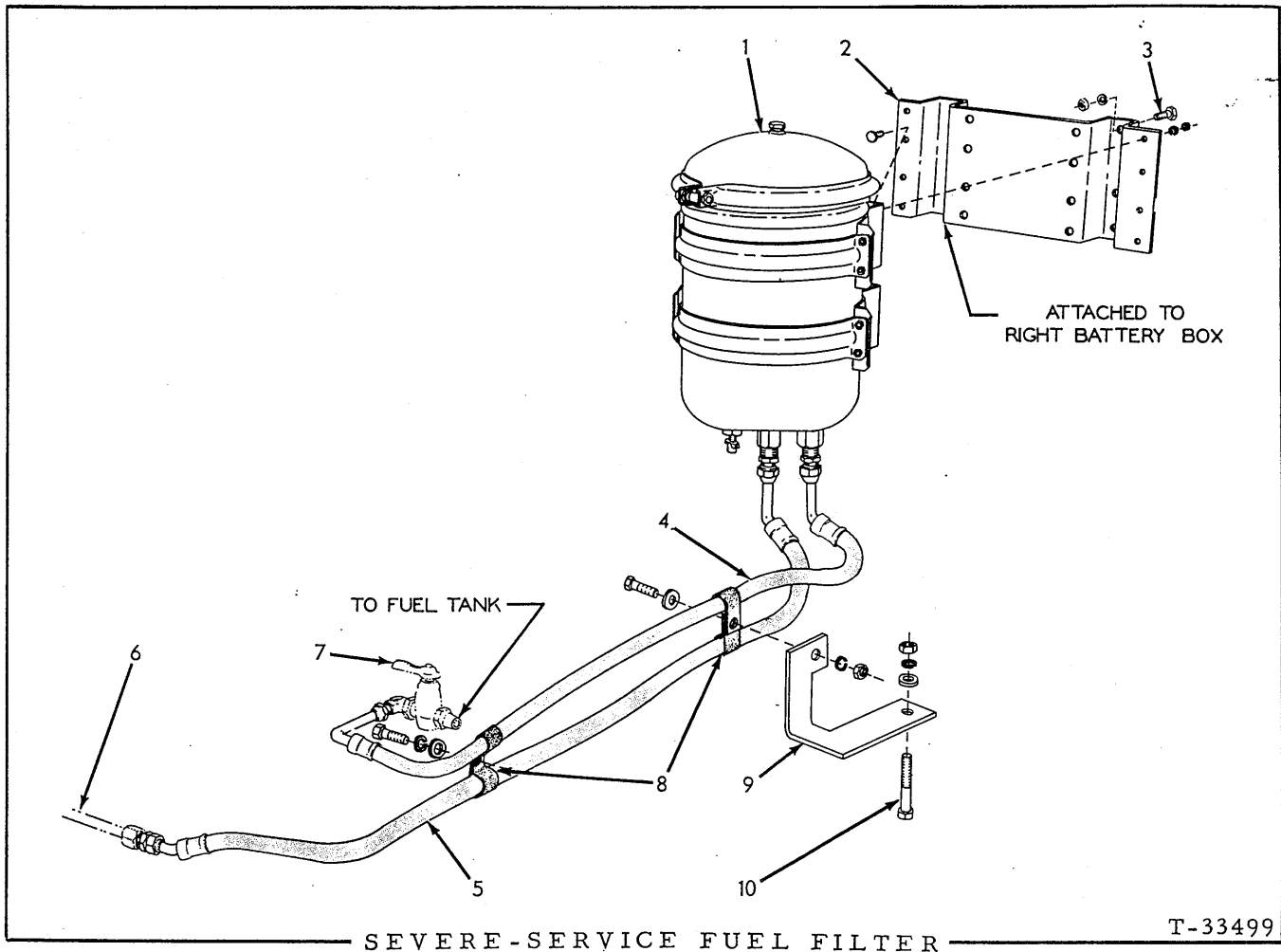
(Continued)

(Revised August 1979)

SEVERE-SERVICE FILTER PARTS (Continued)

ITEM	PART NO.	QUANTITY			DESCRIPTION
		*	**	Δ	
10	70082491	-	1	-	PLUG, orifice, element hold-down
	74059265	-	-	1	PLUG, orifice, element hold-down
11	70091540	1	1	-	ELEMENT, filtering (Original equipment)
	74059373	1	1	-	ELEMENT, filtering (Optional)
	74059343	-	-	1	ELEMENT, filtering
12	70076668	1	1	-	TUBE ASSEMBLY, outlet (Includes nut)
	74059264	-	-	1	TUBE ASSEMBLY, outlet (Includes nut)
13	70096816	1	1	1	SUPPORT, filter element
	70911049	2	2	2	NUT, jam, 5/8"NF
14	70096815	1	1	1	RETAINER, element support nut
15	-----	1	1	1	HOUSING (Not serviced separately)
16	70082444	2	2	2	BRACKET, mounting
17	70082443	2	2	2	BAND, mounting bracket
	70915406	8	8	8	CAPSCREW, 1/4"NC x 3/4"
	70911024	8	8	8	NUT, 1/4"NC
18	70063891	3	3	3	GASKET
19	70063890	-	1	1	VALVE ASSEMBLY, inlet check (Includes 1 spring, 1 ring, 1 cup. Serviced only as a unit)
	70063889	1	-	-	BOLT, hollow
20	70080758	-	1	1	VALVE ASSEMBLY, outlet check (Includes 1 spring, 1 ring, 1 cup. Serviced only as a unit)
	70063889	1	-	-	BOLT, hollow
21	70094167	1	1	1	COCK, drain
22	70084897	1	1	1	PLUG, venting
23	70084899	1	1	1	WASHER, venting plug

(Revised August 1979)



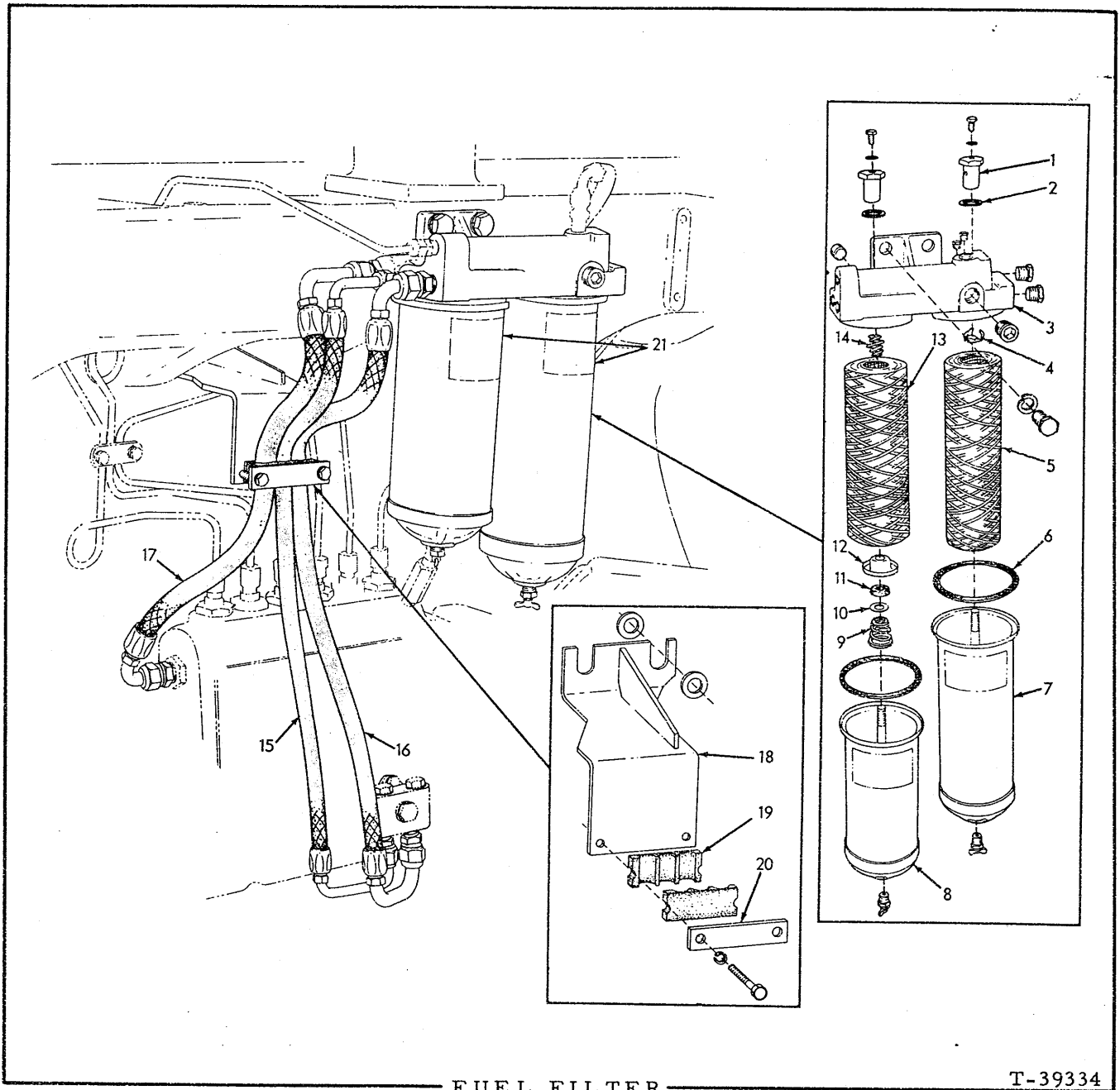
USAGE: Special equipment. Requires removal of first stage fuel filter element

ITEM	PART NO.	QTY.	DESCRIPTION
1	70082441	1	FILTER ASSEMBLY, fuel (See page 54 for parts)
	70911168	8	CAPSCREW, 5/16"NF x 7/8"
	70904205	8	LOCKWASHER, 5/16"
	70913636	8	NUT, 5/16"NF
2	70080459	1	BRACKET, mounting (Also mounts By-pass Oil Filter)
3	70070469	4	CAPSCREW, 1/2"NF x 1-1/4"
	70904208	4	LOCKWASHER, 1/2"
	70911043	4	NUT, 1/2"NF
4	70645253	1	HOSE, filter inlet (See HOSE PARTS)
	70919206	1	ELBOW, flare type, 1/2" tube, 3/8"NPT
	70919128	1	CONNECTOR, flare type, 1/2" tube, 1/2"NPT male
5	70646582	1	HOSE, filter outlet (See HOSE PARTS)
	70919128	1	CONNECTOR, flare type, 1/2" tube, 1/2"NPT male
	70919066	1	UNION, flare type, 1/2" tube
6	-----	1	TUBE, fuel supply (See FUEL LINES)
7	-----	-	COCK (See FUEL LINES)

(Continued)

SEVERE-SERVICE FUEL FILTER (Continued)

ITEM	PART NO.	QTY.	DESCRIPTION
8	70644713	4	CLIP, hose supporting
	70035244	1	CAPSCREW, 3/8"NC x 3/4"
	70036034	1	CAPSCREW, 3/8"NF x 1"
	70911115	2	WASHER, plain, SAE std., 3/8"
	70904206	2	LOCKWASHER, 3/8"
	70911041	1	NUT, 3/8"NF
9	70632122	1	BRACKET, hose supporting
10	70035248	1	CAPSCREW, 5/8"NF x 2-1/4"
	70064810	1	WASHER, plain
	70904209	1	LOCKWASHER, 5/8"
	70911044	1	NUT, 5/8"NF



FUEL FILTER

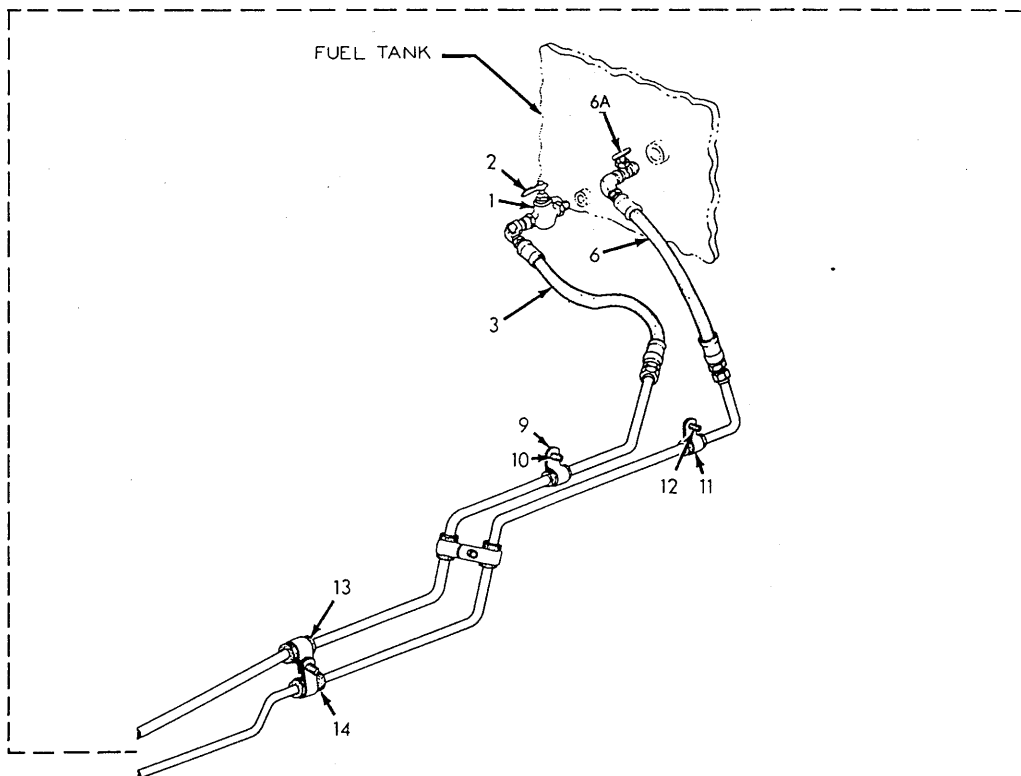
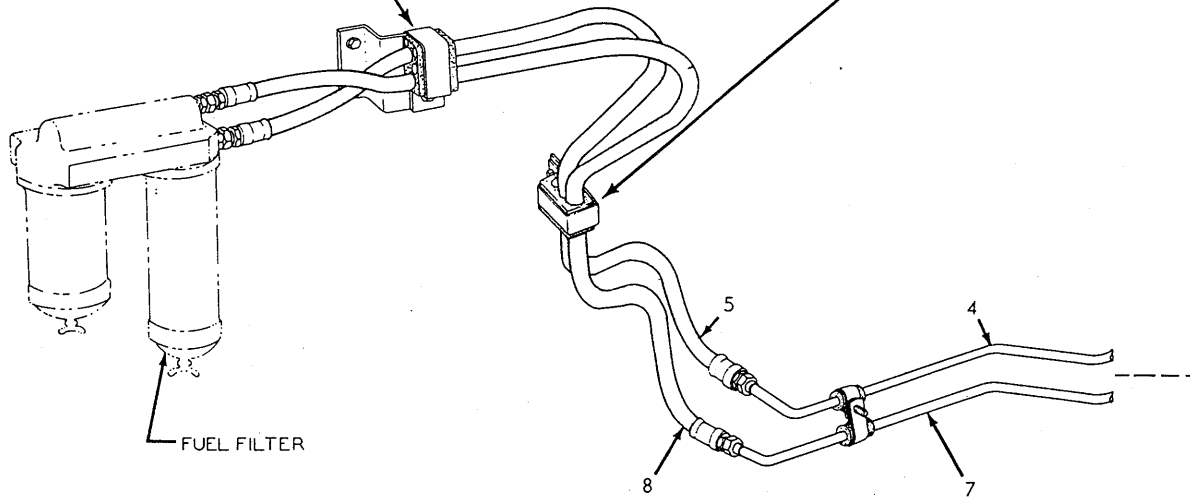
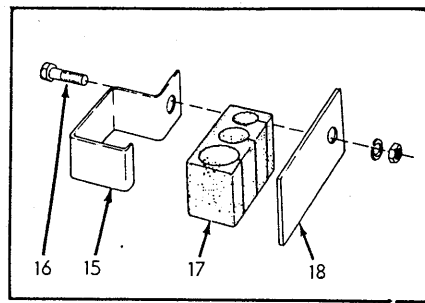
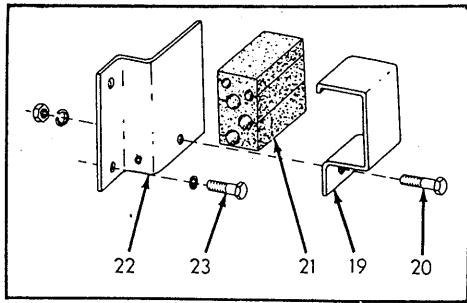
T-39334

ITEM	PART NO.	QTY.	DESCRIPTION
1	74051483	2	NUT, shell retaining (1-3/16" long)(Used prior to engine #21-06081)
	74389113	2	NUT, shell retaining (1-9/16" long)(Effective with engine #21-06081)
	70919288	2	CAPSCREW, 1/4"NC x 3/8"
	70914686	2	WASHER, copper
			} Air bleed
2	74051484	2	GASKET, shell retaining nut

(Continued)

FUEL FILTER (Continued)

ITEM	PART NO.	QTY.	DESCRIPTION
3	74389051	1	HEAD ASSEMBLY (Includes PLUGS indented below)(If for engines prior to #21-06081 also order 2 NUT 74389113 and 1 BUSHING 70901826)
	70919840	1	PLUG, pipe, hex-hd., 1/4"NPT (Used prior to engine #21-06081)
	70919134	2	PLUG, pipe, hex-hd., 1/8"NPT
	70920333	2	PLUG, pipe, hex-hd., 3/8"NPT (1 less used prior to engine #21-06081)
	70918887	2	PLUG, pipe, hex-socket, 3/8"NPT
	70916311	2	CAPSCREW, 1/2"NC x 1-1/4"
	70904208	2	LOCKWASHER, 1/2"
4	74051485	1	GUIDE, centering, first stage filter element
5	74055565	1	ELEMENT KIT, first stage filter (Includes item 6)(Not used when Severe-Service Filter is installed)
6	74040013	2	GASKET, filter shell
7	74389172	1	SHELL ASSEMBLY, first stage filter (Includes items 1, 2, 4, 5, 6 and COCK 70912415)
	70912415	1	COCK, drain, 1/4"NPT
8	74388109	1	SHELL ASSEMBLY, second stage filter (Includes items 1, 2, 6, 9 thru 14 and COCK 70912415)
	70912415	1	COCK, drain, 1/4"NPT
9	74052174	1	SPRING, second stage filter
10	-----	1	WASHER, element plate gasket (Not serviced separately)
11	-----	1	GASKET, element plate (Not serviced separately)
12	74052173	1	PLATE, element seating, second stage filter
13	74056632	1	ELEMENT KIT, second stage filter (Includes items 6, 10, and 11)
14	74055913	1	GUIDE, element centering, second stage filter
15	74386771	1	HOSE ASSEMBLY, transfer pump to second stage filter (See HOSE PARTS)
	70919062	1	CONNECTOR, flare type, 3/8" tube, 1/4"NPT male (1 additional used on filter end on engines prior to #21-06081)
	70919172	1	CONNECTOR, flare type, 3/8" tube, 3/8"NPT male (At filter end. Effective with engine #21-06081)
16	74386772	1	HOSE ASSEMBLY, first stage filter to transfer pump (See HOSE PARTS)
	70919205	1	CONNECTOR, flare type, 1/2" tube, 1/4"NPT male
	70919063	1	CONNECTOR, flare type, 1/2" tube, 3/8"NPT male
17	74386774	1	HOSE ASSEMBLY, second stage filter to injection pump (See HOSE PARTS)
	70919063	2	CONNECTOR, flare type, 1/2" tube, 3/8"NPT male
18	74387129	1	BRACKET, hose supporting
	70910244	4	WASHER, plain, SAE std., 1/2"
19	74377253	2	INSERT, hose clamping (rubber)
20	74387196	1	CLAMP, hose supporting
	70916286	2	CAPSCREW, 1/4"NC x 1-1/2"
	70904204	2	LOCKWASHER, 1/4"
21	-----	-	TRANSFER (See PAINTING AND MARKING)



FUEL LINES (First type)

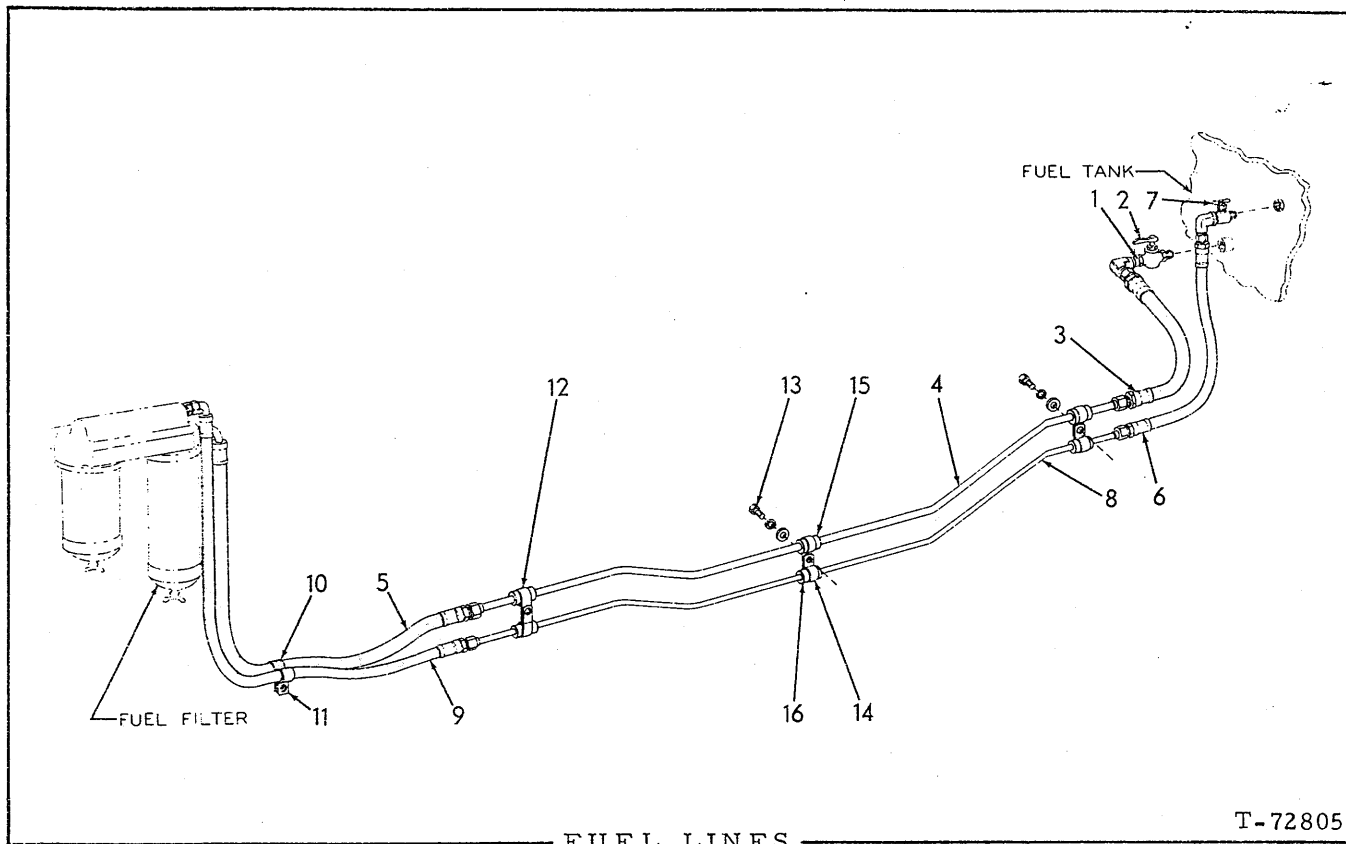
T-40514

FUEL LINES

USAGE: Tractors prior to serial # 14537, excluding #14496, 14507, 14509, 14511, 14513
14522, 14523, 14524 and 14525

ITEM	PART NO.	QTY.	DESCRIPTION
1	70092727	1	COCK, fuel shut-off (Includes item 2)
2	70082189	1	HANDLE, fuel shut-off cock
3	70646158	1	HOSE, fuel supply, rear (See HOSE PARTS)(Not used with severe-service fuel filter)
	70919206	1	ELBOW, flare type, 1/2" tube, 3/8"NPT male
4	70630253	1	TUBE ASSEMBLY, fuel supply (Includes nuts)(Effective with tractor #13632)
	70644468	1	TUBE ASSEMBLY, fuel supply (Includes nuts)(Effective with tractor #13632)
5	70645078	1	HOSE, fuel supply, front (See HOSE PARTS)
	70919063	1	CONNECTOR, flare type, 1/2" tube, 3/8"NPT male
6	70645079	1	HOSE, fuel return, rear (See HOSE PARTS)(Tractors prior to #13889)
	70919062	1	CONNECTOR, flare type, 3/8" tube, 1/4"NPT male
	70648230	1	HOSE, fuel return, rear(See HOSE PARTS)(Tractors #13889 and up)
	70921852	1	ELBOW, flare type, 90°, 3/8" tube, 1/4"NPT female
6A	70914378	1	VALVE, shut-off, fuel return line (Tractors #13889 and up)
7	70630252	1	TUBE ASSEMBLY, fuel return (Includes nuts)(Used prior to tractor #13632)
	70644467	1	TUBE ASSEMBLY, fuel return (Includes nuts)(Effective with tractor #13632)
8	70645077	1	HOSE, fuel return, front (See HOSE PARTS)
	70919062	1	CONNECTOR, flare type, 3/8" tube, 1/4"NPT male
9	70097534	4	CLIP, fuel supply tube
10	70035244	4	CAPSCREW, 3/8"NC x 3/4"
	70904206	4	LOCKWASHER, 3/8"
	70911115	4	WASHER, plain, SAE std., 3/8"
11	70055234	4	CLIP, fuel return tube
12	70035244	1	CAPSCREW, 3/8"NC x 3/4"
	70904206	1	LOCKWASHER, 3/8"
	70911115	1	WASHER, plain, SAE std., 3/8"
13	70093752	4	BOOT, tube protecting (1/2" tube)
14	70093751	4	BOOT, tube protecting (3/8" tube)
15	70094964	1	CLAMP, hose attaching (Used prior to tractor #13738)
	70644529	1	CLAMP, hose attaching (Effective with tractor #13738)
16	70036034	1	CAPSCREW, 3/8"NF x 1"
	70904206	1	LOCKWASHER, 3/8"
	70911041	1	NUT, 3/8"NF
17	70096354	1	BLOCK, hose clamp (rubber)(Used prior to tractor #13738)
	70644531	1	BLOCK, hose clamp (rubber)(Effective with tractor #13738)
18	70641562	1	STRAP, hose clamping (Effective with tractor #13738)
19	70095980	1	CLAMP, hose attaching
20	70036034	1	CAPSCREW, 3/8"NF x 1"
	70904206	1	LOCKWASHER, 3/8"
	70911041	1	NUT, 3/8"NF
21	70096328	1	BLOCK, hose clamp (rubber)(Used prior to tractor #13738)
	70644530	1	BLOCK, hose clamp (rubber)(Effective with tractor #13738)
22	70096310	1	BRACKET, hose supporting
23	70035244	2	CAPSCREW, 3/8"NC x 3/4"
	70904206	2	LOCKWASHER, 3/8"

(Revised August 1979)



USAGE: Tractors serial #14537 and up including #14496, 14507, 14509, 14511, 14513, 14522, 14523, 14524 and 14525

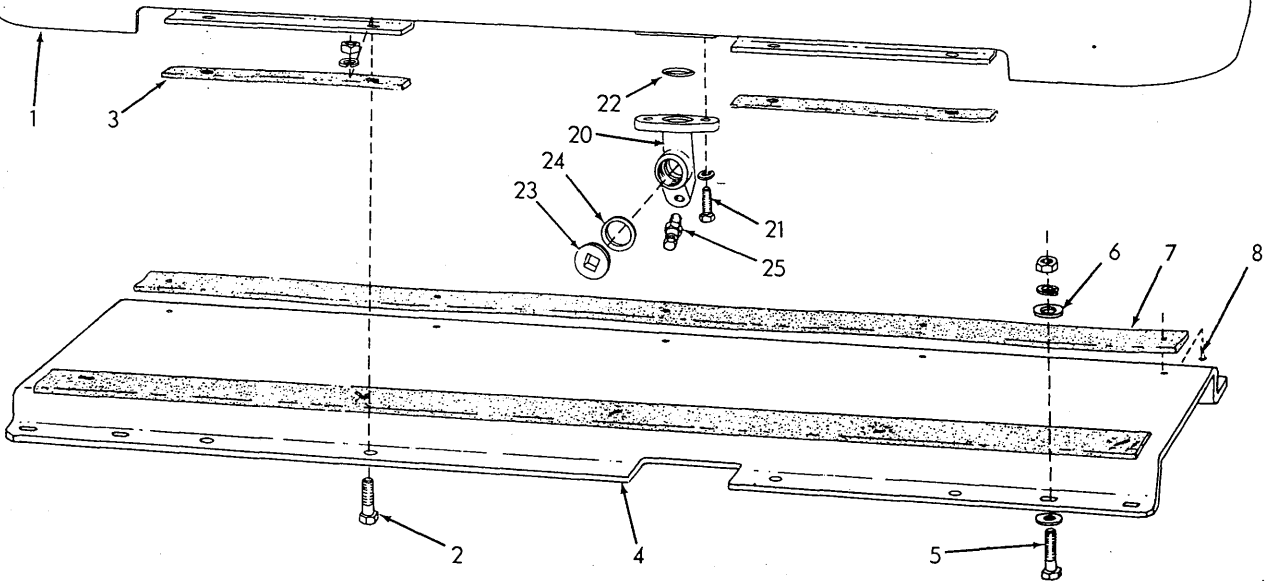
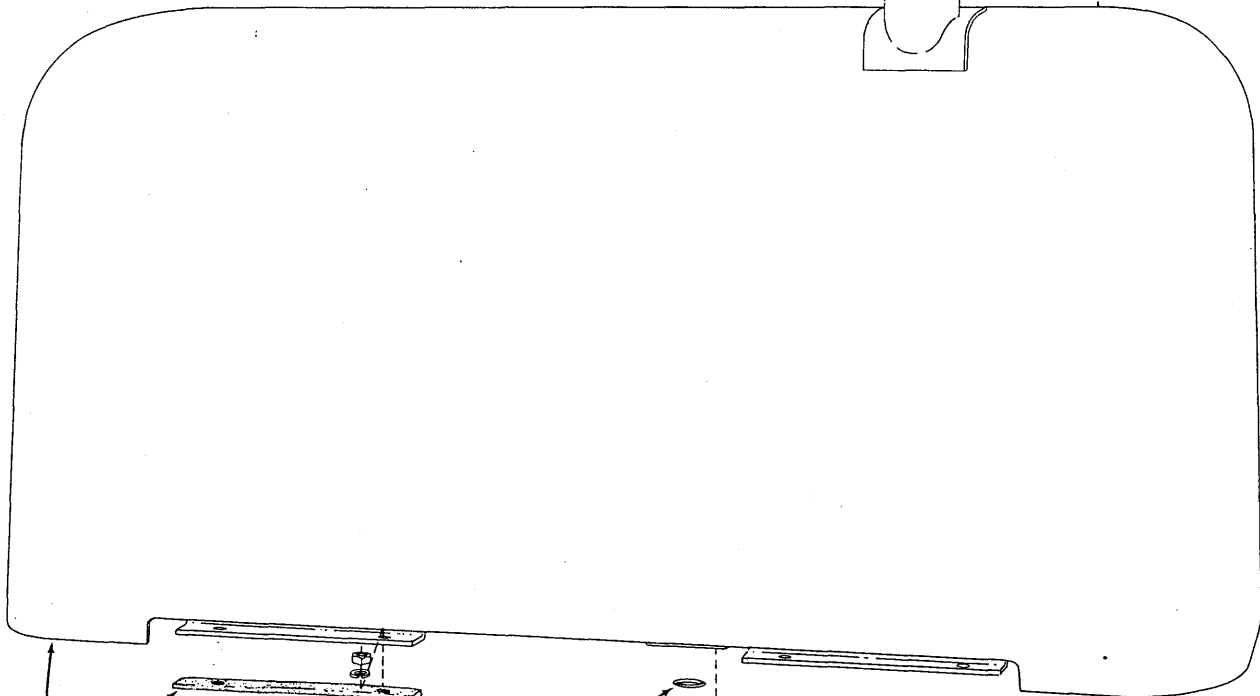
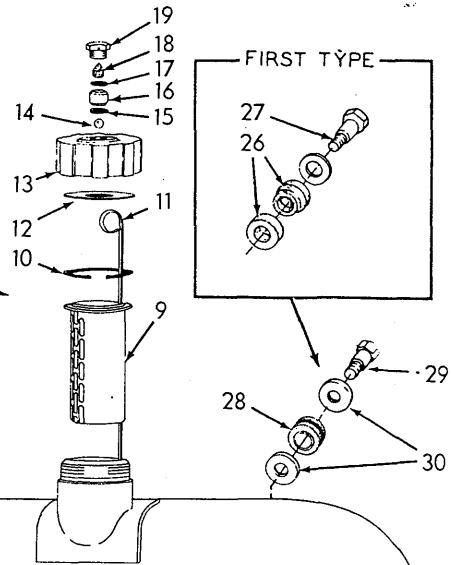
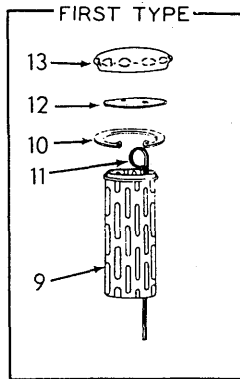
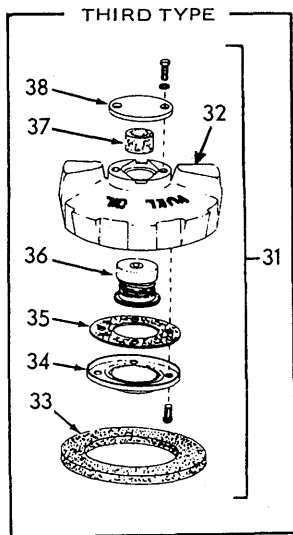
ITEM	PART NO.	QTY.	DESCRIPTION
1	70092727	1	COCK, fuel shut-off (Includes item 2)
2	70082189	1	HANDLE, fuel shut-off cock
3	70650967	1	HOSE, fuel supply, rear (See HOSE PARTS)(Not used with severe-service fuel filter)
	70919206	1	ELBOW, flare type, 1/2" tube, 3/8"NPT male
4	70652005	1	TUBE ASSEMBLY, fuel supply (Includes nuts)
5	70652026	1	HOSE, fuel supply, front (See HOSE PARTS)
	70919063	1	CONNECTOR, flare type, 1/2" tube, 3/8"NPT male
6	70651999	1	HOSE, fuel return, rear (See HOSE PARTS)
	70921852	1	ELBOW, flare type, 90°, 3/8" tube, 1/4"NPT female
7	70914378	1	VALVE, shut-off, fuel return line
8	70652004	1	TUBE ASSEMBLY, fuel return (Includes nuts)
9	70652025	1	HOSE, fuel return, front (See HOSE PARTS)
	70919062	1	CONNECTOR, flare type, 3/8" tube, 1/4"NPT male
10	70622992	1	CLIP, front fuel supply hose
11	70094467	1	CLIP, front fuel return hose
12	70097534	3	CLIP, fuel supply tube
13	70035244	2	CAPSCREW, 3/8"NC x 3/4"
	70904206	2	LOCKWASHER, 3/8"
	70911115	2	WASHER, plain, SAE std., 3/8"
14	70055234	3	CLIP, fuel return tube
15	70093752	3	BOOT, tube protecting (1/2" tube)
16	70093751	3	BOOT, tube protecting (3/8" tube)

FUEL TANK

* Tractors prior to serial # 13983
 ** Tractors serial #13983 thru #14801
 *** Tractors serial #14802 and up

ITEM	PART NO.	QUANTITY			DESCRIPTION	
		*	**	***		
1	-----	1	-	-	TANK, fuel	} Order 1 each TANK 70654834, CAP ASSY 70668252, GASKET 70655416, RING 70654840 and STRAINER 70650509
	-----	-	1	-	TANK, fuel	
	70654834	-	-	1	TANK, fuel	
2	70035014	8	8	8	CAPSCREW, 5/8"NF x 1-1/2"	
	70904209	8	8	8	LOCKWASHER, 5/8"	
	70911044	8	8	8	NUT, 5/8"NF	
3	70083917	4	4	4	PAD, tank mounting	
4	70632272	1	1	1	CHANNEL ASSEMBLY, tank supporting (Includes items 7 and 8)	
5	70035248	8	8	-	CAPSCREW, 5/8"NF x 2-1/4" (Early units)	
	70023755	-	8	8	CAPSCREW, 5/8"NC x 2-1/4" (Late units)	
6	70064810	16	16	16	WASHER, plain	
	70904209	8	8	8	LOCKWASHER, 5/8"	
	70911044	8	8	-	NUT, 5/8"NF (Early units)	} Not used with heavy-duty fenders
	70911029	-	8	8	NUT, 5/8"NC (Late units)	
7	70083918	2	2	2	PAD, tank mounting	
8	70083915	8	8	8	RIVET, split, 3/16" x 3/4" (Not original equipment)	
9	70642749	-	1	-	STRAINER, fuel	
	70650509	-	-	1	STRAINER, fuel	
10	70621775	-	1	-	RING, snap, fuel strainer	
	70654840	-	-	1	RING, snap, fuel strainer	
11	70053100	1	-	-	GAUGE, fuel level	
	70648992	-	1	1	GAUGE, fuel level	
12	70065613	1	1	-	GASKET, fuel tank cap	
	70655416	-	-	1	GASKET, fuel tank cap	
13	70642744	1	1	-	CAP, fuel tank	
	70652567	-	-	1	CAP ASSEMBLY, fuel tank (Includes items 14 thru 19) (Order item 31)	
14	70652586	-	-	1	BALL, check (aluminum)	
15	70652587	-	-	1	WASHER, check ball	
16	70652588	-	-	1	SPACER, breather	} First Type Filter used prior to tractor #15058. Order items 18A and 18B
17	70652589	-	-	1	SCREEN, breather	
18	70643183	-	-	1	FILTER, breather	
18A	70664867	-	-	1	ELEMENT, breather (lower)	} Second Type Filter. Eff. with tractor #15058
18B	70664868	-	-	1	ELEMENT, breather (upper)	
19	70652590	-	-	1	BREATHER, fuel tank (Used prior to tractor #15058)	

(Continued)



FUEL TANK

T-40516

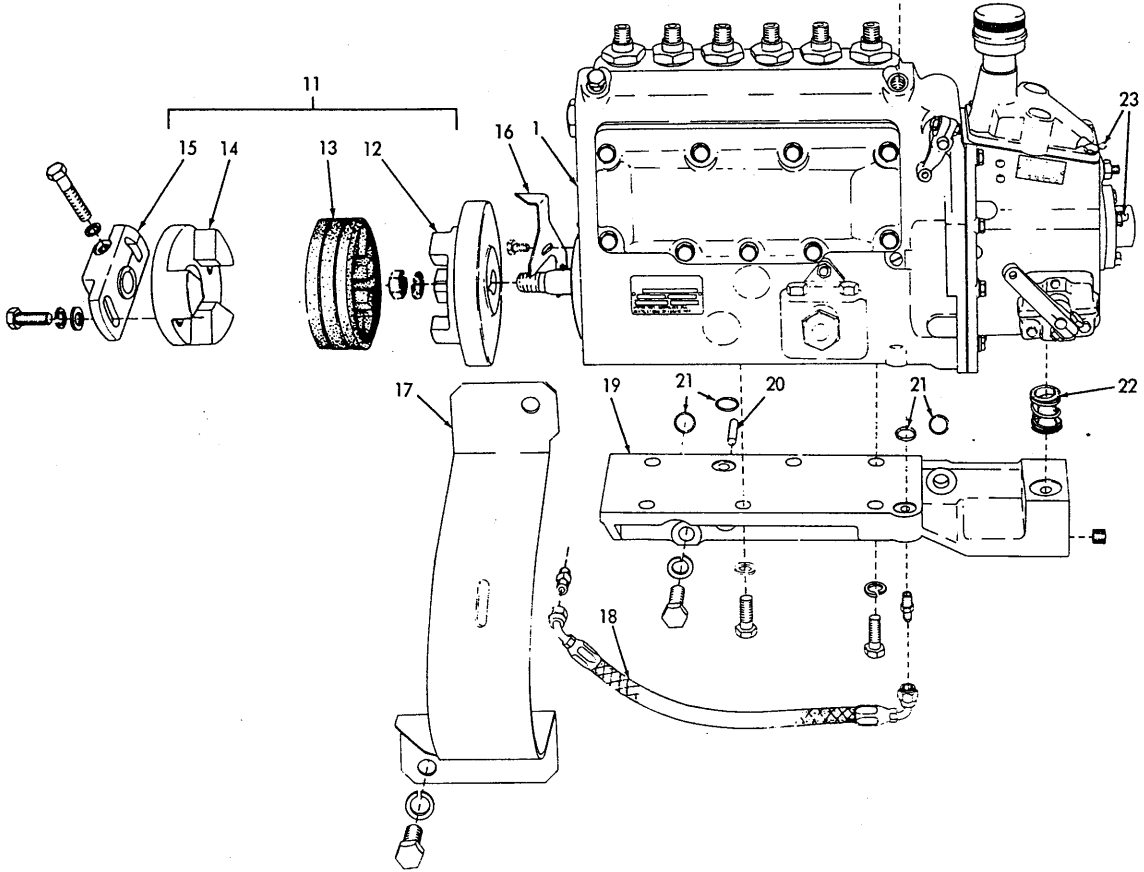
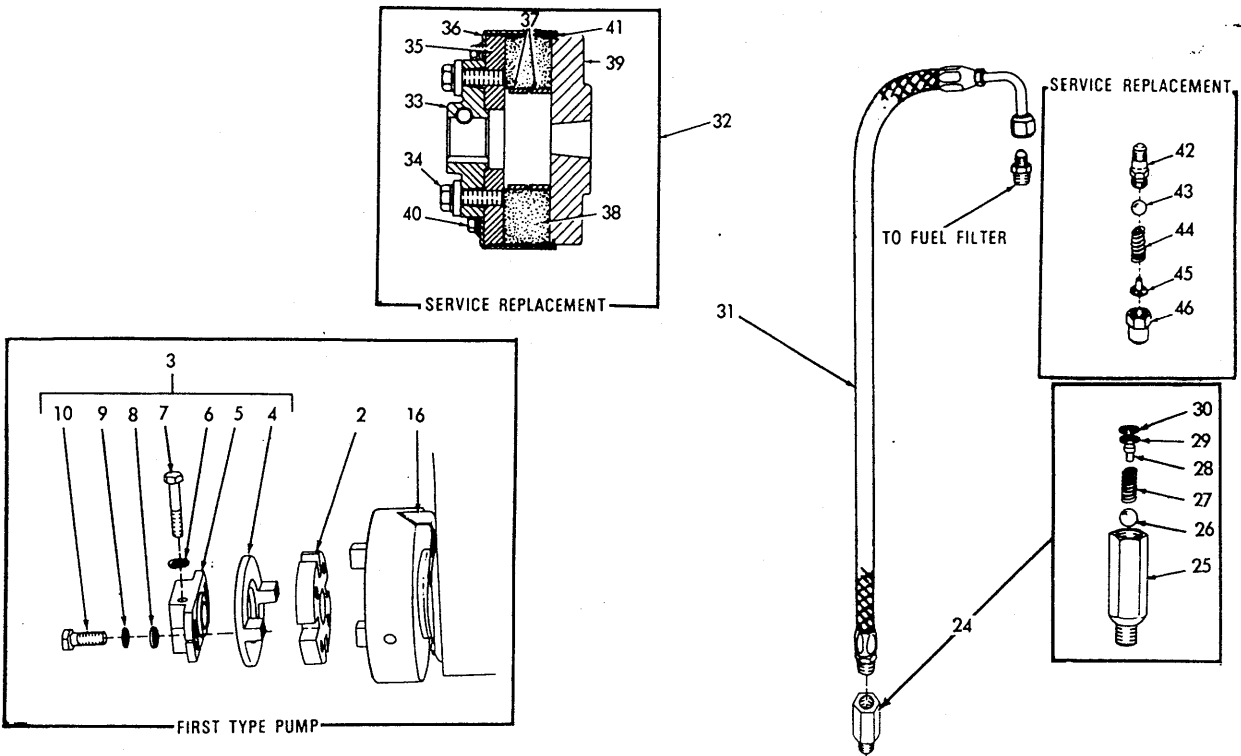
(Revised August 1979)

FUEL TANK (Continued)

ITEM	PART NO.	QUANTITY			DESCRIPTION
		*	**	***	
20	70083955	1	1	1	ELBOW, fuel tank drain
21	70070469	2	2	2	CAPSCREW, 1/2"NF x 1-1/4"
	70904208	2	2	2	LOCKWASHER, 1/2"
22	70923813	1	1	1	O-RING, fuel tank drain elbow
23	70050594	1	1	1	PLUG, drain elbow clean-out
24	70050595	1	1	1	GASKET, drain elbow clean-out plug
25	70633519	1	1	1	COCK, drain
26	-----	8	-	-	SNUBBER, vibration (Order items 28 thru 30) (Used prior to tractor #13043)
27	70639699	4	-	-	CAPSCREW, vibration snubber (Used prior to tractor #13043)
	70900819	4	-	-	WASHER, plain, U. S. std., 5/8" (Used prior to tractor #13043)
28	70642441	4	4	4	SNUBBER, vibration (Effective with tractor #13043)
29	70035068	4	4	4	CAPSCREW, 1/2"NF x 2-1/4"
30	70092163	8	8	8	WASHER, plain

NOTE: Items listed below comprise the late type filler cap used as service replacement on tractors serial No. 14802 and up.

31	70668252	-	-	1	CAP ASSY., fuel tank (Consists of items 32 thru 38)
32	-----	-	-	1	CAP (Not serviced separately)
33	70668263	-	-	1	GASKET, cap
34	70668806	-	-	1	SEAT, relief valve
	70926699	-	-	4	SCREW, fil.-hd., brass, #10-24NC x 3/8"
35	70668804	-	-	1	GASKET, valve seat
36	70668805	-	-	1	VALVE ASSY., relief (Serviced only as a unit)
37	70664867	-	-	1	ELEMENT, air filter
38	70668262	-	-	1	COVER, tank cap



FUEL INJECTION PUMP

T-37181

FUEL INJECTION PUMP

* 21000H engine
 ** 21000-Mark II engine

ITEM	PART NO.	QTY.		DESCRIPTION
		*	**	
1	74389469	1	-	PUMP ASSEMBLY, injection (Includes items 2, 3 and 16)
	74390709	-	1	PUMP ASSEMBLY, injection (Includes items 11 and 16)
	70919228	4	4	CAPSCREW, 7/16"NC x 1-1/8"
	70918801	2	2	CAPSCREW, 7/16"NC x 1-5/8"
	70904207	6	6	LOCKWASHER, 7/16"
2	74379813	1	-	DISC, injection pump coupling
3	74371714	1	-	COUPLING ASSEMBLY, injection pump drive (Consists of items 4 thru 10)
4	74371716	1	-	FLANGE, injection pump drive coupling
5	74371715	1	-	HUB, injection pump drive coupling
	70905845	1	-	KEY, #A woodruff, 1/4" x 7/8"
6	74371720	1	-	LOCKWASHER, hub clamping screw
7	74371719	1	-	SCREW, clamping, coupling hub
8	74371718	2	-	WASHER, serrated, coupling capscrew
9	74371721	2	-	LOCKWASHER, hub clamping screw
10	74371717	2	-	CAPSCREW, injection pump drive coupling
11	74390054	-	1	COUPLING ASSEMBLY, pump drive (Consists of items 12 thru 15) (Order item 32)
12	74059012	-	1	HUB, coupling
13	74059013	-	1	SPIDER, coupling (rubber)
14	74059014	-	1	FLANGE, coupling
15	74390055	-	1	CLAMP, coupling
	70916385	-	1	CAPSCREW, 3/8"NF x 2" (clamping)
	70916271	-	2	CAPSCREW, 3/8"NC x 1" (attaching)
	70904206	-	3	LOCKWASHER, 3/8"
	74059015	-	3	WASHER, plain
16	74379077	1	1	POINTER, timing
17	74379076	1	1	GUARD, pump flywheel
	70916310	1	1	CAPSCREW, 1/2"NC x 1"
	70904208	1	1	LOCKWASHER, 1/2"
18	74386773	1	1	HOSE ASSEMBLY, oil supply (See HOSE PARTS)
	70919778	1	1	CONNECTOR, flare type, 5/16" tube, 1/4"NPT male
	70919766	1	1	CONNECTOR, flare type, 5/16" tube, 1/8"NPT male

(Continued)

(Revised August 1979)

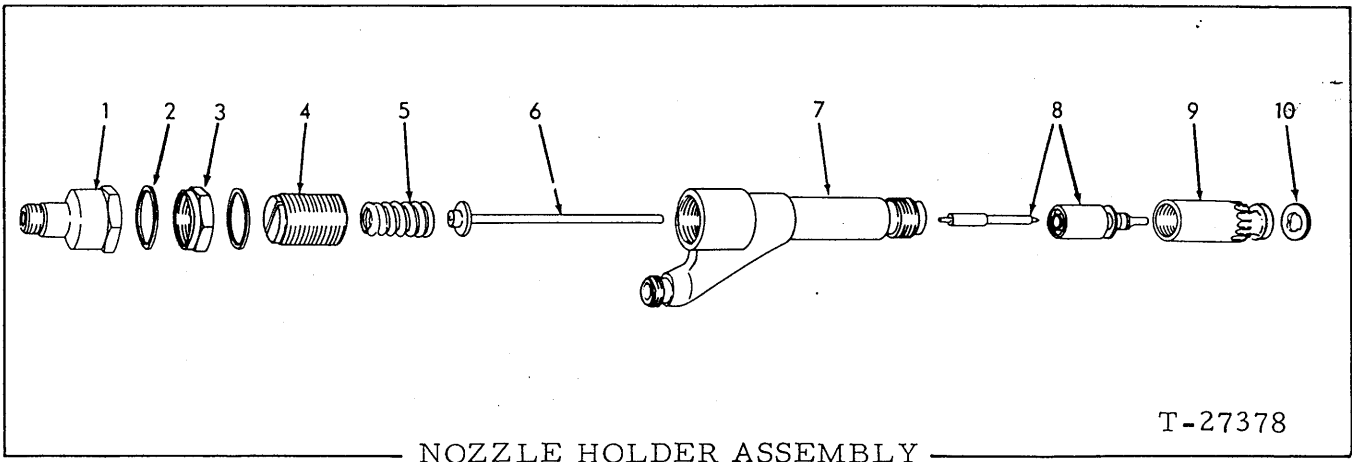
FUEL INJECTION PUMP (Continued)

ITEM	PART NO.	QTY.	DESCRIPTION
		* **	
19	74376529	1 1	BRACKET, pump mounting
	70918850	1 1	PLUG, pipe, hex-socket, 1/4"NPT
	70916311	4 4	CAPSCREW, 1/2"NC x 1-1/4"
	70904208	4 4	LOCKWASHER, 1/2"
20	74253286	2 2	PIN, dowel, mounting bracket
21	74255665	4 4	□O-RING, mounting bracket
22	74379038	1 1	COUPLING, oil drain, pump to bracket
23	74355843	3 3	SEAL, anti-tampering
24	74337015	1 1	VALVE ASSY. (Original equipment) pressure relief (Consists of items 25 thru 30)(Order 74395936)
	74395936	1 1	VALVE ASSY. (Service replacement) pressure relief (Consists of items 42 thru 46)
25	-----	1 1	BODY, relief valve (Not serviced separately)
26	74337022	1 1	BALL, relief valve
27	74337023	1 1	SPRING, relief valve
28	74337019	1 1	STOP, relief valve
29	74255017	1 1	E-RING, relief valve stop
30	74255020	1 1	RING, snap, relief valve
31	74386770	1 1	HOSE ASSY., fuel return (See HOSE PARTS)
	70919062	1 1	CONNECTOR, flare type, 3/8" tube, 1/4"NPT male
32	74394009	- 1	COUPLING (Includes items 3 thru 11)(Service replacement)
33	74394318	- 1	CLAMP
	70927322	- 1	CAPSCREW, 3/8"NF x 2" } Clamping
	70910287	- 1	LOCKWASHER, 3/8" }
34	70921076	- 2	CAPSCREW, 3/8"NC x 1-1/4"
	70677006	- 2	WASHER
35	74060643	- 1	FLANGE
36	74061040	- 1	COVER
37	74060645	- 2	INSERT
38	74060646	- 6	SPIDER (rubber)
39	74061041	- 1	HUB
40	70915343	- 3	CAPSCREW, 1/4"NC x 5/8"
	70904204	- 3	LOCKWASHER, 1/4"
	70911114	- 3	WASHER
41	74061042	- 1	SHIELD
42	-----	- 1	BODY (Not serviced separately)
43	74337022	- 1	BALL
44	74337023	- 1	SPRING
45	74395855	- 1	STOP
46	74395935	- 1	NUT

MEMO

68A

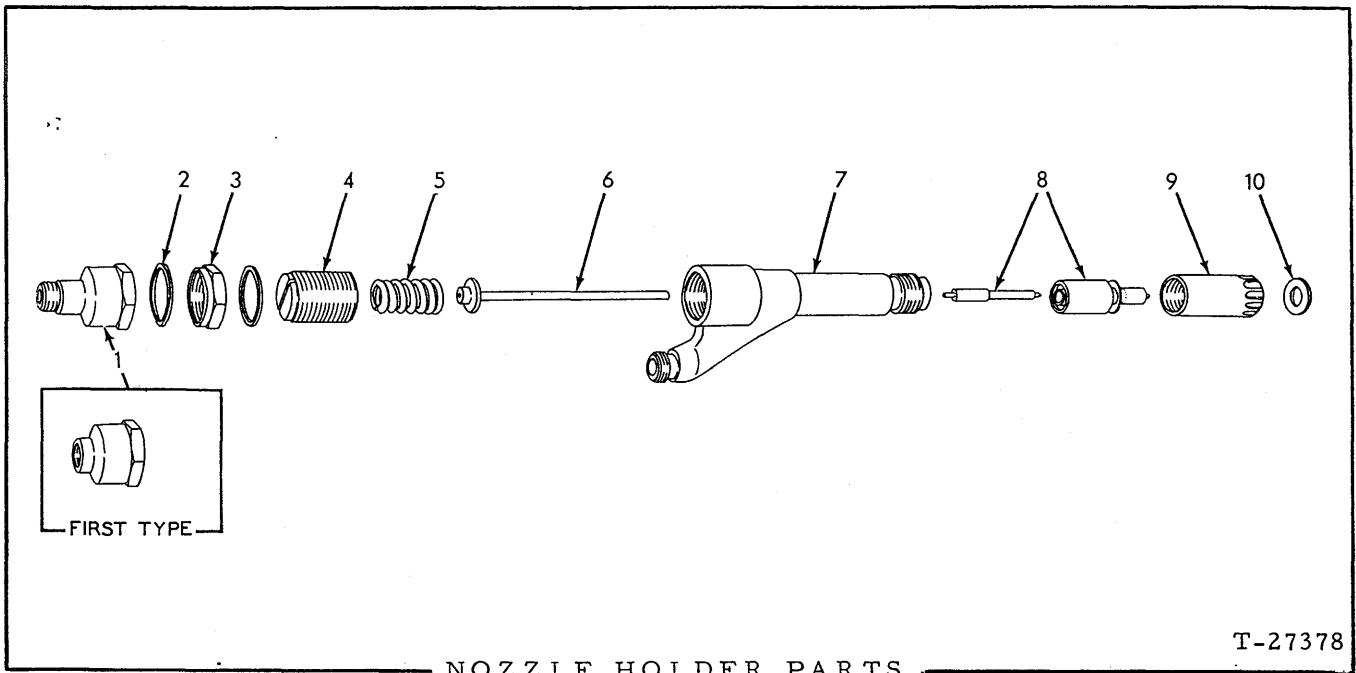
(Added August 1979)



NOZZLE HOLDER ASSEMBLY

USAGE: Service replacement.

ITEM	PART NO.	QTY.	DESCRIPTION
<u>NOTE:</u> Quantities are for one (1) Holder Assy. only.			
-	74392121	1	HOLDER ASSY. (Not serviced. Order Holder Assy. 74062107 and item 8)
-	74062107	1	HOLDER ASSY. (Includes items 1 thru 7 and 9)
1	74396054	1	CAP
2	74511243	2	GASKET
3	74517266	1	NUT, locking
4	74378033	1	SCREW
5	74380652	1	SPRING
6	74391240	1	SPINDLE
7	-----	1	BODY (Not serviced separately)
8	-----	1	NOZZLE ASSY. (Long-sac type)(Remove insert 74392576 and use Nozzle 74390006)
	74390006	1	NOZZLE ASSY. (Short-sac type)(Includes item 10)
9	74392057	1	NUT
10	74378031	1	□GASKET



NOZZLE HOLDER PARTS

T-27378

USAGE: Original equipment

*74390625 HOLDER ASSEMBLY } See page 71
 **74390715 HOLDER ASSEMBLY }

ITEM	PART NO.	QTY.		DESCRIPTION
		*	**	

NOTE: Quantities are for one (1) Holder Assembly only

1	74378032	1	-	CAP (Engines prior to #21-07463)	
	74021227	1	1	CAP (Engines #21-07463 and up)	
2	74511243	2	2	GASKET, cap nut	
3	74511213	1	1	NUT, locking	
4	74378033	1	1	SCREW, adjusting	
5	74380652	1	1	SPRING	
6	74391240	1	1	SPINDLE	
7	-----	1	1	BODY (Not serviced separately)	
8	74386837	1	-	NOZZLE ASSEMBLY	Each includes item 10
	74390006	-	1	NOZZLE ASSEMBLY	
9	74390619	1	1	NUT, nozzle retaining	
10	74378031	1	1	GASKET, nozzle	

INJECTION NOZZLES AND LINES

* 21000H Engine
 ** 21000-Mark II Engine

ITEM	PART NO.	QTY. * **	DESCRIPTION	
1	74390625	6	- HOLDER ASSEMBLY, nozzle	} See pages 68B and 69 for parts
	74390715	- 6	HOLDER ASSEMBLY, nozzle (Order Nozzle Holder Assy. 74392121)	
2	74387385	6	6 CLAMP, nozzle holder	
	74115287	6	6 NUT, 3/8"NF	
3	74020145	6	6 WASHER, nozzle holder clamp	
4	74386434	2	- TUBE ASSEMBLY, fuel injection, internal	} #1 and #4 cylinders. Each includes nuts.
	74390093	- 2	TUBE ASSEMBLY, fuel injection, internal	
5	74386435	2	- TUBE ASSEMBLY, fuel injection, internal	} #2 and #5 cylinders. Each includes nuts.
	74390094	- 2	TUBE ASSEMBLY, fuel injection, internal	
6	74386436	2	- TUBE ASSEMBLY, fuel injection, internal	} #3 and #6 cylinders. Each includes nuts.
	74390095	- 2	TUBE ASSEMBLY, fuel injection, internal	
7	74386601	6	6 CONNECTOR, injection line	
	70919303	6	6 NUT, jam, 9/16"NF	
	70914659	6	6 WASHER, plain, SAE std., 9/16"	
8	70923645	6	6 O-RING, injection line connector	
9	74386602	2	2 CONNECTOR, fuel return line	
10	70923645	2	2 O-RING, return line connector	
11	74377267	2	2 NUT, return line connector (1/2" - 24)	
	70914659	2	2 WASHER, plain, SAE std., 9/16"	
12	74386433	2	2 MANIFOLD ASSEMBLY, fuel return (Includes NUTS and SLEEVES indented below)	
	70917809	8	8 NUT, Imperial, 1/4" tube	
	74255956	8	8 SLEEVE, Imperial, 1/4" tube (rubber)	
	70919800	6	- CONNECTOR, Imperial, 1/4" tube, 1/8"NPT male (Engines prior to #21-07463)	
13	74255179	2	2 CLIP, manifold supporting	
14	74386546	1	- TUBE ASSEMBLY, fuel injection, external	} #1 cylinder. Each includes nuts.
	74390085	- 1	TUBE ASSEMBLY, fuel injection, external	
15	74386547	1	- TUBE ASSEMBLY, fuel injection, external	} #2 cylinder, Each includes nuts.
	74390086	- 1	TUBE ASSEMBLY, fuel injection, external	
16	74387647	1	- TUBE ASSEMBLY, fuel injection, external	} #3 cylinder. Each includes nuts.
	74390087	- 1	TUBE ASSEMBLY, fuel injection, external	
17	74386549	1	- TUBE ASSEMBLY, fuel injection, external	} #4 cylinder. Each includes nuts.
	74390088	- 1	TUBE ASSEMBLY, fuel injection, external	

(Continued)

(Revised August 1979)

INJECTION NOZZLES AND LINES (Continued)

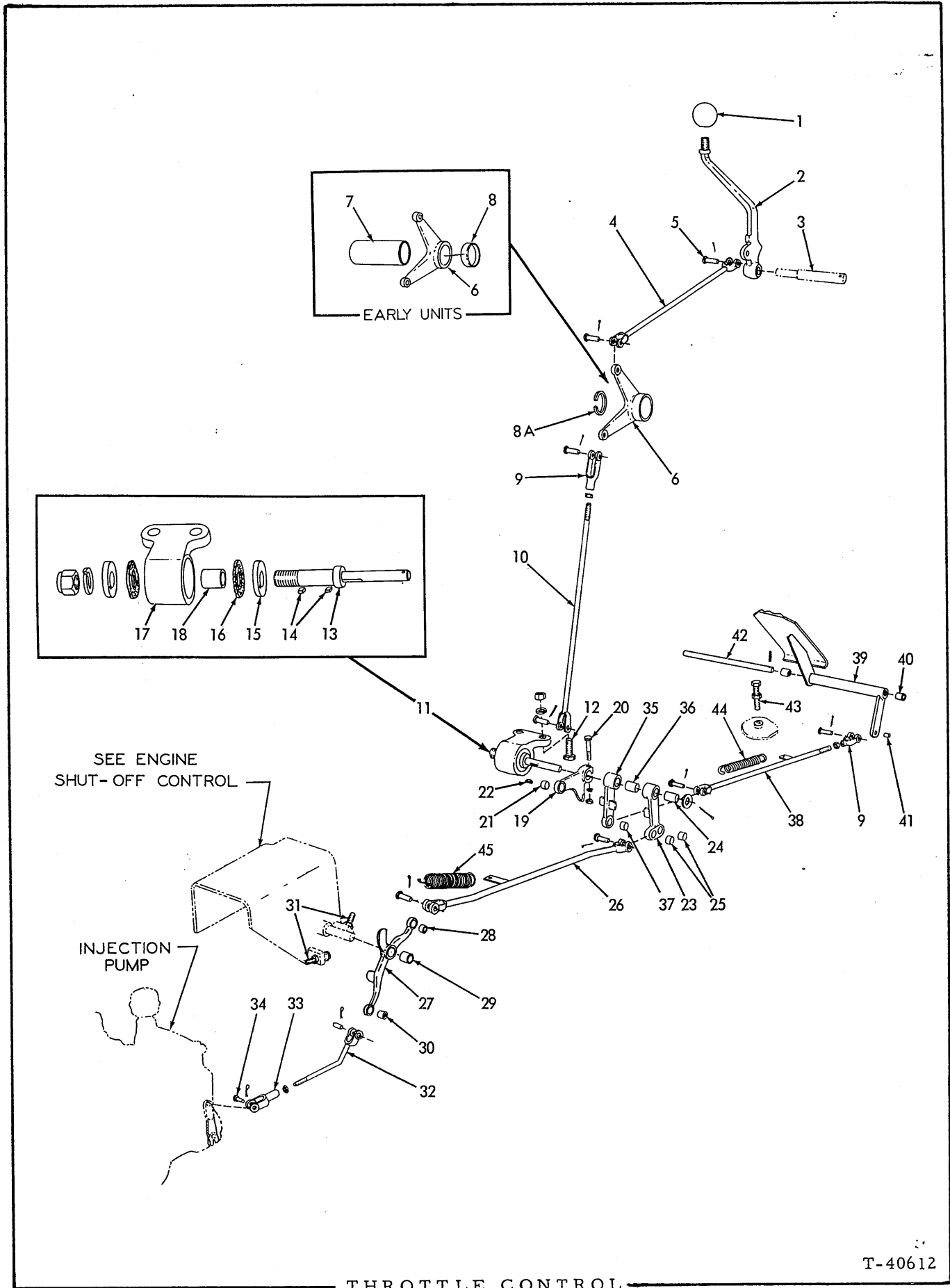
ITEM	PART NO.	QTY.		DESCRIPTION	
		*	**		
18	74386550	1	-	TUBE ASSEMBLY, fuel injection, external	} #5 cylinder. Each includes nuts.
	74390089	-	1	TUBE ASSEMBLY, fuel injection, external	
19	74386551	1	-	TUBE ASSEMBLY, fuel injection, external	} #6 cylinder. Each includes nuts.
	74390090	-	1	TUBE ASSEMBLY, fuel injection, external	
20	74387301	1	1	TUBE ASSEMBLY, fuel return (Includes NUTS and SLEEVES indented below)	
	70917809	2	2	NUT, Imperial, 1/4" tube	
	74255956	2	2	SLEEVE, Imperial, 1/4" tube (rubber)	
	70919797	1	1	TEE, Imperial, 1/4" tube	
	70920242	1	1	CONNECTOR, Imperial, 1/4" tube, 1/4"NPT male	
21	74376718	1	1	TUBE ASSEMBLY, fuel return, front	
	70917809	2	2	NUT, Imperial, 1/4" tube	
	74255956	2	2	SLEEVE, Imperial, 1/4" tube (rubber)	
22	74386617	1	1	CLIP, fuel return tube	
	70901171	1	1	SCREW, machine, #10-24NC x 3/8"	
	70904203	1	1	LOCKWASHER, #10	
	70901310	1	1	NUT, #10-24NC	
	70915408	1	1	CAPSCREW, 3/8"NC x 3/4"	
	70904206	1	1	LOCKWASHER, 3/8"	
	70911115	1	1	WASHER, plain, SAE std., 3/8"	
23	74379738	1	1	TUBE ASSEMBLY, fuel return, rear	
	70917809	2	2	NUT, Imperial, 1/4" tube	
	74255956	2	2	SLEEVE, Imperial, 1/4" tube (rubber)	
24	74388148	2	2	BRACKET, supporting, injection lines	
25	74507359	4	4	SPACER, injection lines (rubber)	
26	74507415	2	2	PLATE, clamping, rear injection lines	
	70918794	4	4	CAPSCREW, 1/4"NC x 1-3/8"	
	70904204	4	4	LOCKWASHER, 1/4"	
	70910880	4	4	NUT, 1/4"NC	
27	-----	-	-	STUD, nozzle holder clamp (See VALVE OPERATING MECHANISM)	

(Revised August 1979)

THROTTLE CONTROL

ITEM	PART NO.	QTY.	DESCRIPTION
1	70090020	1	KNOB, operating lever
2	70631975	1	LEVER, operating
3	-----	1	SHAFT, operating lever (See STEERING LEVERS AND LINKAGE)
4	70632059	1	ROD, upper
5	70078810	8	PIN, yoke, control rod
	70900942	8	PIN, cotter, 3/32" x 5/8"
6	70081094	1	BELLCRANK, upper rod
7	70096409	1	SPACER, bellcrank (4-3/16" long) (Tractors prior to #14259)
8	70081132	1	SPACER, bellcrank (5/16" thick) (Tractors prior to #14226)
8A	70052225	1	RING, snap, bellcrank retaining (Tractors #14259 and up)
9	70628736	2	YOKE, control rod
10	70631559	1	ROD, intermediate upper
	70911048	1	NUT, jam, 3/8"NF
11	70633152	1	FRICITION ASSEMBLY (Includes items 13 thru 18)
12	70614478	2	CAPSCREW, 1/2"NF x 1-3/8"
	70904208	2	LOCKWASHER, 1/2"
	70911043	2	NUT, 1/2"NF
	70910244	1	WASHER, plain, SAE std., 1/2"
	70900806	1	PIN, cotter, 1/8" x 1"
13	70631682	1	SHAFT, friction
	70904369	1	LOCKWASHER, 3/4"
	70916591	1	NUT, elastic stop, 3/4"NF
14	70632716	2	KEY, friction washer
15	70632710	2	WASHER, friction
16	70632747	2	DISC, friction
17	70632766	1	HOUSING ASSEMBLY, friction (Includes item 18)
18	70632752	1	BUSHING, friction housing
19	70631494	1	LEVER ASSEMBLY, friction shaft (Includes item 21)
20	70041981	1	CAPSCREW, 5/16"NF x 1-1/2"
	70904205	1	LOCKWASHER, 5/16"
	70913636	1	NUT, 5/16"NF
21	70624584	1	BUSHING, friction shaft lever
22	70632756	1	KEY, friction shaft lever
23	70631496	1	LEVER ASSEMBLY, intermediate lower rod (Includes items 24 and 25)
24	70631476	1	BUSHING, intermediate lower rod lever (large)
25	70624584	2	BUSHING, intermediate lower rod lever (small)
26	70631428	1	ROD, intermediate, lower

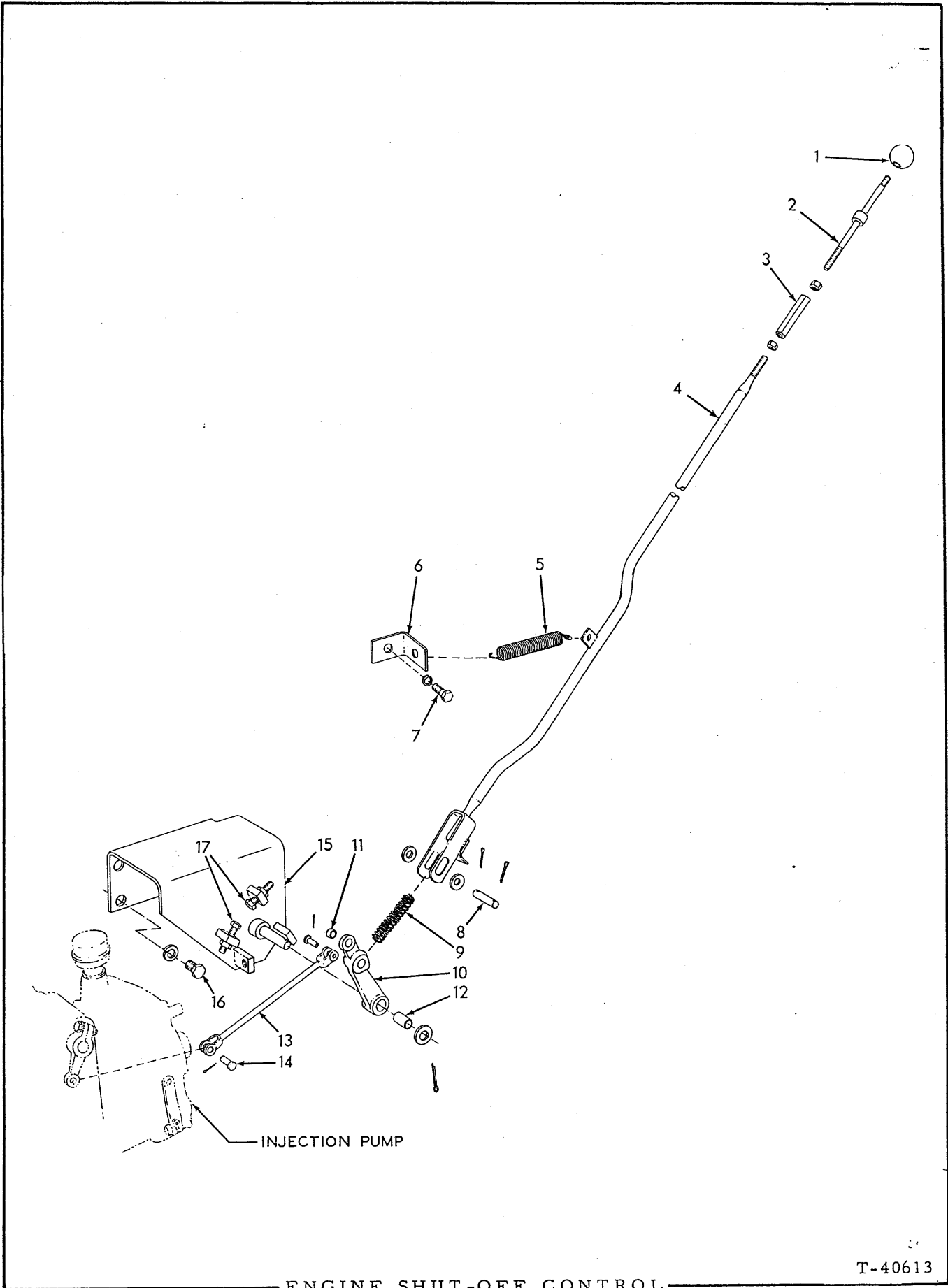
(Continued)



T-40612

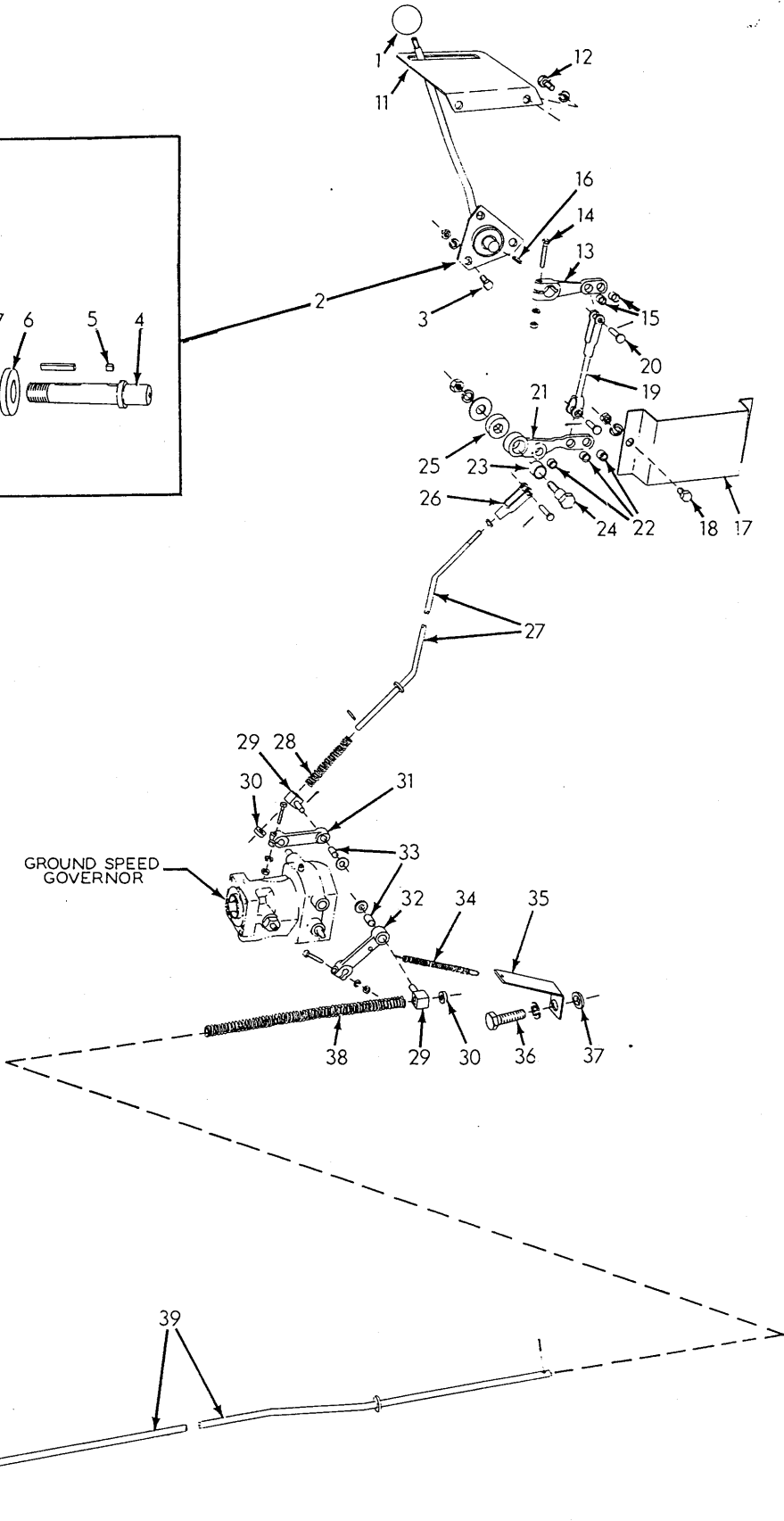
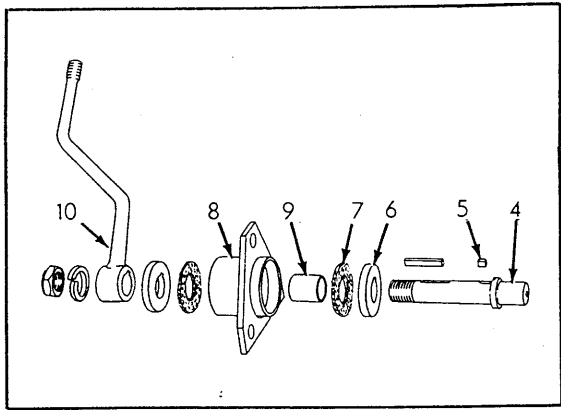
THROTTLE CONTROL (Continued)

ITEM	PART NO.	QTY.	DESCRIPTION
27	70642165	1	BELLCRANK ASSEMBLY, lower rod (Includes items 28, 29 and 30)
28	70624584	1	BUSHING, bellcrank (3/8" long)
29	70631476	1	BUSHING, bellcrank (7/8" long)
30	70624585	1	BUSHING, bellcrank (1/4" long)
31	70634650	2	CAPSCREW, lever stop (3/8"NC x 1-1/2")
	70911034	2	NUT, jam, 3/8"NC
32	70644633	1	ROD, lower
	70910267	1	NUT, jam, 1/4"NF
33	70628737	1	YOKE, lower rod
34	70628738	2	PIN, yoke, lower rod
	70900970	2	PIN, cotter, 1/16" x 1/2"
35	70631498	1	LEVER ASSEMBLY, decelerator rod (Includes items 36 and 37)
36	70631476	1	BUSHING, decelerator lever (large)
37	70624584	1	BUSHING, decelerator lever (small)
38	70631475	1	ROD, decelerator
	70911048	1	NUT, jam, 3/8"NF
39	70631488	1	PEDAL ASSEMBLY, decelerator (Includes items 40 and 41)
40	70063222	2	BUSHING, decelerator pedal (large)
41	70624584	1	BUSHING, decelerator pedal (small)
42	70630777	1	SHAFT, decelerator pedal
	70918111	1	PIN, spring, 1/8" x 1"
43	70089900	1	CAPSCREW, pedal stop (1/2"NF)(Used prior to October 1965)
	70913830	1	NUT, jam, 1/2"NF
	70648477	1	CAPSCREW, pedal stop (1/2"NC)(Effective October 1965)
	70911035	1	NUT, jam, 1/2"NC
44	70072438	1	SPRING, retracting, decelerator rod (For units with GROUND SPEED GOVERNOR only)
45	70043881	1	SPRING, retracting, intermediate rod (For units without GROUND SPEED GOVERNOR)



ENGINE SHUT-OFF CONTROL

ITEM	PART NO.	QTY.	DESCRIPTION
1	70659075	1	KNOB, shut-off rod
2	70631555	1	ROD, upper
	70919763	1	NUT, 3/8"NF (left-hand thread)
3	70095421	1	NUT, control adjustment
4	70650581	1	ROD, intermediate (Standard units)
	70631537	1	ROD, intermediate (Units with special GROUND SPEED GOVERNOR)
	70911048	1	NUT, jam, 3/8"NF
5	70072438	1	SPRING, retracting
6	70093976	1	ANGLE, retracting spring (Effective with tractor #14537, including #14496, 14507, 14509, 14511, 14522, 14523, 14524 and 14525)
7	70035244	1	CAPSCREW, 3/8"NC x 3/4"
	70904206	1	LOCKWASHER, 3/8"
8	70631477	1	PIN, yoke, intermediate rod
	70911115	2	WASHER, plain, SAE, std., 3/8"
	70900942	2	PIN, cotter, 3/32" x 5/8"
9	70630745	1	SPRING, intermediate rod (Units with GROUND SPEED GOVERNOR only)
10	70631492	1	LEVER ASSEMBLY, intermediate rod (Includes items 11 and 12)
11	70624585	1	BUSHING, intermediate rod lever (small)
12	70631476	1	BUSHING, intermediate rod lever (large)
13	70630311	1	ROD, lower
14	70628738	2	PIN, yoke, lower rod
	70900970	2	PIN, cotter, 1/16" x 1/2"
15	70631425	1	BRACKET, supporting, control linkage
	70910244	1	WASHER, plain, SAE std., 1/2"
	70900806	1	PIN, cotter, 1/8" x 1"
16	70097494	3	CAPSCREW, Nylok, 1/2"NC x 1"
	70904208	3	LOCKWASHER, 1/2"
17	70634650	2	CAPSCREW, lever stop (3/8"NC x 1-1/2")
	70911034	2	NUT, jam, 3/8"NC



GOVERNOR CONTROL LINKAGE

T-41785

GOVERNOR CONTROL LINKAGE

USAGE: For units with GROUND SPEED GOVERNOR only

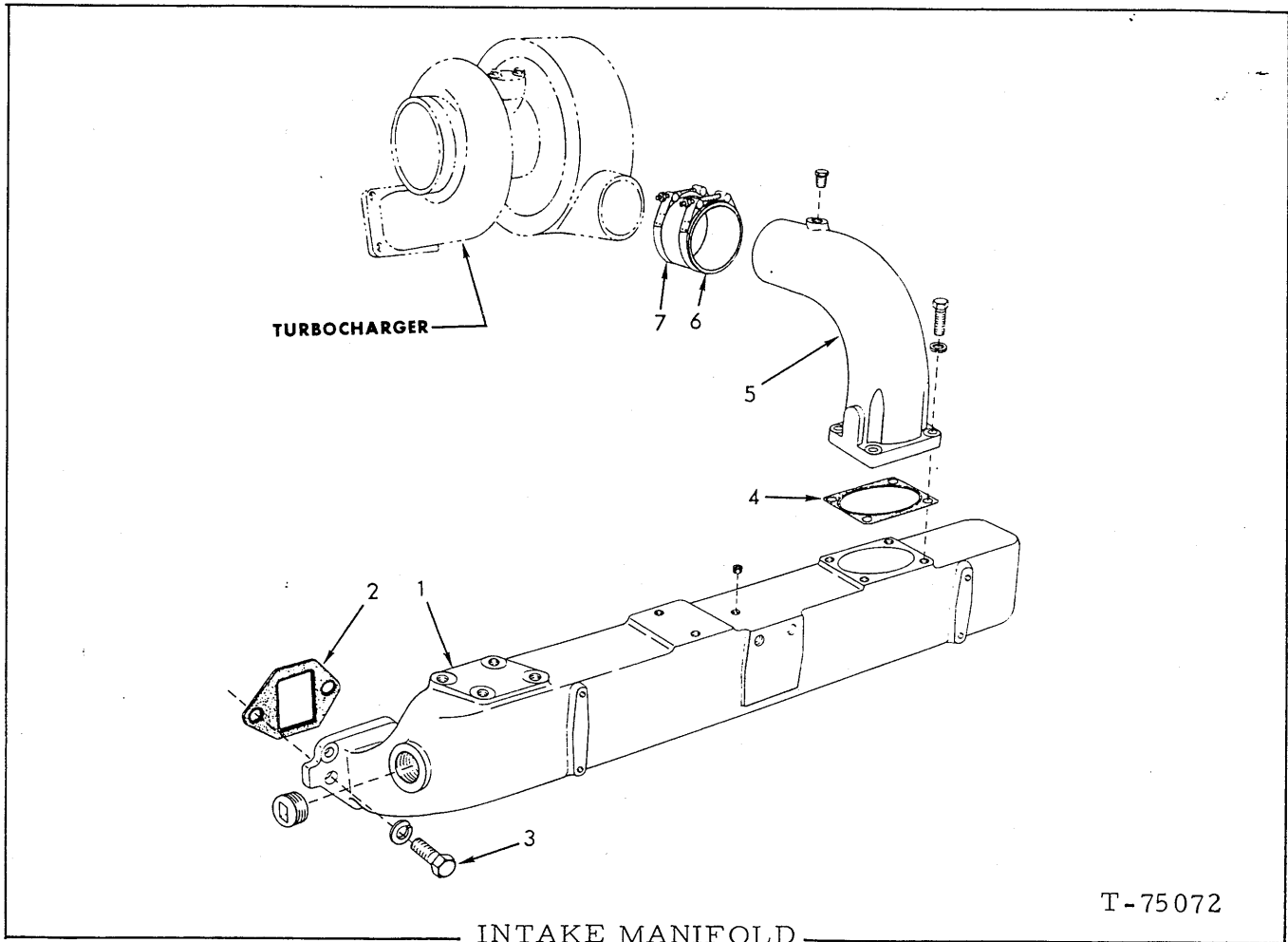
ITEM	PART NO.	QTY.	DESCRIPTION
1	70090020	1	KNOB, friction lever
2	70632178	1	FRICITION ASSEMBLY (Includes items 4 thru 10)
3	70035167	3	CAPSCREW, 3/8"NF x 7/8"
	70904206	3	LOCKWASHER, 3/8"
	70911041	3	NUT, 3/8"NF
4	70632162	1	SHAFT, friction
	70915569	1	KEY, straight, 3/16" x 3/16" x 1-1/8"
	70904369	1	LOCKWASHER, 3/4"
	70914452	1	NUT, elastic stop, 3/4"NF
5	70632716	1	KEY, friction washer
6	70632710	2	WASHER, friction
7	70632747	2	DISC, friction
8	70632771	1	HOUSING ASSEMBLY, friction (Includes item 9)
9	70632752	1	BUSHING, friction housing
10	70633216	1	LEVER, friction
11	70632177	1	GUIDE, friction lever
12	70916268	2	CAPSCREW, 3/8"NC x 5/8"
	70904206	2	LOCKWASHER, 3/8"
13	70640415	1	LEVER ASSEMBLY, upper rod (Includes item 15)
14	70041981	1	CAPSCREW, 5/16"NF x 1-1/2"
	70904205	1	LOCKWASHER, 5/16"
	70913636	1	NUT, 5/16"NF
15	70624584	2	BUSHING, upper rod lever
16	70632756	1	KEY, upper rod lever
17	70632175	1	SHIELD, protecting
18	70035979	2	CAPSCREW, 3/8"NF x 5/8"
	70904206	2	LOCKWASHER, 3/8"
	70911041	2	NUT, 3/8"NF
19	70640489	1	ROD, upper
20	70078810	4	PIN, control rod yoke
	70900942	4	PIN, cotter, 3/32" x 5/8"
21	70640378	1	LEVER ASSEMBLY, intermediate rod (Includes items 22 and 23)
22	70624584	3	BUSHING, intermediate rod lever (small)
23	70639785	1	BUSHING, intermediate rod lever (large)
24	70640367	1	CAPSCREW, pivot, intermediate rod lever
	70900818	1	WASHER, plain, U.S. std., 1/2"
	70904208	1	LOCKWASHER, 1/2"
	70911043	1	NUT, 1/2"NF
25	70091553	1	SPACER, intermediate rod lever

(Continued)

GOVERNOR CONTROL LINKAGE (Continued)

ITEM	PART NO.	QTY.	DESCRIPTION
26	70628736	1	YOKE, intermediate rod
27	70640418	1	ROD, intermediate
	70911048	1	NUT, jam, 3/8"NF
	70916168	1	PIN, spring, 1/8" x 3/4"
28	70070212	1	SPRING, intermediate rod
29	70628116	2	EYE, swivel, governor lever
	70911115	2	WASHER, plain, SAE std., 3/8"
	70900942	2	PIN, cotter, 3/32" x 5/8"
30	70081672	2	SPACER, control rod
31	70624624	1	LEVER ASSEMBLY, governor, inner (Includes item 33)
	70912177	1	CAPSCREW, 1/4"NF x 1-1/4"
	70904204	1	LOCKWASHER, 1/4"
	70911040	1	NUT, 1/4"NF
32	70630331	1	LEVER ASSEMBLY, governor, outer (Includes item 33)
	70912177	1	CAPSCREW, 1/4"NF x 1-1/4"
	70904204	1	LOCKWASHER, 1/4"
	70911040	1	NUT, 1/4"NF
33	70628138	2	BUSHING, governor lever
34	70621614	1	SPRING, retracting, governor lever
35	70631478	1	CLIP, spring retaining
36	70035229	1	CAPSCREW, 5/8"NF x 2"
	70904209	1	LOCKWASHER, 5/8"
37	70060553	1	WASHER, plain (For spacing)
38	70088491	1	SPRING, lower rod
39	70630736	1	ROD, lower
	70911048	1	NUT, jam, 3/8"NF
	70916168	1	PIN, spring, 1/8" x 3/4"
40	70628736	1	YOKE, lower rod
41	-----	1	LEVER (See THROTTLE CONTROL)

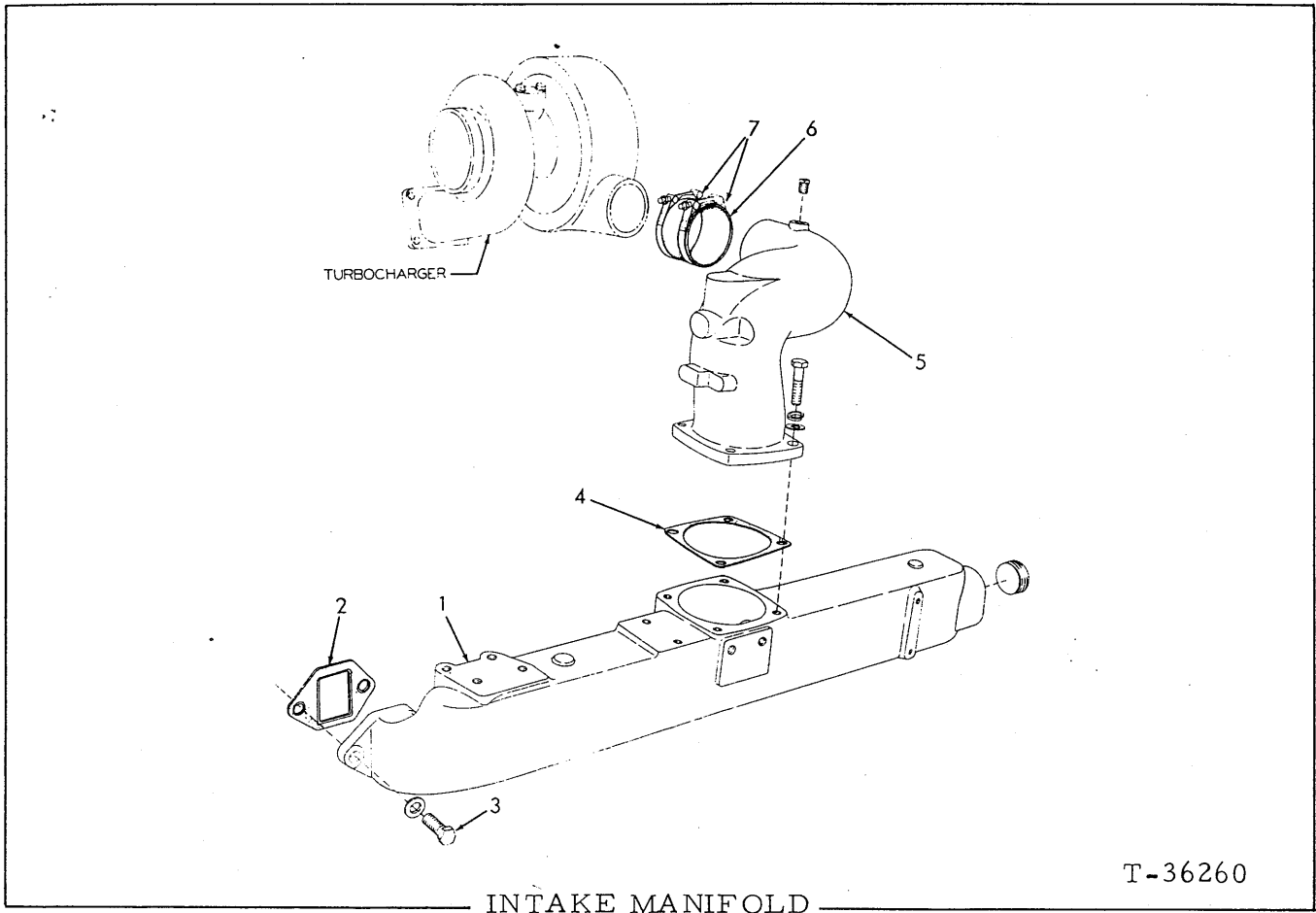
MEMO



T-75072

USAGE: Service replacement

ITEM	PART NO.	QTY.	DESCRIPTION
1	74393778	1	MANIFOLD, intake
	70901667	1	PLUG, pipe, ctsk-hd., 1-1/4"NPT
	70917673	1	PLUG, pipe, ctsk-hd., 1/8"NPT (Not used when engine primer is installed)
	70919840	1	PLUG, pipe, 1/4"NPT
2	74387697	6	□GASKET
3	74255895	8	CAPSCREW, 1-1/4" long
	74255914	4	CAPSCREW, 1-1/2" long
	74371107	12	WASHER
4	74391707	1	□GASKET
5	74393592	1	ELBOW
	70919840	1	PLUG, pipe, hex-hd., 1/4"NPT
	70919230	4	CAPSCREW, 1/2"NC x 1-3/8"
	74371107	4	WASHER
6	74391131	1	HOSE
7	70929417	2	CLAMP



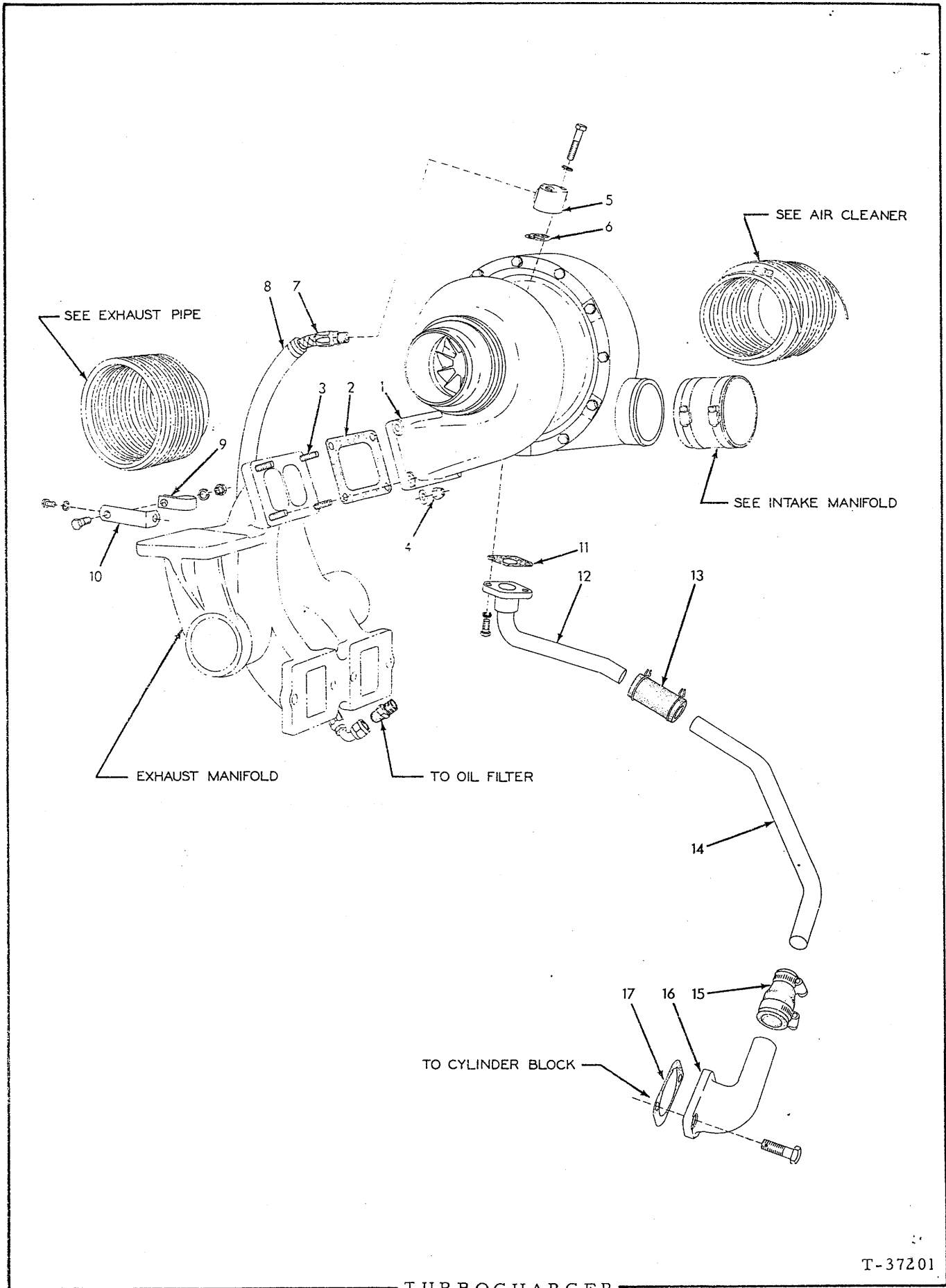
T-36260

INTAKE MANIFOLD

USAGE: Original equipment

ITEM	PART NO.	QTY.	DESCRIPTION
1	74393547	1	MANIFOLD, intake
	70901668	1	PLUG, pipe, ctsk-hd., 1-1/2"NPT
2	74387697	6	□GASKET, intake manifold
3	74367187	7	STUD, manifold attaching (2" long)(See NOTE below)
	74386041	5	STUD, manifold attaching (2-5/16"long)(See NOTE below)
	70910095	12	NUT, 1/2"NF (See NOTE below)
	70904208	12	LOCKWASHER, 1/2" (See NOTE below)
	74255895	8	CAPSCREW, manifold attaching (1-1/4" long)
	74255914	4	CAPSCREW, manifold attaching (1-1/2" long)
	70912441	12	LOCKWASHER, 1/2"
4	74391707	1	□GASKET, elbow to manifold
5	74386611	1	ELBOW, air intake (See page 95 for special elbow used with Air Heater System)
	70919840	1	PLUG, pipe, hex-hd., 1/4"NPT (Not used when engine primer is installed)
	70919230	4	CAPSCREW, 1/2"NC x 1-3/8"
	70904208	4	LOCKWASHER, 1/2"
	70912333	4	WASHER, plain
6	74391131	1	HOSE, elbow to turbocharger
7	70929417	2	CLAMP, hose

Effective with engine #21-05519



TURBOCHARGER

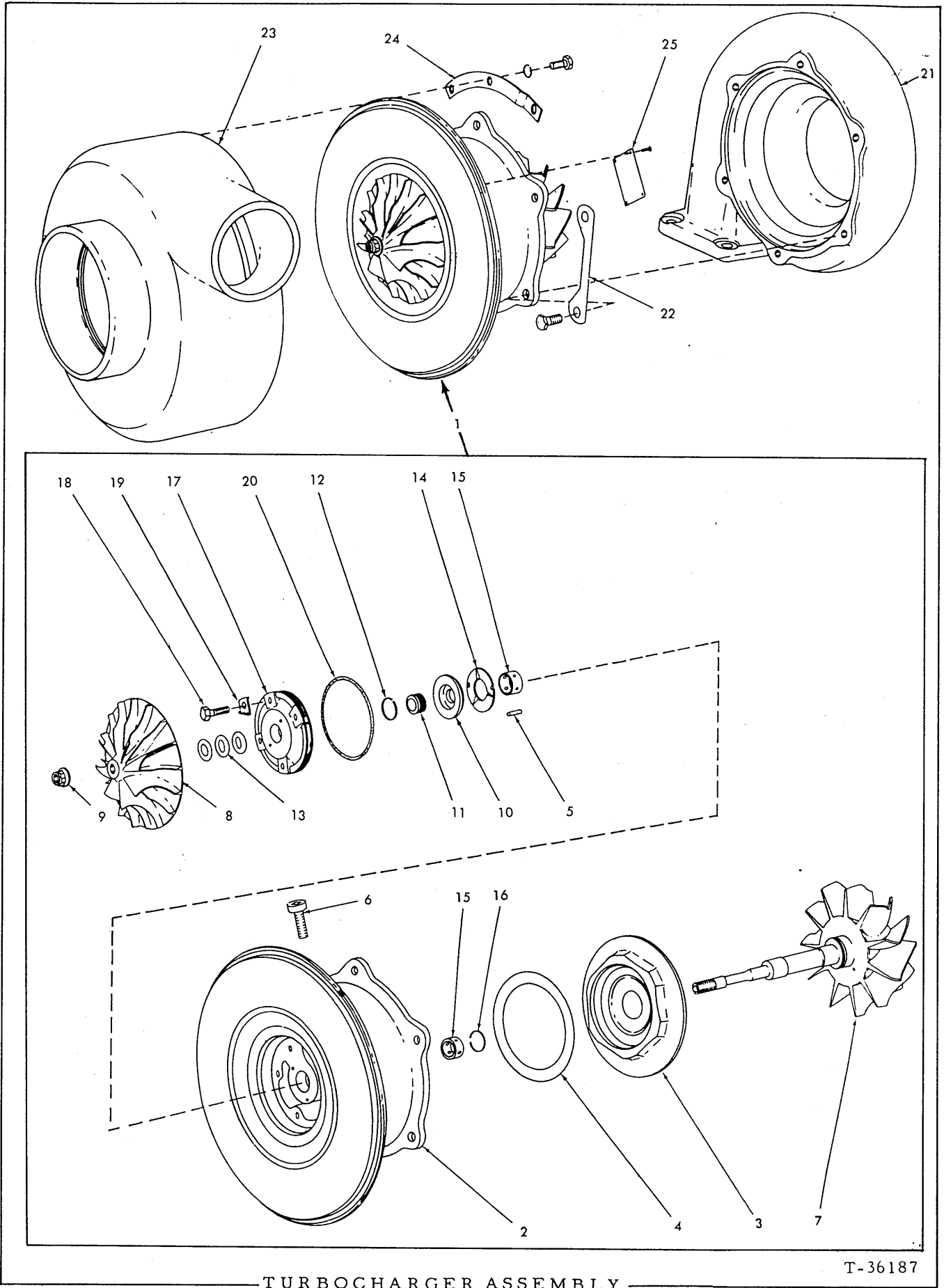
T-37201

TURBOCHARGER

ITEM	PART NO.	QTY.	DESCRIPTION
1	74389023	1	TURBOCHARGER ASSY. (Model T-1817) (Used prior to engine #21-06362. Order 74394366)
	74389968	1	TURBOCHARGER ASSY. (Model T-1817) (Effective with engine #21-06362 but later superseded by 74394366)
	74390769	1	TURBOCHARGER ASSY. (Model T-1818) (Late units)(Order 74394366)
2	74336558	1	<input type="checkbox"/> GASKET, turbocharger to manifold
3	74339535	4	STUD, turbocharger attaching
4	74385387	4	NUT
	70913544	4	WASHER, plain
5	74386237	1	FLANGE, oil supply line
	70919226	2	CAPSCREW, 3/8"NC x 1-5/8"
	70904206	2	LOCKWASHER, 3/8"
6	74335647	1	<input type="checkbox"/> GASKET, oil supply line flange
7	74386238	1	HOSE ASSY. (Original equipment), oil supply line (See HOSE PARTS. Also includes item 8)
	74393211	1	HOSE ASSY. (Service replacement) oil supply line (Includes item 8)
	70919063	1	CONNECTOR, flare type, 1/2" tube, 3/8"NPT male
8	74379283	1	SLEEVE, hose protecting (asbestos) (For hose 74386238)
	74373421	1	SLEEVE, hose protecting (asbestos) (For hose 74393211)
	70920552	2	CLAMP, hose, 7/8" I.D.
9	74254646	1	CLIP, hose supporting
	70915408	1	CAPSCREW, 3/8"NC x 3/4"
	70904206	1	LOCKWASHER, 3/8"
	70910324	1	NUT, 3/8"NC
10	74385412	1	BRACKET, hose supporting
	70916268	1	CAPSCREW, 3/8"NC x 5/8"
	70904206	1	LOCKWASHER, 3/8"
11	74335649	1	<input type="checkbox"/> GASKET, oil drain line, upper
12	74385614	1	TUBE, oil drain line, upper
	70916269	2	CAPSCREW, 3/8"NC x 7/8"
	70904206	2	LOCKWASHER, 3/8"
13	74387906	1	HOSE, oil drain line
	70921911	2	CLAMP, hose (11/16" to 1-1/4" diam.)
14	74379913	1	TUBE, oil drain line, lower
15	74379723	1	ADAPTER, oil drain line
	70921911	1	CLAMP, hose (11/16" to 1/4" diam.)
	70921912	1	CLAMP, hose (1-1/16" to 2" diam.)
16	74359972	1	ELBOW, oil drain line
	70921865	2	CAPSCREW, Nylok, 1/2"NC x 1"
17	74310257	1	<input type="checkbox"/> GASKET, oil drain line elbow
18	74387007	-	GASKET KIT (Consists of items 2, 6, 11 and 17) (Not illustrated)

See pages
85 and
85A
for parts

Indicates components of item 18



TURBOCHARGER ASSEMBLY

T-36187

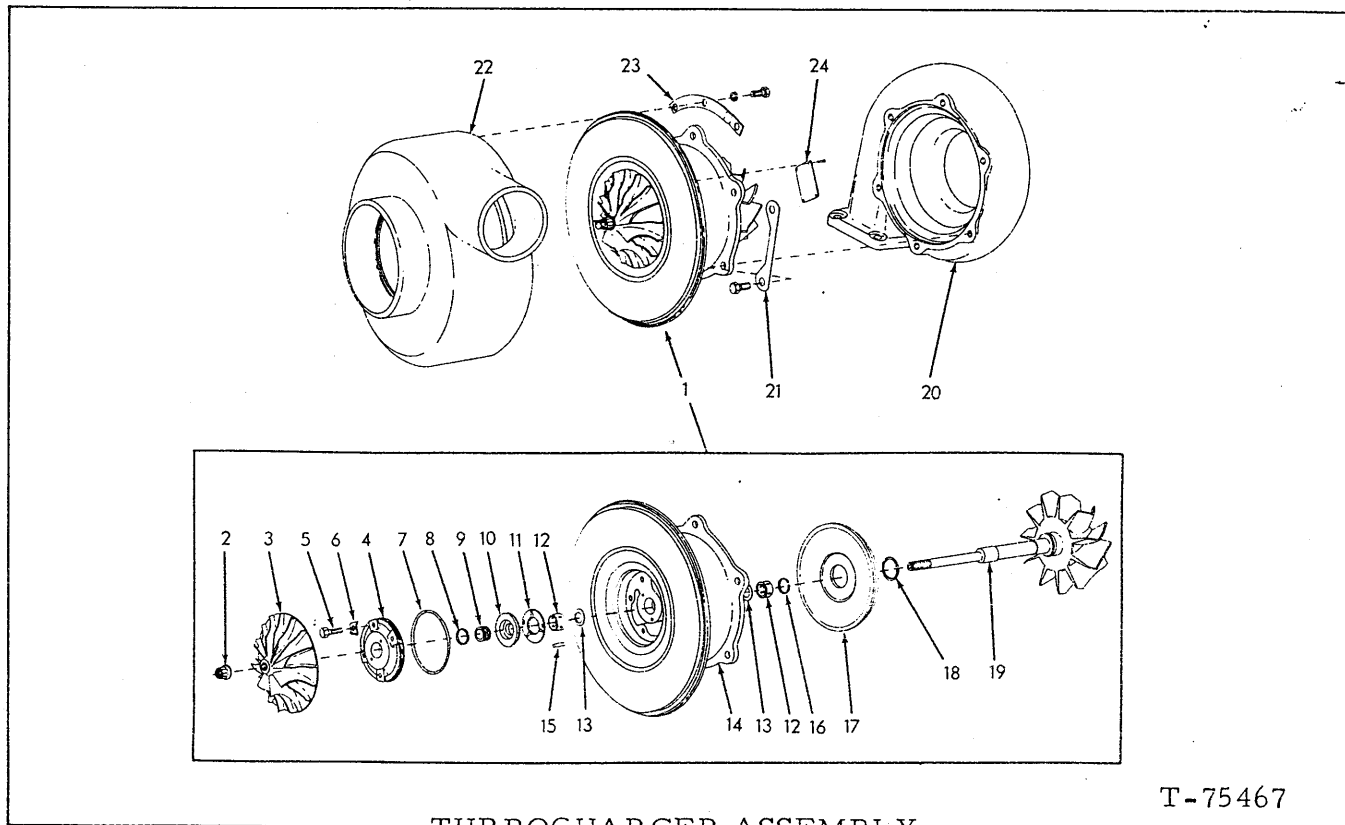
USAGE: Original equipment

TURBOCHARGER PARTS

- * TURBOCHARGER ASSEMBLY 74389023
- ** TURBOCHARGER ASSEMBLY 74389968
- Δ TURBOCHARGER ASSEMBLY 74390769

See page 71

ITEM	PART NO.	QUANTITY			DESCRIPTION	
		*	**	Δ		
1	74056616	1	1	-	HOUSING AND ROTATING ASSEMBLY	} Each consists of items 2 thru 20
	74059017	-	-	1	HOUSING AND ROTATING ASSEMBLY	
2	-----	1	-	-	HOUSING ASSY., center (Order Housing Assy. 74056617, 2 Bearing 74061213, 2 Washer 74061214, and 3 Snap Ring 70927771)	
	74056617	-	1	1	HOUSING ASSEMBLY, center (Includes items 3 thru 6)	
3	-----	1	1	1	SHROUD, wheel (Not serviced separately)	
4	-----	1	1	1	WASHER, locking, wheel shroud (Not serviced separately)	
5	74055187	2	2	2	PIN, dowel, center housing	
6	74055190	1	1	1	PLUG, oil reservoir, center housing	
7	-----	1	-	-	SHAFT AND WHEEL (Order 74056620 and Impeller 74056621)	
	74056620	-	1	1	SHAFT AND WHEEL	
8	-----	1	-	-	IMPELLER (Order 74056621 and Shaft and Wheel 74056620)	
	74056621	-	1	-	IMPELLER	
	74059016	-	-	1	IMPELLER	
9	74055201	1	1	1	NUT, impeller retaining	
10	74056494	1	1	1	RING, thrust	
11	74056339	1	1	1	SPACER, thrust	
12	74055195	1	1	1	RING, sealing	
13	74055197	-	-	-	SHIM, impeller (.002" thick)	} Use as required
	74055198	-	-	-	SHIM, impeller (.005" thick)	
	74055199	-	-	-	SHIM, impeller (.010" thick)	
14	74055192	1	1	1	BEARING, thrust	
15	74055191	2	-	-	BEARING, impeller shaft	
	-----	-	2	2	BEARING, impeller shaft (Order 2 Bearing 74061213 and 2 Washer 74061214)	
16	74255196	3	-	-	RING, snap	
	70927771	-	3	3	RING, snap	
17	74055193	1	1	1	PLATE ASSEMBLY, thrust, center housing (Includes riveted washer)	
18	74055196	4	4	4	CAPSCREW, #10-24NC x 7/8"	
19	74055194	4	4	4	PLATE, locking	
20	74053336	1	1	1	O-RING, thrust plate	
21	74055982	1	1	1	HOUSING, turbine (If for engines prior to #21-05279 also order 6 CAPSCREWS 74056026 and 3 PLATES 74055981)	
	70915809	6	-	-	CAPSCREW, 5/16"NC x 3/4" (Used prior to engine #21-05279)	
	74056026	6	6	6	CAPSCREW, 3/8"NC x 3/4" (Effective with engine #21-05279)	
22	74055981	3	3	3	PLATE, capscrew locking	
23	74055202	1	1	-	HOUSING ASSEMBLY, compressor (Includes venturi)	
	74059018	-	-	1	HOUSING ASSEMBLY, compressor (Includes venturi)	
24	74055203	6	6	6	CLAMP, compressor housing	
	70915809	12	12	12	CAPSCREW, 5/16"NC x 3/4"	
	70917356	12	12	12	LOCKWASHER, plated, 5/16"	
25	74055206	1	1	1	PLATE, name	
	74049009	4	4	4	SCREW, drive	



TURBOCHARGER ASSEMBLY

USAGE: Service replacement

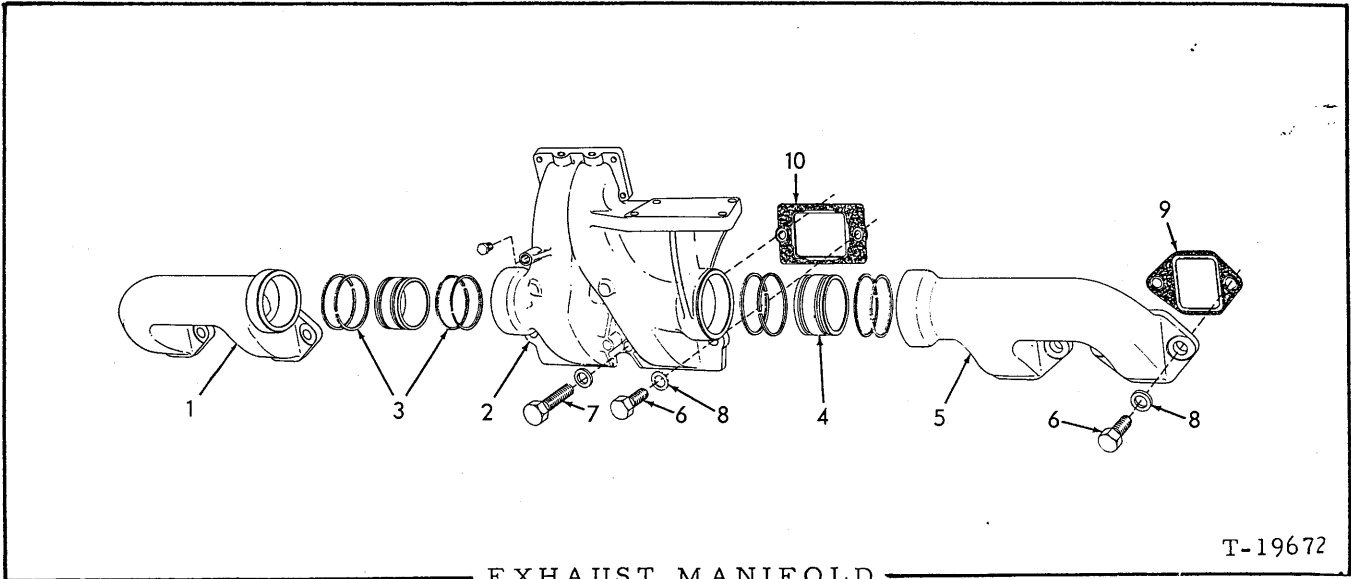
*TURBOCHARGER ASSY. 74391962
 **TURBOCHARGER ASSY. 74394366 } See page 83

ITEM	PART NO.	QTY.	DESCRIPTION
		* **	
-	-----	1 -	TURBOCHARGER ASSY. (Includes items 1 thru 12 and 14 thru 24)
-	-----	- 1	TURBOCHARGER ASSY. (Includes items 1 thru 24)
1	74059751	1 -	HOUSING AND ROTATING ASSY. (Consists of items 2 thru 12 and 14 thru 19)
	74061217	- 1	HOUSING AND ROTATING ASSY. (Consists of items 2 thru 19)
2	74055201	1 1	NUT, impeller retaining
3	74059016	1 -	IMPELLER
	74061218	- 1	IMPELLER
4	74055193	1 1	PLATE ASSY., thrust, center housing (Includes riveted washer)
5	74055196	4 4	CAPSCREW, #10-24NC x 7/8"
6	74055194	4 4	PLATE, locking
7	74053336	1 1	O-RING, thrust plate
8	74055195	1 1	RING, sealing
9	74056339	1 -	SPACER, thrust
	74060984	- 1	SPACER, thrust
10	74056494	1 1	RING, thrust
11	74055192	1 1	BEARING, thrust

(Continued)

TURBOCHARGER ASSEMBLY (Continued)

ITEM	PART NO.	QTY.	DESCRIPTION
		* **	
12	-----	2 -	BEARING, impeller shaft (Order 2 Bearing 74061213 and item 13)
	74061213	- 2	BEARING, impeller shaft
13	74061214	- 2	WASHER, wear
14	74059745	1 -	HOUSING ASSY., center (Includes item 4)
	74061210	- 1	HOUSING ASSY., center (Includes item 4)
15	74055187	2 2	PIN, dowel, center housing
16	70927771	3 3	RING, snap
17	74059748	1 1	SHROUD, wheel
18	74059746	1 -	RING, sealing shaft
	74061212	- 1	RING, sealing shaft
19	74059744	1 1	SHAFT AND WHEEL
20	74059747	1 1	HOUSING, turbine
	74056026	6 6	CAPSCREW, 3/8"NC x 3/4"
21	74055981	3 3	PLATE, capscrew locking
22	74059018	1 1	HOUSING ASSY., compressor (Includes venturi)
23	74055203	6 6	CLAMP, compressor housing
	70903626	12 12	CAPSCREW, 5/16"NC x 3/4"
	70917356	12 12	LOCKWASHER, plated, 5/16"
24	74055206	1 1	PLATE, name
	74049009	4 4	SCREW, drive



T-19672

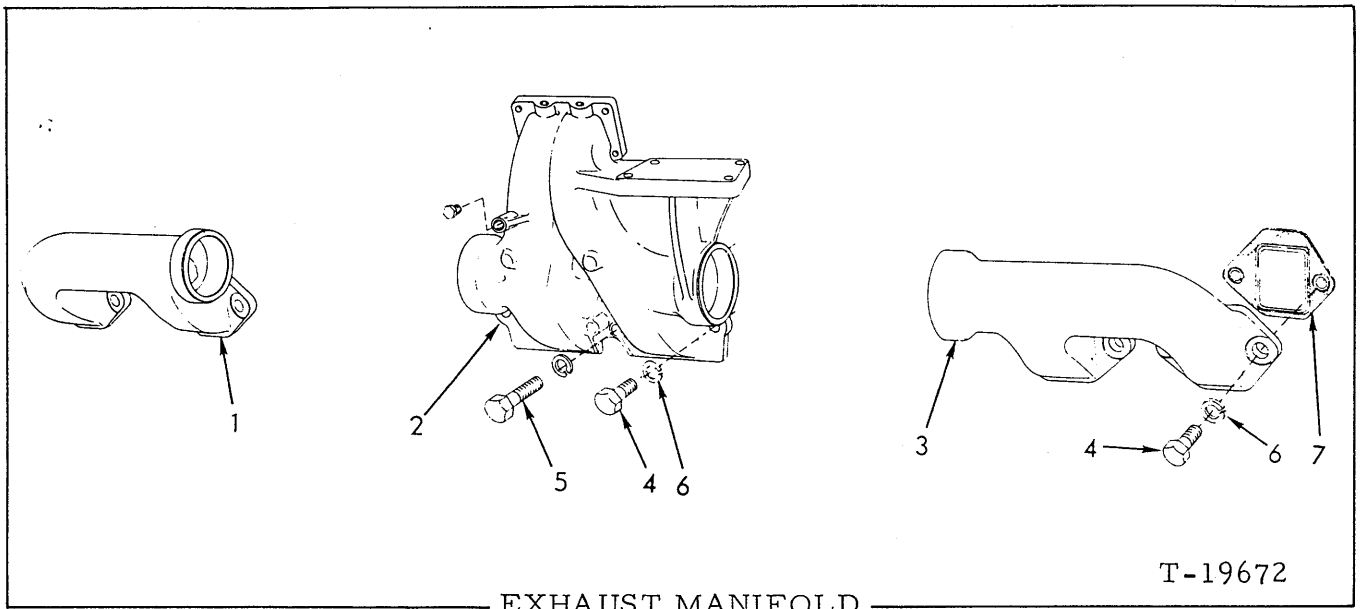
USAGE: Original equipment

ITEM PART NO. QTY. DESCRIPTION

1	74374694	1	MANIFOLD, rear section	
2	74387014	1	MANIFOLD, exhaust, center section	
	70917425	2	PLUG, pipe, hex-hd., brass, 1/4"NPT	
3	74376036	8	RING, sealing	} Used prior to Eng. #21-09094
4	74375355	2	SLEEVE, connecting	
	74391425	2	SLEEVE, connecting (Effective with engine #21-09094)	
5	74374695	1	MANIFOLD, front section	
6	74346208	10	STUD, manifold attaching (2-1/8" long)(Used prior to engine #21-05519)	
	74253270	10	NUT, 1/2"NC	
	70915987	10	CAPSCREW, manifold attaching (1-1/2" long)(Effective with engine #21-05519)	
7	74374744	2	STUD, center manifold (3-1/4" long)(Used prior to engine #21-05519)	
	74253270	2	NUT, 1/2"NC	
	70916317	2	CAPSCREW, manifold attaching (2-3/4" long)(Effective with engine #21-05519)	
8	74371107	12	WASHER, manifold stud nut	
9	74387697	4	□GASKET, manifold	
10	-----	2	□GASKET, center manifold (Use item 9)	

□Also see PACKAGED PARTS

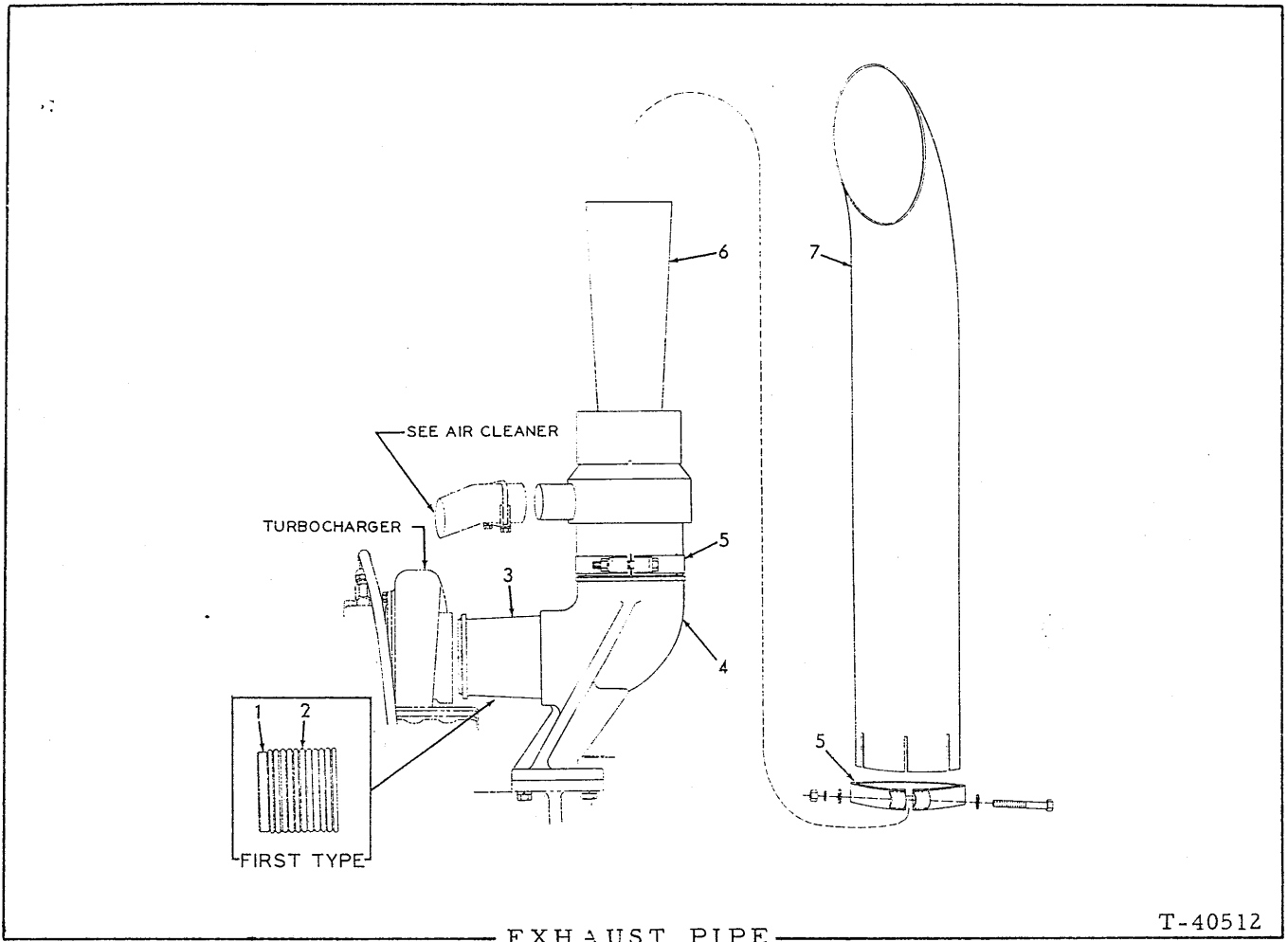
(Revised August 1979)



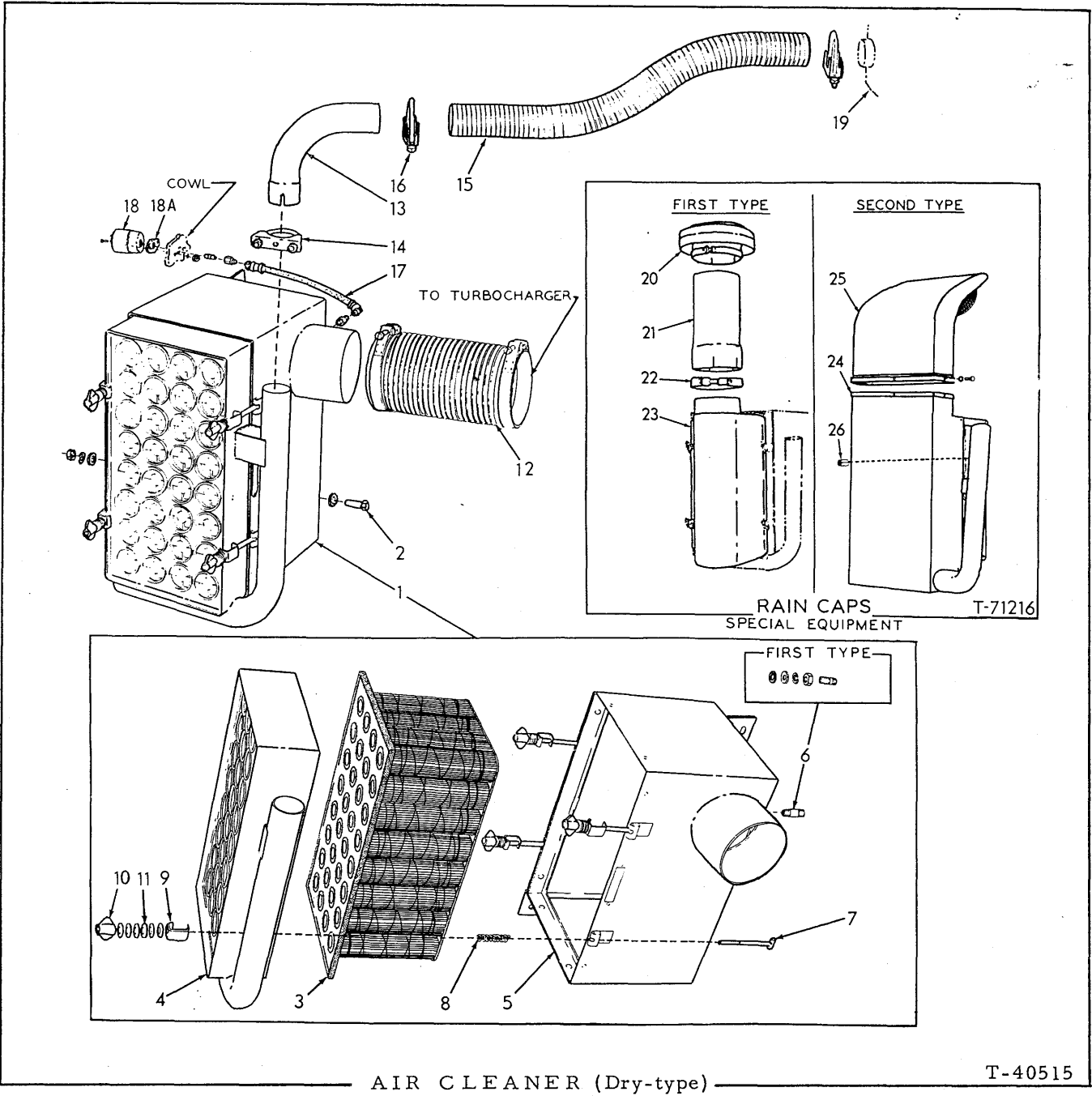
USAGE: Service replacement

ITEM	PART NO.	QTY.	DESCRIPTION
1	74395012	1	MANIFOLD
2	74393548	1	MANIFOLD
	70917425	2	PLUG, pipe, hex-hd., brass, 1/4"NPT
3	74395011	1	MANIFOLD
4	70915987	10	CAPSCREW, (1-1/2" long)
5	70916317	2	CAPSCREW, (2-3/4" long)
6	74371107	12	WASHER
7	74387697	6	□ GASKET

MEMO



ITEM	PART NO.	QTY.	DESCRIPTION
1	-----	1	ADAPTOR, exhaust elbow hose
2	-----	1	HOSE, exhaust elbow (metal)
3	74391715	1	DIFFUSER, exhaust (Engines #21-07467 and up)
4	74393563	1	ELBOW, exhaust
	70919230	4	CAPSCREW, 1/2"NC x 1-3/8"
	70904208	4	LOCKWASHER, 1/2"
5	70629755	2	CLAMP, exhaust pipe
	70916389	2	CAPSCREW, 3/8"NF x 3-1/4"
	70044973	4	WASHER, plain
	70904206	2	LOCKWASHER, 3/8"
	70911041	2	NUT, 3/8"NF
6	70629761	1	ASPIRATOR, air cleaner (Not used on units with special oil-bath cleaner)
7	70096055	1	PIPE, exhaust



USAGE: Tractors prior to serial No. 14052

ITEM	PART NO.	QTY.	DESCRIPTION
1	70629535	1	CLEANER ASSEMBLY, air (Consists of items 3 thru 11)
2	70614478	2	CAPSCREW, 1/2"NF x 1-3/8"
	70035018	3	CAPSCREW, 1/2"NF x 1-1/2"
	70064531	8	WASHER, plain (heavy)
	70904208	5	LOCKWASHER, 1/2"
	70911043	5	NUT, 1/2"NF
3	70632707	1	CARTRIDGE, air cleaner
4	70638905	1	PANEL, pre-cleaner

(Continued)

(Revised August 1979)

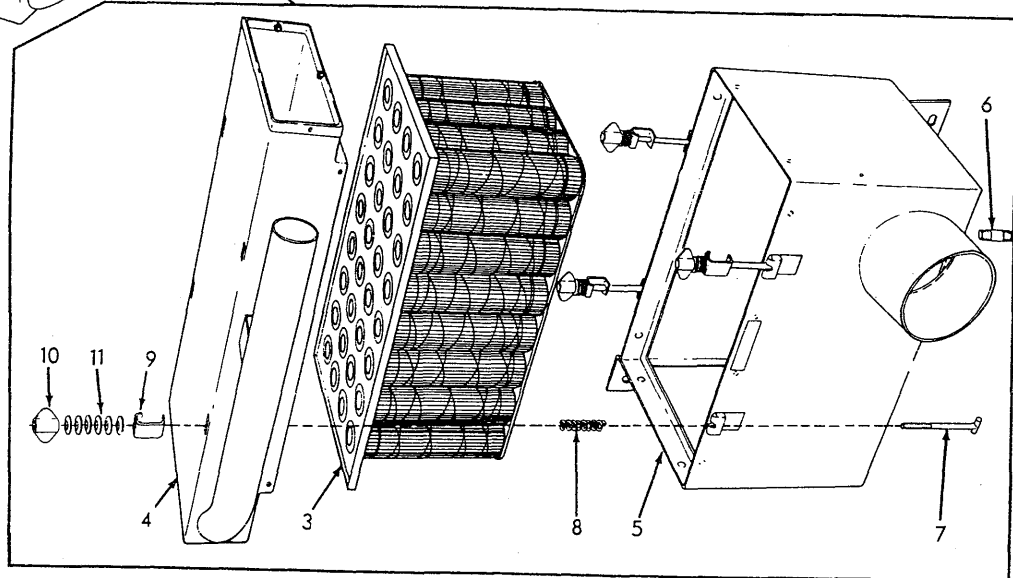
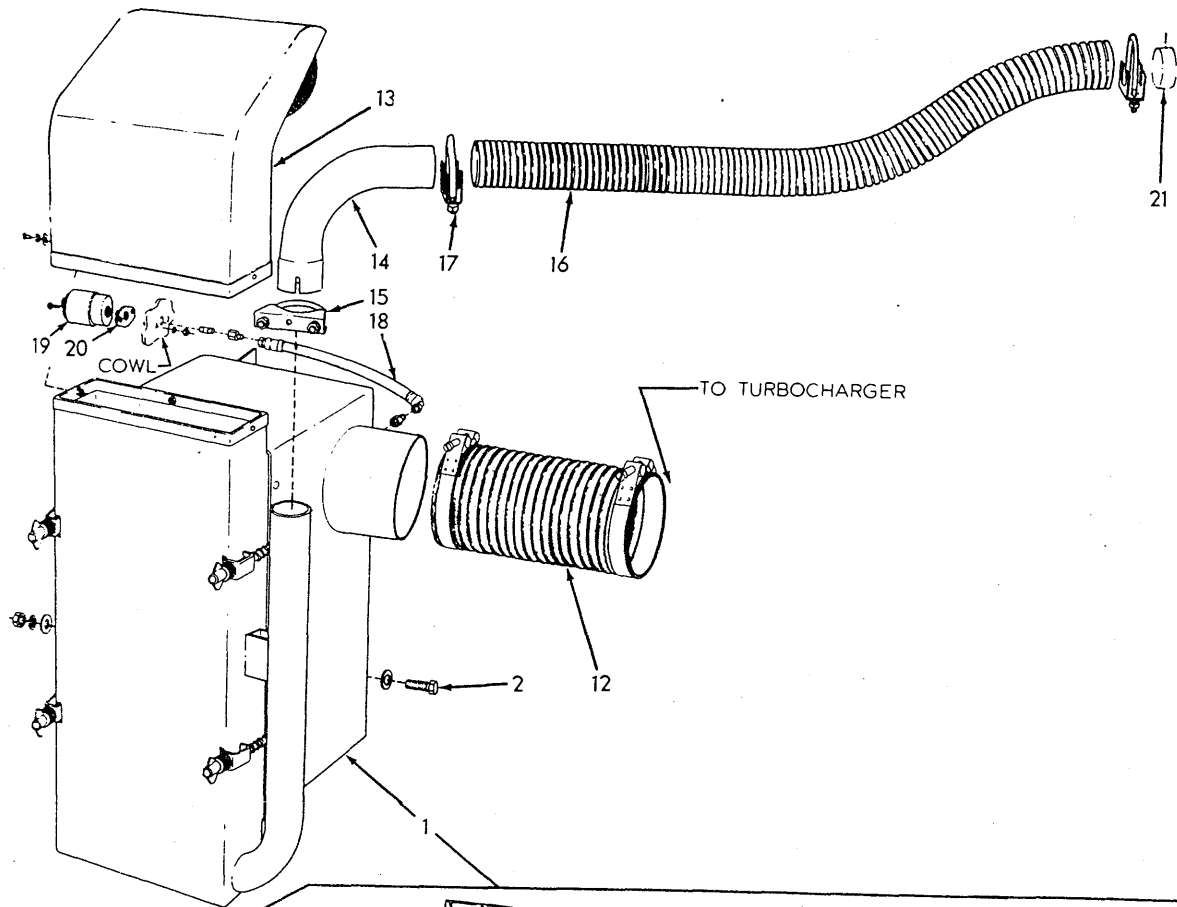
AIR CLEANER (Dry-type)(Continued)

ITEM	PART NO.	QTY.	DESCRIPTION
5	70638895	1	HOUSING ASSEMBLY, air cleaner (Includes items 6 thru 11)
6	70650959	1	ADAPTER KIT, restriction indicator (Includes filter and items listed below)(For tractors prior to #13954)
	70911048	1	NUT, jam, 3/8"NF
	70904206	1	LOCKWASHER, 3/8"
	70900817	1	WASHER, plain, U.S. std., 3/8"
	70638727	1	GASKET
	70650302	1	ADAPTER, restriction indicator (1/8"NPT nipple. * Includes filter) (Effective with tractor #13954)
7	70196663	4	T-BOLT, pre-cleaner panel
8	70650301	4	SPRING, pre-cleaner panel T-Bolt
9	70196662	4	HOOK, pre-cleaner panel
10	70056863	4	NUT, wing, pre-cleaner panel bolt
11	70659195	24	WASHER, spring, pre-cleaner panel bolt
12	70655460	1	HOSE, air cleaner to turbocharger
	70658779	2	CLAMP, hose
13	70185370	1	ELBOW, aspirator
14	70185367	1	CLAMP ASSEMBLY, aspirator elbow
15	70629760	1	HOSE, aspirator
16	70185502	2	CLAMP ASSEMBLY, aspirator hose
17	70645075	1	HOSE, restriction indicator (See HOSE PARTS)
	70919174	2	CONNECTOR, flare type 1/4" tube, 1/8"NPT female
	70904273	1	NIPPLE, pipe, 1/8"NPT x 1"
18	74388648	1	INDICATOR, air restriction (Serviced only as a unit)
	70924956	2	CAPSCREW, 1/4"NF x 3/4"
	70904204	2	LOCKWASHER 1/4"
	70911040	2	NUT 1/4"NF
18A	73045531	1	FLANGE, mounting, air restriction indicator
19	-----	1	ASPIRATOR (See EXHAUST PIPE)
NOTE: Items listed below are special equipment			
20	70645028	1	RAINCAP (Includes mounting clamp)
21	70645029	1	TUBE, raincap extension
22	70629755	1	CLAMP, raincap extension tube
	70916389	1	CAPSCREW, 3/8"NF x 3-1/4"
	70044973	2	WASHER, plain
	70904206	1	LOCKWASHER, 3/8"
	70911041	1	NUT, 3/8"NF
23	70645030	1	ADAPTER, raincap
24	70651041	1	PANEL, pre-cleaner (Replaces standard PANEL 638905)
25	70650826	1	ADAPTOR, air intake
	70916284	4	CAPSCREW, 1/4"NC x 1/2"
	70904204	4	LOCKWASHER, 1/4"
26	70655140	4	NUT, pre-cleaner panel

FIRST TYPE

SECOND TYPE

(Revised August 1979)



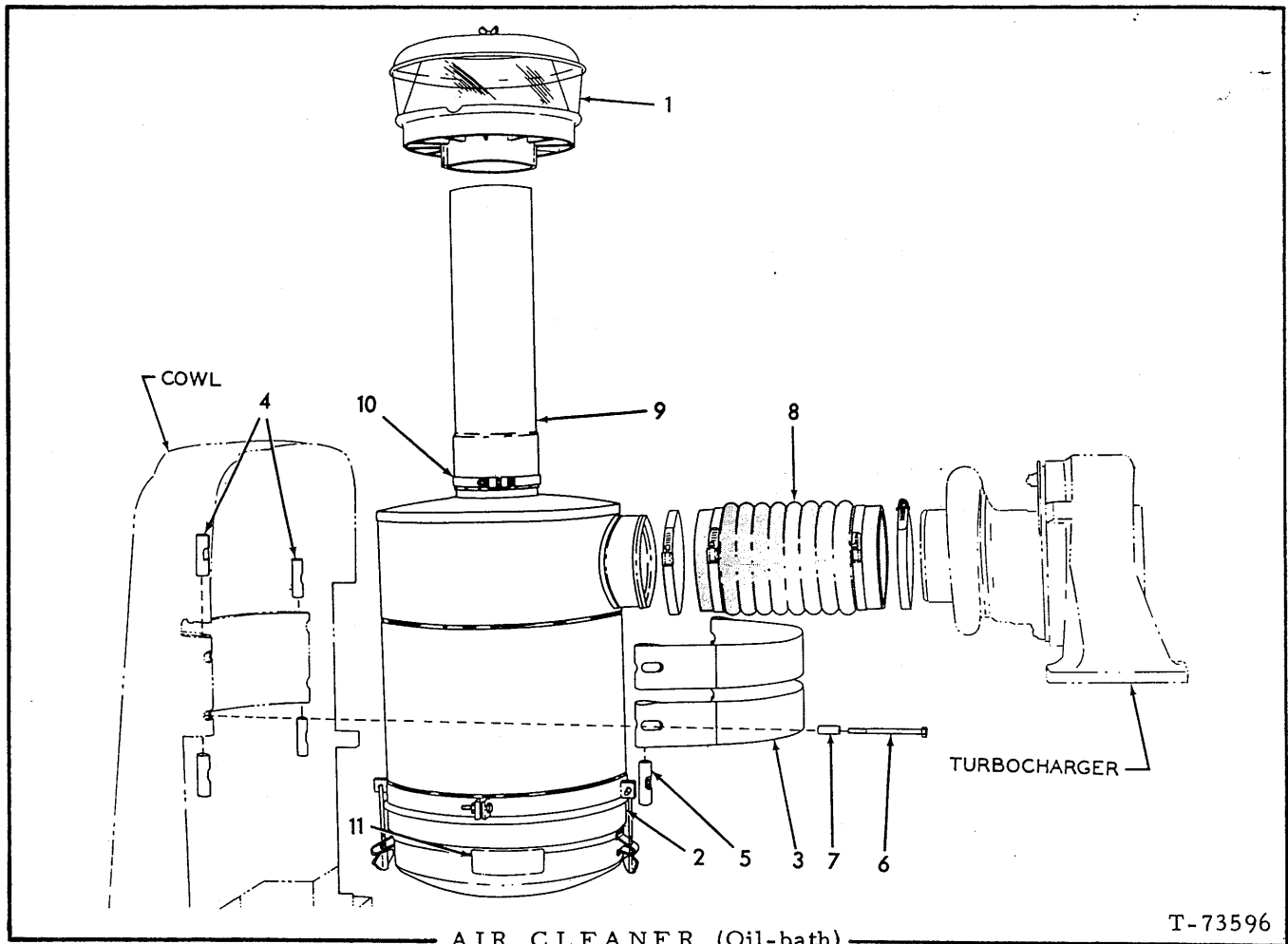
AIR CLEANER (Dry-type)

T-71985

AIR CLEANER (Dry-type)

USAGE: Tractors serial No. 14052 and up. See page 92 for optional oil-bath cleaner.

ITEM	PART NO.	QTY.	DESCRIPTION
1	70650671	1	CLEANER ASSEMBLY, air (Consists of items 3 thru 11)
	70614478	2	CAPSCREW, 1/2"NF x 1-3/8"
	70035018	2	CAPSCREW, 1/2"NF x 1-1/2"
2	70064531	5	WASHER, plain (heavy)
	70904208	4	LOCKWASHER, 1/2"
	70911043	4	NUT, 1/2"NF
3	70632707	1	CARTRIDGE, air cleaner
4	70650827	1	PRE-CLEANER
5	70638895	1	HOUSING ASSEMBLY, air cleaner (Includes items 6 thru 11)
6	70650302	1	ADAPTER, restriction indicator
7	70196663	4	T-BOLT, pre-cleaner
8	70650301	4	SPRING, pre-cleaner T-Bolt
9	70196662	4	HOOK, pre-cleaner
10	70056863	4	NUT, wing, pre-cleaner bolt
11	70659195	24	WASHER, spring, pre-cleaner bolt
12	70655460	1	HOSE, air cleaner to turbocharger
	70658779	2	CLAMP, hose
13	70650826	1	ADAPTER, air intake
	70047478	4	CAPSCREW, 1/4"NC x 5/8"
	70904204	4	LOCKWASHER, 1/4"
	70911114	4	WASHER, plain, SAE std., 1/4"
14	70185370	1	ELBOW, aspirator
15	70185367	1	CLAMP ASSEMBLY, aspirator elbow
16	70629760	1	HOSE, aspirator
17	70185502	2	CLAMP ASSEMBLY, aspirator hose
18	70645075	1	HOSE, restriction indicator (See HOSE PARTS)
	70919174	2	CONNECTOR, flare type, 1/4" tube, 1/8"NPT female
	70904273	1	NIPPLE, pipe, 1/8"NPT x 1"
19	70631564	1	INDICATOR, air restriction (Serviced only as a unit)
20	73045531	1	FLANGE, mounting, air restriction indicator
	70924956	2	CAPSCREW, 1/4"NF x 3/4"
	70904204	2	LOCKWASHER, 1/4"
	70911040	2	NUT, 1/4"NF
21	-----	1	ASPIRATOR (See EXHAUST PIPE)



T-73596

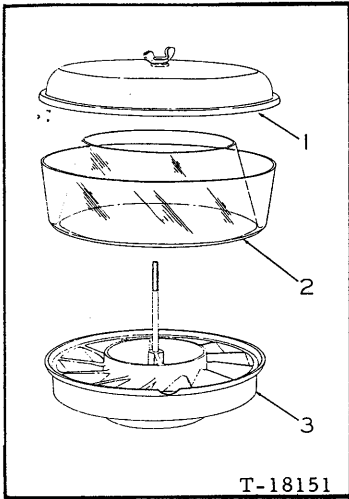
USAGE: Special equipment

ITEM	PART NO.	QTY.	DESCRIPTION
1	70 082524	1	PRE-CLEANER ASSEMBLY, air (See page 93 for parts)
2	70 655271	1	CLEANER ASSEMBLY, air (See page 93 for parts)
3	70 082206	2	BAND, air cleaner mounting
4	70 056100	4	PIN, mounting band (threaded hole)
5	70 056099	4	PIN, mounting band (plain hole)
6	70 040570	4	CAPSCREW, mounting band
7	70 053667	4	SPACER, mounting band cap screw
8	70 655273	1	HOSE, cleaner to turbocharger
	70 921919	4	CLAMP, hose, 4-5/8" to 7-1/4" diam.
9	70 620017	1	TUBE, air inlet
10	70 638922	1	CLAMP, air inlet tube
	70 051897	1	CAPSCREW, 3/8"NF x 3"
	70 900817	2	WASHER, plain, U.S. std., 3/8"
	70 904206	1	LOCKWASHER, 3/8"
	70 911041	1	NUT, 3/8"NF
11	-----	1	TRANSFER, instruction (See PAINTING AND MARKING)

(Revised August 1979)

AIR PRE-CLEANER ASSEMBLY 70082524

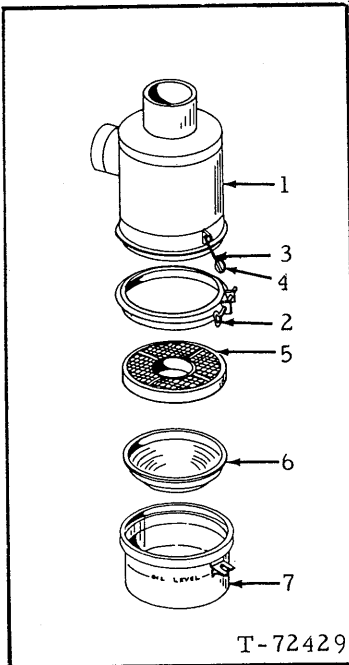
USAGE: See page 92



ITEM	PART NO.	QTY.	DESCRIPTION
1	70082661	1	COVER ASSEMBLY (Includes wing nut)
2	70082662	1	BODY
3	70082663	1	SLEEVE ASSEMBLY (Includes stud)

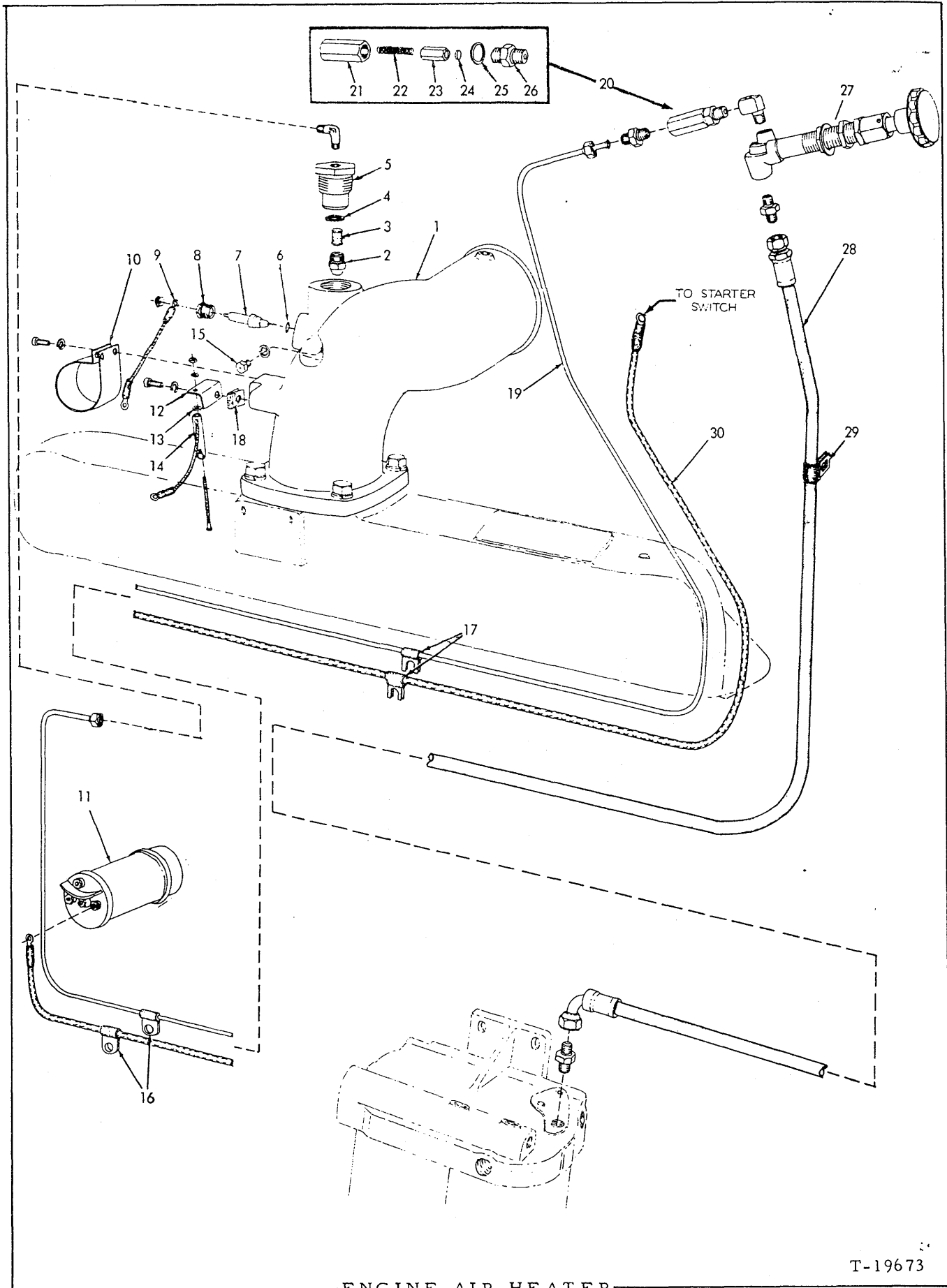
AIR CLEANER ASSEMBLY 70655271

USAGE: See page 92



ITEM	PART NO.	QTY.	DESCRIPTION
1	-----	1	BODY ASSEMBLY (Not serviced separately)
2	70656647	1	BAND ASSEMBLY (Includes screw and nut)
3	74055454	2	BOLT ASSEMBLY (Includes item 4)
4	74055455	2	NUT, wing
5	70656644	1	ELEMENT, filtering
6	70656645	1	CUP, inner
7	70656646	1	CUP, outer

(Revised August 1979)



ENGINE AIR HEATER

T-19673

ENGINE AIR HEATER

USAGE: Special equipment. Not for units equipped with Engine Primer. (Discontinued)

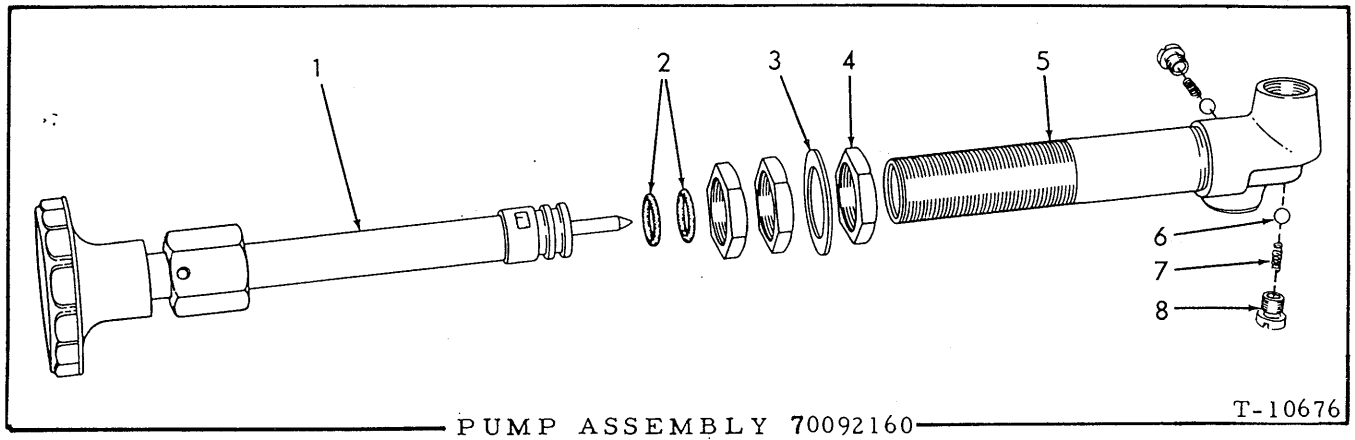
ITEM	PART NO.	QTY.	DESCRIPTION
1	70633163	1	ELBOW, air intake (Replaces standard ELBOW 74386611)
2	70631224	1	NOZZLE ASSEMBLY, spray (Includes item 3)
3	70631225	1	STRAINER ASSEMBLY, spray nozzle (1 body and 1 screen)
4	70630787	1	WASHER, spray nozzle
5	70088038	1	BUSHING, spray nozzle
6	70631566	1	GASKET, insulator
7	70631226	1	INSULATOR PACKAGE (Includes terminal nut and item 6)
8	70630828	1	NUT, insulator retaining
9	70095860	1	CABLE, coil to insulator
10	70631199	1	BRACKET, ignition coil mounting
	70912226	2	SCREW, machine, fil-hd., 1/4"NC x 5/8"
	70904204	2	LOCKWASHER, 1/4"
11	70097026	1	COIL, ignition (Serviced only as a unit)
12	70644133	1	BRACKET, resistor mounting
	70912226	1	SCREW, machine, fil-hd., 1/4" x 5/8"
	70904204	1	LOCKWASHER, 1/4"
13	70631198	1	WASHER, insulating
14	70630830	1	RESISTOR
	70915922	1	SCREW, machine, #8-32 x 2-1/4"
	70915923	1	LOCKWASHER, external teeth, #8
	70907154	1	NUT, #8-32
15	70630827	1	SCREW ASSEMBLY, electrode (1 screw and 1 electrode)
	70904204	1	LOCKWASHER, 1/4"
16	70644883	2	CLIP, supporting, tube and cable (3/16" diam., 17/32" bolt-hole)
17	70639313	3	CLIP, supporting, tube and cable (3/16" diam., 13/32" bolt-hole)
18	70644758	1	CLIP, tube supporting (3/16" diam., 9/32" bolt-hole)
19	70094665	1	TUBE ASSEMBLY, pump to nozzle (Includes nuts)
	70919204	1	ELBOW, flare type, 3/16" tube, 1/8"NPT male
	70919244	1	CONNECTOR, flare type, 3/16" tube, 1/8"NPT male
20	70094642	1	VALVE ASSEMBLY, check (Consists of item 21 thru 26)
21	70094890	1	BODY, check valve
22	70048603	1	SPRING, check valve
23	70048608	1	PLUNGER, check valve
24	70048606	1	DISC, check valve
25	70630713	1	WASHER, check valve

(Continued)

(Revised August 1979)

ENGINE AIR HEATER (Continued)

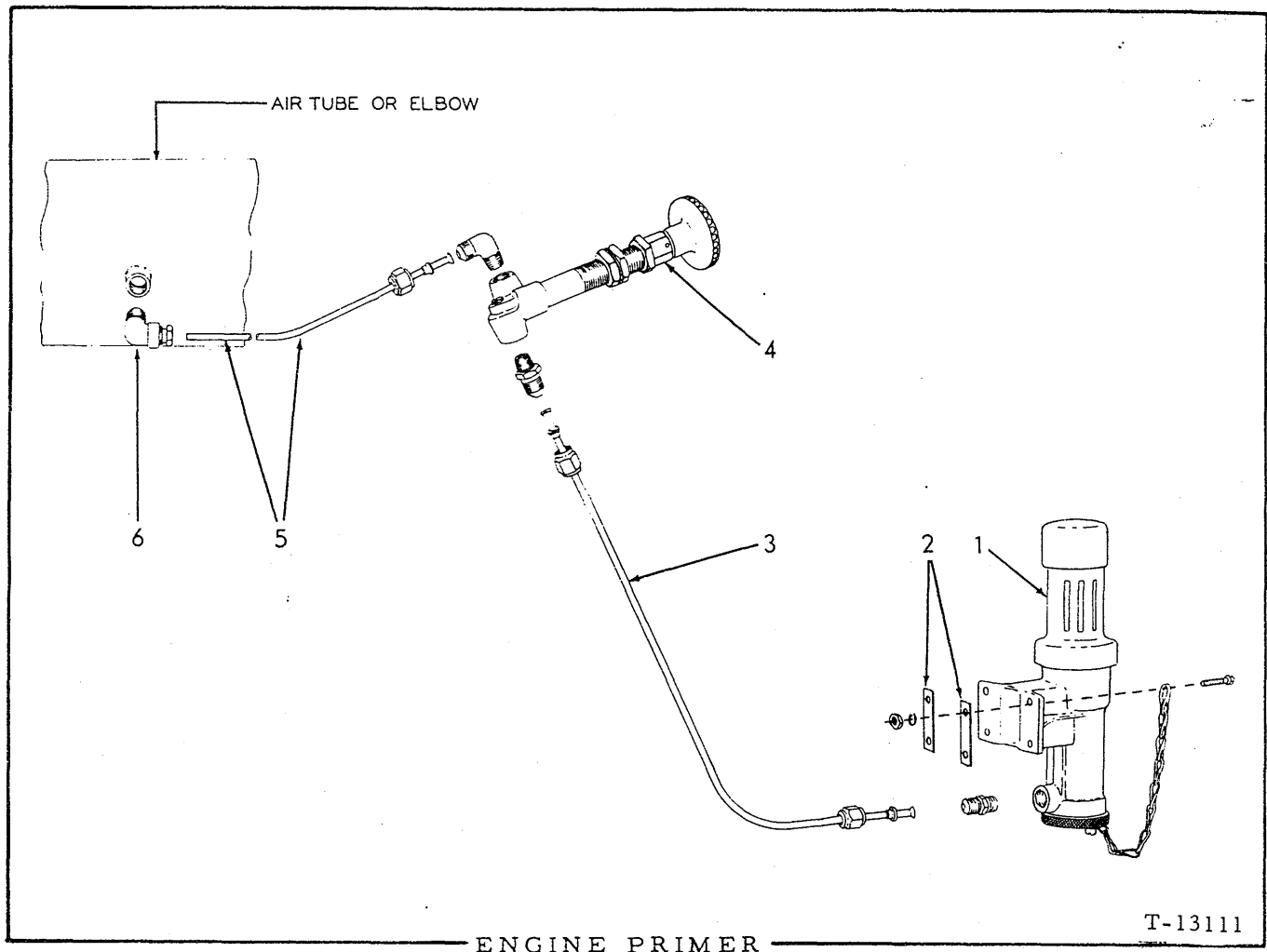
ITEM	PART NO.	QTY.	DESCRIPTION
26	70092793	1	CONNECTOR, check valve
27	70092160	1	PUMP ASSEMBLY (See page 97 for parts)
	70915399	1	ELBOW, street, 90°, brass, 1/8"NPT
28	70643723	1	HOSE, fuel filter to pump (See HOSE PARTS)
	70919171	2	CONNECTOR, flare type, 1/4" tube, 1/8"NPT male
29	70644006	1	CLIP, hose supporting
30	70067177	1	CABLE, switch to coil



USAGE: See page 95 and 98

ITEM PART NO. QTY. DESCRIPTION

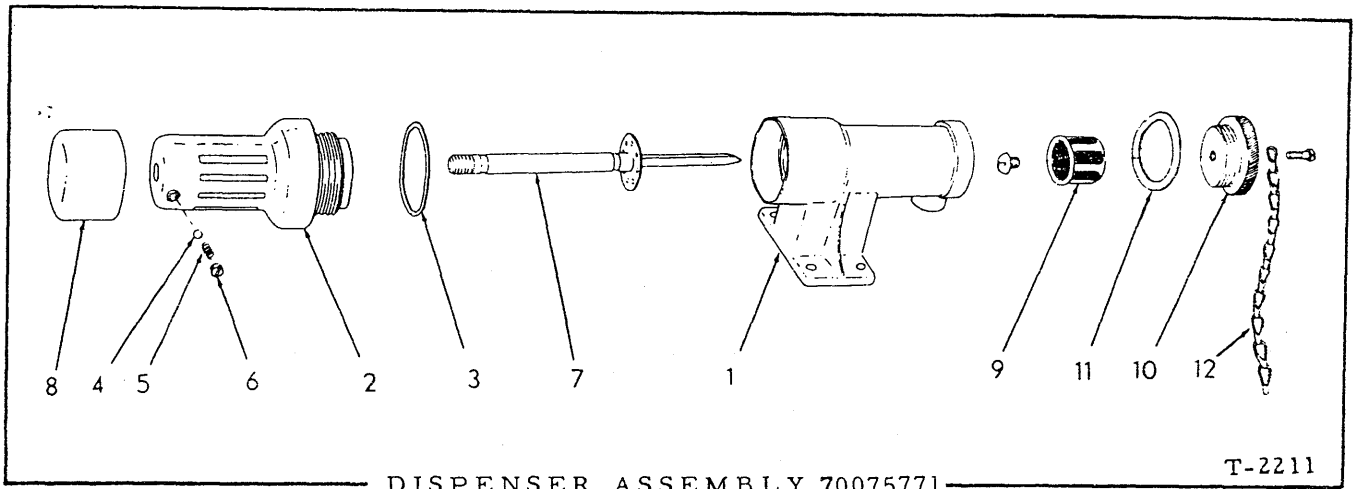
1	-----	1	PISTON ASSEMBLY (Not serviced separately)
2	70923560	2	O-RING, plunger
3	70066873	1	WASHER, mounting
4	70066872	3	NUT, mounting
5	-----	1	BARREL ASSEMBLY (Not serviced separately)
6	70066876	2	BALL, check valve (5/32" diam.)
7	70066875	2	SPRING, check valve
8	70066874	2	RETAINER, check valve



USAGE: Special equipment. For all units except those equipped with Air Heater

ITEM PART NO. QTY. DESCRIPTION

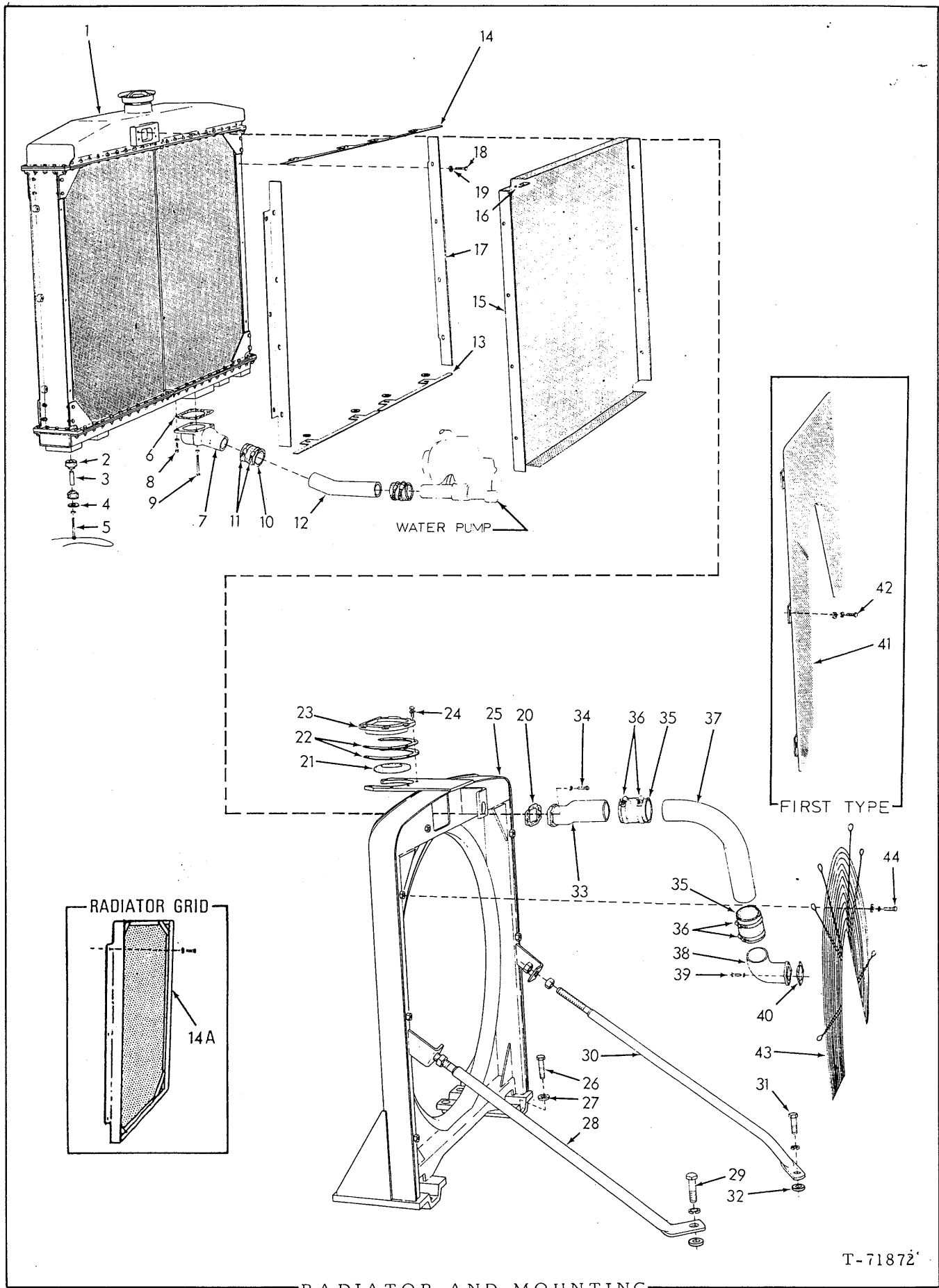
1	70075771	1	DISPENSER ASSEMBLY, priming fuel (See page 99 for parts)
	70913706	4	CAPSCREW, #10-24NC x 1"
	70904203	4	LOCKWASHER, #10
	70901310	4	NUT, #10-24NC
2	70066261	6	GASKET, dispenser mounting
3	-----	1	TUBE, dispenser to pump (Order item 7)
	70915488	2	NUT, Sealastic, 1/8" tube
	70915486	2	RING, Sealastic, 1/8" tube (Includes ferrule)
	70915556	2	CONNECTOR, Sealastic, 1/8" tube, 1/8"NPT male
4	70092160	1	PUMP ASSEMBLY (See page 97 for parts)
5	-----	1	TUBE, pump discharge (Order item 7)
	70915488	1	NUT, Sealastic, 1/8" tube
	70915486	1	RING, Sealastic, 1/8" tube (Includes ferrule)
	70915557	1	ELBOW, Sealastic, 1/8" tube, 1/8"NPT male
6	70066517	1	ELBOW ASSEMBLY, fuel spray (Includes nozzle, nut and sleeve. Serviced only as a unit)
7	70066253	-	TUBING, copper, 1/8"O.D., 10ft. roll (Use as req'd)(Not Illustrated)



USAGE: See page 98

ITEM	PART NO.	QTY.	DESCRIPTION
1	70068878	1	BODY, fuel dispenser
2	70068879	1	CHAMBER, fuel dispenser
3	70069164	1	GASKET, fuel dispenser chamber
4	70905357	1	BALL, steel, 3/16" diam.
5	70066251	1	SPRING, plunger locking ball
6	70066252	1	PLUG, retaining, locking ball spring
7	70066255	1	PLUNGER, fuel dispenser
8	70068881	1	KNOB, fuel dispenser plunger
9	70068875	1	STRAINER, fuel dispenser
	70915432	1	SCREW, machine, 1/4"NC x 5/16"
10	70075770	1	PLUG, fuel dispenser strainer
11	70068876	1	GASKET, fuel dispenser strainer plug
12	70075769	1	CHAIN, strainer plug retaining
	70901781	1	SCREW, machine, fil-hd., #10-32NF x 1/2"

(Revised August 1979)



RADIATOR AND MOUNTING

(Revised August 1979)

T-71872'

RADIATOR AND MOUNTING

*Tractors prior to serial No. 13940

**Tractors serial No. 13940 and up

ITEM	PART NO.	QTY.	DESCRIPTION
		* **	
1	70081729	1 -	RADIATOR ASSY. (Order Radiator 70666955)
	70650236	- 1	RADIATOR ASSY. (Order Radiator 70666955)
	70632654	1 -	RADIATOR ASSY. (Order Radiator 70669332, 8 Washer 70092665, and item 14A)
	70650237	- 1	RADIATOR ASSY. (Order Radiator 70669332, 8 Washer 70092665 and item 14A)
	70666832	- 1	RADIATOR ASSY. (Order Radiator 70669332, 8 Washer 70092665, and item 14A)
			NOTE: See pages 104 and 105A for radiator parts.
2	70061671	14 14	SNUBBER, vibration, radiator mounting
3	70061655	6 6	TUBE, spacing, vibration snubber
4	70061656	6 6	WASHER, vibration snubber
5	70656332	6 6	CAPSCREW, radiator mounting
	70904206	6 6	LOCKWASHER, 3/8"
	70023756	2 2	WIRE, locking, 1/16" x 26"
6	70081627	1 1	GASKET, outlet elbow
7	70633790	1 1	ELBOW, radiator outlet
8	70013058	2 2	CAPSCREW, 3/8"NC x 1-1/4"
9	70056320	2 2	CAPSCREW, 3/8"NC x 3"
	70904206	4 4	LOCKWASHER, 3/8"
10	70073539	2 2	HOSE, inlet tube
11	70921914	4 4	CLAMP, hose, 2-5/16" to 3-1/4" diam.
12	70633792	1 1	TUBE, engine inlet
13	70650224	2 2	BAFFLE, air, radiator bottom (For standard radiator)
	70650223	2 2	BAFFLE, air, radiator bottom (For special radiator with armored core)
	70910335	4 4	WASHER, plain, SAE std., 5/16"
14	70650224	2 -	BAFFLE, air, radiator top (For standard radiator)
	70650223	2 -	BAFFLE, air, radiator top (For special radiator with armored core)
	70910335	4 -	WASHER, pin, SAE std., 5/16"
14A	70669533	1 1	GRID, radiator protecting (Special. Used with canted tube radiator when operating under extreme abrasive conditions)
	70927373	6 6	CAPSCREW, 5/16"NC x 7/8"
	70910286	6 6	LOCKWASHER, 5/16"
	70911025	6 6	NUT, 5/16"NC
	70677005	6 6	WASHER, plain
15	70083647	1 1	SCREEN, radiator (Special equipment. Mounts on rear of radiator. Not used with suction-type fan)
	70043646	8 8	CAPSCREW, 5/16"NF x 1-1/4"
	70092665	8 8	WASHER, plain
	70904205	8 8	LOCKWASHER, 5/16"
	70913636	16 16	NUT, 5/16"NF
	70083081	1 1	SCREEN, radiator (Special equipment. Mounts on front of radiator. Not used with push-type fan)
16	70632047	8 8	WASHER, retaining (For 70083647 Screen only)

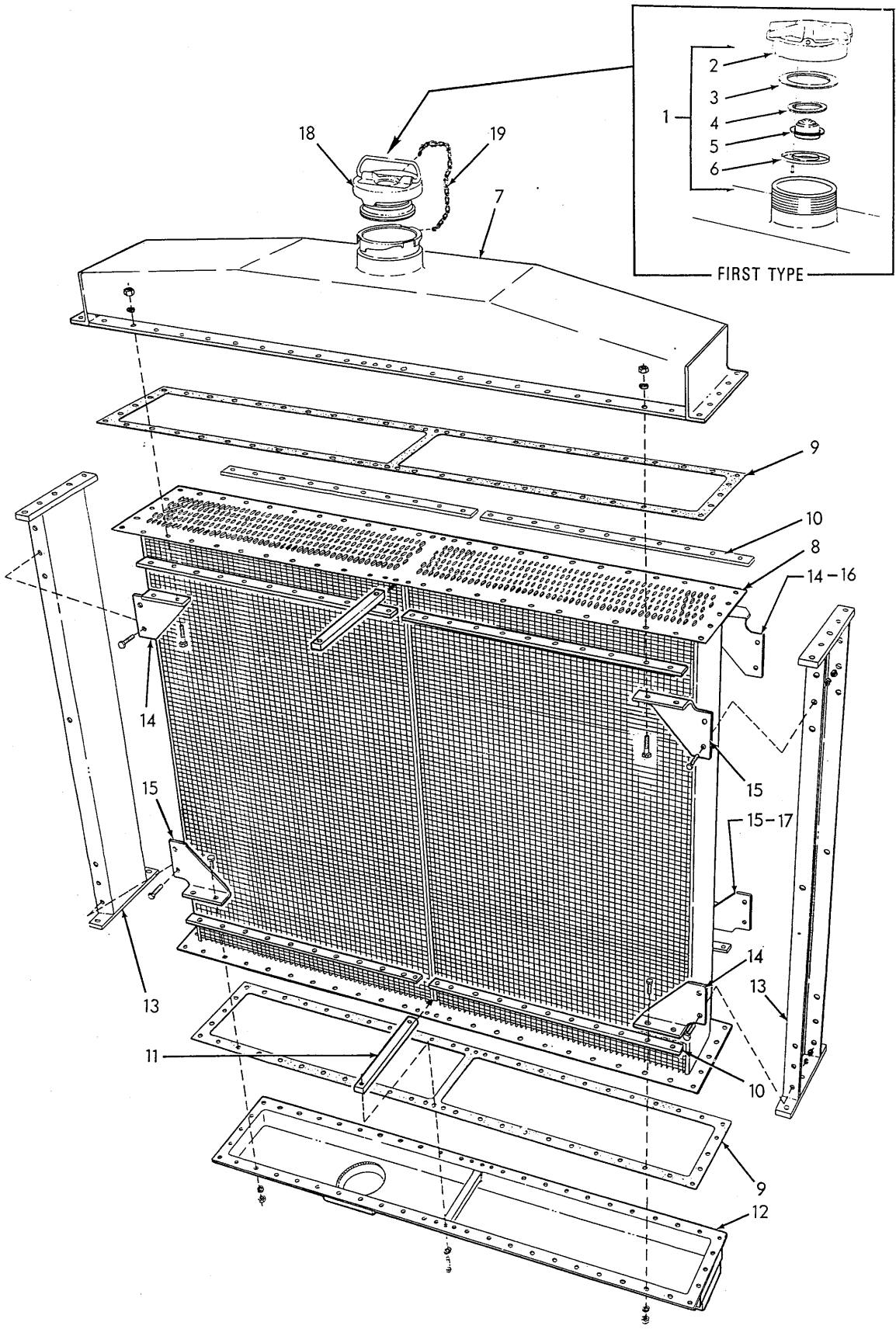
(Continued)

RADIATOR AND MOUNTING (Continued)

ITEM	PART NO.	QTY.	* **	DESCRIPTION
17	70081611	2	2	BAFFLE, air, radiator side
18	70911168	6	6	CAPSCREW, 5/16"NF x 7/8"
	70904205	6	6	LOCKWASHER, 5/16"
	70913636	6	6	NUT, 5/16"NF
19	70092665	6	6	WASHER, plain
20	70081614	1	1	GASKET, radiator inlet
21	70095575	1	1	RING, cushion
22	70076685	2	2	SHIM, adjusting, support ring (1/32" thick. Use as required)
	70076684	1	1	SHIM, adjusting, support ring (1/16" thick. Use as required)
23	70099137	1	1	RING, radiator support
24	70012992	6	6	CAPSCREW, 3/8"NF x 1-1/4"
	70904206	6	6	LOCKWASHER, 3/8"
25	-----	1	-	SUPPORT, radiator (Order 70648299)
	70648299	-	1	SUPPORT, radiator
26	70012742	4	4	CAPSCREW, 3/4"NF x 2-1/4"
27	70061689	4	4	WASHER, plain
28	70639284	1	1	BRACE, radiator support, left
	70911046	2	2	NUT, 7/8"NF
29	70012742	1	1	CAPSCREW, 3/4"NF x 2-1/4"
	70904369	1	1	LOCKWASHER, 3/4"
30	70628958	1	1	BRACE, radiator support, right
	70911046	2	2	NUT, 7/8"NF
31	70012742	1	1	CAPSCREW, 3/4"NF x 2-1/4"
	70904369	1	1	LOCKWASHER, 3/4"
32	70060689	2	2	BOSS, spacing, radiator support brace
33	70082608	1	1	INLET, radiator
34	70035439	4	4	CAPSCREW, 3/8"NC x 1"
	70904206	4	4	LOCKWASHER, 3/8"
35	70067884	2	2	HOSE, inlet tube
36	70921914	4	4	CLAMP, hose, 2-1/4" to 3-1/4" diam.
37	70096031	1	-	TUBE, radiator inlet
	70650233	-	1	TUBE, radiator inlet
38	70092543	1	1	ELBOW, engine outlet
39	70043886	2	2	CAPSCREW, 7/16"NC x 1"
	70904207	2	2	LOCKWASHER, 7/16"
40	74310257	1	1	GASKET, outlet elbow
41	70644960	1	-	GUARD, fan (Tractors prior to #13887)
42	70036034	5	-	CAPSCREW, 3/8"NF x 1"
	70904206	5	-	LOCKWASHER, 3/8"
	70044973	5	-	WASHER, plain
43	70647239	1	1	GUARD, fan (Tractors #13887 and up)
44	70035439	6	6	CAPSCREW, 3/8"NC x 1"
	70904206	6	6	LOCKWASHER, 3/8"
	70044973	6	6	WASHER, plain

(Revised August 1979)

MEMO



RADIATOR PARTS

T-12587

(Revised July 1969)

RADIATOR PARTS

*70081729 RADIATOR ASSY.
 Δ70650236 RADIATOR ASSY.
 *Δ70666955 RADIATOR ASSY.
 **70632654 RADIATOR ASSY.
 ΔΔ70650237 RADIATOR ASSY.
 Δ*70666832 RADIATOR ASSY. } See page 101

ITEM	PART NO.	QUANTITY						DESCRIPTION
		*	Δ	*Δ	**	ΔΔ	Δ*	
1	70058730	1	1	-	1	1	-	CAP ASSY. (Consists of items 2 thru 6)
2	-----	1	1	-	1	1	-	CAP, radiator (Furnished only as part of item 1)
3	70059242	1	1	-	1	1	-	GASKET, radiator cap
4	70059244	1	1	-	1	1	-	GASKET, pressure valve
5	70059245	1	1	-	1	1	-	VALVE, pressure
6	70059243	1	1	-	1	1	-	RING, pressure valve retaining
	70914782	3	3	-	3	3	-	SCREW, machine, rd-hd., brass, #5-40 x 3/8"
7	-----	1	-	-	1	-	-	TANK, top (Discontinued. Order Tank 70650225 and rework Radiator Support per Service Bulletin SP-106)
	70650225	-	1	-	-	1	-	TANK, top
	70666831	-	-	1	-	-	1	TANK, top
	70903773	54	54	54	54	54	54	CAPSCREW, 5/16"NC x 1-1/4"
	70904205	54	54	54	54	54	54	LOCKWASHER, 5/16"
	70911025	54	54	54	54	54	54	NUT, 5/16"NC
8	70686367	1	1	1	-	-	-	CORE (Standard)
	70669331	1	1	1	-	-	-	CORE (Special. Heavy in-line type for severe service)
	70632647	-	-	-	1	1	1	CORE
9	70083599	2	2	2	2	2	2	GASKET, core
10	70083072	8	8	8	8	8	8	CLAMP, core flange
11	70083065	2	2	2	2	2	2	CLAMP, core, center
	70903772	4	4	4	4	4	4	CAPSCREW, 5/16"NC x 1"
	70904205	4	4	4	4	4	4	LOCKWASHER, 5/16"
12	70083068	1	1	1	1	1	1	TANK, bottom
	70903773	54	54	54	54	54	54	CAPSCREW, 5/16"NC x 1-1/4"
	70904205	54	54	54	54	54	54	LOCKWASHER, 5/16"
	70911025	48	48	48	48	48	48	NUT, 5/16"NC
13	70083073	2	2	2	2	2	2	SIDE
14	70083069	4	4	4	2	2	2	GUSSET, corner
	70903772	8	8	8	4	4	4	CAPSCREW, 5/16"NC x 1"
	70904205	8	8	8	4	4	4	LOCKWASHER, 5/16"
	70911025	8	8	8	4	4	4	NUT, 5/16"NC

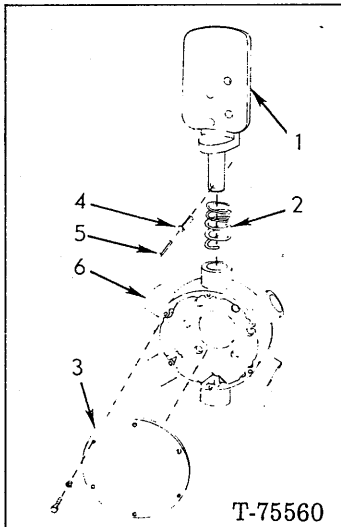
(Continued)

RADIATOR PARTS (Continued)

ITEM	PART NO.	*	QUANTITY					DESCRIPTION
			Δ	*Δ	**	ΔΔ	Δ*	
15	70083070	4	4	4	2	2	2	GUSSET, corner
	70903772	8	8	8	4	4	±	CAPSCREW, 5/16"NC x 1"
	70904205	8	8	8	4	4	±	LOCKWASHER, 5/16"
	70911025	8	8	8	4	4	±	NUT, 5/16"NC
16	70642254	-	-	-	2	2	2	GUSSET, corner
	70903772	-	-	-	4	4	±	CAPSCREW, 5/16"NC x 1"
	70904205	-	-	-	4	4	±	LOCKWASHER, 5/16"
	70911025	-	-	-	4	4	±	NUT, 5/16"NC
17	70642255	-	-	-	2	2	2	GUSSET, corner
	70903772	-	-	-	4	4	±	CAPSCREW, 5/16"NC x 1"
	70904205	-	-	-	4	4	±	LOCKWASHER, 5/16"
	70911025	-	-	-	4	4	±	NUT, 5/16"NC
18	70654096	-	-	1	-	-	1	CAP ASSEMBLY (Includes gasket)
19	70654098	-	-	1	-	-	1	CHAIN, filler cap

REVERSIBLE FAN PARTS
(Huber)

USAGE: See page 107

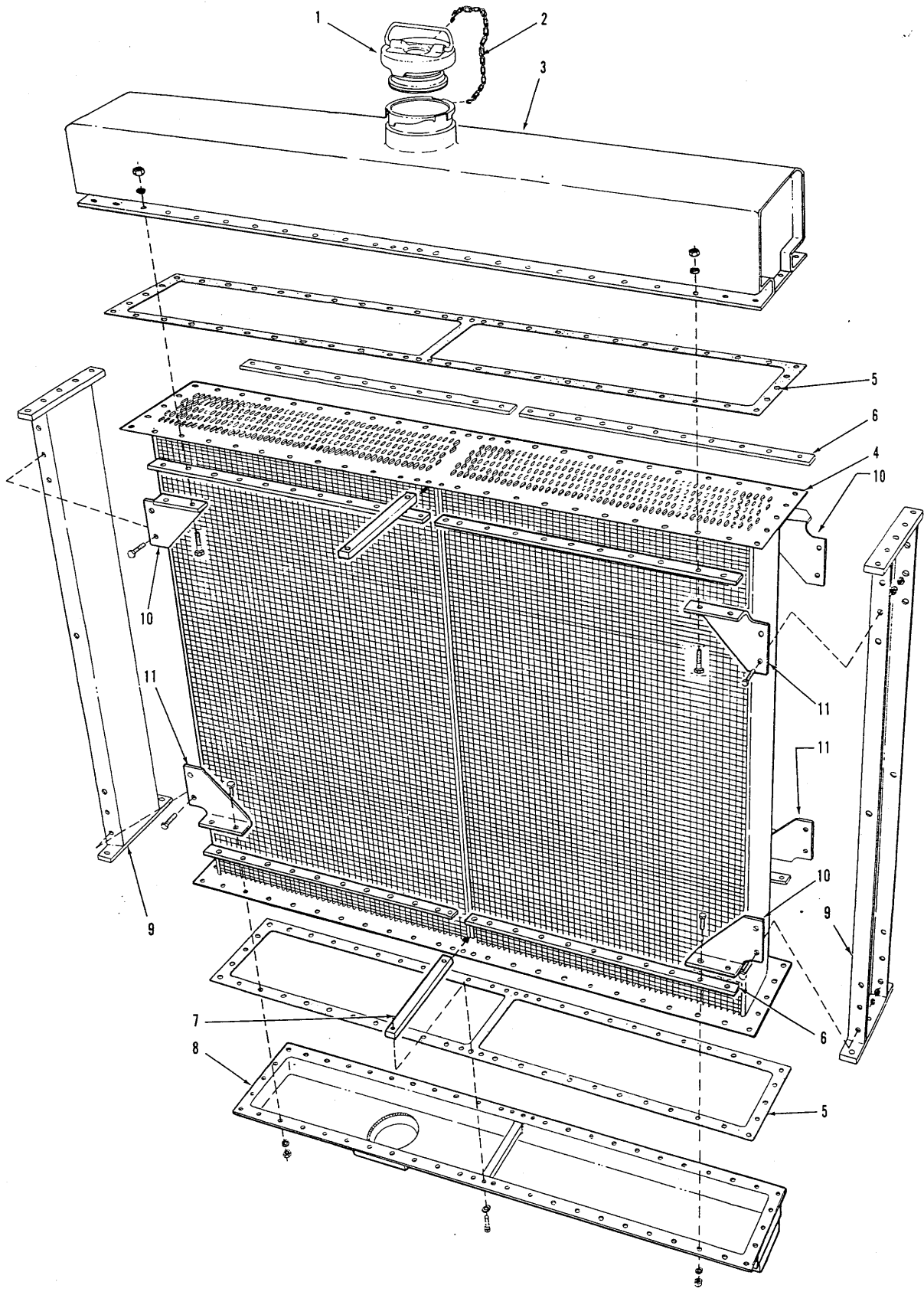


ITEM	PART NO.	QTY.	DESCRIPTION
-	70666518	1	FAN ASSY. (Includes items 1 thru 6)
1	-----	6	BLADE (See NOTE below)
2	70668595	6	SPRING
3	70668592	1	COVER, dust
	70926339	6	CAPSCREW, #10-24 x 5/16" (Includes lockwasher)
4	70918623	6	PIN, blade retaining, outer(3/8"O.D.)
5	70927229	6	PIN, blade retaining, inner(7/32"O.D.)
6	-----	1	HUB (See NOTE below)

NOTE: Blade and Hub replacements require precision balancing. Return complete fan to HUBER REVERSIBLE FAN CO., 2103 Hershey Rd., Erie, PA 16509.

MEMO

105B



RADIATOR PARTS

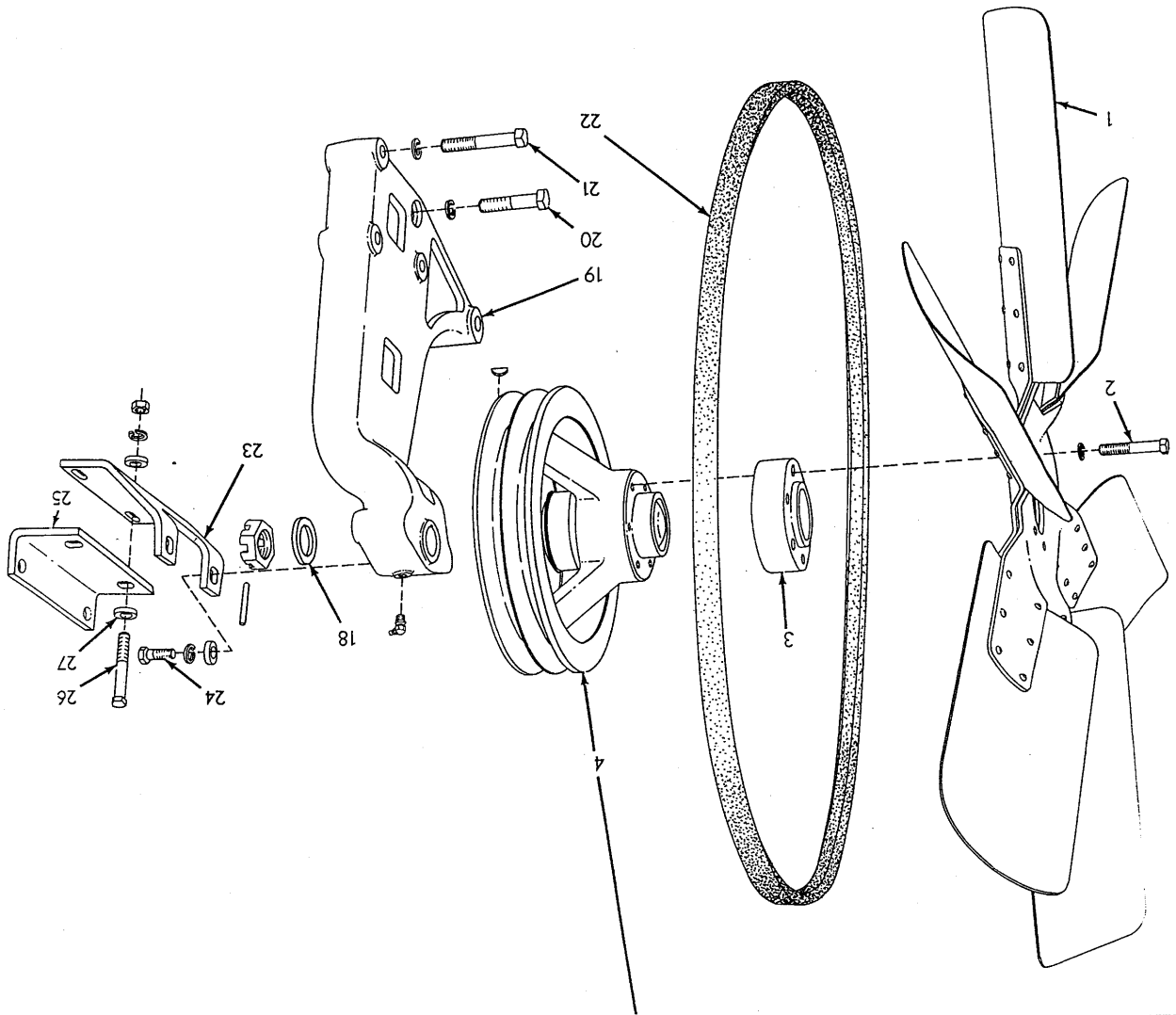
T-12587

RADIATOR PARTS

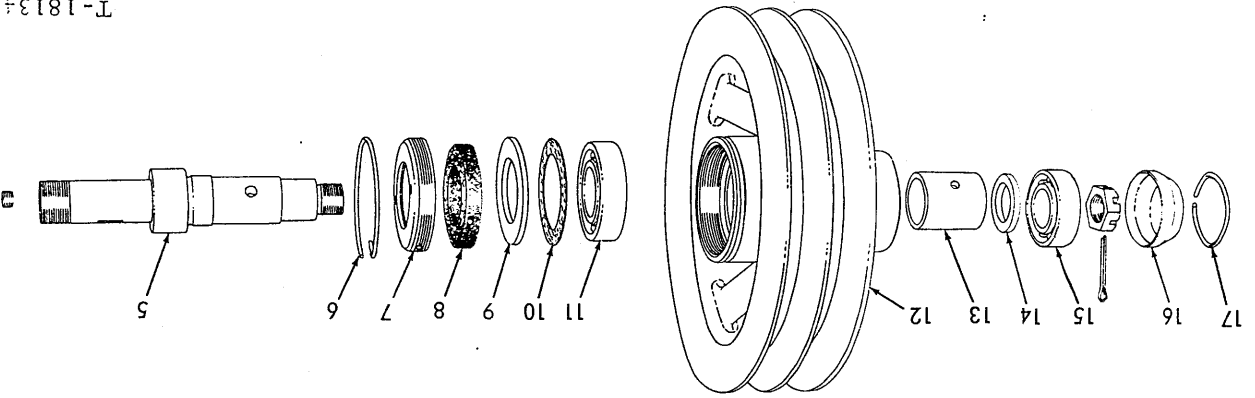
USAGE: Service replacement

ITEM	PART NO.	QTY.	DESCRIPTION
-	70666955	-	RADIATOR ASSY. (Staggered tubes. Copper-finned) (See page 101)
-	70669332	-	RADIATOR ASSY. (Canted tubes. Steel-finned) (See page 101)
1	70654096	1	CAP ASSY., filler
	70682843	1	GASKET, cap
2	70654098	1	CHAIN, filler cap
3	70666831	1	TANK
	70922843	56	CAPSCREW, 5/16"NC x 1-1/4"
	70910286	56	LOCKWASHER, 5/16"
	70911025	56	NUT, 5/16"NC
4	70686367	1	CORE ASSY. (Radiator 70666955)
	70686368	1	CORE ASSY. (Radiator 70669332)
5	70083599	2	GASKET, core
6	70668276	8	CLAMP, core flange
7	70083065	2	CLAMP, core center (Used with Radiator 70666955)
	70903772	4	CAPSCREW, 5/16"NC x 1"
	70904205	4	LOCKWASHER, 5/16"
8	70083068	1	TANK, bottom
	70922843	56	CAPSCREW, 5/16"NC x 1-1/4"
	70910286	56	LOCKWASHER, 5/16"
	70911025	50	NUT, 5/16"NC
9	70083073	2	SIDE
10	70083069	4	GUSSET, corner (Upper left and lower right)
	70921566	8	CAPSCREW, 5/16"NC x 1"
	70910286	8	LOCKWASHER, 5/16"
	70911025	8	NUT, 5/16"NC
11	70083070	4	GUSSET, corner (Upper right and lower left)
	70921566	8	CAPSCREW, 5/16"NC x 1"
	70910286	8	LOCKWASHER, 5/16"
	70911025	8	NUT, 5/16"NC

T-41829



T-18134



FAN

ITEM	PART NO.	QTY.	DESCRIPTION
1	70685624	1	FAN(Push type)(Standard equipment)
	70065777	1	FAN(Suction type)(Special equipment)
	70666518	1	FAN(Reversible)(Special equipment)(See page 105A)
2	70921076	6	CAPSCREW, 3/8"NC x 1-1/4" (Original equipment)
	70916273	6	CAPSCREW, 3/8"NC x 1-3/4" (Service replacement)
	70915990	6	CAPSCREW, 3/8"NC x 2-3/4"(For suction fan)
	70922763	6	CAPSCREW, 3/8"NC x 1"(For reversible fan)
	70910287	6	LOCKWASHER, 3/8"
3	70083461	1	SPACER, fan (1-9/32" wide)(For suction fan only)
	70669548	1	SPACER, fan (1/2" wide)(For push fan only)
4	-----	1	PULLEY ASSY. (Original equipment. Order PULLEY ASSY. 70691913, SPACER 70669548 and 6 CAPSCREW 70916273)
	70691913	1	PULLEY ASSY. (Service replacement)
	70913798	1	NUT, jam, slotted, 1-1/4"NF
	70915692	1	PIN, spring, 1/4" x 1-7/8"
	70905122	1	KEY, #7 woodruff, 1/8" x 1-3/4"
5	70082829	1	SPINDLE(Original equipment)(3/4"NF thread)
	70910230	1	PLUG, pipe, slotted-hd., 1/2"NPT
	70915943	1	NUT, jam, slotted, 3/4"NF
	70900808	1	PIN, cotter, 1/8" x 1-1/2"
	70676698	1	SPINDLE(Service replacement)(7/8"NF thread)
	70919108	1	NUT, elastic stop, 7/8"NF
6	74371707	1	RING, snap fan pulley
7	74640973	1	RETAINER, spindle sealing washer
8	70052106	1	WASHER, spindle sealing (cork)
9	74640975	1	WASHER, retaining, rear bearing
10	74640976	1	GASKET, bearing retaining washer(Original Pulley Assy. only)
11	70075203	1	BEARING, ball, rear
12	-----	1	PULLEY (Original equipment. Has 2 grooves)(Order PULLEY 70691912, SPACER 70669548, 6 CAPSCREW 70916273)
	70691912	1	PULLEY(Service replacement)(Has 3 grooves)
13	70051715	1	SLEEVE, spacing, spindle bearings
14	74640978	1	WASHER, spacing, front bearing
15	74253862	1	BEARING, ball, front
16	70088561	1	CAP, pulley
17	74042081	1	RING, snap, cap retaining
18	70067962	1	WASHER, plain
19	70665806	1	BRACKET, fan mounting
	70915274	1	FITTING, lubricating, 45°, 1/8"NPT
20	70924864	1	CAPSCREW, 1/2"NC x 2-1/4"
21	70925135	3	CAPSCREW, 1/2"NC x 3-1/4"
	70912441	4	LOCKWASHER, 1/2"
22	70675229	2	BELT, fan (Consists of 2 matched belts)
23	70641090	1	BRACKET, fan bracing, front

} For push fan

} Each includes items 5 thru 17

(Continued)

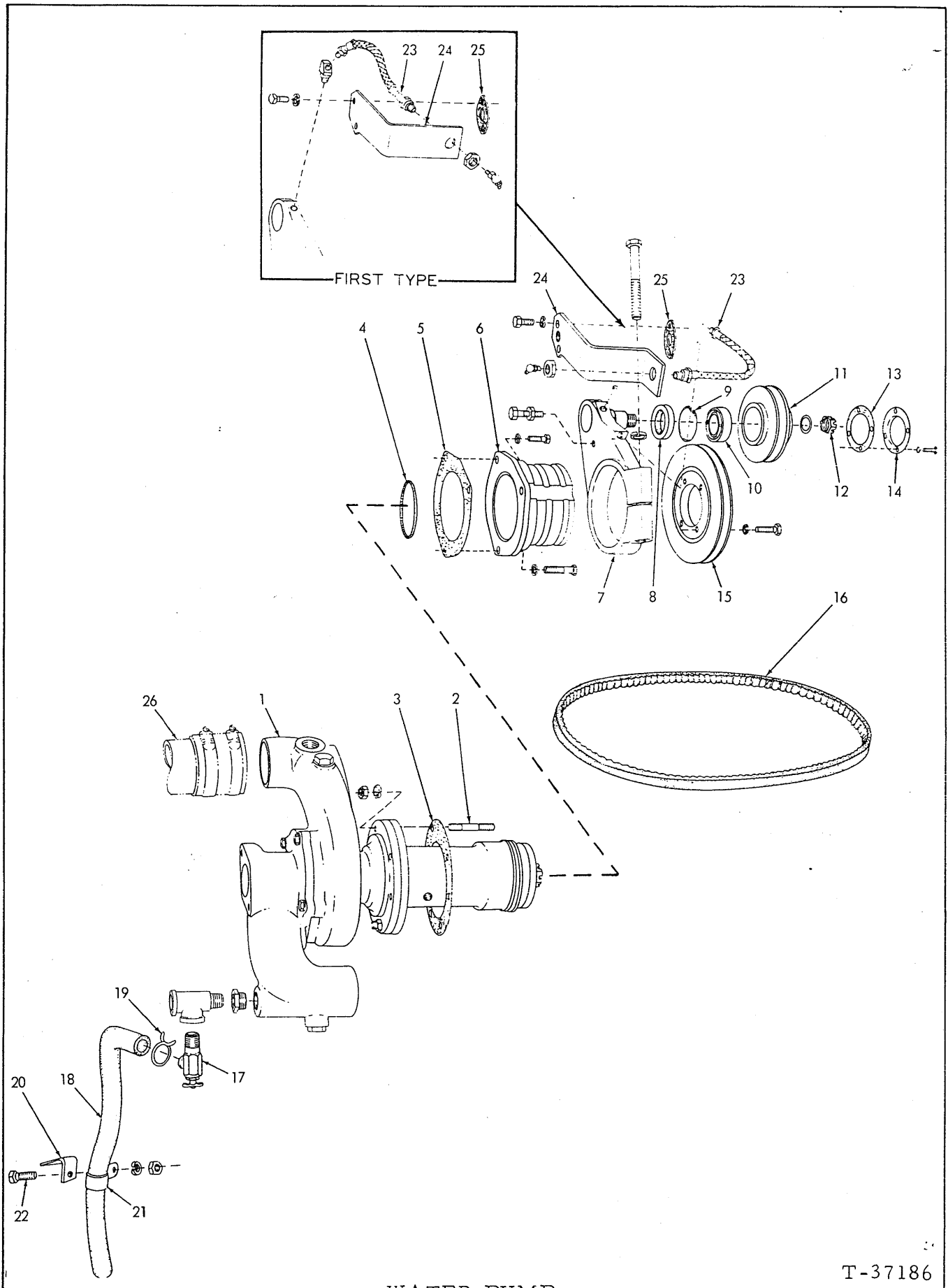
FAN (Continued)

ITEM	PART NO.	QTY.	DESCRIPTION
24	70035190	2	CAPSCREW, 1/2"NC x 1-1/2"
	70912441	2	LOCKWASHER, 1/2"
	70064531	2	WASHER, plain
25	74387920	1	BRA CKET, fan bracing, rear
26	70035067	2	CAPSCREW, 1/2"NF x 2"
27	70064531	4	WASHER, plain
	70904208	2	LOCKWASHER, 1/2"
	70911043	2	NUT, 1/2"NF

MEMO

107B

(Added August 1979)



WATER PUMP

T-37186

WATER PUMP

USAGE: Engines prior to serial number 21-00761

* Engines prior to serial No. 21-06709 excluding 21-06706
(1 1/16" belt)

** Engines serial No. 21-06709 and up including 21-06706 (1/2" belt)

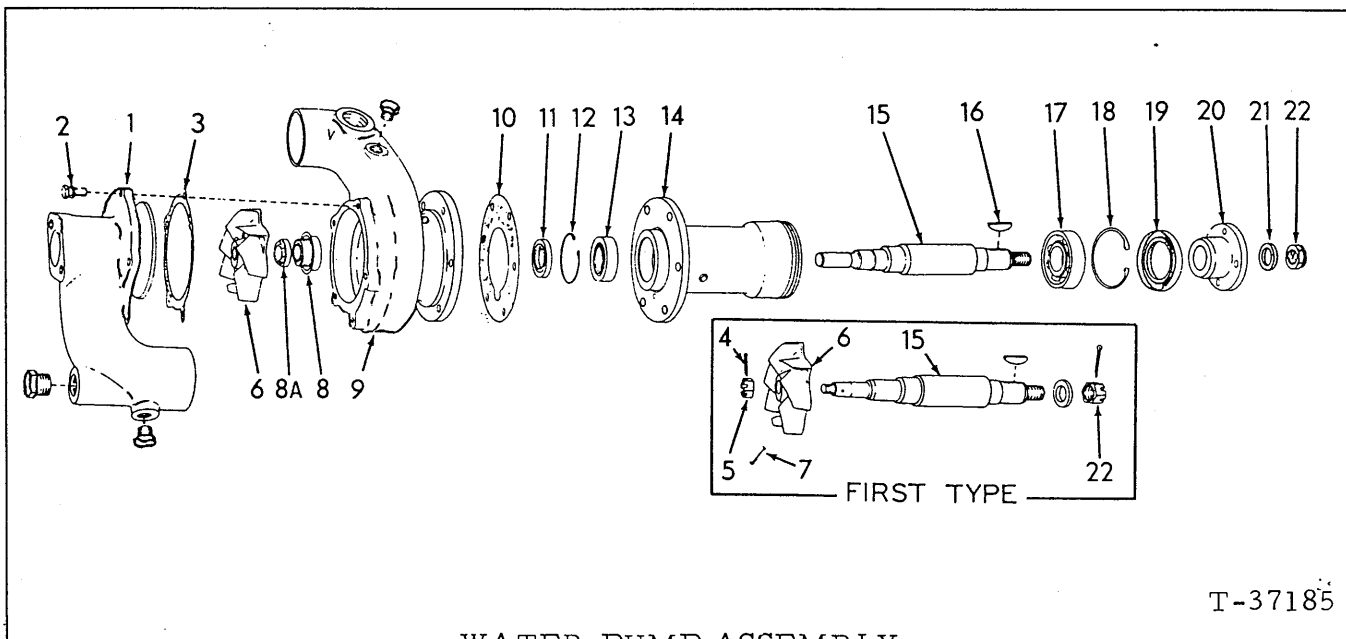
ITEM	PART NO.	QTY.		DESCRIPTION
		*	**	
1	74387607	1	1	PUMP ASSEMBLY (See page 111 for parts)
	921073	1	1	PLUG, pipe, hex-hd., 1"NPT (Used prior to engine #21-07460)
2	74513810	5	5	STUD, attaching
	70904206	5	5	LOCKWASHER, 3/8"
	70910123	5	5	NUT, 3/8"NF
3	74376398	1	1	□GASKET, pump mounting
4	70923935	1	1	□O-RING, pump body
5	74361740	1	1	□GASKET, idler support
6	74386855	1	1	SUPPORT, belt tightening idler
	70919224	1	1	CAPSCREW, 3/8"NC x 1-1/8"
	70912069	2	2	CAPSCREW, 3/8"NC x 2-1/2"
	70904206	3	3	LOCKWASHER, 3/8"
7	74388518	1	-	BRACKET, idler pulley
	70915275	1	-	FITTING, lubricating, 65°, 1/8"NPT (Engines prior to #21-05040)
	74388339	-	1	□BRACKET, idler pulley
	70919134	-	1	□PLUG, pipe, hex-hd., 1/8"NPT
	70916320	1	1	CAPSCREW, 1/2"NC x 4" (clamp)
	70904208	1	1	LOCKWASHER, 1/2"
	70916314	1	1	CAPSCREW, 1/2"NC x 2" (adjustment)
	70910510	1	1	NUT, jam, 1/2"NC
8	74254670	1	1	SEAL, oil, idler pulley
9	74254100	1	1	RING, snap, idler pulley
10	74255031	1	1	BEARING, ball, idler pulley
11	74387294	1	-	PULLEY, idler
	74388253	-	1	□PULLEY, idler
12	70917626	1	1	NUT, self-locking, 3/4"NF
	70910819	1	1	WASHER, plain
13	74347752	1	1	GASKET, idler pulley cover
14	74347751	1	1	COVER, idler pulley
	70915343	4	4	CAPSCREW, 1/4"NC x 5/8"
	70904204	4	4	LOCKWASHER, 1/4"
15	74386824	1	-	PULLEY
	70916225	4	-	CAPSCREW, 3/8"NF x 1"
	70904206	4	-	LOCKWASHER, 3/8"
	74391593	-	1	□PULLEY
	74751643	-	4	□BOLT, self-locking, 3/8"NF x 1" (Early units)
	74752002	-	4	BOLT, self-locking, 3/8"NF x 1/2" (Late units)

(Continued)

(Revised August 1979)

WATER PUMP (Continued)

ITEM	PART NO.	QTY.	DESCRIPTION
		* **	
16	74388434	1 -	BELT, pump driving
	74391351	- 1	□ BELT, pump driving
17	70089894	1 1	COCK, water drain
	70913257	1 1	TEE, pipe, service, 3/8"NPT
	70904271	1 1	BUSHING, pipe reducing, 1/2"NPT to 3/8"NPT
18	70643744	1 1	HOSE, water drain
19	70089107	1 1	CLAMP, hose, spring type, 15/16" diam.
20	70096208	1 1	ANGLE, supporting, water drain hose
21	70069657	1 1	CLIP, drain hose
22	70035167	1 1	CAPSCREW, 3/8"NF x 7/8"
	70904206	1 1	LOCKWASHER, 3/8"
	70911041	1 1	NUT, 3/8"NF
23	70605782	1 1	HOSE, lubricating (Effective with engine #21-05040)
	70922194	1 -	ELBOW, adapting, 60°, 1/8"NPT male and female
	70915275	1 1	FITTING, lubricating, 65°, 1/8"NPT
	70903574	1 1	NUT, jam, 5/8"NC
24	74387993	1 -	BRACKET, lubricating hose (Effective with engine #21-05040)
	74388342	- 1	□ BRACKET, lubricating hose (21000H engines)
	74390887	- 1	BRACKET, lubricating hose (Has tapped hole for oil filter return line)(21000-Mark II engines)
	70915408	2 2	CAPSCREW, 3/8"NC x 3/4"
	70904206	2 2	LOCKWASHER, 3/8"
25	74371027	1 1	□ GASKET, lubricating hose bracket (Effective with engine #21-05040)
26	-----	1 1	HOSE, (See WATER INLET MANIFOLD AND HEAT EXCHANGER)



T-37185

WATER PUMP ASSEMBLY

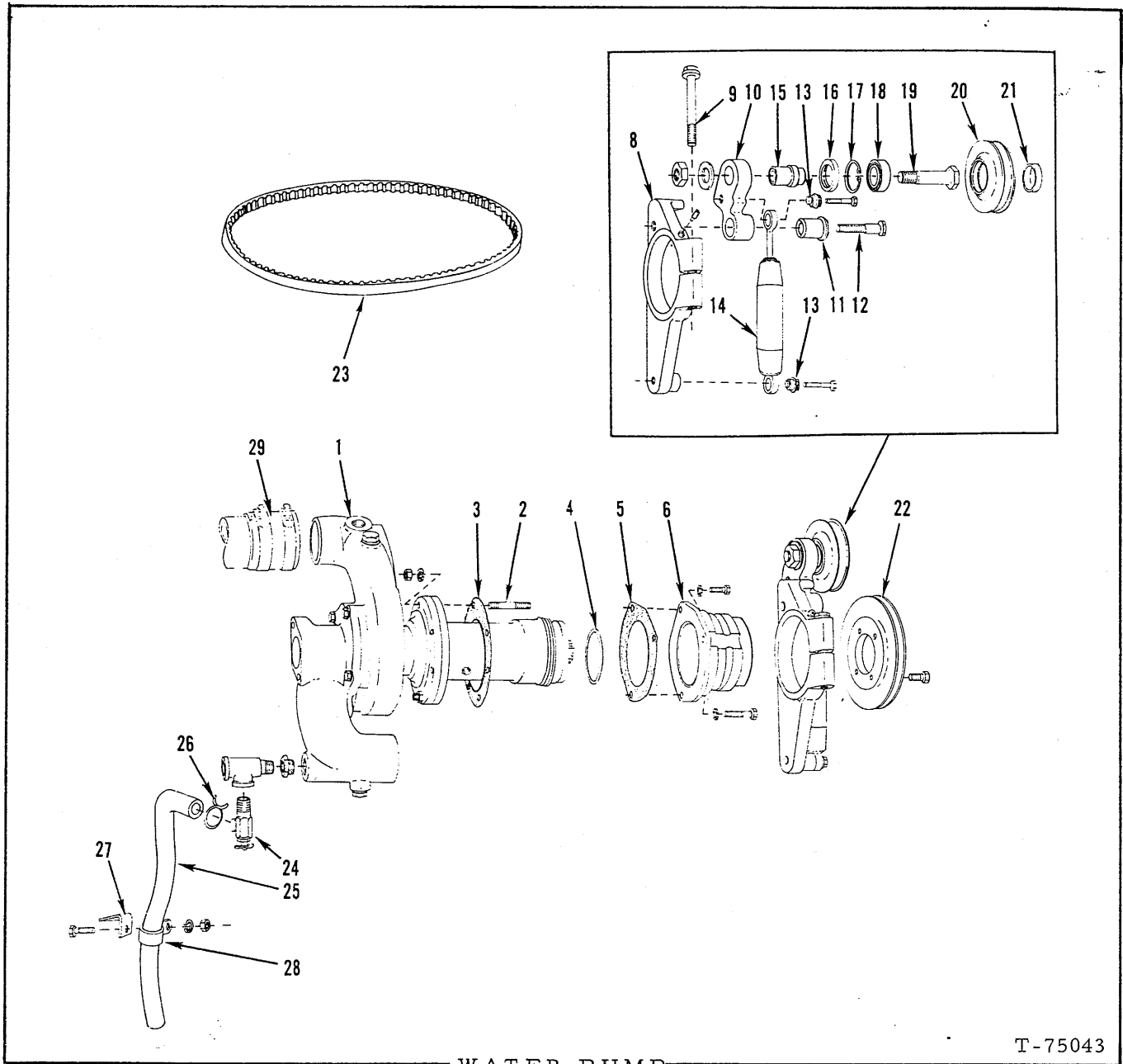
WATER PUMP ASSEMBLY

USAGE: See pages 109 and 111A

* Original Equipment
 ** Service Replacement - First type
 *** Service Replacement - Second type

ITEM	PART NO.	QUANTITY			DESCRIPTION
		*	**	***	
-	74387607	1	-	-	PUMP ASSY., water (Includes items 1 thru 22)
	74394451	-	1	-	PUMP ASSY., water (Includes items 1,2,3,6 and 8 thru 22)
	74396166	-	-	1	PUMP ASSY., water (Includes items 1,2,3,6 and 8 thru 22)
1	74375682	1	1	1	COVER, pump inlet
	70920333	1	1	1	PLUG, pipe, hex-hd., 3/8"NPT
	70920416	1	1	-	PLUG, pipe, hex-hd., 1/2"NPT
2	70923325	4	4	4	CAPSCREW, 5/16"NC x 7/8"
	70917356	4	4	4	LOCKWASHER, 5/16"
3	74372421	1	1	1	GASKET, pump inlet cover
4	74041097	1	-	-	PIN, cotter, impeller retaining nut
5	74375686	1	-	-	NUT, impeller retaining
6	74389359	1	-	-	IMPELLER ASSY. (Includes ceramic insert)
	-----	-	1	-	IMPELLER ASSY. (Includes ceramic insert) (Order item 23)
	-----	-	-	1	<input type="checkbox"/> IMPELLER (Order item 23)
7	74375694	1	-	-	PIN, impeller, retaining
8	-----	1	1	-	SEAL ASSY. (Order item 23)
	-----	-	-	1	<input type="checkbox"/> SEAL ASSY. } Order item 24
8A	-----	-	-	1	<input type="checkbox"/> SEAL, ceramic }
9	-----	1	1	1	BODY (Not serviced separately)
	70920333	1	1	1	PLUG, pipe, hex-hd., 3/8"NPT
10	74387051	1	1	1	GASKET, pump body
11	74387605	1	1	1	SEAL, oil, rear end
12	70927801	1	1	1	RING, snap, rear bearing
13	74255338	1	1	1	BEARING, roller (rear)
14	74387050	1	1	1	SLEEVE, exterior
15	-----	1	-	-	SHAFT (Order item 23)
	74393325	-	1	1	SHAFT
16	74660677	1	1	1	KEY, pump shaft
17	73007474	1	1	1	BEARING, ball (front)
18	70927803	1	1	1	RING, snap, front bearing
19	74254948	1	1	1	SEAL, oil, front end
20	74386924	1	1	1	HUB, drive
21	74375691	1	1	1	WASHER, hub, retaining
22	70912331	1	-	-	NUT, slotted, 3/4"NF
	70900808	1	-	-	PIN, cotter, 1/8" x 1-1/2"
	70918182	-	1	1	NUT, self-locking, 3/4"NF (plated)
23	74062269	-	1	1	IMPELLER AND SEAL KIT (Includes items 6,8,8A and Instruction Sheet)
24	74062271	-	-	1	SEAL KIT, (Includes items 8,8A and Instruction Sheet)

Component of item 23



WATER PUMP

T-75043

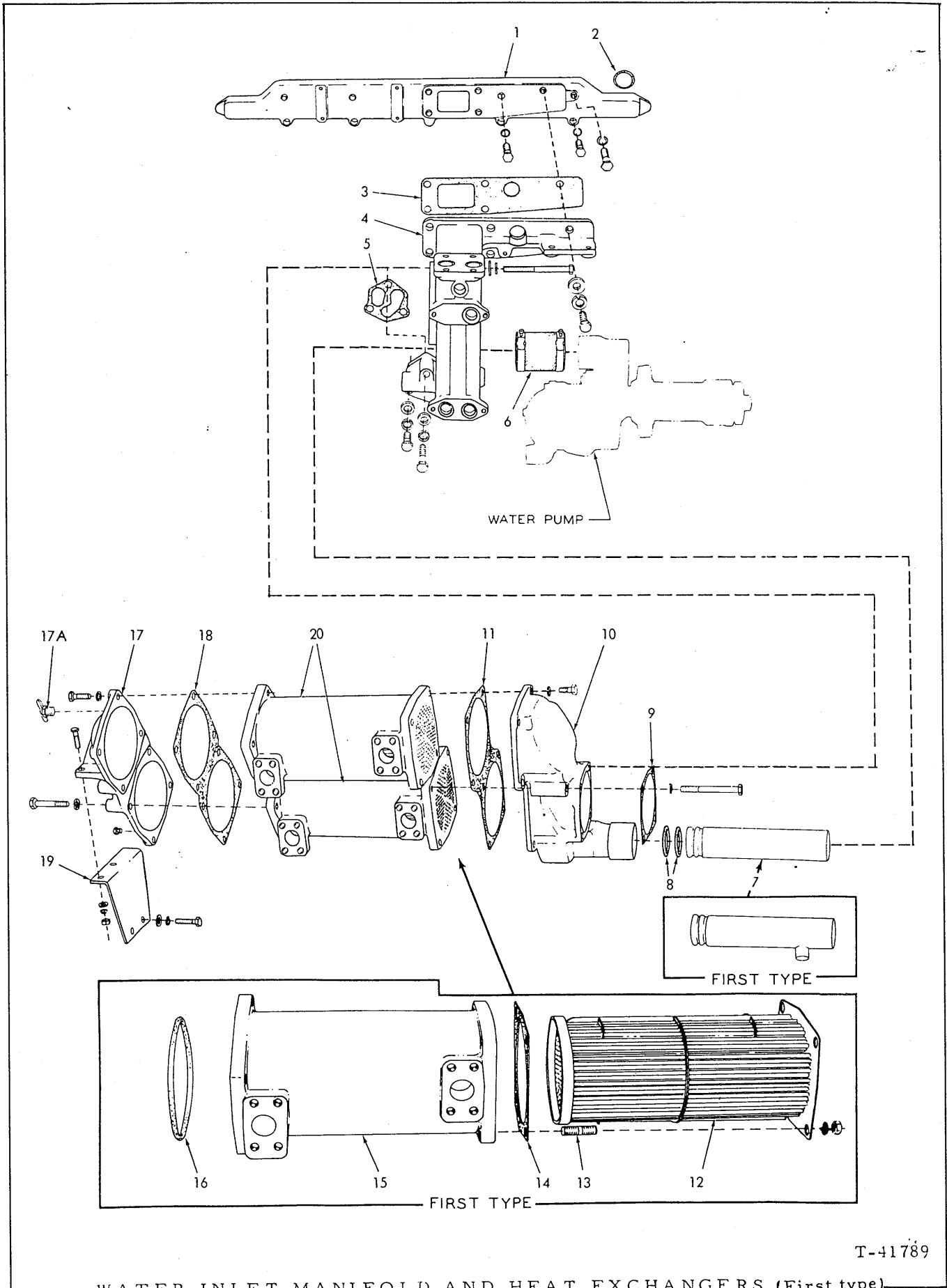
USAGE: Engines serial No. 21-09761 and up

ITEM	PART NO.	QTY.	DESCRIPTION
1	74387607	1	PUMP ASSY. (See page 111 for parts)
2	74513810	5	STUD, attaching
	70904206	5	LOCKWASHER, 3/8"
	70910123	5	NUT, 3/8"NF
3	74376398	1	□GASKET, pump mounting
4	70923935	1	□O-RING, pump body
5	74361740	1	□GASKET, idler support

(Continued)

WATER PUMP (Continued)

ITEM	PART NO.	QTY.	DESCRIPTION
6	74391003	1	SUPPORT, belt tightening idler
	70919224	1	CAPSCREW, 3/8"NC x 1-1/8"
	70912069	2	CAPSCREW, 3/8"NC x 2-1/2"
	70904206	3	LOCKWASHER, 3/8"
8	74391950	1	BRACKET, idler mounting
	70913683	1	SETSCREW, hex-socket, dog-pt., 3/8"NC x 1"
9	70924863	1	SCREW, bracket clamping
10	74391949	1	ARM ASSY., idler (Includes item 11)
11	74391933	1	BUSHING, idler arm pivot (flex-type)
12	74391955	1	CAPSCREW, idler arm retaining
13	74391934	2	BUSHING, damper mounting (flex-type)
14	74391938	1	DAMPER ASSY. (Includes item 13)
	70919225	2	CAPSCREW, 3/8"NC x 1-3/8"
15	74390992	1	SHAFT, idler pulley
16	74255839	1	SEAL, oil, idler pulley
17	74254100	1	RING, snap, idler pulley
18	74391154	1	BEARING, ball, idler pulley
19	74390655	1	BOLT, idler pulley
	70910847	1	NUT, jam, 3/4"NF
	70923421	1	WASHER, plain
20	74390995	1	PULLEY, idler
21	74255110	1	CAP, idler pulley
22	74391593	1	PULLEY
	74752002	4	BOLT, self-locking, 3/8"NF x 1/2"
23	74391351	1	BELT, pump driving
24	70089894	1	COCK, water drain
	70913257	1	TEE, pipe, service, 3/8"NPT
	70904271	1	BUSHING, pipe reducing, 1/2"NPT to 3/8"NPT
25	70643744	1	HOSE, water drain
26	70089107	1	CLAMP, hose, spring type, 15/16" diam.
27	70096208	1	ANGLE, supporting, water drain hose
28	70069657	1	CLIP, drain hose
	70035167	1	CAPSCREW, 3/8"NF x 7/8"
	70904206	1	LOCKWASHER, 3/8"
	70911041	1	NUT, 3/8"NF
29	-----	1	HOSE (See WATER INLET MANIFOLD AND HEAT EXCHANGER)



T-41789

WATER INLET MANIFOLD AND HEAT EXCHANGERS (First type)

(Revised August 1979)

WATER INLET MANIFOLD AND HEAT EXCHANGERS

USAGE: 21000H engines only

* Engines prior to serial No. 21-06927

** Engines serial No. 21-06927 and up

ITEM	PART NO.	QTY.		DESCRIPTION
		*	**	
1	74395002	1	1	MANIFOLD, water inlet
	70919231	4	4	CAPSCREW, 1/2"NC x 1-7/8"
	70916317	3	3	CAPSCREW, 1/2"NC x 2-3/4"
	70915969	1	1	CAPSCREW, 1/2"NC x 3" (Also attaches water filter hose bracket)
	70904208	8	8	LOCKWASHER, 1/2"
2	70923576	12	12	□O-RING, water inlet manifold
3	74389291	1	1	□GASKET, water and oil manifold
4	74377455	1	-	MANIFOLD ASSEMBLY, water and oil (Includes PLUGS 70904224) (Used prior to engine #21-05752)
	70904224	2	-	PLUG, pipe, ctsk-hd., 3/4"NPT
	-----	1	-	MANIFOLD, water and oil (Engines #21-05752 thru #21-06508. Order MANIFOLD 74388147 and BONNET 74389840)
	-----	1	1	MANIFOLD, water and oil (Effective with engine #21-06509) (Order 1 Gasket 74389635, 1 Manifold 74393703, 1 Bracket 74393708 and 4 O-ring 74255631)
	70916311	5	5	CAPSCREW, 1/2"NC x 1-1/4"
	70915987	2	2	CAPSCREW, 1/2"NC x 1-1/2"
	70914399	1	-	CAPSCREW, 1/2"NC x 3-3/4" (Used prior to engine #21-05752)
	70916320	1	1	CAPSCREW, 1/2"NC x 4" (Effective with engine #21-05752)
	70904208	8	8	LOCKWASHER, 1/2"
	70912333	8	8	WASHER, plain
5	74386495	1	1	□GASKET, manifold to block
6	74662263	1	1	HOSE, heat exchanger to water pump
	70922199	2	2	CLAMP, hose, 2-9/16" to 3-9/16"
7	74387510	1	1	TUBE, pump to bonnet (Used prior to engine #21-07460)
	74388185	-	1	TUBE, pump to bonnet (Effective with engine #21-07460)
8	70923651	2	2	□O-RING, bonnet tube
9	74371160	1	1	□GASKET, heat exchanger adaptor
10	74395447	1	1	ADAPTOR, heat exchanger
	70919294	2	2	CAPSCREW, 1/2"NC x 4-1/4" } To Exchanger
	70915987	-	6	CAPSCREW, 1/2"NC x 1-1/2" }
	70916322	4	4	CAPSCREW, 1/2"NC x 5" (To Manifold)
	70904208	6	12	LOCKWASHER, 1/2"
	70916009	4	4	WASHER, plain
11	74389678	1	1	□GASKET, heat exchanger adaptor
12	-----	2	-	TUBE-BUNDLE, heat exchanger (Order item 20)
13	74367187	6	-	STUD, heat exchanger housing
	70910195	6	-	NUT, 1/2"NF
	70904208	6	-	LOCKWASHER, 1/2"
14	74386856	2	-	□GASKET, heat exchanger

(Continued)

(Revised August 1979)

WATER INLET MANIFOLD AND HEAT EXCHANGERS (Continued)

ITEM	PART NO.	QTY.		DESCRIPTION	
		*	**		
15	74387259	2	-	HOUSING, heat exchanger	
16	70923605	2	-	O-RING, heat exchanger	
17	74394949	1	1	BONNET, heat exchanger (For engines prior to #21-07179 also	
	70919840	1	1	PLUG, pipe, hex-hd., 1/4"NPT	order item 17A)
	70915987	4	4	CAPSCREW, 1/2"NC x 1-1/2"	} To heat exchanger
	70915969	4	4	CAPSCREW, 1/2"NC x 3"	
	70904208	8	8	LOCKWASHER, 1/2"	} To supporting bracket
	70914847	2	2	CAPSCREW, 3/8"NC 1-1/2"	
	70911115	2	2	WASHER, plain, SAE std., 3/8"	
	70904206	2	2	LOCKWASHER, 3/8"	
	70910324	2	2	NUT, 3/8"NC	
17A	74255363	-	1	COCK, vent, heat exchanger bonnet (Effective with engine #21-07179)	
18	74389676	1	1	GASKET, heat exchanger bonnet	
19	74387453	1	1	BRACKET, supporting, heat exchanger	
	70922290	2	2	CAPSCREW, 1/2"NC x 2"	
	70910244	2	2	WASHER, plain, SAE std., 1/2"	
	70904208	2	2	LOCKWASHER, 1/2"	
20	74389045	-	2	EXCHANGER, heat	

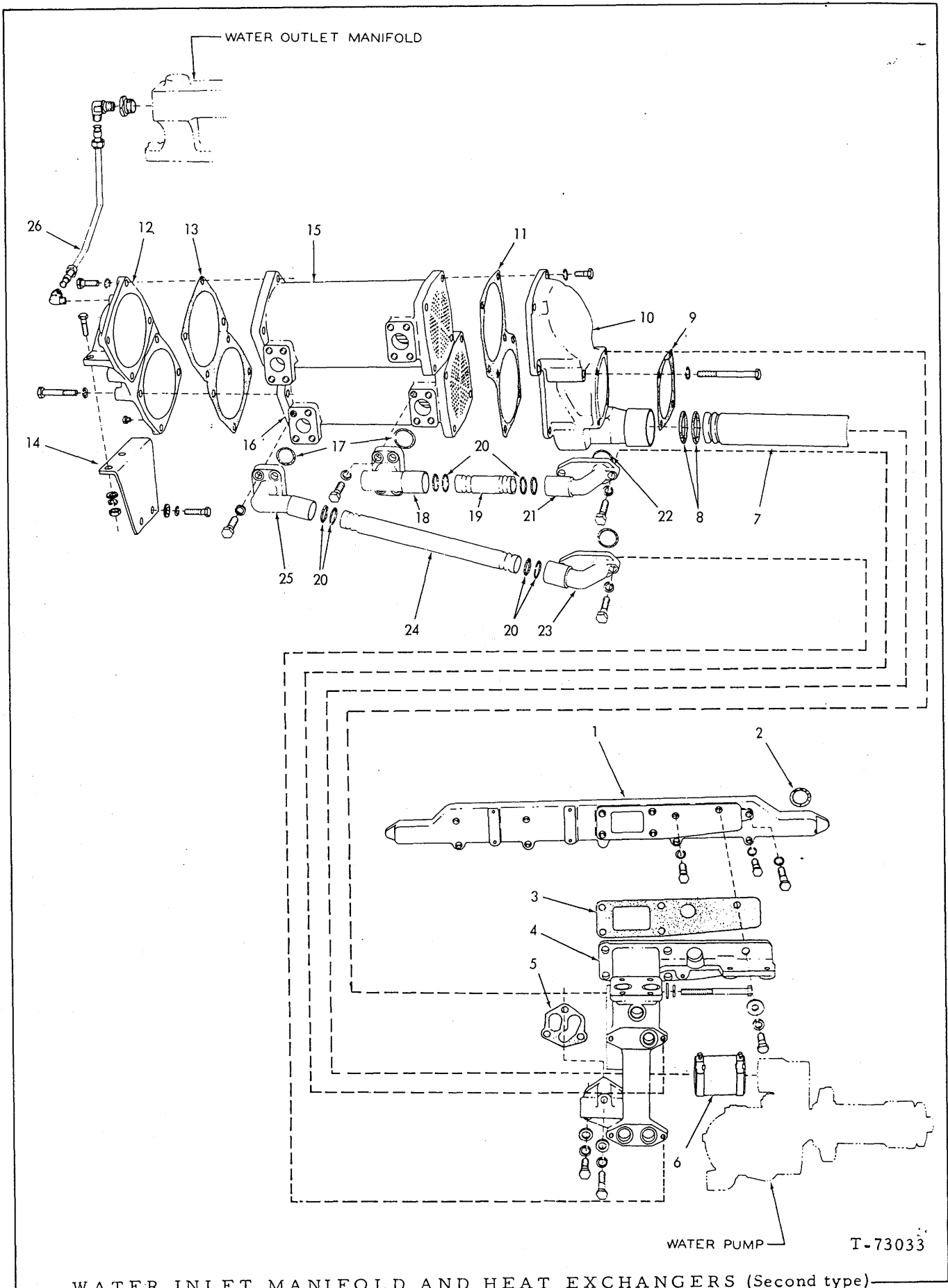
WATER INLET MANIFOLD AND HEAT EXCHANGERS

USAGE: 21000-Mark II engines

ITEM	PART NO.	QTY.	DESCRIPTION
1	74395002	1	MANIFOLD, water inlet (Also order 1 Plug 70918887)
	70919231	4	CAPSCREW, 1/2"NC x 1-7/8"
	70916317	3	CAPSCREW, 1/2"NC x 2-3/4"
	70916318	1	CAPSCREW, 1/2"NC x 3-1/4" (Also attaches water filter hose bracket)
	70904208	8	LOCKWASHER, 1/2"
	70918887	1	PLUG, pipe, hex-socket, 3/8"NPT
2	70925612	12	□O-RING, water inlet manifold
3	74389291	1	□GASKET, water and oil manifold
4	74390585	1	MANIFOLD, water and oil (Order 4 O-ring 74255631, 1 Gasket 74389635, 1 Manifold 74393702 and 1 Bracket 74393708)
	70916311	5	CAPSCREW, 1/2"NC x 1-1/4"
	70915987	2	CAPSCREW, 1/2"NC x 1-1/2"
	70916320	1	CAPSCREW, 1/2"NC x 4"
	70904208	8	LOCKWASHER, 1/2"
	70912333	8	WASHER, plain
5	74386495	1	□GASKET, manifold to block
6	74662263	1	HOSE, heat exchanger to water pump
	70922199	2	CLAMP, hose, 2-9/16" to 3-9/16"
7	74388185	1	TUBE, pump to bonnet
8	70923651	2	□O-RING, bonnet tube
9	74371160	1	□GASKET, heat exchanger adaptor
10	74387418	1	ADAPTOR, heat exchanger
	70919294	2	CAPSCREW, 1/2"NC x 4-1/4" } To Exchanger
	70915987	6	CAPSCREW, 1/2"NC x 1-1/2" }
	70916322	4	CAPSCREW, 1/2"NC x 5" (To Manifold)
	70904208	12	LOCKWASHER, 1/2"
	70916009	4	WASHER, plain
11	74389678	1	□GASKET, heat exchanger adaptor
12	74394949	1	BONNET, heat exchanger
	70919840	1	PLUG, pipe, hex-hd., 1/4"NPT
	70915987	4	CAPSCREW, 1/2"NC x 1-1/2" } To heat exchanger
	70915969	4	CAPSCREW, 1/2"NC x 3" }
	70904208	8	LOCKWASHER, 1/2" }
	70916272	2	CAPSCREW, 3/8"NC x 1-1/4" } To supporting bracket
	70911115	2	WASHER, plain, SAE std., 3/8" }
	70904206	2	LOCKWASHER, 3/8" }
	70910324	2	NUT, 3/8"NC }
13	74389676	1	□GASKET, heat exchanger bonnet
14	74387453	1	BRACKET, supporting, heat exchanger
	70922290	2	CAPSCREW, 1/2"NC x 2"
	70910244	2	WASHER, plain, SAE std., 1/2"
	70904208	2	LOCKWASHER, 1/2"
15	74390506	1	EXCHANGER, heat, transmission oil
16	74390588	1	EXCHANGER, heat, engine oil
17	74255781	2	□O-RING, heat exchanger elbows

(Continued)

(Revised August 1979)

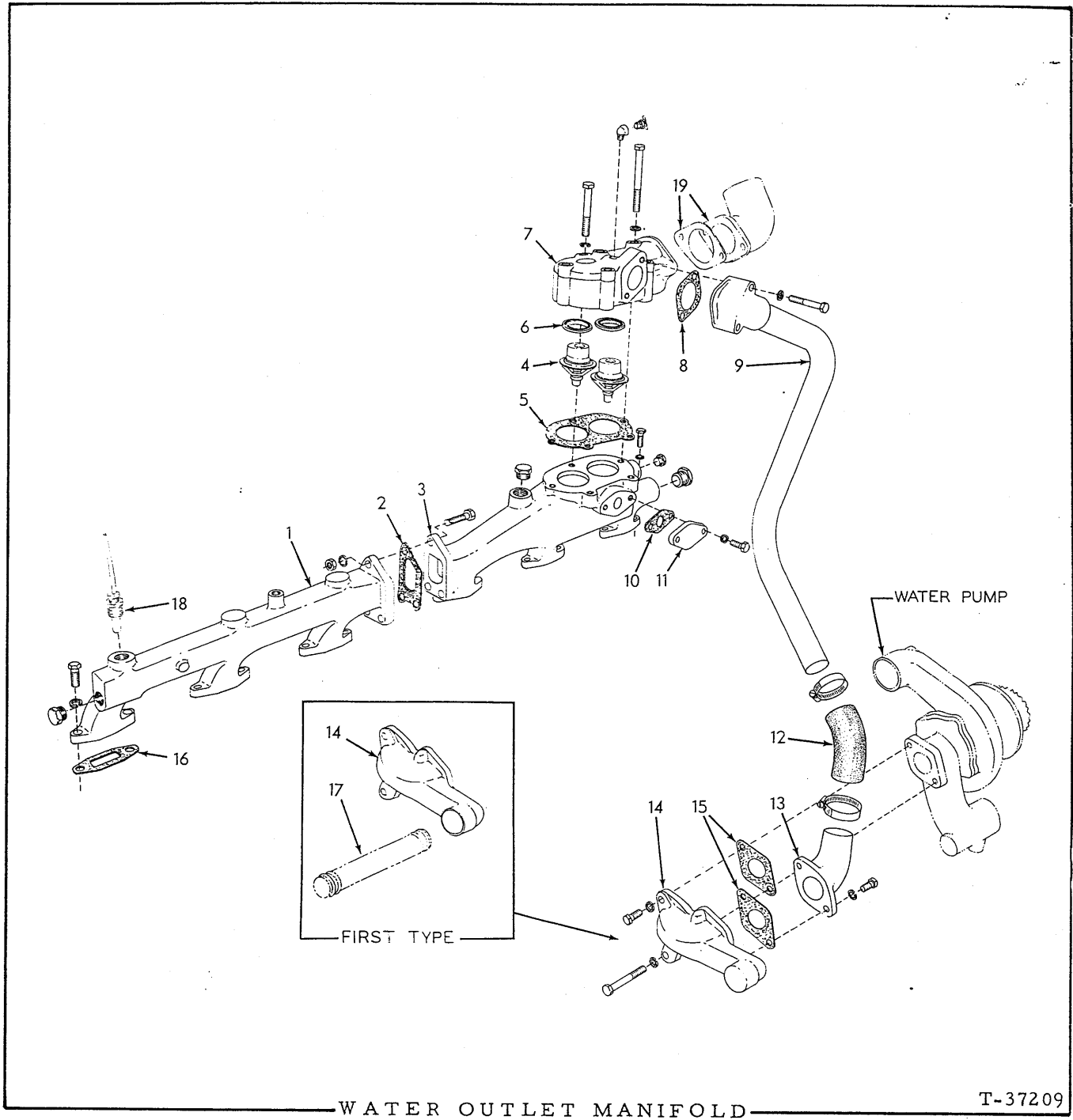


(Revised August 1979)

WATER INLET MANIFOLD AND HEAT EXCHANGERS (Continued)

ITEM	PART NO.	QTY.	DESCRIPTION
18	74390591	1	ELBOW, heat exchanger discharge
	70916191	4	CAPSCREW, 7/16" NC x 1-1/2"
	70904207	4	LOCKWASHER, 7/16"
19	74390595	1	TUBE, heat exchanger discharge
20	74255631	8	O-RING, heat exchanger tubes
21	74390592	1	ELBOW, oil manifold, upper
	70919225	1	CAPSCREW, 3/8"NC x 1-3/8"
	70912069	1	CAPSCREW, 3/8"NC x 2-1/2"
	70904206	2	LOCKWASHER, 3/8"
22	74255631	2	O-RING, oil manifold elbows
23	74390589	1	ELBOW, oil manifold, lower
	70919225	1	CAPSCREW, 3/8"NC x 1-3/8"
	70912069	1	CAPSCREW, 3/8"NC x 2-1/2"
	70904206	2	LOCKWASHER, 3/8"
24	74390594	1	TUBE, heat exchanger intake
25	74390590	1	ELBOW, heat exchanger intake
	70916191	4	CAPSCREW, 7/16"NC x 1-1/2"
	70904207	4	LOCKWASHER, 7/16"
26	74390583	1	TUBE ASSEMBLY, air bleed
	70917809	2	NUT, Imperial, 1/4" tube
	74255956	2	SLEEVE, Imperial, 1/4" tube
	70919481	2	ELBOW, Imperial, 1/4" tube, 1/4"NPT male
	70901839	1	BUSHING, pipe reducing, 1/2"NPT to 1/4"NPT

(Revised August 1979)

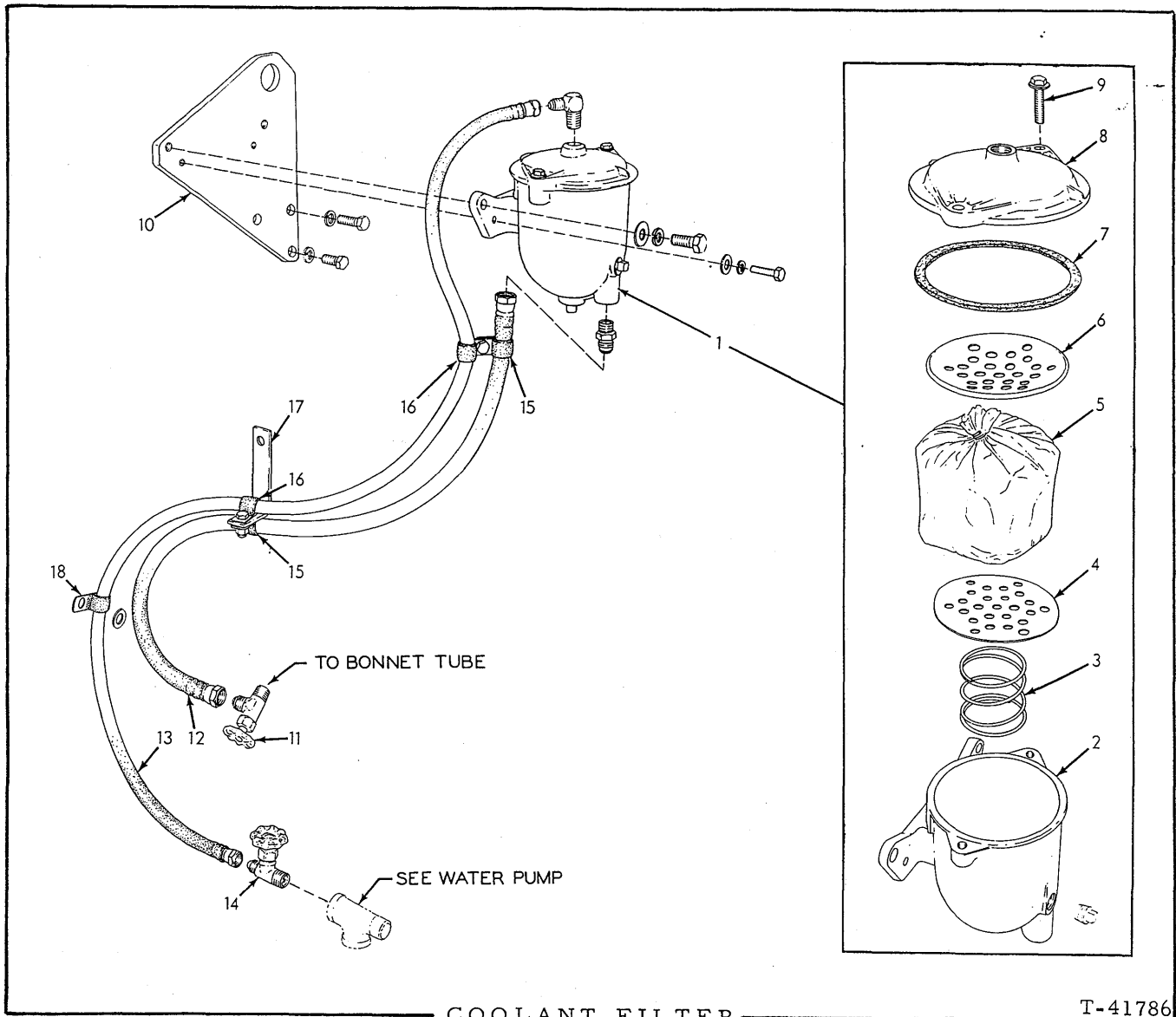


ITEM	PART NO.	QTY.	DESCRIPTION
1	74386827	1	MANIFOLD, rear
	70920416	1	PLUG, pipe, hex-hd., 1/2"NPT (Early units)
	70919224	6	CAPSCREW, 3/8"NC x 1-1/8"
	70919226	3	CAPSCREW, 3/8"NC x 1-5/8"
	70904206	9	LOCKWASHER, 3/8"
	70910324	3	NUT, 3/8"NC
2	74395425	1	□GASKET, manifold connecting

(Continued)

WATER OUTLET MANIFOLD (Continued)

ITEM	PART NO.	QTY.	DESCRIPTION
3	74388563	1	MANIFOLD, front(If for engines#21-07439 and up also order items10 & 11)
	70919840	1	PLUG, pipe, hex-hd., 1/4"NPT
	70920416	1	PLUG, pipe, hex-hd., 1/2"NPT
	70920525	1	PLUG, pipe, hex-hd., 3/4"NPT
	70919224	6	CAPSCREW, 3/8"NC x 1-1/8"
	70904206	6	LOCKWASHER, 3/8"
4	74354537	2	THERMOSTAT
5	74376520	1	□GASKET, thermostat cover
6	74317554	2	SEAL, thermostat
7	74389036	1	COVER ASSEMBLY, thermostat (Includes item 6)
	70918374	1	ELBOW, street, brass, 90°, 1/4"NPT
	70912415	1	COCK, T-handle, 1/4"NPT (For venting air)
	70918395	4	CAPSCREW, 7/16"NC x 3-1/4"
	70918740	1	CAPSCREW, 7/16"NC x 4"
	70904207	5	LOCKWASHER, 7/16"
8	74386137	1	□GASKET, water by-pass tube
9	74386891	1	TUBE, water by-pass
	70916274	2	CAPSCREW, 3/8"NC x 2-1/4"
	70904206	2	LOCKWASHER, 3/8"
10	74362458	1	□GASKET, manifold cover
11	74313015	1	COVER, front manifold
	70915408	2	CAPSCREW, 3/8"NC x 3/4"
	70904206	2	LOCKWASHER, 3/8"
			} Used prior to engine #21-07439
12	74386894	1	ELBOW, water by-pass tube (rubber)
	70922198	2	CLAMP, hose, 1-9/16" to 2-9/16"
13	74386881	1	ELBOW, water by-pass line
	70916271	2	CAPSCREW, 3/8"NC x 1"
	70904206	2	LOCKWASHER, 3/8"
14	74386779	1	FLANGE, water pump (21000H engines)
	74391237	1	FLANGE, water pump (21000-Mark II engines)
	70920525	1	PLUG, pipe, hex-hd., 3/4"NPT (Early units only)
	70916272	1	CAPSCREW, 3/8"NC x 1-1/4"
	70920275	1	CAPSCREW, 3/8"NC x 3"
	70904206	2	LOCKWASHER, 3/8"
15	74378112	2	□GASKET, water pump flange
16	74376483	6	□GASKET, manifold to head
17	-----	-	TUBE, water (See OIL COOLER)
18	-----	-	GAUGE, temperature (See INSTRUMENTS)
19	-----	-	ELBOW AND GASKET (See RADIATOR AND MOUNTING)



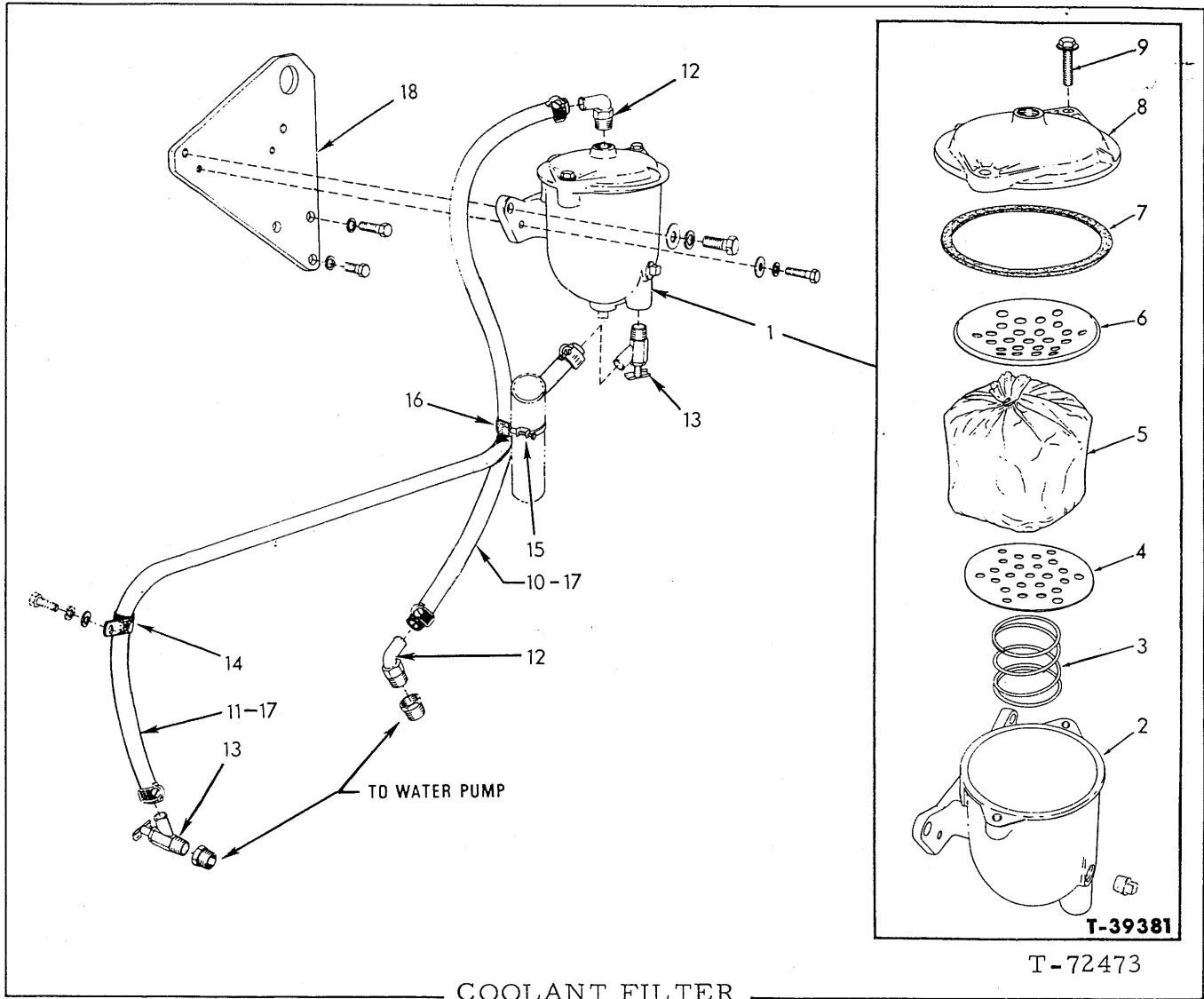
USAGE: Engines prior to serial No. 21-07460

ITEM	PART NO.	QTY.	DESCRIPTION
1	74387474	1	FILTER ASSEMBLY, water (Consists of items 2 thru 9. Has element for use with permanent anti-freeze) (Order Filter Kit 74393521)(See page 123A)
	70916311	2	CAPSCREW, 1/2"NC x 1-1/4"
	70900818	2	WASHER, plain, U. S. std., 1/2"
	70904208	2	LOCKWASHER, 1/2"
	70914670	2	CAPSCREW, 5/16"NC x 1-1/8"
	70901165	2	WASHER, plain, U. S. std., 5/16"
	70904205	2	LOCKWASHER, 5/16"
2	74055031	1	BODY, filter
	70920131	2	PLUG, pipe, 3/8"NPT
3	74054569	1	SPRING, filter element
4	74054568	1	PLATE, filter element, lower
5	74059380	1	ELEMENT KIT, filter (Includes item 7)(Cannot be used with permanent anti-freeze)
	74059381	1	ELEMENT KIT, filter (Includes item 7)(Can be used with permanent anti-freeze)

(Continued)

COOLANT FILTER (Continued)

ITEM	PART NO.	QTY.	DESCRIPTION
6	74055034	1	PLATE, filter element, upper
7	74064566	1	GASKET, filter cover
8	74055032	1	COVER, filter
9	74055033	2	BOLT ASSY., filter cover (Includes washer)
	70916311	1	CAPSCREW, 1/2"NC x 1-1/4"
	70919048	2	CAPSCREW, 1/2"NC x 1-5/8" (Also attaches fan bracing bracket)
	70904208	3	LOCKWASHER, 1/2"
11	74255171	1	VALVE, water shut-off (1/2" tube, 3/8"NPT male)
12	74387969	1	HOSE ASSY., water line to filter
	70919063	1	CONNECTOR, flare type, 1/2" tube, 3/8"NPT male
13	74387970	1	HOSE ASSY., filter to water pump
	70919136	1	ELBOW, 37°, flare type, 90°, 3/8" tube, 3/8" NPT male
14	74255170	1	VALVE, water shut-off (3/8" tube, 3/8"NPT male)
15	74254580	2	CLAMP, water inlet hose
16	74255010	2	CLAMP, water outlet hose
	70916271	1	CAPSCREW, 3/8"NC x 1"
	70916269	1	CAPSCREW, 3/8"NC x 7/8"
	70911115	4	WASHER, plain, SAE std., 3/8"
	70904206	2	LOCKWASHER, 3/8"
	70911026	2	NUT, 3/8"NC
17	74387971	1	BRACKET, hose supporting
18	70637741	1	CLIP, water outlet hose
	70910244	1	WASHER, plain, SAE std., 1/2"



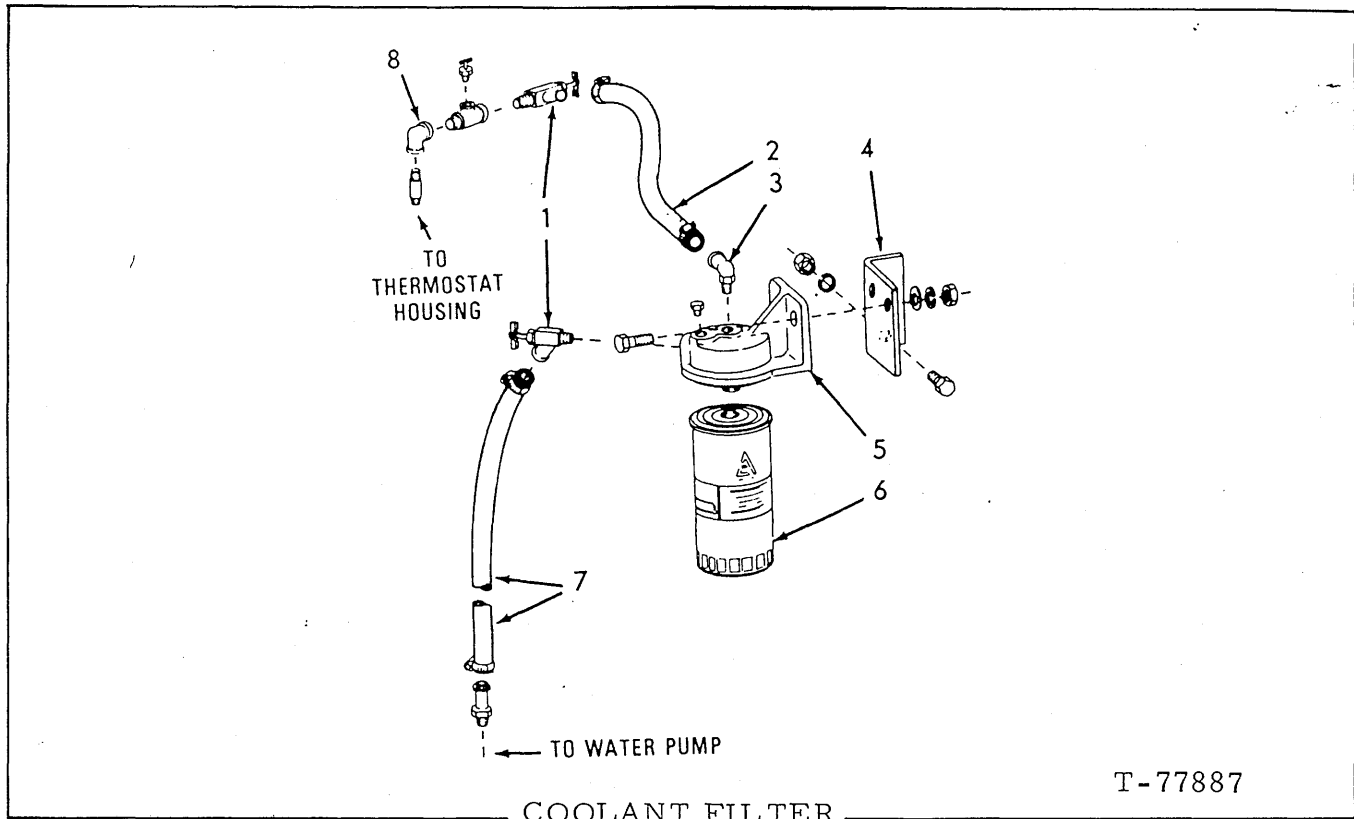
USAGE: Engines serial No. 21-07460 and up

ITEM	PART NO.	QTY.	DESCRIPTION
1	74359248	1	FILTER ASSY., water (Consists of items 2 thru 9. Has element for use with permanent anti-freeze) (Order Filter Kit 74393521) (See page 123A)
	70920582	2	CAPSCREW, 1/2"NC x 1-1/4"
	70912441	2	LOCKWASHER, 1/2"
	70921422	2	CAPSCREW, 5/16"NC x 1-1/8"
	70677005	2	WASHER, plain
2	74055031	1	BODY, filter
	70920131	2	PLUG, pipe, 3/8"NPT
3	74054569	1	SPRING, filter element
4	74054568	1	PLATE, filter element, lower

(Continued)

COOLANT FILTER (Continued)

ITEM	PART NO.	QTY.	DESCRIPTION
5	74059380	1	ELEMENT KIT, filter (Includes items 4, 6 and 7) (Chromate type, for use with "Dowtherm" 209)
	74059979	1	ELEMENT KIT, filter (Includes items 4 and 7) (Original equipment. All-purpose, recommended for use with plain water as well as most type of permanent and non-permanent anti-freeze except "Dowtherm" 209)
6	74055034	1	PLATE, filter element, upper
7	74054566	1	GASKET, filter cover
8	74055032	1	COVER, filter
9	74055033	2	BOLT ASSY., filter cover (Includes washer)
10	-----	1	HOSE, water pump to filter (14-1/2" long. Order item 17)
	70921911	2	CLAMP, hose, 11/16" to 1-1/4" diam.
11	-----	1	HOSE, filter to water pump (44-1/4" long. Order item 17)
	70921911	2	CLAMP, hose, 11/16" to 1-1/4" diam.
12	74255286	2	ELBOW, water hose (90°, 5/8" nipple, 3/8"NPT)
	74142263	1	BUSHING, pipe reducing, 1"NPT to 3/8"NPT
13	74255287	2	VALVE, water shut-off (5/8" nipple, 3/8"NPT)
	70904271	1	BUSHING, pipe reducing, 1/2"NPT to 3/8"NPT
14	70622992	1	CLAMP, water inlet hose
	70677006	1	WASHER, plain
15	70919789	1	CLAMP, hose binding
16	74388574	1	SLEEVE, hose binding clamp (plastic)
17	70920722	-	HOSE, rubber, 5/8" I. D., 25 ft. roll (Use as required)
18	74392626	1	BRACKET, mounting (Also serves as engine lifter)
	70916311	3	CAPSCREW, 1/2"NC x 1-1/4"
	70904208	3	LOCKWASHER, 1/2"



USAGE: Service equipment

ITEM	PART NO.	QTY.	DESCRIPTION
1	74255287	2	□ VALVE, shut-off
2	-----	1	HOSE, 5/8" I. D. (Order 13" of 70920722)(See NOTE)
	70921911	2	CLAMP, 11/16" to 1-1/4" diam.
3	74255286	1	□ ELBOW, 3/8"NPT
4	74394434	1	BRACKET
	70916197	2	CAPSCREW, 7/16"NC x 1-1/4"
	70904207	2	LOCKWASHER, 7/16"
	70912201	2	NUT, 7/16"NC
5	74393427	1	□ HEAD ASSY. (Includes plug indented below)
	70919134	1	PLUG, 1/8"NPT
	70916197	2	CAPSCREW, 7/16"NC x 1-1/4"
	70910919	2	WASHER
	70904207	2	LOCKWASHER, 7/16"
	70912201	2	NUT, 7/16"NC
6	74393504	1	□ FILTER (Original equipment, all purpose, recommended for use with most types of permanent and non-permanent anti-freeze as well as with plain water (except "Dowtherm" 209)
	74393505	1	FILTER (Chromate type, for use with "Dowtherm" 209 anti-freeze)
7	-----	1	HOSE, 5/8" I. D. (Order 25" of 70920722)(See NOTE)
	70921911	2	CLAMP, 11/16" to 1-1/4" diam.
	70925238	1	NIPPLE, 5/8" hose, 3/8"NPT

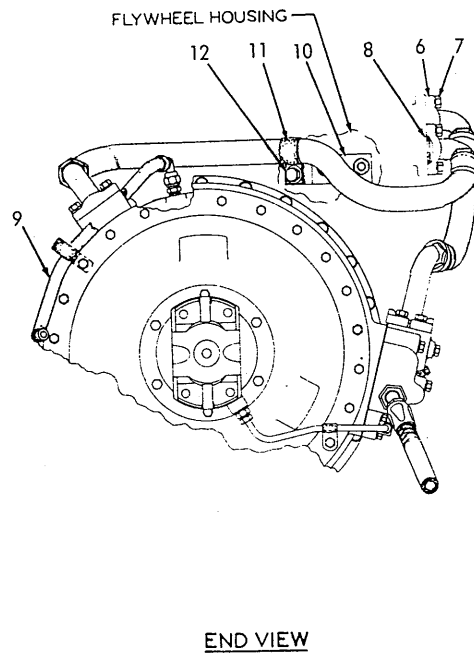
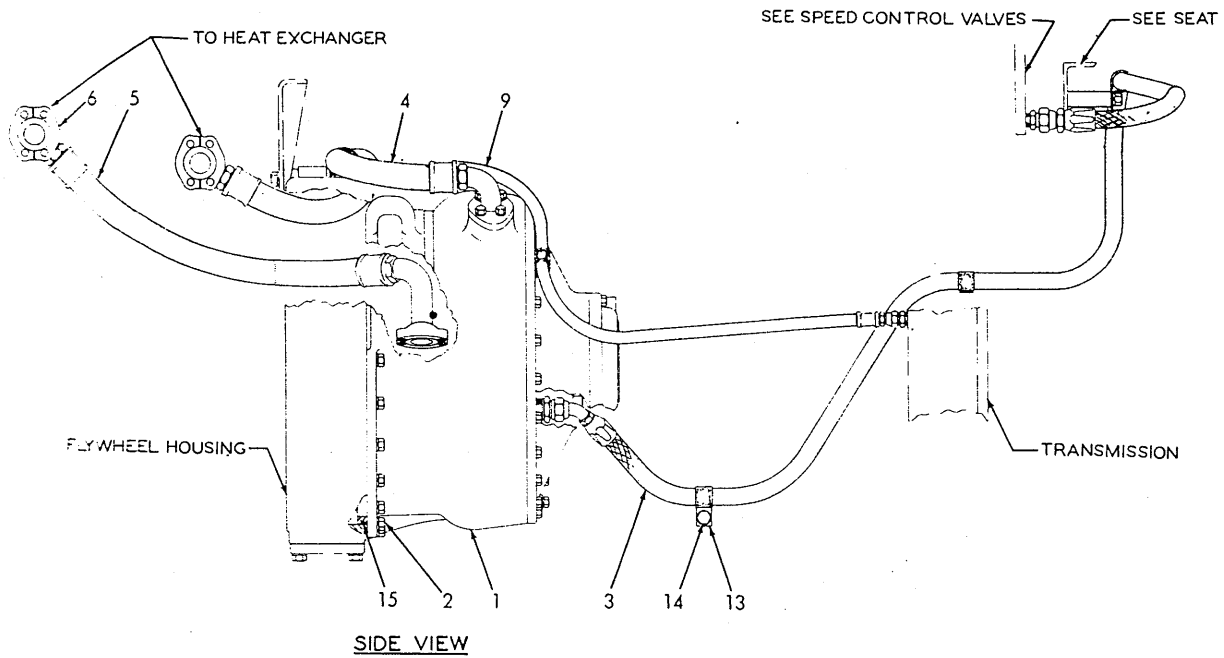
(Continued)

COOLANT FILTER (Continued)

ITEM	PART NO.	QTY.	DESCRIPTION
8	70905014	1	ELBOW (90°, pipe reducing, 3/8"NPT to 1/4"NPT)
	70901478	1	NIPPLE, pipe, 1/4"NPT x 7/8"
	70913257	1	TEE, service, 3/8"NPT
	70916873	1	COCK, 3/8"NPT (air venting)
9	74393521	1	"SPIN-ON" Filter Kit

NOTE: Factory provides 25 foot rolls only. Dealer will provide cut length or full roll.

Component of item 9



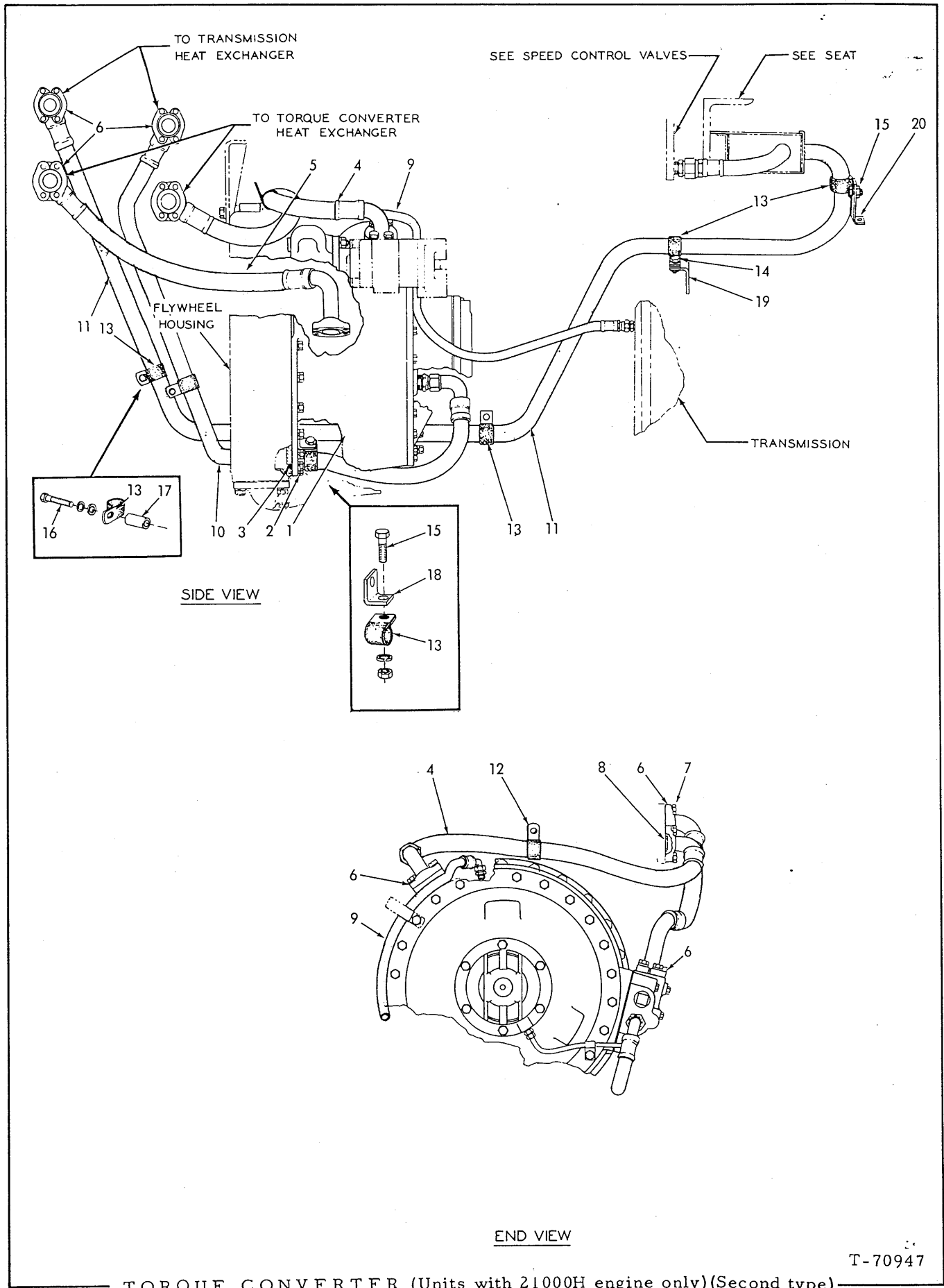
TORQUE CONVERTER (Units with 21000H engine only)(First type)

T-39384

TORQUE CONVERTER

USAGE: Tractors prior to serial No. 13678. Used only on units with 21000H engine.

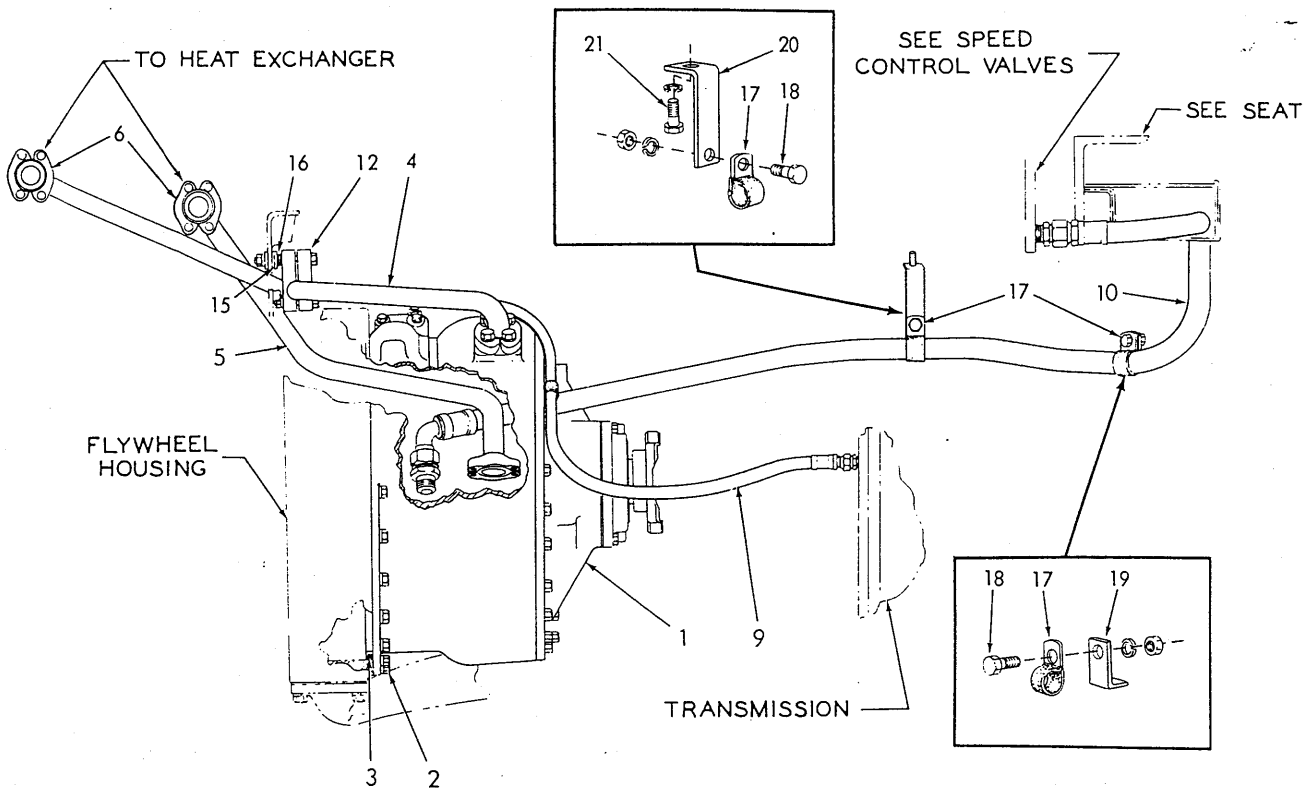
ITEM	PART NO.	QTY.	DESCRIPTION
1	70639611	1	CONVERTER ASSEMBLY, torque (See page 132 for parts. Includes engine clutch)(Used with PUMP ASSEMBLY 70639503 only on tractors prior to #12995, excluding #12978 thru #12982 and #12989)
	70642740	1	CONVERTER ASSEMBLY, torque (See page 132 for parts. Includes engine clutch)(Used with PUMP ASSEMBLY 70642227 only on tractors #12995 and up, including #12978 thru #12982 and #12989)
2	70919464	1	ELBOW, flare type, 45°, 1/4" tube, 1/8"NPT male
	70921467	1	CAP, flare type, 1/4" tube
	70040011	20	CAPSCREW, 7/16"NC x 1-1/2"
	70904207	20	LOCKWASHER, 7/16"
3	70639631	1	HOSE ASSEMBLY, charging line (See HOSE PARTS)
	70919342	1	CONNECTOR, flare type, 3/4" tube, 3/4"NPT male
	70922683	1	CONNECTOR, flare type, 3/4" tube, 1"NPT male
4	70644450	1	HOSE, converter to heat exchanger (See HOSE PARTS)
5	70644449	1	HOSE ASSEMBLY, heat exchanger to converter (See HOSE PARTS)
6	70921117	8	FLANGE, hose attaching (half only)
	70041250	16	CAPSCREW, 7/16"NC x 1-1/4"
	70904207	16	LOCKWASHER, 7/16"
8	70923664	4	O-RING, hose flange
	70644453	1	HOSE ASSEMBLY, breather line
9	70919172	2	CONNECTOR, flare type, 3/8" tube, 3/8"NPT male
	70639515	1	ANGLE, hose supporting
10	70904208	2	LOCKWASHER, 1/2"
	70911035	2	NUT, jam, 1/2"NC
	70632547	1	CLIP, supporting, heat exchanger hose
11	70070467	1	CAPSCREW, 1/2"NF x 1"
	70910244	1	WASHER, plain, SAE std., 1/2"
	70904208	1	LOCKWASHER, 1/2"
	70911043	1	NUT, 1/2"NF
	70622916	5	CLIP, supporting, charging line
13	70035525	1	CAPSCREW, 1/2"NF x 1-1/8"
	70904208	1	LOCKWASHER, 1/2"
	70910244	1	WASHER, plain, SAE std., 1/2"
15	70924828	1	O-RING, torque converter to flywheel housing



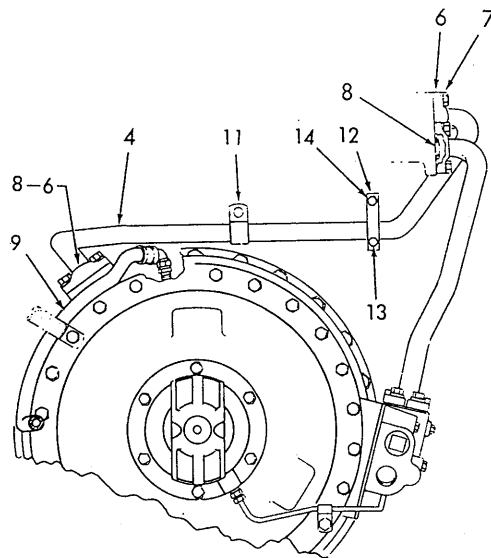
TORQUE CONVERTER

USAGE: Effective with tractor serial No. 13678. Used only on units with 21000H engine.

ITEM	PART NO.	QTY.	DESCRIPTION
1	70642740	1	CONVERTER ASSEMBLY, torque (See page 132 for parts. Includes engine clutch)
	70919464	1	ELBOW, flare type, 45°, 1/4" tube, 1/8"NPT male
	70921467	1	CAP, flare type, 1/4" tube
2	70040011	20	CAPSCREW, 7/16"NC x 1-1/2"
	70904207	20	LOCKWASHER, 7/16"
3	70924828	1	O-RING, torque converter to flywheel housing
4	70644450	1	HOSE, converter to heat exchanger (See HOSE PARTS)
5	70644449	1	HOSE, heat exchanger to converter (See HOSE PARTS)
6	70921117	12	FLANGE, hose attaching (half only)
7	70041250	24	CAPSCREW, 7/16"NC x 1-1/4"
	70904207	24	LOCKWASHER, 7/16"
8	70923664	6	O-RING, hose flange
9	70644453	1	HOSE, breather line (See HOSE PARTS)
	70919172	2	CONNECTOR, flare type, 3/8" tube, 3/8"NPT male
10	70644905	1	HOSE, charging line, heat exchanger to converter (See HOSE PARTS)
	70919064	1	CONNECTOR, flare type, 1" tube, 1"NPT male
11	70644906	1	HOSE, speed control valve to heat exchanger (See HOSE PARTS)
	70919246	1	CONNECTOR, flare type, 1" tube, 3/4"NPT male
12	70644010	1	CLIP, hose supporting (1-13/16" diam.)
13	70644457	6	CLIP, hose supporting (1-5/16" diam.)
14	70036032	1	CAPSCREW, 3/8"NF x 3/4"
	70911115	1	WASHER, plain, SAE std., 3/8"
	70904206	1	LOCKWASHER, 3/8"
	70911041	1	NUT, 3/8"NF
15	70070467	2	CAPSCREW, 1/2"NF x 1"
	70904208	2	LOCKWASHER, 1/2"
	70911043	2	NUT, 1/2"NF
16	70012871	1	CAPSCREW, 1/2"NC x 2-3/4"
	70904208	1	LOCKWASHER, 1/2"
	70910244	1	WASHER, plain, SAE std., 1/2"
17	70613231	1	BLOCK, spacing, charging line clip
18	70638397	1	ANGLE, supporting, charging line
19	70628243	1	ANGLE, supporting, control valve hose, front
20	70632436	1	BRACKET, supporting, control valve hose, rear



SIDE VIEW



END VIEW

TORQUE CONVERTER (Units w/21000-Mark II engine only)

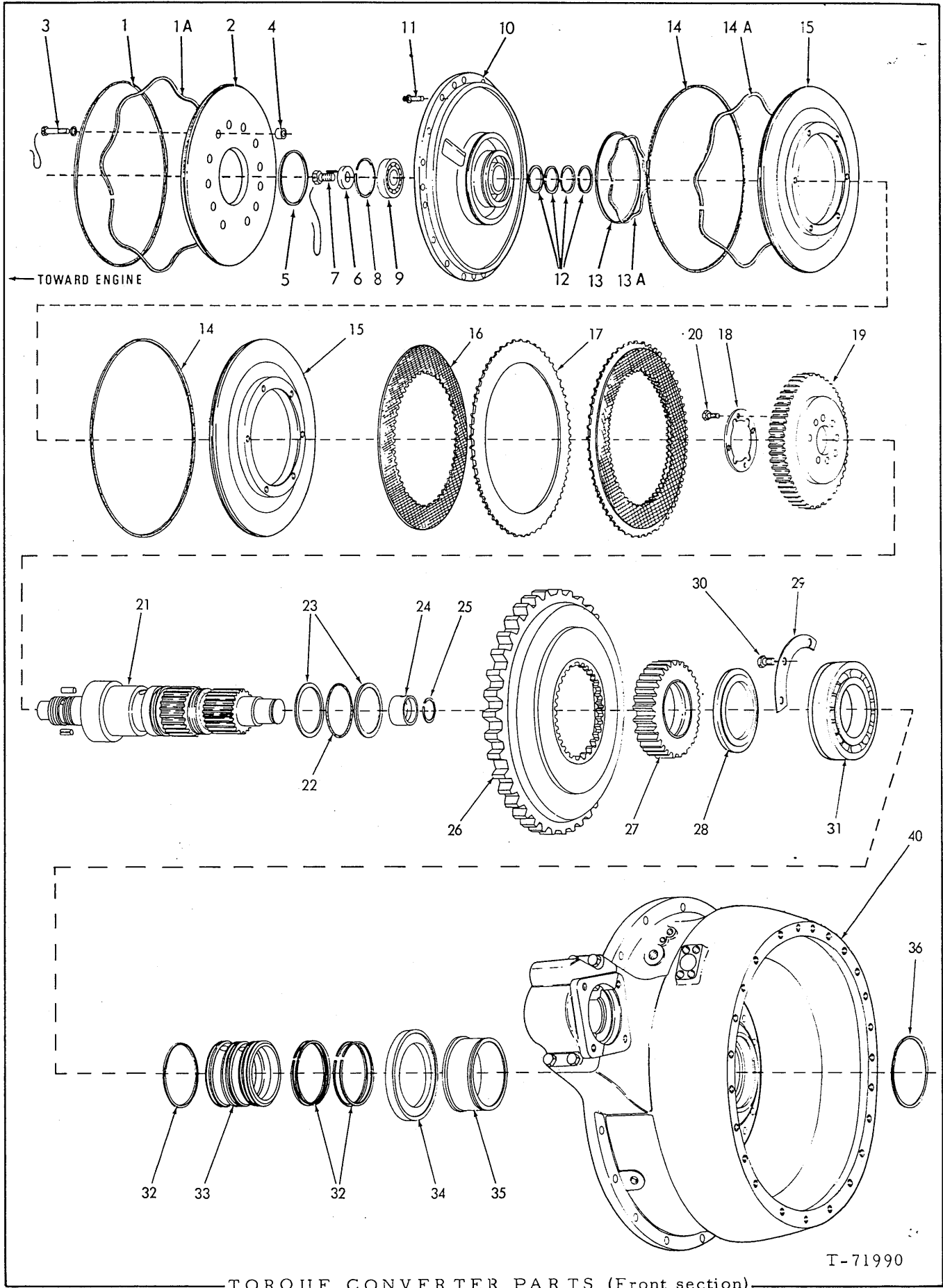
T-73034

(Revised August 1979)

TORQUE CONVERTER

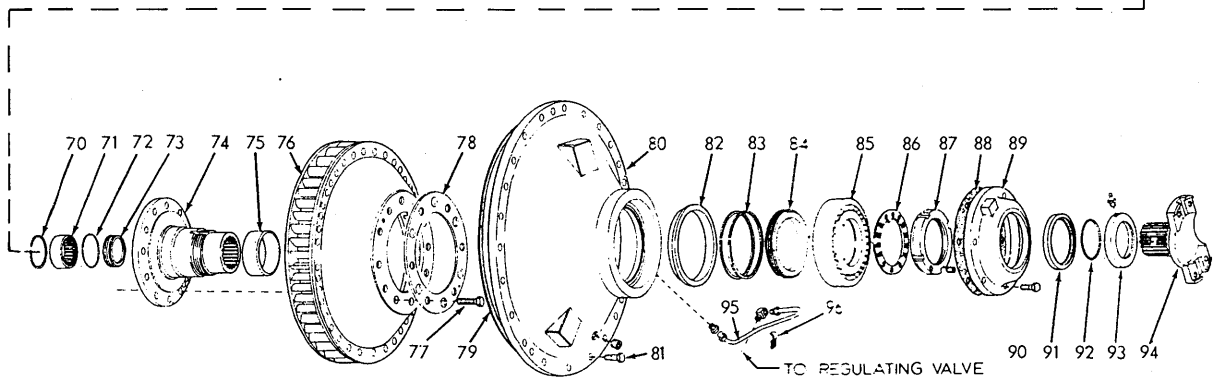
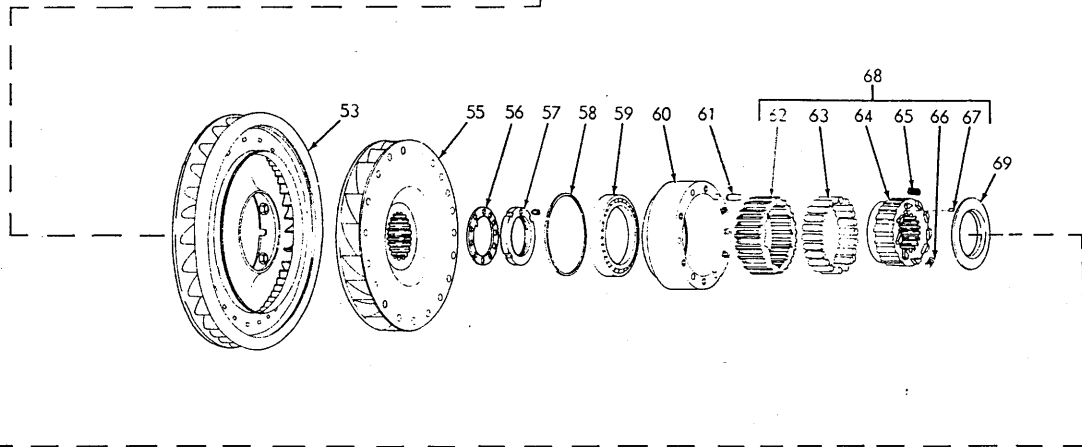
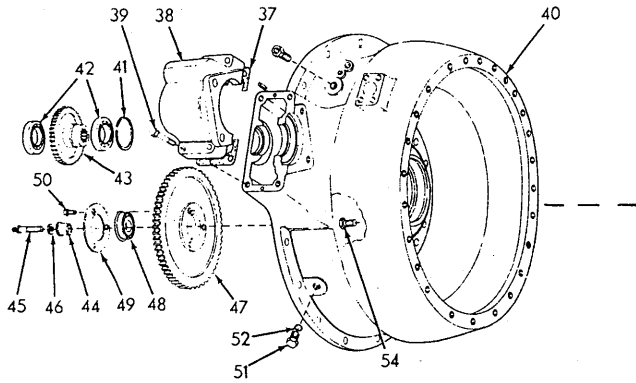
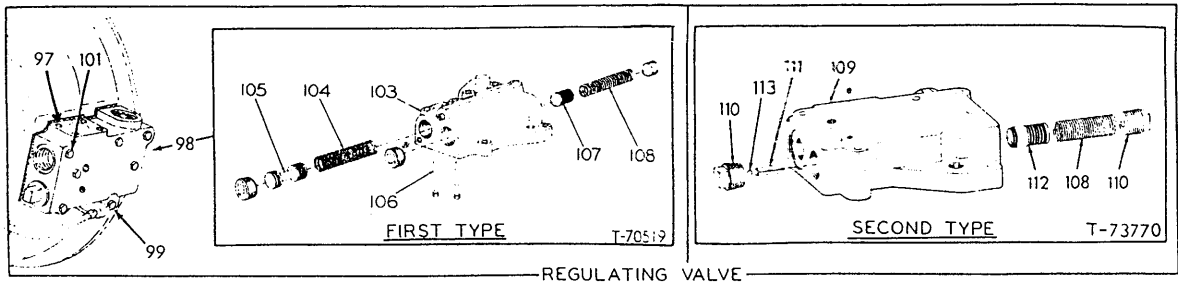
USAGE: Units with 21000-Mark II engine only

ITEM	PART NO.	QTY.	DESCRIPTION
1	70659184	1	CONVERTER ASSEMBLY, torque (See page 112 for parts. Includes engine clutch)
	70919464	1	ELBOW, flare type, 45°, 1/4" tube, 1/8"NPT male
	70921467	1	CAP, flare type, 1/4" tube
2	70040011	20	CAPSCREW, 7/16"NC x 1-1/2"
	70904207	20	LOCKWASHER, 7/16"
3	70924828	1	O-RING, torque converter to flywheel housing
4	70659433	1	TUBE, converter to heat exchanger
5	70659432	1	TUBE, heat exchanger to converter
6	70921117	8	FLANGE, tube and hose attaching (half only)
7	70041250	16	CAPSCREW, 7/16"NC x 1-1/4"
	70904207	16	LOCKWASHER, 7/16"
8	70923664	4	O-RING, hose flange
9	70644453	1	HOSE, breather line (See HOSE PARTS)
	70919172	2	CONNECTOR, flare type, 3/8" tube, 3/8"NPT male
10	70659401	1	HOSE, speed control valve to torque converter (See HOSE PARTS)
	70919246	1	CONNECTOR, flare type, 1" tube, 3/4"NPT male
	70921228	1	CONNECTOR, flare type, 1" tube, 1-5/16" straight thread (Includes O-RING 70921214)
11	70095869	1	CLIP, tube supporting (1-1/4" diam.)
12	70658514	2	BLOCK, tube supporting
13	70056721	1	CAPSCREW, 3/8"NC x 2-1/2"
14	70041915	1	CAPSCREW, 3/8"NC x 3-1/2"
	70044973	1	WASHER, plain
	70904206	2	LOCKWASHER, 3/8"
	70911026	2	NUT, 3/8"NC
15	70044973	3	WASHER, block spacing (large)
16	70055914	2	WASHER, block spacing (small)
			} Use as req'd
17	70644457	2	CLIP, hose supporting (1-5/16" diam.)
18	70070467	2	CAPSCREW, 1/2"NF x 1"
	70904208	2	LOCKWASHER, 1/2"
	70911043	2	NUT, 1/2"NF
19	70657548	1	ANGLE, supporting, control valve hose, rear
20	70659385	1	ANGLE, supporting, control valve hose, front
21	70035221	1	CAPSCREW, 1/2"NC x 1"
	70904208	1	LOCKWASHER, 1/2"



TORQUE CONVERTER PARTS (Front section)

T-71990



TORQUE CONVERTER PARTS (Rear section)

T-71991

TORQUE CONVERTER PARTS

*70639611 CONVERTER ASSEMBLY (See page 125)

*70642740 CONVERTER ASSEMBLY (See page 125 and 127)

Δ70659184 CONVERTER ASSEMBLY (See page 129)

ITEM	PART NO.	QTY.	DESCRIPTION
		* Δ	
1	70662988	1 1	RING, sealing, clutch disengaging piston (outer) (Also order item 1A)
1A	70662993	1 1	EXPANDER, piston sealing ring
2	70639563	1 1	PISTON, clutch disengaging
3	70927482	12 12	CAPSCREW, drilled-hd., 3/8"NC x 1-5/8"
	70911115	12 12	WASHER, plain, SAE std., 3/8"
	70023633	3 3	WIRE, locking, 1/16" x 12"
4	70639535	12 12	SPACER, clutch carrier
5	70646980	1 1	GASKET, sealing, clutch disengaging piston (inner)
6	70639536	1 1	WASHER, end, input shaft
	70919180	1 1	PIN, spring, 1/8" x 5/8"
7	70927475	1 1	CAPSCREW, drilled-hd., 1/2"NC x 1-1/2"
	70023633	1 1	WIRE, locking, 1/16" x 12"
8	73035105	1 1	RING, snap, bearing retaining
9	70097088	1 1	BEARING, ball, clutch carrier
10	70639615	1 1	CARRIER, engine clutch
11	70922051	16 16	SCREW, 12-pt. head, 3/8"NC x 1"
12	70642716	4 4	RING, sealing, input shaft
13	70662989	1 1	RING, sealing, clutch engaging piston (inner)(Also order item 13A)
13A	70662991	1 1	EXPANDER, piston sealing ring
14	70662990	1 1	RING, sealing, clutch engaging piston (outer)(Also order item 14A)
14A	70662992	1 1	EXPANDER, piston sealing ring
15	70640743	1 1	PISTON, clutch engaging
16	70648043	3 3	PLATE, friction (bi-metallic)
17	70639523	2 2	PLATE, friction (steel)
18	70640742	1 1	WASHER, retaining, clutch driving ring
19	70647404	1 1	RING, clutch driving
	70922524	4 4	PIN, spring, 1/2" x 1-1/2"
	74054570	4 4	PIN, dowel, 7/16" x 1"
20	70650399	4 4	SCREW, self-locking, 3/8"NF x 7/8"
21	70646985	1 1	SHAFT, input
22	70632603	1 1	O-RING, input shaft
23	70640791	2 2	RING, backing, input shaft O-Ring
24	70632585	1 1	RACE, inner, shaft rear bearing
25	70632601	1 1	RING, snap, input shaft (rear end)
26	70639604	1 1	PLATE, back
27	70698911	1 1	GEAR ASSY., pump driving (Includes Bushing)
28	70639543	1 1	SPACER, input shaft bearing

(Continued)

TORQUE CONVERTER PARTS (Continued)
QTY.

ITEM	PART NO.	*	Δ	DESCRIPTION
29	70632613	2	2	WASHER, bearing retaining (half only)
30	74254905	6	6	CAPSCREW, 3/8"NF x 3/4"
31	70645672	1	1	BEARING, ball, input shaft
32	70639532	5	5	RING, seal
33	70639524	1	1	CARRIER, seal ring
34	70639520	1	1	RING, wear
35	70639522	1	1	SLEEVE, wear
36	70640784	1	1	RING, snap, wear sleeve retaining
37	70640783	1	1	GASKET, pump gear housing
38	-----	1	1	HOUSING, pump gears (Not serviced. Order item 40)
39	70053616	4	4	CAPSCREW, 3/8"NC x 1-3/4"
40	70640781	1	1	HOUSING ASSEMBLY, (Includes items 34 thru 39)
	70902071	1	1	BUSHING, pipe reducing, 1"NPT to 3/8" NPT
	70918887	1	1	PLUG, pipe, hex-socket, 3/8"NPT
	70909091	2	2	PLUG, pipe, hex-socket, 3/4"NPT
	73034915	2	2	Pin, dowel, 3/8" x 5/8"
41	74053627	1	1	RING, snap, bearing, retaining
42	70067766	2	2	BEARING, ball, pump driving
43	70640778	1	1	GEAR, pump driving
44	70632604	1	1	SHAFT, idler gear
45	70922850	1	1	SCREW, 12-pt. head, 3/8"NC x 2"
46	70643763	1	1	WASHER, plain
47	70632630	1	1	GEAR, idler
48	70645269	1	1	BEARING, ball, idler gear
49	70628492	1	1	RETAINER, idler gear bearing
50	70639534	3	3	CAPSCREW, self-locking, 3/8"NF x 5/8"
51	70632615	1	-	PLUG, hole
52	70921884	1	-	O-RING, hole plug
				} Early units only
53	70699915	1	1	WHEEL ASSEMBLY, guide (stationary)(Serviced only as a unit)
54	70923193	10	10	CAPSCREW, 3/8"NF x 1-1/4"
55	70639529	1	1	WHEEL, impeller
56	70632581	1	1	WASHER, locking, impeller retaining nut
57	70632582	1	1	NUT, impeller retaining
	70921401	1	1	SETSCREW, hex-socket, half-dog-pt., 5/16"NC x 3/4"
58	70632590	1	1	RING, snap, bearing retaining
59	70632584	1	1	BEARING, ball, over-running clutch cam
60	70632652	1	1	RACE, over-running clutch

(Continued)

(Revised August 1979)

TORQUE CONVERTER PARTS (Continued)

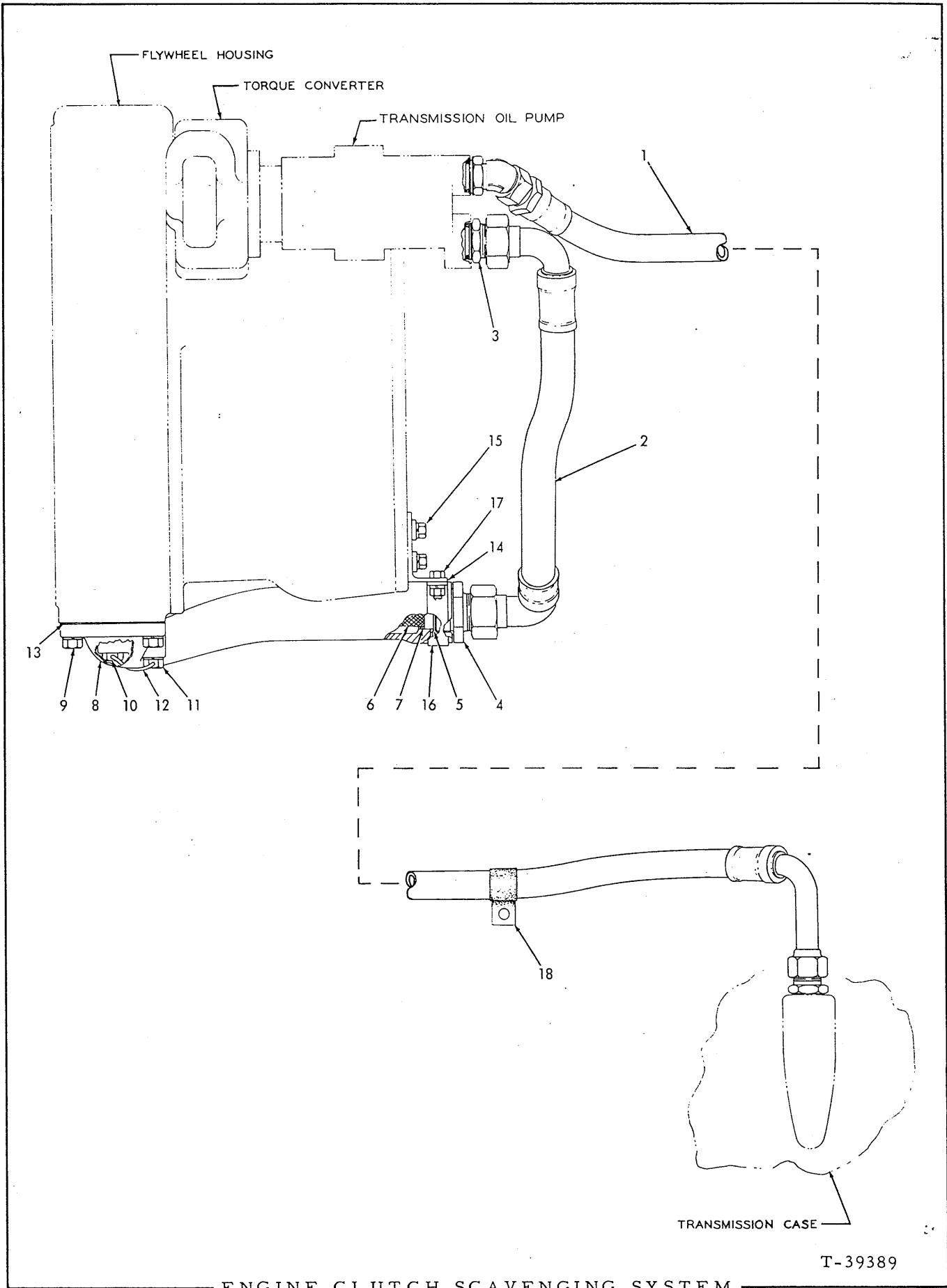
ITEM	PART NO.	QTY.		DESCRIPTION	
		*	Δ		
61	70632600	6	6	PIN, dowel, over-running clutch race	
62	-----	1	1	CAGE, clutch rollers	} Order item 68
63	-----	22	22	ROLLER, over-running clutch	
64	-----	1	1	CAM, over-running clutch	
65	-----	2	2	SPRING, cage return	
66	-----	9	9	SPRING, bumper	
67	70634342	1	1	PIN, driving, thrust washer	
68	70638352	1	1	CLUTCH KIT, over-running, torque converter (Consists if items 62 thru 67)	
69	70632606	1	1	WASHER, thrust	
70	70632588	1	1	RING, snap, bearing retaining	
71	70632591	1	1	ROLLER ASSEMBLY, input shaft rear bearing	
72	70923814	1	1	O-RING, drive shaft yoke	
73	70632620	1	1	CARRIER, o-ring	
74	70632635	1	1	FLANGE, turbine wheel	
75	70632589	1	1	SLEEVE, wear, turbine wheel flange	
76	70632632	1	1	WHEEL, turbine	
77	70923193	6	6	CAPSCREW, 3/8"NF x 1-1/4"	
78	70632595	1	1	WASHER, dowel pin retaining	
79	70632587	1	1	GASKET, end plate	
80	70632623	1	1	PLATE ASSEMBLY, rear end (Includes item 82)	
	70909091	1	1	PLUG, pipe, hex-socket, 3/4"NPT	
81	70921076	24	24	CAPSCREW, 3/8"NC x 1-1/4"	
82	70632592	1	1	SLEEVE, wear, rear end plate	
83	70640722	2	2	RING, sealing	
84	70640096	1	1	CARRIER, seal ring	
85	70632583	1	1	BEARING, ball, turbine wheel flange	
86	70624816	1	1	WASHER, locking, bearing retaining nut	
87	70624815	1	1	NUT, bearing retaining	
	70921401	1	1	SETSCREW, hex-socket, half-dog-pt., 5/16"NC x 3/4"	
88	70052168	1	1	GASKET, rear bearing retainer	
89	70632638	1	1	RETAINER, rear bearing	
90	70921076	6	6	CAPSCREW, 3/8"NC x 1-1/4"	
91	70693957	1	1	SEAL, oil, rear end	

(Continued)

(Revised August 1979)

TORQUE CONVERTER PARTS (Continued)

ITEM	PART NO.	QTY.		DESCRIPTION	
		*	Δ		
92	70923585	1	1	O-RING, drive shaft yoke	
93	70632621	1	1	SLEEVE, drive shaft yoke	
	70914465	1	1	FITTING, lubricating, straight, 1/8"NPT	
94	70632631	1	1	YOKE ASSEMBLY, drive shaft (Includes item 93)	
95	70640097	1	1	TUBE ASSEMBLY, rear seal drain (Includes nuts)	
	70918116	1	1	CONNECTOR, inverted flare, 3/8" tube, 3/8"NPT male	
	70918115	1	1	ELBOW, inverted flare, 90°, 3/8" tube, 3/8"NPT male	
96	70639314	1	1	CLIP, tube supporting	
97	70639625	1	-	GASKET, valve housing to converter housing	
	70658556	-	1	GASKET, valve housing to converter housing	
98	70640719	1	-	VALVE ASSEMBLY, pressure regulating (For CONVERTER ASSEMBLY 70639611)	Each consists of items 103 thru 108
	70642739	1	-	VALVE ASSEMBLY, pressure regulating (For CONVERTER ASSEMBLY 70642740)	
	70658517	-	1	VALVE ASSEMBLY, pressure regulating (Consists of items 108 thru 113)	
99	70921565	2	1	CAPSCREW, 3/8"NC x 1-1/2"	
100	70927218	1	-	CAPSCREW, 3/8"NC x 2-3/4" (Not illustrated)	
101	70927446	2	6	CAPSCREW, 3/8"NC x 3"	
102	70928394	2	-	CAPSCREW, 3/8"NC x 3-3/4" (Not illustrated)	
103	70639627	1	-	HOUSING	
	70910231	5	-	PLUG, pipe, hex-socket, 1/8"NPT	
	70907859	2	-	PLUG, pipe, hex-socket, 1/4"NPT	
	70901666	3	-	PLUG, pipe, sq-socket, 1"NPT	
104	70639548	1	-	SPRING, lubricating valve (For VALVE ASSEMBLY 70640719)	
	70642734	1	-	SPRING, lubricating valve (For VALVE ASSEMBLY 70642739)	
105	70632636	1	-	PISTON, lubricating valve	
106	70642094	2	-	PIN, stop (1/4" x 1-1/2")	
107	70639533	1	-	PISTON, regulating valve	
108	70639551	1	1	SPRING, regulating valve	
109	-----	-	1	HOUSING, regulating valve (Not serviced separately)	
	70910231	-	1	PLUG, pipe, hex-socket, 1/8"NPT	
110	70658746	-	2	PLUG, regulating valve	
111	70918390	-	1	PIN, piston stop (3/8" x 1-1/4")	
112	70659774	-	1	PISTON, regulating valve	
113	70915904	-	1	BALL, steel, 5/16" diam. (Used selectively)	



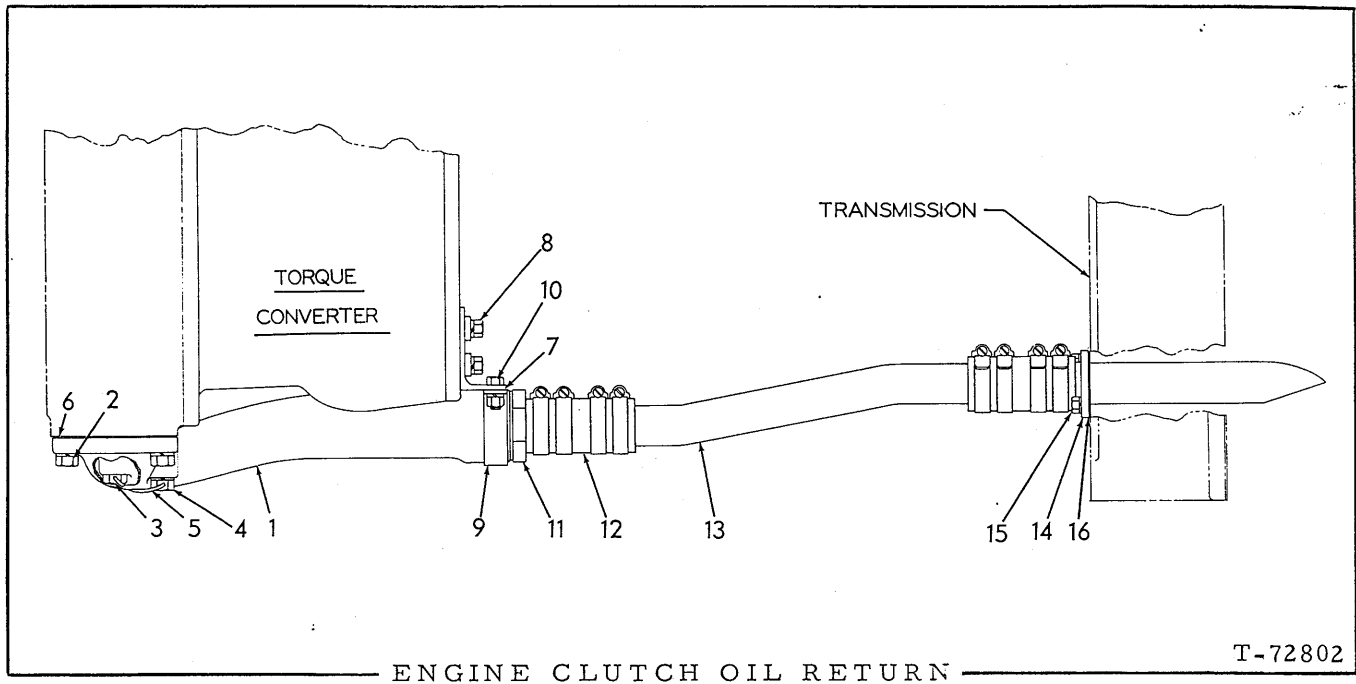
ENGINE CLUTCH SCAVENGING SYSTEM

(Revised August 1979)

ENGINE CLUTCH SCAVENGING SYSTEM

USAGE: Tractors prior to serial No. 14537

ITEM	PART NO.	QTY.	DESCRIPTION
1	70639518	1	HOSE ASSEMBLY, oil return, pump to transmission (Used prior to tractor #13116)(See HOSE PARTS)
	70919246	1	CONNECTOR, flare type, 1" tube, 3/4"NPT male
	70921215	1	ELBOW, adjustable, 45°, flare type, 1" tube, 1-5/16"NF (Includes washer, nut and O-RING 70921214)
	70644451	1	HOSE, oil return, pump to transmission (Effective with tractor #13116)(See HOSE PARTS)
	70921228	1	CONNECTOR, flare type, 1" tube, 1-5/16"NF (Includes O-RING 70921214)
	70921215	1	ELBOW, adjustable, 45°, flare type, 1" tube, 1-5/16"NF (Includes washer, nut and O-RING 70921214)
2	70644452	1	HOSE, oil return, flywheel housing to pump (See HOSE PARTS)
3	70641134	1	CONNECTOR, flare type, 1-1/4" tube, 1-5/16"NF (Includes O-RING 70921214)
4	70640575	1	ADAPTER, oil return hose
5	70641109	1	GASKET, oil return hose adapter
6	70641110	1	SCREEN, flywheel housing drain elbow
7	70640663	1	RING, sealing (rubber)
8	70641052	1	ELBOW, drain, flywheel housing
9	70035733	3	CAPSCREW, 1/2"NC x 1-3/8"
10	70054069	1	CAPSCREW, drilled-hd., 1/2"NC x 2"
11	70041481	1	CAPSCREW, drilled-hd., 1/2"NC x 2-1/4"
	70904208	4	LOCKWASHER, 1/2"
12	70023633	1	WIRE, locking, 1/16" x 12"
13	70640636	1	GASKET, flywheel housing drain elbow
14	70640667	1	BRACKET, supporting, drain elbow
15	70074145	2	CAPSCREW, 3/8"NC x 1-5/8"
	70904206	2	LOCKWASHER, 3/8"
	70044973	2	WASHER, plain
16	70640664	1	CLAMP, supporting, drain elbow
17	70035167	2	CAPSCREW, 3/8"NF x 7/8"
	70904206	2	LOCKWASHER, 3/8"
	70911041	2	NUT, 3/8"NF
18	70095869	1	CLIP, return hose (1-1/4" diam.)(Used prior to tractor #13738)
	70644457	1	CLIP, return hose (1-5/16" diam.)(Effective with tractor #13738)

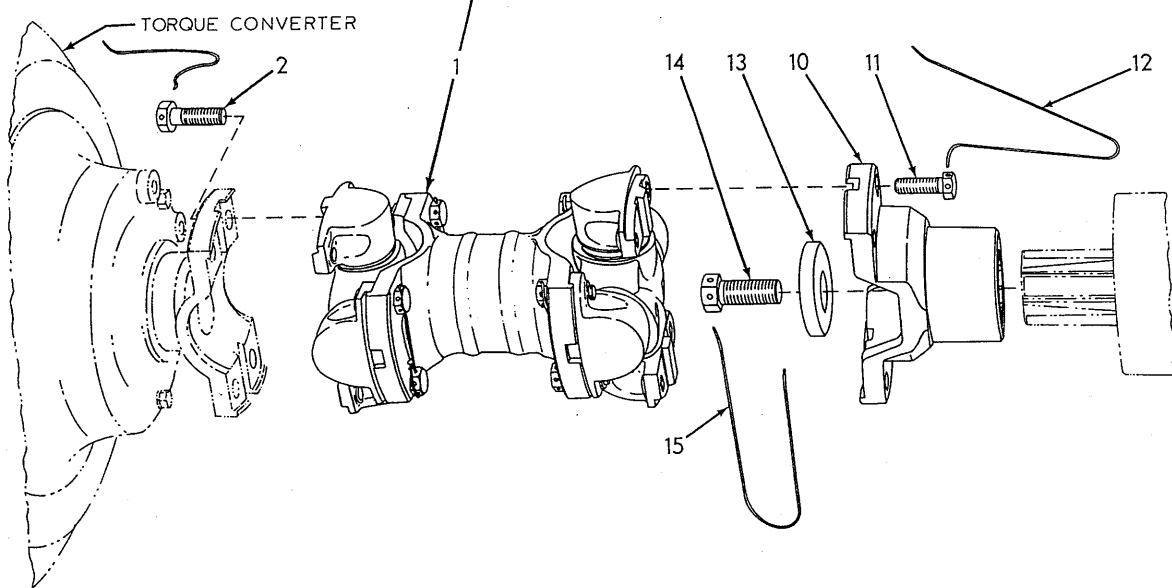
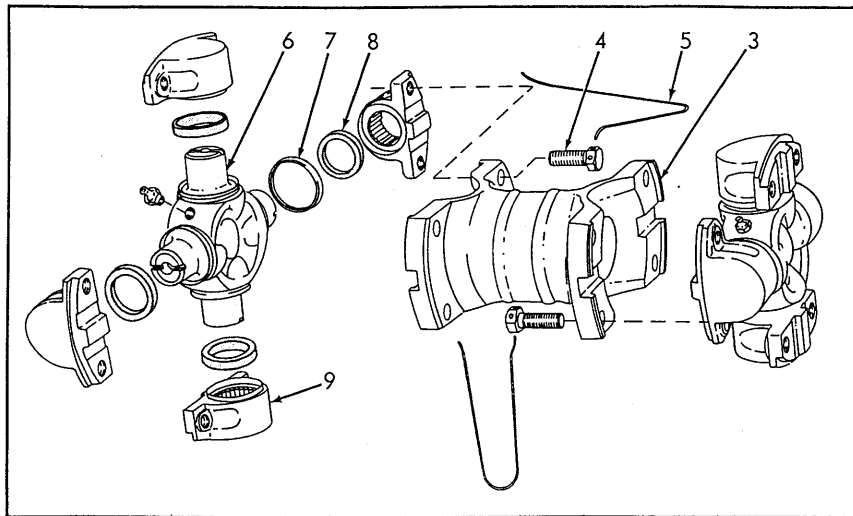


USAGE: Tractors serial No. 14537 and up

ITEM	PART NO.	QTY.	DESCRIPTION
1	70651629	1	ELBOW, drain, flywheel housing
2	70035733	3	CAPSCREW, 1/2"NC x 1-3/8"
3	70054069	1	CAPSCREW, drilled-hd., 1/2"NC x 2"
4	70041481	1	CAPSCREW, drilled-hd., 1/2"NC x 2-1/4"
5	70904208	4	LOCKWASHER, 1/2"
6	70023633	1	WIRE, locking, 1/16" x 12"
6	70640636	1	GASKET, flywheel housing drain elbow
7	70640667	1	BRACKET, supporting, drain elbow
8	70074145	2	CAPSCREW, 3/8"NC x 1-5/8"
	70904206	2	LOCKWASHER, 3/8"
	70044973	2	WASHER, plain
9	70640664	1	CLAMP, supporting, drain elbow
10	70035167	2	CAPSCREW, 3/8"NF x 7/8"
	70904206	2	LOCKWASHER, 3/8"
	70911041	2	NUT, 3/8"NF
11	70651694	1	ADAPTER, connecting hose (Includes O-ring 921887)
12	70631788	2	HOSE, connecting tube
	70921913	8	CLAMP, hose, 1-13/16" to 2-3/4" diam.
13	70651654	1	TUBE, connecting
14	70651698	1	TUBE, spill
15	70035439	2	CAPSCREW, 3/8"NC x 1"
	70904206	2	LOCKWASHER, 3/8"
16	70651655	1	GASKET, spill tube

(Revised August 1979)

MEMO



UNIVERSAL JOINT

T-71992

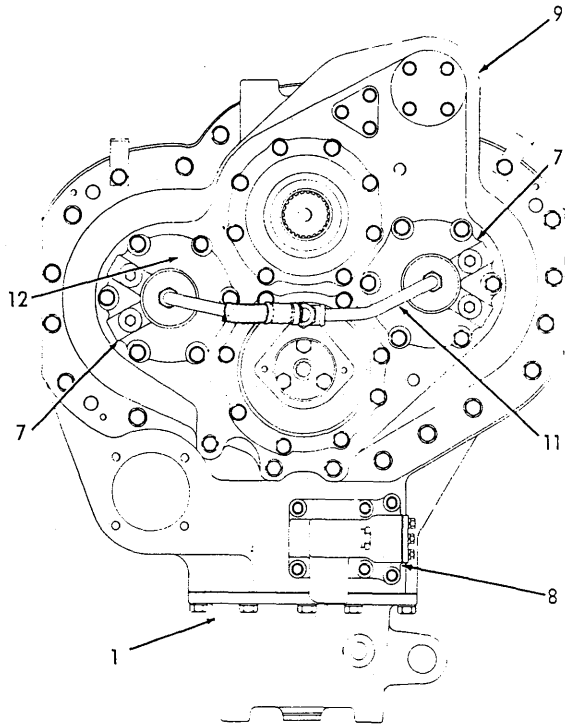
ITEM	PART NO.	QTY.	DESCRIPTION
1	70639511	1	JOINT ASSEMBLY, converter to transmission (Consists of items 3 thru 9)
2	70035689	4	CAPSCREW, drilled-hd., 1/2"NF x 1-3/8"
	70023633	2	WIRE, locking, 1/16" x 12"
3	70639510	1	TUBE, connecting
4	70035689	8	CAPSCREW, drilled-hd., 1/2"NF x 1-3/8"
5	70023633	4	WIRE, locking, 1/16" x 12"
6	70681049	2	SPIDER ASSY. (Serviced only as a unit)(Includes Spider and Bearings)
	70912808	2	FITTING, lubricating, straight, 1/4"NF (original equipment)
7	70069954	8	SHIELD, dust

(Continued)

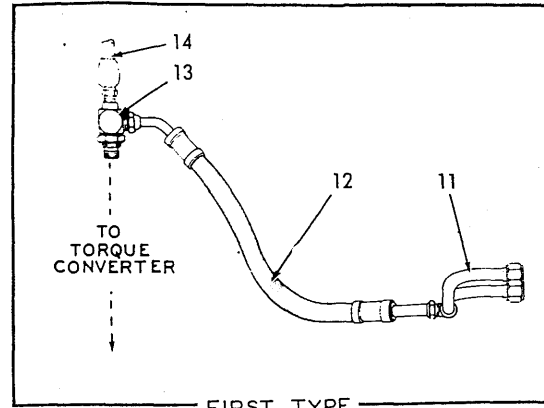
(Revised August 1979)

UNIVERSAL JOINT (Continued)

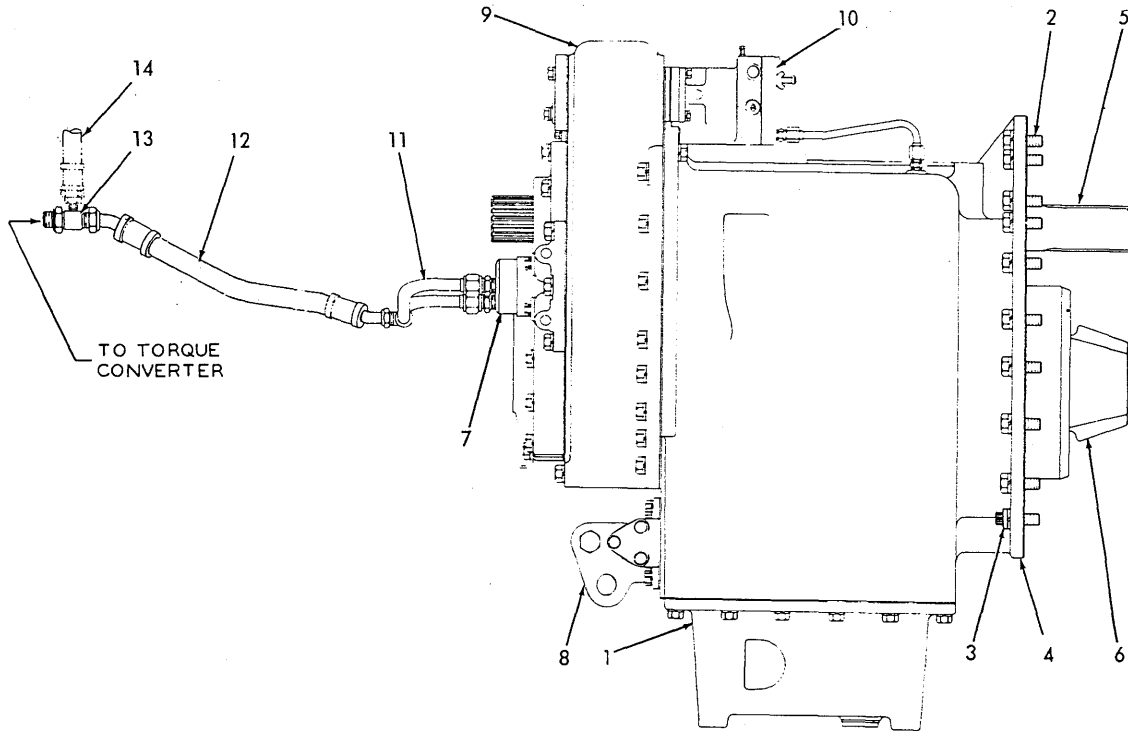
ITEM	PART NO.	QTY.	DESCRIPTION
8	70069965	8	WASHER, sealing, spider bearing
9	-----	8	BEARING ASSEMBLY (Order Spider Assy. 70681049)
10	70628794	1	YOKE, rear
11	70035689	4	CAPSCREW, drilled-hd., 1/2"NF x 1-3/8"
12	70023633	2	WIRE, locking, 1/16" x 12"
13	70052761	1	WASHER, yoke retaining
14	70075950	1	CAPSCREW, yoke retaining (drilled-hd., 3/4"NF x 1-3/4")
15	70023633	1	WIRE, locking, 1/16" x 12"



FRONT VIEW



— FIRST TYPE —



SIDE VIEW

— TRANSMISSION —

T-39378

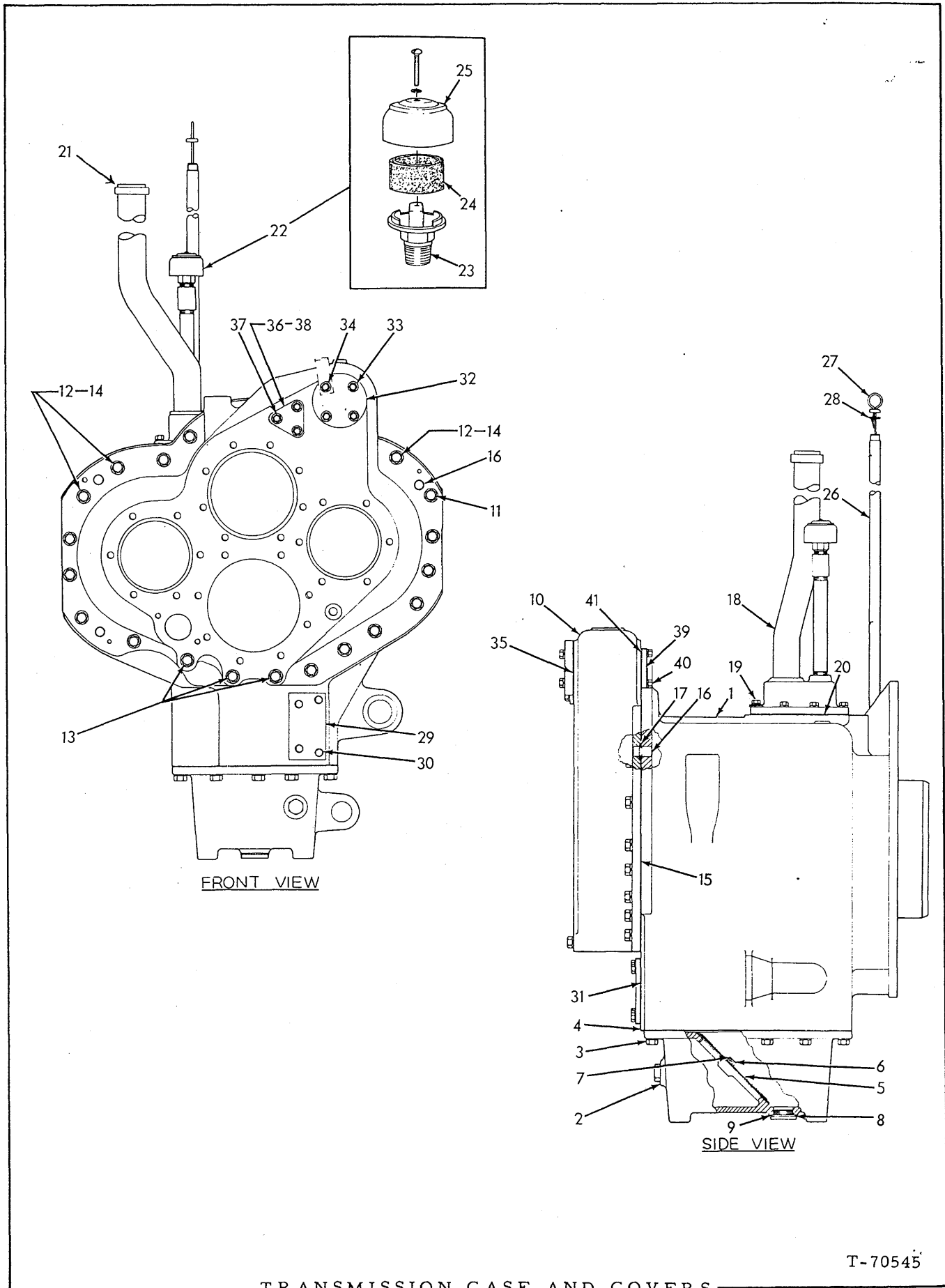
(Revised August 1979)

TRANSMISSION

* Tractors with Ground Speed Governor
 ** Tractors without Ground Speed Governor

ITEM	PART NO.	QTY.		DESCRIPTION
		*	**	
1	70644710	1	-	TRANSMISSION ASSEMBLY (Includes items 5, 6, 7, 9 and 10)(Tractors prior to # 14537. If for tractors prior to #13116 also order 1 each CONNECTOR 70921228, O-RING 70921887, HOSE 70640072, TUBE 70641962 and ADAPTER 70641963)
	70654401	1	-	TRANSMISSION ASSEMBLY (Includes items 5, 6, 7, 9 and 10)(Tractors # 14537 and up)
	70639940	-	1	TRANSMISSION ASSEMBLY (Includes items 5, 6, 7 and 9)(Tractors prior to #14537)
	70656231	-	1	TRANSMISSION ASSEMBLY (Includes items 5, 6, 7 and 9)(Tractors #14537 and up)
2	70631795	16	17	CAPSCREW, Nylok, 5/8"NF x 1-3/4"
3	70647555	3	3	CAPSCREW, 12-point, 5/8"NF x 1-3/4"
	70904209	20	20	LOCKWASHER, 5/8"
4	70657372	1	1	GASKET, case to steering clutch housing
5	-----	-	-	See TRANSMISSION INPUT SHAFT
6	-----	-	-	See TRANSMISSION BEVEL PINION SHAFT
7	-----	-	-	See TRANSMISSION CLUTCH SHAFTS
8	-----	-	-	See PUSH-START PUMP
9	-----	-	-	See TRANSMISSION CASE AND COVERS
10	-----	-	-	See GROUND SPEED GOVERNOR
11	70641093	1	1	TUBE ASSEMBLY, oil jumper (Includes nuts)
	70919472	2	2	CONNECTOR, flare type, 5/8" tube, 1/2"NPT male
12	70644968	1	1	HOSE, oil supply, converter to transmission (See HOSE PARTS) (Units with 21000H engine)
	70658607	1	1	HOSE, oil supply, converter to transmission (See HOSE PARTS) (Units with 21000-Mark II engine)
13	70641386	1	1	TEE, oil supply hose (Includes nut, washer and O-RING 70921206) (Units with 21000H engine)
	70658610	1	1	TEE, oil supply hose (Includes nut, washer and O-RING 70921206) (Units with 21000-Mark II engine)
14	-----	-	-	HOSE (See TRANSMISSION LUBRICATING OIL PRESSURE GAUGE)

(Revised August 1979)



FRONT VIEW

SIDE VIEW

T-70545

TRANSMISSION CASE AND COVERS

(Revised August 1979)

TRANSMISSION CASE AND COVERS

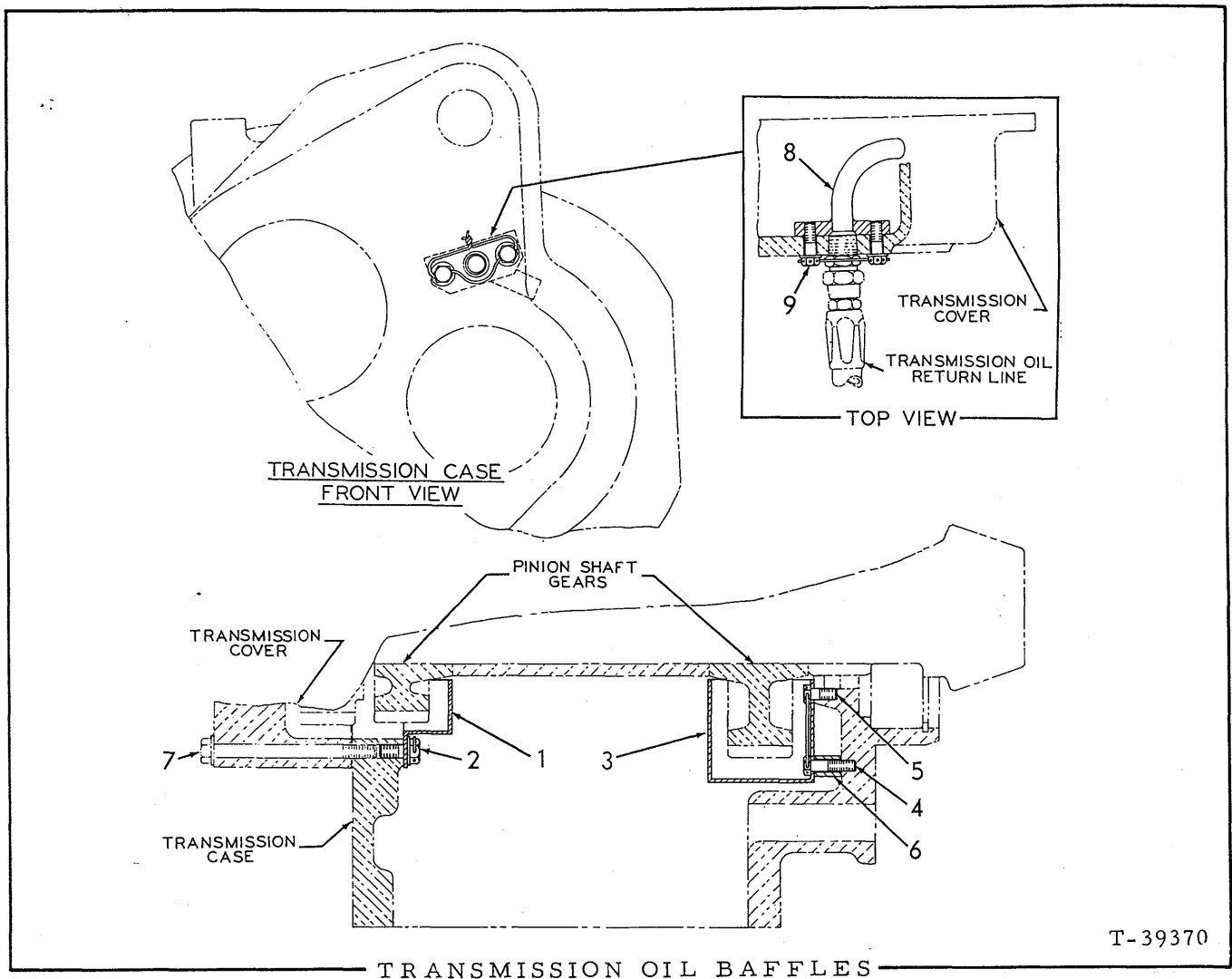
ITEM	PART NO.	QTY.	DESCRIPTION
1	70641872	1	CASE, transmission used prior to tractor #14537. If for tractors prior to #13116 also order TUBE 70641962, ADAPTER 70641963, O-RING 70921887, PLUG 70921216. If for tractors prior to #12930 also include PLUGS 70642669 and 70642670)
	70656197	1	CASE transmission (Tractors #14537 and up)
	70919840	1	PLUG, pipe, hex-hd., 1/4"NPT(Not used when GROUND SPEED GOVERNOR is installed)
2	70629367	1	PAN, oil
	70920525	1	PLUG, pipe, hex-hd., 3/4"NPT (Not used when special PUSH START PUMP is installed)
3	70920583	18	CAPSCREW, 1/2"NC x 1-1/2"
	70912441	18	LOCKWASHER, 1/2"
4	70629373	1	GASKET, oil pan
5	70632067	1	SCREEN, oil pan
6	70928532	2	CAPSCREW, drilled-hd., 3/8"NC x 3/4"
7	70023633	1	WIRE, locking, 1/16" x 12"
8	70035250	1	PLUG, drain
9	70035249	1	GASKET, drain plug
10	70628092	1	COVER, front (Used prior to tractor #13116)
	70640120	1	COVER, front (Tractors #13116 thru 14536)
	70651625	1	COVER, front (Tractors #14537 and up)
11	70920583	17	CAPSCREW, 1/2"NC x 1-1/2" (1 additional used prior to tractor #13678)
12	70920585	3	CAPSCREW, 1/2"NC x 1-3/4" (1 less used prior to tractor #13678)
13	70928351	3	CAPSCREW, 1/2"NC x 6"
	70912441	23	LOCKWASHER, 1/2"
14	70058614	3	WASHER, plain (1 less used prior to tractor #13678)
15	70657373	1	GASKET, front cover
16	70624695	3	PIN, dowel, front cover
17	70623804	3	RING, snap, dowel pin
18	70624520	1	FILLER, oil
19	70044249	10	CAPSCREW, 3/8"NC x 1-1/8"
	70904206	10	LOCKWASHER, 3/8"
20	70627346	1	GASKET, oil filler to case
21	70035250	1	PLUG, oil filler
22	-----	1	BREATHER ASSEMBLY (Consists of items 23 thru 25) (Original equipment)(Order 70679375)
	70679375	1	BREATHER ASSEMBLY (Service replacement)(Ser- viced only as a unit)
	70901767	1	COUPLING, pipe, 3/4"NPT
	70914838	1	NIPPLE, pipe, 3/4"NPT x 8"
23	73002767	1	BASE, breather
24	73002769	1	ELEMENT, breather

(Continued)

(Revised August 1979)

TRANSMISSION CASE AND COVERS (Continued)

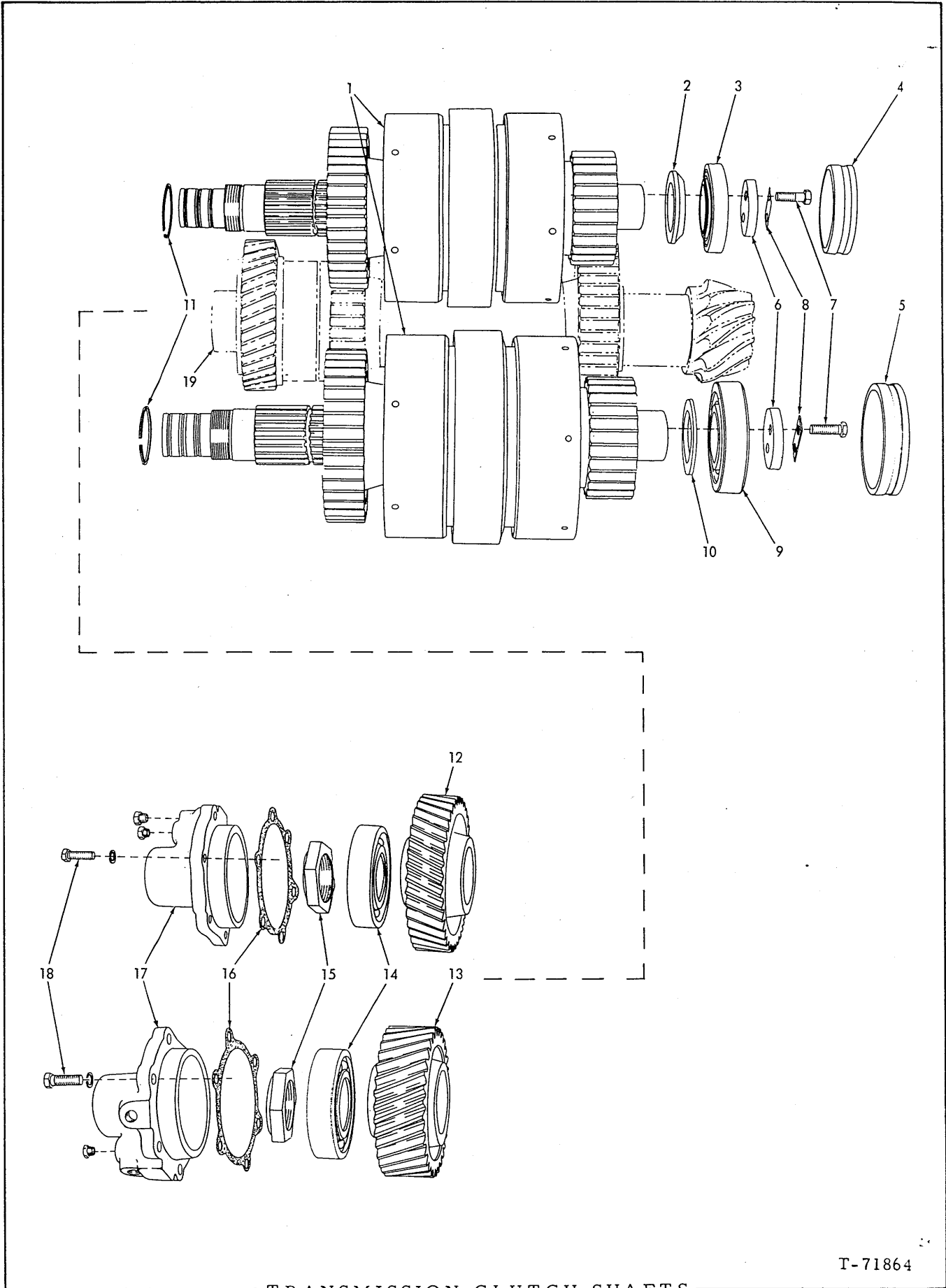
ITEM	PART NO.	QTY.	DESCRIPTION	
25	73002768	1	CAP, breather	
	70914172	1	SCREW, machine, #10NF x 1-1/4"	
	70904203	1	LOCKWASHER, #10	
26	70628877	1	PIPE, oil level gauge	
27	70650308	1	GAUGE ASSEMBLY, oil level (Includes item 28)	
28	70641922	1	WASHER, felt, oil level gauge	
29	70644421	1	COVER, diverter valve pad	} Not used when special PUSH- START PUMP is installed
30	70922763	4	CAPSCREW, 3/8"NC x 1"	
	70910287	4	LOCKWASHER, 3/8"	
31	70644422	1	GASKET, valve pad cover	
32	70628786	1	COVER, large hole	
33	70927157	3	CAPSCREW, 3/8"NC x 1-3/8"	
34	70070960	1	CAPSCREW, 3/8"NC x 1-1/2"	
	70910287	4	LOCKWASHER, 3/8"	
	70911115	1	WASHER, plain, SAE std., 3/8"	
35	70630582	1	GASKET, large hole cover	
36	70628761	1	COVER, small hole	
37	70927173	3	CAPSCREW, 3/8"NC x 1-1/8"	
	70910287	3	LOCKWASHER, 3/8"	
38	70630583	1	GASKET, small hole cover	
39	70630584	1	COVER, hole (rear)	} Not used on units with GROUND SPEED GOVERNOR
40	70921565	4	CAPSCREW, 5/16"NC x 1"	
	70910286	4	LOCKWASHER, 5/16"	
41	70628804	1	GASKET, rear cover	



T-39370

USAGE: Tractors prior to serial No. 13113

ITEM	PART NO.	QTY.	DESCRIPTION
1	70639894	1	BAFFLE, oil, front
2	70011259	2	CAPSCREW, drilled-hd., 1/2"NC x 1"
	70 910244	2	WASHER, plain, SAE std., 1/2"
	70J23633	1	WIRE, locking, 1/16" x 12"
3	70639887	1	BAFFLE, oil, rear
4	70021527	2	CAPSCREW, drilled-hd., 3/8"NC x 1-5/8"
5	70013044	1	CAPSCREW, drilled-hd., 3/8"NC x 7/8"
	70023633	1	WIRE, locking, 1/16" x 12"
6	70619331	2	BLOCK, spacing
7	-----	2	CAPSCREW, (See TRANSMISSION CASE AND COVERS)
	70630951	2	WASHER, plain
8	70639884	1	TUBE, oil return
9	70045617	2	CAPSCREW, drilled-hd., 3/8"NC x 1-1/4"
	70917264	2	WASHER, plain, 3/8" (copper)
	70023633	1	WIRE, locking, 1/16" x 12"

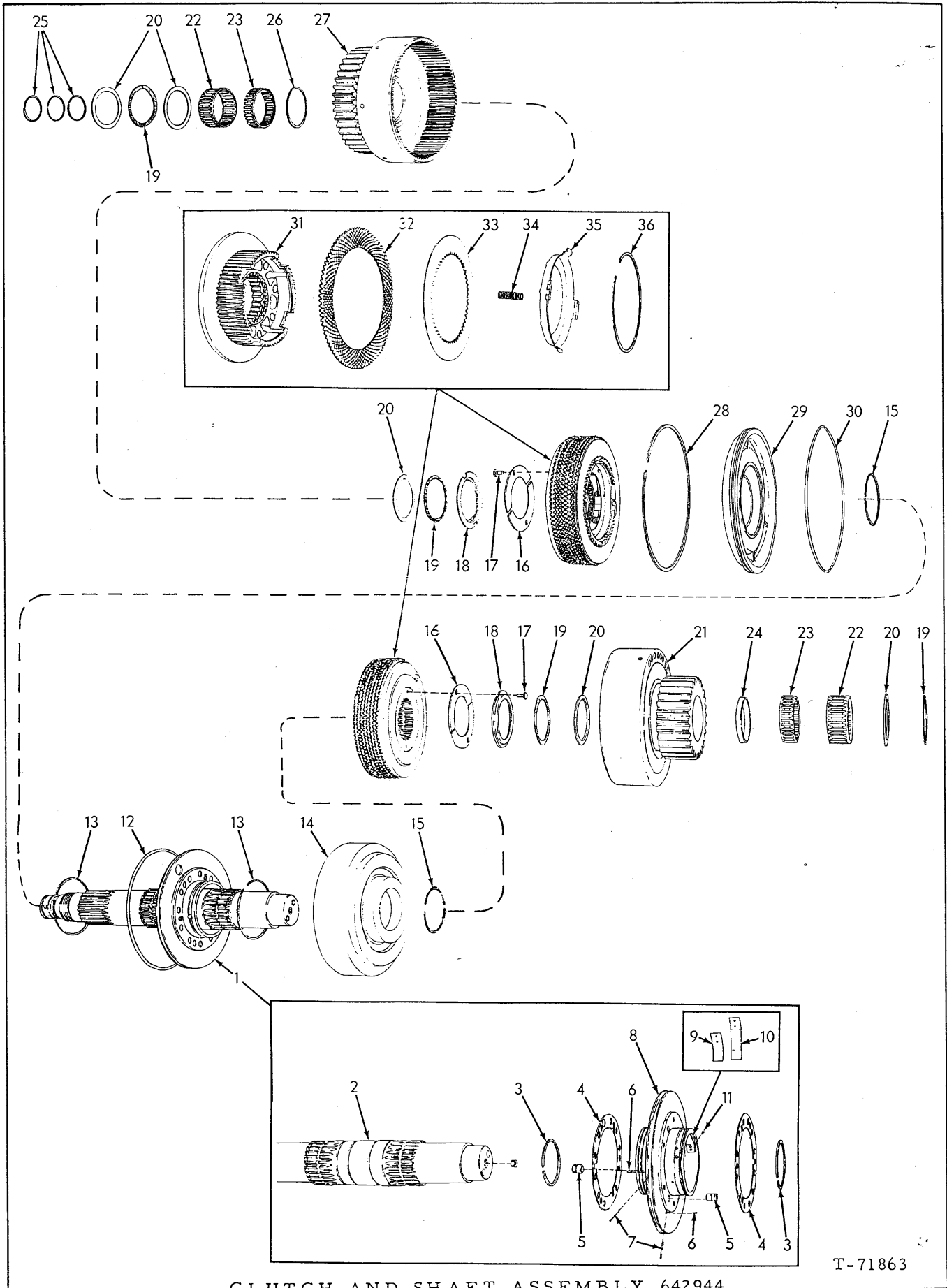


TRANSMISSION CLUTCH SHAFTS

T-71864

TRANSMISSION CLUTCH SHAFTS

ITEM	PART NO.	QTY.	DESCRIPTION
1	70642944	2	CLUTCH AND SHAFT ASSEMBLY (See page 129 for parts)
2	70629397	1	SPACER, rear bearing, reverse clutch
3	70042951	1	BEARING, roller, reverse clutch, rear
4	-----	1	RING, snap, reverse clutch rear bearing (Used prior to tractor #12930. Order PLUG 70642669)
	70642669	1	PLUG, cup, reverse clutch rear bearing (Effective with tractor #12930)
5	-----	1	RING, snap, forward clutch rear bearing (Used prior to tractor #12930. Order PLUG 70642670)
	70642670	1	PLUG, cup, forward clutch rear bearing (Effective with tractor #12930)
6	70629350	2	WASHER, clutch shaft end
7	70035018	4	CAPSCREW, 1/2"NF x 1-1/2"
8	70629349	2	PLATE, capscrew locking
9	70629347	1	BEARING, roller, forward clutch, rear
10	70629398	1	SPACER, rear bearing, forward clutch
11	70629346	2	RING, snap, clutch shaft
12	70639621	1	GEAR, driving, reverse clutch (37 teeth)
13	70639521	1	GEAR, driving, forward clutch (33 teeth)
14	70647996	2	BEARING, ball, front end
15	70639759	2	NUT, clutch shaft
16	70628784	2	GASKET, oil collector
17	70639501	2	COLLECTOR, oil
18	70919840	4	PLUG, pipe, hex-hd., 1/4"NPT
	70920583	12	CAPSCREW, 1/2"NC x 1-1/2"
	70912441	12	LOCKWASHER, 1/2"
19	-----	-	TRANSMISSION PINION SHAFT



CLUTCH AND SHAFT ASSEMBLY 642944

T-71863

CLUTCH AND SHAFT ASSEMBLY 70642944

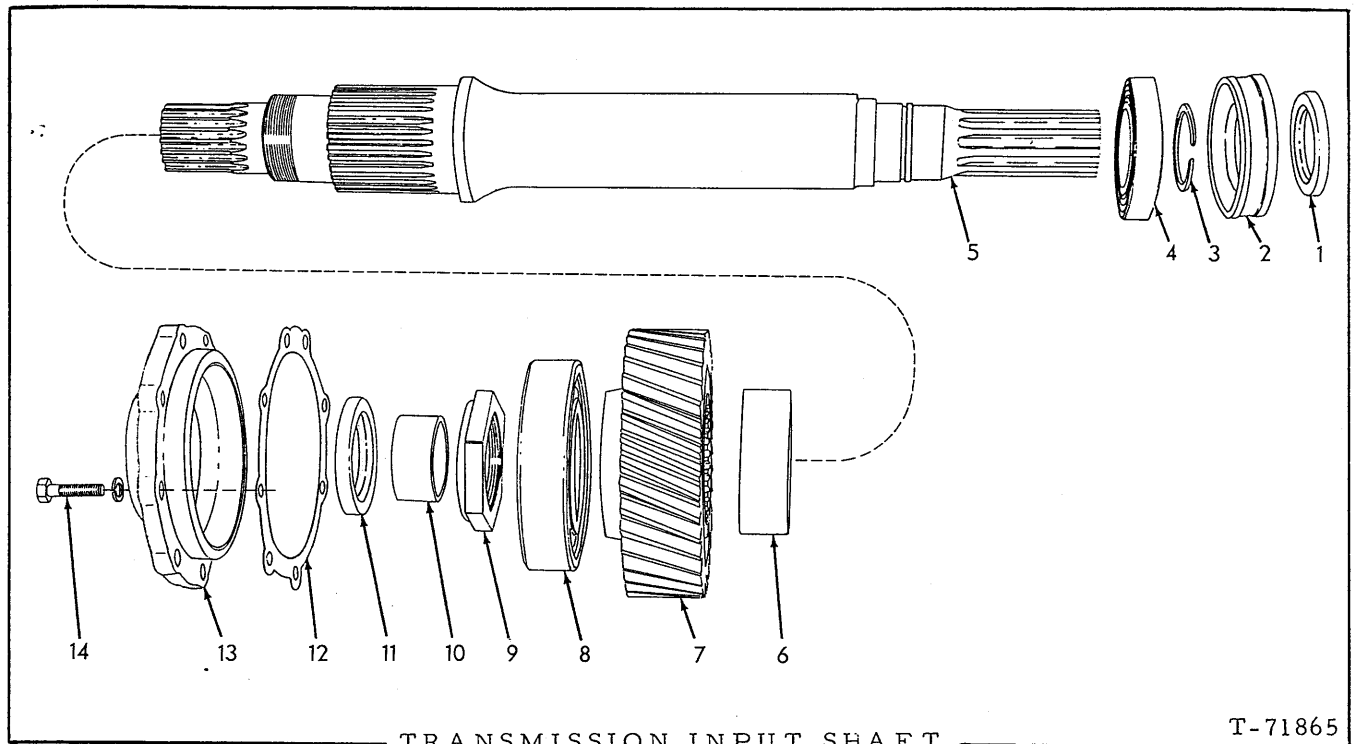
USAGE: See page 149

ITEM	PART NO.	QTY.	DESCRIPTION
			NOTE: All quantities indicated are for one (1) assembly only.
1	70642967	1	SHAFT ASSY. (Includes items 2 thru 11)
2	-----	1	SHAFT, only (Not serviced separately)
	70907859	1	PLUG, pipe, hex-socket, 1/4"NPT
3	70639588	2	RING, snap, carrier retaining
4	73037767	2	PLATE, valve
5	70639598	6	PISTON, valve actuating
6	70922745	6	PIN, retaining, piston stop pin
7	73037768	6	PIN, piston stop
8	70642144	1	CARRIER ASSY. (Includes items 9 thru 11)
9	70639579	2	VALVE, flapper
10	70642329	2	GUARD, flapper valve
11	70639578	6	RIVET, flapper valve
12	73037676	1	O-RING, carrier
13	73037675	2	RING, carrier sealing
14	73037669	1	HOUSING, piston
15	73037674	2	RING, shaft sealing, center
16	70639583	4	RETAINER, clutch hub (half only)
17	73037641	4	CAPSCREW, thin-hd., 5/16"NF x 1/2"
18	73037681	2	SPACER
19	73037597	4	BEARING, thrust
20	73037598	2	WASHER, thrust, inner and outer (3-47/64"O. D.) (1 less used with first type Gear and Drum)
	70699049	1	WASHER, thrust, inner (3-51/64" O. D.)(Effective with second type Gear and Drum)
21	70639573	1	GEAR AND DRUM, low speed (28 teeth)
22	73037656	2	BEARING, roller, clutch gear (1-1/2" wide)
23	70639547	2	BEARING, roller, clutch gear (1" wide)
24	70639566	1	SPACER, low speed gear bearing
25	73037629	3	RING, shaft sealing, end
26	70639565	1	SPACER, high speed gear bearing
27	70639549	1	GEAR AND DRUM (41 teeth)(First type)
	73108827	2	GEAR AND DRUM (41 teeth)(Second type)
28	73037677	1	RING, snap, actuating piston housing
29	73037667	1	PISTON, clutch actuating

(Continued)

CLUTCH AND SHAFT ASSEMBLY 642944 (Continued)

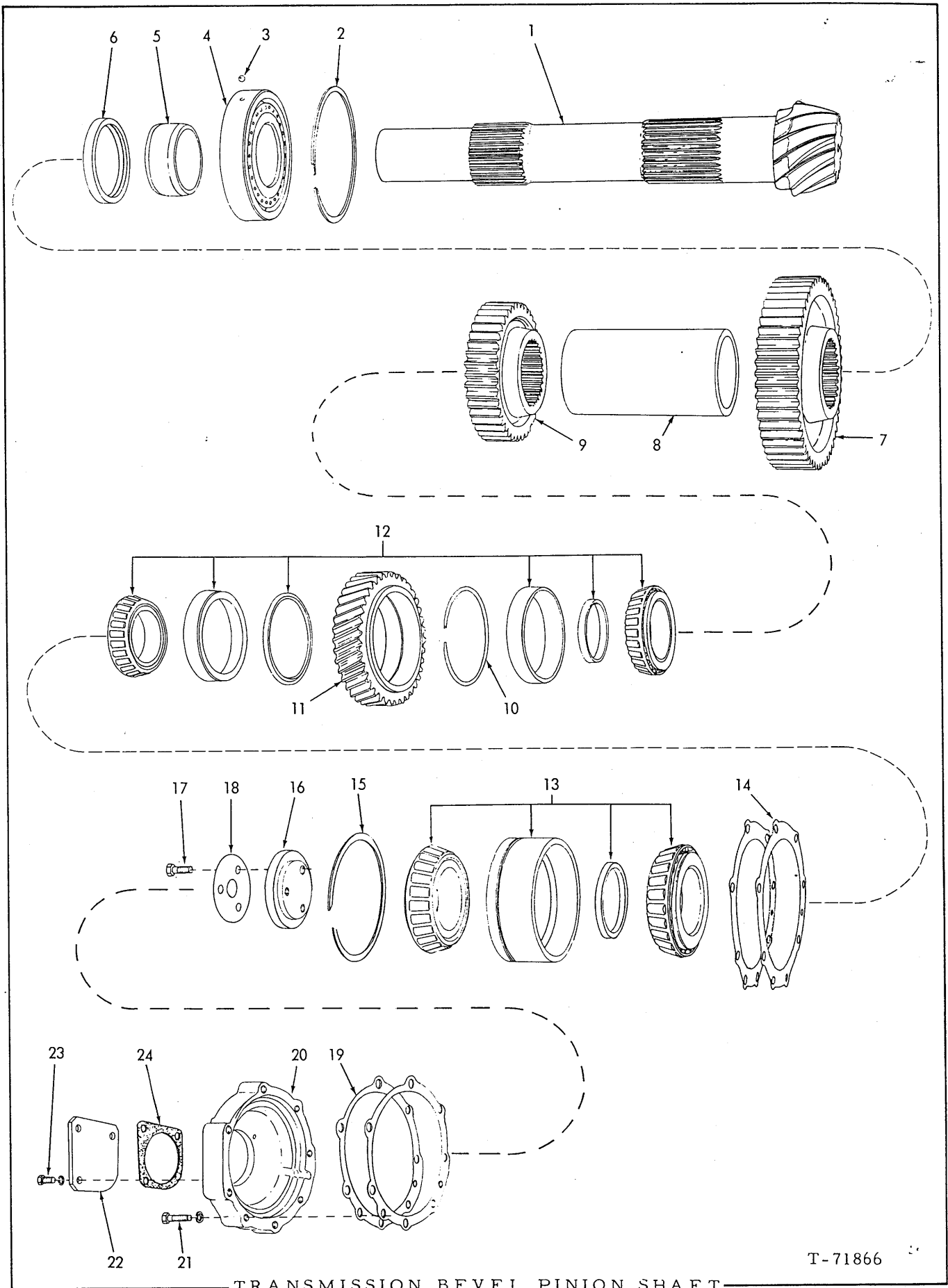
ITEM	PART NO.	QTY.	DESCRIPTION
30	73037684	1	SEAL, actuating piston
31	70643761	2	HUB, clutch (If for tractors prior to #13152 also order RETAINER 70643762)
32	73128188	16	PLATE, friction, outer
33	70642147	16	PLATE, friction, inner
34	70639556	16	SPRING, clutch hub
35	70643762	2	RETAINER, clutch hub spring (If for tractors prior to #13152, HUB (item 31) must be reworked per sketch S-3979)
36	73037678	2	RING, snap, spring retainer



TRANSMISSION INPUT SHAFT

T-71865

ITEM	PART NO.	QTY.	DESCRIPTION
1	70638607	1	SEAL, oil, rear end
2	70628789	1	RETAINER, rear oil seal
3	70624688	1	RING, snap, shaft
4	70624445	1	BEARING, roller
5	70628797	1	SHAFT
6	70628774	1	SPACER, drive gear
7	70628790	1	GEAR, drive (37 teeth)
8	70628767	1	BEARING, ball
9	70639760	1	NUT, bearing retaining
10	70628772	1	SLEEVE, wear, oil seal
11	70629040	1	SEAL, oil, front end
12	70628787	1	GASKET, oil seal retainer
13	70628796	1	RETAINER, front, oil seal
14	70920585	8	CAPSCREW, 1/2"NC x 1-3/4"
	70912441	8	LOCKWASHER, 1/2"



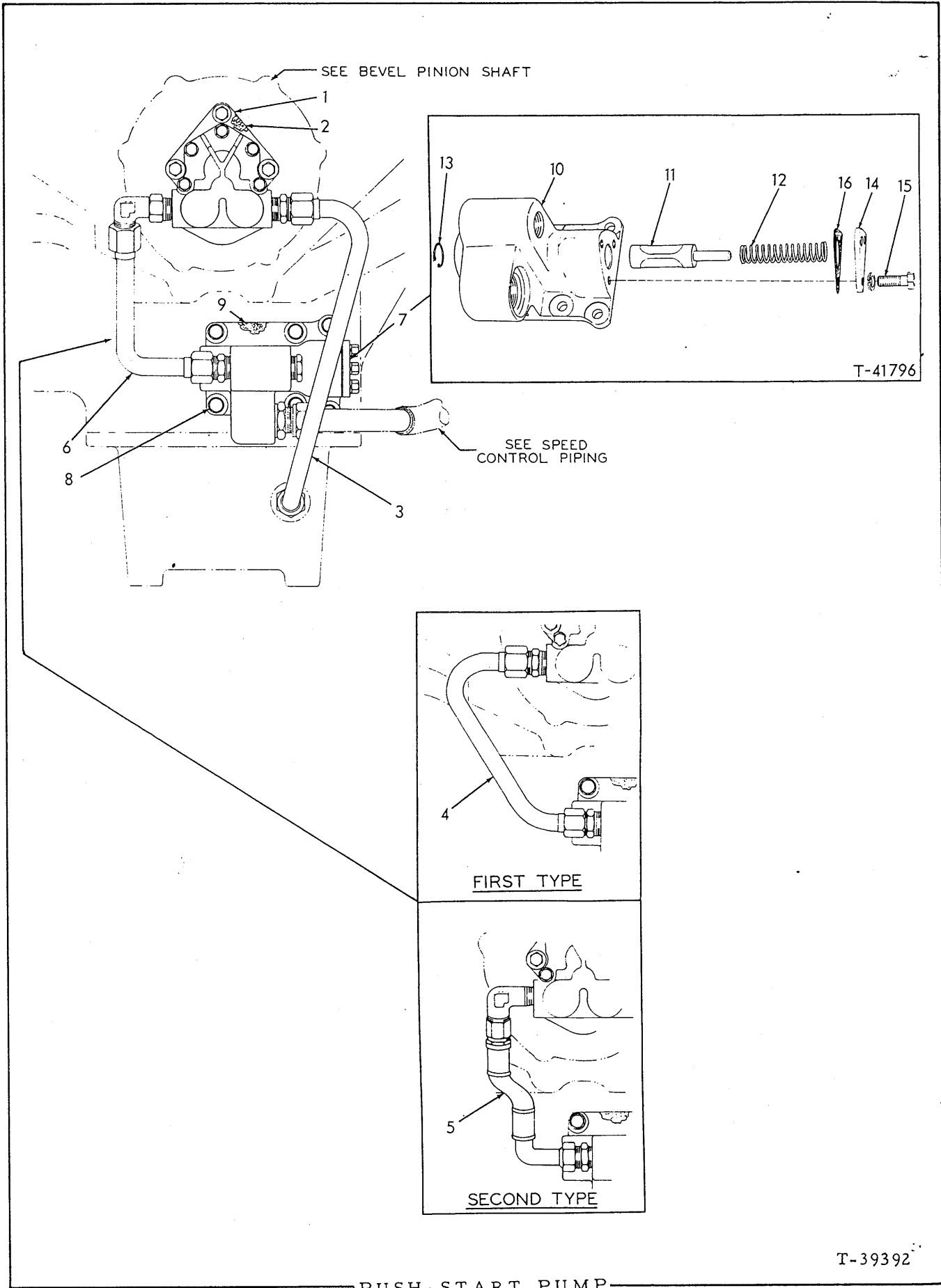
TRANSMISSION BEVEL PINION SHAFT

T-71866

TRANSMISSION BEVEL PINION SHAFT

ITEM	PART NO.	QTY.	DESCRIPTION	
1	70650007	1	PINION, bevel (12 teeth)	
2	70629355	1	RING, snap, bearing retaining	
3	70905360	1	BALL, retaining, rear bearing (3/8" diam.)(Effective with tractor #13116)	
4	70644337	1	BEARING, roller, rear end	
5	70628788	1	SPACER, low speed gear	
6	70648619	1	SEAL, oil	
7	70629402	1	GEAR, low speed (53 teeth)	
8	73110705	1	SLEEVE, gear spacing	
9	70629401	1	GEAR, high speed (40 teeth)	
10	70629138	1	RING, snap, idling gear	
11	70628792	1	GEAR, idling (38 teeth)	
12	70628130	1	BEARING, roller (Consists of 2 roller assemblies, 2 cups and 2 spacers. Serviced only as a unit)	
13	70628783	1	BEARING, roller, front end (Consists of 2 roller assemblies, 1 cup and 1 spacer. Serviced only as a unit)	
14	70628764	7	SHIM, pinion adjustment (.005" thick)	} Use as required
	70628762	7	SHIM, pinion adjustment (.007" thick)	
	70628763	7	SHIM, pinion adjustment (.010" thick)	
15	70628879	1	RING, snap, front bearing	
16	70629357	1	WASHER, end (For units with PUSH-START PUMP)	
	70644444	1	WASHER, end (For units without PUSH-START PUMP)	
17	70927522	3	CAPSCREW, 1/2"NF x 1-3/4"	
18	70629358	1	PLATE, capscREW locking	
19	70628765	5	SHIM, bearing retainer (.005" thick)	} Use as required
	70628766	5	SHIM, bearing retainer (.007" thick)	
20	70628769	1	RETAINER, front bearing	
21	70922526	7	CAPSCREW, 1/2"NC x 2-1/2"	
	70922510	1	CAPSCREW, 1/2"NC x 2-3/4"	
	70912441	8	LOCKWASHER, 1/2"	
22	70643027	1	COVER, push-start pump pad	} Effective with tractor #13678
23	70920539	3	CAPSCREW, Nylok, 3/8"NC x 1"	
	70904206	3	LOCKWASHER, 3/8"	
24	70632065	1	GASKET, pump pad cover	

(Revised August 1979)

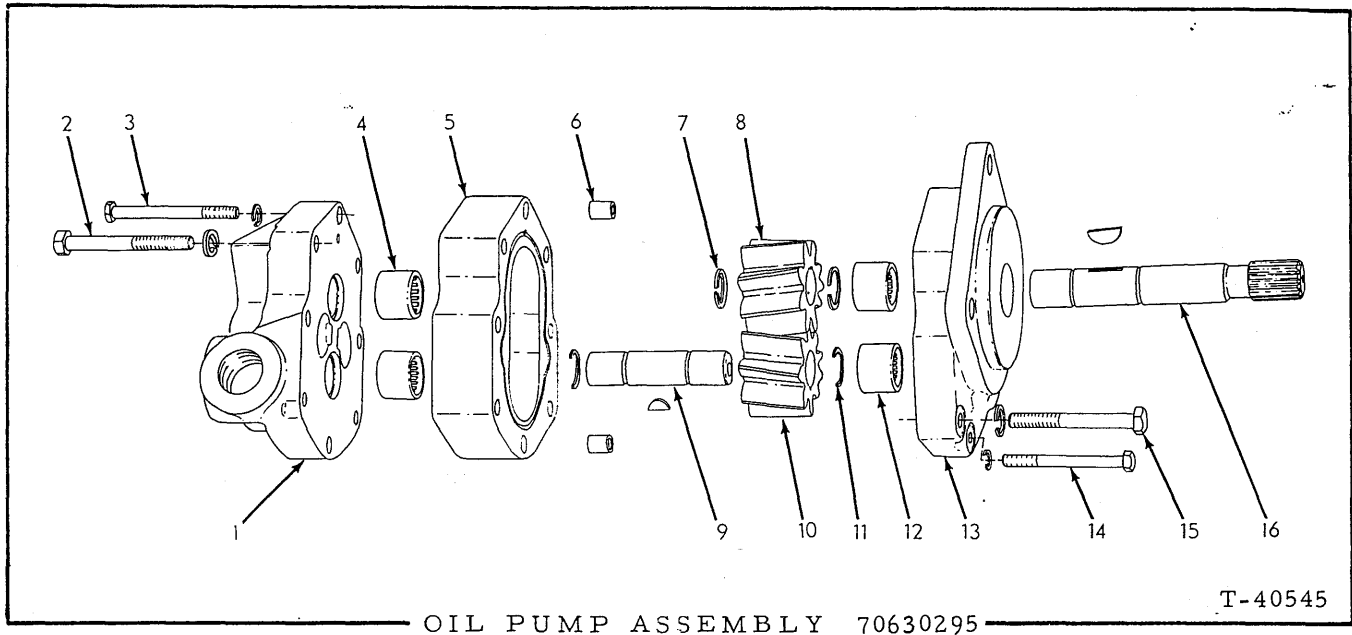


PUSH-START PUMP

USAGE: Standard on tractors prior to serial No. 13678; special thereafter

ITEM	PART NO.	QTY.	DESCRIPTION
1	70630295	1	PUMP ASSEMBLY, oil (See page 158 for parts)
	70920539	3	CAPSCREW, Nylok, 3/8"NC x 1"
	70904206	3	LOCKWASHER, 3/8"
2	70632065	1	GASKET, pump mounting
3	70632312	1	TUBE ASSEMBLY, suction (Includes nuts)
	70919342	2	CONNECTOR, flare type, 3/4" tube, 3/4"NPT male
4	70632296	1	TUBE ASSEMBLY, discharge (Includes nuts)(Used prior to tractor #14543)(Use Tube 70658600 and Elbow 70921840)
	70919342	2	CONNECTOR, flare type, 3/4" tube, 3/4"NPT male
5	70648793	1	HOSE, discharge (Effective tractors #14543 thru #14802)
	70919342	1	CONNECTOR, flare type, 3/4" tube, 3/4"NPT male
	70919269	1	ELBOW, flare type, 3/4" tube, 3/4NPT male
6	70658600	1	TUBE ASSEMBLY, discharge (Includes nuts)(Effective tractor #14803 and up)
	70919342	1	CONNECTOR, flare type, 3/4"tube, 3/4"NPT male
	70921840	1	ELBOW, flare type, swivel end, 3/4" tube, 3/4"NPT male
7	70628521	1	VALVE ASSEMBLY, diverting (Consists of items 10 thru 16)
	70920525	1	PLUG, pipe, hex-hd., 3/4"NPT
8	70922763	6	CAPSCREW, 3/8"NC x 1"
	70910287	6	LOCKWASHER, 3/8"
9	70627347	1	GASKET, diverting valve
10	70628065	1	HOUSING, diverting valve
11	70629391	1	SPOOL, diverting valve
12	70035337	1	SPRING, diverting valve
13	70075354	1	RING, snap, diverting valve
14	70629393	1	PLATE, cover, diverting valve
15	70922763	3	CAPSCREW, 3/8"NC x 1"
	70910287	3	LOCKWASHER, 3/8"
16	70629392	1	GASKET, diverting valve cover plate

(Revised August 1979)



USAGE: See page 157

ITEM	PART NO.	QTY.	DESCRIPTION
1	70641854	1	COVER ASSEMBLY (Includes item 4)
2	70086546	4	CAPSCREW, 5/16"NC x 2-3/4"
	70904205	4	LOCKWASHER, 5/16"
3	70641564	1	CAPSCREW, 1/4"NC x 2-3/4"
	70904204	1	LOCKWASHER, 1/4"
4	70208253	2	BEARING, needle, rear end
5	73038935	1	PLATE, gear
6	73038937	2	PIN, dowel (hollow)
7	73038933	2	RING, snap, drive shaft
8	73038938	1	GEAR, drive shaft
9	70641839	1	SHAFT, idler gear
	70921396	1	KEY, woodruff, 1/8" x 3/8"
10	70641841	1	GEAR, idler
11	73039013	2	RING, snap, idler shaft
12	70208253	2	BEARING, needle, drive end
13	70641855	1	BODY ASSEMBLY (Includes item 12)
14	70611975	1	CAPSCREW, 1/4"NC x 2-1/2"
	70904204	1	LOCKWASHER, 1/4"
15	70033751	2	CAPSCREW, 5/16"NC x 2-1/2"
	70904205	2	LOCKWASHER, 5/16"
16	70641840	1	SHAFT, drive
	70905122	1	KEY, woodruff, 1/8" x 3/4"

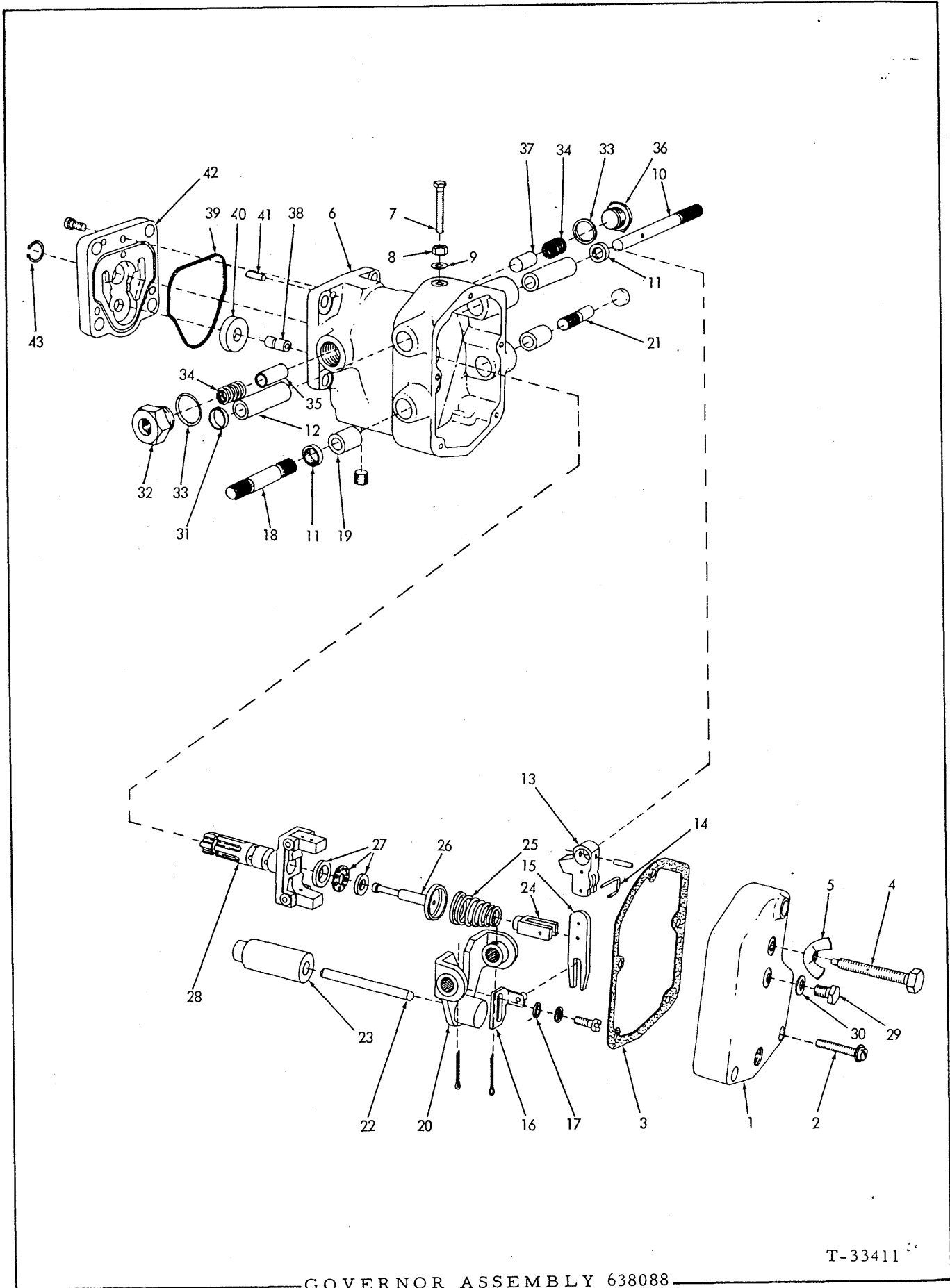
GOVERNOR ASSEMBLY 70638088

USAGE: See page 163

ITEM	PART NO.	QTY.	DESCRIPTION
1	70628401	1	COVER
2	70638236	3	SCREW ASSEMBLY (Includes lockwasher)
3	70628399	1	GASKET, cover to case
4	70629890	1	SCREW, low speed adjustment
5	70628378	1	NUT, wing, 1/4"NF
6	70629909	1	CASE ASSEMBLY (Includes items 12, 19 and 38)
	70910231	1	PLUG, pipe, hex-socket, 1/8"NPT
7	70628382	1	CAPSCREW, high speed adjustment
8	70628381	1	NUT, hex, #10-32NF
9	70631106	1	WASHER, high speed adjustment capscrew
10	70629887	1	SHAFT, speed control
11	70629898	2	SEAL, oil
12	70629900	2	BEARING, plain, speed control shaft
13	70629881	1	LEVER, speed control
	70919180	1	PIN, roll, 1/8" x 5/8"
14	70629879	1	PIN, speed control lever
15	70629882	1	LEVER, floating
16	70629895	1	BRACKET ASSEMBLY, speed droop adjustment (Includes pin)
	70901781	1	SCREW, machine, fil-hd., #10-32NF x 1/2"
	70909055	1	LOCKWASHER, int-tooth, #10
17	70629901	1	WASHER, plain
18	70629886	1	SHAFT, terminal
19	70629899	2	BEARING, plain, terminal shaft
20	70629894	1	LEVER, terminal shaft
	70900801	2	PIN, cotter, 3/32" x 3/4"
21	70629885	1	SHAFT, stub, terminal shaft lever
22	70629907	1	PIN, power piston
23	70629884	1	PISTON, power
24	70629897	1	FORK, ballhead spring
25	70638232	1	SPRING, ballhead
26	70629888	1	PLUNGER, ballhead
27	70628384	1	BEARING, thrust, ballhead plunger
28	70634427	1	BALLHEAD ASSEMBLY (Includes weights. Serviced only as a balanced unit)

(Continued)

(Revised August 1979)



GOVERNOR ASSEMBLY 638088

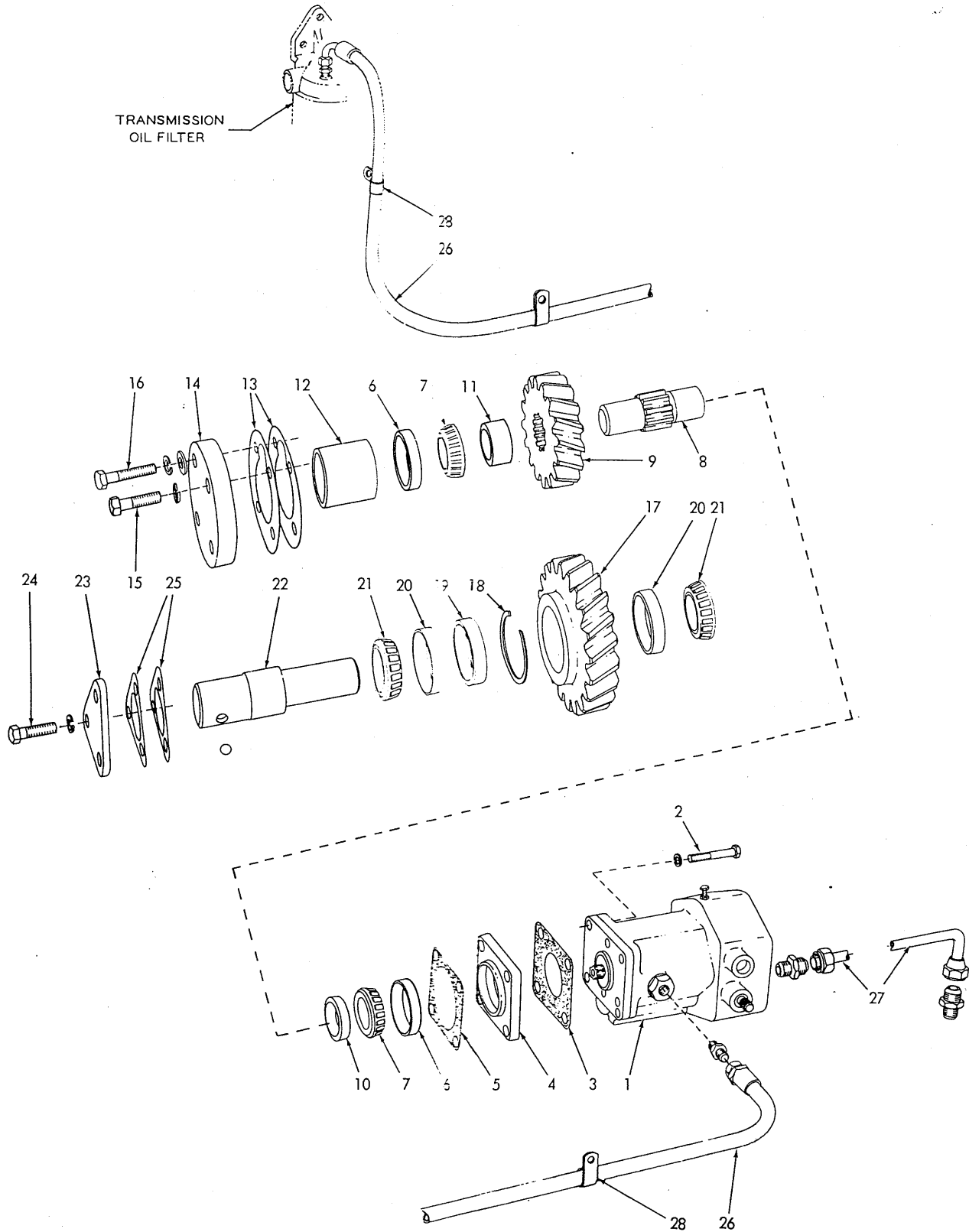
T-33411

GOVERNOR ASSEMBLY 70638088 (Continued)

ITEM	PART NO.	QTY.	DESCRIPTION
29	70628403	1	CAPSCREW, vent
30	70628402	1	WASHER, vent capscrew
31	70629908	2	PLUG, cup, governor case
32	70629892	1	PLUG, oil inlet
33	70629902	2	WASHER, oil inlet plug
34	70629904	2	SPRING, oil inlet sleeve
35	70629891	1	SLEEVE, oil inlet
36	70629893	1	PLUG, governor case
37	70629889	1	PLUG, oil passage
38	-----	1	STUD, locating, base spacer
39	70628392	1	RING, sealing, governor base
40	70628391	1	SPACER, governor base
41	70629906	2	PIN, dowel (Standard size)
	70630578	2	PIN, dowel (Oversize)
42	70628388	1	BASE
	70901223	3	SCREW, machine, fil-hd., #12-24NC x 1/2"
43	70628389	1	RING, snap, ballhead

(Revised August 1979)

TRANSMISSION
OIL FILTER



GROUND SPEED GOVERNOR

T-41802

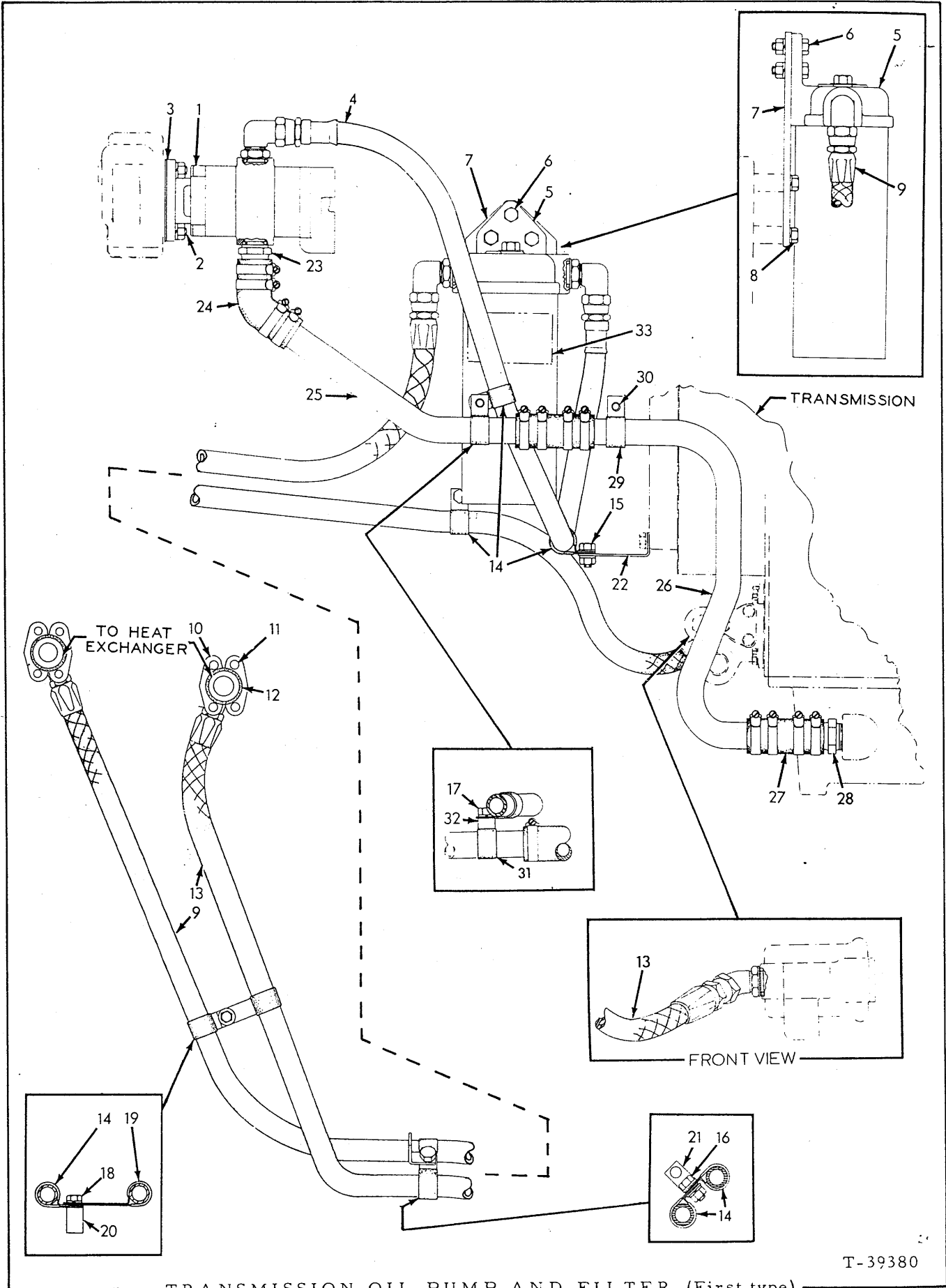
(Revised August 1979)

GROUND SPEED GOVERNOR

USAGE: Standard on tractors prior to serial No. 13831; special thereafter.

ITEM	PART NO.	QTY.	DESCRIPTION	
1	70638088	1	GOVERNOR ASSEMBLY (See page 159 for parts)	
2	70068320	4	CAPSCREW, 5/16"NC x 2"	
	70904205	4	LOCKWASHER, 5/16"	
3	70624706	1	GASKET, governor mounting	
4	70628802	1	RETAINER, drive shaft bearing	
5	70628804	1	GASKET, bearing retainer	
6	70336916	2	CUP, upper shaft bearing	
7	70336917	2	CONE ASSEMBLY, upper shaft bearing	
8	70628803	1	SHAFT, upper gear	
9	70628798	1	GEAR, upper (16 teeth)	
10	70628777	1	SPACER, upper gear, rear	
11	70628778	1	SPACER, upper gear, front	
12	70628779	1	SPACER, upper shaft bearing	
13	70628780	2	SHIM, bearing adjustment (.005" thick)	} Use as required
	70628781	2	SHIM, bearing adjustment (.007" thick)	
	70628782	5	SHIM, bearing adjustment (.010" thick)	
14	-----	1	COVER, upper shaft	} See TRANSMISSION CASE AND COVERS
15	-----	3	CAPSCREW, 3/8"NC x 1-3/8"	
16	-----	1	CAPSCREW, 3/8"NC x 1-1/2"	
	-----	4	LOCKWASHER, 3/8"	
	-----	1	WASHER, plain, SAE std., 3/8"	
17	70628805	1	GEAR, lower (20 teeth)	
18	70068173	1	RING, snap, lower gear	
19	70628799	1	SPACER, lower gear bearing	
20	70336916	2	CUP, lower gear bearing	
21	70336917	2	CONE ASSEMBLY, lower gear bearing	
22	70628768	1	SHAFT, lower gear	
	70905359	1	BALL, steel, 5/16" diam.	
23	-----	1	COVER, lower shaft	} See TRANSMISSION CASE AND COVERS
24	-----	3	CAPSCREW, 3/8"NC x 1-1/8"	
	-----	3	LOCKWASHER, 3/8"	
25	70628760	2	SHIM, bearing adjustment (.005" thick)	} Use as required
	70628759	2	SHIM, bearing adjustment (.007" thick)	
	70628758	2	SHIM, bearing adjustment (.010" thick)	
26	70645088	1	HOSE, oil supply (See HOSE PARTS)(Tractors prior to #14537)	
	70919072	1	CONNECTOR, flare type, 3/8" tube, 1/8"NPT male	
	70920316	1	ELBOW, flare type, 45°, 3/8" tube, 1/4"NPT male	
	70654501	1	HOSE, oil supply (See HOSE PARTS)(Tractors #14537 and up)	
	70919062	1	CONNECTOR, flare type, 3/8" tube, 1/4" NPT male	
	70919072	1	CONNECTOR, flare type, 3/8" tube, 1/8"NPT male	
27	70632277	1	TUBE ASSEMBLY, oil return (Includes nuts)	
	70919062	2	CONNECTOR, flare type, 3/8" tube, 1/4"NPT male	
28	70621304	4	CLIP, hose supporting (17/32" bolt-hole)(Tractors prior to #14537)	
	70094467	3	CLIP, hose supporting (13/32" bolt-hole)(Tractors #14537 and up)	
	70036032	1	CAPSCREW, 3/8"NF x 3/4"	
	70904206	1	LOCKWASHER, 3/8"	
	70911041	1	NUT, 3/8"NF	

(Revised August 1979)



TRANSMISSION OIL PUMP AND FILTER (First type)

T-39380

TRANSMISSION OIL PUMP AND FILTER (First type)

USAGE: Tractors prior to serial No. 13678

ITEM	PART NO.	QTY.	DESCRIPTION
1	70639503	1	PUMP ASSEMBLY, oil (See page 174 for parts)(Used prior to tractor #12995, excluding #12978 thru #12982 and #12989. Order PUMP ASSEMBLY 70642227)
	70642227	1	PUMP ASSEMBLY, oil (See page 174 for parts)(Effective with tractor #12995, including #12978 thru #12982 and #12989)
2	70639637	4	STUD, pump retaining
	70904208	4	LOCKWASHER, 1/2"
	70911043	4	NUT, 1/2"NF
3	70634271	1	GASKET, pump to torque converter
4	70644931	1	HOSE, pump to filter (See HOSE PARTS)
	70921227	2	ELBOW, adjustable, 90°, flare type, 1" tube, 1-5/16"NF (Includes washer, nut and O-RING 70921214)
5	70637865	1	FILTER ASSY., oil (See page 172 for parts)(Order FILTERASSY 70659519)
6	70035073	3	CAPSCREW, 1/2"NF x 1-3/4"
	70904208	3	LOCKWASHER, 1/2"
	70911043	3	NUT, 1/2"NF
7	70639863	1	PLATE, filter mounting
8	70070469	4	CAPSCREW, 1/2"NF x 1-1/4"
	70904208	4	LOCKWASHER, 1/2"
9	70639516	1	HOSE ASSEMBLY, filter to heat exchanger (See HOSE PARTS)
	70921227	1	ELBOW, adjustable, 90°, flare type, 1" tube, 1-5/16"NF (Includes washer, nut and O-RING 70921214)
10	70921117	4	FLANGE, hose attaching (half only)
11	70041250	8	CAPSCREW, 7/16"NC x 1-1/4"
	70904207	8	LOCKWASHER, 7/16"
12	70923664	2	O-RING, hose flange
13	70639531	1	HOSE ASSEMBLY, heat exchanger to transmission (See HOSE PARTS)
	70921215	1	ELBOW, adjustable, 45°, flare type, 1" tube, 1-5/16"NF (Includes washer, nut and O-RING 70921214)
14	70095869	6	CLIP, hose supporting (short type)
15	70070467	1	CAPSCREW, 1/2"NF x 1"
16	70035525	1	CAPSCREW, 1/2"NF x 1-1/8"
17	70035073	1	CAPSCREW, 1/2"NF x 1-3/4"
18	70012871	1	CAPSCREW, 1/2"NC x 2-3/4"
	70904208	4	LOCKWASHER, 1/2"
	70910244	4	WASHER, plain, SAE std., 1/2"
	70911043	2	NUT, 1/2"NF
19	70641906	1	CLIP, hose supporting (long type)
20	70613231	1	BLOCK, hose supporting

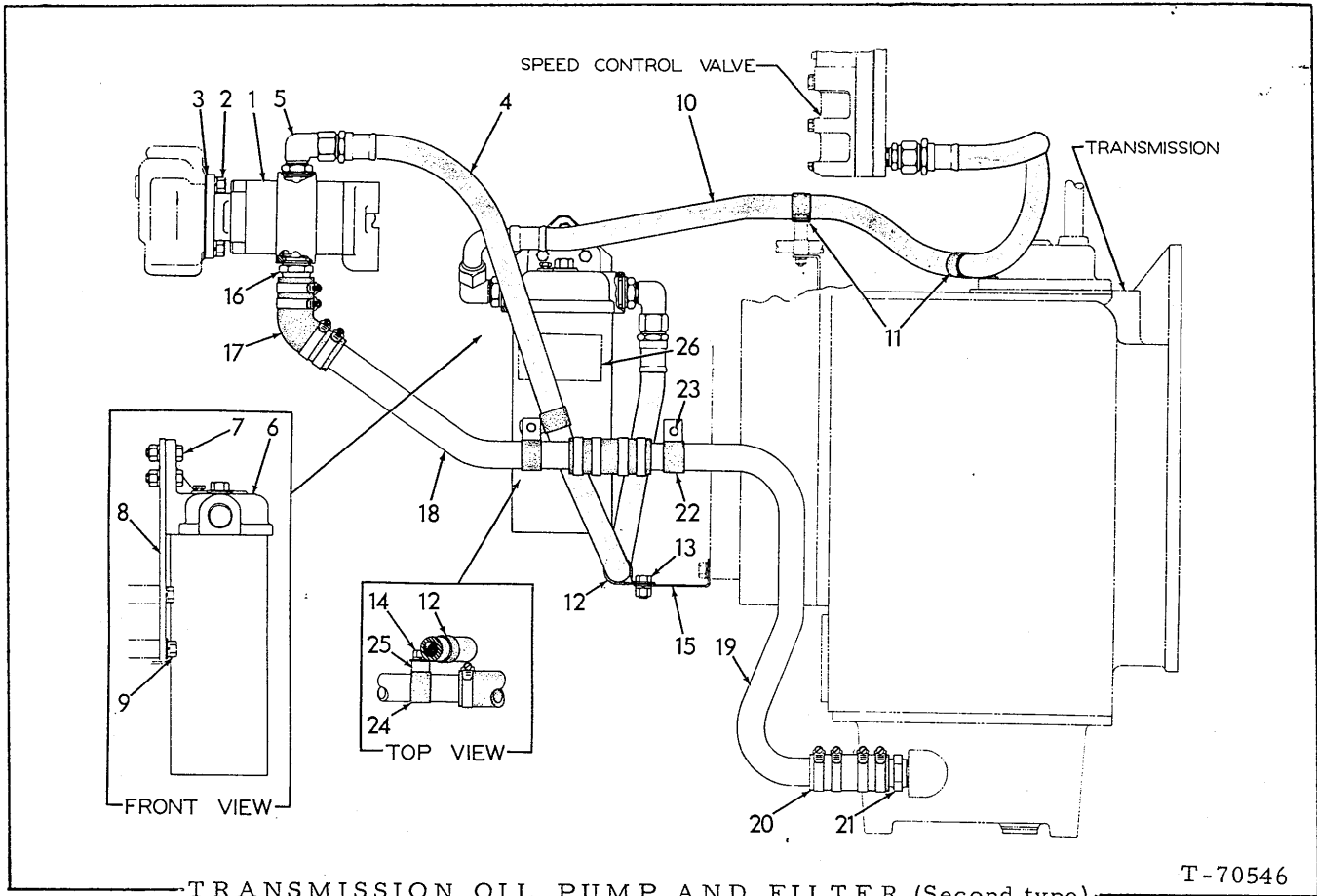
(Continued)

TRANSMISSION OIL PUMP AND FILTER (First type)(Continued).

ITEM	PART NO.	QTY.	DESCRIPTION
21	70638397	1	ANGLE, hose supporting
22	70632436	1	BRACKET, hose supporting
23	70632161	1	ADAPTER, suction line upper
	70921214	1	O-RING, adapter sealing
24	70631790	1	BOOT, suction line
	70921912	4	CLAMP, hose, 1-1/16" to 2" diam.
25	70639545	1	TUBE, suction line, front section
26	70632297	1	TUBE, suction line, rear section (Used prior to tractor #13116)
	70642937	1	TUBE, suction line, rear section (Effective with tractor #13116)
27	70631788	2	HOSE, suction line
	70921912	8	CLAMP, hose, 1-1/16" to 2" diam.
28	70631791	1	ADAPTER, suction line, lower
29	70632547	1	CLIP, tube supporting, rear
30	70070469	1	CAPSCREW, 1/2"NF x 1-1/4"
	70904208	1	LOCKWASHER, 1/2"
	70910244	1	WASHER, plain, SAE std., 1/2"
31	70641112	1	CLIP, tube supporting, front
32	70064384	1	BOSS, clip spacing
33	-----	-	TRANSFER (See PAINTING AND MARKING)

(Revised August 1979)

MEMO



USAGE: Tractors serial No. 13678 thru 14536 excluding Nos. 14496, 14507, 14509, 14511, 14513 and 14522 thru 14525

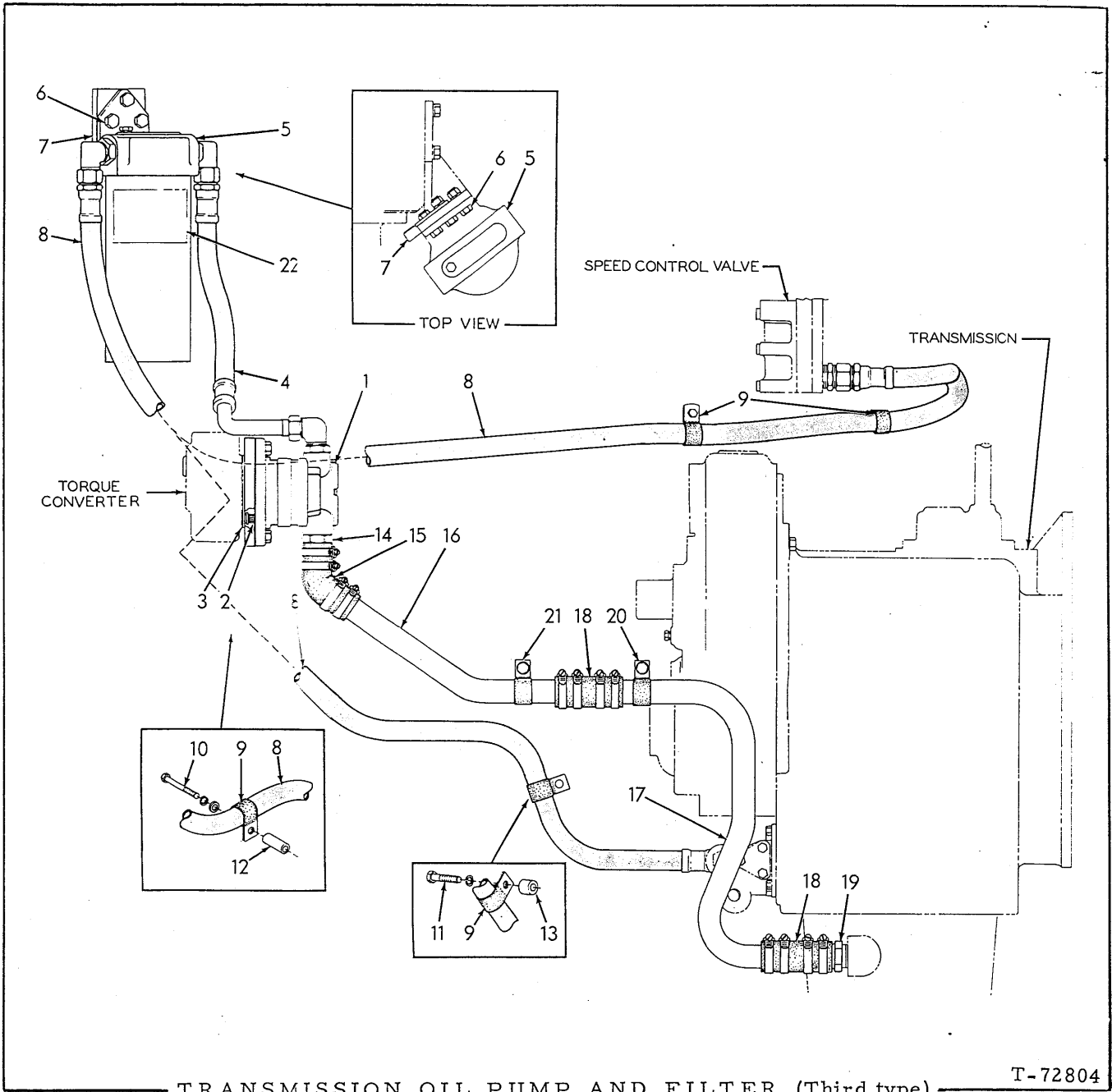
ITEM	PART NO.	QTY.	DESCRIPTION
1	70642227	1	PUMP ASSEMBLY, oil (See page 174 for parts)
2	70639637	4	STUD, pump retaining
	70904208	4	LOCKWASHER, 1/2"
	70911043	4	NUT, 1/2"NF
3	70634271	1	GASKET, pump to torque converter
4	70644931	1	HOSE, pump to filter (See HOSE PARTS)
5	70921227	2	ELBOW, adjustable, 90°, flare type, 1" tube, 1-5/16"NF (Includes washer, nut and O-RING 70921214)
6	70637865	1	FILTER ASSEMBLY, oil (See page 172 for parts)(Used prior to tractor #14232. Order FILTER ASSEMBLY 70659519)
	70650397	1	FILTER ASSEMBLY, oil (See page 172 for parts)(Tractors #14232 and up. Order FILTER ASSEMBLY 70659519)
	70919840	1	PLUG, pipe, hex-hd., 1/4"NPT (Not used when Ground Speed Governor is installed)
7	70035073	3	CAPSCREW, 1/2"NF x 1-3/4"
	70904208	3	LOCKWASHER, 1/2"
	70911043	3	NUT, 1/2"NF
8	70639863	1	PLATE, filter mounting
9	70070469	4	CAPSCREW, 1/2"NF x 1-1/4"
	70904208	4	LOCKWASHER, 1/2"

(Continued)

TRANSMISSION OIL PUMP AND FILTER (Second type)(Continued)

ITEM	PART NO.	QTY.	DESCRIPTION
10	70642515	1	HOSE, filter to speed control valve (See HOSE PARTS)(Not used when special PUSH-START PUMP is installed)
	70921227	1	ELBOW, adjustable, 90°, flare type, 1" tube, 1-5/16"NF (Includes washer, nut and O-RING 70921214)
	70919246	1	CONNECTOR, flare type, 1" tube, 3/4"NPT male
	70644475	1	HOSE, filter to diverter valve (See HOSE PARTS)(Used only when special PUSH-START PUMP is installed)
	70921227	1	ELBOW, adjustable, 90°, flare type, 1" tube, 1-5/16"NF (Includes washer, nut and O-RING 70921214)
	70921215	1	ELBOW, adjustable, 45°, flare type, 1" tube, 1-5/16"NF (Includes washer, nut and O-RING 70921214)
11	70644457	2	CLIP, hose supporting (1-5/16" diam., 17/32" bolt-hole)(1 less used with HOSE 70644475)
12	70095869	2	CLIP, hose supporting (1-1/4" diam., 17/32" bolt-hole)
13	70070467	1	CAPSCREW, 1/2"NF x 1"
14	70035073	1	CAPSCREW, 1/2"NF x 1-3/4"
	70904208	2	LOCKWASHER, 1/2"
	70911043	1	NUT, 1/2"NF
15	70632436	1	BRACKET, hose supporting
16	70632161	1	ADAPTER, suction line, upper
	70921214	1	O-RING, adapter sealing
17	70631790	1	BOOT, suction line
	70921912	4	CLAMP, hose, 1-1/16" to 2" diam.
18	70639545	1	TUBE, suction line, front section
19	70642937	1	TUBE, suction line, rear section
20	70631788	2	HOSE, suction line
	70921912	8	CLAMP, hose, 1-1/16" to 2" diam.
21	70631791	1	ADAPTER, suction line, lower
22	70632547	1	CLIP, supporting, rear tube
23	70070469	1	CAPSCREW, 1/2"NF x 1-1/4"
	70904208	1	LOCKWASHER, 1/2"
	70910244	1	WASHER, plain, SAE std., 1/2"
24	70641112	1	CLIP, supporting, front tube
25	70064384	1	BOSS, clip spacing
26	-----	-	TRANSFER (See PAINTING AND MARKING)

(Revised August 1979)



USAGE: Tractors serial No. 14537 and up including Nos. 14496, 14507, 14509, 14511, 14513 and 14522 thru 14525

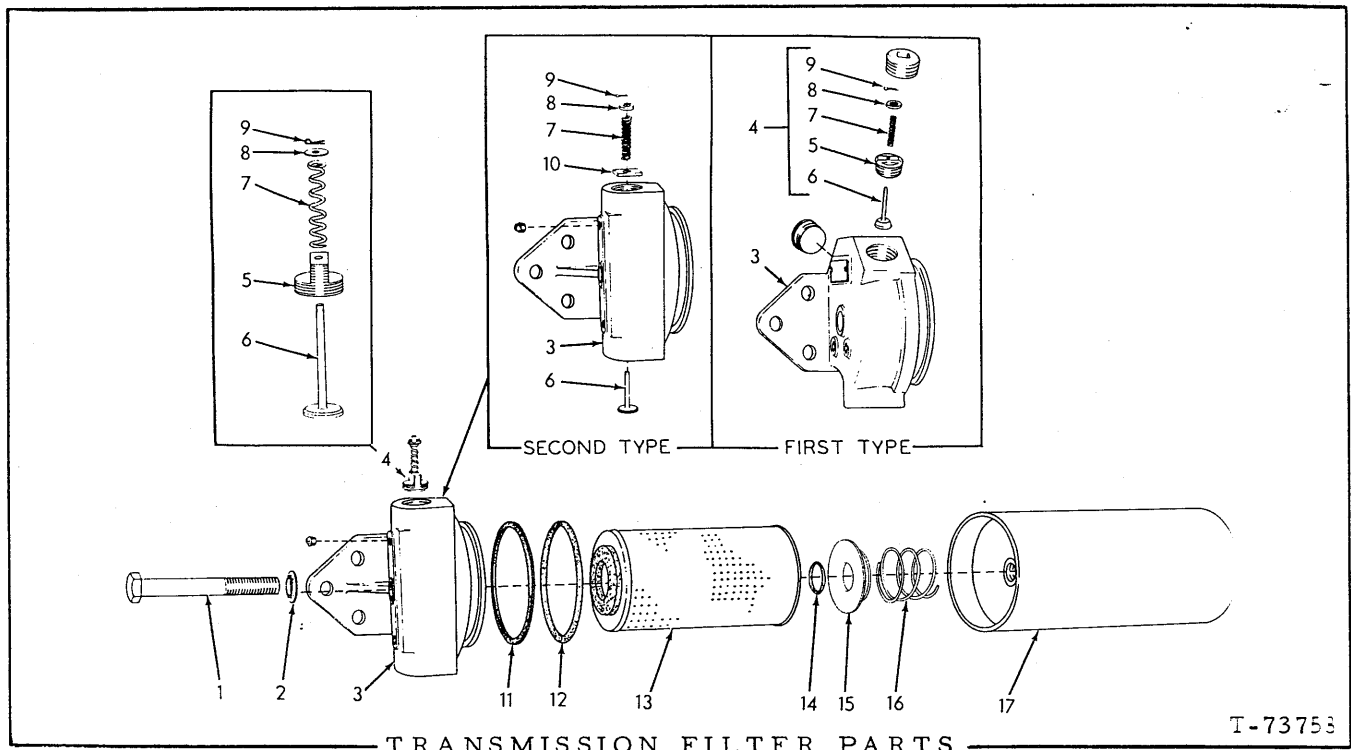
ITEM	PART NO.	QTY.	DESCRIPTION
1	70656226	1	PUMP ASSEMBLY, oil (See page 176 for parts)
2	70923980	4	SCREW, 12-point, Nylok, 1/2"NC x 1"
3	70634271	1	GASKET, adapter to torque converter
4	70651990	1	HOSE, pump to filter (See HOSE PARTS)
	70921227	2	ELBOW, adjustable, 90°, flare type, 1" tube, 1-5/16"NF (Includes washer, nut and O-RING 70921214)

(Continued)

(Revised August 1979)

TRANSMISSION OIL PUMP AND FILTER (Third type)(Continued)

ITEM	PART NO.	QTY.	DESCRIPTION	
5	70650397	1	FILTER ASSEMBLY, oil (Used prior to tractor #14787. Order FILTER ASSEMBLY 70659519)	} See page 172 for parts
	70659519	1	FILTER ASSEMBLY, oil (Tractors #14787 and up)	
	70919840	1	PLUG, pipe, hex-hd., 1/4"NPT (Not used when GROUND SPEED GOVERNOR is installed)	
6	70035236	3	CAPSCREW, 1/2"NC x 1-3/4"	
	70904208	3	LOCKWASHER, 1/2"	
	70911028	3	NUT, 1/2"NC	
7	70651995	1	BRACKET, filter mounting (Also serves as engine lifter)	
	70916311	3	CAPSCREW, 1/2"NC x 1-1/4"	
	70904208	3	LOCKWASHER, 1/2"	
8	70651991	1	HOSE, filter to speed control valve (See HOSE PARTS)(Not used when special PUSH-START PUMP is installed)	
	70921227	1	ELBOW, adjustable, 90°, flare type, 1" tube, 1-5/16"NF (In- cludes washer, nut and O-RING 70921214)	
	70919246	1	CONNECTOR, flare type, 1" tube, 3/4"NPT male	
	70650459	1	HOSE, filter to diverter valve (See HOSE PARTS)(Used only when special PUSH-START PUMP is installed)	
	70921227	1	ELBOW, adjustable, 90°, flare type, 1" tube, 1-5/16"NF (In- cludes washer, nut and O-RING 70921214)	
	70921228	1	CONNECTOR, flare type, 1" tube, 1-5/16"NF straight male thread (Includes O-RING 70921214)	
9	70644457	3	CLIP, hose supporting (1 less used on units with PUSH-START PUMP)	
10	70056721	1	CAPSCREW, 3/8"NC x 2-1/2"	
	70904206	1	LOCKWASHER, 3/8"	
11	70911115	1	WASHER, plain, SAE std., 3/8"	
	70035073	1	CAPSCREW, 1/2"NF x 1-3/4"	
	70904208	1	LOCKWASHER, 1/2"	
12	70635720	1	SPACER, hose clip (1-1/2" long)	
13	70064384	1	BOSS, spacing, hose clip (5/8" long)(For units with PUSH-START PUMP only)	
14	70656233	1	ADAPTER, suction line, upper (Includes O-RING 70921235)	
15	70631790	1	BOOT, suction line	
	70921912	4	CLAMP, hose, 1-1/16" to 2" diam.	
16	70656232	1	TUBE, suction line, front section	
17	70642937	1	TUBE, suction line, rear section	
18	70631788	2	HOSE, suction line	
	70921912	8	CLAMP, hose, 1-1/16" to 2" diam.	
19	70631791	1	ADAPTER, suction line, lower	
20	70632547	1	CLIP, rear suction tube	
	70070469	1	CAPSCREW, 1/2"NF x 1-1/4"	
	70904208	1	LOCKWASHER, 1/2"	
	70910244	1	WASHER, plain, SAE std., 1/2"	
21	70641112	1	CLIP, front suction tube	} Not for units with Special PUSH-START PUMP
	70070469	1	CAPSCREW, 1/2"NF x 1-1/4"	
	70904208	1	LOCKWASHER, 1/2"	
	70910244	1	WASHER, plain, SAE std., 1/2"	
22	-----	-	TRANSFER (See PAINTING AND MARKING)	



T-73753

TRANSMISSION FILTER PARTS

*70637865 FILTER ASSEMBLY (See pages 165 and 168)
 **70650397 FILTER ASSEMBLY (See pages 168 and 170)
 Δ70659519 FILTER ASSEMBLY (See page 170)

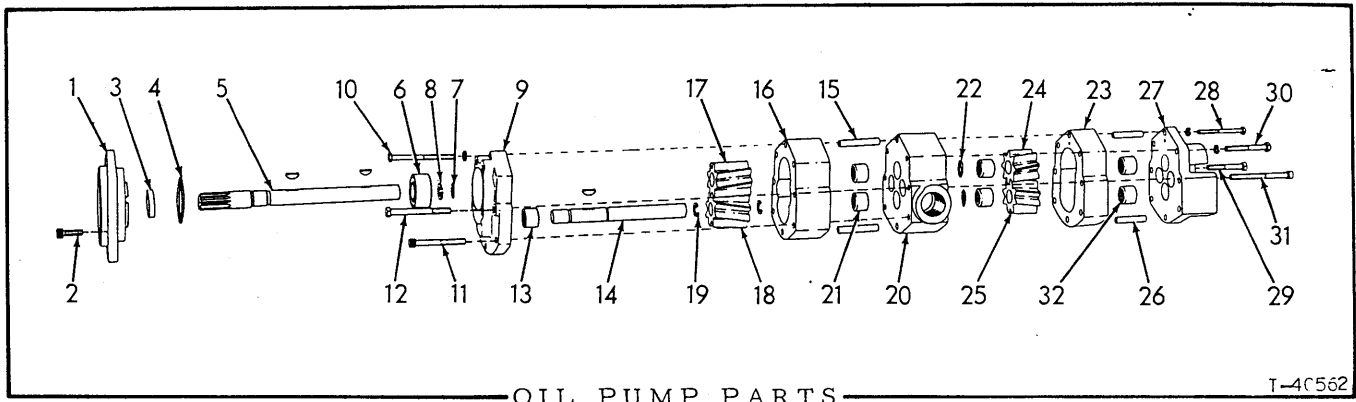
ITEM	PART NO.	QUANTITY			DESCRIPTION
		*	**	Δ	
1	70604930	1	-	-	CAPSCREW, tank retaining (3/4" NF x 5")
	70923438	-	1	1	CAPSCREW, tank retaining (3/4" NF x 5-1/2")
2	74254971	1	1	1	WASHER, tank retaining capscrew
3	70640744	1	-	-	HEAD
	70901666	2	-	-	PLUG, pipe, ctsk-hd., 1" NPT
	70650427	-	1	-	HEAD ASSEMBLY (Includes items 6 thru 10 and PLUGS indented below)
	70659514	-	-	1	HEAD
4	70901652	-	2	2	PLUG, pipe, 1/4" NPT
	70633995	2	-	-	VALVE ASSEMBLY, by-pass (Consists of items 5 thru 9)
5	70661534	-	-	1	VALVE ASSEMBLY, by-pass (Consists of items 5 thru 9)
	-----	2	-	1	HOUSING, by-pass valve (Not serviced separately)
6	-----	2	-	1	VALVE, by-pass (Not serviced separately)
	70650853	-	1	-	VALVE, by-pass
7	70631870	2	-	-	SPRING, by-pass valve
	70650430	-	1	-	SPRING, by-pass valve
	70661268	-	-	1	SPRING, by-pass valve

(Continued)

(Revised August 1979)

TRANSMISSION FILTER PARTS (Continued)

ITEM	PART NO.	QUANTITY			DESCRIPTION
		*	**	Δ	
8	70632060	2	1	1	WASHER, by-pass valve spring
9	70632061	2	-	-	RING, snap, by-pass valve (Early units)
	70900970	2	1	1	PIN, cotter, 1/16" x 1/2" (Late units)
10	70650431	-	1	-	SPANNER, by-pass valve spring
11	70646532	1	1	1	RING, back-up
12	70923836	1	1	1	O-RING, filter head
13	70640780	1	1	1	ELEMENT KIT (Includes items 2, 11 and 12)
14	70923649	1	1	1	O-RING, element seating plate
15	70641031	1	1	1	PLATE, element seating
16	70641027	1	1	1	SPRING, element seating plate
17	70650428	1	1	1	TANK



OIL PUMP PARTS

I-40562

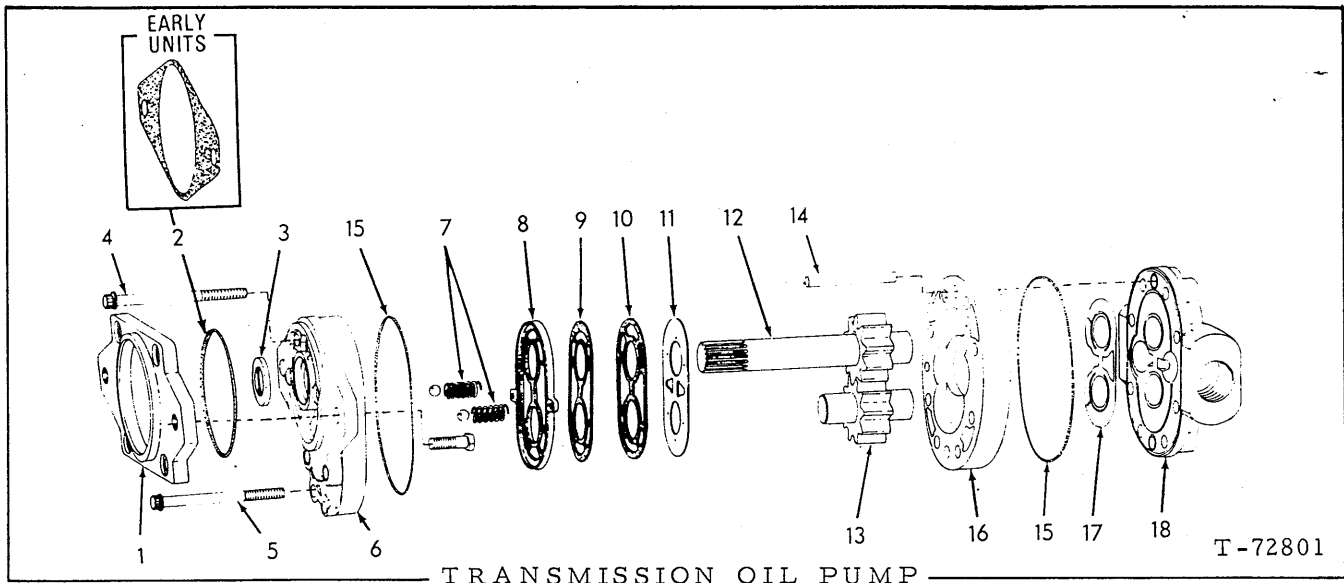
*PUMP ASSEMBLY 70639503. See page 165
 **PUMP ASSEMBLY 70642227. See pages 165 and 168

ITEM	PART NO.	QTY.		DESCRIPTION
		*	**	
1	70639540	1	1	PLATE ASSEMBLY, adapting (Includes item 3)
2	70912264	4	4	CAPSCREW, hex-socket-hd., 5/16"NC x1"
3	70643560	1	1	SEAL, adapting plate
4	73039053	1	1	O-RING, adapting plate
5	70640152	1	-	SHAFT, driving
	70642320	-	1	SHAFT, driving
	70905122	2	2	KEY, woodruff, 1/8" x 3/4"
6	73038936	1	1	BEARING, ball, drive shaft
7	73038940	1	1	WASHER, spacing
8	73038933	1	1	RING, bearing retaining
9	70639530	1	1	BODY ASSEMBLY (Includes item 13)
10	70641561	2	-	CAPSCREW, 1/4"NC x 3-1/4"
	70642327	-	2	CAPSCREW, 1/4"NC x 3-1/2"
	70904204	-	2	LOCKWASHER, 1/4"
11	70930951	2	2	CAPSCREW, hex-socket-hd., 5/16"NC x 2-3/4"
12	70918397	4	-	CAPSCREW, 5/16"NC x 3"
	70642328	-	4	CAPSCREW, 5/16"NC x 3-1/4"
13	70208253	1	1	BEARING, needle, pump body
14	70639938	1	-	SHAFT, idler
	70921396	1	-	KEY, woodruff, 1/8" x 3/8"
	70642319	-	1	SHAFT, idler
	70905122	-	1	KEY, woodruff, 1/8" x 3/4"
15	70640775	4	-	PIN, dowel (1/2" long)(Original equipment)
	70642310	2	-	PIN, dowel (2" long)(Service replacement)
	70642323	-	2	PIN, dowel (2-3/8" long)
16	70639942	1	-	PLATE, pump gears, front (When making first replacement) also order 2 PINS 70642310)
	70642322	-	1	PLATE, pump gears, front

(Continued)

OIL PUMP PARTS (Continued)

ITEM	PART NO.	QTY.		DESCRIPTION
		*	**	
17	70641541	1	-	GEAR, drive shaft (1-3/4" wide)
	70642321	-	1	GEAR, drive shaft (2" wide)
18	70641542	1	-	GEAR, idler shaft (1-3/4" wide)
	70642318	-	1	GEAR, idler shaft (2" wide)
19	73039013	2	2	RING, retaining, idler shaft gear
20	70639447	1	1	PLATE ASSEMBLY, center (Includes items 21 and 22)
21	70208253	4	4	BEARING, needle, center plate
22	70052662	2	2	SEAL, center plate
23	70640739	1	1	PLATE, pump gears, rear (When making first replacement also order 2 PINS 70642310)
24	70641537	1	1	GEAR, drive shaft (1-1/2" wide)
25	70641538	1	1	GEAR, idler shaft (1-1/2" wide)
26	70640774	2	2	PIN, dowel (1-3/4" long)
27	70638613	1	1	COVER ASSEMBLY, rear (Includes item 32)
28	70641564	2	2	CAPSCREW, 1/4"NC x 2-3/4"
	70904204	-	2	LOCKWASHER, 1/4"
29	70921160	1	1	CAPSCREW, 5/16"NC x 2-1/4"
30	70033751	3	3	CAPSCREW, 5/16"NC x 2-1/2"
	70904205	-	3	LOCKWASHER, 5/16"
31	70639728	2	-	CAPSCREW, hex-socket-hd., 5/16"NC x 3-3/4"
	70642309	-	2	CAPSCREW, hex-socket-hd., 5/16"NC x 3-1/2"
32	70208253	2	2	BEARING, needle, rear cover



USAGE: See page 170

* Original equipment
 ** Service replacement

ITEM	PART NO.	QTY.	DESCRIPTION
		* **	
-	70656226	1 -	PUMP ASSY., oil (Order PUMP ASSY. 70662303)
-	70662303	- 1	PUMP ASSY., oil (Consists of items 1 thru 18)
1	70656694	1 1	ADAPTER (If first replacement on tractors prior to #14745 also order O-RING 70925310)
2	70653923	1 -	GASKET, adapter (Tractors prior to #14745)
	70925310	- 1	O-RING, adapter
3	70653935	1 1	SEAL, oil
4	70924787	4 4	SCREW, 12-pt-hd., 3/8"NC x 3-3/4"
5	70924790	4 4	SCREW, 12-pt-hd., 3/8"NC x 3-1/2"
6	74905633	1 1	PLATE ASSY., front (Includes bushings)(If first replacement on original equipment PUMP also order item 15)
	70920582	2 2	CAPSCREW, 1/2"NC x 1-1/4"
7	70653916	2 2	SPRING, check valve
	70921085	2 2	BALL, steel, 13/32" diam.
8	71002296	1 1	SEAL, front diaphragm
9	70669992	1 1	GASKET, diaphragm (thin)
10	70653919	1 1	GASKET, diaphragm (thick)
11	70653920	1 1	DIAPHRAGM, sealing
12	70669997	1 1	GEAR ASSY., drive (Includes shaft)
13	70669998	1 1	GEAR ASSY., driven (Includes shaft)
14	70653928	2 2	PIN, dowel
15	70924921	- 2	O-RING, center body
16	70689443	1 1	BODY, center
17	70669996	1 1	PLATE
18	70669994	1 1	PLATE ASSY., back (Includes bushings)(If first replacement on original equipment PUMP also order item 15)

SPEED CONTROL PIPING

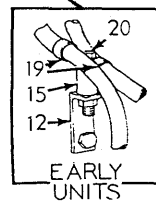
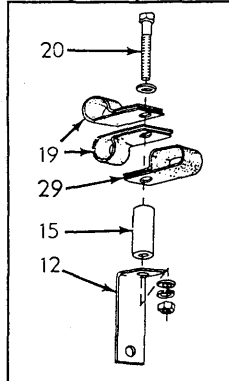
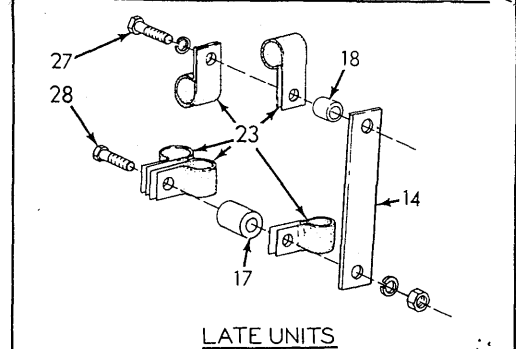
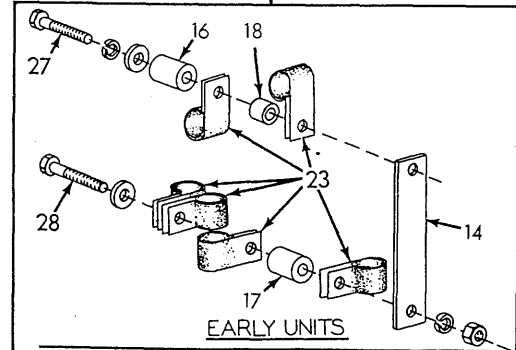
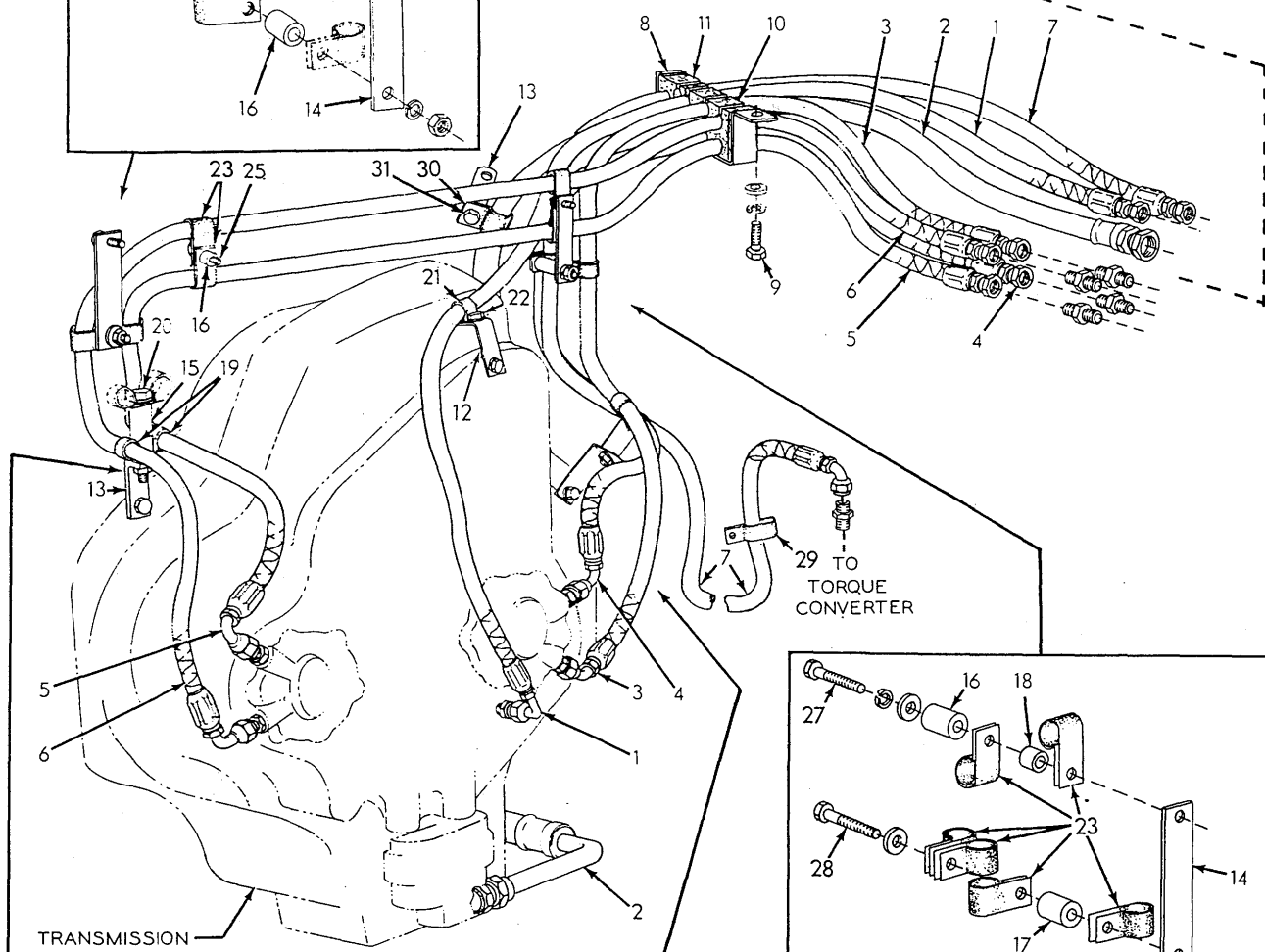
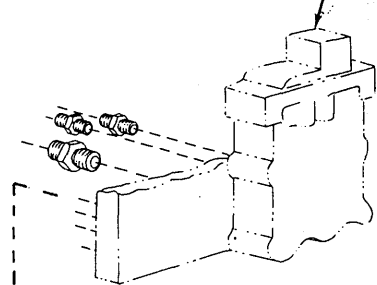
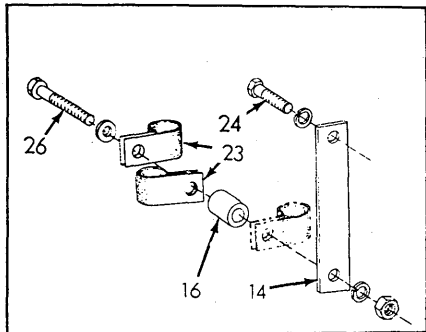
* Tractors prior to Serial No. 13678
 ** Tractors serial No. 13678 thru No. 14536
 *** Tractors serial No. 14537 and up

ITEM	PART NO.	QUANTITY			DESCRIPTION
		*	**	***	
1	70645089	1	1	-	HOSE ASSEMBLY, oil return (See HOSE PARTS)
	70921466	1	1	-	CONNECTOR, flare type, 1/2" tube, 3/4"NPT male (Used prior to tractor #12916)
	70919063	1	1	-	CONNECTOR, flare type, 1/2" tube, 3/8"NPT male (Effective with tractor #12916)
	70919128	1	1	-	CONNECTOR, flare type, 1/2" tube, 1/2"NPT male
	70651796	-	-	1	HOSE, oil return
	70919472	-	-	1	CONNECTOR, flare type, 5/8" tube, 1/2"NPT male
	70921326	-	-	1	CONNECTOR, flare type, 5/8" tube, 7/8"NF straight male thread (Includes O-RING 70921205)
2	70644474	1	1	1	HOSE, diverter valve to valve mounting plate (See HOSE PARTS)(Used with special PUSH-START PUMP only. See pages 168 & 170 for hose used on units without PUSH-START PUMP)
	70919246	1	1	1	CONNECTOR, flare type, 1" tube, 3/4"NPT male
	70921228	1	1	1	CONNECTOR, flare type, 1" tube, 1-5/16"NF (Includes O-RING 70921214)
3	70645085	1	1	1	HOSE, forward clutch control (1st gear)(See HOSE PARTS)
	70919063	2	2	2	CONNECTOR, flare type, 1/2" tube, 3/8"NPT male
4	70645086	1	1	1	HOSE, forward clutch control (2nd gear)(See HOSE PARTS)
	70919063	2	2	2	CONNECTOR, flare type, 1/2" tube, 3/8"NPT male
5	70645084	1	1	1	HOSE ASSEMBLY, reverse clutch control (1st gear)(See HOSE PARTS)
	70919063	2	2	2	CONNECTOR, flare type, 1/2" tube, 3/8"NPT male
6	70645083	1	1	1	HOSE, reverse clutch control (2nd gear)(See HOSE PARTS)
	70919063	2	2	2	CONNECTOR, flare type, 1/2" tube, 3/8"NPT male
7	70645094	1	1	1	HOSE, engine clutch oil supply (See HOSE PARTS)
	70919063	2	2	2	CONNECTOR, flare type, 1/2" tube, 3/8"NPT male
8	70639756	1	1	1	CLAMP, hose supporting
9	70035439	1	1	1	CAPSCREW, 3/8"NC x 1"
	70904206	1	1	1	LOCKWASHER, 3/8"
	70044973	1	1	1	WASHER, plain
10	70639620	1	1	1	BLOCK, hose supporting, front (rubber)
11	70651774	1	1	1	BLOCK, hose supporting, rear (rubber)
12	70628243	2	2	2	ANGLE, hose supporting
13	70633496	1	1	1	ANGLE, hose supporting (1 additional used on tractors #13678 and up when PUSH-START PUMP is installed)
14	70637589	2	2	2	STRAP, hose supporting
15	70094756	2	2	-	BLOCK, clip spacing (1-3/4" long)

(Continued)

(Revised August 1979)

SEE SPEED CONTROL VALVES

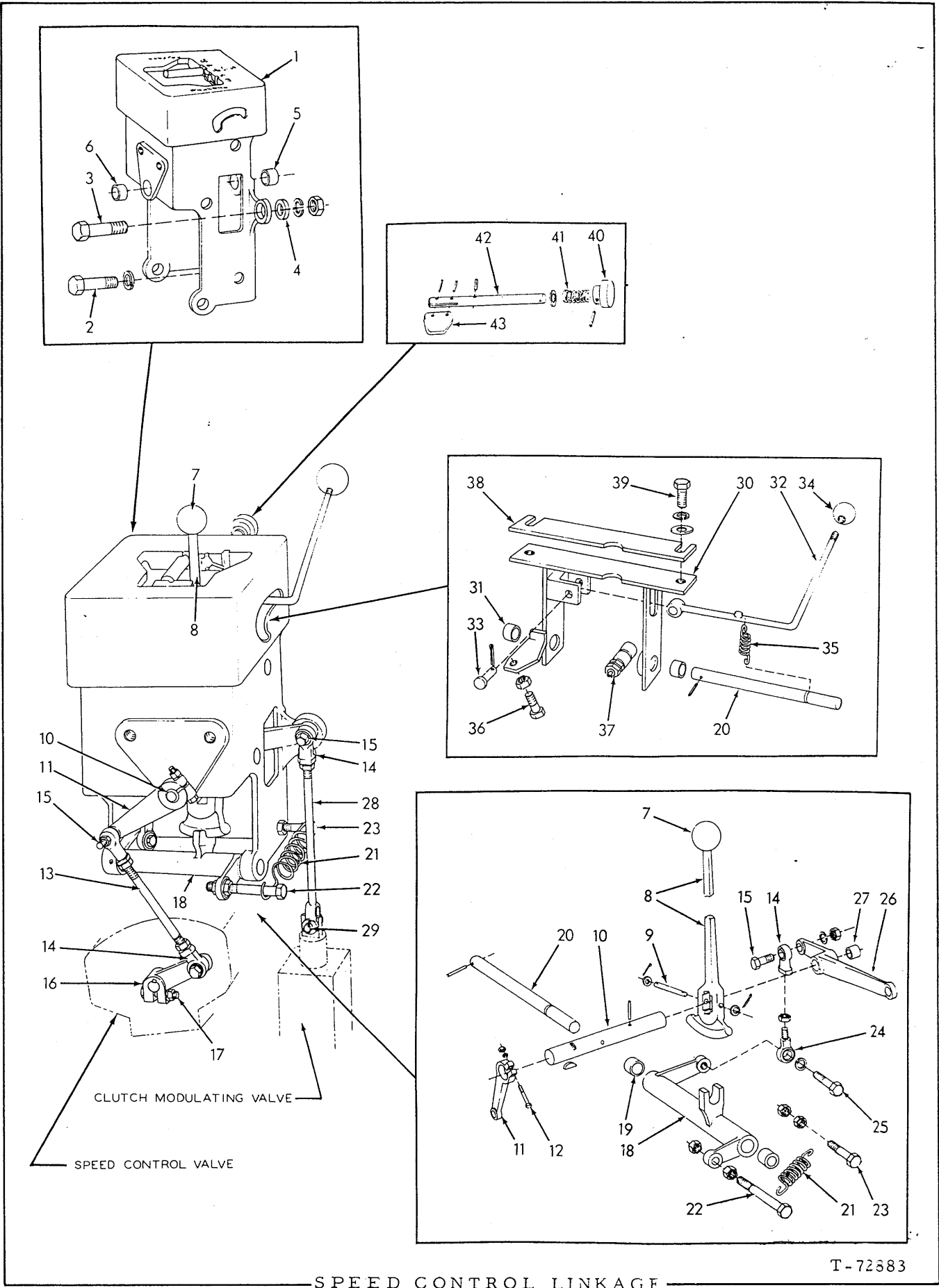


SPEED CONTROL PIPING

T-39382

SPEED CONTROL PIPING (Continued)

ITEM	PART NO.	QUANTITY			DESCRIPTION
		*	**	***	
16	70065785	3	2	2	BLOCK, clip spacing (1" long)
17	70613231	1	1	1	BLOCK, clip spacing (1-1/2" long)
18	70064384	1	1	1	BOSS, clip spacing (5/8" long)
19	70094467	4	4	4	CLIP, hose supporting (3/4" diam., 13/32" bolt-hole)
20	70917038	2	-	-	CAPSCREW, 3/8"NF x 3"
	70056320	-	2	-	CAPSCREW, 3/8"NC x 3"
	70013058	-	-	2	CAPSCREW, 3/8"NC x 1-1/4"
	70911115	3	2	2	WASHER, plain, SAE std., 3/8"
	70904206	2	2	2	LOCKWASHER, 3/8"
	70911041	2	-	-	NUT, 3/8"NF
	70911026	-	2	2	NUT, 3/8"NC
21	70094467	1	1	-	CLIP, hose supporting (3/4" diam., 13/32" bolt-hole)
	70643957	-	-	2	CLIP, hose supporting (1" diam., 17/32" bolt-hole)
22	70036032	-	1	1	CAPSCREW, 3/8"NF x 3/4"
	70911115	-	1	1	WASHER, plain, SAE std., 3/8"
	70904206	-	1	1	LOCKWASHER, 3/8"
	70911041	-	1	1	NUT, 3/8"NF
23	70621304	13	9	9	CLIP, hose supporting (3/4" diam., 17/32" bolt-hole)
24	70035061	1	1	1	CAPSCREW, 1/2"NC x 1-1/4"
25	70035712	1	1	1	CAPSCREW, 1/2"NC x 2-1/4"
26	70035068	1	-	-	CAPSCREW, 1/2"NF x 2-1/4"
	70035067	-	1	1	CAPSCREW, 1/2"NF x 2"
27	70041877	1	-	-	CAPSCREW, 1/2"NC x 3"
	70035236	-	1	1	CAPSCREW, 1/2"NC x 1-3/4"
28	70070403	1	-	-	CAPSCREW, 1/2"NF x 3"
	70035278	-	1	1	CAPSCREW, 1/2"NF x 2-3/4"
	70910244	5	1	1	WASHER, plain, SAE std., 1/2"
	70904208	5	4	4	LOCKWASHER, 1/2"
	70911043	2	1	1	NUT, 1/2"NF
29	70633624	2	1	1	CLIP, hose supporting (For two 3/4" diam. hoses)
30	70095869	1	-	-	CLIP, hose supporting (1-5/16" diam.)
	70644457	-	1	1	CLIP, hose supporting (1-1/4" diam.)
31	70036032	1	1	1	CAPSCREW, 3/8"NF x 3/4"
	70911115	1	1	1	WASHER, plain, SAE std., 3/8"
	70904206	1	1	1	LOCKWASHER, 3/8"
	70911041	1	1	1	NUT, 3/8"NF



SPEED CONTROL LINKAGE

T-72383

SPEED CONTROL LINKAGE

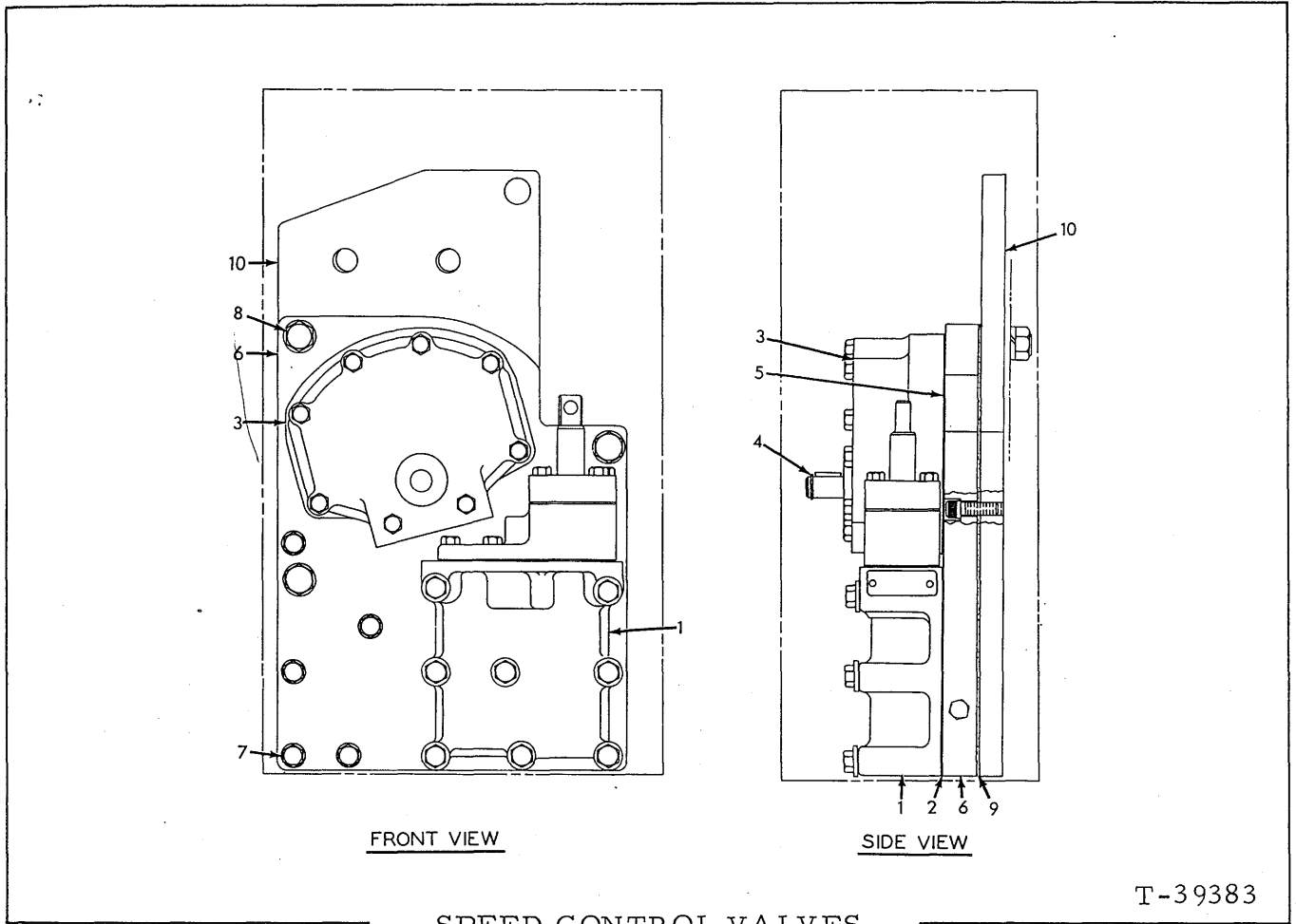
ITEM	PART NO.	QTY.	DESCRIPTION
1	70655777	1	GUIDE ASSEMBLY, control (Includes items 5 and 6)
2	70035061	2	CAPSCREW, 1/2"NC x 1-1/4"
3	70035068	1	CAPSCREW, 1/2"NF x 2-1/4"
4	70064531	1	WASHER, plain
	70904208	3	LOCKWASHER, 1/2"
	70911043	1	NUT, 1/2"NF
5	70639785	1	BUSHING, control guide, front
6	70628157	1	BUSHING, control guide, rear
7	70629709	1	KNOB, speed shift lever
8	70639766	1	LEVER, speed shift
9	70656155	1	PIN, lever pivot
	70911115	2	WASHER, plain
	70900806	2	PIN, cotter, 1/8" x 1"
10	70656159	1	SHAFT, speed shift lever
	70915989	1	PIN, spring, 3/16" x 1-3/8"
11	70639775	1	LEVER, control valve, upper
	70905123	1	KEY, #9 woodruff, 3/16" x 3/4"
12	70046419	1	CAPSCREW, 3/8"NF x 2"
	70904206	1	LOCKWASHER, 3/8"
	70911041	1	NUT, 3/8"NF
13	70639778	1	ROD, control valve
	70911048	2	NUT, jam, 3/8"NF
14	70617932	4	END, rod (female)
15	70036039	4	CAPSCREW, 3/8"NF x 1-3/8"
	70904206	4	LOCKWASHER, 3/8"
	70911041	4	NUT, 3/8"NF
16	70639753	1	LEVER, control valve, lower
17	70203188	1	CAPSCREW, 3/8"NF x 1-1/2"
	70904206	1	LOCKWASHER, 3/8"
	70911041	1	NUT, 3/8"NF
18	70644064	1	BELLCRANK ASSEMBLY, speed shift lever (Includes item 19)
19	70049988	2	BUSHING, bellcrank (.614 O. D.)(Used prior to tractor #13668)
	70637286	2	BUSHING, bellcrank (.593 O. D.)(Effective with tractor #13668)
20	70639790	2	SHAFT, pivot
	70919761	2	PIN, spring, 1/8" x 1-1/4"
21	70640637	1	SPRING, bellcrank
22	70099575	1	CAPSCREW, bellcrank spring (3/8"NF x 2-1/4")
	70911048	2	NUT, jam, 3/8"NF

(Continued)

SPEED CONTROL LINKAGE (Continued)

ITEM	PART NO.	QTY.	DESCRIPTION
23	70012992	1	CAPSCREW, bellcrank spring (3/8"NF x 1-1/4")
	70911048	2	NUT, jam, 3/8"NF
24	70639916	1	END, rod (male)
	70911048	1	NUT, jam, 3/8"NF
25	70012992	1	CAPSCREW, 3/8"NF x 1-1/4"
	70904206	1	LOCKWASHER, 3/8"
26	70639784	1	BELLCRANK ASSEMBLY, modulating valve rod (Includes item 27)
27	70628157	1	BUSHING, bellcrank
28	70639779	1	ROD, modulating valve
	70911048	1	NUT, jam, 3/8"NF
29	70078810	1	PIN, modulating valve rod
	70900801	1	PIN, cotter, 3/32" x 3/4"
30	70644065	1	BRACKET ASSEMBLY, neutral lock (Includes item 31)
31	70049988	2	BUSHING, neutral lock bracket (.614 O. D.)(Used prior to tractor #13660)
	70637286	2	BUSHING, neutral lock bracket (.593 O. D.)(Effective with tractor #13660)
32	70639839	1	LEVER, neutral lock
33	70078810	1	PIN, neutral lock lever
	70900801	1	PIN, cotter, 3/32" x 3/4"
34	70632038	1	KNOB, neutral lock lever
35	70641008	1	SPRING, neutral lock lever
36	70036034	1	CAPSCREW, neutral lock bracket (3/8"NF x 1")
	70911048	1	NUT, jam, 3/8"NF
37	70631844	1	SWITCH, safety (Includes mounting nuts)
38	70641979	1	BAR, adjustment, neutral lock bracket (Effective with tractor #13136)
39	70036032	2	CAPSCREW, 3/8"NF x 3/4"
	70911115	2	WASHER, plain, SAE std., 3/8"
40	70655666	1	KNOB, PTO lockout rod
	70918111	1	PIN, spring, 1/8" x 1"
41	70653701	1	SPRING, PTO lockout rod
42	70655779	1	ROD, PTO lockout
	70916168	1	PIN, spring, 1/8" x 3/4"
	70910244	1	WASHER, plain, SAE std., 1/2"
43	70655663	1	PLATE, PTO lockout
	70918547	2	PIN, spring, 1/8" x 1/2"

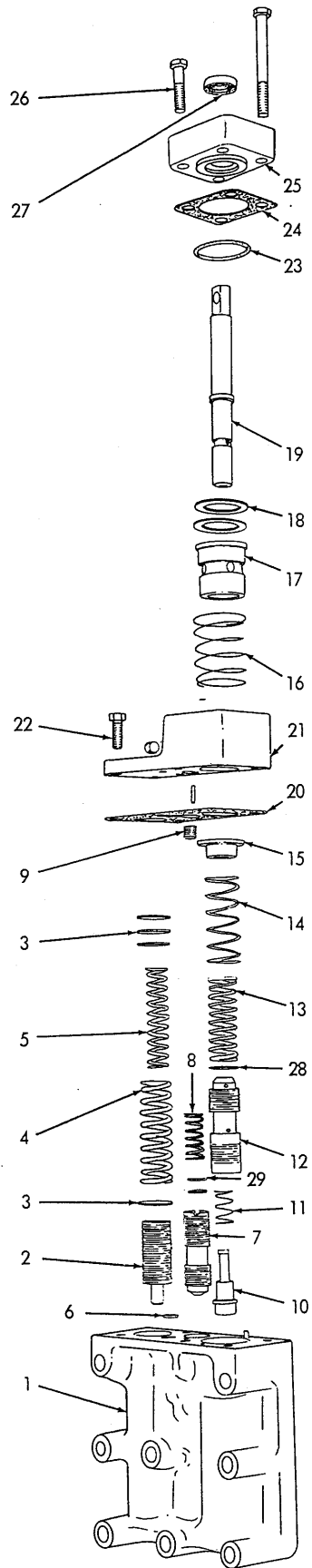
Effective on tractors
#14730 thru #14932



T-39383

ITEM	PART NO.	QTY.	DESCRIPTION
1	70639614	1	VALVE ASSY., clutch modulating(See page 185 for parts)
	70922849	8	CAPSCREW, 3/8"NC x 4"
	70911115	8	WASHER, plain, SAE std., 3/8"
2	70639903	1	GASKET, modulating valve
3	70639646	1	VALVE ASSY., speed control (See page 186 for parts)
	70905123	1	KEY, #9 woodruff, 3/16" x 3/4"
	70923941	8	CAPSCREW, 5/16"NC x 4"
4	70639946	1	RING, snap, speed control valve
5	70639882	1	GASKET, speed control valve
6	70639642	1	PLATE, manifold
	70901652	1	PLUG, pipe, hex-head, 1/4"NPT
7	70922287	5	CAPSCREW, 3/8"NC x 1-3/4"
	70911115	5	WASHER, plain, SAE std., 3/8"
8	70035278	3	CAPSCREW, 1/2"NF x 2-3/4"
	70904208	3	LOCKWASHER, 1/2"
	70911043	3	NUT, 1/2"NF
9	70639950	1	GASKET, manifold plate
10	70639641	1	PLATE, mounting, manifold
	70912267	1	SCREW, hex-socket-hd., 3/8"NC x 1"

(Revised August 1979)



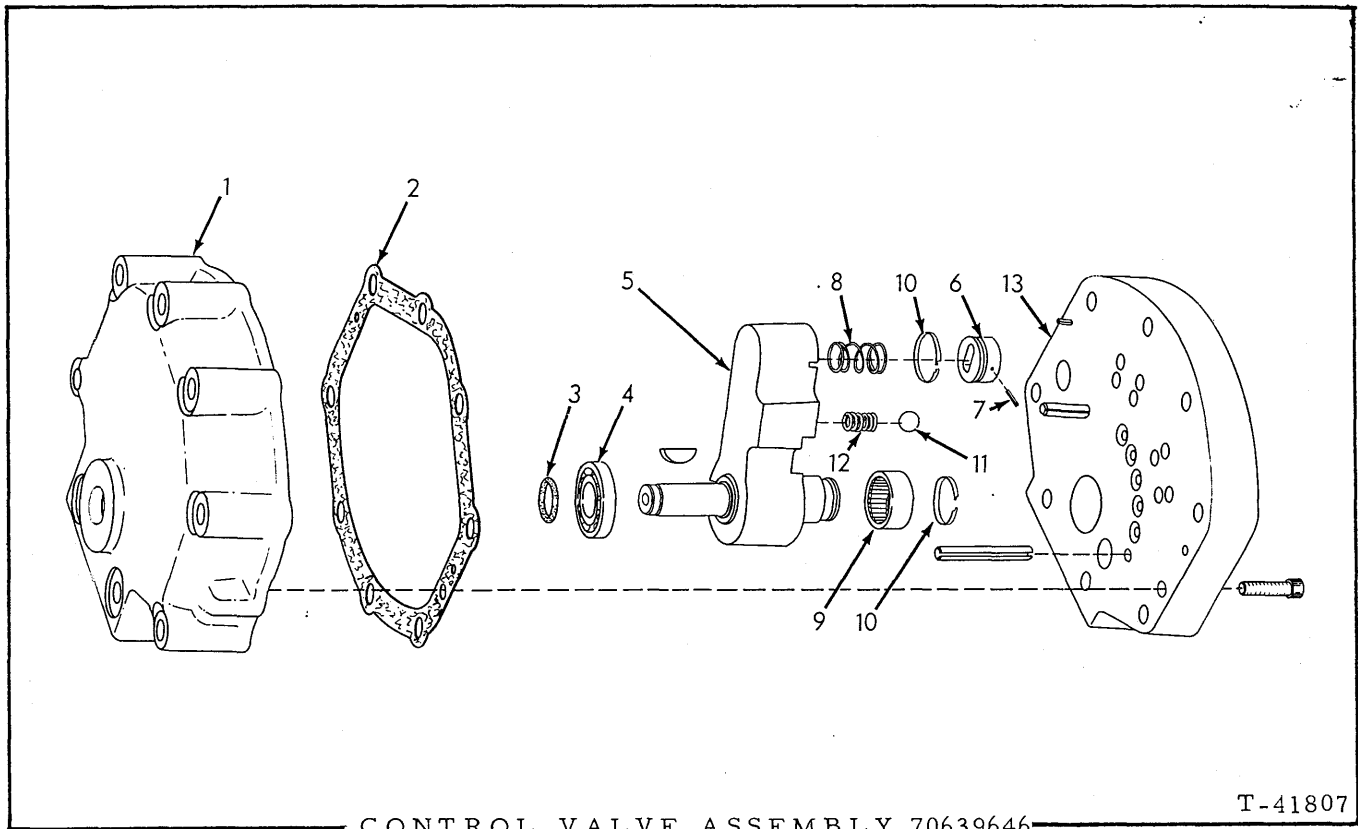
MODULATING VALVE ASSEMBLY 639614

T-41806

MODULATING VALVE ASSEMBLY

USAGE: See page 183

ITEM	PART NO.	QTY.	DESCRIPTION	
-	70639614	1	VALVE ASSY. (Original equipment)	} Each consists of items 1 thru 29
-	70696986	1	VALVE ASSY. (Service replace- ment)	
1	70639970	1	BODY	
2	70676091	1	VALVE, pressure relief	
3	73037730	4	SHIM, transmission clutch relief valve	
4	70639947	1	SPRING, transmission clutch relief valve (outer)	
5	70639948	1	SPRING, transmission clutch relief valve (inner)	
6	70639939	1	FILTER, oil	
7	70639933	1	PISTON, flow sensing	
8	70639949	1	SPRING, flow sensing piston	
9	70655636	1	PLUG, orifice	
10	70640121	1	PISTON, engine clutch regulating valve	
11	70639969	1	SPRING, regulating valve piston	
12	70639749	1	VALVE, pressure regulating, engine clutch	
13	70644268	1	SPRING, engine clutch regulating valve	
14	70640205	1	SPRING, operating plunger piston	
15	70639921	1	PISTON, operating plunger	
16	70640206	1	SPRING, variable stop sleeve	
17	70639929	1	SLEEVE, variable stop	
18	70639937	2	SHIM, variable stop sleeve (Use as required)	
19	70639763	1	PLUNGER, operating	
20	70639638	1	GASKET, lower cover	
21	70639907	1	COVER, lower	
	70910231	1	PLUG, pipe, 1/8"NPT	
	70918547	2	PIN, spring, 1/8" x 1/2"	
22	70927373	3	CAPSCREW, 5/16"NC x 7/8"	
23	70186266	1	O-RING, upper cover	
24	70639924	1	GASKET, upper cover	
25	70639639	1	COVER, upper	
	70931192	3	CAPSCREW, 5/16"NC x 3"	
26	70920660	1	CAPSCREW, 5/16"NC x 1-1/2"	
27	70640146	1	SEAL, oil, upper cover	
28	70644265	-	SHIM, regulating valve spring (Use as required)	
29	70644266	-	WASHER, flow sensing piston spring (Use as required)	

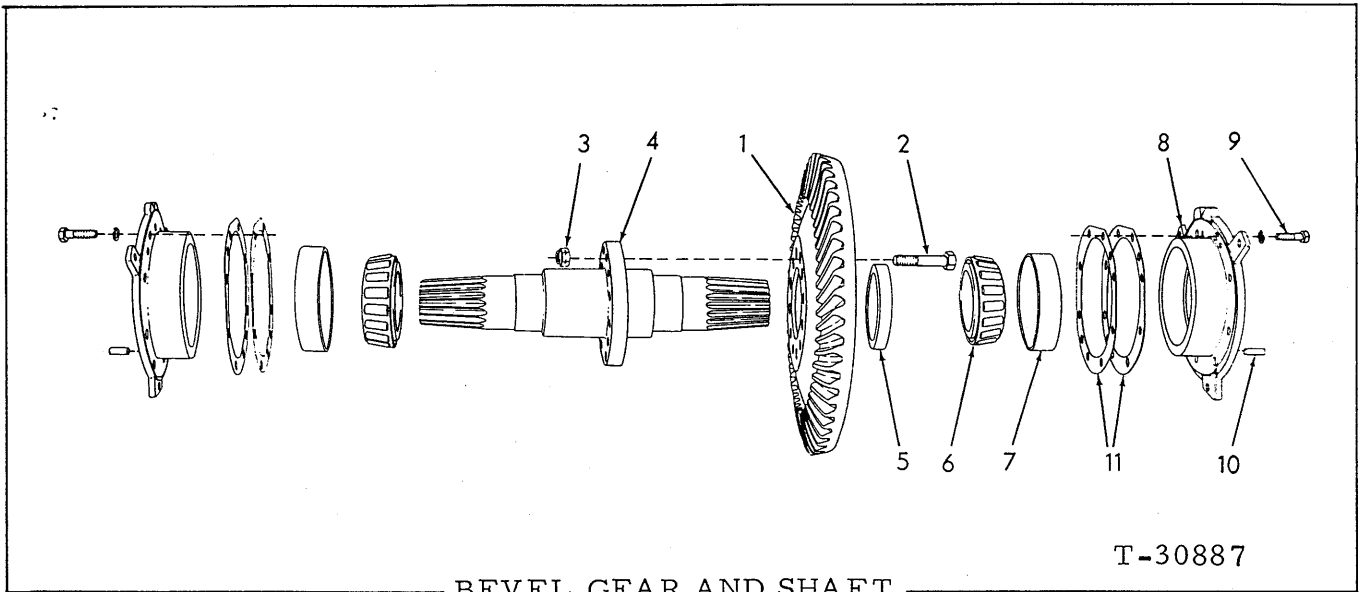


CONTROL VALVE ASSEMBLY 70639646

T-41807

USAGE: See page 183

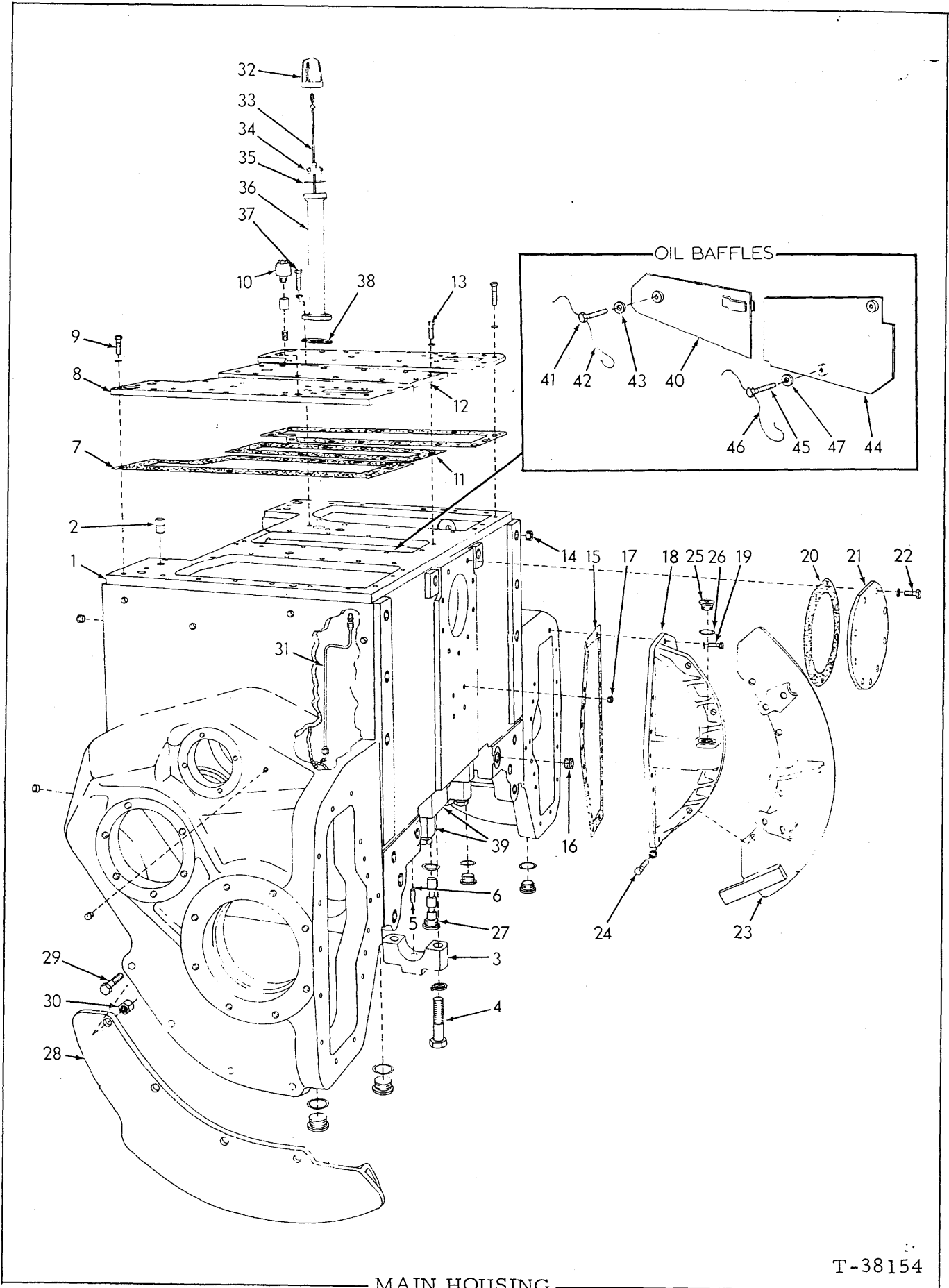
ITEM	PART NO.	QTY.	DESCRIPTION
1	70644277	1	COVER
2	70644276	1	GASKET, cover
3	70186266	1	O-RING, valve shaft
4	70186668	1	BEARING, ball, valve cover
5	70639846	1	SHAFT ASSEMBLY (Includes arm and pin)
6	70639919	1	WIPER
7	70639976	1	PIN, wiper (1/16" x 1/4")
8	70639969	1	SPRING, wiper
9	70050442	1	BEARING, roller, adapter
10	70637623	2	RING, sealing, valve shaft and wiper
11	70915905	1	BALL, steel (3/8" diam.)
12	70642849	1	SPRING, detent ball
13	70644278	1	ADAPTER
	70918547	2	PIN, spring, 1/8" x 1/2" (dowel)
	70920449	2	PIN, spring, 1/4" x 2" (stop)
	70912262	1	CAPSCREW, hex-socket-hd., 1/4"NC x 1"



BEVEL GEAR AND SHAFT

ITEM	PART NO.	QTY.	DESCRIPTION
1	70629085	1	GEAR, bevel (45 teeth)
2	70645321	12	CAPSCREW
3	70931785	12	NUT, elastic stop, 3/4"NF
4	70093945	1	SHAFT, bevel gear (Original equipment)
	70684725	1	SHAFT, bevel gear (Service replacement)(Requires 2 Hub Retaining Capscrew 70684726)
5	70645316	1	RING, spacing, shaft bearing
6	70051997	2	CONE ASSY., shaft bearing
7	70042877	2	CUP, shaft bearing
8	70623006	2	CAGE ASSY., bearing (Includes item 10)
9	70927522	16	CAPSCREW, 1/2"NF x 1-3/4"
	70912441	16	LOCKWASHER, 1/2"
10	70052459	4	PIN, bearing cage
11	70067483	12	SHIM, bearing adjustment (.005" thick)
	70067484	10	SHIM, bearing adjustment (.007" thick)
	70067485	4	SHIM, bearing adjustment (.030" thick)

} Use as required.



MAIN HOUSING

T-38154

(Revised August 1979)

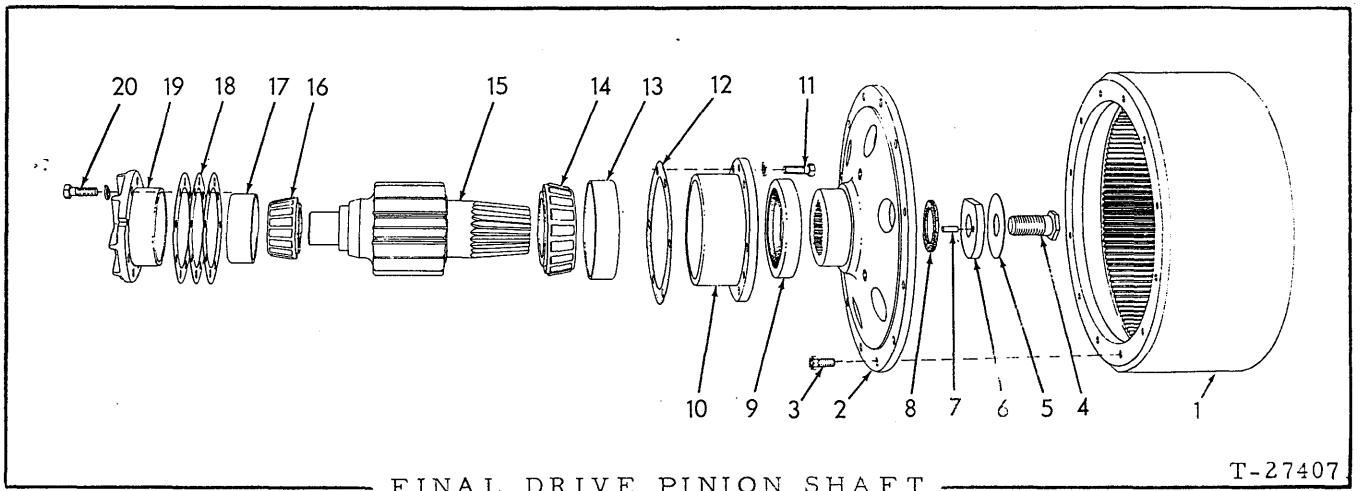
MAIN HOUSING

ITEM	PART NO.	QTY.	DESCRIPTION
1	70651482	1	HOUSING ASSY. (Includes items 2 thru 6)(Used prior to tractor #14943)(If for tractors prior to #14336 also order 2 Cage 70650420, 2 Retainer 70650419, 4 Shim 70650417, 4 Shim 70650418, 12 Capscrew 70035248 and 14 Shim 70650416)
	70664274	1	HOUSING ASSY. (Includes items 2 thru 6)(Effective with tractor #14943)
	70911081	2	PLUG, pipe, slotted-hd., 1/4"NPT
	70904223	2	PLUG, pipe, ctsk-hd., 1/2"NPT
2	70643740	2	PIN, dowel, clutch compartment covers
3	70058019	4	CAP, track frame pivot shaft (Also see item 39) (Used prior to tractor #14943)
	70664301	2	CAP, track frame pivot shaft, inner
	70058019	2	CAP, track frame pivot shaft, outer
			} Tractors #14943 and up
4	70073424	8	CAPSCREW, 1"NF x 4"
	70910916	8	LOCKWASHER, 1"
5	70076726	2	WICK ASSY., pivot shaft lubricating (Consists of 1 Pin and 1 Wick 70050537)(Also serves as Dowel Pin for pivot shaft)(Tractors prior to #14943)
	70664270	2	DOWEL, pivot shaft inner cap (Tractors #14943 and up)
	70665667	2	PLUG, main housing (steel, 5/8" diam. x 3/4") (Used to plug oiling wick hole when installing late type track frames on units prior to #14943)
6	70050357	2	WICK, pivot shaft lubricating (Tractors prior to #14943)
7	70629435	2	GASKET, clutch compartment cover plate
8	70628637	2	PLATE, cover clutch compartment
9	70035073	28	CAPSCREW, 1/2"NF x 1-3/4"
	70904208	28	LOCKWASHER, 1/2"
10	70050748	2	BREATHER, final drive
	70901765	2	COUPLING, pipe, 3/8"NPT
	70901489	2	NIPPLE, pipe, 3/8"NPT x 1"
11	70623262	1	GASKET, bevel gear compartment top cover (Tractors prior to #14274)
	70651421	1	GASKET, bevel gear compartment top cover (Tractors #14274 and up)
12	70623261	1	COVER, bevel gear compartment top (Tractors prior to #14274)
	70651369	1	COVER, bevel gear compartment, top (Tractors #14274 and up)
13	70035073	12	CAPSCREW, 1/2"NF x 1-3/4"
	70904208	12	LOCKWASHER, 1/2"
14	70052979	8	PLUG, thread protecting (1-1/4"NF, socket-hd.).
15	70621486	2	GASKET, final drive compartment cover
16	70664852	4	CORK, thread protecting (1-1/4" diam.)
17	70664851	4	CORK, thread protecting (5/8" diam.)
18	70656983	1	COVER, final drive compartment, left
	70656984	1	COVER, final drive compartment, right
19	70035018	32	CAPSCREW, 1/2"NF x 1-1/2"
	70904208	32	LOCKWASHER, 1/2"

(Continued)

MAIN HOUSING (Continued)

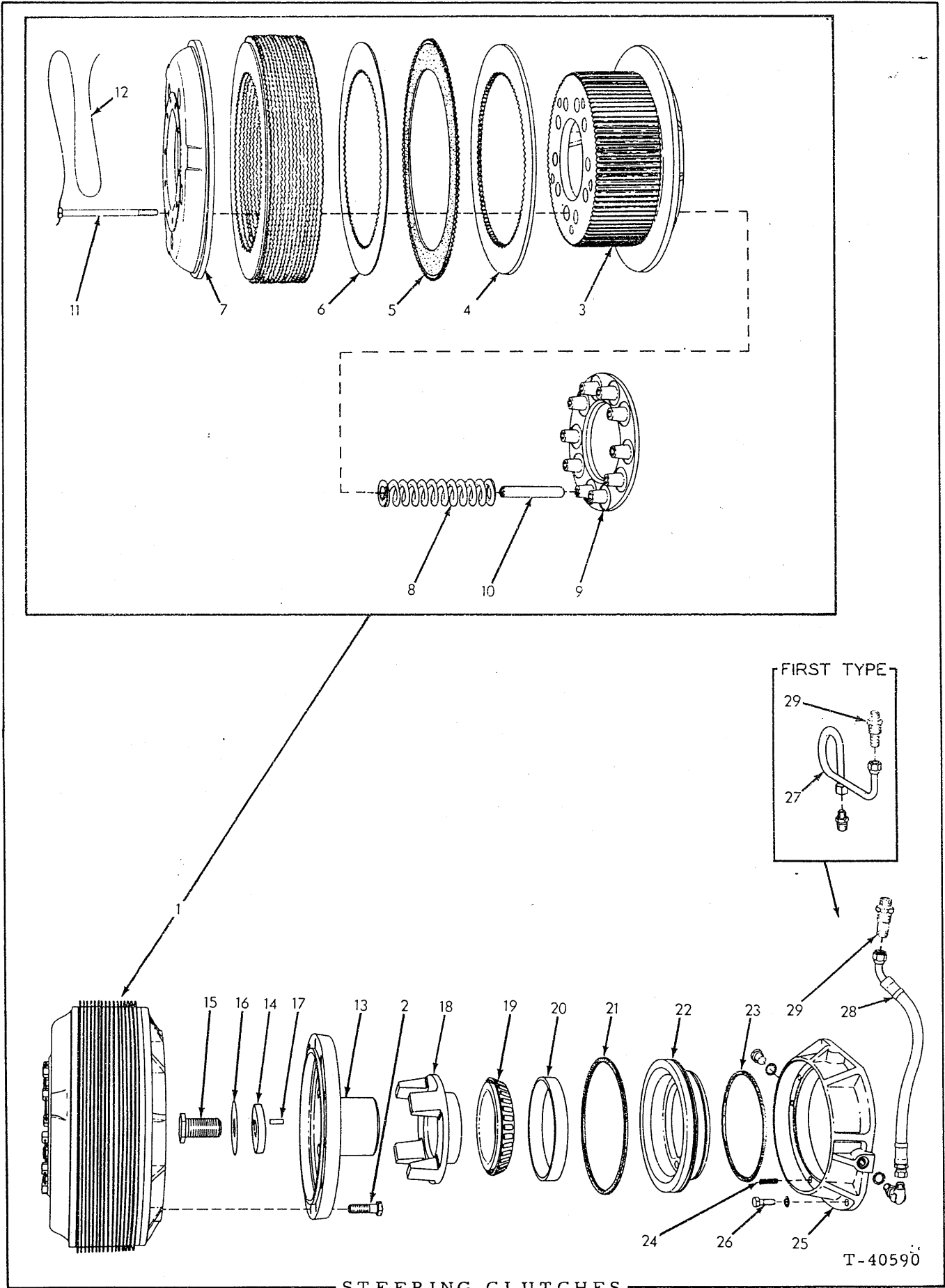
ITEM	PART NO.	QTY.	DESCRIPTION	
20	70052976	1	GASKET, gear compartment cover	
21	70052977	1	COVER, bevel gear compartment, rear	
22	70921731	9	CAPSCREW, Nylok, 5/8"NC x 1-1/4"	
	70904209	9	LOCKWASHER, 5/8"	
23	70647567	1	GUARD, track sprocket, upper left	} Special equipment
	70647568	1	GUARD, track sprocket, upper right	
24	70070161	8	CAPSCREW, 5/8"NF x 2-3/4" (Early units)	
	70031990	8	CAPSCREW, 5/8"NC x 2-1/2" (Late units)	
	70904209	8	LOCKWASHER, 5/8"	
25	70035250	6	PLUG, filling and drain	
26	70035249	7	GASKET, filling and drain plugs	
27	70067543	1	PLUG, drain, bevel gear compartment (magnetic)	
			NOTE: All of item 28 is Special Equipment.	
28	70621563	1	GUARD, track sprocket, lower left (Tractors prior to #14142)(See NOTE above)	
	70621564	1	GUARD, track sprocket, lower right (Tractors prior to #14142)(See NOTE above)	
	70647565	1	GUARD, track sprocket, lower left (Tractors #14142 and up)(See NOTE above)	
	70647566	1	GUARD, track sprocket, lower right (Tractors #14142 and up)(See NOTE above)	
29	70023618	8	CAPSCREW, 5/8"NF x 2-1/2"	
30	70072366	8	NUT, high, 5/8"NF	
31	70623065	2	TUBE ASSY., final drive breather (Includes Nuts)	
	70919173	2	ELBOW, flare type, 1/4" tube, 1/8"NPT male	
	70919171	2	CONNECTOR, flare type, 1/4" tube, 1/8"NPT male	
32	70034265	1	CAP, oil filler tube	
33	70648618	1	GAUGE, oil level	
34	70034268	1	PLUG, oil filler tube	
35	70034269	1	GASKET, oil filler tube plug	
36	70632370	1	TUBE, oil filler.	
37	70035018	2	CAPSCREW, 1/2"NF x 1-1/2"	
	70904208	2	LOCKWASHER, 1/2"	
38	70632368	1	GASKET, oil filler tube	
39	70096214	2	CAP ASSY., track frame pivot shaft, inner (For tractors prior to #14943 only)	
	70096213	2	CAP ASSY., track frame pivot shaft, outer	
			NOTE: Each Cap Assembly includes items 3 and 4; also upper block which requires welding to housing.	
40	70640109	1	BAFFLE, oil, front section	} Effective with tractor #13212
41	70099963	1	CAPSCREW, drilled-hd., 3/8"NC x 2"	
42	70023633	1	WIRE, locking, 1/16" x 12"	
43	70044973	1	WASHER, plain	
44	70642308	1	BAFFLE, oil, rear section	
45	70099963	2	CAPSCREW, drilled-hd., 3/8"NC x 2"	
46	70023756	1	WIRE, locking, 1/16" x 26"	
47	70044973	2	WASHER, plain	



FINAL DRIVE PINION SHAFT

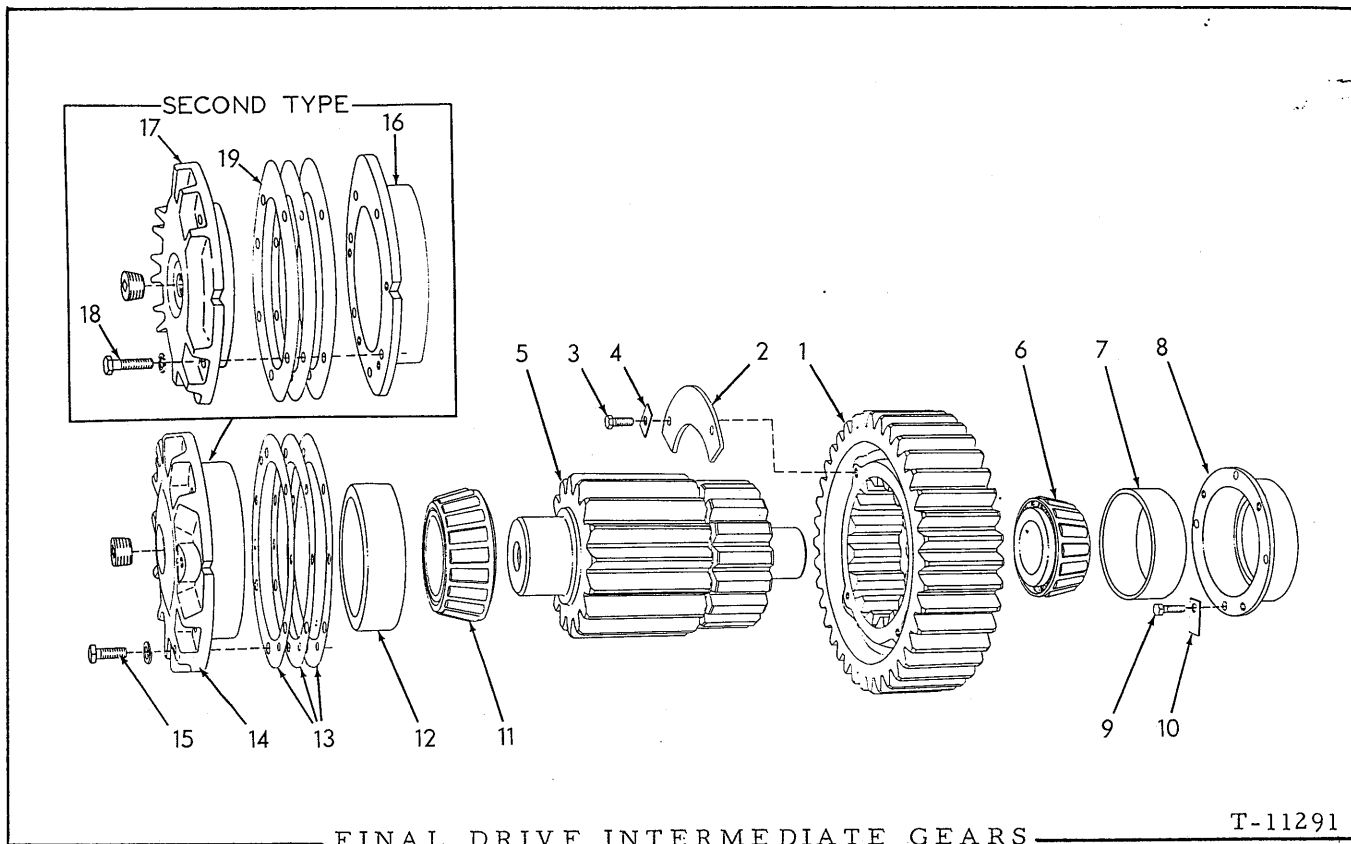
T-27407

ITEM	PART NO.	QTY.	DESCRIPTION
1	70093953	2	DRUM, brake
2	70623344	2	HUB, brake drum
3	70650811	24	BOLT, brake drum (5/8"NC x 1-1/2")
4	70071085	2	CAPSCREW, hub retaining
5	70623347	2	WASHER, locking, hub retaining
6	70623345	2	WASHER ASSEMBLY, hub retaining (Includes item 7)
7	70052066	2	PIN, hub retaining washer
8	70623346	2	SEAL, oil, pinion shaft (rubber)
9	70623350	2	SEAL, oil, brake drum hub
10	70623349	2	CAGE, inner bearing cup
11	70035018	12	CAPSCREW, 1/2"NF x 1-1/2"
	70904208	12	LOCKWASHER, 1/2"
12	70052420	2	GASKET, bearing cage
13	70042877	2	CUP, inner bearing
14	70051997	2	CONE ASSEMBLY, inner bearing
15	70093949	2	PINION (14 teeth)(Tractors prior to #14943, including tractors #15016 thru #15071)
	70651502	2	PINION (13 teeth)(Tractors #14943 and up excluding tractors #15016 thru #15071)
16	70082304	2	CONE ASSEMBLY, outer bearing
17	70082305	2	CUP, outer bearing
18	70084048	4	SHIM, bearing adjustment (.005" thick. Use as required)
	70084049	4	SHIM, bearing adjustment (.007" thick. Use as required)
	70084050	20	SHIM, bearing adjustment (.010" thick. Use as required)
19	70082319	2	CAGE, outer bearing cup
20	70035018	8	CAPSCREW, 1/2"NF x 1-1/2"
	70904208	8	LOCKWASHER, 1/2"



STEERING CLUTCHES

ITEM	PART NO.	QTY.	DESCRIPTION
1	70623010	2	CLUTCHES ASSY. (Consists of items 3 thru 12)
2	70650812	24	BOLT, self-locking, 5/8"NC x 2"
3	70650691	2	HUB, steering clutch
4	70052117	2	PLATE, back (Used prior to tractor #14618)
5	70623017	32	DISC, friction (bi-metallic)
6	70623018	36	DISC, friction (steel)(Use as required)
7	70054809	2	PLATE, pressure
8	70623016	20	SPRING, pressure
9	70051836	2	PLATE, throwout
10	70052118	20	SPACER, throwout plate
11	70929079	20	CAPSCREW, plate (drilled-hd., 1/2"NF x 6-1/2"
12	70052519	4	WIRE, locking (1/16" x 39")
13	70623013	2	HUB, driving
14	70623345	2	WASHER ASSY., hub retaining (Includes item 17)
15	70071085	2	BOLT, thin-hd., 1-1/4"NF x 2-1/2" (Original equipment)
	70684726	2	BOLT, thin-hd., 1-1/4" x 2" (For use with service replacement Shaft 70684725)
16	70623347	2	WASHER, locking
17	70052066	2	PIN, hub retaining washer
18	70623014	2	SLEEVE, throwout
19	70623007	2	CONE ASSY., clutch throwout bearing
20	70623008	2	CUP, clutch throwout bearing
21	70623003	2	RING, sealing, actuating piston, outer
22	70623012	2	PISTON, actuating
23	70623004	2	RING, sealing, actuating piston, inner
24	70004075	6	SPRING, actuating piston
25	-----	2	RING, collector (Used prior to tractor #13094. (Order 1 each Ring 70642448, Hose Assembly 70645074, Plug 70921573, Elbow 70921402)
	70642448	2	RING, collector (Effective with tractor #13094)
	70921573	2	PLUG, hex-hd., 3/4"NF (Includes O-Ring 70921349)
26	70035733	6	CAPSCREW, 1/2"NC x 1-3/8"
	70904208	6	LOCKWASHER, 1/2"
27	70628747	2	TUBE ASSY., oil pressure (Includes Nuts)(Used prior to tractor #13094)
	70919128	2	CONNECTOR, flare type, 1/2"NPT male
28	70645074	2	HOSE, oil pressure (See HOSE PARTS)(Effective with tractor #13094)
	70921402	2	ELBOW, adjustable, 90°, flare type, 1/2" tube, 3/4"NF (Includes Washers, Nuts and O-Ring 70921349)
29	-----	2	UNION (See CONTROL VALVE AND LINES)



T-11291

* Tractors prior to serial No. 14335

** Tractors serial No. 14335 and up

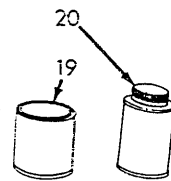
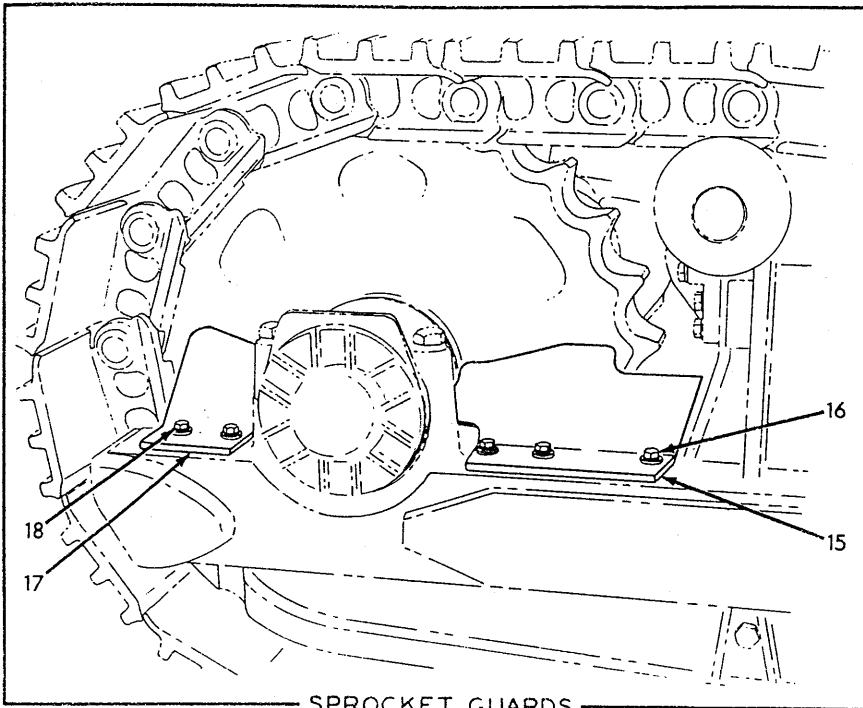
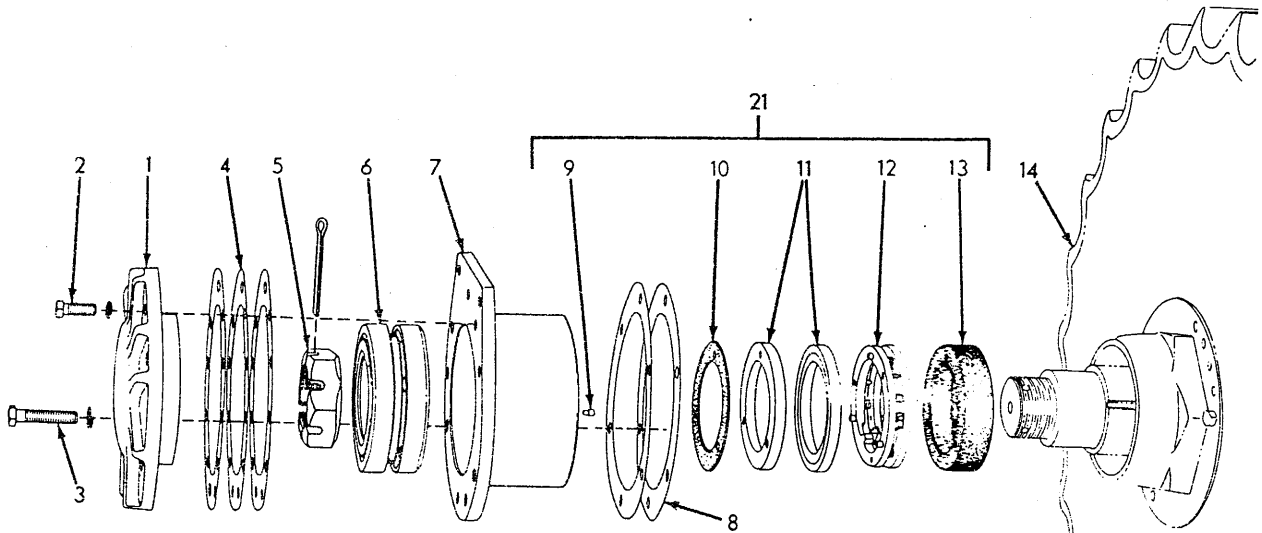
ITEM	PART NO.	QTY.		DESCRIPTION
		*	**	
1	70051967	2	2	GEAR (38 teeth)(Tractors prior to #14943, including tractors #15016 thru #15071)
	70680947	-	2	GEAR (34 teeth)(Tractors #14943 and up excluding tractors #15016 thru #15071)
2	70052372	4	4	LOCK, gear
3	70923276	8	8	CAPSCREW, 3/8"NF x 1"
4	70052444	8	8	LOCK, capscREW
5	70622812	2	2	PINION (16 teeth)(Tractors prior to #14943, including tractors #15016 thru #15071)
	70651499	-	2	PINION (13 teeth)(Tractors #14943 and up excluding tractors #15016 thru #15071)
6	70061456	2	2	CONE ASSY., pinion inner bearing
7	70605334	2	2	CUP, pinion inner bearing
8	70650668	2	2	CAGE, pinion inner bearing cup
9	70036034	8	8	CAPSCREW, 3/8"NF x 1"
10	70068999	8	8	LOCK, capscREW
11	70051989	2	2	CONE ASSY., pinion outer bearing
12	70051988	2	2	CUP, pinion outer bearing
13	70094120	4	-	SHIM, bearing adjustment (.005")
	70094121	4	-	SHIM, bearing adjustment (.007")
	70094122	14	-	SHIM, bearing adjustment (.010")
				} Use as required

(Continued)

(Revised August 1979)

FINAL DRIVE INTERMEDIATE GEARS (Continued)

ITEM	PART NO.	QTY.		DESCRIPTION	
		*	**		
14	70621479	2	-	CAGE, pinion outer bearing	
	70901666	2	-	PLUG, pipe, ctsh-hd., 1"NPT	
15	70023465	12	-	CAPSCREW, 5/8"NF x 1-3/4"	
	70904209	12	-	LOCKWASHER, 5/8"	
16	70650420	-	2	CAGE, pinion outer bearing	
17	70650419	-	2	RETAINER, pinion outer bearing	
	70901666	-	2	PLUG, pipe, ctsh-hd., 1"NPT	
18	70035248	-	12	CAPSCREW, 5/8"NF x 2-1/4"	
	70904209	-	12	LOCKWASHER, 5/8"	
19	70650418	-	10	SHIM, bearing adjustment (.005")	} Use as required
	70650417	-	10	SHIM, bearing adjustment (.007")	
	70650416	-	14	SHIM, bearing adjustment (.010")	



FINAL DRIVE OUTBOARD BEARING AND SEAL

T-38155

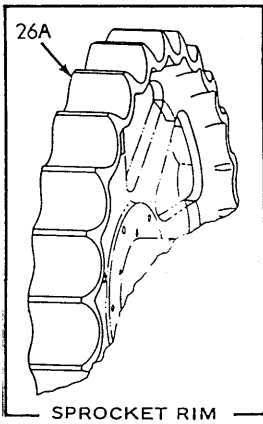
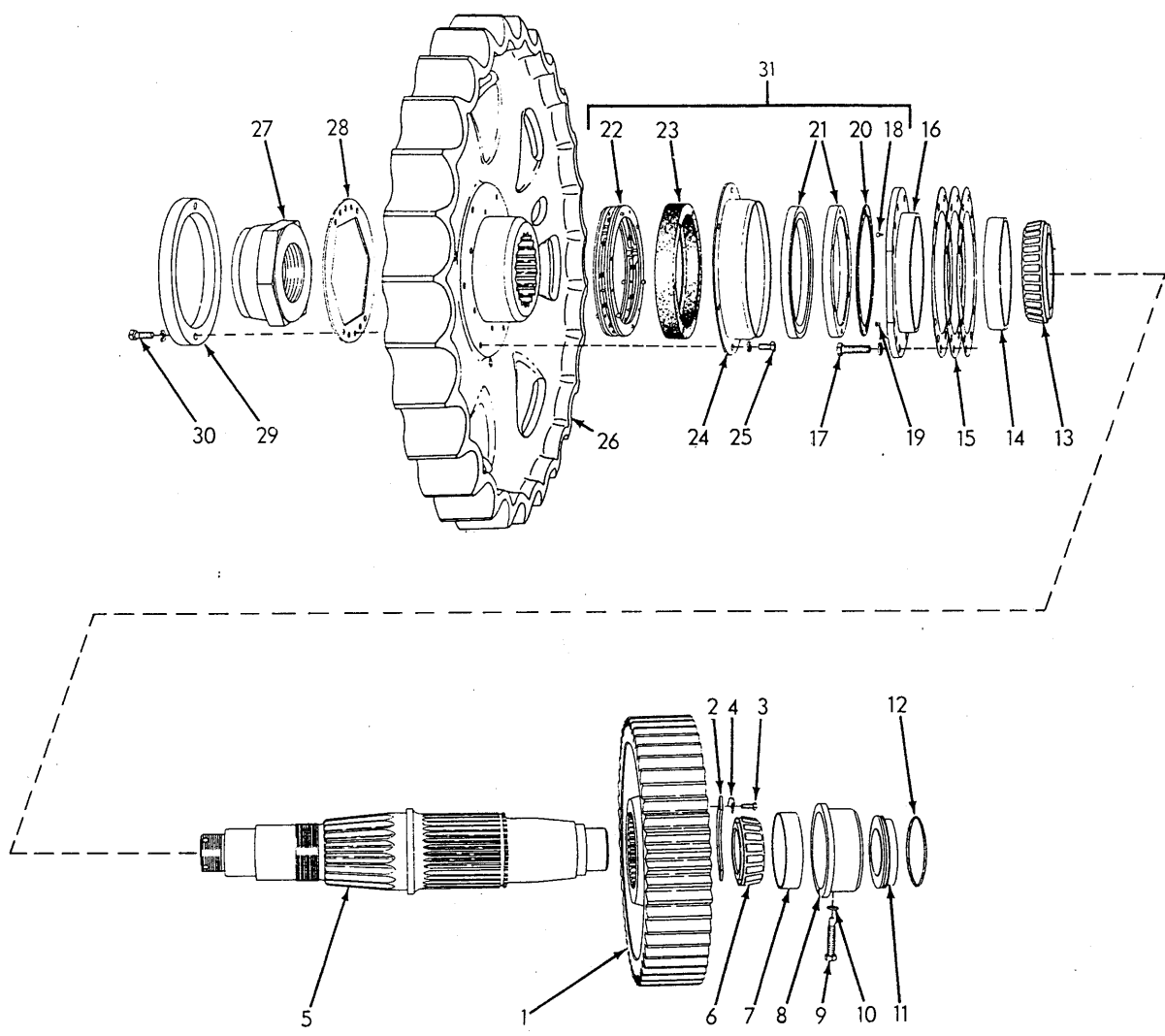
FINAL DRIVE OUTBOARD BEARING AND SEAL

ITEM PART NO. QTY. DESCRIPTION

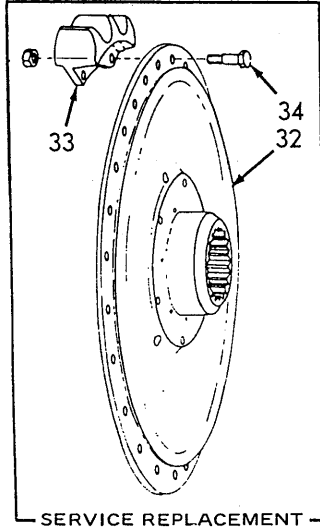
1	70082316	2	CAP, outboard bearing	
2	70614478	6	CAPSCREW, 1/2"NF x 1-3/8"	
	70904208	6	LOCKWASHER, 1/2"	
3	70927603	12	CAPSCREW, 5/8"NF x 3"	
	70912942	12	LOCKWASHER, 5/8"	
4	70082358	4	SHIM, outboard bearing cap (.005" thick. Use as req'd)	
	70082357	4	SHIM, outboard bearing cap (.007" thick. Use as req'd)	
	70082356	8	SHIM, outboard bearing cap (.010" thick. Use as req'd)	
5	70082311	2	NUT, retaining, outboard bearing	
	70904016	2	PIN, cotter, 3/8" x 4"	
6	70082306	2	BEARING, roller, outboard (Each consists of 1 roller assembly and 2 cups. Serviced only as a unit)	
7	70082327	2	CAGE, outboard bearing	
8	70069761	12	SHIM, outboard bearing cage. (015" thick. Use as req'd)	
9	70084432	6	□PIN, locating, seal ring	
10	70082309	2	□GASKET, seal ring	
11	70082303	4	□RING, seal	
12	70082317	2	□FOLLOWER ASSEMBLY, seal (Serviced only as a unit)	
13	70082312	2	□BOOT, seal	
14	-----	-	SPROCKET (See SPROCKET, SHAFT AND GEAR)	
15	70622411	1	PLATE, front closure, left side	
	70622412	1	PLATE, front closure, right side	
16	70023755	6	CAPSCREW, 5/8"NC x 2-1/4"	
	70904209	6	LOCKWASHER, 5/8"	
	70602448	6	WASHER, plain	
17	70622413	1	PLATE, rear closure, left side	
	70622414	1	PLATE, rear closure, right side	
18	70023755	4	CAPSCREW, 5/8"NC x 2-1/4"	
	70904209	4	LOCKWASHER, 5/8"	
	70602448	4	WASHER, plain	
19	70033288	-	CEMENT, neoprene, 1/2 pt. can	} For cementing boots and gaskets
20	70054890	-	SOLVENT, neoprene cement, 1/2 pt. can	
21	70091979	2	SEAL KIT, final drive (Includes parts for one (1) side only; items 9 thru 13)	

□Components of item 21

(Revised August 1979)



SPROCKET RIM



SERVICE REPLACEMENT

FINAL DRIVE SPROCKET SHAFT AND GEAR

T-17409

FINAL DRIVE SPROCKET, SHAFT AND GEAR

ITEM	PART NO.	QTY.	DESCRIPTION
1	70651274	2	GEAR, driving (51 teeth)(Used prior to tractor #14943, including tractors #15016 thru #15071. If for tractors prior to #14350 also order 4 CAPSCREW 035439)
	70651501	2	GEAR, driving (43 teeth)(Effective with tractors #14943 and up, excluding tractors #15016 thru #15071)
2	70052161	4	LOCK, gear retaining
3	70036034	8	CAPSCREW, 3/8"NF x 1" (Used prior to tractor #14350)
	70035439	8	CAPSCREW, 3/8"NC x 1" (Effective with tractor #14350)
4	70052444	8	LOCK, capscrew
5	70099962	2	SHAFT, sprocket
6	70051997	2	CONE ASSY., inner bearing
7	70042877	2	CUP, inner bearing
8	70067350	2	CAGE, inner bearing cup
9	70067348	2	SETSCREW, hex-hd., dog-pt., 5/8"NF x 3"
10	70049918	2	WASHER, plain (copper)
11	70091573	2	COVER, inner bearing
12	70923824	2	O-RING, inner bearing cover
13	70082307	2	CONE ASSY., intermediate bearing
14	70082308	2	CUP, intermediate bearing
15	70067518	4	SHIM, bearing adjustment (.005" thick)
	70067519	4	SHIM, bearing adjustment (.007" thick)
	70067520	20	SHIM, bearing adjustment (.010" thick)
			} Use as required
16	70082310	2	CAGE ASSY., intermediate bearing (Includes items 18 and 19)
17	70035229	16	CAPSCREW, 5/8"NF x 2"
	70904209	16	LOCKWASHER, 5/8"
18	70084432	6	<input type="checkbox"/> PIN, locating, seal ring (9/16" long)
19	70080547	6	<input type="checkbox"/> PIN, locating, seal ring gasket (13/32" long)
20	70082320	2	<input type="checkbox"/> GASKET, seal ring
21	70082322	4	<input type="checkbox"/> RING, inner seal
22	70082326	2	<input type="checkbox"/> FOLLOWER ASSY., inner seal (Tractors prior to #14943)(Serviced only as a unit)
	70669770	2	<input type="checkbox"/> FOLLOWER ASSY., inner seal (Tractors #14943 and up) (Serviced only as a unit)
23	70082323	2	<input type="checkbox"/> BOOT, inner seal
24	70082321	2	GUARD, seal
25	70035221	12	CAPSCREW, 1/2"NC x 1"
	70904208	12	LOCKWASHER, 1/2"
26	70663±24	2	SPROCKET, track driving (Standard. Has flat-tooth base)
	70622171	2	SPROCKET, track driving (Special. Has skeleton-tooth base to minimize packing of track)
	70662274	2	SPROCKET, track driving (Standard. Has flat-tooth base)(Tractors serial No. #14943 and up)
			} Tractors prior to #14943 (Install rim 70662275 for use with service replacement chain 70694874)
26A	70663±29	2	SPROCKET RIM (Flat-tooth base. Requires welding to install) (Tractors prior to #14943)
	70662275	2	SPROCKET RIM (Flat-tooth base. Requires welding to install) (Tractors #14943 and up)(Required with service replacement chain assembly 70691066)
27	70082318	2	NUT, sprocket retaining

Components of item 31

(Continued)

FINAL DRIVE SPROCKET, SHAFT AND GEAR

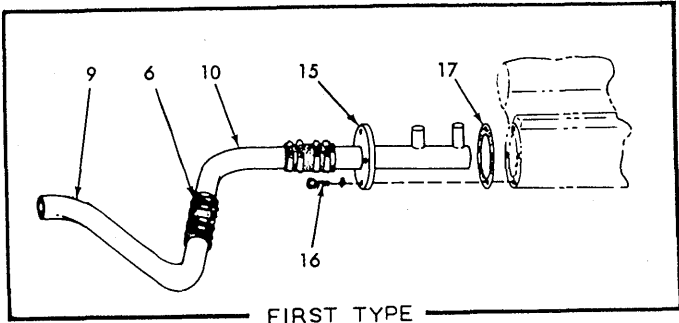
ITEM	PART NO.	QTY.	DESCRIPTION
28	70082315	2	LOCK, sprocket retaining nut
29	70630056	2	RING, nut protecting
30	70035190	4	CAPSCREW, 1/2"NC x 1-1/2"
	70904208	4	LOCKWASHER, 1/2"
31	70091978	2	SEAL KIT, final drive (Includes parts for one (1) side only; items 18 thru 23)
32	70693694	2	HUB, sprocket segment
33	73111948	18	SEGMENT
34	73111949	54	BOLT, 7/8"NF x 2-7/8"
	70679507	54	NUT, 7/8"NF

} Service replacement

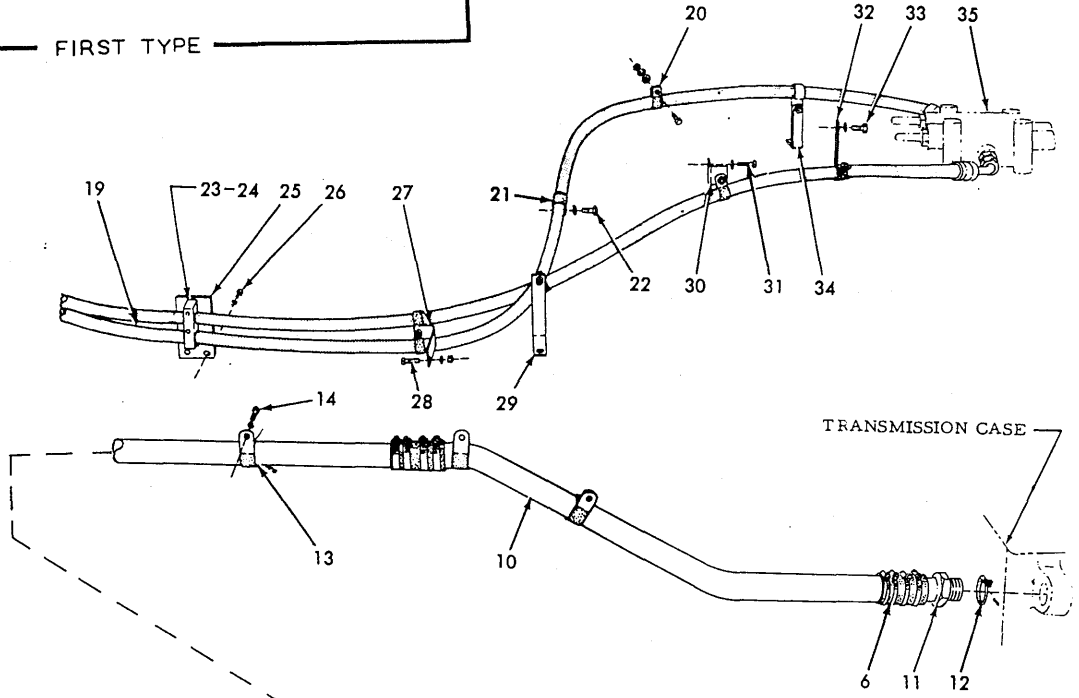
MEMO

199B

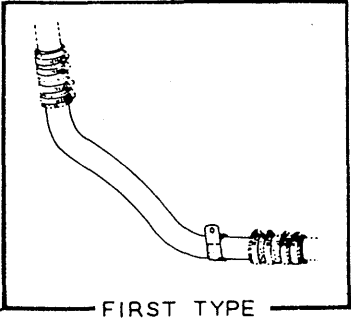
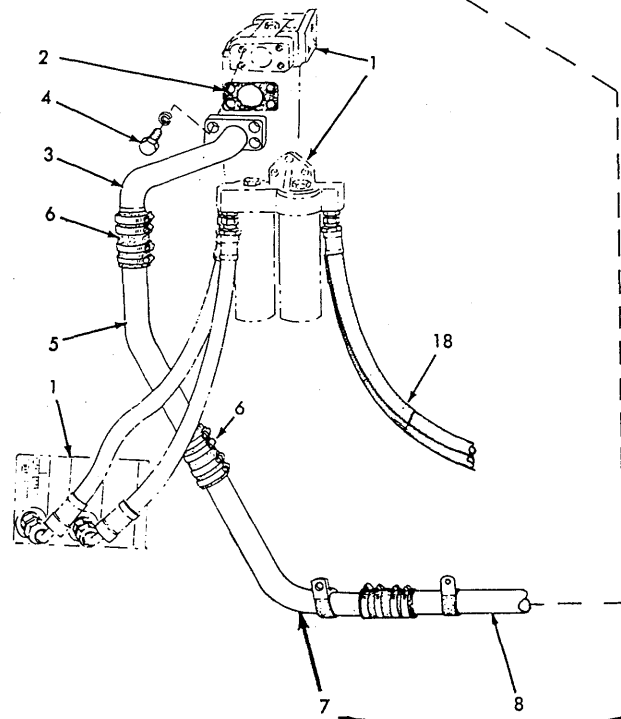
(Added August 1979)



FIRST TYPE



TRANSMISSION CASE



FIRST TYPE

HYDRAULIC STEERING CONTROL

T-40609

HYDRAULIC STEERING CONTROL

* Tractors prior to serial No. 13116
 ** Tractors serial No. 13116 thru No. 14756
 Δ Tractors serial No. 14757 and up

ITEM	PART NO.	QUANTITY			DESCRIPTION
		*	**	Δ	
1	-----	-	-	-	STEERING PUMP AND FILTERS (See pages 203, 206 and 208 for details)
2	70652011	-	-	1	GASKET, suction line elbow
3	70652018	-	-	1	ELBOW, suction line
4	70035061	-	-	4	CAPSCREW, 1/2"NC x 1-1/4"
	70904208	-	-	4	LOCKWASHER, 1/2"
5	70652013	-	-	1	TUBE, suction line, front upper section
6	70623234	5	4	5	HOSE, suction line
	70921913	20	16	20	CLAMP, hose, 1-13/16" to 2-3/4" diam.
7	70641763	1	1	-	TUBE, suction line, front section (Used prior to tractor #13714)
	70641762	-	1	-	TUBE, suction line, front section (Effective with tractor #13714)
	70652016	-	-	1	TUBE, suction line, front section
8	70623094	1	1	1	TUBE, suction line, intermediate front section
9	70639872	1	-	-	TUBE, suction line, intermediate rear section
10	70639871	1	-	-	TUBE, suction line, rear section
	70641962	-	1	1	TUBE, suction line, rear section
11	70641963	-	1	1	ADAPTER, suction line
12	70921887	-	1	1	O-RING, suction line adapter
13	70623235	5	5	5	CLIP, tube supporting
14	70070467	5	5	-	CAPSCREW, 1/2"NF x 1" (Early units)
	70035221	-	5	5	CAPSCREW, 1/2"NC x 1" (Late units)
	70904208	5	5	5	LOCKWASHER, 1/2"
15	70641727	1	-	-	TUBE, flanged
16	70035733	4	-	-	CAPSCREW, 1/2"NC x 1-3/8"
	70904208	4	-	-	LOCKWASHER, 1/2"
17	70623122	1	-	-	GASKET, flanged tube
18	70644609	1	1	1	HOSE, filter to valve, left (See HOSE PARTS)
	70919342	1	1	1	CONNECTOR, flare type, 3/4" tube, 3/4"NPT male
	70919615	1	1	-	CONNECTOR, flare type, 3/4" tube, 1/2"NPT male (Tractors prior to #14274)
	70922935	-	1	1	CONNECTOR, flare type, 3/4" tube, 3/4"NF male end (Includes O-RING 70921349)(Tractors #14274 and up)
19	70645082	1	1	1	HOSE, filter to valve, right (See HOSE PARTS)
	70919342	1	1	1	CONNECTOR, flare type, 3/4" tube, 3/4"NPT male
	70919615	1	1	-	CONNECTOR, flare type, 3/4" tube, 1/2"NPT male (Tractors prior to #14274)
	70922935	-	1	1	CONNECTOR, flare type, 3/4" tube, 3/4"NF male end (Includes O-RING 70921349)(Tractors #14274 and up)

(Continued)

HYDRAULIC STEERING CONTROL (Continued)

ITEM	PART NO.	QUANTITY			DESCRIPTION
		*	**	Δ	
20	70621451	7	7	-	CLIP, hose supporting (1-1/16" diam., 13/32" bolt-hole) (Tractors prior to #13738)
	70644612	-	7	7	CLIP, hose supporting (1-3/16" diam., 17/32" bolt-hole) (Tractors #13738 and up)
	70036032	3	3	3	CAPSCREW, 3/8"NF x 3/4"
	70035167	1	1	1	CAPSCREW, 3/8"NF x 7/8"
	70036034	2	2	2	CAPSCREW, 3/8"NF x 1"
	70911115	6	6	6	WASHER, plain, SAE std., 3/8"
	70904206	6	6	6	LOCKWASHER, 3/8"
	70911041	6	6	6	NUT, 3/8"NF
21	70622916	1	1	-	CLIP, hose supporting (1-1/16" diam.)(Tractors prior to #13738)
	70644612	-	1	1	CLIP, hose supporting (1-3/16" diam.)(Tractors #13738 and up)
22	70035221	1	1	1	CAPSCREW, 1/2"NC x 1"
	70904208	1	1	1	LOCKWASHER, 1/2"
23	70623281	1	1	-	CLAMP, hose supporting (Half only. Plain holes)(Tractors prior to #13738)
	70644611	-	1	2	CLAMP, hose supporting (Half only. Plain holes. For crimp- type hose)(Tractors #13738 and up)
	70046419	2	2	-	CAPSCREW, 3/8"NF x 2"
	70916388	-	-	2	CAPSCREW, 3/8"NF x 2-3/4"
	70904206	2	2	2	LOCKWASHER, 3/8"
	70044973	2	2	2	WASHER, plain
	70911041	-	-	2	NUT, 3/8"NF
24	70623304	1	1	-	CLAMP, hose supporting (Half only. Threaded holes)(Tractors prior to #13738)
	70644610	-	1	-	CLAMP, hose supporting (Half only. Threaded holes. For crimp-type hose)(Tractors #13738 and up)
25	70644614	1	1	1	PLATE, hose supporting clamps
26	70035061	2	2	2	CAPSCREW, 1/2"NC x 1-1/4"
	70904208	2	2	2	LOCKWASHER, 1/2"
27	70631115	1	1	1	BRACKET, hose supporting
28	70012992	2	2	2	CAPSCREW, 3/8"NF x 1-1/4"
	70904206	2	2	2	LOCKWASHER, 3/8"
	70911041	2	2	2	NUT, 3/8"NF
29	70631107	1	1	1	ANGLE, hose supporting, intermediate
30	70631108	1	1	1	ANGLE, hose supporting, intermediate
31	70012992	2	2	2	CAPSCREW, 3/8"NF x 1-1/4"
	70904206	2	2	2	LOCKWASHER, 3/8"
32	70639812	1	1	1	ANGLE, hose supporting, rear
33	70035221	1	1	1	CAPSCREW, 1/2"NC x 1"
	70904208	1	1	1	LOCKWASHER, 1/2"
34	70631110	1	1	1	ANGLE, hose supporting, rear
35	-----	-	-	-	VALVE, control (See CONTROL VALVE AND LINES)

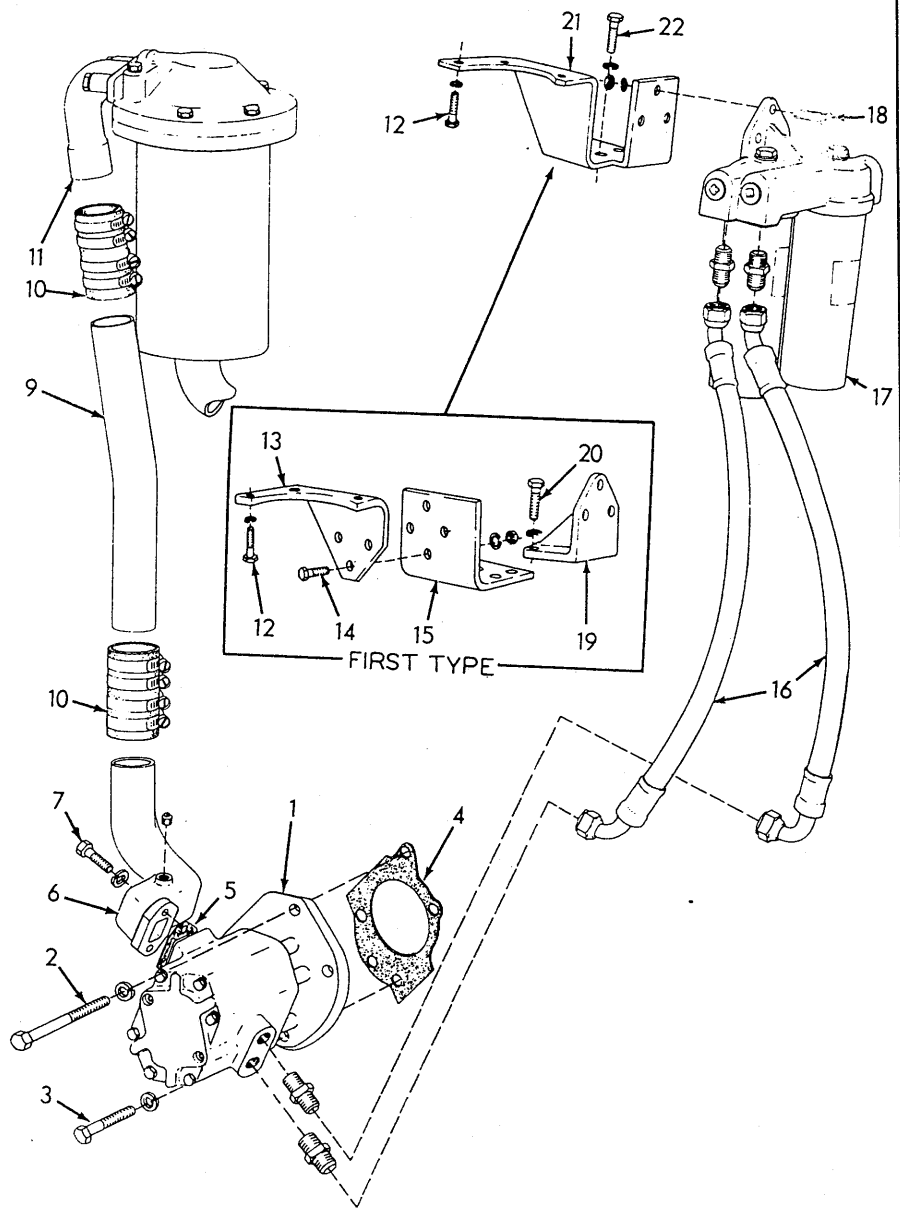
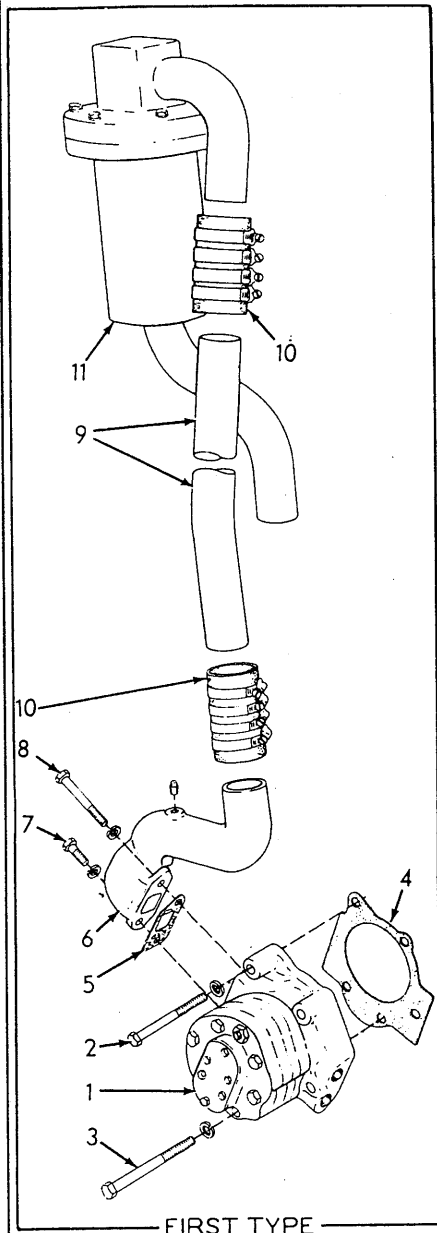
STEERING PUMP AND FILTERS

USAGE: Tractors prior to serial No. 14484

*Used prior to engine serial No. 21-05624
 **Effective with engine serial No. 21-05624

ITEM	PART NO.	QTY. * **	DESCRIPTION
1	70099915	1 -	PUMP ASSEMBLY ("Roper." See page 213 for parts)(Can be replaced by PUMP ASSEMBLY 638911 or PUMP ASSEMBLY 70654180, 3 Capscrew 70082013, 2 Capscrew 70041250 and 1 Tube 70641876)
	70641625	- 1	PUMP ASSEMBLY ("Webster." See page 214 for parts)(Order PUMP ASSEMBLY 70655782, Elbow 70655998, Gasket 70655999, 2 Capscrew 70044249, 2 Lockwasher 70904206 and 2 Connector 70922981)
	70638911	1 -	PUMP ASSEMBLY ("Webster." See 214 for parts)(Used as service replacement for PUMP ASSEMBLY 70099915)
	70654180	1 -	PUMP ASSEMBLY ("Cessna." See page 217 for parts)(Used as service replacement for PUMP ASSEMBLY 70099915)
2	70082937	3 -	CAPSCREW, 3/8"NC x 4-1/2"
	70082013	- 3	CAPSCREW, 3/8"NC x 3-1/4"
	70904206	3 3	LOCKWASHER, 3/8"
3	70622781	2 -	CAPSCREW, 7/16"NC x 4-7/8"
	70041250	- 2	CAPSCREW, 7/16"NC x 1-1/4"
	70904207	2 2	LOCKWASHER, 7/16"
4	74371742	1 1	GASKET, pump mounting
5	70082811	1 1	GASKET, inlet elbow
6	70639850	1 1	ELBOW, pump inlet (Used prior to tractor #13714)
	70643570	- 1	ELBOW, pump inlet (Effective with tractor #13714)
7	70901651	1 1	PLUG, pipe, 1/8"NPT
	70041250	1 2	CAPSCREW, 7/16"NC x 1-1/4" (One (1) less used with ELBOW 639850)
8	70082905	1 1	CAPSCREW, 7/16"NC x 3-1/4" (Used prior to tractor #13714)
	70904207	2 2	LOCKWASHER, 7/16"
9	70641777	1 -	TUBE, pump inlet
	70641876	- 1	TUBE, pump inlet (Tractors prior to #13714)
	70643573	- 1	TUBE, pump inlet (Tractors #13714 and up)
10	70623234	2 2	HOSE, suction line
	70921913	8 8	CLAMP, hose, 1-13/16" to 2-3/4" diam.
11	70641722	1 1	FILTER ASSEMBLY, suction line (See page 210 for parts)(Used prior to tractor #13714)
	70643606	- 1	FILTER ASSEMBLY, suction line (See page 210 for parts)(Effective with tractor #13714)
12	70070469	3 3	CAPSCREW, 1/2"NF x 1-1/4"
	70904208	3 3	LOCKWASHER, 1/2"

(Continued)



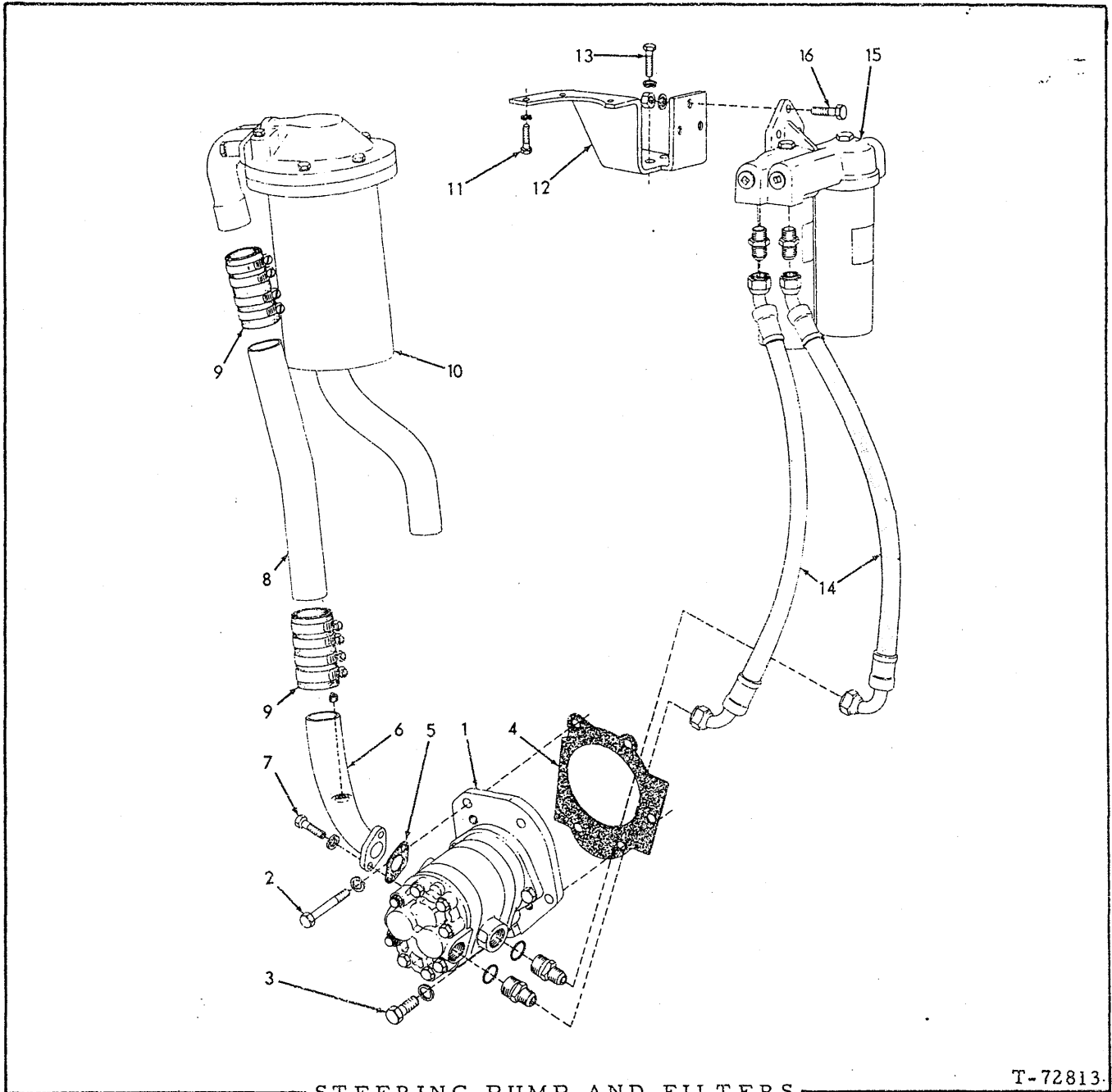
STEERING PUMP AND FILTERS (First type)

T-70456

STEERING PUMP AND FILTERS (Continued)

ITEM	PART NO.	QTY.		DESCRIPTION
		*	**	
13	70641689	1	1	BRACKET, suction line filter, front (Used prior to tractor #13714)
14	70035073	3	3	CAPSCREW, 1/2" x 1-1/4"
	70904208	3	3	LOCKWASHER, 1/2"
	70911043	3	3	NUT, 1/2"NF
15	70641760	1	1	BRACKET, suction line filter, rear (Used prior to tractor #13714)
16	70647414	2	2	HOSE, pump to filter (See HOSE PARTS)
	70919615	2	2	CONNECTOR, flare type, 3/4" tube, 1/2"NPT male
	70919342	2	2	CONNECTOR, flare type, 3/4" tube, 3/4"NPT male
17	70633797	1	1	FILTER ASSEMBLY, pressure line (See page 211 for parts)
18	70035073	3	3	CAPSCREW, 1/2"NF x 1-3/4"
	70904208	3	3	LOCKWASHER, 1/2"
	70911043	3	3	NUT, 1/2"NF
19	70633385	1	1	BRACKET, filter mounting (Used prior to tractor #13714)
20	70035236	4	4	CAPSCREW, 1/2"NC x 1-3/4"
	70904208	4	4	LOCKWASHER, 1/2"
21	70645101	-	1	BRACKET, filter mounting (Effective with tractor #13714)
22	70035061	-	4	CAPSCREW, 1/2"NC x 1-1/4"
	70904208	-	4	LOCKWASHER, 1/2"

NOTE: See PAINTING AND MARKING for transfers



STEERING PUMP AND FILTERS

T-72813

USAGE: Tractors serial No. 14484 thru 14756

ITEM	PART NO.	QTY.	DESCRIPTION
1	70655782	1	PUMP ASSEMBLY ("Cessna." See page 215 for parts)
2	70082013	3	CAPSCREW, 3/8"NC x 3-1/4"
	70904206	3	LOCKWASHER, 3/8"
3	70041250	2	CAPSCREW, 7/16"NC x 1-1/4"
	70904207	2	LOCKWASHER, 7/16"

4 704371742 1 GASKET, pump mounting

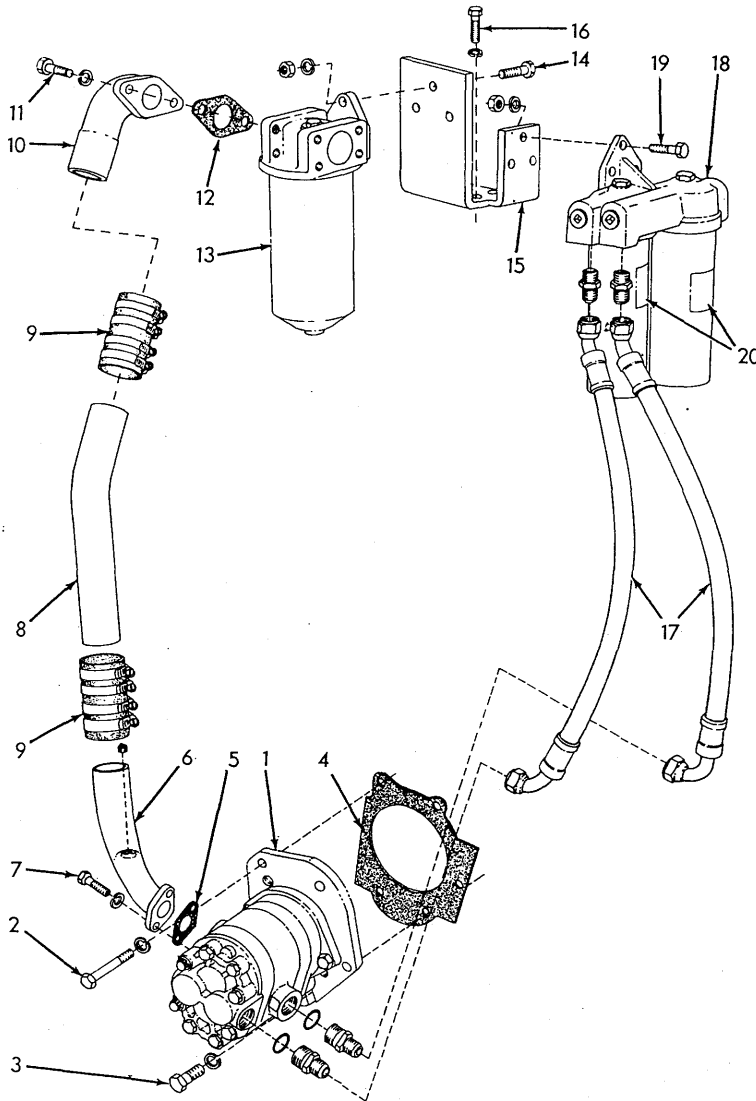
5 70655999 1 GASKET, inlet elbow

(Continued)

STEERING PUMP AND FILTERS (Continued)

ITEM	PART NO.	QTY.	DESCRIPTION
6	70655998	1	ELBOW, pump inlet
	70901651	1	PLUG, pipe, 1/8"NPT
7	70044249	2	CAPSCREW, 3/8"NC x 1-1/8"
	70904206	2	LOCKWASHER, 3/8"
8	70643573	1	TUBE, pump inlet
9	70623234	2	HOSE, suction line
	70921913	8	CLAMP, hose, 1-13/16" to 2-3/4" diam.
10	70643606	1	FILTER ASSEMBLY, suction line (See page 210 for parts)
11	70070469	3	CAPSCREW, 1/2"NF x 1-1/4"
	70904208	3	LOCKWASHER, 1/2"
12	70645101	1	BRACKET, filter mounting
13	70035061	4	CAPSCREW, 1/2"NC x 1-1/4"
	70904208	4	LOCKWASHER, 1/2"
14	70647414	2	HOSE, pump to filter (See HOSE PARTS)
	70919342	2	CONNECTOR, flare type, 3/4" tube, 3/4"NPT male
	70922981	2	CONNECTOR, flare type, 3/4" tube, 7/8" straight male thread (Includes O-RING 70921205)
15	70633797	1	FILTER ASSEMBLY, pressure line (See page 211 for parts)
16	70035073	3	CAPSCREW, 1/2"NF x 1-3/4"
	70904208	3	LOCKWASHER, 1/2"
	70911043	3	NUT, 1/2"NF

NOTE: See PAINTING AND MARKING for transfers



STEERING PUMP AND FILTERS

T-73737

USAGE: Tractors serial No. 14757 and up

ITEM	PART NO.	QTY.	DESCRIPTION
1	70655782	1	PUMP ASSEMBLY (See page 215 for parts)
2	70082013	3	CAPSCREW, 3/8"NC x 3-1/4"
	70904206	3	LOCKWASHER, 3/8"
3	70041250	2	CAPSCREW, 7/16"NC x 1-1/4"
	70904207	2	LOCKWASHER, 7/16"
4	74371742	1	GASKET, pump mounting
5	70655999	1	GASKET, inlet elbow
6	70655998	1	ELBOW, pump inlet
	70901651	1	PLUG, pipe, 1/8"NPT
7	70044249	2	CAPSCREW, 3/8"NC x 1-1/8"
	70904206	2	LOCKWASHER, 3/8"

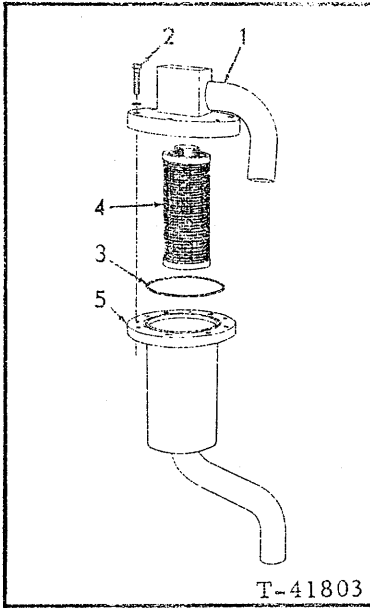
(Continued)

STEERING PUMP AND FILTERS (Continued)

ITEM	PART NO.	QTY.	DESCRIPTION
8	70652014	1	TUBE, pump inlet
9	70623234	2	HOSE, suction line
	70921913	8	CLAMP, hose, 1-13/16" to 2-3/4" diam.
10	70652019	1	ELBOW, pump inlet
11	70035061	2	CAPSCREW, 1/2"NC x 1-1/4"
	70904208	2	LOCKWASHER, 1/2"
12	70652012	1	GASKET, inlet elbow
13	70651113	1	FILTER ASSEMBLY, suction line (See page 212 for parts)
14	70035073	3	CAPSCREW, 1/2"NF x 1-3/4"
	70904208	3	LOCKWASHER, 1/2"
	70911043	3	NUT, 1/2"NF
15	70652017	1	BRACKET, filter mounting
16	70035061	4	CAPSCREW, 1/2"NC x 1-1/4"
	70904208	4	LOCKWASHER, 1/2"
17	70652015	2	HOSE, pump to filter (See HOSE PARTS)
	70919342	2	CONNECTOR, flare type, 3/4" tube, 3/4"NPT male
	70922981	2	CONNECTOR, flare type, 3/4" tube, 1-1/16" straight male thread (Includes O-RING 70921206)
18	70633797	1	FILTER ASSEMBLY, pressure line (See page 211 for parts)
19	70035073	3	CAPSCREW, 1/2"NF x 1-3/4"
	70904208	3	LOCKWASHER, 1/2"
	70911043	3	NUT, 1/2"NF
20	-----	-	TRANSFER (Sée PAINTING AND MARKING)

FILTER ASSEMBLY 70641722

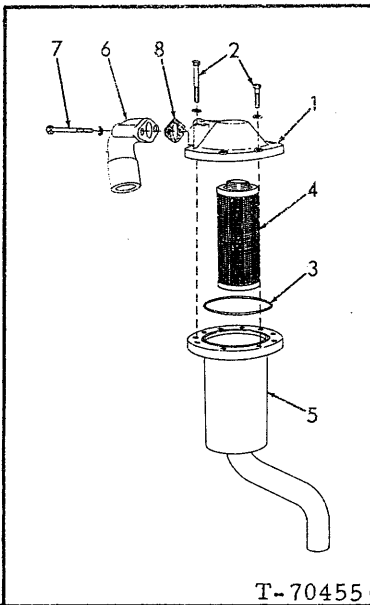
USAGE: See page 203



ITEM	PART NO.	QTY.	DESCRIPTION
1	70641700	1	COVER
2	70035336	6	CAPSCREW, 3/8"NF x 1-3/4"
	70904206	6	LOCKWASHER, 3/8"
3	70923824	1	O-RING
4	70623268	1	SCREEN
5	70641758	1	HOUSING

FILTER ASSEMBLY 70643606

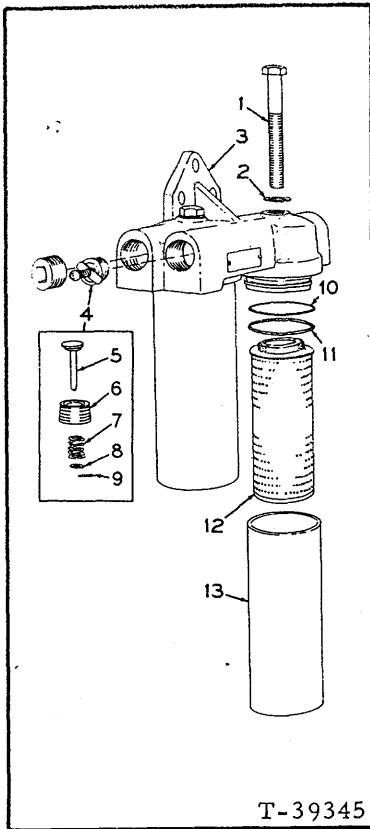
USAGE: See page 203 and 206



ITEM	PART NO.	QTY.	DESCRIPTION
1	70644827	1	COVER
2	70012992	4	CAPSCREW, 3/8"NF x 1-1/4"
	70914339	2	CAPSCREW, 3/8"NF x 2-3/4"
	70904206	6	LOCKWASHER, 3/8"
3	70923824	1	O-RING
4	70623268	1	SCREEN
5	70641758	1	HOUSING
6	70644828	1	ELBOW, outlet
7	70058936	2	CAPSCREW, 3/8"NC x 2-3/4"
	70904206	2	LOCKWASHER, 3/8"
8	70644816	1	GASKET, outlet elbow

FILTER ASSEMBLY 70633797

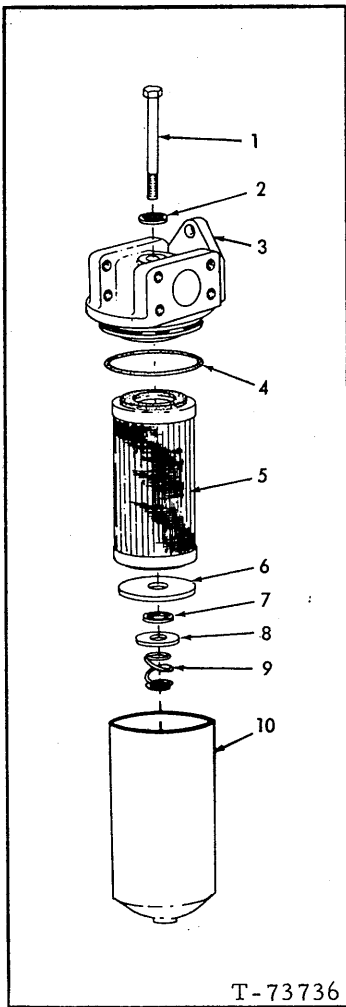
USAGE: See pages 203, 206 and 208



ITEM	PART NO.	QTY.	DESCRIPTION
1	70638796	2	CAPSCREW, tank retaining (5/8"NF x 5")
2	70631869	2	WASHER, tank retaining capscrow
3	70633310 70901661	1 2	HEAD PLUG, pipe, ctsk-hd., 1"NPT
4	70633995	2	VALVE ASSEMBLY, by-pass (Consists of items 5 thru 9)
5	-----	2	VALVE, by-pass (Order item 4)
6	-----	2	HOUSING, by-pass valve (Order item 4)
7	70631870	2	SPRING, valve (1-1/4" long)(Early units)
	70661268	2	SPRING, valve (1-7/16" long)(Late units)
8	70632060	2	WASHER, by-pass valve spring
9	70632061	2	RING, snap, by-pass valve (Early units)
	70900970	2	PIN, cotter, 1/16" x 1/2" (Late units)
10	70632062	2	RING, back-up, filter head o-ring
11	70632063	2	O-RING, filter head
12	70631828	2	ELEMENT KIT (Includes items 2, 10 and 11)
13	70631872	2	TANK

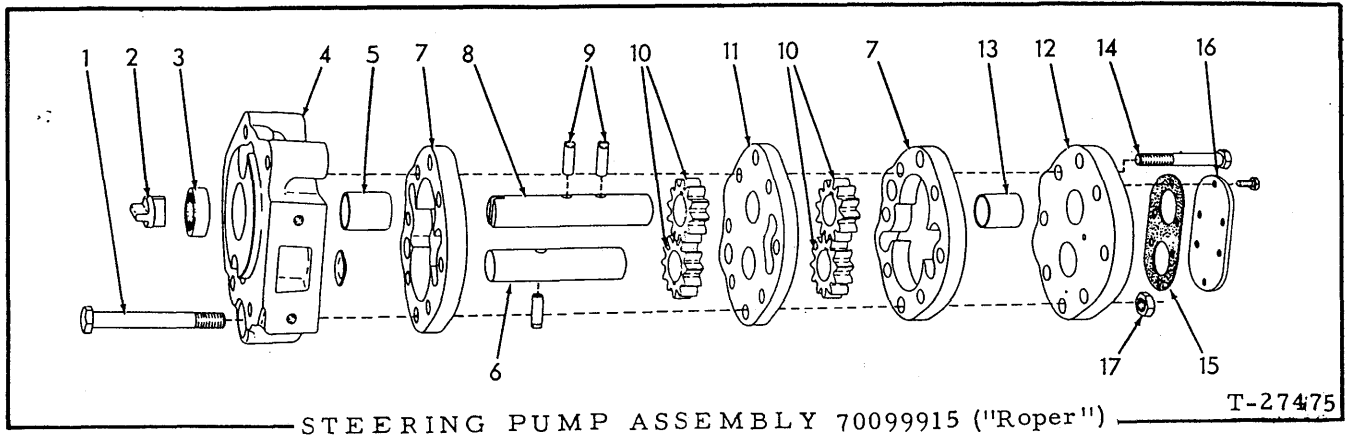
FILTER ASSEMBLY 70651113

USAGE: See page 208



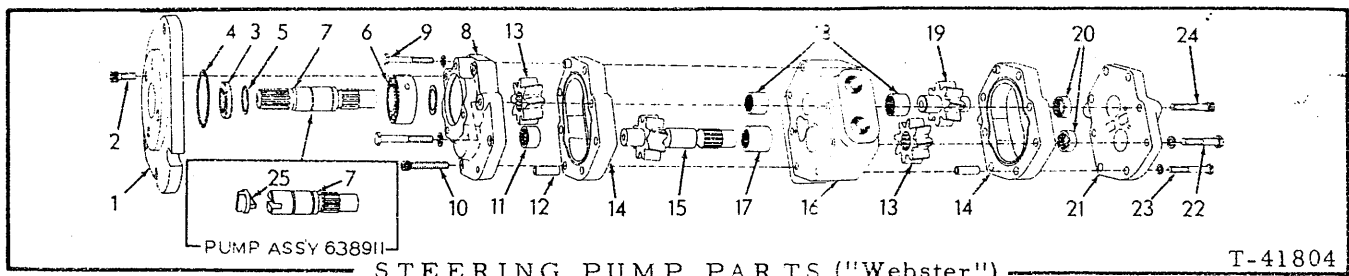
T-73736

ITEM	PART NO.	QTY.	DESCRIPTION
1	70918553	1	CAPSCREW, 7/16" x 4-1/2"
2	70651533	1	WASHER, head capscrew
3	70651529	1	HEAD
4	70923834	1	O-RING, tank sealing
5	70651532	1	ELEMENT
6	70656574	1	PLATE, bottom (large)
7	74254971	1	WASHER, sealing
8	70656573	1	WASHER, bottom (small)
9	70656572	1	SPRING, element retaining
10	70651531	1	TANK



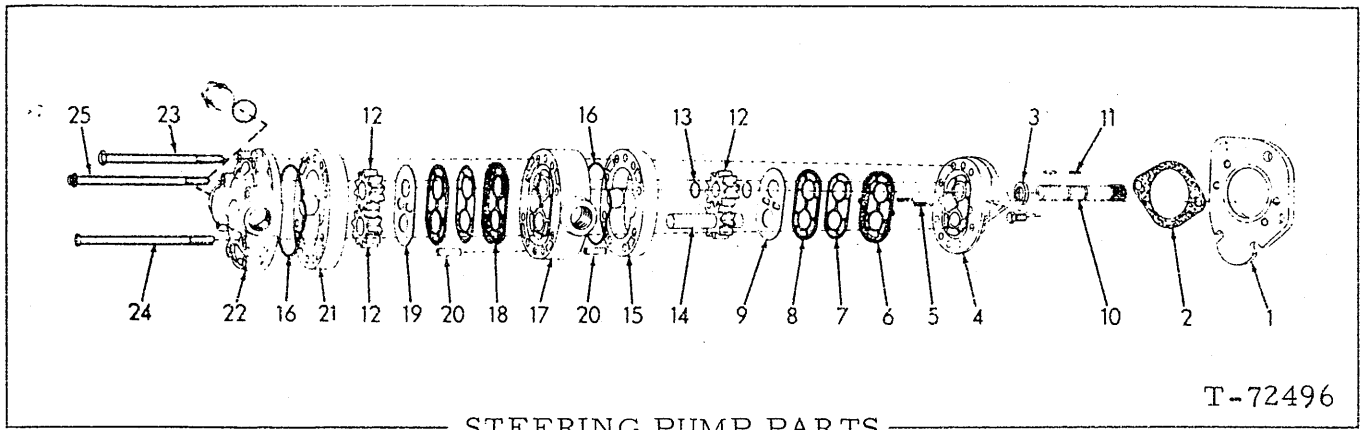
USAGE: See page 203

ITEM	PART NO.	QTY.	DESCRIPTION
1	70622789	2	CAPSCREW, 1/2"NC x 4-1/2"
2	70645109	1	COUPLING, driving shaft
3	70090655	1	SEAL, oil, driving shaft
4	70099914 70910005	1 1	PLATE ASSEMBLY, back (Includes item 5 and PLUG indented below) PLUG, expansion, 1-1/8" diam.
5	70059776	2	BEARING, back plate
6	70099912	1	SHAFT, idling gears
7	70099910	2	CASE
8	70099913	1	SHAFT, driving
9	70059782	3	PIN, gear driving
10	70099916	4	GEAR
11	70099911	1	SPACER
12	70099917	1	PLATE ASSEMBLY, front (Includes item 13)
13	70059776	2	BEARING, front plate
14	70088736	4	CAPSCREW (7/16"NC x .3")
15	70059778	1	GASKET, cover plate
16	70632112 70903625	1 6	PLATE, cover CAPSCREW, 1/4"NC x 3/4"
17	70622790	2	NUT, doweling capscREW (1/2"NC)



*PUMP ASSEMBLY 70638911 (tang-drive)
 **PUMP ASSEMBLY 70641625 (spline-drive) } See page 203

ITEM	PART NO.	QTY.		DESCRIPTION
		*	**	
1	70643449	1	1	PLATE ASSEMBLY, adapting (Includes item 3)
2	70643551	4	4	CAPSCREW, socket-hd., 5/16"NC x 3/4"
3	70643438	1	1	SEAL, oil
4	703039053	1	1	O-RING, adapting plate
5	70628161	2	2	RING, snap, drive shaft
6	704255031	1	1	BEARING, ball
7	70644354	1	-	SHAFT, drive (slotted end)
	70644913	-	1	SHAFT, drive (splined end)
8	70643496	1	1	BODY ASSEMBLY (Includes item 11)
	70921160	4	4	CAPSCREW, 5/16"NC x 2-1/4"
	70904205	4	4	LOCKWASHER, 5/16"
9	70054305	2	2	CAPSCREW, 1/4"NC x 2"
	70904204	2	2	LOCKWASHER, 1/4"
10	70643553	2	2	CAPSCREW, socket-hd., 5/16"NC x 1-1/2"
11	70208253	1	1	BEARING, needle, driven shaft (short)
12	70643544	4	4	PIN, dowel (hollow)
13	70643545	2	2	GEAR (splined)
14	70643534	2	2	PLATE, gear housing
15	70644898	1	1	SHAFT ASSEMBLY, driven (Includes gear. Serviced only as a unit)
16	70643492	1	1	PLATE ASSEMBLY, center (Includes items 17 and 18)
17	70643494	1	1	BEARING, needle, driven shaft (long)
18	70208253	2	2	BEARING, needle
19	70644897	1	1	SHAFT ASSEMBLY, idler (Includes gear. Serviced only as a unit)
20	704254654	2	2	BEARING, needle, pump cover
21	70643491	1	1	COVER ASSEMBLY (Includes item 20)
22	70051473	4	4	CAPSCREW, 5/16"NC x 1-3/4"
	70904205	4	4	LOCKWASHER, 5/16"
23	70054305	2	2	CAPSCREW, 1/4"NC x 2"
	70904204	2	2	LOCKWASHER, 1/4"
24	70643552	2	2	CAPSCREW, socket-hd., 5/16"NC x 1-3/4"
25	70645109	1	-	COUPLING, drive



STEERING PUMP PARTS

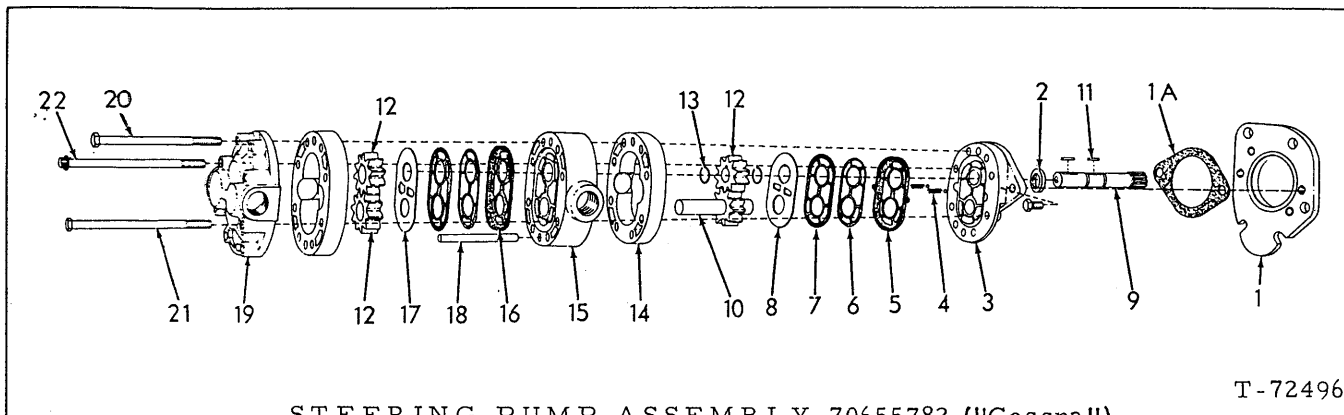
USAGE: Service replacement

ITEM	PART NO.	QTY.		DESCRIPTION	
		*	**		
-	70668509	1	-	PUMP ASSY. (Includes items 1 thru 25)(Order Pump Assy. 70676787)	
-	70676787	-	1	PUMP ASSY. (Includes items 3 thru 25)(Original equipment)	
-	70699888	-	1	PUMP ASSY. (Includes items 3 thru 25)(Service replacement)	
	70921204	-	1	PLUG, hex-hd., 1-1/16" straight thd. (Includes O-Ring)	} Use with service re- ment pump only
	70921206	-	1	O-RING	
1	70653932	1	1	PLATE, adapting	
	70922063	2	2	CAPSCREW, 12 pt. 7/16"NC x 1"	
	70914678	2	2	LOCKWASHER, 7/16"	
2	70674412	1	1	GASKET, front plate	
3	73119464	1	1	SEAL, oil	
4	71126490	1	1	PLATE ASSY., front (Includes Bushings)	
5	70650679	2	2	SPRING, check valve	
	70915903	2	2	BALL, steel, 7/32" diam.	
6	71178407	1	1	SEAL, front diaphragm	
7	71178408	2	2	GASKET, diaphragm (thin)	
8	70650675	2	2	GASKET, diaphragm (thick)	
9	73111871	1	1	DIAPHRAGM, sealing, front	
10	70653933	1	1	SHAFT, drive	
11	70673454	1	1	KEY, pump gear (short)	
11A	70691549	1	1	KEY, pump gear (long)	
12	70650189	3	-	GEAR, pump	
	70669351	-	3	GEAR, pump	
13	70653936	2	2	RING, snap, pump gear	
14	70653931	1	-	GEAR ASSY., idler (Includes shaft)	
	70669352	-	1	GEAR ASSY., idler (Includes shaft)	
15	70669345	1	1	BODY, front	
16	70933855	-	2	O-RING	
17	70653934	1	-	BODY, center (Includes Bushings)	
	70669350	-	1	BODY, center (Includes Bushings)	
18	70690291	1	1	SEAL, rear diaphragm	
19	73108945	1	1	DIAPHRAGM, sealing, rear	

(Continued)

STEERING PUMP PARTS (Continued)

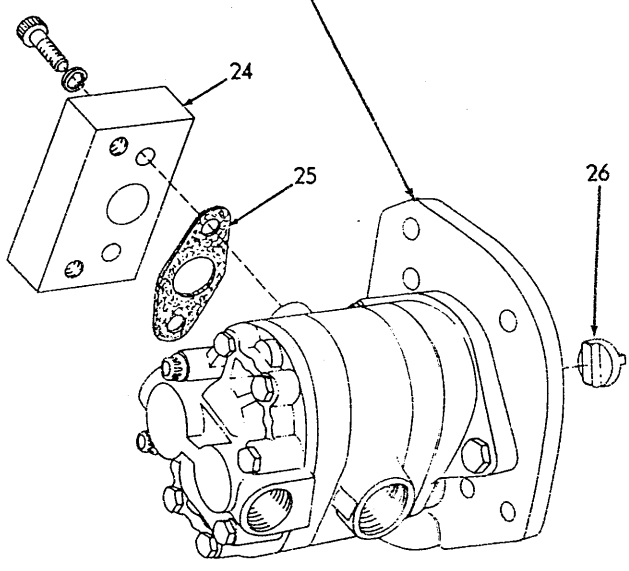
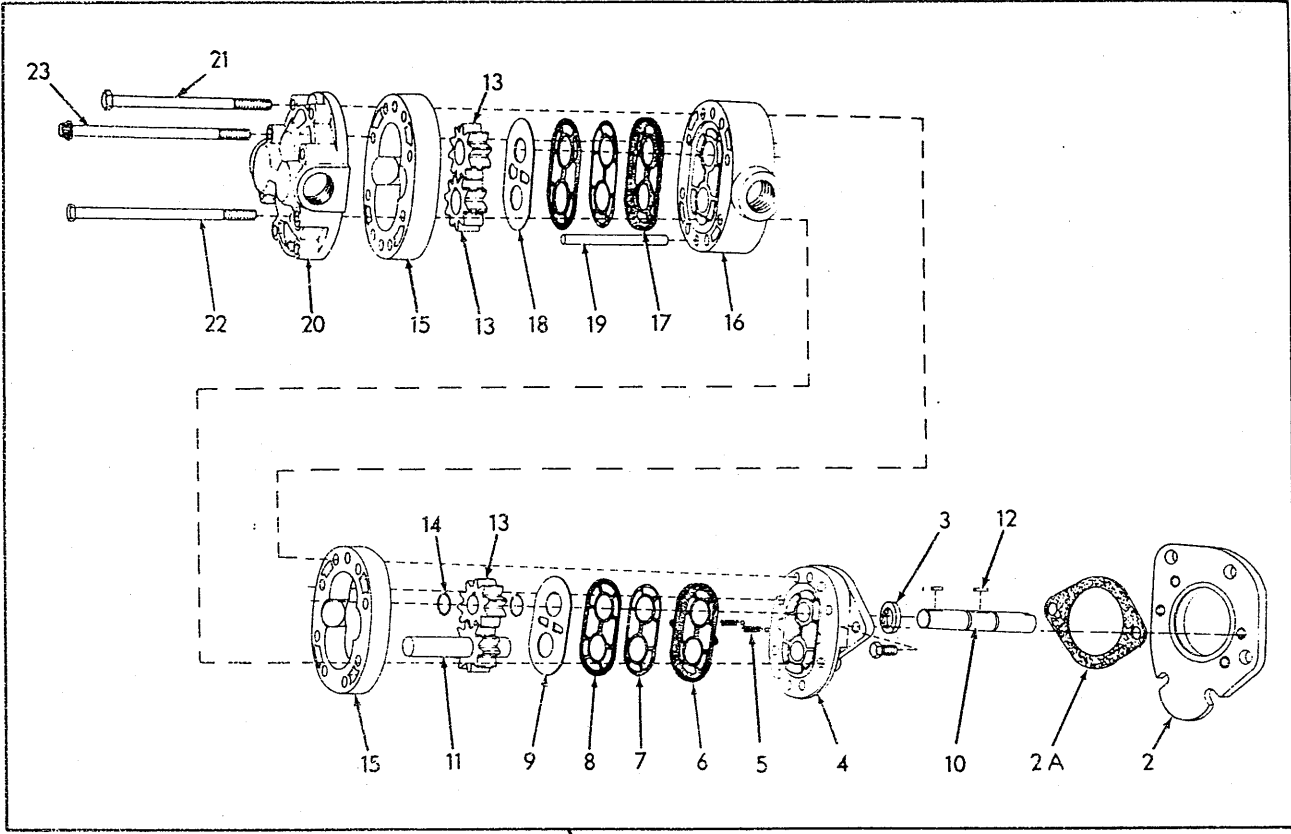
ITEM	PART NO.	QTY.	DESCRIPTION
		* **	
20	74905870	4 4	PIN, dowel
21	70681695	1 1	BODY, rear
22	70653930	1 -	PLATE, rear
	70669348	- 1	PLATE, rear (single-port)(Original Pump)
	70699889	- 1	PLATE, rear (dual-port)(Service replacement Pump)
23	70930288	4 4	CAPSCREW, 5/16"NC x 4-1/2"
24	70928309	2 2	CAPSCREW, 5/16"NC x 5"
25	70924227	2 2	SCREW, 12 pt-hd., 5/16"NC x 5"



STEERING PUMP ASSEMBLY 70655782 ("Cessna")

USAGE: See pages 206 and 208

ITEM	PART NO.	QTY.	DESCRIPTION
1	70653932	1	PLATE, adapting
	70916222	2	CAPSCREW, 7/16"NC x 7/8"
1A	70656179	1	GASKET, front plate
2	70650677	1	SEAL, oil
3	70653929	1	PLATE ASSY., front (Includes bushings)
4	70650679	2	SPRING, check valve
	70915903	2	BALL, steel, 7/32" diam.
5	70650673	1	SEAL, front diaphragm
6	70650676	2	GASKET, diaphragm (thin)
7	70650675	2	GASKET, diaphragm (thick)
8	70650674	1	DIAPHRAGM, sealing, front
9	70653933	1	SHAFT, drive
10	70653931	1	GEAR ASSY., idler (Includes shaft)
11	70650672	2	KEY, pump gear
12	70650189	3	GEAR, pump
13	70653936	2	RING, snap, pump gear
14	70650193	2	BODY, outer
15	70653934	1	BODY, center (Includes bushings)
15A	70926216	1	O-RING, center body (Late pumps)
16	70650678	1	Seal, rear diaphragm
17	70827650	1	DIAPHRAGM, sealing, rear
18	70653937	2	PIN, dowel
19	70653930	1	PLATE, rear
19A	70926216	1	O-RING, rear plate (Late pumps)
20	70919223	4	CAPSCREW, 5/16"NC x 4-1/2"
21	70924226	2	CAPSCREW, 5/16"NC x 5"
22	70924227	2	SCREW, 12 pt-hd., 5/16"NC x 5"



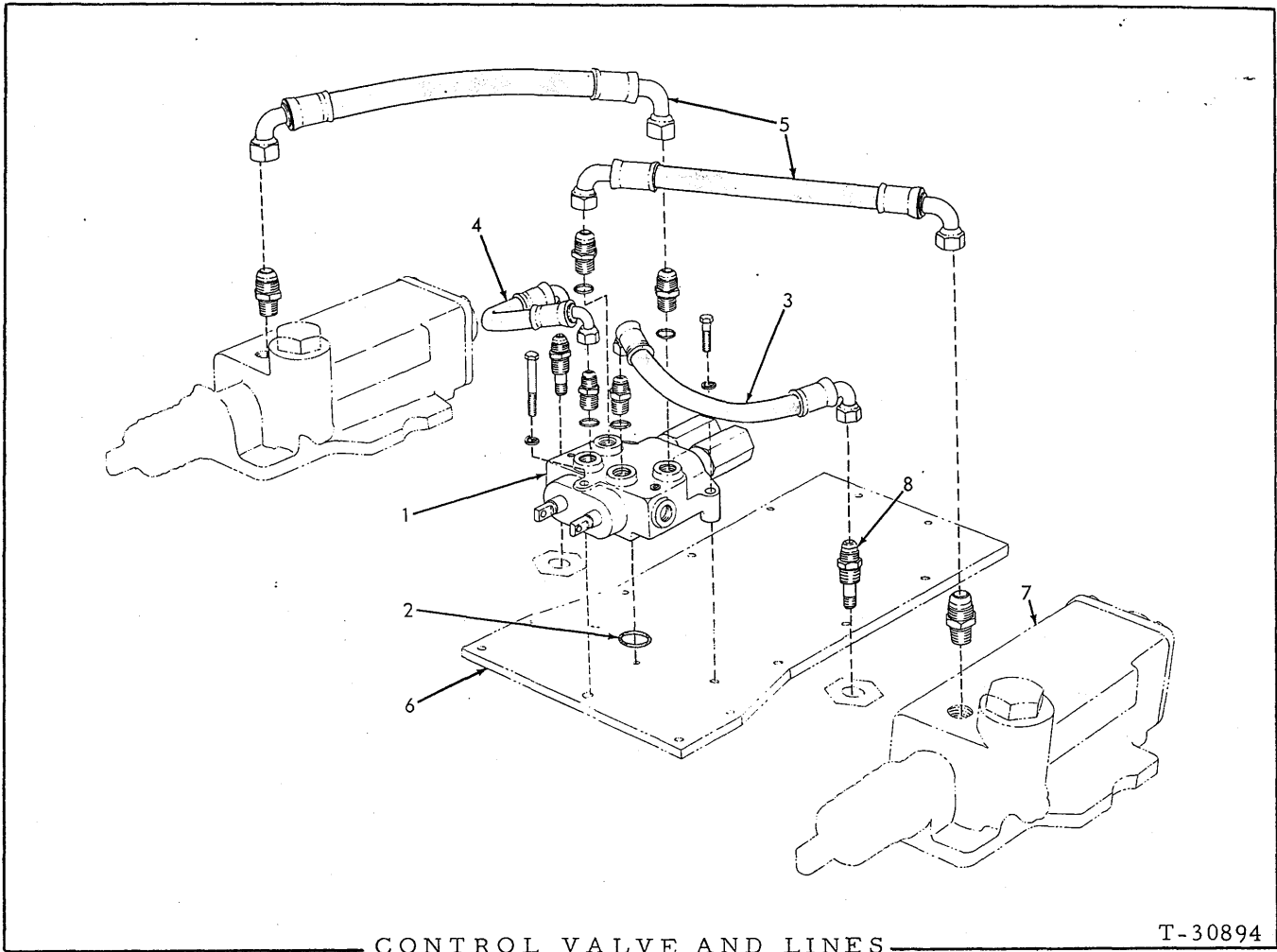
STEERING PUMP ASSEMBLY 70654180 ("Cessna")

T-72496

STEERING PUMP ASSEMBLY 70654180 ("Cessna")

USAGE: See page 203

ITEM	PART NO.	QTY.	DESCRIPTION
-	70654180	1	PUMP ASSEMBLY (Items 1 thru 26)
1	70654074	1	PUMP ASSEMBLY (Items 2 thru 23)
2	70653932	1	PLATE, adapting
	70916222	2	CAPSCREW, 7/16"NC x 7/8"
2A	70656179	1	GASKET, front plate
3	70650677	1	SEAL, oil
4	70653929	1	PLATE ASSEMBLY, front (Includes bushings)
5	70650679	2	SPRING, check valve
	70915903	2	BALL, steel, 7/32" diam.
6	70650673	1	SEAL, front diaphragm
7	70650676	2	GASKET, diaphragm (thin)
8	70650675	2	GASKET, diaphragm (thick)
9	70650674	1	DIAPHRAGM, sealing, front
10	70655564	1	SHAFT, drive
11	70669352	1	GEAR ASSEMBLY, idler (Includes shaft)
12	70650672	2	KEY, pump gear
13	70669351	3	GEAR, pump
14	70653936	2	RING, snap, pump gear
14A	70926216	2	O-RING, gear body
15	70669345	2	BODY, gear
16	70653934	1	BODY, center (Includes bushings)
17	70650678	1	SEAL, rear diaphragm
18	70827650	1	DIAPHRAGM, sealing, rear
19	70653937	2	PIN, dowel
20	70669348	1	PLATE, rear
21	70919223	4	CAPSCREW, 5/16"NC x 4-1/2"
22	70924226	2	CAPSCREW, 5/16"NC x 5"
23	70924227	2	SCREW, 12 pt.-hd., 5/16"NC x 5"
24	70654089	1	ADAPTER, inlet
	70912267	2	CAPSCREW, hex-socket-hd., 3/8"NC x 1"
	70904206	2	LOCKWASHER, 3/8"
25	70655999	1	GASKET, inlet adapter
26	70645109	1	COUPLING



CONTROL VALVE AND LINES

T-30894

* Tractors prior to serial No. 14274
 ** Tractors serial No. 14274 and up

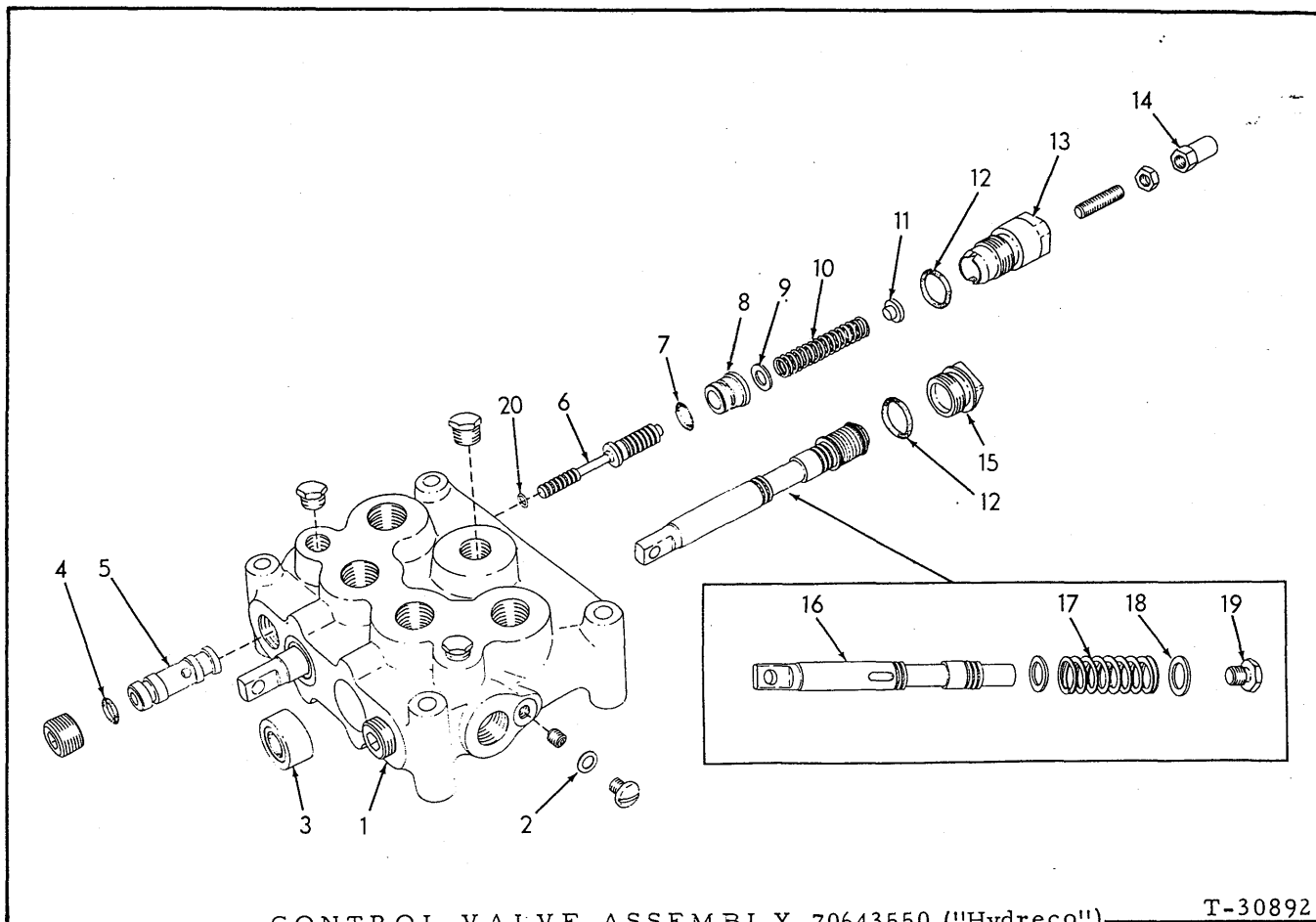
ITEM	PART NO.	QTY.		DESCRIPTION
		*	**	
1	643550	1	-	VALVE ASSEMBLY, control("Hydreco". See page 220 for parts)(Order VALVE ASSEMBLY 70651432, 1 CAPSCREW 70041911, 2 CAPSCREW 70035336, 2 CONNECTOR 70921409, 4 CONNECTOR 70922935 and print of S-4418)
	70917151	2	-	CAPSCREW, 3/8"NF x 3-1/4"
	70913633	2	-	CAPSCREW, 3/8"NF x 4"
	70910287	4	-	LOCKWASHER, 3/8"
	70651432	-	1	VALVE ASSEMBLY, control("Cessna". See pages 222, 222A and 222B for parts)(Order VALVE 70677645)
	70928406	-	1	CAPSCREW, 3/8"NF x 3-1/2"
	70915480	-	2	CAPSCREW, 3/8"NF x 1-3/4"
70910287	-	3	LOCKWASHER, 3/8"	
2	70923575	1	-	O-RING, valve to compartment cover
	70923947	-	1	O-RING, valve to compartment cover
3	70644604	1	1	HOSE, clutch control, left (See HOSE PARTS)
	70919128	1	-	CONNECTOR, flare type, 1/2" tube, 1/2"NPT male
	70921409	-	1	CONNECTOR, flare type, 1/2" tube, 3/4"NF male end (Includes O-RING 70921349)

(Continued)

(Revised August 1979)

CONTROL VALVE AND LINES (Continued)

ITEM	PART NO.	QTY.		DESCRIPTION
		*	**	
4	70644603	1	1	HOSE, clutch control, right (See HOSE PARTS)
	70919128	1	-	CONNECTOR, flare type, 1/2" tube, 1/2"NPT male
	70921409	-	1	CONNECTOR, flare type, 1/2" tube, 3/4"NF male end (Includes O-RING 70921349)
5	70644608	2	2	HOSE, brake control (See HOSE PARTS)
	70919615	4	2	CONNECTOR, flare type, 3/4" tube, 1/2"NPT male
	70922935	-	2	CONNECTOR, flare type, 3/4" tube, 3/4"NF male end (Includes O-RING 70921349)
6	-----	-	-	COVER, bevel gear compartment (See MAIN HOUSING)
7	-----	-	-	VALVE ASSEMBLY (See BRAKES)
8	70669565	2	2	UNION, bulkhead



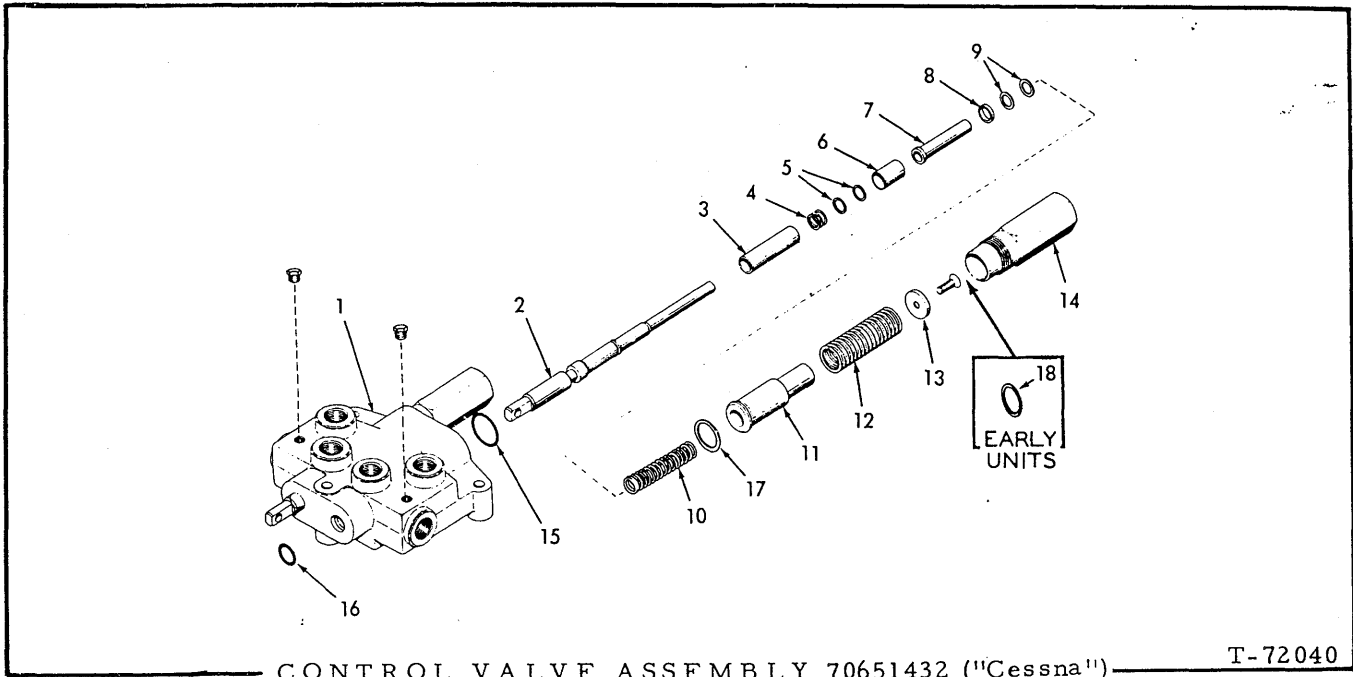
USAGE: See page 218

ITEM	PART NO.	QTY.	DESCRIPTION
1	-----	1	HOUSING (Not serviced separately)
	70 919840	2	PLUG, pipe, hex-hd., 1/4"NPT
	70 920333	1	PLUG, pipe, hex-hd., 3/8"NPT
	70 908944	2	PLUG, pipe, hex-socket, 1/2"NPT
	70 900585	2	SCREW, machine, 5/16"NC x 5/8"
2	7 3001737	2	GASKET, plugging screw
3	70 623420	2	SEAL, oil, operating plunger
4	70 923548	2	O-RING, relief valve front seat
5	73014007	2	SEAT, relief valve, front
	70 905564	2	SETSCREW, hex-socket, cup-pt., 5/16"NC x 5/8"
6	70 623431	2	PLUNGER, relief valve
7	70 923376	2	O-RING, relief valve rear seat
8	70 623430	2	SEAT, relief valve, rear
9	70 631935	2	WASHER, relief valve plunger
10	70 630528	2	SPRING, relief valve

(Continued)

CONTROL VALVE ASSEMBLY 70643550 ("Hydreco")(Continued)

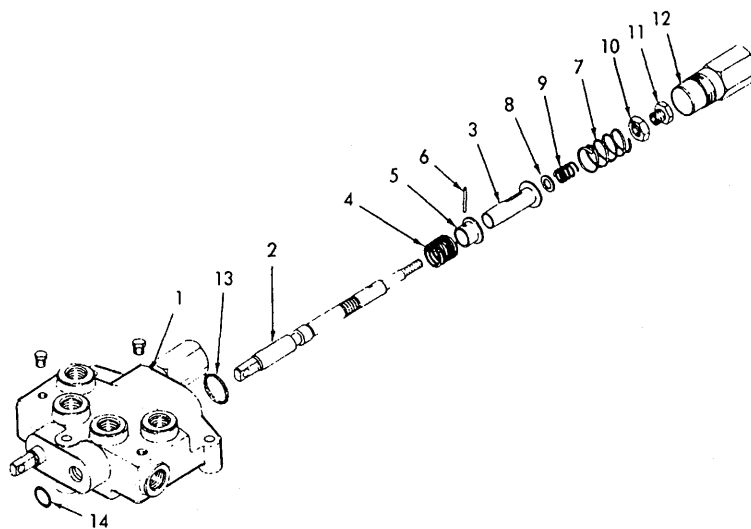
ITEM	PART NO.	QTY.	DESCRIPTION
11	70 623427	2	GUIDE, relief valve spring
12	70923574	4	O-RING, rear caps
13	70 623428	2	CAP, relief valve adjustment
	70 921303	2	SETSCREW, oval-pt., 3/8"NF x 1-1/2"
	70 911048	2	NUT, jam, 3/8"NF
14	73002757	2	NUT, acorn, relief valve
15	70 623429	2	CAP, operating plunger
16	-----	2	PLUNGER, operating (Not serviced separately)
17	70 627378	2	SPRING, operating plunger
18	70 627377	4	WASHER, operating plunger
19	70 627380	2	CAP, operating plunger
20	70 655743	2	O-RING, relief valve plunger



USAGE: See page 218

ITEM	PART NO.	QTY.	DESCRIPTION
1	----- 70 919134	1 2	BODY (Not serviced separately) PLUG, pipe, hex-hd., 1/8"NPT
2	-----	2	PLUNGER (Not serviced separately)
3	70 651564	2	PISTON, pressure regulating
4	70 651569	2	SPRING, pressure regulating (short)
	70 651576	-	SHIM, pressure adjustment (.015" thick)
5	70 651577	-	SHIM, pressure adjustment (.005" thick)
6	70 651571	2	SLEEVE, valve plunger (outer)
7	70 651572	2	SLEEVE, valve plunger (inner)
8	70 651573	2	WASHER, valve plunger
	70 651574	-	SHIM, pressure adjustment (.015" thick)
9	70 651575	-	SHIM, pressure adjustment (.005" thick)
10	70661676	2	SPRING, pressure regulating (long)
11	70651565	2	SLEEVE, plunger return spring
12	70651570	2	SPRING, plunger return
13	70651567	2	WASHER, end, valve plunger
	70924989	2	SCREW, machine, flat-hd., 1/4"NF x 7/8"
14	70651566	2	CAP, valve plunger
15	70924416	2	O-RING, valve body (large)
16	70923645	2	O-RING, valve body (small)
17	70663123	2	SHIM, plunger clearance (Late units)
18	70663124	2	SHIM, plunger clearance (Early units)

} Use as req'd

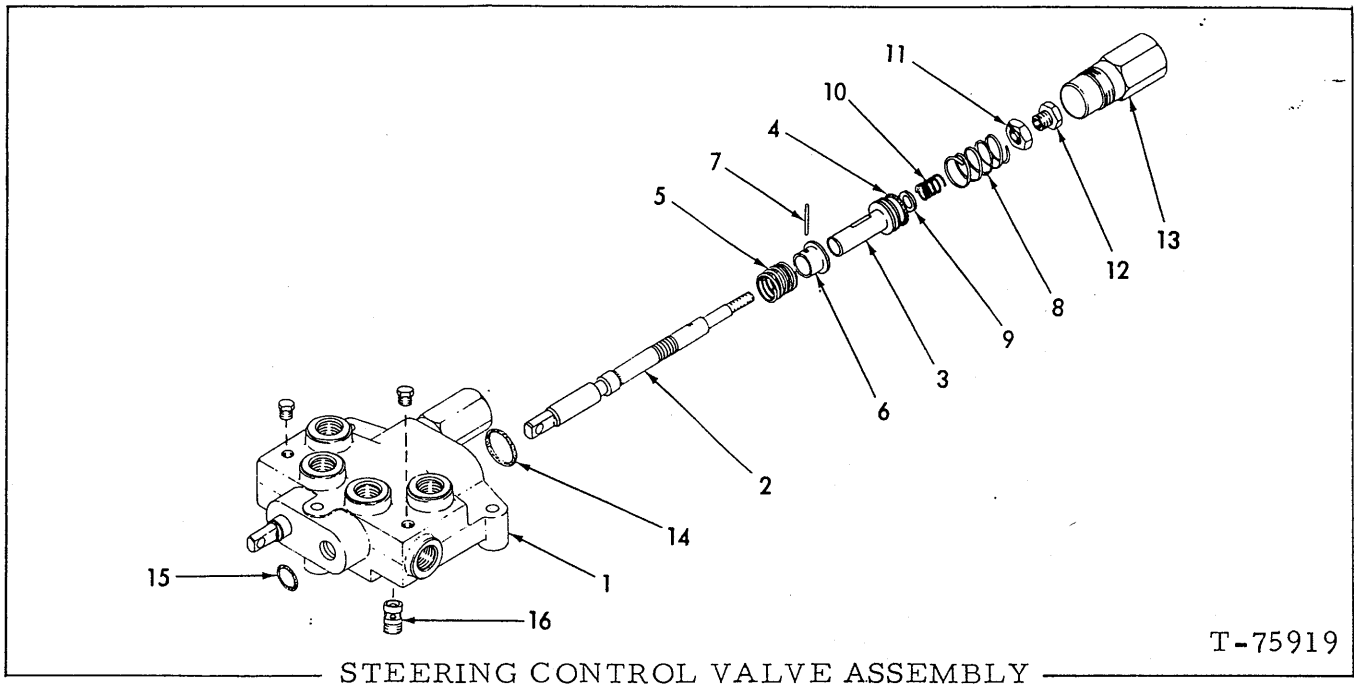


T-75919

STEERING CONTROL VALVE ASSEMBLY 70677645

USAGE: Service replacement

ITEM	PART NO.	QTY.	DESCRIPTION
1	-----	1	BODY (Not serviced separately)
	70919134	2	PLUG, pipe, hex-hd., 1/8"NPT
2	-----	2	PLUNGER (Not serviced separately)
3	70677636	2	SLEEVE
4	70677643	2	SPRING
5	70677637	2	BUSHING
6	70916168	2	PIN, spring, 1/8" x 3/4"
7	70684654	2	SPRING
8	70677641	2	WASHER
9	70677642	2	SPRING
10	70677639	2	NUT
11	70677638	2	RETAINER
12	70677634	2	CAP
13	70924416	2	O-RING (large)
14	70923645	2	O-RING (small)



STEERING CONTROL VALVE ASSEMBLY

USAGE: Service replacement

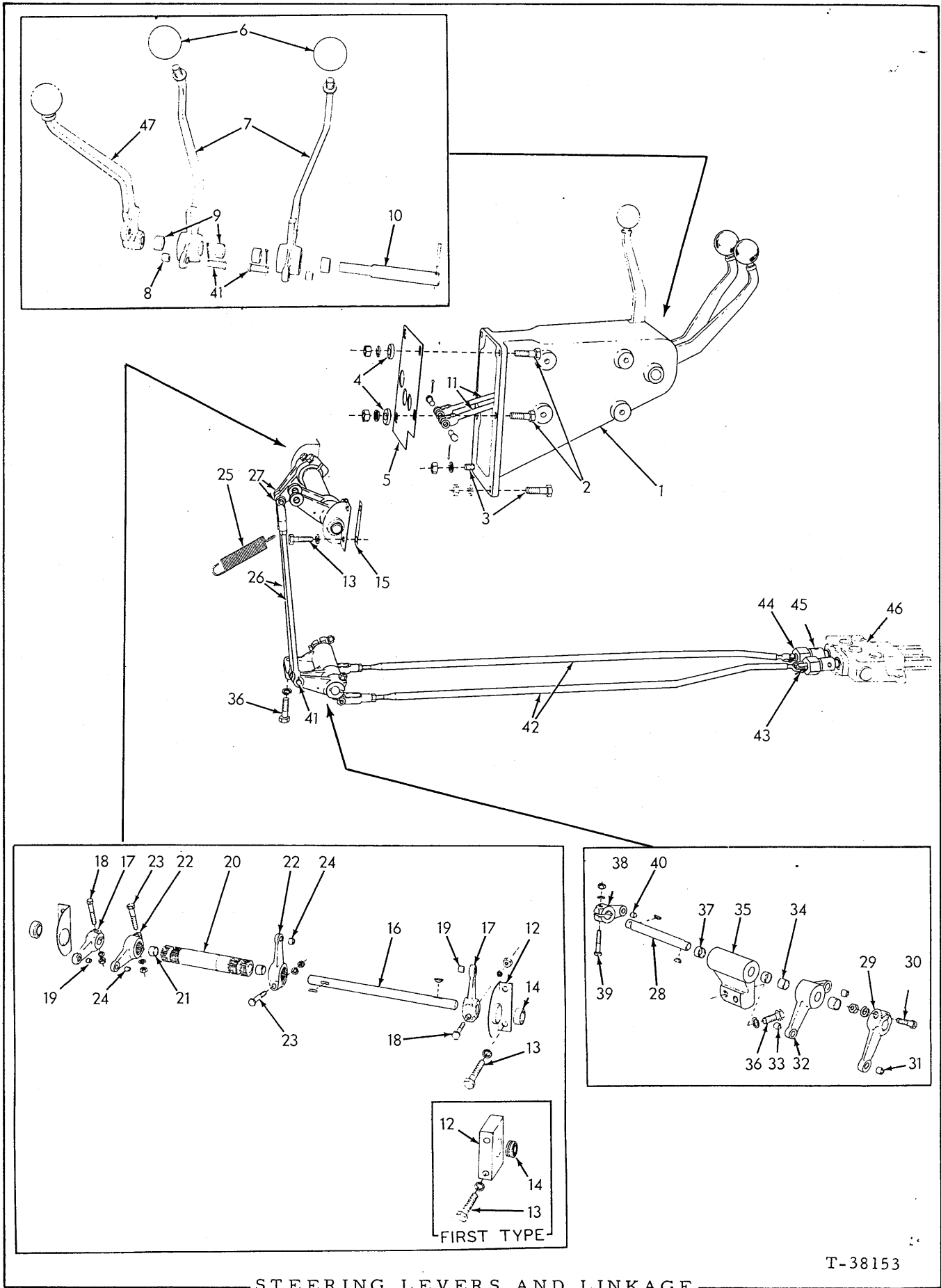
ITEM	PART NO.	QTY.	DESCRIPTION
-	73107592	1	VALVE ASSY. (Includes items 1 thru 16)
1	-----	1	BODY (Not serviced separately)
	70919134	2	PLUG, pipe, hex-hd., 1/8"NPT
2	-----	2	PLUNGER (Not serviced separately)
3	73108259	2	SLEEVE
4	70923562	2	O-RING
5	70677643	2	SPRING
6	70677637	2	BUSHING
7	70916168	2	PIN, spring, 1/8" x 3/4"
8	73108258	2	SPRING
9	70677641	2	WASHER
10	70677642	2	SPRING
11	70677639	2	NUT
12	70677638	2	RETAINER
13	70677634	2	CAP
14	70924416	2	O-RING
15	73108260	2	O-RING
16	70695996	1	CHECK ASSY., left (Serviced only as a unit)

STEERING LEVERS AND LINKAGE

ITEM	PART NO.	QTY.	DESCRIPTION
1	70629262	1	BRACKET, steering lever (Used prior to tractor #14274)
	70651431	1	BRACKET, steering lever (Effective with tractor #14274)
2	70922726	4	CAPSCREW, 1/2"NF x 1-1/2"
3	70070469	2	CAPSCREW, 1/2"NF x 1-1/4"
4	70064531	4	WASHER, plain
	70912441	6	LOCKWASHER, 1/2"
	70911043	6	NUT, 1/2"NF
5	70631421	1	PLATE, air baffle (For units with special suction-type or reversible cooling fans)
6	70090020	2	KNOB, steering lever
7	70630847	1	LEVER ASSEMBLY, steering, left (Includes items 8 and 9)
	70630848	1	LEVER ASSEMBLY, steering, right (Includes items 8 and 9)
8	70624584	2	BUSHING, steering lever (small)
9	70630795	4	BUSHING, steering lever (large)
10	70629716	1	SHAFT, steering levers
	70915989	1	PIN, spring, 3/16" x 1-3/8"
11	70631987	2	ROD, control, upper
12	70630849	2	BLOCK ASSEMBLY, pillow, upper cross shaft (Includes item 14)(Used prior to tractor #13264)
	70646390	2	BLOCK ASSEMBLY, pillow, upper cross shaft (Tractors #13264 thru #14604)
	70654656	2	BEARING ASSEMBLY, upper cross shaft (Includes bushing)(Tractor #14605 and up)
13	70036034	4	CAPSCREW, 3/8"NF x 1" (Tractors prior to #13264)
	70045174	4	CAPSCREW, 3/8"NF x 2-1/2"(Tractors #13264 thru #14604)
	70036032	4	CAPSCREW, 3/8"NF x 3/4"(Tractors #14605 and up)
	70910287	4	LOCKWASHER, 3/8"
14	70628157	2	BUSHING, pillow block (plain, 7/8" O. D.)(Used prior to tractor #13264)
	70643257	2	BUSHING, pillow block (self-aligning, 1-1/4" O. D.)(Used on tractors #13264 thru #14604)
15	70061554	4	SHIM, aligning, upper cross shaft (Use as required)(Used prior to tractor #13264)
16	70629717	1	SHAFT, cross, upper
	70905123	2	KEY, #9 woodruff, 3/16" x 3/4"
17	70630837	2	LEVER ASSEMBLY, upper cross shaft (Includes item 19)
18	70046419	2	CAPSCREW, 3/8"NF x 2"
	70910287	2	LOCKWASHER, 3/8"
	70911041	2	NUT, 3/8"NF
19	70624584	2	BUSHING, upper cross shaft lever
20	70648956	1	TUBE ASSEMBLY, torque, upper cross shaft Includes item 21)
21	70630795	2	BUSHING, torque tube
22	70630841	2	LEVER ASSEMBLY, torque tube (Includes item 24)
23	70927358	2	CAPSCREW, 3/8"NF x 2-1/4"
	70910287	2	LOCKWASHER, 3/8"
	70911041	2	NUT, 3/8"NF

(Continued)

(Revised August 1979)



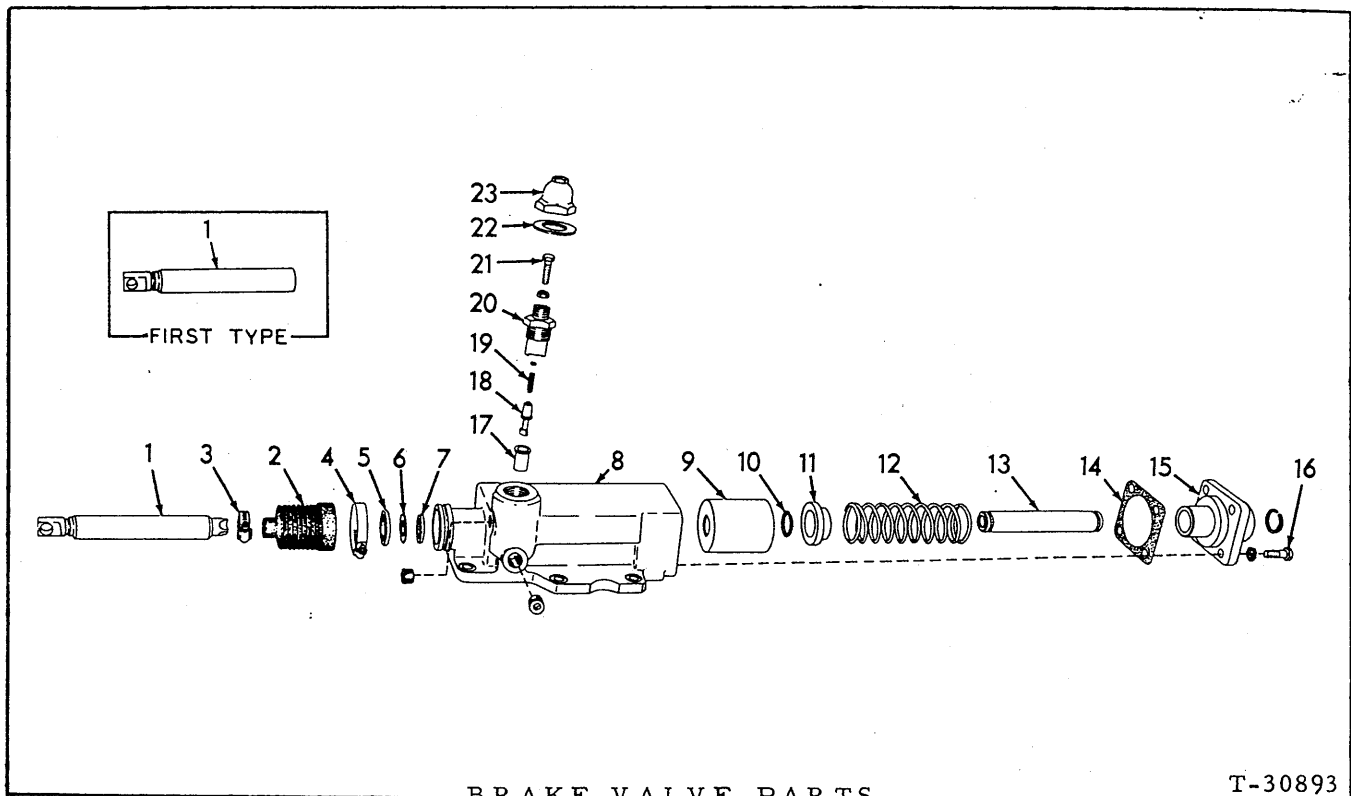
STEERING LEVERS AND LINKAGE

T-38153

STEERING LEVERS AND LINKAGE (Continued)

ITEM	PART NO.	QTY.	DESCRIPTION
24	70 624584	2	BUSHING, torque tube lever
25	70 043881	2	SPRING, cross shaft lever
26	70 630821	2	ROD, control, vertical
	70 911041	2	NUT, 3/8"NF
27	70 628736	4	YOKE, control rod
28	70 629454	1	SHAFT, cross, lower
	70 905123	2	KEY, #9 woodruff, 3/16" x 3/4"
29	70 630837	1	LEVER ASSEMBLY, lower cross shaft, left (Includes item 31)
30	70 046419	1	CAPSCREW, 3/8"NF x 2"
	70 910287	1	LOCKWASHER, 3/8"
	70 911041	1	NUT, 3/8"NF
31	70 624584	1	BUSHING, lower cross shaft lever
32	70 630852	1	BELLCRANK ASSEMBLY, lower cross shaft (Includes item 33 and 34)
33	70 624584	2	BUSHING, lower cross shaft bellcrank (small)
34	70 630795	2	BUSHING, lower cross shaft bellcrank (large)
35	70 630850	1	BRACKET ASSEMBLY, lower cross shaft (Includes item 37)
36	70 035018	2	CAPSCREW, 1/2"NF x 1-1/2"
	70 912441	2	LOCKWASHER, 1/2"
37	70 630795	2	BUSHING, lower cross shaft bracket
38	70 630836	1	LEVER ASSEMBLY, lower cross shaft, right (Includes item 40)
39	70 046419	1	CAPSCREW, 3/8"NF x 2"
	70 910287	1	LOCKWASHER, 3/8"
	70 911041	1	NUT, 3/8"NF
40	70 624584	1	BUSHING, lower cross shaft lever
41	70 078810	10	PIN, control linkage yokes
	70 900801	10	PIN, cotter, 3/32" x 3/4"
42	70 630763	1	ROD, control, lower left
	70 630764	1	ROD, control, lower right
	70 911041	2	NUT, 3/8"NF
43	70 627451	2	PIN, lower control rod
	70 900801	2	PIN, cotter, 3/32" x 3/4"
44	70 656151	2	OVER-TRAVEL ASSEMBLY (Serviced only as a unit)
45	70 630833	2	PIN, retaining, over-travel
	70 900801	2	PIN, cotter, 3/32" x 3/4"
46	-----	1	VALVE, control (See CONTROL VALVE AND LINES)
47	-----	1	LEVER, throttle (See THROTTLE CONTROL)

(Revised August 1979)



BRAKE VALVE PARTS

T-30893

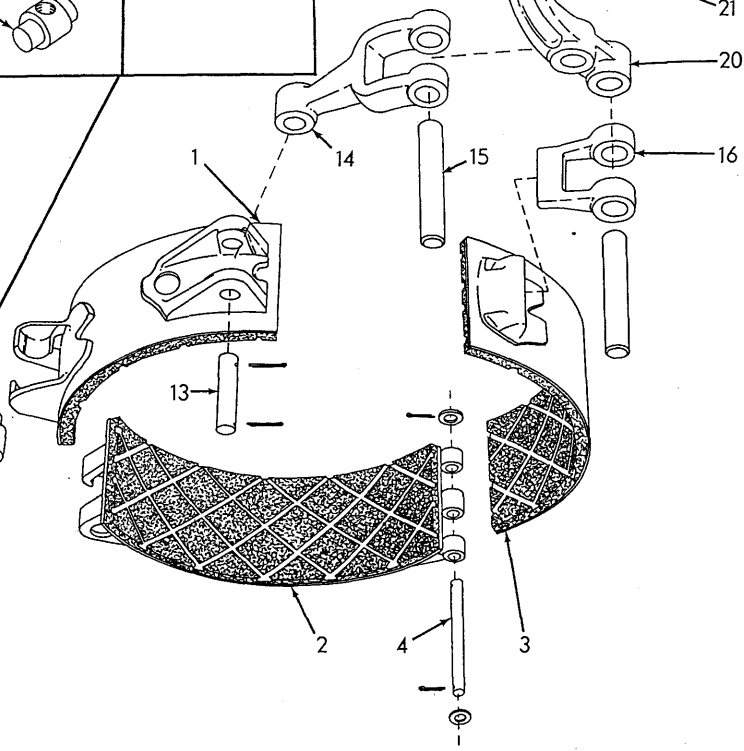
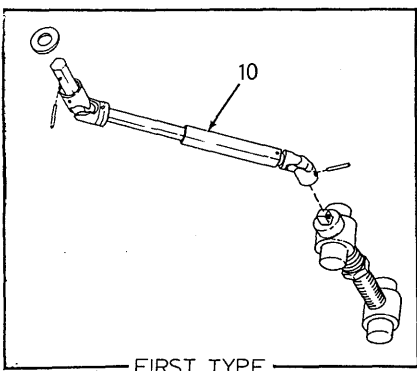
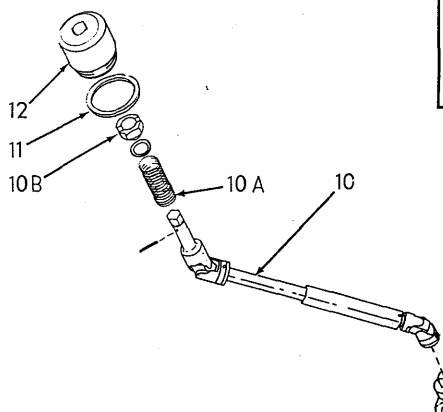
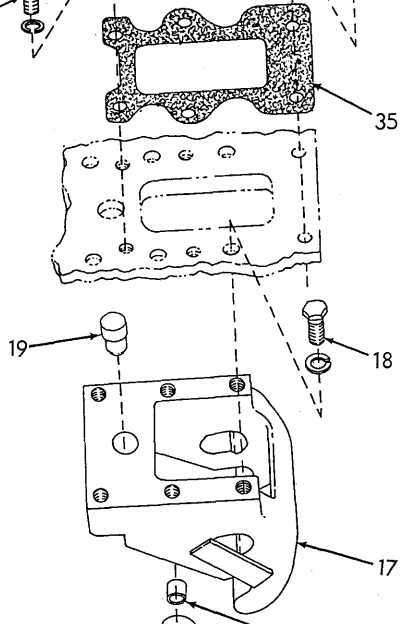
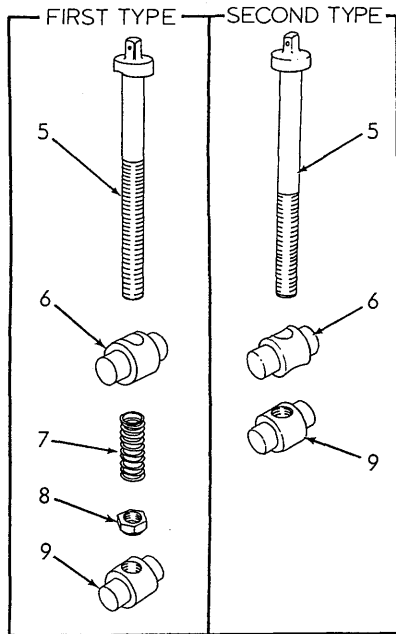
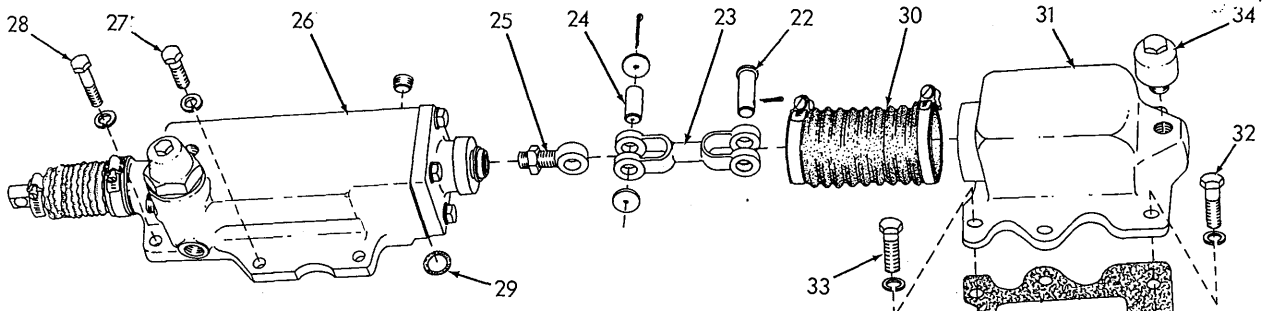
*70638600 VALVE ASSEMBLY
 **70644136 VALVE ASSEMBLY
 ***73113164 VALVE ASSEMBLY } See page 229

ITEM	PART NO.	QUANTITY			DESCRIPTION
		*	**	***	
<u>NOTE:</u> All quantities are for one (1) Valve Assembly only					
1	70 623194	1	1	-	SPOOL, valve
	70 651451	-	-	1	SPOOL, valve
2	70 623195	1	1	1	BOOT, valve spool
3	70 921912	1	1	1	CLAMP, hose, 1-1/16" to 2" diam.
4	70 921913	1	1	1	CLAMP, hose, 1-13/16" to 2-3/4" diam.
5	70 623197	1	1	1	SEAL, outer
6	70 623489	1	1	1	WASHER, back-up, inner seal (vellumoid)
7	70 623198	1	1	1	SEAL, inner
8	70 623202	1	1	1	HOUSING
	70 908944	2	2	2	PLUG, pipe, hex-socket-hd., 1/2"NPT
9	70 623201	1	1	-	PISTON ASSEMBLY (Includes fulcrum pin)
	70 651464	-	-	1	PISTON ASSEMBLY (Includes fulcrum pin)
10	70 623206	2	2	2	RING, snap, actuating rod
11	70 623203	1	1	1	RETAINER, actuating rod spring
12	70 623204	1	1	1	SPRING, actuating rod

(Continued)

BRAKE VALVE PARTS (Continued)

ITEM	PART NO.	QUANTITY			DESCRIPTION
		*	**	***	
13	70623207	1	1	1	ROD, actuating
14	70623196	1	1	1	GASKET, actuating rod retainer
15	70623205	1	1	1	RETAINER, actuating rod
16	70614478	4	4	4	CAPSCREW, 1/2"NF x 1-3/8"
	70904208	4	4	4	LOCKWASHER, 1/2"
17	70623211	1	1	1	SEAT, relief valve
18	70628019	1	1	1	VALVE, relief
19	70623210	1	-	1	SPRING, relief valve
	70068911	-	1	-	SPRING, relief valve
	70911982	1	1	1	WASHER, plain
20	70638563	1	1	1	CAP, relief valve spring
21	70638561	1	1	1	CAPSCREW, pressure adjustment
	70911048	1	1	1	NUT, jam, 3/8"NF
22	70641148	1	1	1	GASKET, cap
23	70638562	1	1	1	CAP, pressure adjustment screw



BRAKES

T-70596

B R A K E S

ITEM	PART NO.	QTY.	DESCRIPTION	
1	70 637993	2	BAND ASSEMBLY, top section (Includes bonded lining)	} Refer to item 36
2	70 638002	2	BAND ASSEMBLY, bottom section (Includes bonded lining)	
3	70 637997	2	BAND ASSEMBLY, rear section (Includes bonded lining)	
4	70 623130	2	PIN, band hinge	
	70 912900	4	WASHER, plain	
	70 900806	4	PIN, cotter, 1/8" x 1"	
5	70 623168	2	SCREW, band adjusting (Tractors prior to #14142)	
	70 650276	2	SCREW, band adjusting (Tractors #14142 and up)	
6	70 623181	2	PIN, adjusting screw, upper band (Tractors prior to #14142)	
	70 650275	2	PIN, adjusting screw, upper band (Tractors #14142 and up)	
7	70 623180	2	SPRING, band adjusting screw	} Tractors prior to #14142
8	70 623179	2	NUT, band adjusting screw	
9	70 623153	2	PIN, adjusting screw, bottom band	
10	70 623560	2	DRIVE ASSEMBLY, universal, band adjustment (Serviced only as a unit)(Tractors prior to #14142)	
	70 921330	2	PIN, spring, 7/32" x 1-1/8" (lower)	
	70 920335	2	PIN, spring, 5/32" x 1-1/8" (upper)	
	70 910883	2	WASHER, plain, 29/32" x 1-1/2" x .109	
	70 650273	2	DRIVE ASSEMBLY, universal, band adjustment (Serviced only as a unit)(Tractors #14142 and up)	
	70 921330	2	PIN, spring, 7/32" x 1-1/8" (lower)	
	70 921469	2	PIN, spring, 7/32" x 1" (upper)	
10A	70 624193	2	SPRING, band adjustment	} Tractors #14142 and up
10B	70 650274	2	SLEEVE, band adjustment	
11	70 623144	2	GASKET, brake adjustment hole plug	
12	70 653773	2	PLUG, brake adjustment hole	
13	70 623132	2	PIN, top band	
	70 900808	4	PIN, cotter, 1/8" x 1-1/2"	
14	70 623133	2	YOKE, brake band, upper	
15	70 623131	4	PIN, band yoke	
16	70 623158	2	YOKE, brake band, lower	
17	70 623182	2	BRACKET ASSEMBLY, band lever (Includes item 19)	
18	70 023465	12	CAPSCREW, 5/8"NF x 1-3/4"	
	70 904209	12	LOCKWASHER, 5/8"	
19	70 643740	2	PIN, band lever bracket	
20	70 623165	2	LEVER ASSEMBLY, band operating (Includes item 21)	
21	70 623164	2	BUSHING, band operating lever	

(Continued)

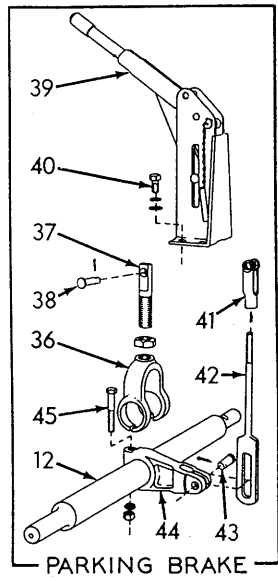
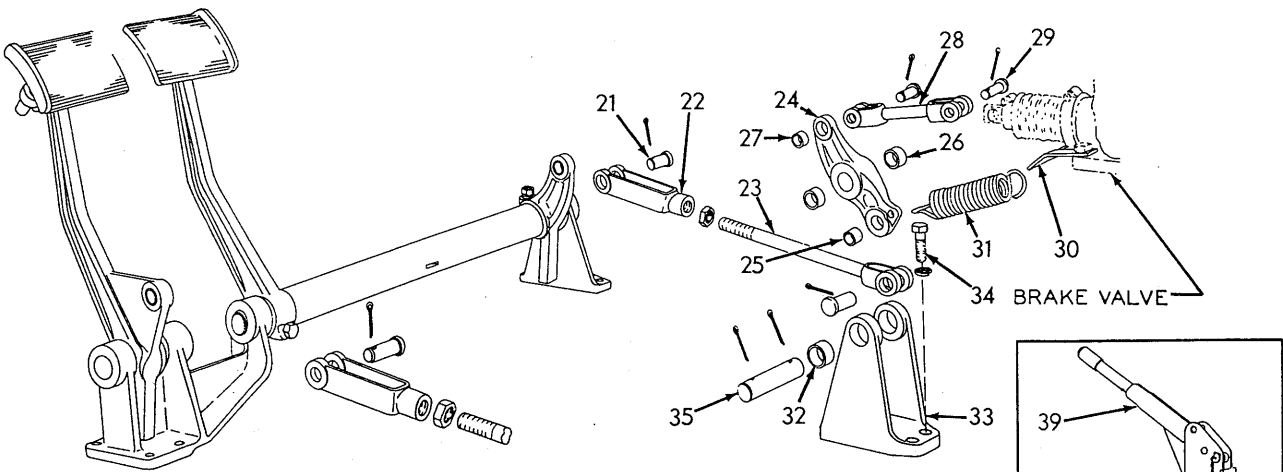
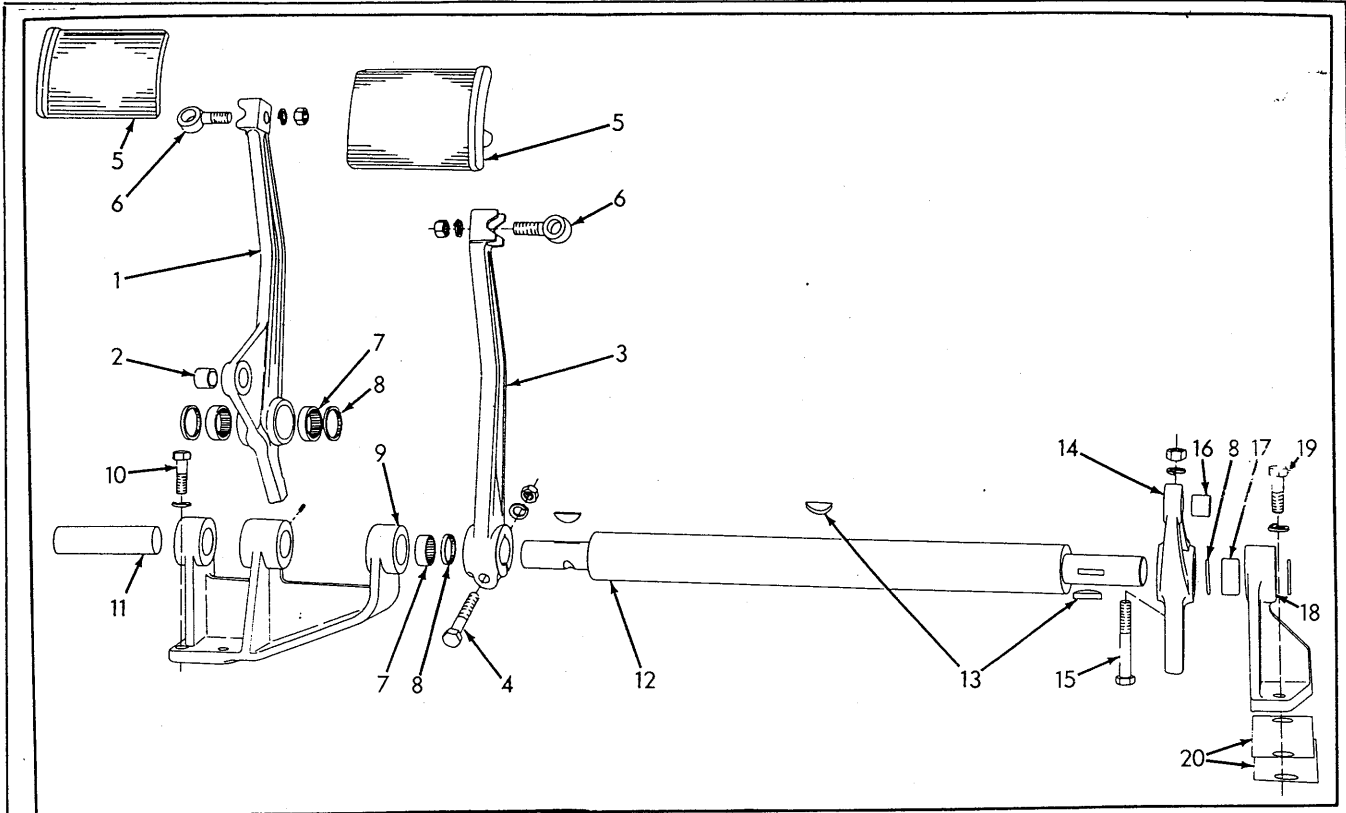
(Revised August 1979)

BRAKES (Continued)

ITEM	PART NO.	QTY.	DESCRIPTION
22	70623139	2	PIN, connecting rod, rear
	70910302	2	PIN, cotter, 5/32" x 1-1/4"
23	70623140	2	ROD, connecting
24	70637729	2	PIN, connecting rod, front
	70904003	2	PIN, cotter, 1/8" x 2-1/4"
	70637730	4	WASHER, plain
25	70638818	2	EYE, connecting
	70910847	2	NUT, jam, 3/4"NF
26	70638600	2	VALVE ASSEMBLY, operating (Tractors prior to #13931)
	70644136	2	VALVE ASSEMBLY, operating (Tractors #13931 thru 14273)
	73113164	2	VALVE ASSEMBLY, operating (Tractors #14274 and up)
27	70908944	2	PLUG, pipe, hex-socket, 1/2"NPT
	70035073	8	CAPSCREW, 1/2"NF x 1-3/4"
28	70035892	4	CAPSCREW, 1/2"NF x 2-1/2"
	70904208	12	LOCKWASHER, 1/2"
29	70923575	2	O-RING, valve discharge port
30	70623138	2	BOOT, connecting
	70921914	4	CLAMP, hose, 2-5/16" x 3-1/4" diam.
31	70623137	2	COVER, band linkage
32	70035067	4	CAPSCREW, 1/2"NF x 2"
33	70070467	8	CAPSCREW, 1/2"NF x 1"
	70904208	12	LOCKWASHER, 1/2"
34	70622207	2	BREATHING, clutch compartment
35	70623136	2	GASKET, band linkage cover
36	73117505	2	LINING KIT (Each includes linings and instruction sheet sufficient to service one side only)

See page 226 for parts

MEMO



BRAKE CONTROL

T-38156

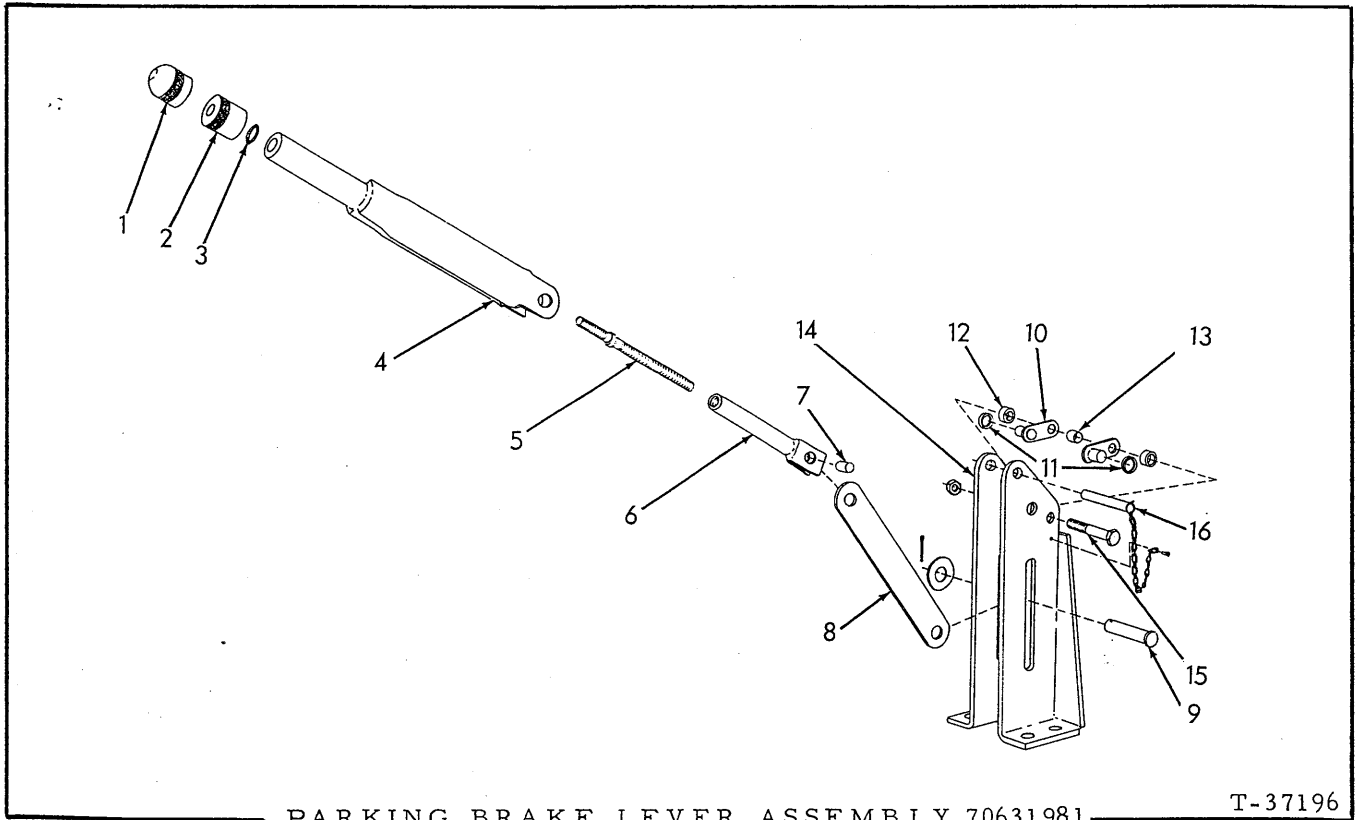
BRAKE CONTROL

ITEM	PART NO.	QTY.	DESCRIPTION
1	70628874	1	LEVER ASSEMBLY, pedal, left (Includes item 2)
2	70623164	1	BUSHING, left pedal lever
3	70629250	1	LEVER, pedal, right
4	70035278	1	CAPSCREW, 1/2"NF x 2-3/4"
	70904208	1	LOCKWASHER, 1/2"
	70911043	1	NUT, 1/2"NF
5	70623151	2	PAD, pedal lever
6	70050433	2	BOLT, eye, pedal lever pad
	70904209	2	LOCKWASHER, 5/8"
	70911044	2	NUT, 5/8"NF
7	70053244	3	BEARING, needle, pedal shafts (1/2" wide)
8	70053243	6	SEAL, dust, pedal shafts
9	70629254	1	BRACKET, pedal shaft, left
10	70035018	4	CAPSCREW, 1/2"NF x 1-1/2"
	70904208	4	LOCKWASHER, 1/2"
11	70052656	1	SHAFT, left pedal
	70903093	1	SETSCREW, slotted-hd., cup-pt., 3/8"NC x 5/8"
12	70629255	1	SHAFT, right pedal
13	70631883	3	KEY, right pedal shaft (1/4" x 1-1/4")
14	70629510	1	LEVER ASSEMBLY, right pedal shaft (Includes item 16)
15	70042430	1	CAPSCREW, 1/2"NF x 3-1/4"
	70904208	1	LOCKWASHER, 1/2"
	70911043	1	NUT, 1/2"NF
16	70623164	1	BUSHING, right pedal shaft lever
17	70052642	1	BEARING, needle, right pedal shaft (3/4" wide)
18	70629253	1	BRACKET, pedal shaft, right
19	70035018	2	CAPSCREW, 1/2"NF x 1-1/2"
	70904208	2	LOCKWASHER, 1/2"
20	70629515	2	SHIM, right pedal shaft bracket (.032" thick. Use as required)
21	70623139	4	PIN, yoke, front rod
	70910302	4	PIN, cotter, 5/32" x 1-1/4"
22	70628535	2	YOKE, front rod
23	70628536	2	ROD, front
	70910847	2	NUT, jam, 3/4"NF
24	70643024	2	LEVER ASSEMBLY, rocker (Includes items 25, 26 and 27)
25	70623164	2	BUSHING, rocker lever, lower
26	70631882	4	BUSHING, rocker lever, center
27	70052669	2	BUSHING, rocker lever, upper

(Continued)

BRAKE CONTROL (Continued)

ITEM	PART NO.	QTY.	DESCRIPTION
28	70623146	2	ROD, rear
29	70 052671	4	PIN, yoke, rear rod
	70 900806	4	PIN, cotter, 1/8" x 1"
30	70 623145	2	CLIP, retracting spring(3-3/8" long)(Tractors prior to #13931;also tractors #14599 thru #14646)
	70 647907	2	CLIP, retracting spring(5-1/4" long)(Tractors #13931 thru #14598; also tractors #14647 and up)
31	70 658737	2	SPRING, retracting
32	70 631882	4	BUSHING, rocker lever bracket
33	70 629252	2	BRACKET ASSEMBLY, rocker lever (Includes item 32)
34	70 035018	6	CAPSCREW, 1/2"NF x 1-1/2"
	70 904208	6	LOCKWASHER, 1/2"
35	70 639459	2	PIN, rocker lever bracket
	70 910320	4	PIN, cotter, 5/32" x 1-1/2"
36	70 631881	1	YOKE, shaft bracing
37	70 638338	1	EYE, shaft bracing yoke
	70 911051	1	NUT, jam, 1"NF
38	70 052671	1	PIN, bracing yoke eye
	70 900806	1	PIN, cotter, 1/8" x 1"
39	70 631981	1	LEVER ASSEMBLY, operating, parking brake (See page 235 for parts)
40	70 035221	4	CAPSCREW, 1/2"NC x 1"
	70 904208	4	LOCKWASHER, 1/2"
	70 910244	1	WASHER, plain, SAE std., 1/2"
41	70 068389	1	YOKE, parking brake rod
42	70632159	1	ROD, connecting, parking brake lever
43	70 052671	1	PIN, parking brake lever
	70 900806	1	PIN, cotter, 1/8" x 1"
44	70 631974	1	LEVER, parking brake
45	70 065588	1	CAPSCREW, 1/2"NF x 3-1/2"
	70 904208	1	LOCKWASHER, 1/2"
	70 911043	1	NUT, 1/2"NF

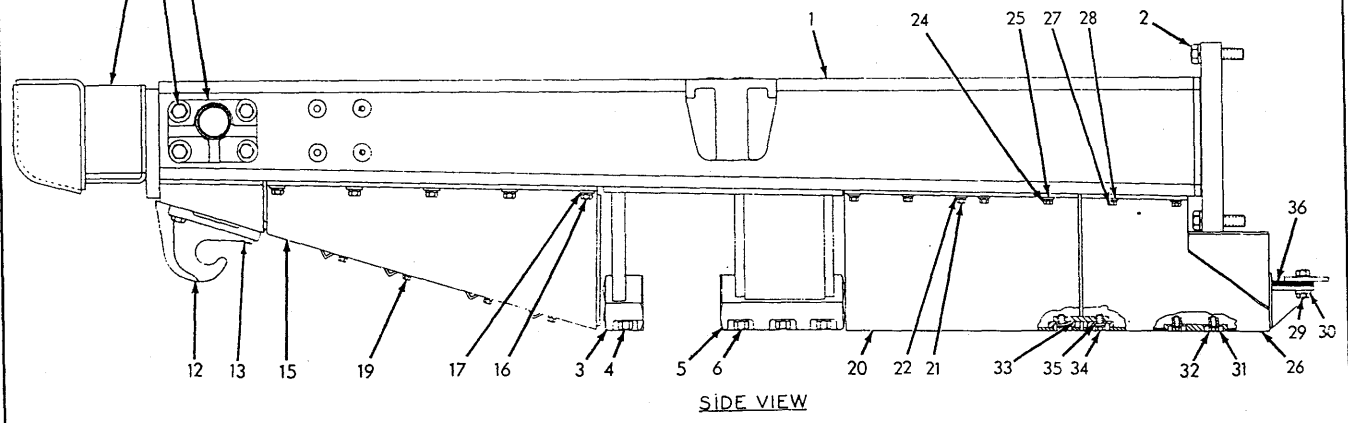
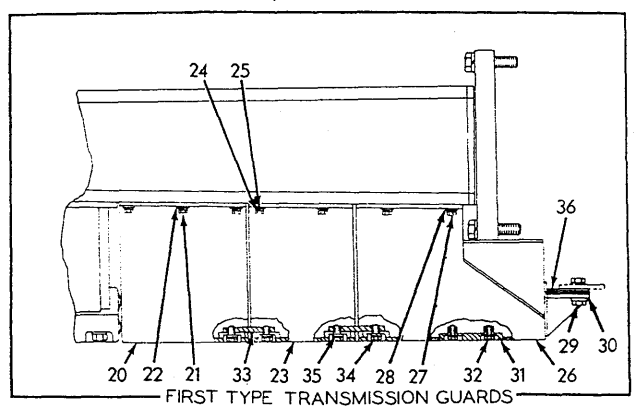
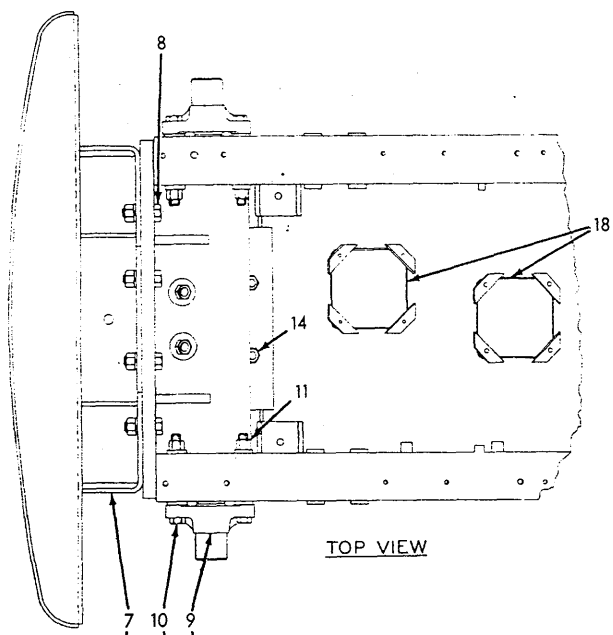


PARKING BRAKE LEVER ASSEMBLY 70631981

T-37196

USAGE: See page 233

ITEM	PART NO.	QTY.	DESCRIPTION
1	70 637801	1	CAP, adjusting stud
2	70 637802	1	NUT, cap locking
3	70 923548	1	O-RING, adjusting stud knob
4	70 637803	1	LEVER, operating
5	70 637818	1	STUD, lever adjusting
6	70 637804	1	TUBE, adjusting stud
7	70 637819	1	PIN, connecting link
8	70 637805	1	LINK, connecting
9	70 637811	1	PIN, clevis
	70 900818	1	WASHER, plain, U.S. std., 1/2"
	70 900806	1	PIN, cotter, 1/8" x 1"
10	70 637808	2	BRACKET, pivot
11	70 637806	2	SPACER, pivot bracket (3/4" O.D.)
12	70 637809	2	SPACER, pivot bracket (5/8" O.D.)
13	70 637810	1	SPACER, pivot bracket (1/2" O.D.)
14	-----	1	BRACKET, supporting (Not serviced separately)
15	70 637817	1	BOLT, pivot bracket (drilled-hd.)(Early units)
	70 099575	1	CAPSCREW, pivot bracket (Late units)
	70 919219	1	NUT, elastic stop, thin, 3/8"NF
16	70 637820	1	PIN, lever locking (Includes chain)
	70 913533	1	SCREW, thread-cutting, #4 x 1/4" (Early units)
	70 648406	1	PIN, drive (Late units)



MAIN FRAME

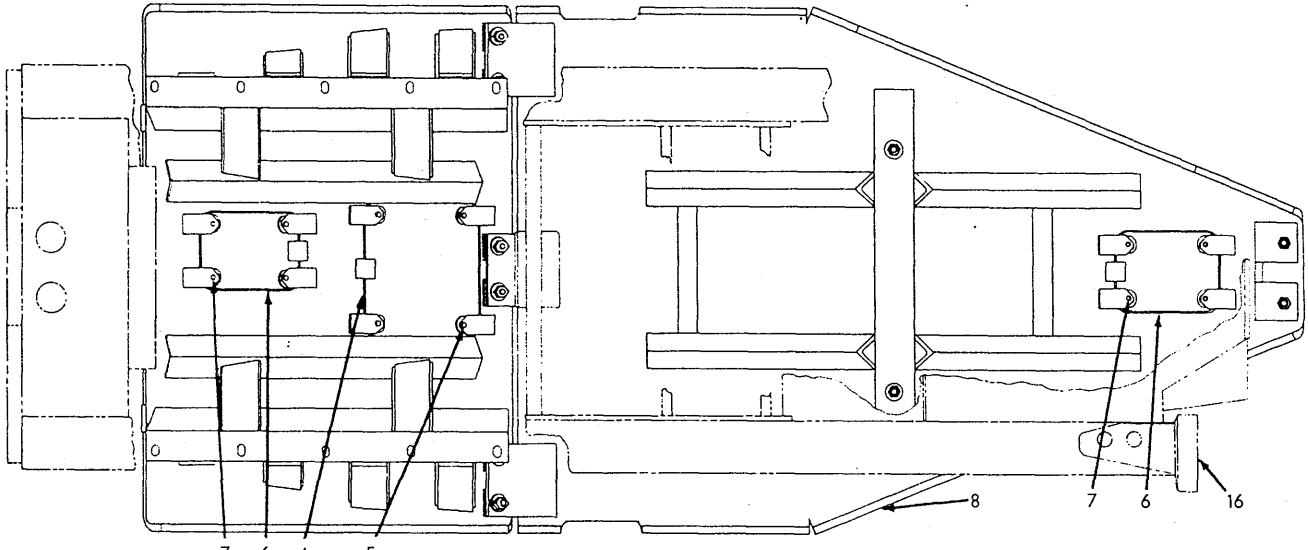
T-38130

MAIN FRAME

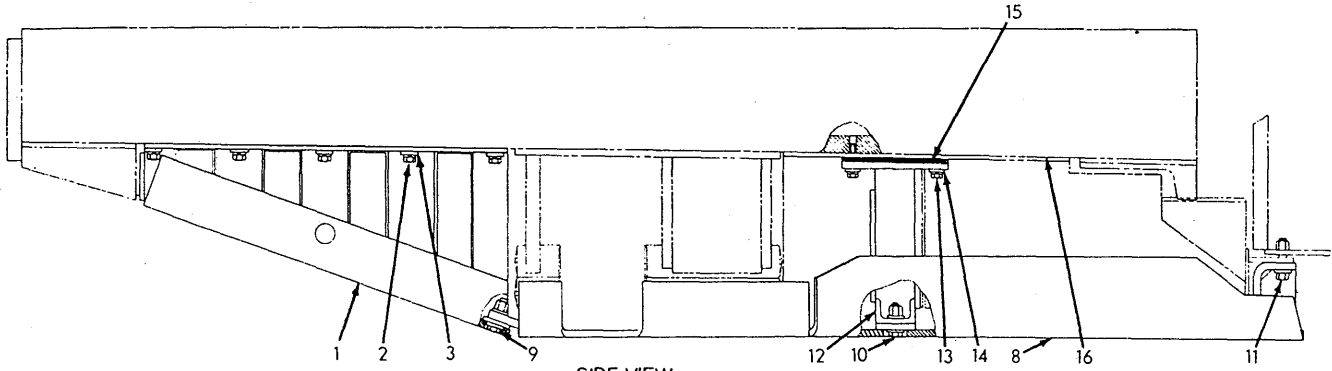
* Tractors prior to serial No. 13982 including No. 13985
 ** Tractors serial No. 13982 and up excluding No. 13985

ITEM	PART NO.	QTY.		DESCRIPTION	
		*	**		
1	70649513	1	1	FRAME ASSEMBLY (Includes items 3 thru 6)	
2	70074103	12	12	CAPSCREW, 1-1/4"NF x 4-3/4"	
	70904210	12	12	LOCKWASHER, 1-1/4"	
3	70630038	1	1	CAP, spring pivot pin, front	
4	70031055	2	2	CAPSCREW, 1"NF x 3-3/4"	
	70910916	2	2	LOCKWASHER, 1"	
5	70630450	1	-	CAP, spring pivot pin, rear	
	70647327	-	1	CAP, spring pivot pin, rear	
6	70031055	6	6	CAPSCREW, 1"NF x 3-3/4"	
	70910916	6	6	LOCKWASHER, 1"	
7	70641021	1	1	BUMPER, front (Short type. Standard)	} Not used with front-mounted allied equipment
	70097964	1	1	BUMPER, front (Long type. Optional)	
8	70070272	4	4	CAPSCREW, 1"NF x 3" (For BUMPER 70641021)	
	70035420	4	4	CAPSCREW, 1"NF x 3-1/4" (For BUMPER 70097964)	
	70910916	4	4	LOCKWASHER, 1"	
	70911047	4	4	NUT, 1"NF	
9	70629739	2	2	TRUNNION, radiator guard mounting	
10	70629916	8	8	CAPSCREW, 1"NF x 9-1/4"	
11	70600236	8	8	NUT, high, 1"NF	
12	70040503	1	1	HOOK, front pull (Standard on tractors prior to #14943; special thereafter)	
13	70013006	4	4	CAPSCREW, 7/8"NF x 3-3/4"	
14	70070400	4	4	NUT, high, 7/8"NF	
15	70630018	1	1	GUARD ASSEMBLY, crankcase (Includes items 18 and 19)	
16	70012453	10	10	CAPSCREW, 3/4"NF x 2"	
	70904369	10	10	LOCKWASHER, 3/4"	
17	70061689	10	10	WASHER, plain	
18	70091634	2	2	PLATE, cover, oil and water drain holes	
19	70070469	8	8	CAPSCREW, 1/2"NF x 1-1/4"	
	70904208	8	8	LOCKWASHER, 1/2"	
20	70640754	1	-	GUARD, transmission, front section	
	70646549	-	1	GUARD, transmission, front section	
21	70023465	6	8	CAPSCREW, 5/8"NF x 1-3/4"	
	70904209	6	8	LOCKWASHER, 5/8"	
22	70064810	6	8	WASHER, plain	
23	70640773	1	-	GUARD, transmission, intermediate section	
24	70023465	4	-	CAPSCREW, 5/8"NF x 1-3/4"	
	70904209	4	-	LOCKWASHER, 5/8"	
25	70064810	4	-	WASHER, plain	
26	70640771	1	-	GUARD ASSEMBLY, transmission, rear section	} Each includes items 31 and 32
	70642613	-	1	GUARD ASSEMBLY, transmission, rear section	
27	70023465	4	4	CAPSCREW, 5/8"NF x 1-3/4"	
	70904209	4	4	LOCKWASHER, 5/8"	
28	70064810	4	4	WASHER, plain	
29	70012742	2	2	CAPSCREW, 3/4"NF x 2-1/4"	
30	70061689	2	2	WASHER, plain	
	70904369	2	2	LOCKWASHER, 3/4"	
	70911045	2	2	NUT, 3/4"NF	

(Continued)



TOP VIEW



SIDE VIEW

BOTTOM GUARDS (First type)

T-38129

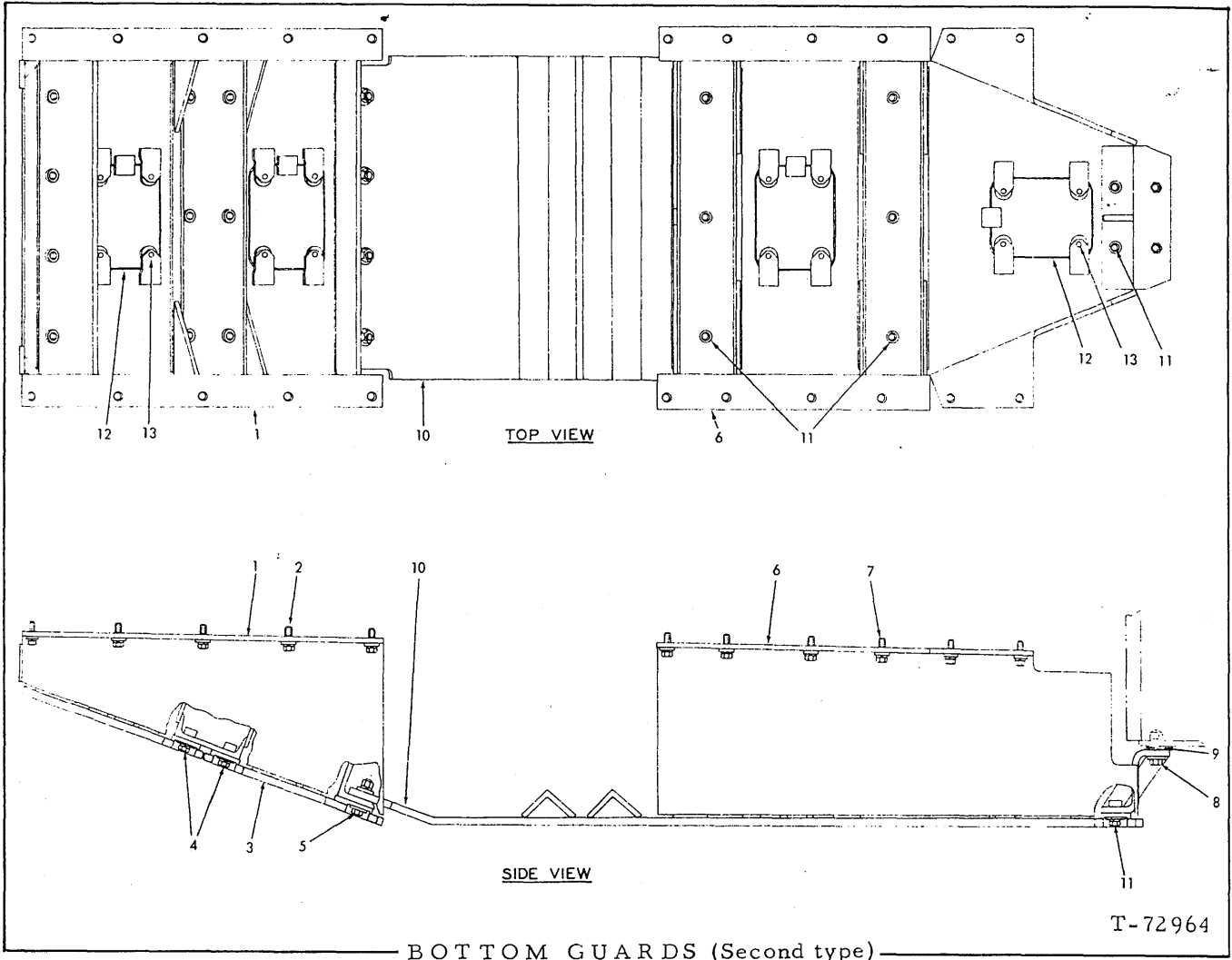
MAIN FRAME (Continued)

ITEM	PART NO.	QTY.		DESCRIPTION
		*	**	
31	70 629922	1	-	COVER, transmission oil drain
	70 642633	-	1	COVER, transmission oil drain
32	70070467	2	-	CAPSCREW, 1/2"NF x 1"
	70070469	-	2	CAPSCREW, 1/2"NF x 1-1/4"(Early units)
	70035061	-	2	CAPSCREW, 1/2"NC x 1-1/4"(Late units)
	70904208	2	2	LOCKWASHER, 1/2"
33	70630039	2	1	PLATE, guard attaching
34	70614478	8	4	CAPSCREW, 1/2"NF x 1-3/8"
	70904208	8	4	LOCKWASHER, 1/2"
35	70064531	8	4	WASHER, plain
36	70631959	2	2	SHIM, rear guard (1/16" thick. Use as required)
	70631960	2	2	SHIM, rear guard (1/8" thick. Use as required)

BOTTOM GUARDS

USAGE: Special equipment. Used prior to November 1966

ITEM	PART NO.	QTY.		DESCRIPTION
1	70633309	1		GUARD ASSEMBLY, bottom, front section (Includes items 4 thru 7) (Used in place of standard GUARD ASSEMBLY 70630018)
2	70 012742	10		CAPSCREW, 3/4"NF x 2-1/4"
	70 904369	10		LOCKWASHER, 3/4"
3	70 061689	10		WASHER, plain
4	70633282	1		COVER, oil drain opening, rear
5	70 035221	4		CAPSCREW, 1/2"NC x 1"
	70 904208	4		LOCKWASHER, 1/2"
6	70633283	2		COVER, guard, front and rear section
7	70 035221	8		CAPSCREW, 1/2"NC x 1"
	70 904208	8		LOCKWASHER, 1/2"
8	70633338	1		GUARD, bottom, rear section (Includes items 6 and 7)
9	70 012984	6		CAPSCREW, 3/4"NF x 2-3/4"
10	70 070285	2		CAPSCREW, 3/4"NF x 3"
11	70 052527	2		CAPSCREW, 3/4"NF x 3-1/2"
	70 061689	18		WASHER, plain
	70 012767	10		NUT, high, 3/4"NF
12	70633307	1		CHANNEL, supporting, rear bottom guard
13	70 023618	4		CAPSCREW, 5/8"NF x 2-1/2"
	70 904209	4		LOCKWASHER, 5/8"
14	70 064810	4		WASHER, plain
15	70633276	4		SHIM, channel adjustment (1/16" thick. Use as req'd)
	70633277	4		SHIM, channel adjustment (1/8" thick. Use as req'd)
16	-----	1		FRAME (See MAIN FRAME)

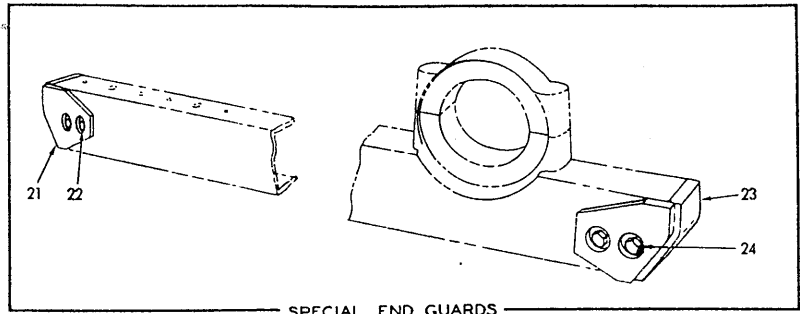


BOTTOM GUARDS

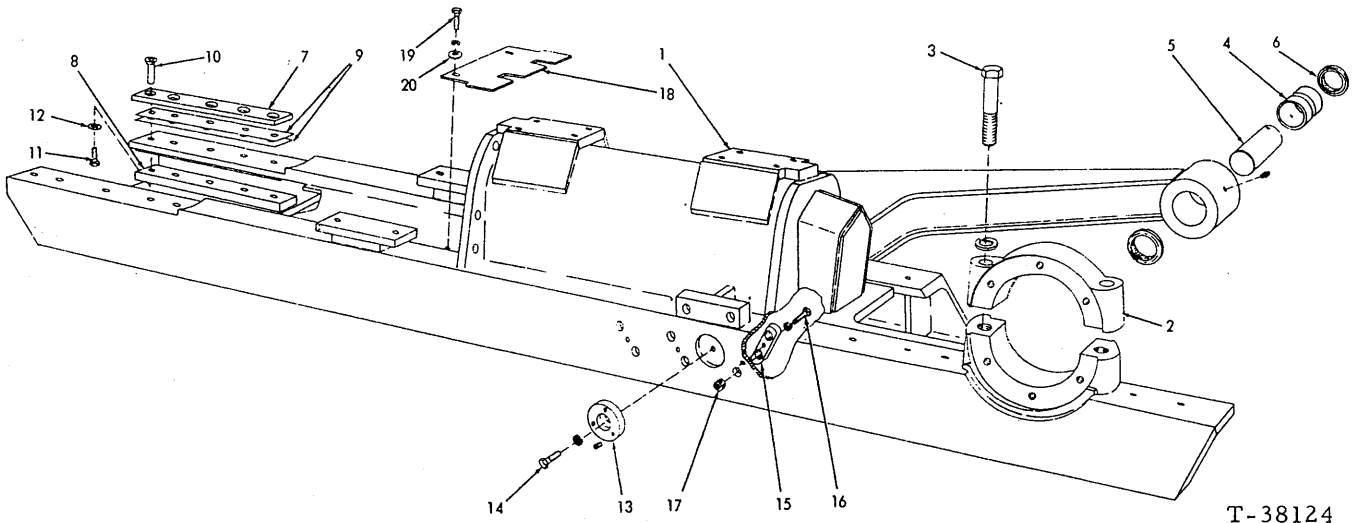
USAGE: Special equipment. Effective November 1966.

* Tractors prior to serial No. 14943
 ** Tractors serial No. 14943 and up

ITEM	PART NO.	QTY.		DESCRIPTION
		*	**	
1	70 646027	1	-	FRAME, front
	70 664745	-	1	FRAME, front
2	70 012453	10	10	CAPSCREW, 3/4"NF x 2"
	70 904369	10	10	LOCKWASHER, 3/4"
	70 061689	10	10	WASHER, plain
3	70 645961	2	2	PLATE ASSEMBLY, bottom, front sections (Includes items 12 and 13)
4	70 916331	10	10	CAPSCREW, 3/4"NF x 2-1/4"
	70 904369	10	10	LOCKWASHER, 3/4"
	70 900820	10	10	WASHER, plain, USS std., 3/4"
5	70 916335	4	4	CAPSCREW, 3/4"NF x 3-1/4"
	70 061689	8	8	WASHER, plain
	70 904369	4	4	LOCKWASHER, 3/4"
	70 911045	4	4	NUT, 3/4"NF
6	70 646089	1	-	FRAME, rear
	70 663251	-	1	FRAME, rear
7	70 916021	12	12	CAPSCREW, 5/8"NF x 2"
	70 904209	12	12	LOCKWASHER, 5/8"
	70 064810	12	12	WASHER, plain
8	70 916334	2	2	CAPSCREW, 3/4"NF x 3"
	70 061689	2	2	WASHER, plain
	70 904369	2	2	LOCKWASHER, 3/4"
	70 911045	2	2	NUT, 3/4"NF
9	70 631959	1	1	SHIM, rear frame (Use as req'd)
10	70 646026	1	-	PLATE ASSEMBLY, bottom, rear section
	70 664774	-	1	PLATE ASSEMBLY, bottom, rear section
} Each includes items 12 and 13				
11	70 916331	8	8	CAPSCREW, 3/4"NF x 2-1/4"
	70 904369	8	8	LOCKWASHER, 3/4"
	70 900820	8	8	WASHER, plain, USS std., 3/4"
12	70 633283	4	4	COVER, access holes
13	70 916310	16	16	CAPSCREW, 1/2"NC x 1"
	70 904208	16	16	LOCKWASHER, 1/2"



SPECIAL END GUARDS



TRACK FRAME

T-38124

TRACK FRAME

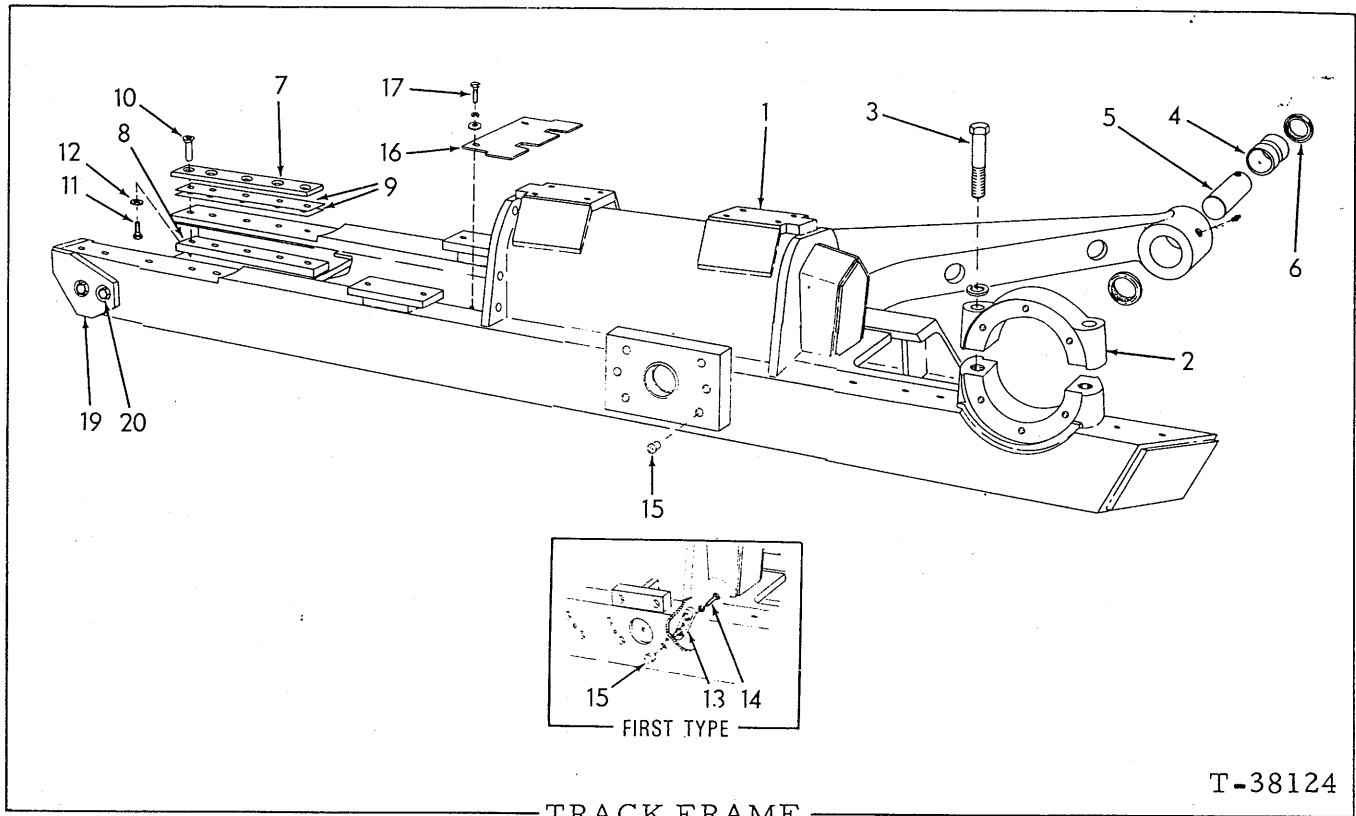
* Tractors prior to serial No. 14943 } Original
 ** Tractors serial No. 14943 and up } equipment

ITEM	PART NO.	QTY.		DESCRIPTION	
		*	**		
1	70629113	1	-	FRAME ASSEMBLY, left	} Each includes items 2 thru 4
	70663427	-	1	FRAME ASSEMBLY, left	
	70914465	-	1	FITTING, lubricating, 1/8"NPT	
	70629114	1	-	FRAME ASSEMBLY, right	
	70663428	-	1	FRAME ASSEMBLY, right	
	70914465	-	1	FITTING, lubricating, 1/8"NPT	
2	70069810	2	2	CAP, sprocket shaft bearing	
3	70928175	4	4	CAPSCREW, 1-1/4"NF x 6"	
	70914730	4	4	LOCKWASHER, 1-1/4"	
4	70052079	2	-	BUSHING, pivot shaft (5-3/4" long)	
	70664268	-	2	BUSHING, pivot shaft (6-1/8" long)	
5	70052080	2	-	SHAFT, pivot	
	70907070	2	-	PLUG, pipe, ctsk-hd., 1/4"NPT	
6	70664280	-	2	SHAFT, pivot	
	70622984	4	-	SEAL, oil, pivot shaft (1/2" wide)	
7	70664281	-	4	SEAL, grease, pivot shaft (1/4" wide)	
	70630624	4	4	BAR, slide, track idler, upper	
8	70631704	4	4	BAR, slide, track idler, lower	
9	70632575	4	4	SHIM, slide bar (.028" thick. Use as required)	
	70637601	4	4	SHIM, slide bar (.014" thick. Use as required)	
10	70631690	20	20	DOWEL, tapped, track idler slide bar	
11	70646045	20	20	CAPSCREW, Nylok, 3/8"NF x 1"	
12	70647080	20	20	WASHER, plain (hardened)	
13	70052085	2	-	COVER (Removed when mounting dozing equipment. Standard on early units only)	
14	70927353	2	-	CAPSCREW, 1/2"NF x 1-1/4"	
	70921441	2	-	LOCKWASHER, 1/2"	
	70911255	6	-	SETSCREW, socket-hd., cup-pt., 1/2"NC x 3/4"	
15	70669409	6	6	BLOCK, tapped (For mounting dozing equipment)	
16	70927236	6	6	CAPSCREW, 1/2"NF x 2"	
	70912441	6	6	LOCKWASHER, 1/2"	
17	70053421	12	12	PLUG (3/4"NPT)(For protecting dozer mounting holes)	
18	70097490	2	2	PLATE, closure	
19	70012992	4	4	CAPSCREW, 3/8"NF x 1-1/4"	
	70910287	4	4	LOCKWASHER, 3/8"	
20	70677006	4	4	WASHER, plain	

NOTE: Items listed below are Special Equipment

21	70656795	3	2	GUARD, end left hand	
22	70924149	6	-	CAPSCREW, 3/4"NF x 2-1/4" (Early units)	
	70923453	6	4	CAPSCREW, 3/4"NF x 2" (Late units)	
	70914726	6	4	LOCKWASHER, 3/4"	
	70911045	6	4	NUT, 3/4"NF	
23	70656796	3	2	GUARD, end, right hand	
24	70924149	6	-	CAPSCREW, 3/4"NF x 2-1/4" (Early units)	
	70923453	6	4	CAPSCREW, 3/4"NF x 2" (Late units)	
	70914726	6	4	LOCKWASHER, 3/4"	
	70910175	6	4	NUT, 3/4"NF	

NOTE: End guards cannot be installed in rear position on tractors serial No. 14943 and up with original equipment track frame.
 (Added August 1979)



TRACK FRAME

T-38124

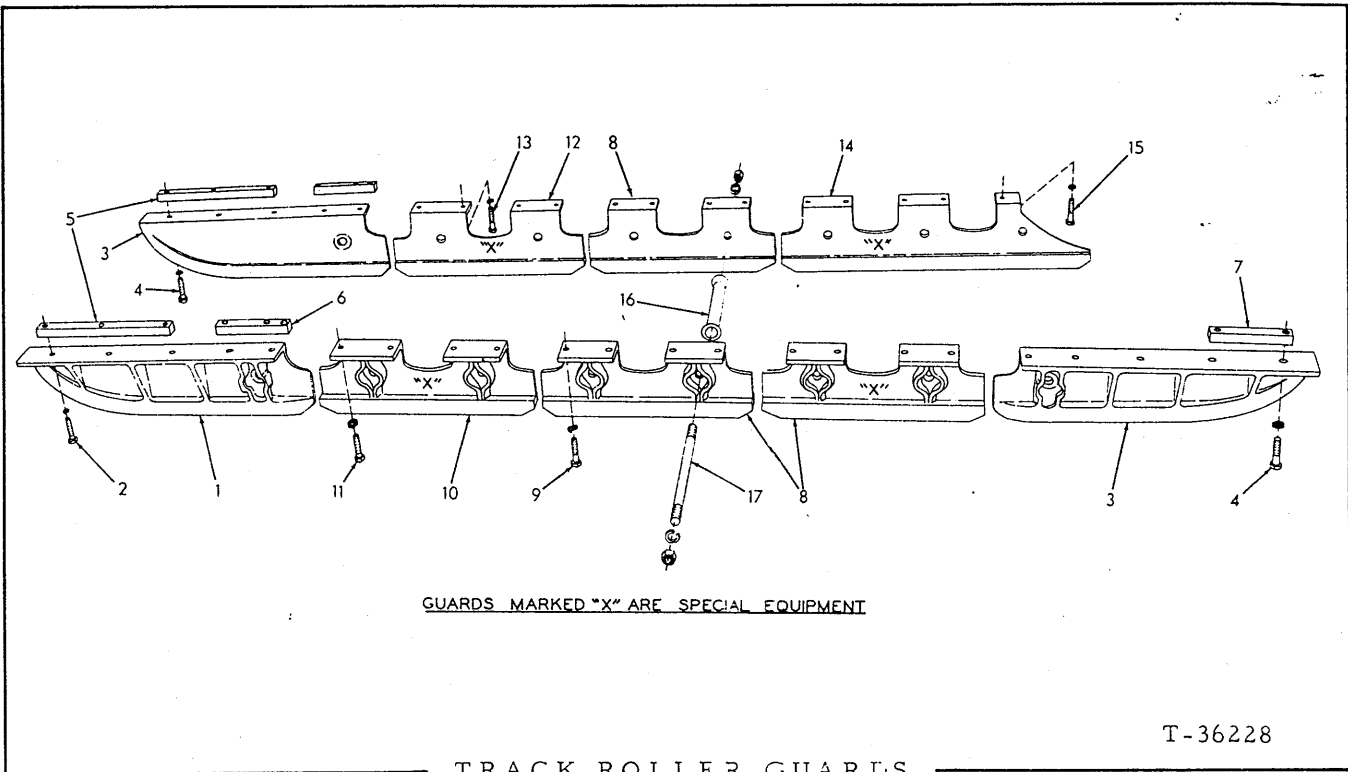
USAGE: Service replacement

ITEM	PART NO.	QTY.	DESCRIPTION
1	70690367	1	FRAME ASSY., left
	70690368	1	FRAME ASSY., right
	70914465	2	FITTING, lubricating, 1/8"NPT, straight (Tractors without counter weight)
	70917192	2	FITTING, lubricating, 1/8"NPT, 90° (Tractors with counter weight)
2	70684490	2	CAP, sprocket shaft bearing
3	70928175	4	CAPSCREW, 1-1/4"NF x 6"
	70914730	4	LOCKWASHER, 1-1/4"
4	70664268	2	BUSHING, pivot shaft
5	70664280	2	SHAFT, pivot
6	70664281	4	SEAL, grease, pivot shaft
7	70630624	4	BAR, slide, track idler, upper
8	70631704	4	BAR, slide, track idler, lower
9	70632575	4	SHIM, slide bar (.028" thick. Use as required)
	70637601	4	SHIM, slide bar (.014" thick. Use as required)
10	70631690	20	DOWEL, tapped, track idler slide bar
11	70923276	20	CAPSCREW, 3/8"NF x 1"
12	70647080	20	WASHER, plain (hardened)
13	70669409	6	BLOCK, tapped (For mounting dozing equipment)
14	70927236	6	CAPSCREW, 1/2"NF x 2"
	70912441	6	LOCKWASHER, 1/2"
15	70630097	12	CORK (1" diam.)(For protecting dozer mounting holes)

(Continued)

TRACK FRAME (Continued)

ITEM	PART NO.	QTY.	DESCRIPTION
16	70669408	2	PLATE, closure
	70012992	4	CAPSCREW, 3/8"NF x 1-1/4"
	70910287	4	LOCKWASHER, 3/8"
	70677006	4	WASHER, plain
NOTE: Items listed below are Special Equipment			
19	70656795	2	GUARD, end left hand
	70656796	2	GUARD, end, right hand
20	70921068	8	CAPSCREW, 3/4"NC x 2-1/4"
	70929188	8	WASHER, plain
	70911030	8	NUT, 3/4"NC



TRACK ROLLER GUARDS

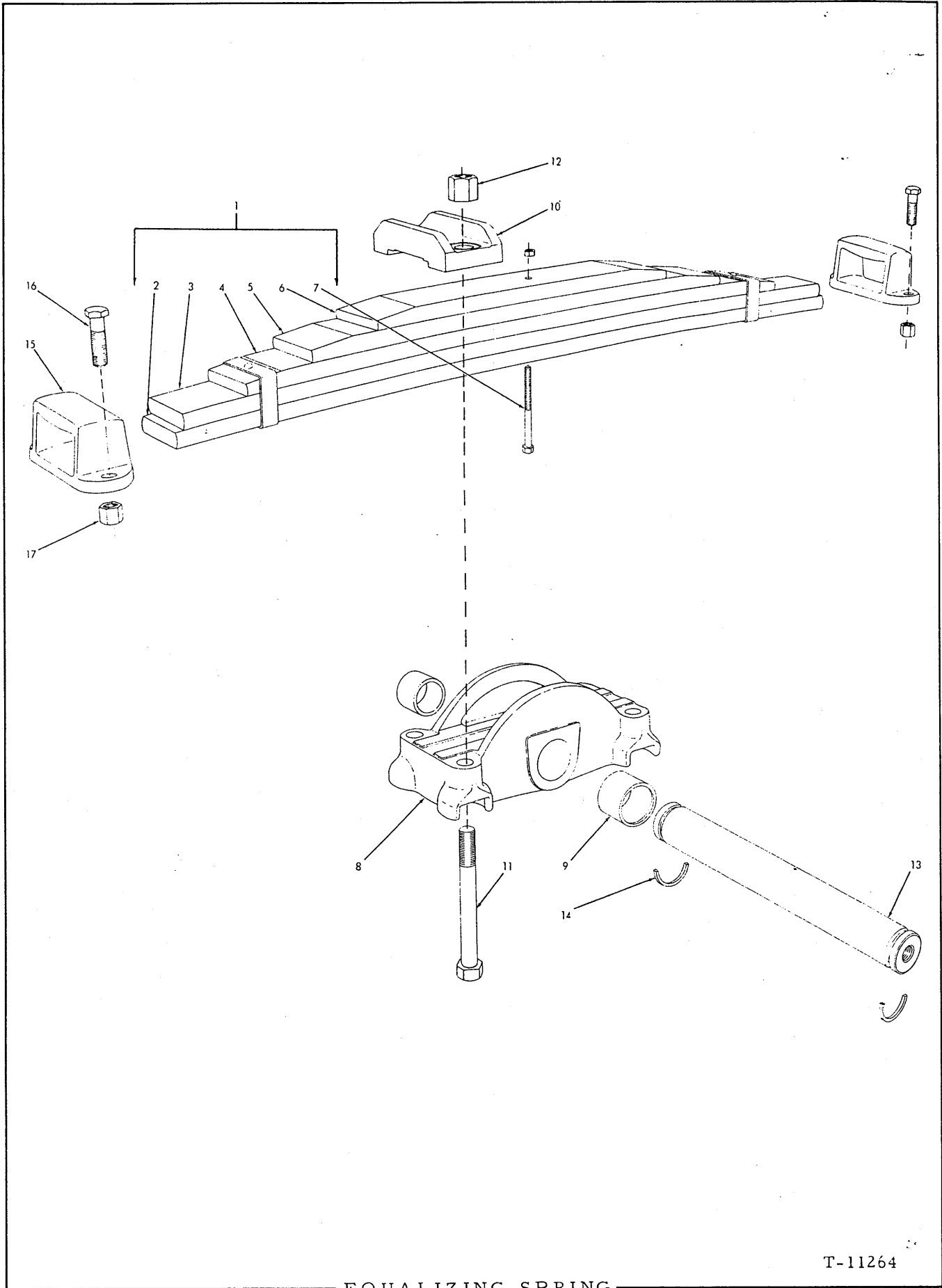
T-36228

TRACK ROLLER GUARDS

* Partial guarding. Standard equipment
 ** Full guarding. Special equipment

ITEM	PART NO.	QTY.		DESCRIPTION
		*	**	
1	70649121	3	3	GUARD, end section, left hand (Tractors prior to #14943)
	70665669	3	3	GUARD, end section, left hand (Tractors #14943 and up)
2	70070285	15	15	CAPSCREW, 3/4"NF x 3"
	70904369	15	15	LOCKWASHER, 3/4"
3	70649122	3	3	GUARD, end section, right hand (Tractors prior to #14943)
	70665670	3	3	GUARD, end section, right hand (Tractors #14943 and up)
4	70070285	15	15	CAPSCREW, 3/4"NF x 3"
	70904369	15	15	LOCKWASHER, 3/4"
5	70632349	4	4	BLOCK, tapped, front guard attachment (16-1/4" long)
6	70632325	4	4	BLOCK, tapped, front guard attachment (8-1/2" long)
7	70632350	4	4	BLOCK, tapped, rear guard attachment
8	70646084	4	6	GUARD, intermediate section
9	70070285	16	24	CAPSCREW, 3/4"NF x 3"
	70904369	16	24	LOCKWASHER, 3/4"
10	70669553	-	2	GUARD, intermediate front section, left hand
11	70070285	-	8	CAPSCREW, 3/4"NF x 3"
	70904369	-	8	LOCKWASHER, 3/4"
12	70669554	-	2	GUARD, intermediate front section, right hand
13	70070285	-	8	CAPSCREW, 3/4"NF x 3"
	70904369	-	8	LOCKWASHER, 3/4"
14	70647975	-	1	GUARD, rear inner section, left side
	70647976	-	1	GUARD, rear inner section, right side
15	70070285	-	10	CAPSCREW, 3/4"NF x 3"
	70904369	-	10	LOCKWASHER, 3/4"
16	70632361	6	16	SPACER, guard bracing
17	-----	6	16	CAPSCREW, guard bracing (1"NF x 15-7/8")(Used prior to tractor #14229. Order ROD 650847, 1 LOCKWASHER 70910916 and 1 NUT 70911047)
	70910916	6	16	LOCKWASHER, 1"
	70600236	6	16	NUT, high, 1"NF
	70650847	6	16	ROD, guard bracing (1"NF x 16-3/4")(Effective with tractor #14229)
	70910916	12	32	LOCKWASHER, 1"
	70911047	12	32	NUT, 1"NF

(Revised August 1979)



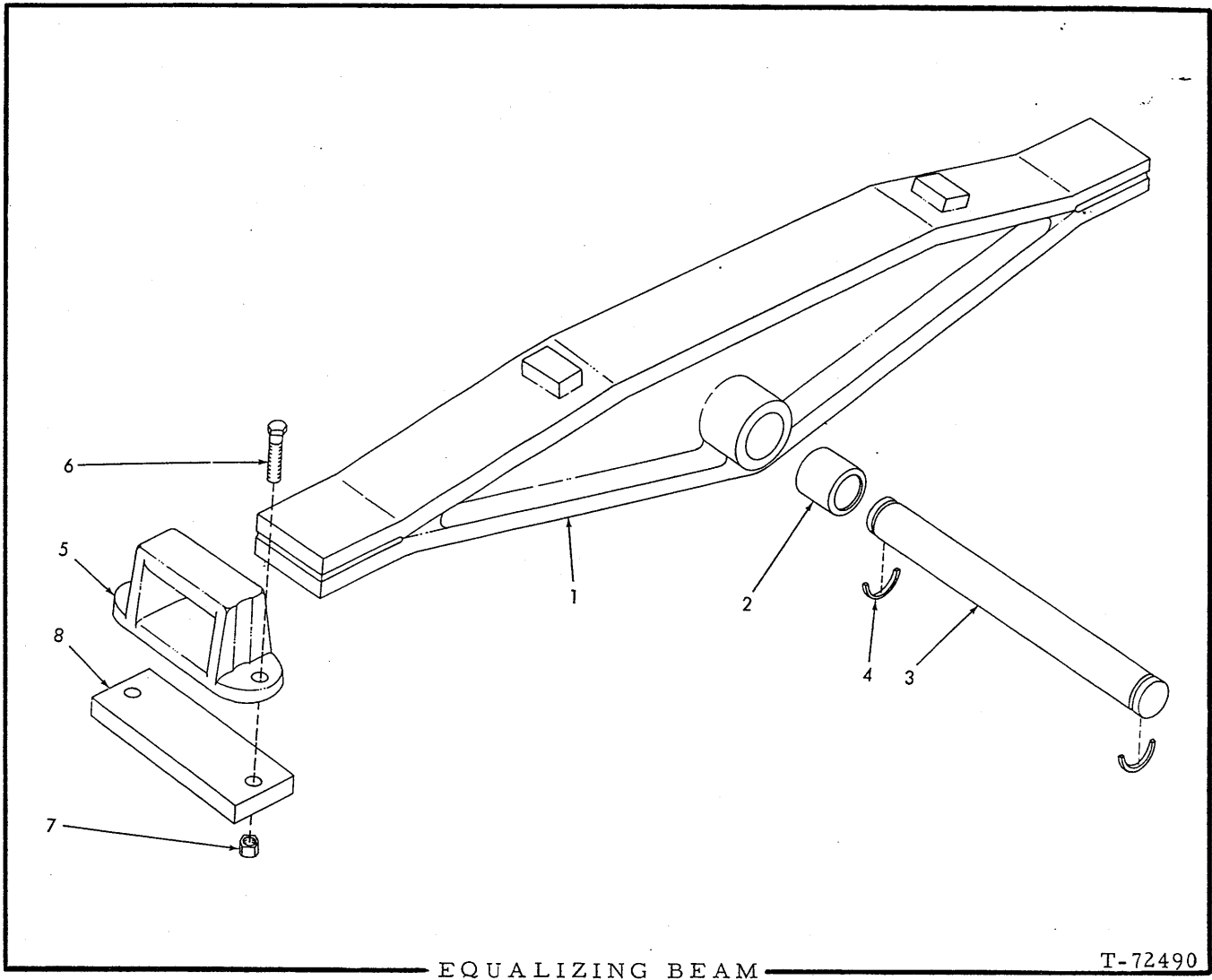
EQUALIZING SPRING

T-11264

EQUALIZING SPRING

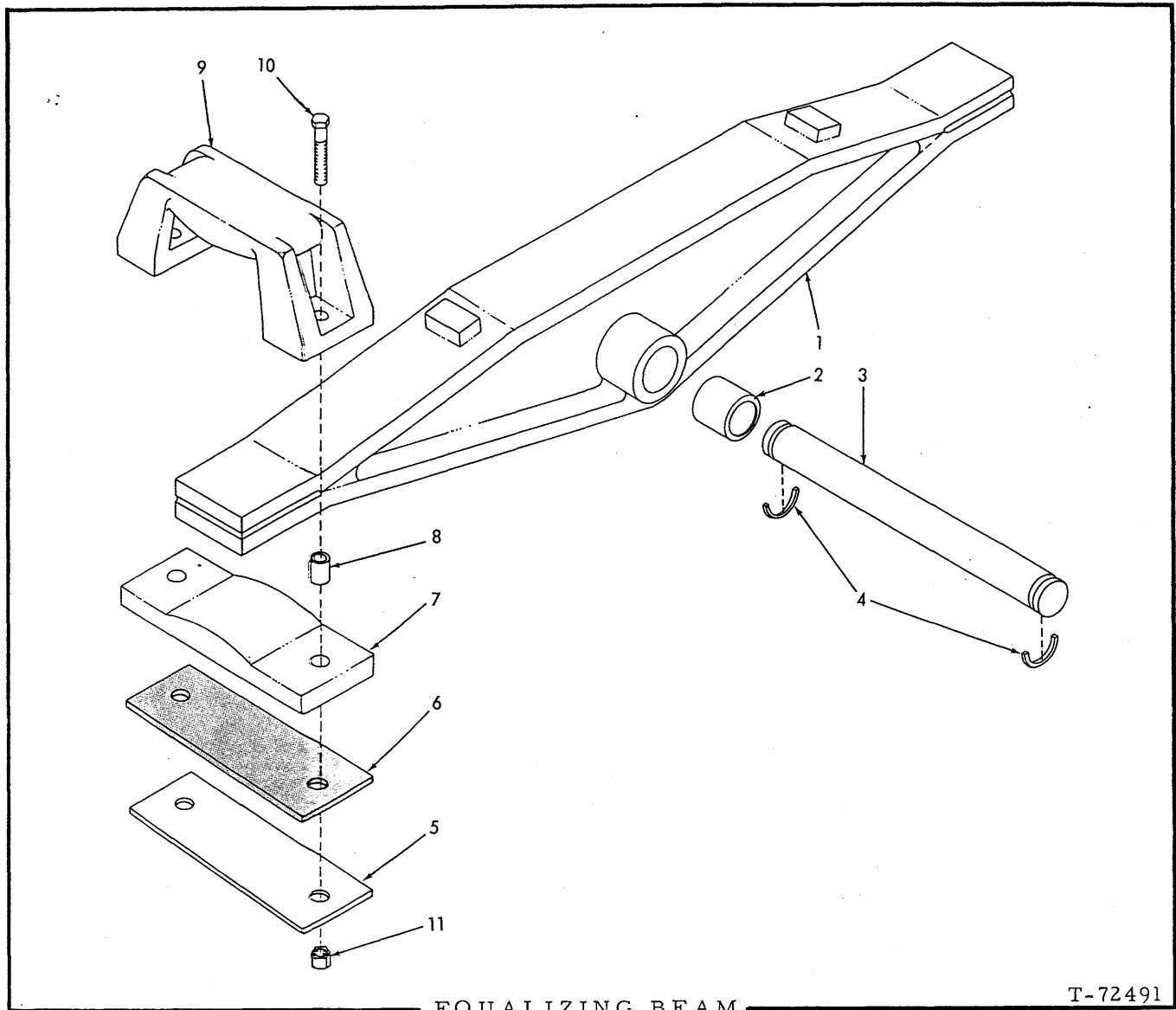
USAGE: Tractors prior to serial No. 14497

ITEM	PART NO.	QTY.	DESCRIPTION
1	70099739	1	SPRING ASSEMBLY (Consists of items 2 thru 7)
2	70099687	1	LEAF, main (73-1/2" long)
3	70099734	1	LEAF, second (72-1/2" long)
4	70099735	1	LEAF ASSEMBLY, third (61-1/2" long)(Includes riveted rebound bands. Serviced only as a unit)
5	70099736	1	LEAF, fourth (49" long)
6	70099737	1	LEAF, fifth (37-1/4" long)
7	70065468	1	CAPSCREW, center (5/8"NF x 8-1/4")
	70911044	1	NUT, 5/8"NF
8	70065860	1	SADDLE ASSEMBLY (Includes item (9))
9	70052256	2	BUSHING, saddle
10	70052264	2	SADDLE, spring bolt
11	70621803	4	CAPSCREW, spring saddle (1-1/2"NF x 13-7/8")
12	70052263	4	NUT, high, 1-1/2"NF
13	70630032	1	PIN, spring pivot
14	70630302	2	RING, pivot pin retaining
15	70099738	2	SEAT, spring
16	70035420	4	CAPSCREW, 1"NF x 3-1/4"
17	70600236	4	NUT, high, 1"NF



USAGE: Optional equipment on tractors prior to serial No. 14497, excluding Nos. 14455, 14467, 14472, 14473, 14479, 14486, 14489 thru 14496.

ITEM	PART NO.	QTY.	DESCRIPTION
1	70643348	1	BEAM ASSEMBLY (Includes item 2)
2	70052256	2	BUSHING, beam pivot
3	70630032	1	PIN, beam pivot
4	70630302	2	RING, pivot pin retaining
5	70 099738	2	SEAT, beam
6	70 098265	4	CAPSCREW, 1"NF x 4-3/4"
7	70 600236	4	NUT, high, 1"NF
8	70654477	2	PLATE, spacing, beam seat

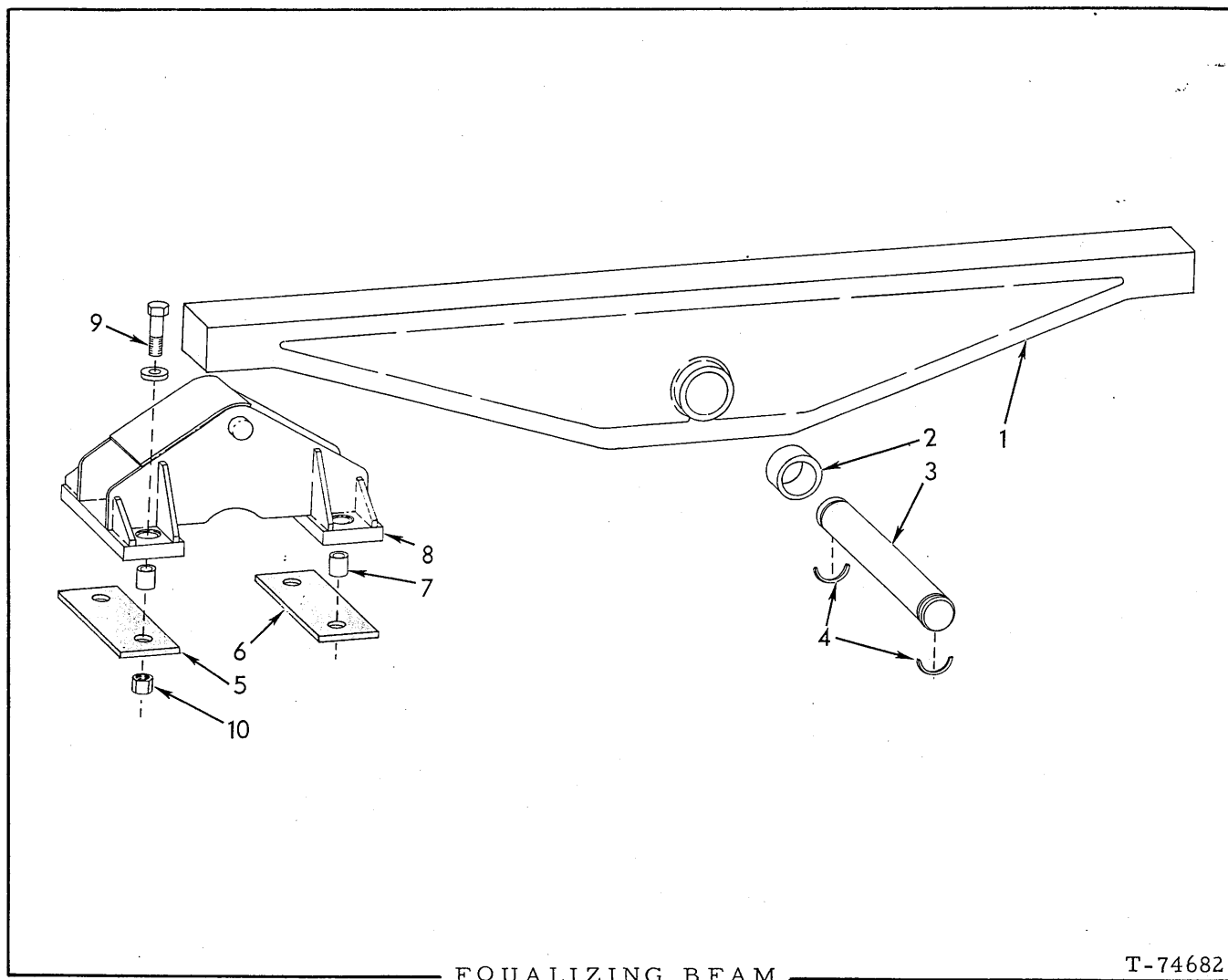


T-72491

USAGE: Tractors serial No. 14497 thru 14942, including Nos. 14455, 14467, 14472, 14473, 14479, 14486, 14489 thru 14496 and excluding 14736.

ITEM	PART NO.	QTY.	DESCRIPTION
1	70643348	1	BEAM ASSY. (Includes item 2)
2	70052256	2	BUSHING, beam pivot
3	70630032	1	PIN, beam pivot
4	70630302	2	RING, pivot pin retaining
	70650772	2	PLATE, shock pad (steel)(3/8" thick)(Original equipment)
5	70665248	2	PLATE, spacing (1" thick)(Optional - use in place of Plate 70650772 and Pad 70650770 for severe service applications)
6	70650770	2	PAD, shock (rubber)
7	70650761	2	PAD, beam seating
8	70650771	4	BUSHING, bracket spacing
9	70650768	2	BRACKET, shock pad
10	70012561	4	CAPSCREW, 1" x 5-1/4"
11	70600236	4	NUT, high, 1"NF

(Revised August 1979)



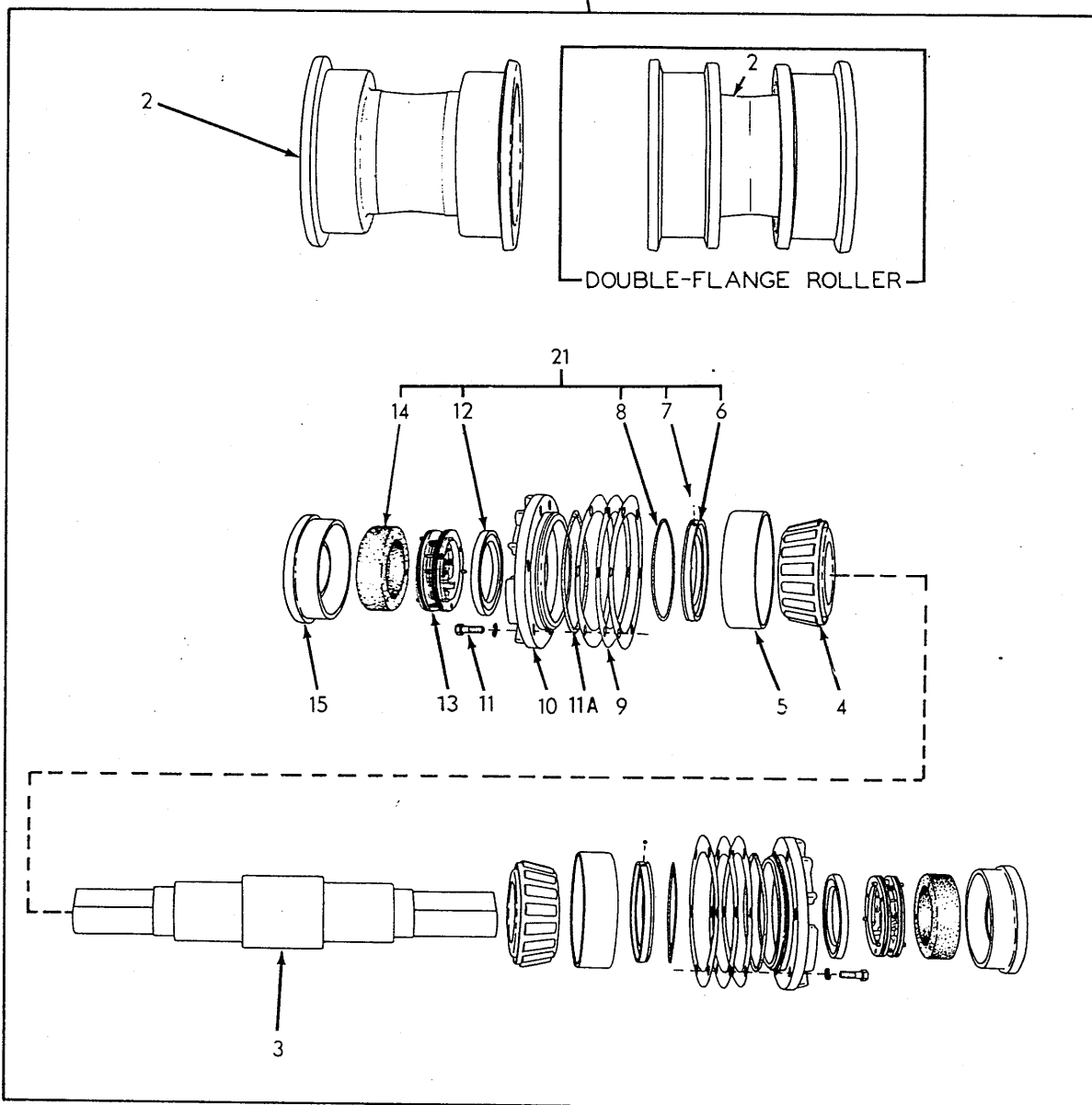
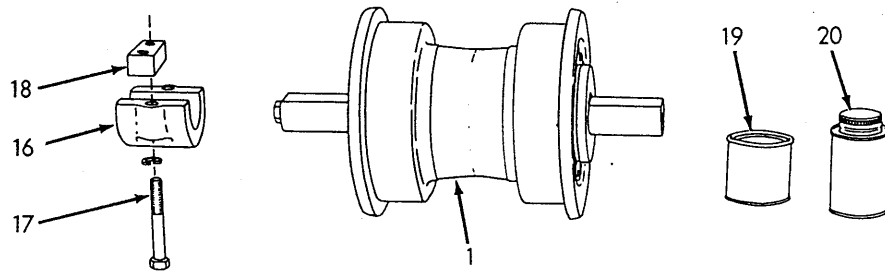
USAGE: Tractors serial No. 14943 and up, including No. 14736

ITEM	PART NO.	QTY.	DESCRIPTION
1	70662957	1	BEAM ASSEMBLY (Includes item 2)
2	70052256	2	BUSHING, beam pivot
3	70630032	1	PIN, beam pivot
4	70630302	2	RING, pivot pin retaining
5	70650770	2	PAD, shock, outer
6	70662924	2	PAD, shock, inner
7	70662897	8	BUSHING, bracket spacing
8	70662940	2	BRACKET, shock pad
9	70073424	8	CAPSCREW, 1"NF x 4"
	70617611	8	WASHER, plain
10	70600236	8	NUT, high, 1"NF

MEMO

249B

(Added August 1979)



TRACK ROLLERS

T-5148

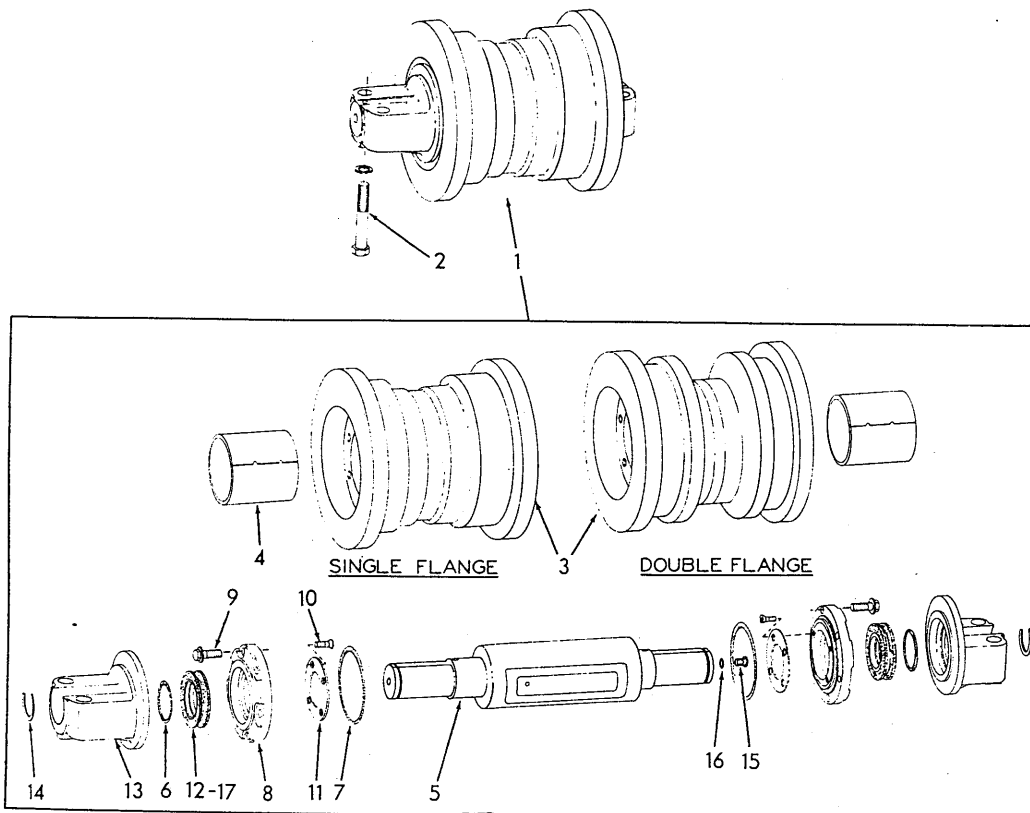
TRACK ROLLERS

ITEM	PART NO.	QTY.	DESCRIPTION	
1	70667647	6	ROLLER ASSY., single-flange	} Each consists of items 2 thru 15
	70667648	8	ROLLER ASSY., double-flange	
2	70667645	6	ROLLER, single-flange	
	70667646	8	ROLLER, double-flange	
3	70622437	14	SHAFT	
4	70076296	28	CONE ASSY., bearing	
5	70604398	28	CUP, bearing	
6	70622197	28	<input type="checkbox"/> RING, seal, inner	
7	70905357	28	<input type="checkbox"/> BALL, steel, 3/16" diam.	
8	70923822	28	<input type="checkbox"/> O-RING, seal ring	
9	70655470	56	SHIM, bearing adjustment (.003" thick)	} Use as required
	70648748	28	SHIM, bearing adjustment(.005" thick)	
	70076294	56	SHIM, bearing adjustment (.007" thick)	
	70076293	56	SHIM, bearing adjustment (.010" thick)	
	70076292	28	SHIM, bearing adjustment (.032" thick)	
10	70667600	28	RETAINER, bearing (Also order item 11A)	
11	70913105	168	CAPSCREW, 1/2"NF x 1-1/2"	
	70912441	168	LOCKWASHER, 1/2"	
11A	70923932	28	O-RING, bearing retainer	
12	70051623	28	<input type="checkbox"/> RING, seal, outer	
13	70051959	28	SPRING ASSY., seal (Serviced only as a unit)	
14	70051629	28	<input type="checkbox"/> BOOT, seal spring	
15	70076298	28	RETAINER, seal	
16	70098744	28	BRACKET, attaching	
17	70085026	56	CAPSCREW, 7/8"NF x 4-1/2"	
	70676122	56	WASHER, plain	
18	70098730	56	BLOCK, tapped, attaching capscrew	
	70012453	56	CAPSCREW, 3/4"NF x 2"	} Not used when full set of Track Roller Guards is installed
	70904369	56	LOCKWASHER, 3/4"	
19	70033288	-	CEMENT, neoprene, 1/2 pint can	} For cementing seal boots
20	70054890	-	SOLVENT, neoprene cement, 1/2 pint can	
21	70622234	14	SEAL KIT (Includes parts for one (1) roller only; items 6, 7, 8, 12 and 14)	
			<input type="checkbox"/> Components of item 21	

MEMO

251A

(Added August 1979)



T-75942

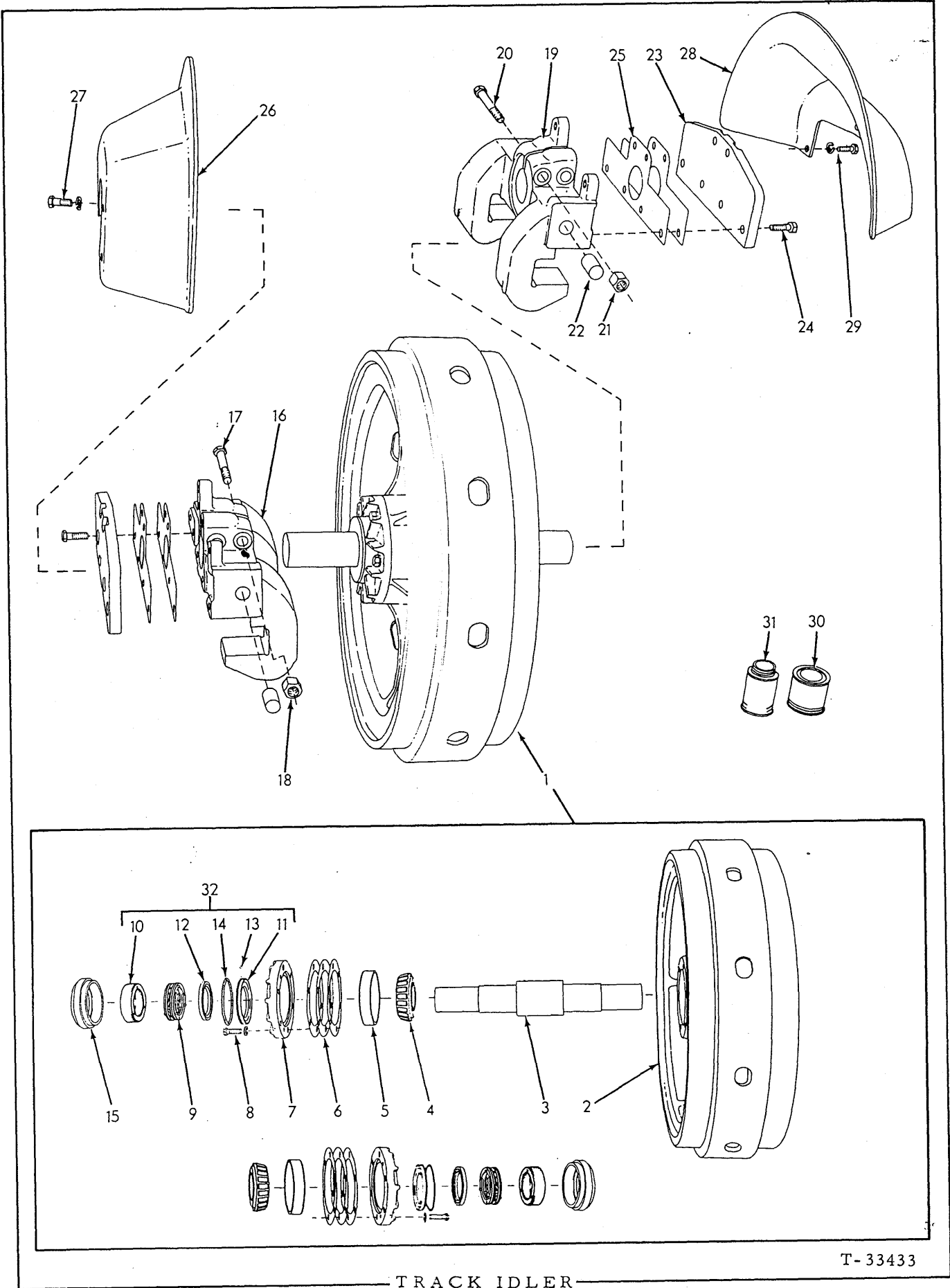
TRACK ROLLERS

USAGE: Service replacement

ITEM	PART NO.	QTY.	DESCRIPTION	
1	70688004	6	ROLLER ASSY., single-flange	} Each includes items 3 thru 16
	70691305	8	ROLLER ASSY., double-flange	
2	70923456	56	CAPSCREW, 7/8"NC x 3-1/2"	
	70676122	56	WASHER	
3	70671143	6	ROLLER ASSY., single-flange	} Each includes item 4
	70691372	8	ROLLER ASSY., double-flange	

NOTE: Quantities listed below are for one (1) roller only.

4	70671145	2	BUSHING, roller
5	70688006	1	SHAFT
6	70923581	2	O-RING, shaft
7	70923591	2	O-RING, retainer
8	70690667	2	RETAINER ASSY. (Includes items 10 and 11)
9	70670849	12	CAPSCREW, retainer attaching
10	70930307	8	SCREW, flat-hd., hex-socket, 1/4"NC x 3/8"
11	70690665	2	WASHER, thrust
12	70671177	2	SEAL ASSY. (Includes item 17)
13	70688007	2	CAP, seal retaining
14	70688012	2	RING, snap, cap retaining
15	70689291	1	PLUG, shaft (sq. -socket, 3/4"NF thread)
16	70923847	1	O-RING, plug
17	70690650	-	RING SET, seal (Includes 2 sealing washer, sufficient to service 1 Seal Assy.)



TRACK IDLER

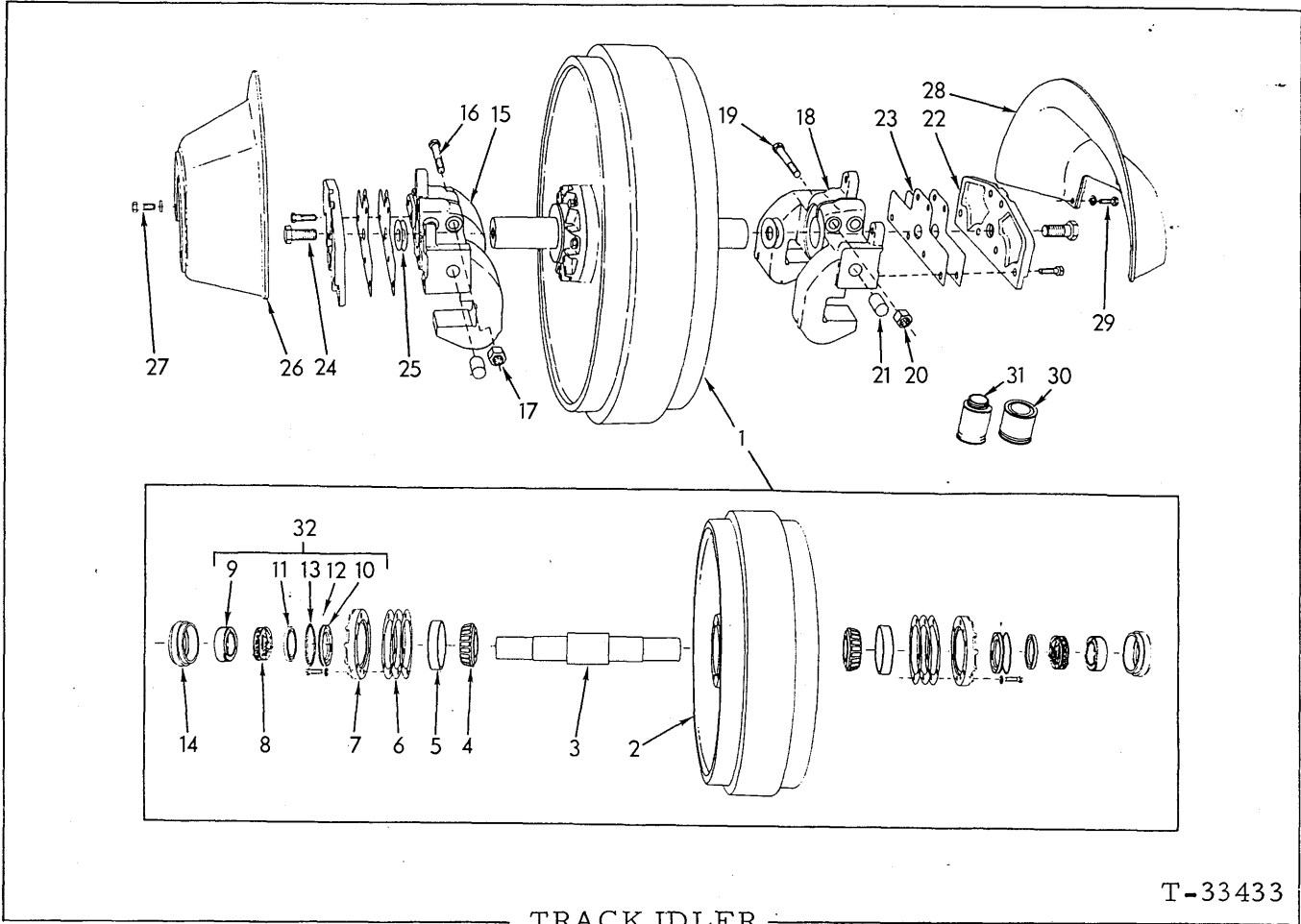
T-33433

TRACK IDLER

USAGE: Original equipment

ITEM	PART NO.	QTY.	DESCRIPTION	
1	70622204	2	IDLER ASSEMBLY, track (Spoke-type. Standard)	} Each consists of items 2 thru 15 (Order Idler Assy. 70691607)
	70630411	2	IDLER ASSEMBLY, track (Solid-type. Special	
2	70622203	2	IDLER, only (Spoke-type. Standard)	
	70622649	2	IDLER, only (Solid-type. Special)	
3	70630361	2	SHAFT (If for tractors prior to #13021 also order 2 each CONE ASSEMBLY 70076296 and Cup 70630345	
4	70051630	4	CONE ASSEMBLY, bearing (1-5/8" wide)(Used prior to tractor #13021)	
	70076296	4	CONE ASSEMBLY, bearing (2-1/8" wide)(Effective with tractor #13021)	
5	70051631	4	CUP, bearing (1-1/4" wide)(Used prior to tractor #13021)	
	70630345	4	CUP, bearing (1-3/4" wide)(Effective with tractor #13021)	
6	70051614	6	SHIM, bearing adjustment (.032" thick)	} Use as required
	70051615	6	SHIM, bearing adjustment (.010" thick)	
	70051616	6	SHIM, bearing adjustment (.007" thick)	
	70655548	8	SHIM, bearing adjustment (.003" thick)	
7	70622202	4	RETAINER, bearing	
8	70023465	24	CAPSCREW, 5/8"NF x 1-3/4"	
	70904209	24	LOCKWASHER, 5/8"	
9	70051959	4	SPRING ASSEMBLY, seal (Serviced only as a unit)	
10	70051629	4	□BOOT, seal	
11	70622197	4	□RING, seal, inner	
12	70051623	4	□RING, seal, outer	
13	70905357	4	□BALL, steel, 3/16" diam.	
14	70923822	4	□O-RING, seal ring	
15	70622199	4	RETAINER, seal follower	
16	70673043	2	BRACKET ASSEMBLY, left (Includes item 22)	
17	70051634	4	CAPSCREW, 3/4"NF x 5-3/4"	
18	70012767	4	NUT, high, 3/4"NF	
19	70673044	2	BRACKET ASSEMBLY, right (Includes item 22)	
20	70051634	4	CAPSCREW, 3/4"NF x 5-3/4"	
21	70012767	4	NUT, high, 3/4"NF	
22	70051647	4	PIN, dowel, idler bracket	
23	70637636	4	PLATE, guide	
24	70023465	24	CAPSCREW, 5/8"NF x 1-3/4"	
25	70051640	4	SHIM, guide plate (.062" thick. Use as required)	
	70051643	8	SHIM, guide plate (.031" thick. Use as required)	
26	70084997	2	GUARD left	} Not used with special solid-type idler
27	70035229	6	CAPSCREW, 5/8"NF x 2"	
	70904209	6	LOCKWASHER, 5/8"	
28	70084998	2	GUARD, right	
29	70035229	6	CAPSCREW, 5/8"NF x 2"	
	70904209	6	LOCKWASHER, 5/8"	
30	70033288	-	CEMENT, neoprene, 1/2 pint can	} For cementing seal boots and gaskets
31	70054890	-	SOLVENT, neoprene cement, 1/2 pint-can	
32	70622234	2	SEAL KIT (Includes parts for one (1) idler only; items 10 thru 14)	
			□Components of item 32	

(Revised August 1979)



T-33433

TRACK IDLER

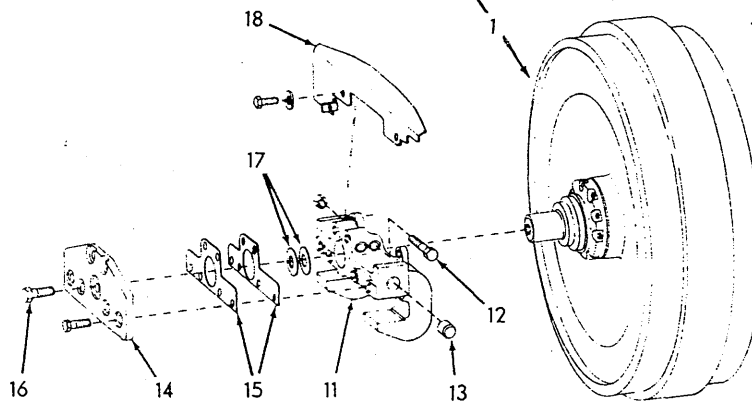
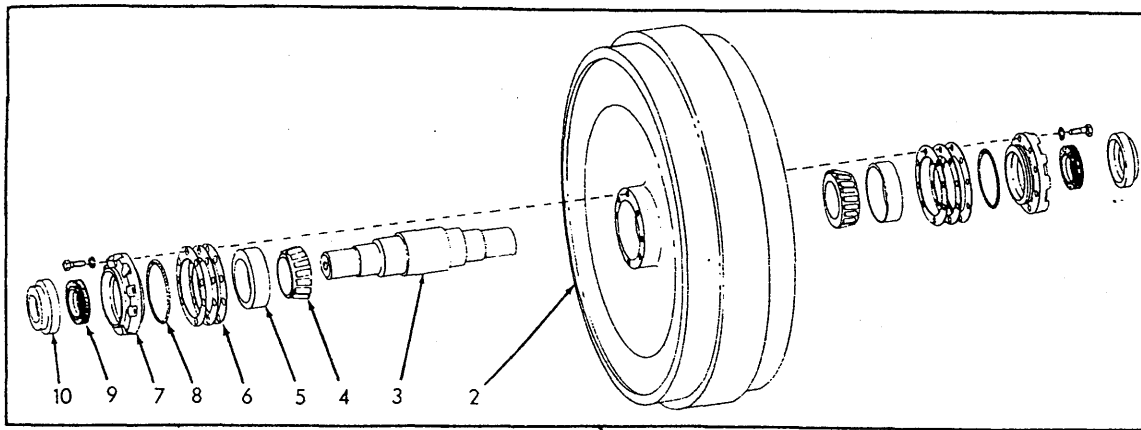
USAGE: Service replacement

ITEM	PART NO.	QTY.	DESCRIPTION	
1	70677388	2	IDLER ASSY., track (Solid-type)	} Order Idler Assy. 70691607
2	70622649	2	IDLER, only (Solid-type)	
3	70667379	2	SHAFT	
4	70076296	4	CONE ASSY., bearing	
5	70630345	4	CUP, bearing	
6	70051614	6	SHIM, bearing adjustment (.032" thick)	} Use as required
	70051615	6	SHIM, bearing adjustment (.010" thick)	
	70051616	6	SHIM, bearing adjustment (.007" thick)	
	70655548	8	SHIM, bearing adjustment (.003" thick)	
7	70622202	4	RETAINER, bearing	
	70916406	24	CAPSCREW, 5/8"NF x 1-3/4"	
	70904209	24	LOCKWASHER, 5/8"	
8	70051959	4	SPRING ASSY., seal (Serviced only as a unit)	
9	70051629	4	<input type="checkbox"/> BOOT, seal	
10	70622197	4	<input type="checkbox"/> RING, seal, inner	
11	70051623	4	<input type="checkbox"/> RING, seal, outer	
12	70905357	4	<input type="checkbox"/> BALL, steel, 3/16" diam.	
13	70923822	4	<input type="checkbox"/> O-RING, seal ring	
14	70622199	4	RETAINER, seal follower	
15	70673043	2	BRACKET ASSY., left (Includes item 21)	
16	70928133	4	CAPSCREW, 3/4"NF x 5-3/4"	
17	70012767	4	NUT, high, 3/4"NF	

TRACK IDLER (Continued)

ITEM	PART NO.	QTY.	DESCRIPTION	
18	70673044	2	BRACKET ASSY., right (Includes item 21)	
19	70928133	4	CAPSCREW, 3/4"NF x 5-3/4"	
20	70012767	4	NUT, high, 3/4"NF	
21	70051647	4	PIN, dowel, idler bracket	
22	70667236	4	PLATE, guide	
	70927529	24	CAPSCREW, 5/8"NF x 1-3/4"	
23	70667378	8	SHIM, guide plate (.062" thick. Use as required)	
	70667377	8	SHIM, guide plate (.031" thick. Use as required)	
24	70926566	4	CAPSCREW, idler adjustment (1"NF x 2")	
25	70667366	16	SHIM, idler adjustment (1/16" thick)	
	70667367	4	SHIM, idler adjustment (1/32" thick)	
26	70084997	2	GUARD, left	
27	70921168	6	CAPSCREW, 5/8"NF x 2"	} Not used with solid-type idler
	70677010	6	WASHER, plain	
28	70084998	2	GUARD, right	
29	70921168	6	CAPSCREW, 5/8"NF x 2"	
	70667010	6	WASHER, plain	
30	70033288	-	CEMENT, neoprene, 1/2 pint can	} For cementing seal boots & gaskets
31	70054890	-	SOLVENT, neoprene, 1/2 pint can	
32	70622234	2	SEAL KIT (Includes parts for one (1) idler only; items 9 thru 13)	

Components of item 32



T-75938

TRACK IDLER

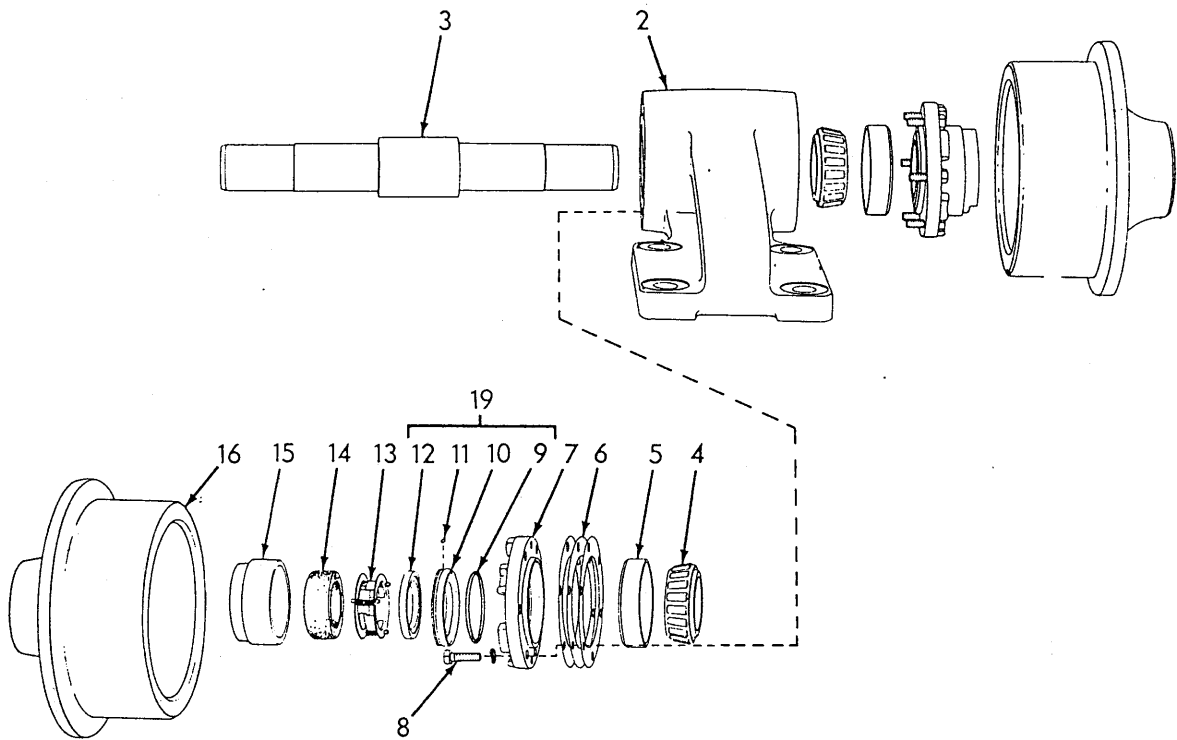
USAGE: Service replacement (Required with service replacement Chain Assy. 70691066)

ITEM	PART NO.	QTY.	DESCRIPTION
1	70691607	2	IDLER ASSY. (Includes items 2 thru 10)
2	70670062	2	IDLER, only
	70691604	2	IDLER, only
3	70670064	2	SHAFT
4	70051989	4	CONE ASSY.
5	70051988	4	CUP
6	70671629	6	SHIM (.032" thick)
	70671628	6	SHIM (.010" thick) Use as required
	70671627	6	SHIM (.007" thick)
	70671626	8	SHIM (.003" thick)
7	70670068	4	RETAINER
	70921535	24	CAPSCREW, 5/8"NC x 1-3/4"
	70912942	24	LOCKWASHER, 5/8"
8	70923594	4	O-RING
9	70653113	4	SEAL (See item 19)
10	70670066	4	RETAINER
11	70682823	4	BRACKET ASSY. (Includes item 13)
12	70921241	4	CAPSCREW 1"NC x 6"
	70923243	4	NUT, high, 1"NC

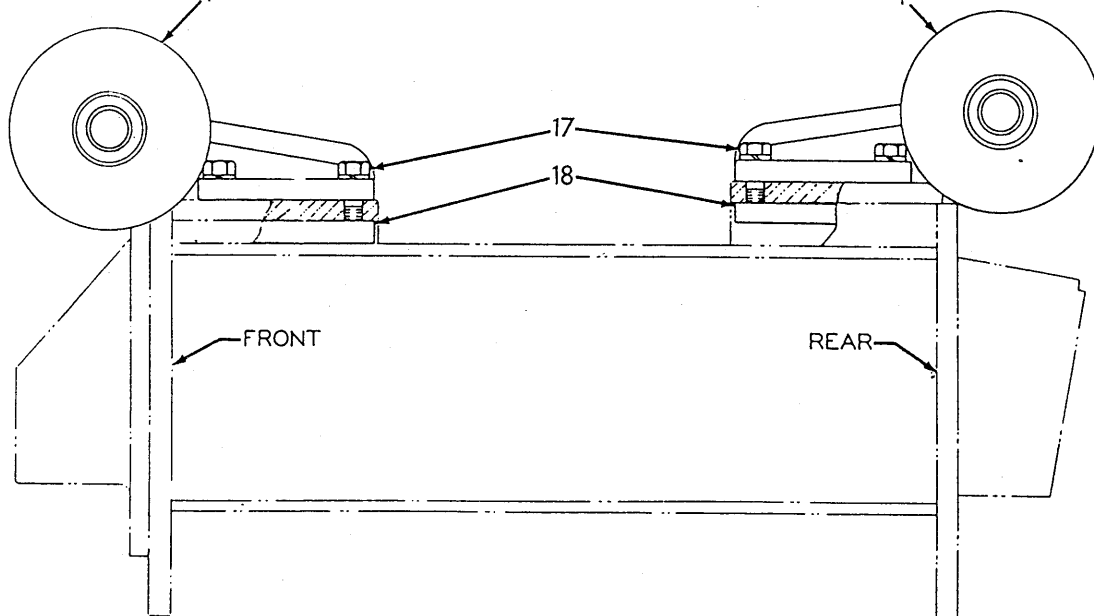
(Continued)

TRACK IDLER (Continued)

ITEM	PART NO.	QTY.	DESCRIPTION
13	70051647	8	PIN
14	70667236	4	PLATE
	70921535	24	CAPSCREW, 5/8"NC x 1-3/4"
15	70667378	8	SHIM (.062" thick)
	70667377	8	SHIM (.031" thick)
			} Use as required
16	70926566	4	CAPSCREW (1"NF x 2")
17	70667367	4	SHIM (.03" thick)
	70667366	16	SHIM (.06" thick)
			} Use as required
18	70686065	2	GUARD, left
	70686066	2	GUARD, right
			} Special equipment
	70921535	8	CAPSCREW, 5/8"NC x 1-3/4"
	70677010	8	WASHER
19	70699061	4	RING SET, seal (Includes 2 rubber sealing washers sufficient to service 1 Seal Assy.)(Not illustrated)



T-32087



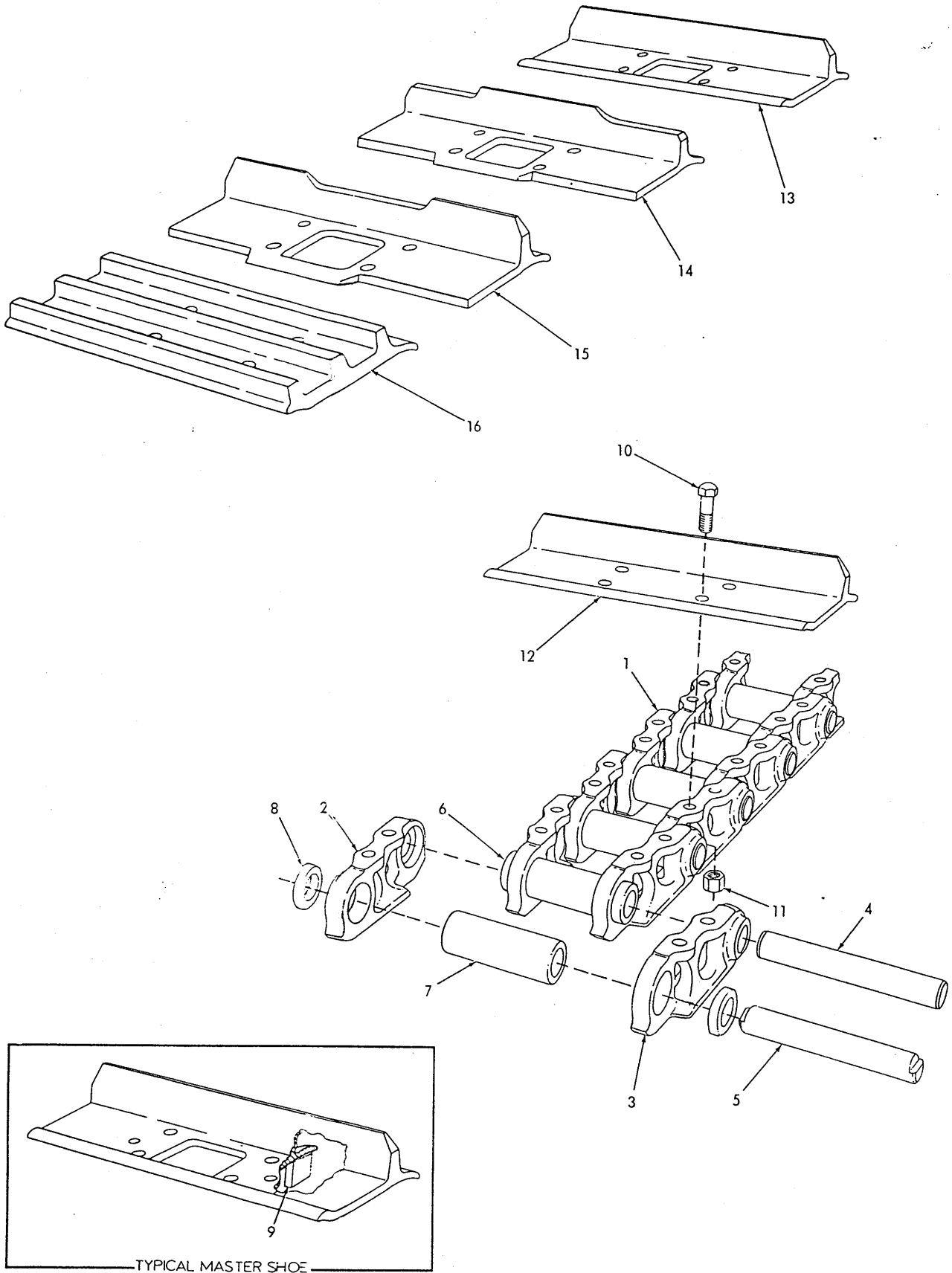
T-32088

TRACK CARRIER ROLLER

TRACK CARRIER ROLLER

ITEM	PART NO.	QTY.	DESCRIPTION
1	70 623825	4	ROLLER ASSEMBLY (Consists of items 2 thru 16)
2	70 623828	4	BRACKET
3	70 623827	4	SHAFT
4	70 043491	8	CONE ASSEMBLY, bearing
5	70 659149	8	CUP, bearing
6	70 655458	16	SHIM, bearing adjustment (.003" thick)
	70 073024	16	SHIM, bearing adjustment (.007" thick)
	70 073025	16	SHIM, bearing adjustment (.010" thick)
	70 073026	8	SHIM, bearing adjustment (.032" thick)
			} Use as required
7	70 073023	8	RETAINER, bearing
8	70 013058	48	CAPSCREW, 3/8"NC x 1-1/4"
	70 904206	48	LOCKWASHER, 3/8"
9	70 073029	8	□O-RING, seal packing
10	70 073027	8	□RING, seal, inner
11	70 905357	8	□BALL, steel, 3/16" diam.
12	70621283	8	□RING, seal, outer
13	70048666	8	SPRING ASSEMBLY, seal (Serviced only as a unit)
14	70048665	8	BOOT, seal spring
15	70 073634	8	RETAINER, seal
16	70 623829	8	ROLLER
17	70 012762	16	CAPSCREW, attaching (7/8"NF x 3-1/4")
	70 905347	16	LOCKWASHER, 7/8"
18	70 623826	8	BLOCK, tapped, attaching capscrews
19	70 078941	4	SEAL KIT (Includes parts for one (1) roller assembly only; items 9 thru 12)

□Components of item 19



TRACK (First type)

T-36246

TRACK

USAGE: Tractors prior to serial No. 13871

ITEM	PART NO.	QTY.	DESCRIPTION
1	-----	2	CHAIN ASSY. (40 links)(Order Chain Assy. 70691066 and Shoes from page 259D)
2	70 631389	78	BAR, left
	70 631395	2	BAR, master, left
3	70 631390	78	BAR, right
	70 631396	2	BAR, master, right
4	70 079601	78	PIN
5	70 629794	2	PIN, master
6	70 663083	78	BUSHING
7	70 645768	2	BUSHING, master
8	70 631397	4	SPACER, master bushing
9	70 630208	2	BLOCK KIT, master pin retaining (Each consists of 2 BLOCKS and welding instructions. Use to convert standard shoe to master shoe)
10	70 097056	320	BOLT, track shoe (2-5/8" long)
	70 097053	320	BOLT, track shoe (2-15/16" long)(For use with semi-grouser shoes only)
11	70 083544	320	NUT, track shoe bolt

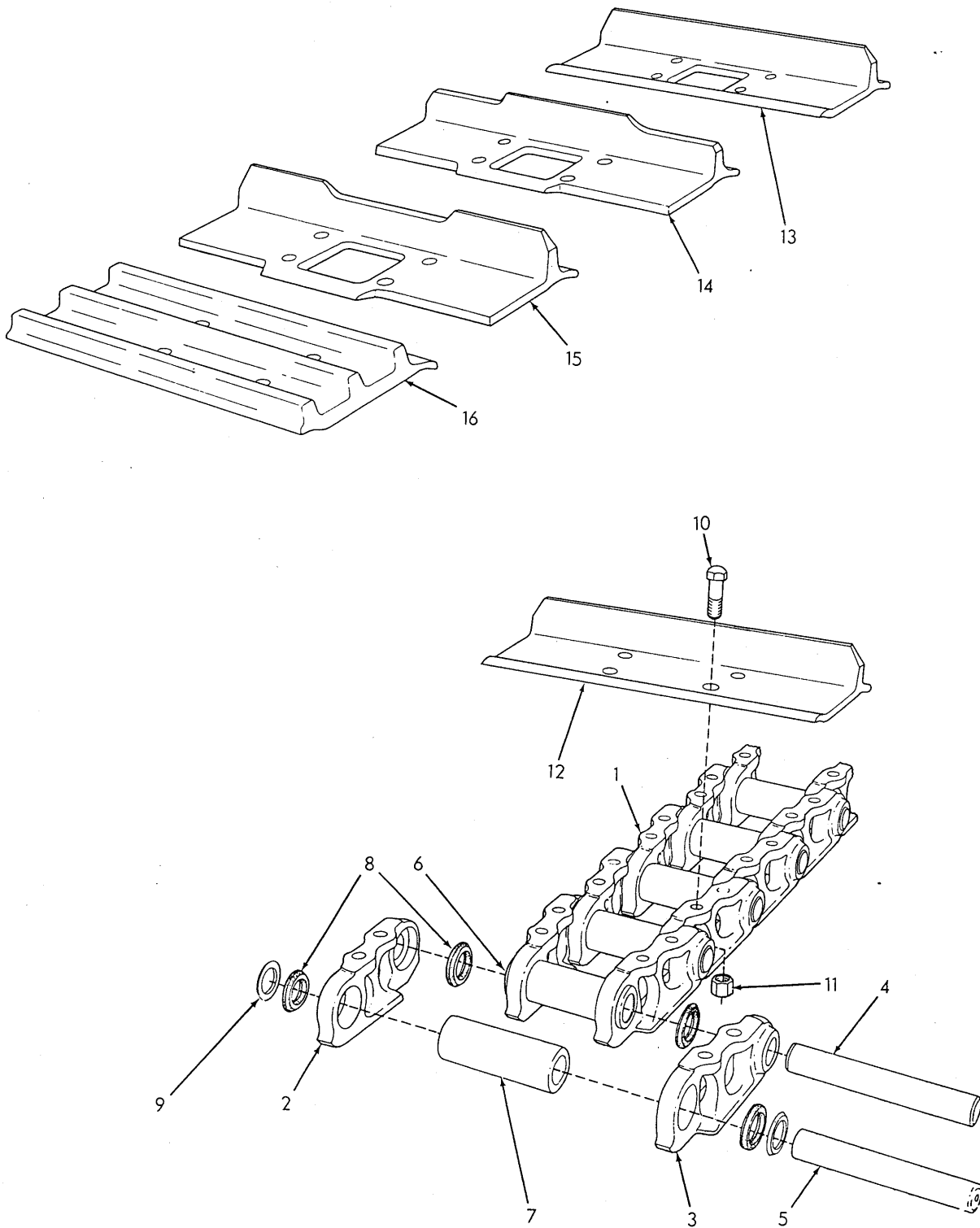
TRACK SHOES

NOTE: Each master shoe listed below includes item 9 as an installed component

	70 623469	78	SHOE, grouser, 22"
12	-----	2	SHOE, grouser, 22", master (Order SHOE 70623469 and item 9)
	70 623009	78	SHOE, grouser, 24"
	-----	2	SHOE, grouser, 24", master (Order Shoe 70623009 and item 9)
	70 623386	78	SHOE, grouser, 26"
	-----	2	SHOE, grouser, 26", master (Order Shoe 70623386 and item 9)
	70 623392	78	SHOE, grouser, 28"
	-----	2	SHOE, grouser, 28", master (Order SHOE 70623392 and item 9)
13	70 623289	78	SHOE, grouser, cut-out, 24"
	-----	2	SHOE, grouser, cut-out, 24", master (Order SHOE 70623289 and item 9)
14	70 623444	40	SHOE, grouser, snow and ice, single calk, cut-out, 24"
15	70 623418	38	SHOE, grouser, snow and ice, double calk, cut-out, 24"
	-----	2	SHOE, grouser, snow and ice, double calk, cut-out, 24" master (Order SHOE 70623418 and item 9)
16	70 090874	78	SHOE, semi-grouser, 24"
	-----	2	SHOE, semi-grouser, master, 24" (Order SHOE 70090874 and item 9)

NOTE: Complete TRACK ASSEMBLIES with SHOES are available only in the sealed-type as listed on the following pages.

(Revised August 1979)



TRACK (Second type)

T-71229

TRACK
(Sealed-type)

USAGE: Tractors serial No. 13871 thru 14942. (Original equipment)

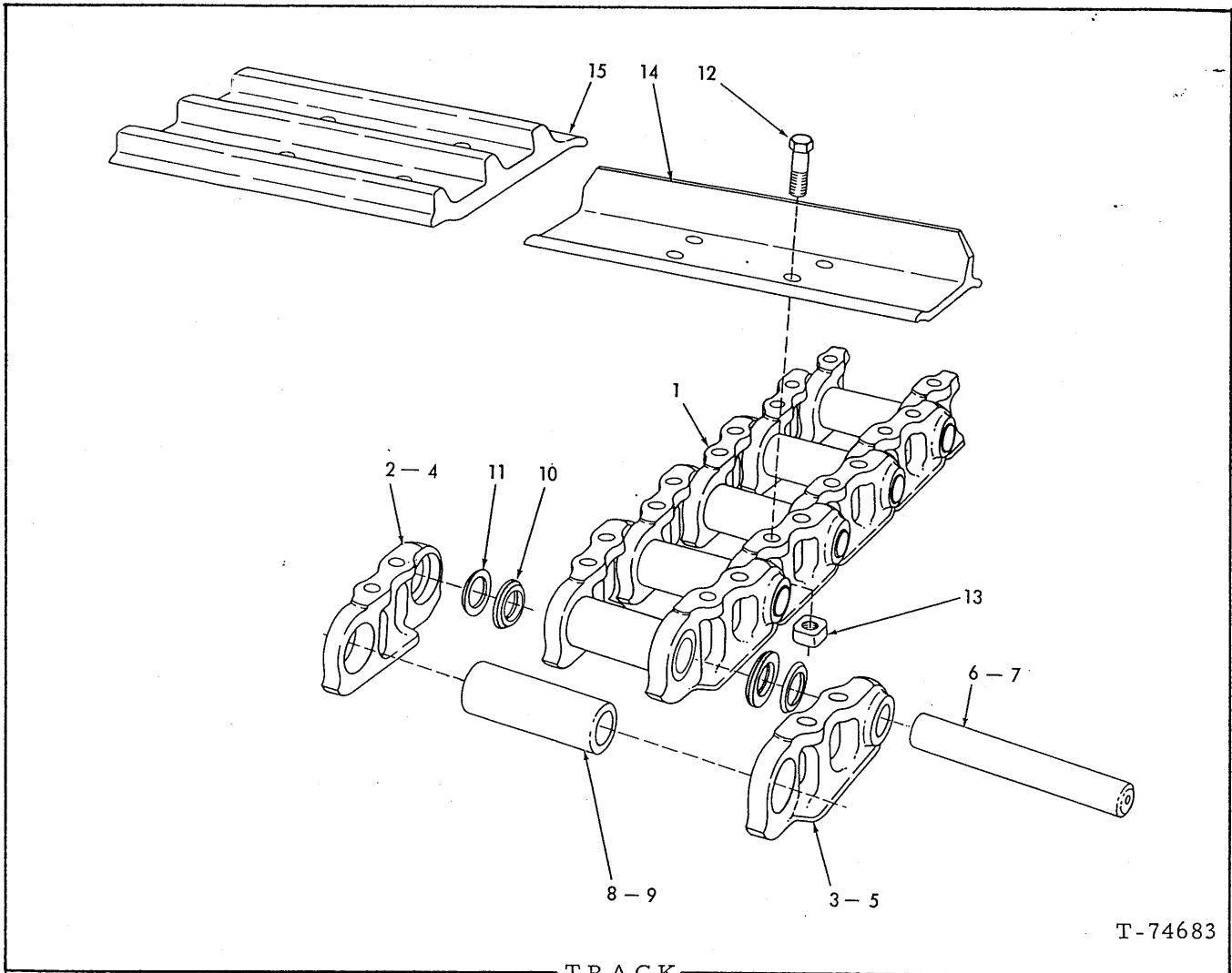
ITEM	PART NO.	QTY.	DESCRIPTION
1	70645921	2	CHAIN ASSY. (40 links)(Consists of items 2 thru 9)(Order Chain Assy. 70691066 and Shoes from page 259D)
2	70631389	80	BAR, left
3	70631390	80	BAR, right
4	70079601	78	PIN
5	70621294	2	PIN, master
6	70645783	78	BUSHING (8-5/16" long)
7	70645768	2	BUSHING, master (7-3/4" long)
8	70645784	160	SEAL
9	70648647	4	RING, spacing, master pin seal
10	70097056	320	BOLT, track shoe (2-5/8" long)
	70097053	320	BOLT, track shoe (2-15/16" long)(For use with semi-grouser shoes only)
	70655838	320	BOLT, track shoe (2-3/4" long)(For severe-service shoes only)
11	70083544	320	NUT, track shoe bolt
11A	70651370	-	LUBRICANT, track pin, 1 gal. can (Not illustrated)

TRACK SHOES

COMPLETE TRACK
ASSEMBLIES WITH
SHOES (2 Required)

12	70623469	80	SHOE, grouser, 22"-----70647463
	70664033	80	SHOE, grouser, 22"(Severe-service)-----70664035
	70623009	80	SHOE, grouser, 24"-----70645889
	70655837	80	SHOE, grouser, 24"(Severe-service)-----70655840
	70623386	80	SHOE, grouser, 26"-----70647466
	70664037	80	SHOE, grouser, 26"(Severe-service)-----70664039
	70623392	80	SHOE, grouser, 28"-----70647475
	70660801	80	SHOE, grouser, 28"(Severe-service)-----70660803
13	70623289	80	SHOE, grouser, cut-out, 24"
14	70623444	40	SHOE, grouser, snow and ice, single calk, cut-out, 24"
15	70623418	40	SHOE, grouser, snow and ice, double calk, cut-out, 24"
16	70090874	80	SHOE, semi-grouser, 24"-----70647460

NOTE: Complete TRACK ASSEMBLIES with SHOES are furnished only in sizes and types as listed. Assemblies other than those listed may be made up in the field by ordering the various components.



T-74683

TRACK
(Sealed-Type)

USAGE: Tractors serial No. 14943 and up (Original equipment)

* Tractors serial No. 14943 thru #15112
 ** Tractors serial No. 15113 and up

ITEM	PART NO.	QTY.		DESCRIPTION
		*	**	
1	70 662529	2	-	CHAIN ASSEMBLY (40 links)(Consists of items 2 thru 11)
	70 667299	-	2	CHAIN ASSEMBLY (40 links)(Consists of items 2 thru 8 and 10)
2	70 663207	78	-	LINK, left
	70 667263	-	78	LINK, left
3	70 663208	78	-	LINK, right
	70 667264	-	78	LINK, right
4	70 663449	2	-	LINK, master, left
	70 667435	-	2	LINK, master, left

(Continued)

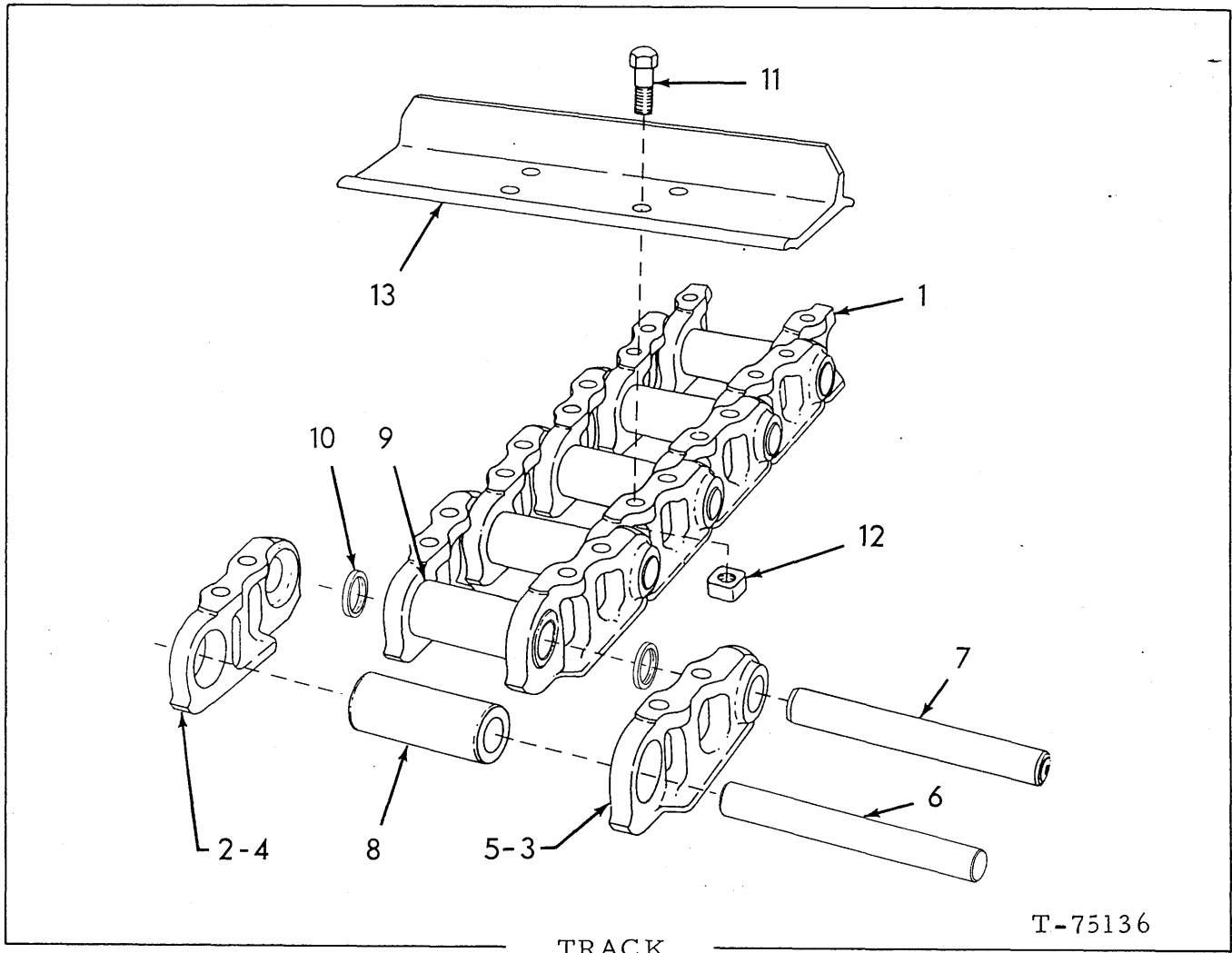
TRACK (Continued)
(Sealed-Type)

ITEM	PART NO.	QTY.		DESCRIPTION
		*	**	
5	70663450	2	-	LINK, master, right
	70667436	-	2	LINK, master, right
6	70663394	78	-	PIN,
	70079601	-	78	PIN
7	70663419	2	-	PIN, master
	70621294	-	2	PIN, master
8	70663383	78	-	BUSHING (8-5/16" long)
	70667292	-	80	BUSHING
9	70663384	2	-	BUSHING, master (7-3/4" long)
10	70663382	160	-	SEAL
	70667233	-	160	SEAL
11	70662896	4	-	RING, spacing, master pin seal
12	70097056	320	320	BOLT, track shoe (2-5/8" long)
	70097053	320	320	BOLT, track shoe (2-15/16" long)(For use with semi-grouser shoes only)
	70655838	320	320	BOLT, track shoe (2-3/4" long)(For severe-service shoes only)
13	70663466	320	320	NUT, track shoe bolt

TRACK SHOES

COMPLETE TRACK
ASSEMBLIES WITH
SHOES (2 Required)

				*	**
14	70663563	80	80	SHOE, grouser, 22" -----	
	70671682	80	80	SHOE, grouser, 22" (Severe-service)----	
	70663370	80	80	SHOE, grouser, 24" -----	70667300 70667300
	70671683	80	80	SHOE, grouser, 24" (Severe-service)----	70667340 70667340
	70663552	80	80	SHOE, grouser, 26" -----	70667328 70667328
	70671685	80	80	SHOE, grouser, 26" (Severe-service)----	
	70663548	80	80	SHOE, grouser, 28" -----	
	70671684	80	80	SHOE, grouser, 28" (Severe-service)----	70667343 70667343
15	70663596	80	80	SHOE, semi-grouser, 24"-----	



USAGE: Service replacement for tractors prior to serial No. 14943. Requires service replacement Idler 70691607 and one of the following options: A - Sprocket 70662274. B - An early style Sprocket which has been modified by installing Rim 70662275. C - Hub 70693694 and Segments 73111948.

ITEM	PART NO.	QTY.	DESCRIPTION
1	70691066	2	CHAIN ASSY. (39 links)(Consists of items 2 thru 10) (Quantities shown one for two Chain Assemblies)
2	70691619	78	LINK, left
3	70691620	78	LINK, right
4	70691621	2	LINK, master, left
5	70691622	2	LINK, master, right
6	70691056	78	PIN
7	70691033	2	PIN, master
8	70691071	78	BUSHING
9	70691074	2	BUSHING, master
10	73108992	4	SPACER, master

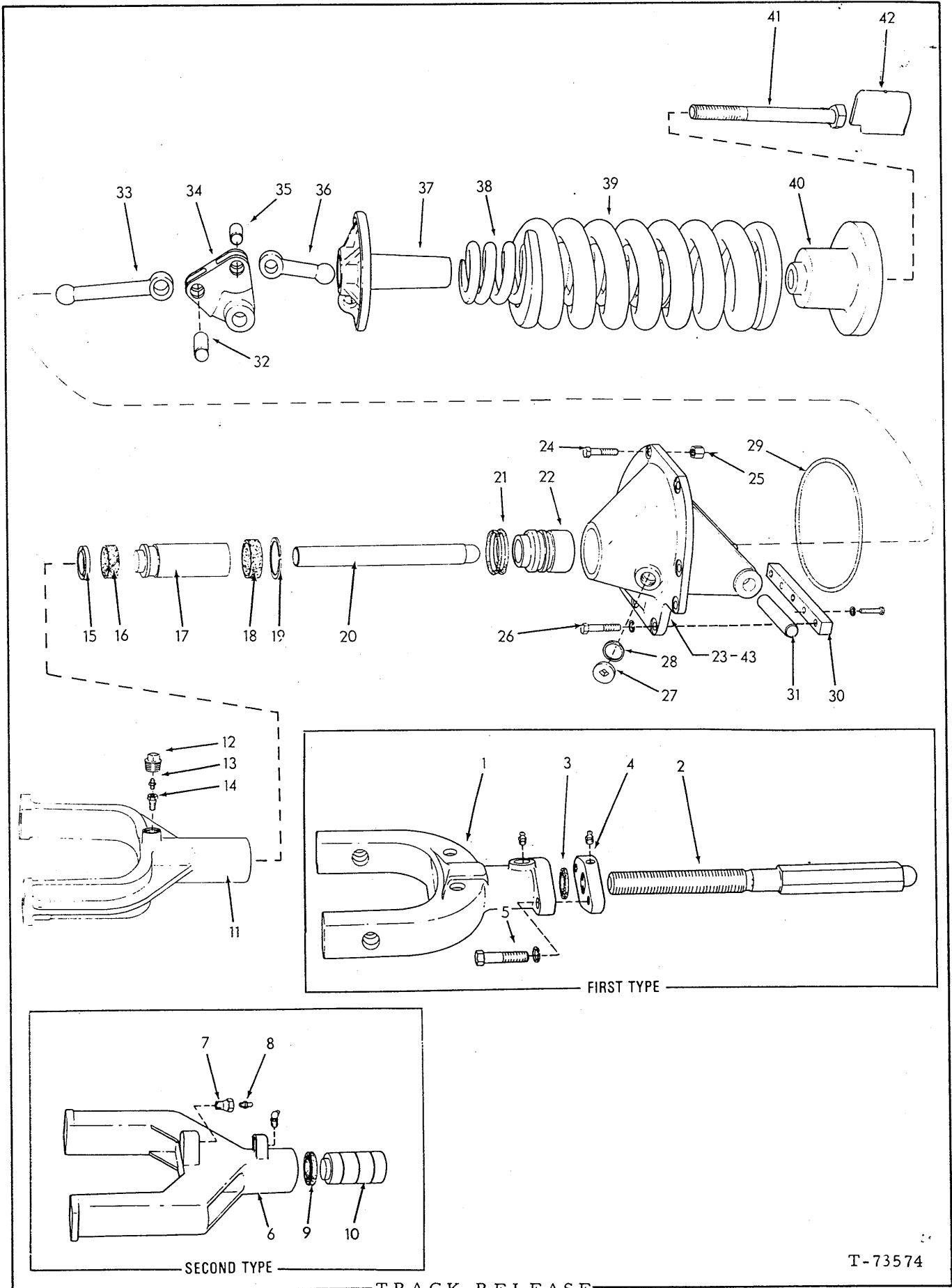
(Continued)

TRACK (Continued)

ITEM	PART NO.	QTY.	DESCRIPTION
F1	70097056	312	BOLT (2-5/8" long)
	70655838	312	BOLT (2-3/4" long)(Use with severe service shoes)
12	70663466	312	NUT

TRACK SHOES

13	70663563	78	SHOE, grouser, 22"
	70671682	78	SHOE, grouser, 22" (Severe-service)
	70663370	78	SHOE, grouser, 24"
	70671683	78	SHOE, grouser, 24" (Severe-service)
	70663552	78	SHOE, grouser, 26"
	70671685	78	SHOE, grouser, 26" (Severe-service)
	73108069	78	SHOE, grouser, 28" (Special severe-service)
14	75000528	-	UNDERCARRIAGE MEASURING KIT (Includes all tools required to determine remaining life of undercarriage components)(Not illustrated)



T-73574

TRACK RELEASE

* Mechanical adjustment. Standard on tractors prior to S/N 14165.

** Mechanical adjustment. Standard on tractors S/N 14165 thru 14604.

Δ Hydraulic adjustment. Standard on tractors S/N 14605 thru 15074.

ΔΔ Hydraulic adjustment. Standard on tractors S/N 15075 and up.

ITEM	PART NO.	QUANTITY				DESCRIPTION
		*	**	Δ	ΔΔ	
1	70086922	2	2	-	-	YOKE
	70914465	2	2	-	-	FITTING, lubricating, straight, 1/8"NPT
2	70073063	2	2	-	-	SCREW, adjustment
3	70066066	2	2	-	-	SEAL, protecting, adjustment screw threads (rubber)
4	70051787	2	2	-	-	LOCK, adjustment screw
	70914465	2	2	-	-	FITTING, lubricating, straight, 1/8"NPT
5	70012586	4	4	-	-	CAPSCREW, 1"NF x 3-1/2"
	70910916	4	4	-	-	LOCKWASHER, 1"
6	70624208	-	-	2	-	YOKE ASSEMBLY (Includes items 7 thru 10 and FITTING indented below)
	70915275	-	-	2	-	FITTING, lubricating, 65°, 1/8"NPT
7	70628915	-	-	2	-	VALVE ASSEMBLY, relief (Serviced only as a unit)
8	70666407	-	-	2	-	FITTING, pressurizing
9	70628914	-	-	2	-	SEAL, piston
10	70628913	-	-	2	-	PISTON, adjusting
11	70665110	-	-	-	2	YOKE ASSEMBLY (Includes item 12 thru 19)
12	70666367	-	-	-	2	PLUG, yoke
13	70666407	-	-	-	2	FITTING, pressurizing
14	70628915	-	-	-	2	VALVE ASSEMBLY, check (Serviced only as a unit)
15	70628914	-	-	-	2	SEAL, piston
16	70665114	-	-	-	2	RING, wear, adjusting piston
17	70665113	-	-	-	2	PISTON, adjusting
18	70665115	-	-	-	2	RING, wear, release yoke
19	703045326	-	-	-	2	RING, snap
20	70628163	-	-	2	-	BAR, push (25-1/2" long)(Tractors prior to #14943)
	70666098	-	-	2	-	BAR, push (24-3/4" long)(Tractors #14943 thru #15074)
	70666597	-	-	-	2	BAR, push (21-1/4" long)
21	70923831	4	4	4	4	O-RING, crosshead
22	70621204	2	2	2	2	CROSSHEAD

(Continued)

(Revised October 1968)

TRACK RELEASE (Continued)

ITEM	PART NO.	QUANTITY				DESCRIPTION
		*	**	△	△△	
23	-----	2	-	-	-	GUIDE, crosshead (Order item 43)
	70 649761	-	2	2	2	GUIDE, crosshead
24	70 012984	12	12	12	12	CAPSCREW, 3/4"NF x 2-3/4"
25	70 012767	12	12	12	12	NUT, high, 3/4"NF
26	70 012526	6	6	6	6	CAPSCREW, 3/4"NF x 3"
	70 904369	6	6	6	6	LOCKWASHER, 3/4"
27	70 035250	4	4	4	4	PLUG, crosshead guide filling hole
28	70 035249	4	4	4	4	GASKET, crosshead guide filling hole plug
29	70 051786	2	2	2	2	GASKET, crosshead guide
30	70 051812	2	2	2	2	BLOCK, tapped, crosshead guide mounting
	70 035712	4	4	4	4	CAPSCREW, 1/2"NC x 2-1/4"
	70 904208	4	4	4	4	LOCKWASHER, 1/2"
31	70 051799	2	2	2	2	PIN, bellcrank pivot
32	70 051798	2	-	-	-	PIN, front push rod (1-1/4" diam.)
	70 649763	-	2	2	2	PIN, front push rod (1-11/32" diam.)
33	70 051797	2	-	-	-	ROD, push, front
	70 649765	-	2	2	2	ROD, push, front
34	70 066062	2	-	-	-	BELLCRANK
	70 649762	-	2	2	2	BELLCRANK
35	70 051798	2	-	-	-	PIN, rear push rod (1-1/4" diam.)
	70 649763	-	2	2	2	PIN, rear push rod (1-11/32" diam.)
36	70 051796	2	-	-	-	ROD, push, rear
	70 649764	-	2	2	2	ROD, push, rear
37	70 051790	2	2	2	2	PLUNGER, spring
38	70 059179	2	2	2	2	SPRING, inner
39	70 051800	2	2	2	2	SPRING, outer
40	70 095529	2	2	2	2	SEAT, spring
41	70 064819	2	2	2	2	CAPSCREW, spring adjustment
42	70 051795	2	2	2	2	LOCK, spring adjustment capscrew
43	70 649766	-	2	2	2	GUIDE ASSEMBLY, crosshead (Consists of items 23 and 31 thru 36)

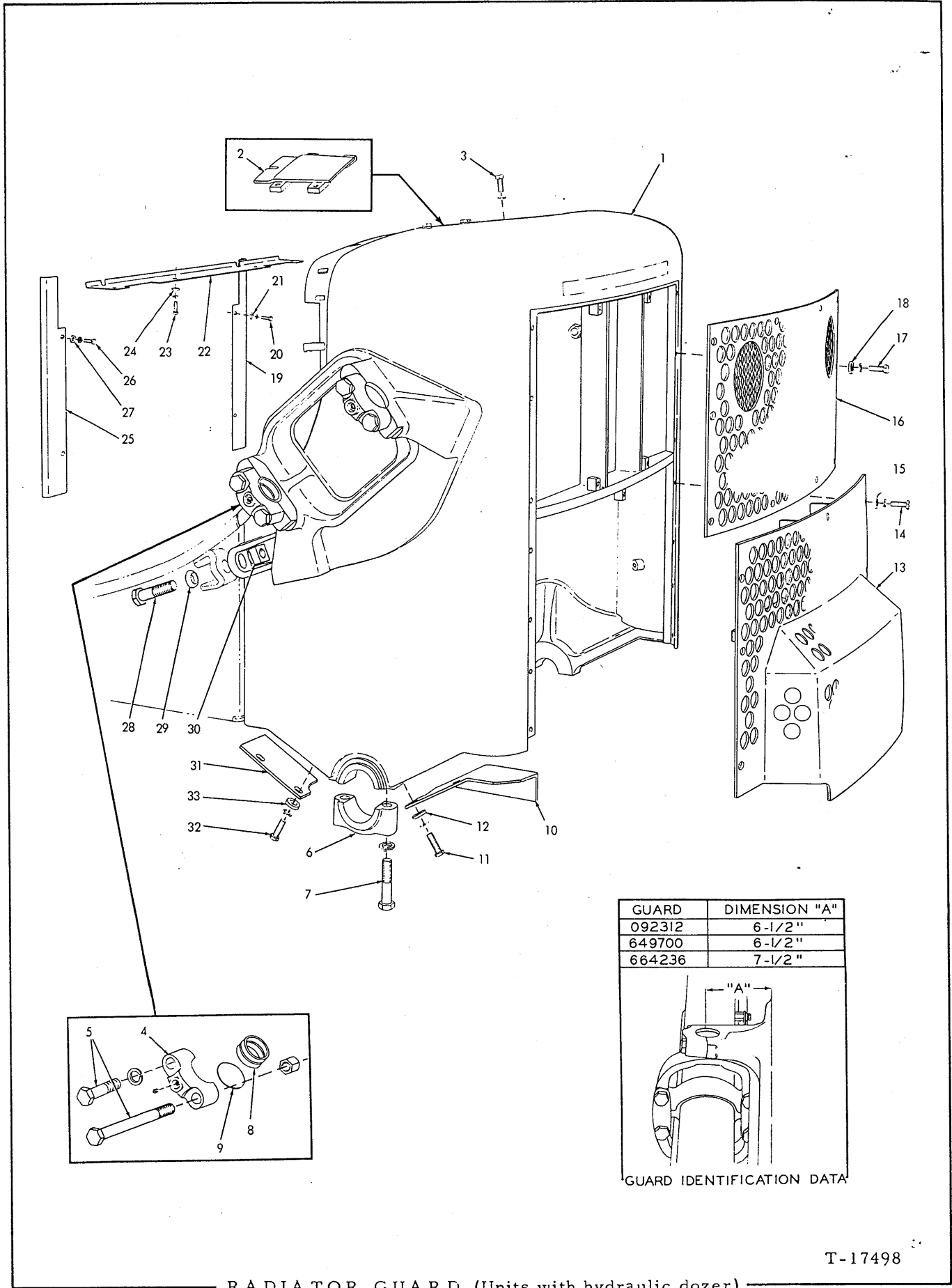
(Revised October 1968)

RADIATOR GUARD

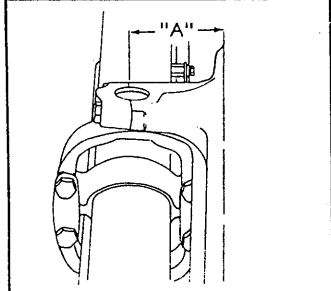
USAGE: Units with hydraulic dozer

ITEM	PART NO.	QTY.	DESCRIPTION	
1	70092312	1	GUARD ASSEMBLY (Used prior to June 15, 1965. For dozer cylinders with 39-1/2" stroke)	} Each includes items 2 thru 8. See illustration for identifying feature.
	70649700	1	GUARD ASSEMBLY (Used June 15, 1965 thru Sept. 1967 For dozer cylinders with 48" stroke)	
	70664236	1	GUARD ASSEMBLY (Effective Oct. 1967)	
2	70084189	1	PLATE, top closure	
3	70070590	4	CAPSCREW, 5/8"NF x 1-1/8"	
	70904209	4	LOCKWASHER, 5/8"	
4	70085140	4	CAP, trunnion	
5	70914465	4	FITTING, lubricating, straight, 1/8"NPT	} Tractors prior to #14755
	70070861	8	CAPSCREW, 1"NF x 10-1/2"	
	70600236	8	NUT, high, 1"NF	} Tractors #14755 thru 14824 only
	70664123	8	STUD, 1"NF x 13-1/2"	
	70600236	16	NUT, high, 1"NF	} Tractor #14825 and up
	70036546	4	CAPSCREW, 1"NF x 4-1/4"	
	70910916	4	LOCKWASHER, 1"	
	70656325	4	CAPSCREW, 1"NF x 11-3/4"	
70600236	4	NUT, high, 1"NF		
6	70085186	2	CAP, guard pivot	
7	70038203	4	CAPSCREW, 1"NF x 4-1/2"	
	70910916	4	LOCKWASHER, 1"	
8	70084581	4	BUSHING, trunnion	
9	70084612	4	PLATE, retaining, trunnion bushing	
10	70632461	1	COVER, bottom closure, left front	
	70632462	1	COVER, bottom closure, right front	
11	70035229	4	CAPSCREW, 5/8"NF x 2"	
12	70904209	4	LOCKWASHER, 5/8"	
	70064810	4	WASHER, plain	
13	70093167	1	PLATE, front closure, lower	
14	70036707	7	CAPSCREW, 5/8"NC 1-3/4"	
	70904209	7	LOCKWASHER, 5/8"	
15	70064810	7	WASHER, plain	
16	70093165	1	PLATE, front closure, upper	
17	70036707	10	CAPSCREW, 5/8"NC x 1-3/4"	
	70904209	10	LOCKWASHER, 5/8"	
18	70064810	10	WASHER, plain	
19	70093007	1	BAFFLE, air, left side	
20	70040382	2	CAPSCREW, 3/8"NC x 1-3/8"	
	70904206	2	LOCKWASHER, 3/8"	
21	70044973	2	WASHER, plain	

(Continued)



GUARD	DIMENSION "A"
092312	6-1/2"
649700	6-1/2"
664236	7-1/2"



GUARD IDENTIFICATION DATA

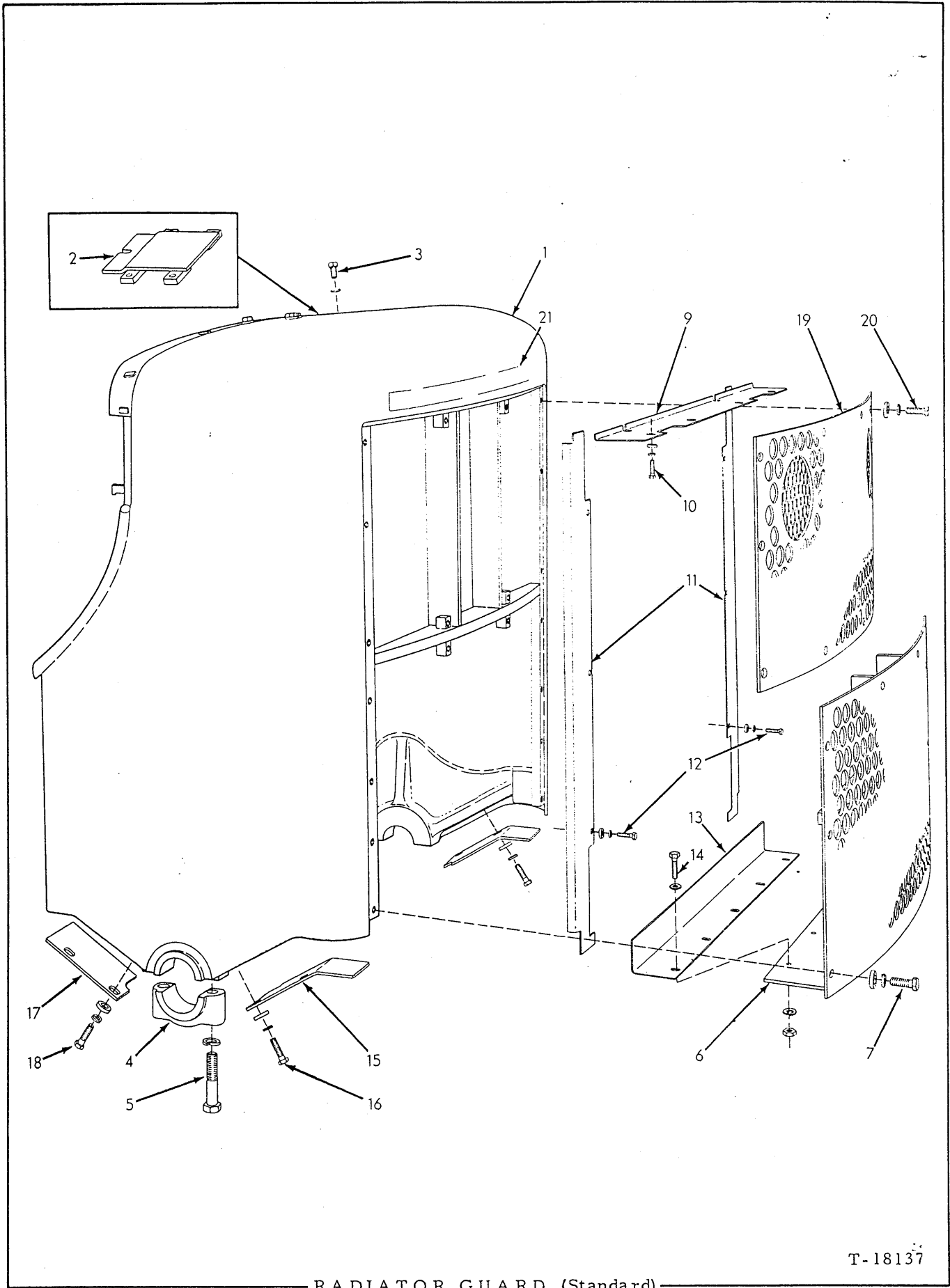
RADIATOR GUARD (Units with hydraulic dozer)

T-17498

RADIATOR GUARD (Continued)

ITEM	PART NO.	QTY.	DESCRIPTION
22	70 093220	1	BAFFLE, air, upper
23	70 012992	4	CAPSCREW, 3/8"NF x 1-1/4"
	70 904206	4	LOCKWASHER, 3/8"
24	70 044973	4	WASHER, plain
25	70 093008	1	BAFFLE, air, right side
26	70 040382	2	CAPSCREW, 3/8"NC x 1-3/8"
	70 904206	2	LOCKWASHER, 3/8"
27	70 044973	2	WASHER, plain
28	70 089231	2	CAPSCREW, guard supporting
29	70 089229	2	WASHER, spherical
30	70 089230	2	NUT, spherical, square, 1-1/8"NF
31	70 632392	2	PLATE, bottom closure, rear
32	70 035229	4	CAPSCREW, 5/8"NF x 2"
	70 904209	4	LOCKWASHER, 5/8"
33	70 064810	4	WASHER, plain

NOTE: See PAINTING AND MARKING for transfers



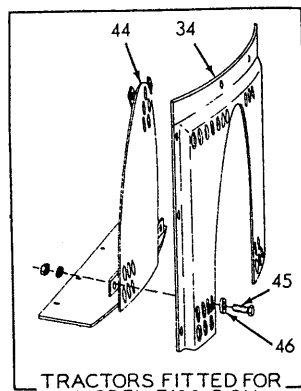
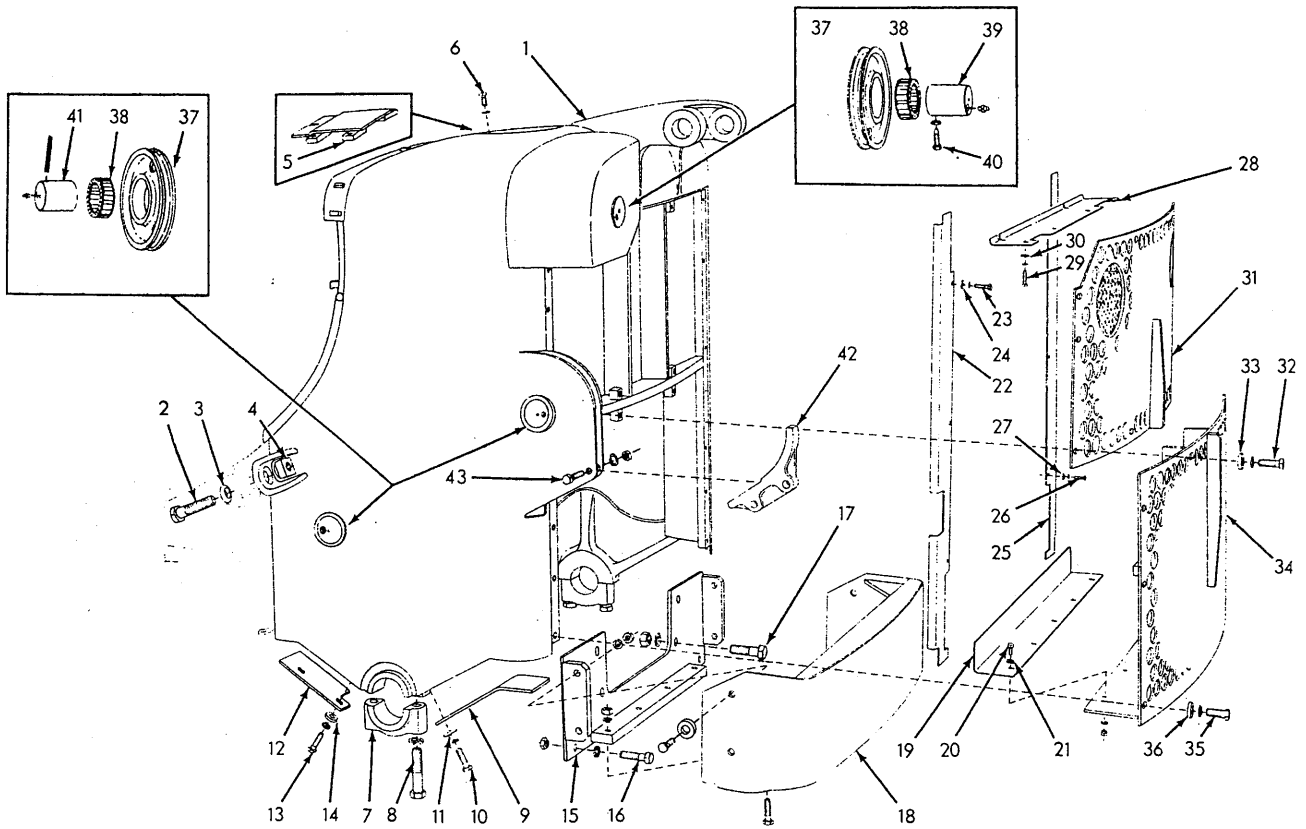
RADIATOR GUARD (Standard)

T-18137

RADIATOR GUARD

USAGE: Standard Equipment

ITEM	PART NO.	QTY.	DESCRIPTION
1	70093193	1	GUARD ASSEMBLY, radiator (Includes items 2 thru 5)
2	70084189	1	PLATE, top closure
3	70070590	4	CAPSCREW, 5/8"NF x 1-1/8"
	70904209	4	LOCKWASHER, 5/8"
4	70085186	2	CAP, guard pivot
5	70038203	4	CAPSCREW, 1"NF x 4-1/2"
	70910916	4	LOCKWASHER, 1"
6	70093189	1	PLATE, front closure, lower (Also see FRONT PUSHER for special plate)
7	70036707	8	CAPSCREW, 5/8"NC x 1-3/4"
	70904209	8	LOCKWASHER, 5/8"
	70064810	8	WASHER, plain
9	70093219	1	BAFFLE, air, upper
10	70012992	4	CAPSCREW, 3/8"NF x 1-1/4"
	70904206	4	LOCKWASHER, 3/8"
	70044973	4	WASHER, plain
11	70084323	1	BAFFLE, air, left side
	70084324	1	BAFFLE, air, right side
12	70040382	6	CAPSCREW, 3/8"NC x 1-3/8"
	70904206	6	LOCKWASHER, 3/8"
	70044973	6	WASHER, plain
13	70084492	1	BAFFLE, air, lower (Also see FRONT PUSHER for special baffle)
14	70036034	5	CAPSCREW, 3/8"NF x 1"
	70044973	5	WASHER, plain
	70904206	5	LOCKWASHER, 3/8"
	70911041	5	NUT, 3/8"NF
15	70632393	1	PLATE, bottom front closure, left side
	70632394	1	PLATE, bottom front closure, right side
16	70035229	4	CAPSCREW, 5/8"NF x 2"
	70904209	4	LOCKWASHER, 5/8"
	70064810	4	WASHER, plain
17	70632392	2	PLATE, bottom closure, rear
18	70035229	4	CAPSCREW, 5/8"NF x 2"
	70904209	4	LOCKWASHER, 5/8"
	70064810	4	WASHER, plain
19	70093165	1	PLATE, front closure, upper
20	70036707	10	CAPSCREW, 5/8"NC x 1-3/4"
	70904209	10	LOCKWASHER, 5/8"
	70064810	10	WASHER, plain
21	-----	1	TRANSFER (See PAINTING AND MARKING)



TRACTORS FITTED FOR
MODEL F100 C.C.U.

RADIATOR GUARD (Units with cable dozer)

T-18081

RADIATOR GUARD

USAGE: Units with cable dozer

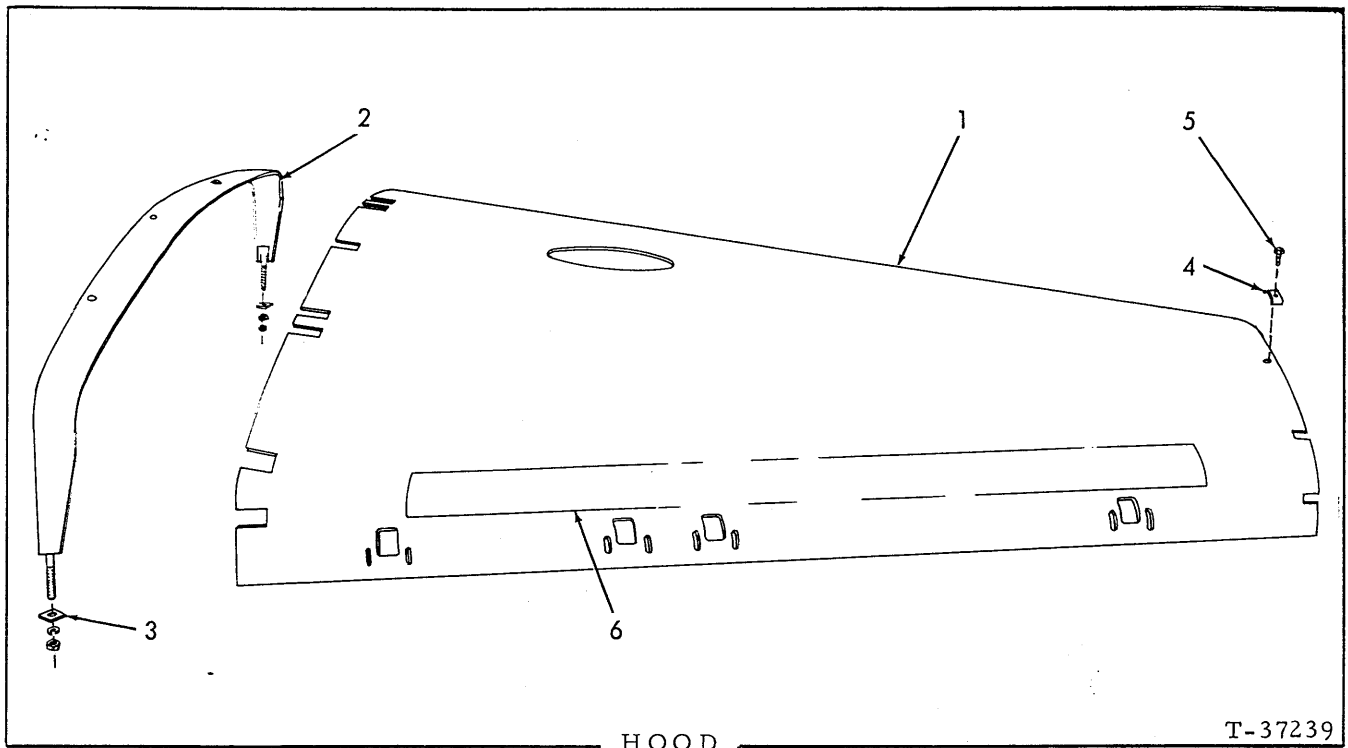
* Used with rear-mounted cable control unit
** Used with front-mounted cable control unit

ITEM	PART NO.	QTY.		DESCRIPTION	
		*	**		
1	70 620599	1	1	GUARD ASSEMBLY, radiator (Includes items 5 thru 8)	
2	70 089231	2	2	CAPSCREW, guard supporting (1-1/8"NF x 4-1/2")	
3	70 089229	2	2	WASHER, spherical	
4	70 089230	2	2	NUT, spherical, square, 1-1/8"NF	
5	70 084189	1	1	PLATE, top closure	
6	70 070590	4	4	CAPSCREW, 5/8"NF x 1-1/8"	
	70 904209	4	4	LOCKWASHER, 5/8"	
7	70 085186	2	2	CAP, guard pivot	
8	70 038203	4	4	CAPSCREW, 1"NF x 4-1/2"	
	70 910916	4	4	LOCKWASHER, 1"	
9	70 632393	1	-	PLATE, bottom front closure, left side	
	70 632394	1	-	PLATE, bottom front closure, right side	
	70 093721	-	1	PLATE, bottom front closure, left side	
	70 093722	-	1	PLATE, bottom front closure, right side	
10	70 035229	4	4	CAPSCREW, 5/8"NF x 2"	
	70 904209	4	4	LOCKWASHER, 5/8"	
11	70 064810	4	4	WASHER, plain	
12	70 632392	2	2	PLATE, bottom closure, rear	
13	70 035229	4	4	CAPSCREW, 5/8"NF x 2"	
	70 904209	4	4	LOCKWASHER, 5/8"	
14	70 064810	4	4	WASHER, plain	
15	70 609406	1	-	ADAPTER, lower guard	
16	70 012526	2	-	CAPSCREW, 3/4"NF x 3-1/4"	} Used prior to tractor #13336
	70 904369	2	-	LOCKWASHER, 3/4"	
	70 911045	2	-	NUT, 3/4"NF	} Effective with tractor #13336
	70 012453	2	-	CAPSCREW, 3/4"NF x 2-1/2"	
	70 904369	2	-	LOCKWASHER, 3/4"	
17	70 035420	4	-	CAPSCREW, 1"NF x 3-1/4"	
	70 910916	4	-	LOCKWASHER, 1"	
	70 911047	4	-	NUT, 1"NF	
18	70 609408	1	-	GUARD, lower section	
	70 037573	8	-	CAPSCREW, 5/8"NC x 2-3/4"	
	70 904209	8	-	LOCKWASHER, 5/8"	
	70 911029	8	-	NUT, 5/8"NC	
	70 064810	4	-	WASHER, plain	
19	70084492	1	-	BAFFLE, air, lower (See FRONT PUSHER for special baffle)	
20	70036034	5	-	CAPSCREW, 3/8"NF x 1"	
21	70044973	5	-	WASHER, plain	
	70904206	5	-	LOCKWASHER, 3/8"	
	70911041	5	-	NUT, 3/8"NF	
22	70084759	1	1	BAFFLE, air, right side	
23	70040382	3	3	CAPSCREW, 3/8"NC x 1-3/8"	
	70904206	3	3	LOCKWASHER, 3/8"	
24	70 044973	3	3	WASHER, plain	

(Continued)

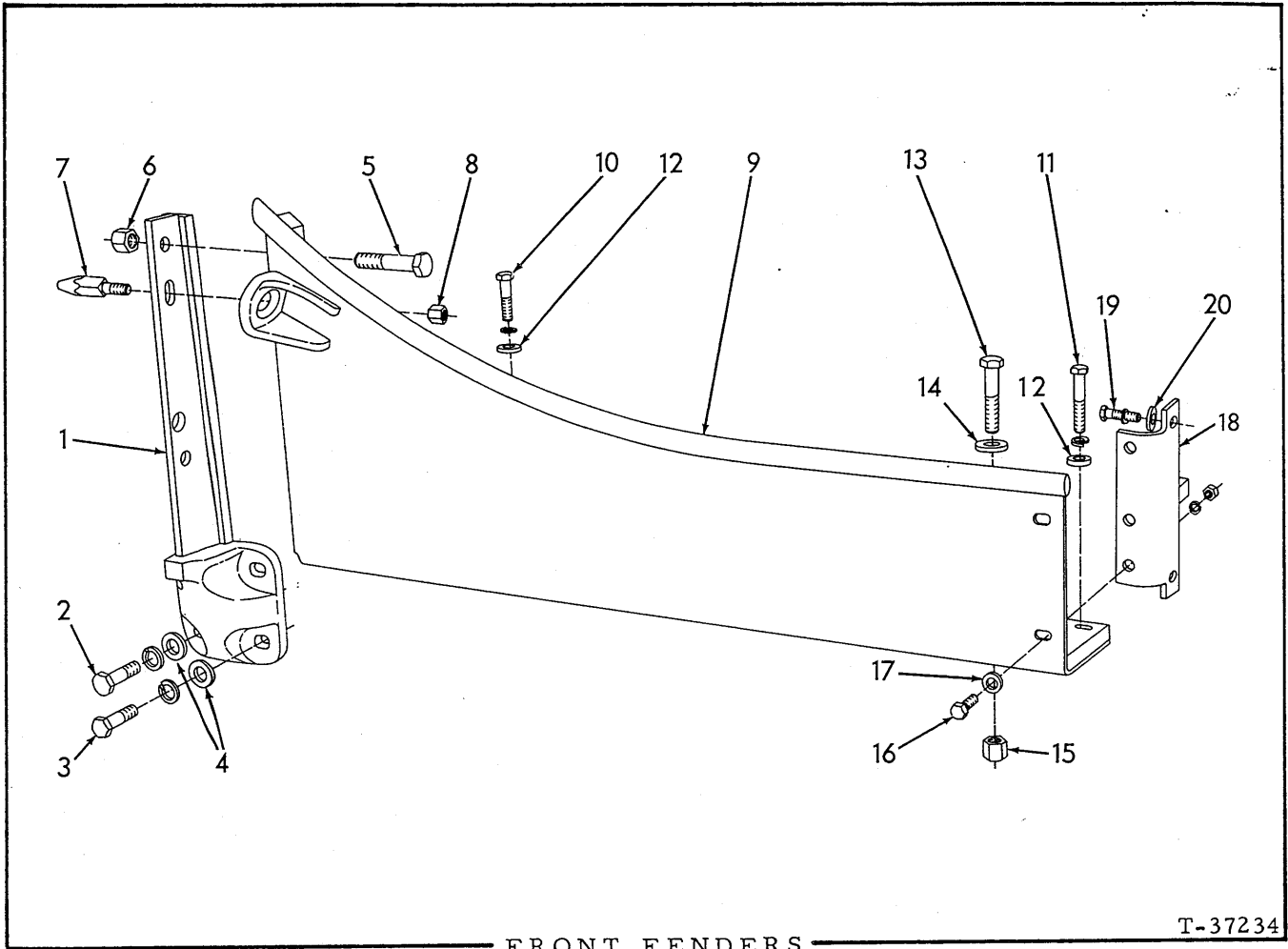
RADIATOR GUARD (Continued)

ITEM	PART NO.	QTY.		DESCRIPTION
		*	**	
25	70084323	1	1	BAFFLE, air, left side
26	70040382	3	3	CAPSCREW, 5/8"NC x 1-3/8"
	70904206	3	3	LOCKWASHER, 3/8"
27	70044973	3	3	WASHER, plain
28	70093220	1	1	BAFFLE, air, upper
29	70012992	4	4	CAPSCREW, 5/8"NF x 1-1/4"
	70904206	4	4	LOCKWASHER, 5/8"
30	70044973	4	4	WASHER, plain
31	70093262	1	1	PLATE, front closure, upper
	70648924	-	1	PLATE, front closure, upper (Optional. Includes brush screen)
32	70036707	10	10	CAPSCREW, 5/8"NC x 1-3/4"
	70904209	10	10	LOCKWASHER, 5/8"
33	70064810	10	10	WASHER, plain
34	70093263	1	-	PLATE, front closure, lower (See FRONT PUSHER for special plate)
	70620483	-	1	PLATE, front closure, lower
	70648925	-	1	PLATE, front closure, lower (Optional. Includes brush screen)
35	70036707	8	6	CAPSCREW, 5/8"NC x 1-3/4"
	70904209	8	6	LOCKWASHER, 5/8"
36	70064810	8	6	WASHER, plain
37	70084758	3	1	SHEAVE, control cable
38	70044875	3	1	BEARING, roller, cable sheave
39	70084757	1	1	SHAFT, front sheave
	70914465	1	1	FITTING, lubricating, straight, 1/8"NPT
40	70035188	1	1	SETSCREW, shaft retaining
	70911035	1	1	NUT, jam, 1/2"NC
41	70084384	2	-	SHAFT, side sheaves
	70917936	2	-	PIN, roll, 3/8" x 3-1/2"
	70914465	2	-	FITTING, lubricating, straight, 1/8"NPT
	70093043	-	2	CUP, hole closure
	70917936	-	2	PIN, roll, 3/8" x 3-1/2"
42	70084694	1	-	GUIDE, cable
	70085058	-	1	GUIDE, false (Serves as sheave compartment dirt closure)
43	70035306	2	2	CAPSCREW, 5/8"NF x 3-1/4"
	70904209	2	2	LOCKWASHER, 5/8"
	70911044	2	-	NUT, 5/8"NF
	70094455	-	1	BLOCK, tapped
44	70620751	-	1	PLATE, closure (For use only when control unit is removed)
45	70036707	-	4	CAPSCREW, 5/8"NC x 1-3/4"
46	70086961	-	4	WASHER, plain
	70904209	-	4	LOCKWASHER, 5/8"
	70911029	-	4	NUT, 5/8"NC



* Tractors prior to serial No. 14052
 ** Tractors serial No. 14052 and up

ITEM	PART NO.	QTY.		DESCRIPTION
		*	**	
1	70629920	1	-	HOOD, engine
	70650662	-	1	HOOD, engine
	70657580	-	1	HOOD, engine (For units equipped with special oil-bath air cleaner)
2	70090877	1	1	STRAP, hold-down, front (Standard equipment. Not for units with hydraulic dozer)
	70094053	1	1	STRAP, hold-down, front (For units with hydraulic dozer)
3	70044973	2	2	WASHER, plain (round)(For STRAP 70090877)
	70052505	2	2	BLOCK (square)(For STRAP 70094053)
	70904206	2	2	LOCKWASHER, 3/8"
	70911026	2	2	NUT, 3/8"NC
4	70624416	5	4	CLIP, hood retaining
5	70623820	5	-	CAPSCREW, Nylok, 1/2"NF x 1" (Early units)
	70648294	5	4	CAPSCREW, Nylok, 1/2"NC x 1" (Late units)
6	-----	2	2	TRANSFER (See PAINTING AND MARKING)



FRONT FENDERS

T-37234

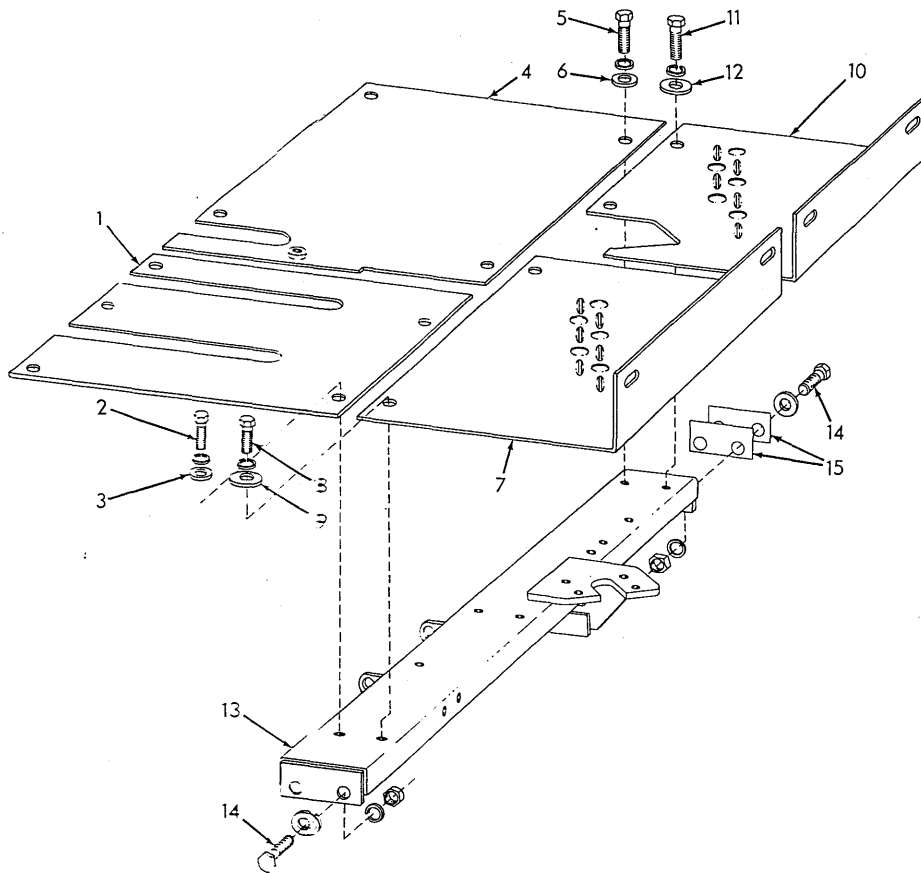
ITEM PART NO. QTY. DESCRIPTION

1	70 629636	2	BRACKET, fender attachment	
2	70 053983	4	CAPSCREW, 3/4"NF x 8-1/2" } Used prior to tractor #13266	
	70 012767	4		NUT, high, 3/4"NF
	70 012742	4		CAPSCREW, 3/4"NF x 2-1/4" } Effective with tractor #13266
	70 904369	4		
3	70 012742	4	CAPSCREW, 3/4"NF x 2-1/4"	
	70 904369	4	LOCKWASHER, 3/4"	
4	70 061689	8	WASHER, plain	
5	70 085026	4	CAPSCREW, fender attachment (7/8"NF x 4-1/2")	
6	70 070400	4	NUT, high, 7/8"NF	
7	-----	2	PIN, guide, radiator guard (Discontinued. Not needed)	
8	70 012767	2	NUT, high, 3/4"NF	

(Continued)

FRONT FENDERS (Continued)

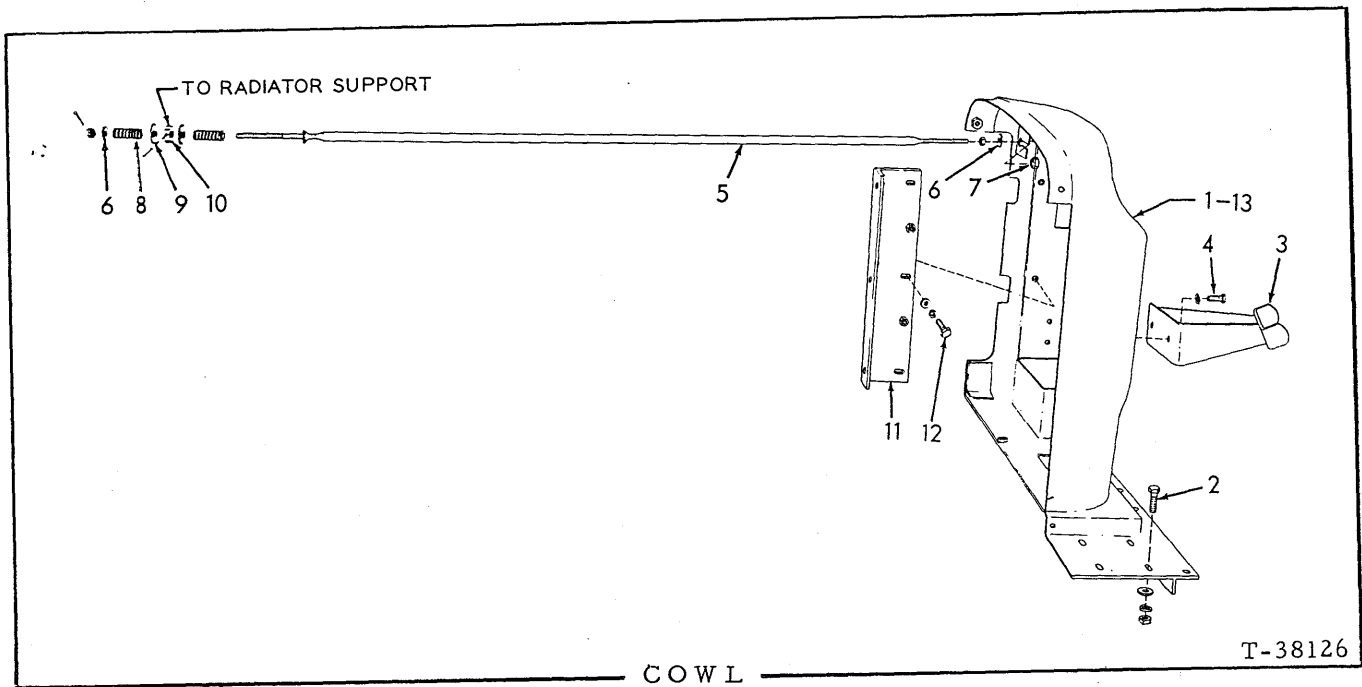
ITEM	PART NO.	QTY.	DESCRIPTION
9	70629773	1	FENDER, left side
	70629774	1	FENDER, right side (For all tractors except those equipped with cable dozer using rear-mounted power unit)
	70629770	1	FENDER, right side (For tractors equipped with cable dozer using rear-mounted power unit)
10	70631795	8	CAPSCREW, Nylok, 5/8"NF x 1-3/4"
11	70658538	4	CAPSCREW, Nylok, 5/8"NF x 2-1/2"
	70904209	12	LOCKWASHER, 5/8"
12	70064810	12	WASHER, plain
13	70923923	4	CAPSCREW, Nylok, 3/4"NF x 3-1/2"
14	70061689	4	WASHER, plain
15	70012767	4	NUT, high, 3/4"NF
16	70035073	4	CAPSCREW, 1/2"NF x 1-3/4"
17	70064531	4	WASHER, plain
	70904208	4	LOCKWASHER, 1/2"
	70911043	4	NUT, 1/2"NF
18	70649808	1	ANGLE, fender attachment (left side)
	70084139	1	ANGLE, fender attachment (right side)
19	70035073	4	CAPSCREW, 1/2"NF x 1-3/4" (Early units)
	70035236	4	CAPSCREW, 1/2"NC x 1-3/4" (Late units)
	70904208	4	LOCKWASHER, 1/2"
20	70064531	4	WASHER, plain



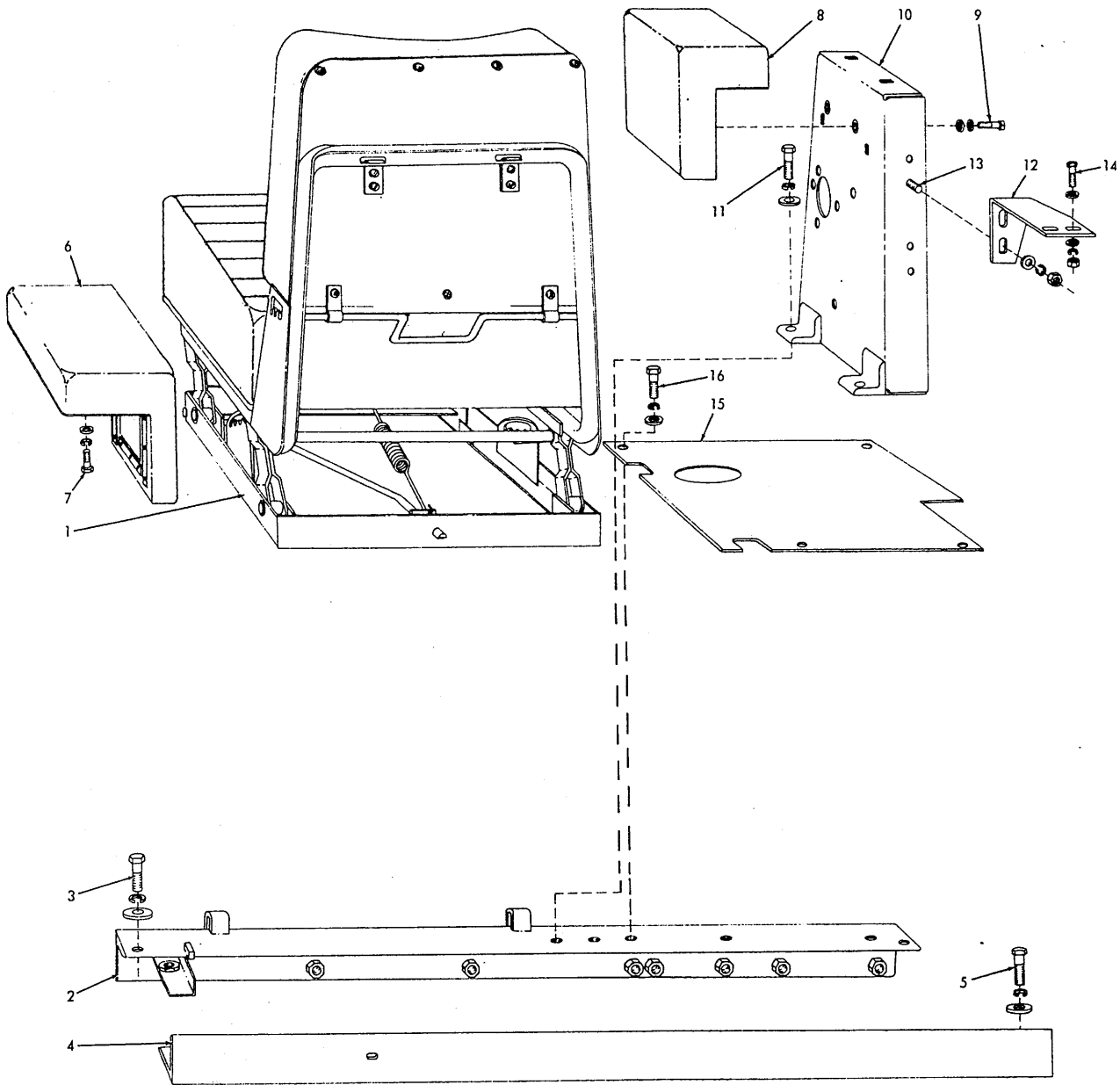
FLOOR

T-37233

ITEM	PART NO.	QTY.	DESCRIPTION
1	70629910	1	PLATE, left front
2	70035733	5	CAPSCREW, 1/2"NC x 1-3/8"
	70904208	5	LOCKWASHER, 1/2"
3	70064531	5	WASHER, plain (1-1/8"O. D.)
4	70649498	1	PLATE, right front
5	70035733	4	CAPSCREW, 1/2"NC x 1-3/8"
	70904208	4	LOCKWASHER, 1/2"
6	70064531	4	WASHER, plain (1-1/8"O. D.)
7	70630946	1	PLATE, left rear
8	70035190	4	CAPSCREW, 1/2"NC x 1-1/2"
	70904208	4	LOCKWASHER, 1/2"
9	70092163	4	WASHER, plain (1-3/4"O. D.)
10	70632273	1	PLATE, right rear
11	70035190	4	CAPSCREW, 1/2"NC x 1-1/2"
	70904208	4	LOCKWASHER, 1/2"
12	70092163	4	WASHER, plain (1-3/4" O. D.)
13	70631012	1	CHANNEL, supporting
14	70035236	4	CAPSCREW, 1/2"NC x 1-3/4"
	70064531	4	WASHER, plain
	70904208	4	LOCKWASHER, 1/2"
	70911028	4	NUT, 1/2"NC (Not used with heavy rear fenders)
15	70087742	4	SHIM, channel spacing (1/32" thick. Use as required)
	70087741	1	SHIM, channel spacing (1/8" thick. Use as required)



ITEM	PART NO.	QTY.	DESCRIPTION
1	-----	1	COWL (Tractors prior to #13791. Order COWL 70648287 and items 11 and 12)
	70c48287	1	COWL (Tractors #13791 thru #14051)
	70c50621	1	COWL (Tractors #14052 and up)
	70c56407	1	COWL (For units with special oil-bath air cleaner only)
2	70c35073	8	CAPSCREW, 1/2"NF x 1-3/4"
	70c64531	8	WASHER, plain
	70c04208	8	LOCKWASHER, 1/2"
	70c11043	8	NUT, 1/2"NF
3	70c33401	1	REST, right foot
	70c14478	2	CAPSCREW, 1/2"NF x 1-3/8" (Early units)
4	70c35733	2	CAPSCREW, 1/2"NC x 1-3/8" (Late units)
	70c04208	2	LOCKWASHER, 1/2"
5	70c32886	1	ROD, bracing
	70c11043	1	NUT, 1/2"NF (rear end)
	70c10867	1	NUT, slotted, 1/2"NF (front end)
	70c00806	1	PIN, cotter, 1/8" x 1"
6	70c4531	2	WASHER, bracing rod
7	70c32884	1	NUT, rod adjustment
8	70c74960	2	SPRING, bracing rod
9	70c2163	2	WASHER, bracing rod spring
	70c2885	1	NUT, sleeve, bracing rod
10	70c2885	1	NUT, sleeve, bracing rod
	70c15797	1	PIN, spring, 3/16" x 1-1/4"
11	70c49592	1	ANGLE, air cleaner mounting (Effective with tractor #13791)
12	70c035018	3	CAPSCREW, 1/2"NF x 1-1/2" (Early units)
	70c035190	3	CAPSCREW, 1/2"NC x 1-1/2" (Late units)
	70c04208	3	LOCKWASHER, 1/2"
	70c064531	3	WASHER, plain
13	-----	-	TRANSFERS (See PAINTING AND MARKING)



SEAT

T-39347

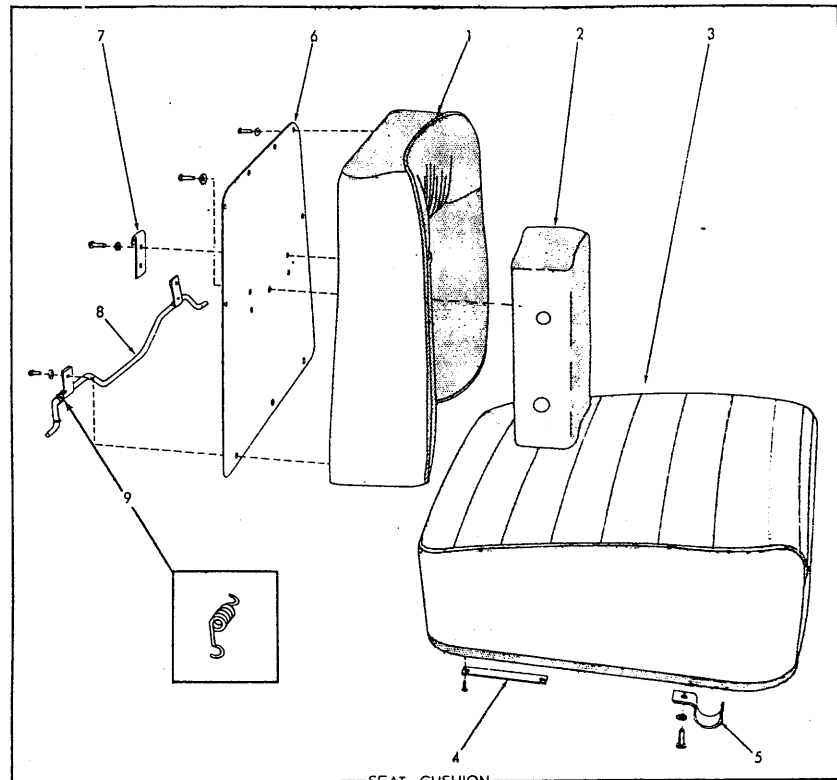
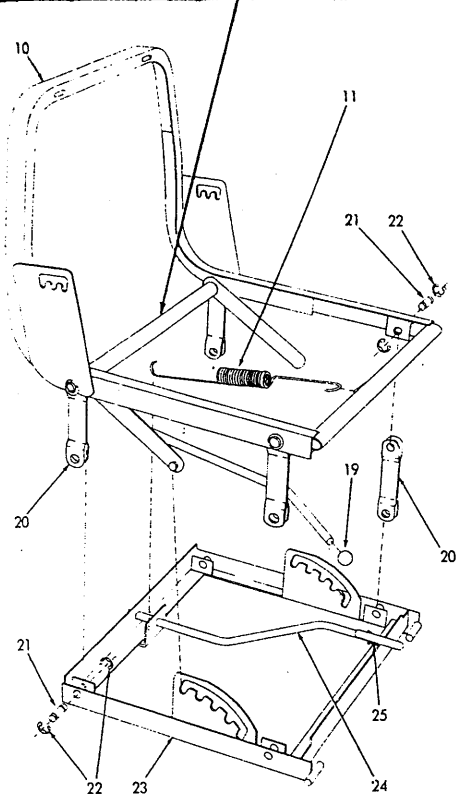
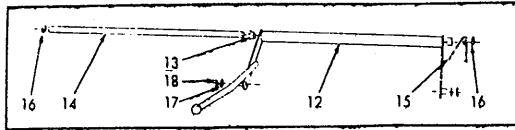
SEAT

ITEM	PART NO.	QTY.	DESCRIPTION
1	70632053	1	SEAT ASSEMBLY (See page 279 for parts)(Used prior to September 1965. Order SEAT ASSEMBLY 70659093)
	70659093	1	SEAT ASSEMBLY (See page 281 for parts)(Effective September 1965)
2	70649130	1	ANGLE, seat supporting, front
3	70035073	2	CAPSCREW, 1/2"NF x 1-3/4"
	70904208	2	LOCKWASHER, 1/2"
	70064531	2	WASHER, plain
4	70639818	1	ANGLE, seat supporting, rear
5	70035073	2	CAPSCREW, 1/2"NF x 1-3/4"
	70904208	2	LOCKWASHER, 1/2"
	70064531	2	WASHER, plain
6	70632179	1	CUSHION, arm rest, left side
7	70919331	4	CAPSCREW, 3/8"NF x 1" } Plated
	70916965	4	LOCKWASHER, 3/8" }
	70920743	4	WASHER, plain }
8	70632188	1	CUSHION, arm rest, right side
9	70919331	4	CAPSCREW, 3/8"NF x 1" } Plated
	70916965	4	LOCKWASHER, 3/8" }
	70920743	4	WASHER, plain }
10	70632284	1	SUPPORT, right arm rest cushion
11	70035190	4	CAPSCREW, 1/2"NC x 1-1/2"
	70904208	4	LOCKWASHER, 1/2"
	70064531	4	WASHER, plain
12	70632274	1	ANGLE, bracing, right arm rest support
13	70036034	2	CAPSCREW, 3/8"NF x 1"
14	70036039	2	CAPSCREW, 3/8"NF x 1-3/8"
	70044973	6	WASHER, plain
	70904206	4	LOCKWASHER, 3/8"
	70911041	4	NUT, 3/8"NF
15	70632315	1	PLATE, floor (Not used with special severe-service fuel filter) } Tractors prior to #14605
	70631873	1	PLATE, floor (Used with special severe-service fuel filter only) }
	70659141	1	PLATE, floor (Tractors #14605 and up)
16	70035733	4	CAPSCREW, 1/2"NC x 1-3/8" } 1 less used with
	70904208	4	LOCKWASHER, 1/2" } PLATE 70631873
	70064531	4	WASHER, plain }
17	70657564	1	BELT, safety (Special equipment. Not illustrated)

SEAT ASSEMBLY 70632053

USAGE: Early units. See page 277

ITEM	PART NO.	QTY.	DESCRIPTION
1	70 638422	1	CUSHION, back (outside section)
	70 642499	1	COVER, slip, back cushion (Includes fastenings)(Not original equipment)
2	70638421	1	CUSHION, back (center section)
	70 916532	1	SCREW, machine, 1/4"NC x 3/4"
	70 914105	1	LOCKWASHER, ext-tooth, 1/4"
	70 642498	1	COVER, slip, back cushion (Includes fastenings)(Not original equipment)
3	70 659102	1	CUSHION ASSEMBLY, seat (Includes item 4)
	70 642500	1	COVER, slip, seat cushion (Includes fastenings)(Not original equipment)
4	70 638431	2	PLATE, bearing, seat cushion
	-----	4	SCREW, wood, fl-hd., #8 x 1/2" (Procure locally)
5	70638432	2	BRACKET, pivot, seat cushion
	70916532	2	SCREW, machine, rd-hd., 1/4"NC x 3/4"
	70914105	2	LOCKWASHER, ext-tooth, 1/4"
6	70638369	1	STOP, seat cushion locking rod
	70916532	2	SCREW, machine, rd-hd., 1/4"NC x 3/4"
	70914105	2	LOCKWASHER, ext-tooth, 1/4"
7	70638370	1	PLATE, reinforcing, back cushion
	70916532	6	SCREW, machine, rd-hd., 1/4"NC x 3/4"
	70914105	6	LOCKWASHER, ext-tooth, 1/4"
8	70638427	1	SUPPORT, back cushion
	70916532	3	SCREW, machine, rd-hd., 1/4"NC x 3/4"
	70914105	3	LOCKWASHER, ext-tooth, 1/4"
9	70638435	2	BRACKET, retaining, back cushion
	70 916532	4	SCREW, machine, rd-hd., 1/4"NC x 3/4"
	70 914105	4	LOCKWASHER, ext-tooth, 1/4"
10	638468	1	FRAME ASSEMBLY, seat (Includes items 11 thru 19)
11	70 638425	1	ROD, locking, seat cushion
	70 911115	2	WASHER, plain, SAE std., 3/8"
	70 900801	2	PIN, cotter, 3/32" x 3/4"
12	70 638429	1	SPRING, seat cushion locking rod
13	70 638363	1	STRAP, operating, seat position
14	70 638428	2	SPRING, seat position operating strap
15	70 638426	2	ROD, locking, seat position
16	70 638430	3	PIN, seat position locking rod
17	70 628001	3	WASHER, spacing, seat position rod
18	70 638354	3	WASHER, retaining, seat position rod pin
19	70 638433	1	SPRING, cushion height adjuster
	70 914197	2	SCREW, thd-cutting, rd-hd., #6 x 3/8"
20	70638423	4	LINK, suspension, seat frame
21	70638434	8	PIN, seat frame suspension link
22	70638351	16	RING, locking, suspension link pin
23	70638424	1	SPRING, retracting, seat frame
24	70638371	1	FRAME ASSEMBLY, base (Includes items 25 and 26)
25	70639975	1	ROD, seat release
	70 910335	1	WASHER, plain, SAE std., 5/16"
	70 900801	2	PIN, cotter, 3/32" x 3/4"
26	70 638429	1	SPRING, seat release rod



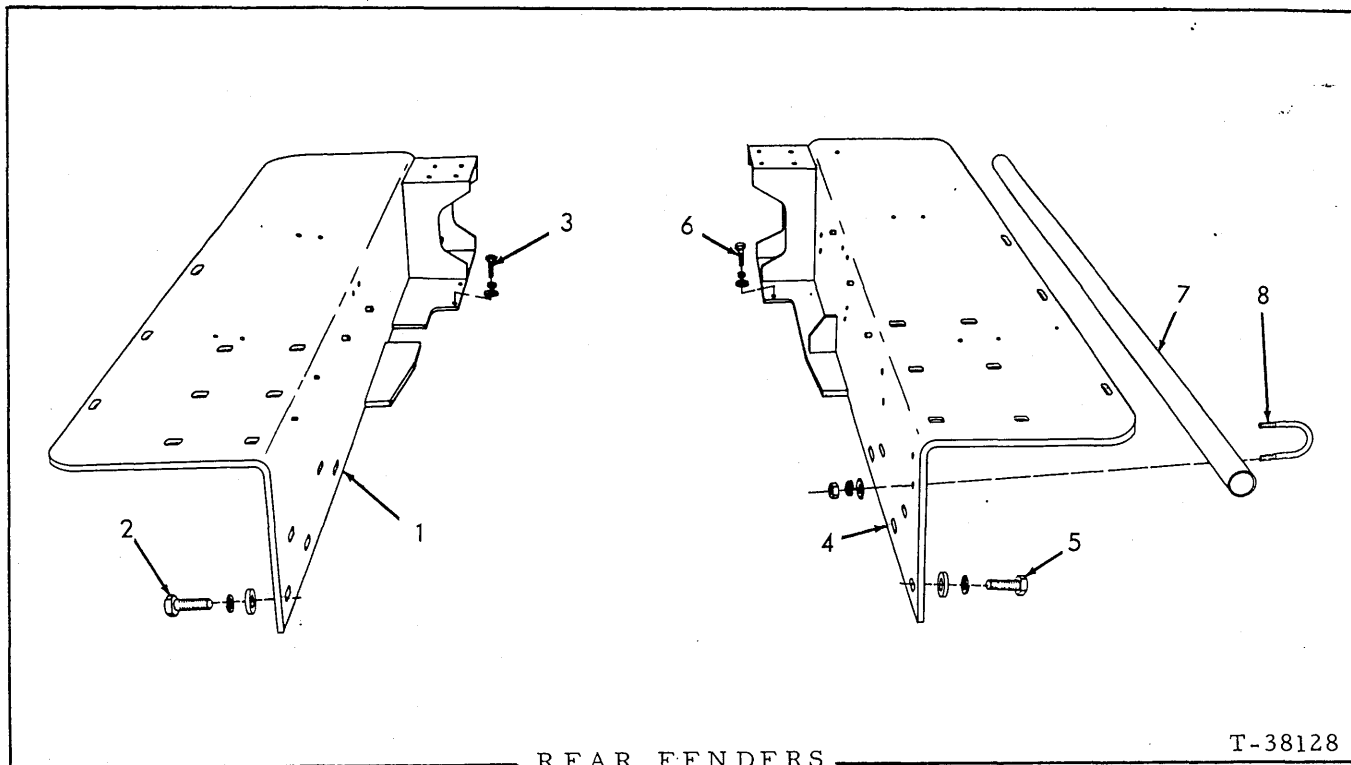
T-71877

SEAT ASSEMBLY 70659093

SEAT ASSEMBLY 70659093

USAGE: Late units. See page 277

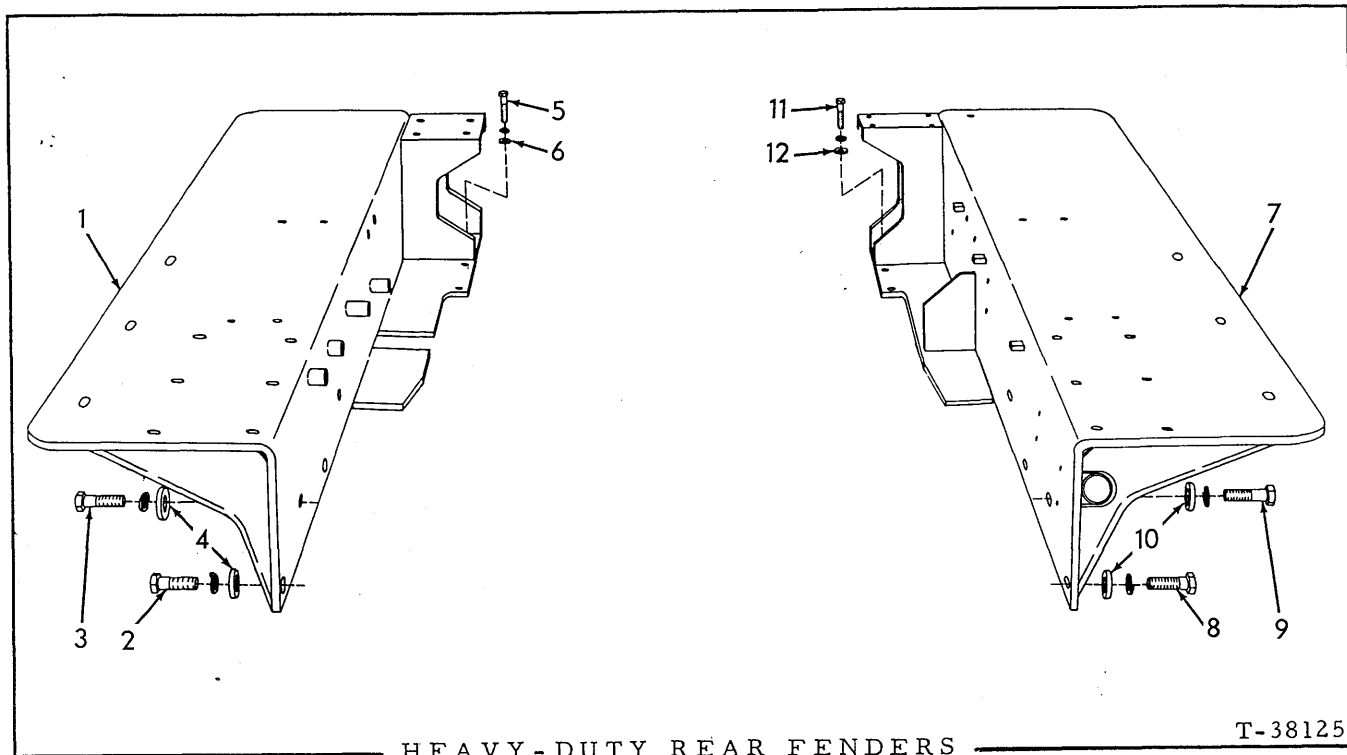
ITEM	PART NO.	QTY.	DESCRIPTION
1	70638422	1	CUSHION, back (outside section)
	70642499	1	COVER, slip, back cushion (Includes fastenings) (Not original equipment)
2	70638421	1	CUSHION, back (center section)
	70916532	2	SCREW, machine, rd-hd., 1/4"NC x 3/4"
	70914105	2	LOCKWASHER, ext-tooth, 1/4"
	70642498	1	COVER, slip, back cushion (Includes fastenings) (Not original equipment)
3	70659102	1	CUSHION ASSEMBLY, seat (Includes item 4)
	70642500	1	COVER, slip, seat cushion (Includes fastenings) (Not original equipment)
4	70638431	2	PLATE, bearing, seat cushion
	-----	4	SCREW, wood, fl-hd., #8 x 1/2" (Procure locally)
5	70638432	2	BRACKET, pivot, seat cushion
	70916532	2	SCREW, machine, rd-hd., 1/4"NC x 3/4"
	70914105	2	LOCKWASHER, ext-tooth, 1/4"
6	70650143	1	PLATE, reinforcing, back cushion
	70916532	6	SCREW, machine, rd-hd., 1/4"NC x 3/4"
	70914105	6	LOCKWASHER, ext-tooth, 1/4"
7	70650132	2	BRACKET, retaining, back cushion
	70916532	4	SCREW, machine, rd-hd., 1/4"NC x 3/4"
	70914105	4	LOCKWASHER, ext-tooth, 1/4"
8	70650141	1	ROD ASSEMBLY, back cushion adjustment (Includes mounting clips)
	70916532	2	SCREW, machine, rd-hd., 1/4"NC x 3/4"
	70914105	2	LOCKWASHER, ext-tooth, 1/4"
9	70650137	1	SPRING, back cushion adjustment rod
10	70650144	1	FRAME, seat
11	70650138	1	SPRING, retracting, seat frame
12	70650142	1	LATCH, seat adjustment
13	70650146	2	BEARING, seat adjustment latch
14	70650136	1	SHAFT, seat adjustment latch
15	70650135	1	SPRING, seat adjustment latch
16	70638351	2	RING, snap, seat adjustment latch shaft
17	70188436	2	WASHER, seat adjustment latch
18	70650147	2	RING, snap, seat adjustment latch
19	70650133	1	KNOB, seat adjustment latch
20	70650139	4	LINK, suspension, seat frame
21	70650131	6	PIN, seat frame suspension link
22	70638351	12	RING, snap, suspension link pin
23	70650145	1	FRAME ASSEMBLY, base (Includes items 24 and 25)
24	70650140	1	ROD, seat release
	70188436	1	WASHER, plain
	70924169	2	PIN, groove, 1/8" x 1"
25	70650134	1	SPRING, seat release rod



USAGE: Standard equipment

ITEM PART NO. QTY. DESCRIPTION

1	70 649407	1	FENDER, left side (Tractors prior to #14537)	} Order Fender 70654054 and Kit 70654528
	70 656181	1	FENDER, left side (Tractors #14537 and up)	
2	70 648717	4	CAPSCREW, Nylok, 3/4"NF x 2-1/4"	
	70 904369	4	LOCKWASHER, 3/4"	
	70 061689	4	WASHER, plain	
3	70 035073	4	CAPSCREW, 1/2"NF x 1-3/4"	
	70 904208	4	LOCKWASHER, 1/2"	
	70 064531	4	WASHER, plain	
4	70 656234	1	FENDER, right side	
5	70 648717	4	CAPSCREW, Nylok, 3/4"NF x 2-1/4"	
	70 904369	4	LOCKWASHER, 3/4"	
	70 061689	4	WASHER, plain	
6	70 035073	4	CAPSCREW, 1/2"NF x 1-3/4"	
	70 904208	4	LOCKWASHER, 1/2"	
	70 064531	4	WASHER, plain	
7	70 084454	1	PIPE, cable conducting (For tractors with dozer using rear-mounted CCU)	
8	70 641474	4	U-BOLT, pipe attaching	
	70 911115	8	WASHER, plain, SAE std., 3/8"	
	70 904206	8	LOCKWASHER, 3/8"	
	70 911041	8	NUT, 3/8"NF	

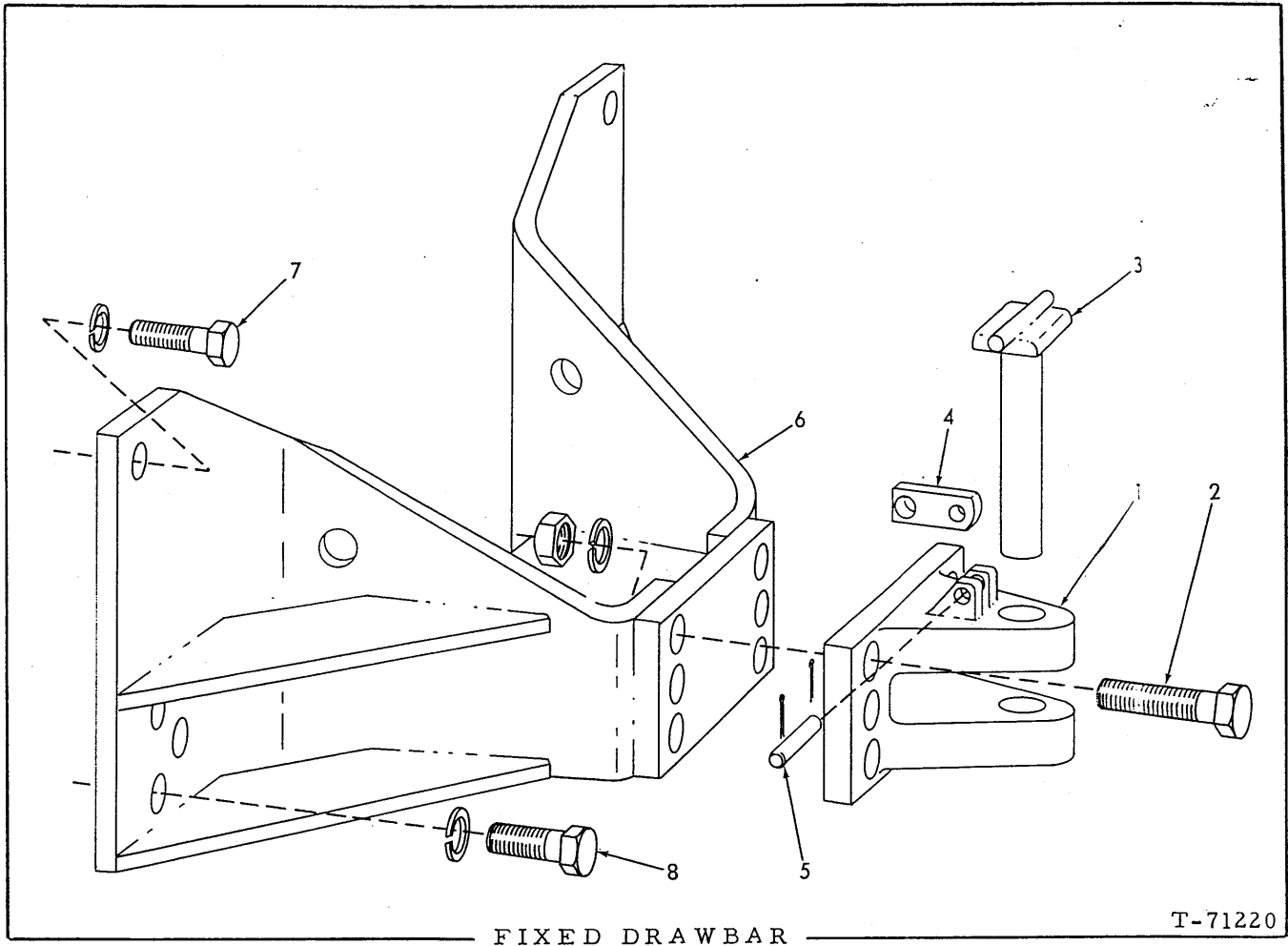


HEAVY-DUTY REAR FENDERS

T-38125

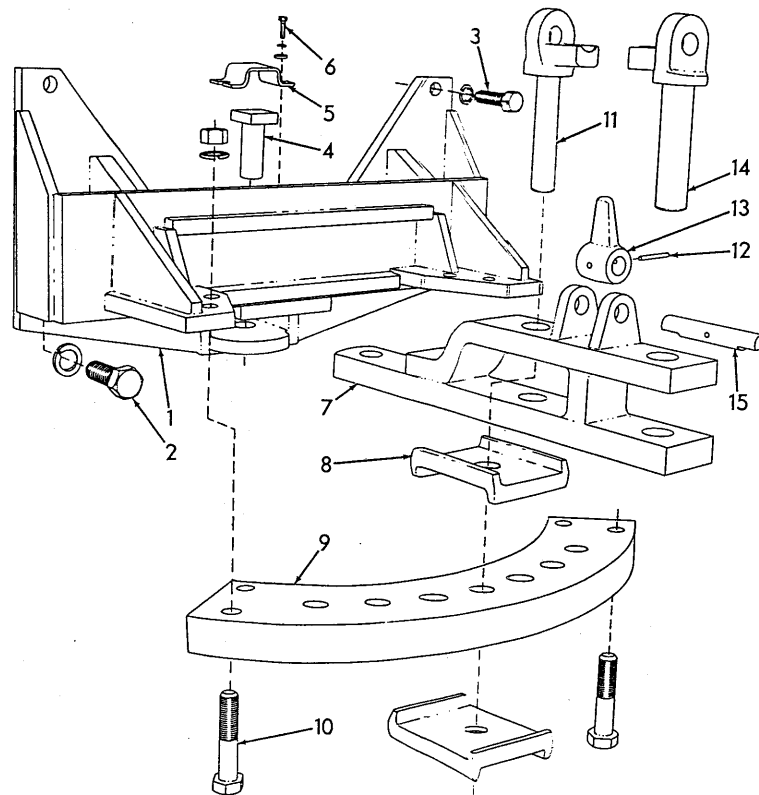
USAGE: Optional equipment

ITEM	PART NO.	QTY.	DESCRIPTION
1	70 649449	1	FENDER, left (Tractors prior to #14537)
	70 654530	1	FENDER, left (Tractors #14537 and up)
2	70 012742	2	CAPSCREW, 3/4"NF x 2-1/4"
3	70 013465	2	CAPSCREW, 3/4"NF x 2-1/2"
	70 904369	4	LOCKWASHER, 3/4"
4	70 061689	6	WASHER, plain
5	70 035073	4	CAPSCREW, 1/2"NF x 1-3/4"
	70 904208	4	LOCKWASHER, 1/2"
6	70 064531	4	WASHER, plain
7	70 656290	1	FENDER, right
8	70 012742	2	CAPSCREW, 3/4"NF x 2-1/4"
9	70 013465	2	CAPSCREW, 3/4"NF x 2-1/2"
	70 904369	4	LOCKWASHER, 3/4"
10	70 061689	6	WASHER, plain
11	70 035073	4	CAPSCREW, 1/2"NF x 1-3/4"
	70 904208	4	LOCKWASHER, 1/2"
12	70 064531	4	WASHER, plain



USAGE: Standard equipment.

ITEM	PART NO.	QTY.	DESCRIPTION
1	70 098837	1	BRACKET, coupling
2	70 648331	6	CAPSCREW, 1-1/2"NF x 6-1/4"
	70 913077	6	LOCKWASHER, 1-1/2"
	70 916555	6	NUT, 1-1/2"NF
3	70 633674	1	PIN, drawbar
4	70 629697	1	BLOCK, retaining, drawbar pin
5	70 629698	1	PIN, retaining block
	70 900806	2	PIN, cotter, 1/8" x 1"
6	70 633675	1	BRACKET, supporting
7	70 052361	4	CAPSCREW, 1-1/4"NF x 4"
	70 904210	4	LOCKWASHER, 1-1/4"
8	70 625383	4	CAPSCREW, 1-1/2"NF x 4"
	70 913077	4	LOCKWASHER, 1-1/2"



SWINGING DRAWBAR

T-71875

USAGE: Optional equipment

ITEM	PART NO.	QTY.	DESCRIPTION
1	70648683	1	BRACKET, mounting
2	70629966	2	CAPSCREW, 1-1/2"NF x 4-1/4"
	70913077	2	LOCKWASHER, 1-1/2"
3	70052361	6	CAPSCREW, 1-1/4"NF x 4"
	70904210	6	LOCKWASHER, 1-1/4"
4	70056995	1	PIN, hinge
5	70052155	1	PLATE, hinge pin retaining
6	70035018	2	CAPSCREW, 1/2"NF x 1-1/2"
	70904208	2	LOCKWASHER, 1/2"
	70064531	2	WASHER, plain
7	70648643	1	DRAWBAR
8	70648652	2	SHOE, wear
9	70648646	1	PLATE, drawbar supporting
10	70098266	4	CAPSCREW, 1-1/4"NF x 5-5/8"
	70904210	4	LOCKWASHER, 1-1/4"
	70913097	4	NUT, 1-1/4"NF
11	70052366	1	PIN, drawbar locking
12	70052159	1	PIN, locking arm
13	70052069	1	ARM, locking, drawbar pins
14	70052367	1	PIN, drawbar coupling
15	70052060	1	SHAFT, locking arm

PAINTING AND MARKING

ITEM PART NO. QTY. DESCRIPTION

NOTE: Approximately 6 gallons paint required for spraying

- 1 ----- - ENAMEL, A-C yellow, quart can (Order item 2)
- 2 70925106 - ENAMEL, A-C yellow, gallon can
- 3 70931732 - ENAMEL, A-C yellow, 12 oz. pressurized spray-type can

NOTE: All plates and transfers listed below are English language printings unless otherwise indicated.

- | | | | | | | |
|---|---|----------|---|--|---|--|
| 4 | { | 70632919 | 1 | PLATE, lubrication and service guide
(7" x 10")(Units with 21000H engine) | } | Attached to front of right battery box |
| | | 70659540 | 1 | PLATE, lubrication and service guide
(7" x 10")(Units with 21000-Mark II engine) | | |
| | | 70633652 | 1 | PLATE, lubrication and service guide (multi-language, 7" x 12-7/8")(Units with 21000H engine) | | |
| | | 70659541 | 1 | PLATE, lubrication and service guide (multi-language, 7" x 12-7/8")(Units with 21000-Mark II engine) | | |
| | | 70034076 | 4 | SCREW, thd. -cutting, cross-recessed-hd., #8 x 1/2"(2 additional required for multi-language plates) | | |
- 5 70621357 1 TRANSFER, lubrication certification (3-7/8" x 6-3/4")(Applied to dash)
- 6 70650587 1 TRANSFER, turbocharger altitude warning (1-3/4" x 3-1/2")(Applied to dash)
- 7 70666497 1 TRANSFER, instruction, engine operation (2-1/4" x 4-1/2")(Applied to dash)
- 8 70629205 1 TRANSFER, warning, power steering and brakes (1-3/4" x 3-1/2") (Applied to dash)
- 9 70644616 1 TRANSFER, instruction, 1st stage fuel filter (1-3/4" x 2-1/4") (Applied to filter)
- 10 70644619 1 TRANSFER, instruction, 2nd stage fuel filter (1-3/4" x 2-1/4") (Applied to filter)
- 11 73108728 2 TRANSFER, instruction, oil filter (2-5/16" x 3-1/4")(Applied to engine oil filter)
- | | | | | |
|----|---|----------|---|---|
| 12 | { | 70621399 | 1 | TRANSFER, warning, special by-pass oil filter (Includes Portuguese translation, 2" x 10")(Applied to FILTER ASSEMBLY 70082442) |
| | | 70621400 | 1 | TRANSFER, warning, special by-pass oil filter (French and Spanish translations, 2" x 10")(Applied to FILTER ASSEMBLY 70082442) |
| | | 70659539 | 1 | TRANSFER, warning, by-pass oil filter (Includes Portuguese translation, 2" x 10")(Applied to Filter Assy. 74390593)(Use 73107880) |
| | | 70659538 | 1 | TRANSFER, warning, by-pass oil filter (French and Spanish translations, 2" x 10")(Applied to Filter Assy. 74390593)(Use 73107880) |

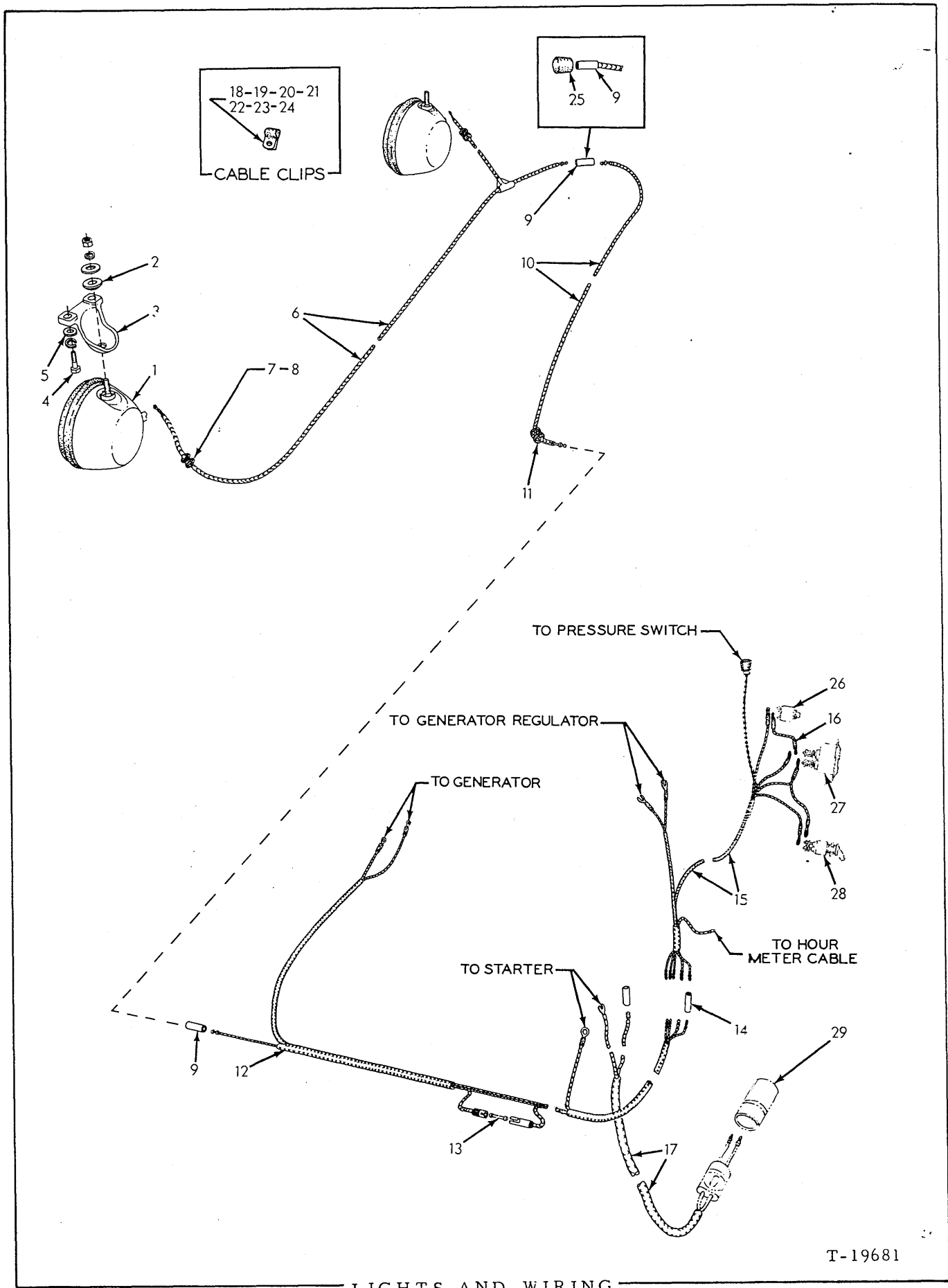
(Continued)

(Revised August 1979)

PAINTING AND MARKING (Continued)

ITEM	PART NO.	QTY	DESCRIPTION
13	70632226	2	TRANSFER, instruction, steering pressure line oil filter (1-3/4" x 2-1/4")(Applied to filters)
14	70644534	1	TRANSFER, instruction, transmission oil filter (1-3/4" x 2-1/4") (Applied to filter)
15	70621342	1	TRANSFER, instruction, engine primer (1-3/4" x 6")(Applied to dash)
16	70633384	1	TRANSFER, instruction, air heater operation (2" x 6")(Applied to dash)
17	70651894	1	TRANSFER, instruction, air cleaner replacement cartridge (1-5/16" x 2-7/16")(Applied to air restriction indicator)
18	70641129	1	TRANSFER, instruction, dry-type air cleaner (4" x 4")(Applied to dash)
18A	70665147	1	TRANSFER, instruction, coolant filter (Applied to filter)
19	70656642	1	TRANSFER, instruction, oil-bath air cleaner (1-1/2" x 3-3/4") (Applied to cleaner)
20	70925158	2	TRANSFER, "21000-Mark II Power"(2" x 7-3/4")(Applied to sides of radiator guard)
21	70924548	2	TRANSFER, "ALLIS-CHALMERS"(1-1/4" x 20")(Applied to side of battery boxes)
22	70924552	2	TRANSFER, "ALLIS-CHALMERS"(2-3/8" x 39")(Applied to sides of hood)
23	70924551	1	TRANSFER, "ALLIS-CHALMERS"(2-3/16" x 36")(Applied to front of radiator guard)
24	70924555	1	TRANSFER, "ALLIS-CHALMERS"(3-3/8" x 55")(Applied to rear of fuel tank)
25	70623506	3	TRANSFER, "HD21"(Applied to side of battery boxes and to rear of fuel tank)
26	70632261	2	TRANSFER, "TORQUE CONVERTER - POWER SHIFT" design (Applied to side of battery boxes)
27	70924320	1	TRANSFER, trademark (6-3/4", orange and black) } Applied to rear of fuel tank
	70924541	1	
28	70924306	2	TRANSFER, trademark (7-3/4", orange and black) } Applied to sides of radiator guard
	70924463	2	
29	70651977	1	TRANSFER KIT (Consists of one each TRANSFERS 70621342, 70621357, 70629205, 70631293, 70633384, 70641129, 70644534, 70644616, 70644619, 70650587, 70924320, 70924550, 70924555, two each TRANSFERS 70621343, 70632226, 70924306, 70924548, 70924552; three TRANSFERS 70661227)

(Revised August 1979)



LIGHTS AND WIRING

ITEM	PART NO.	QTY.	DESCRIPTION
1	70638283	2	*LIGHT ASSY. head (See page 291)(Early units)
	70621429	2	*LIGHT ASSEMBLY, head (See page 291A)(Late units)
	70900818	2	*WASHER, plain, U.S. std., 1/2"
	70904208	2	*LOCKWASHER, 1/2"
	70911043	2	*NUT, 1/2"NF
2	70075535	2	*WASHER, head light mounting
3	70093195	2	*BRACKET, head light mounting
	70035336	4	*CAPSCREW, 3/8"NF x 1-3/4" (For inside mounting)
4	70053616	4	*CAPSCREW, 3/8"NC x 1-3/4" (For outside mounting)
	70704206	4	*LOCKWASHER, 3/8"
5	70044973	4	*WASHER, plain
6	70093196	1	*CABLE, head light, upper section
7	70083683	2	*GROMMET, head light cable (1/2" hole)
8	70044810	2	*GROMMET, head light cable (3/8" hole)
			<u>NOTE:</u> Items 7 and 8 are required only when head lights are optionally-mounted on top of the radiator guard
9	70048142	2	CONNECTOR, head light cables
10	70093194	1	CABLE, head light, lower section
11	70064589	1	GROMMET, head light cable (5/8" hole)(Early units only)
12	70630683	1	HARNESS, wiring, front section
13	70208960	1	FUSE, cartridge type, 1/4" x 1-1/4", 20 amperes
14	70048142	5	CONNECTOR, wiring harness (1-line)
15	70640705	1	HARNESS, wiring, rear section
16	70095860	1	CABLE, ammeter to starter switch
17	70650313	1	HARNESS, wiring, safety switch
	70639313	1	CLIP, head light cable (3/16" diam., 13/32" bolt-slot)
	70911115	1	WASHER, plain, SAE std., 3/8"
18	70639388	4	CLIP, head light cables (1/8" diam., 13/32" bolt-hole)(4 additional used with head lights)
	70036032	1	CAPSCREW, 3/8"NF x 3/4"
	70904206	1	LOCKWASHER, 3/8"
	70911115	1	WASHER, plain, SAE std., 3/8"
19	70640674	1	CLIP, safety switch harness (5/16" diam., 9/32" bolt-hole)
	70911114	1	WASHER, plain, SAE std., 1/4"
20	70640676	1	CLIP, front wiring harness (5/16" diam., 13/32" bolt-hole)
21	70640675	1	CLIP, front wiring harness (3/8" diam., 17/32" bolt-hole)
	70035221	1	CAPSCREW, 1/2"NC x 1"
	70904208	1	LOCKWASHER, 1/2"
	70910244	1	WASHER, plain, SAE std., 1/2"

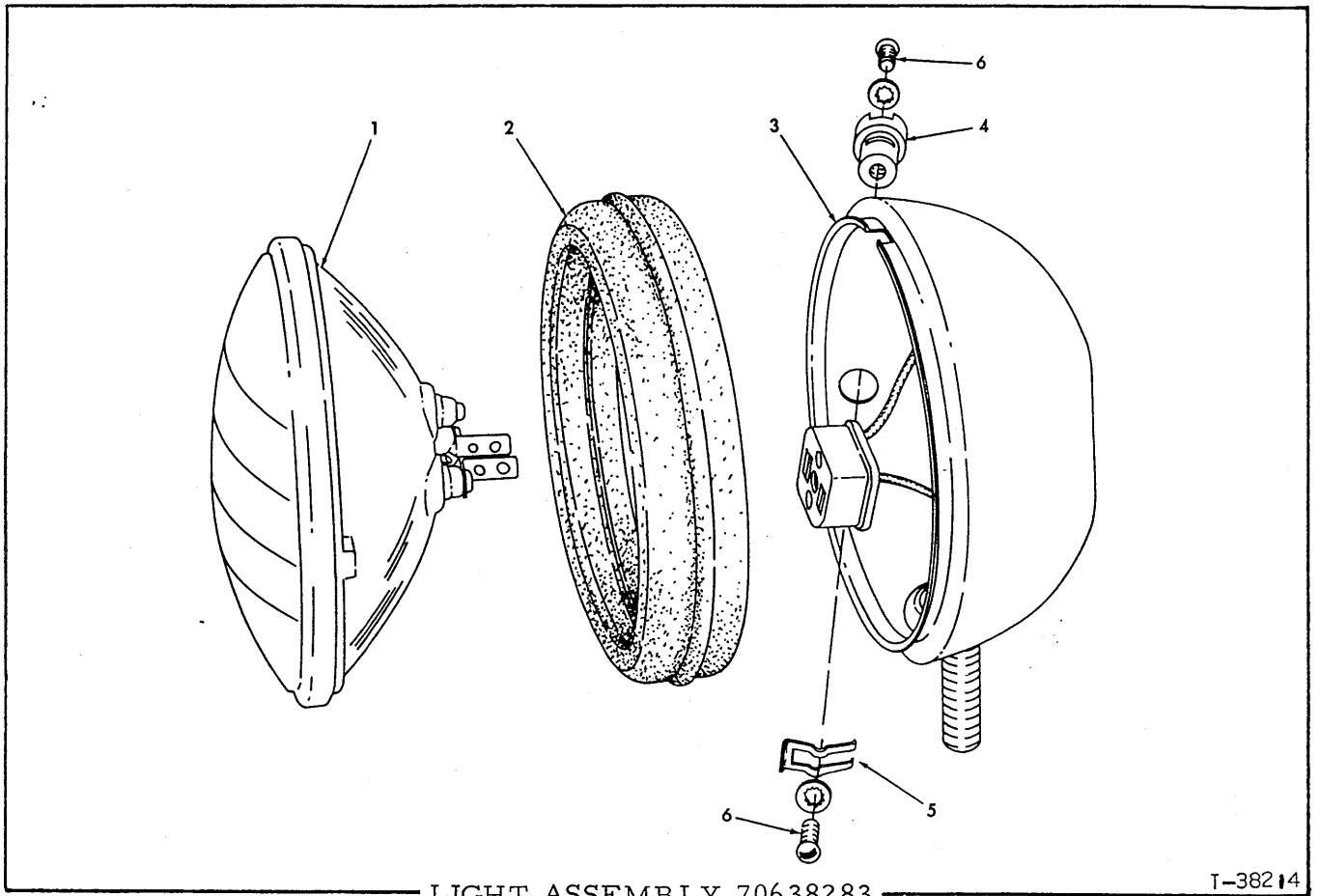
*Special equipment

(Continued)

(Revised August 1979)

LIGHTS AND WIRING (Continued)

ITEM	PART NO.	QTY.	DESCRIPTION
22	70639314	5	CLIP, wiring harness (3/8" diam., 13/32" bolt-hole)
	70035244	1	CAPSCREW, 3/8"NC x 3/4"
	70035167	2	CAPSCREW, 3/8"NF x 7/8"
	70904206	3	LOCKWASHER, 3/8"
	70911041	2	NUT, 3/8"NF
	70911115	4	WASHER, plain, SAE std., 3/8"
23	70620063	1	CLIP, front wiring harness (1/2" diam., 17/32" bolt-hole)
	70035221	1	CAPSCREW, 1/2"NC x 1"
	70904208	1	LOCKWASHER, 1/2"
	70910244	1	WASHER, plain, SAE std., 1/2"
24	70639388	1	CLIP, rear wiring harness (1/8" diam., 13/32" bolt-hole)(Effective with tractor #13062)
	70036034	1	CAPSCREW, 3/8"NF x 1"
	70911115	1	WASHER, plain, SAE std., 1/2"
	70904206	1	LOCKWASHER, 3/8"
	70911041	1	NUT, 3/8"NF
25	70638243	1	TIP, cable socket (rubber)(Used only on units without head lights)
26	-----	-	SWITCH, starter (See INSTRUMENTS)
27	-----	-	AMMETER (See INSTRUMENTS)
28	-----	-	SWITCH, lights (See INSTRUMENTS)
29	-----	-	SWITCH, safety (See SPEED CONTROL LINKAGE)



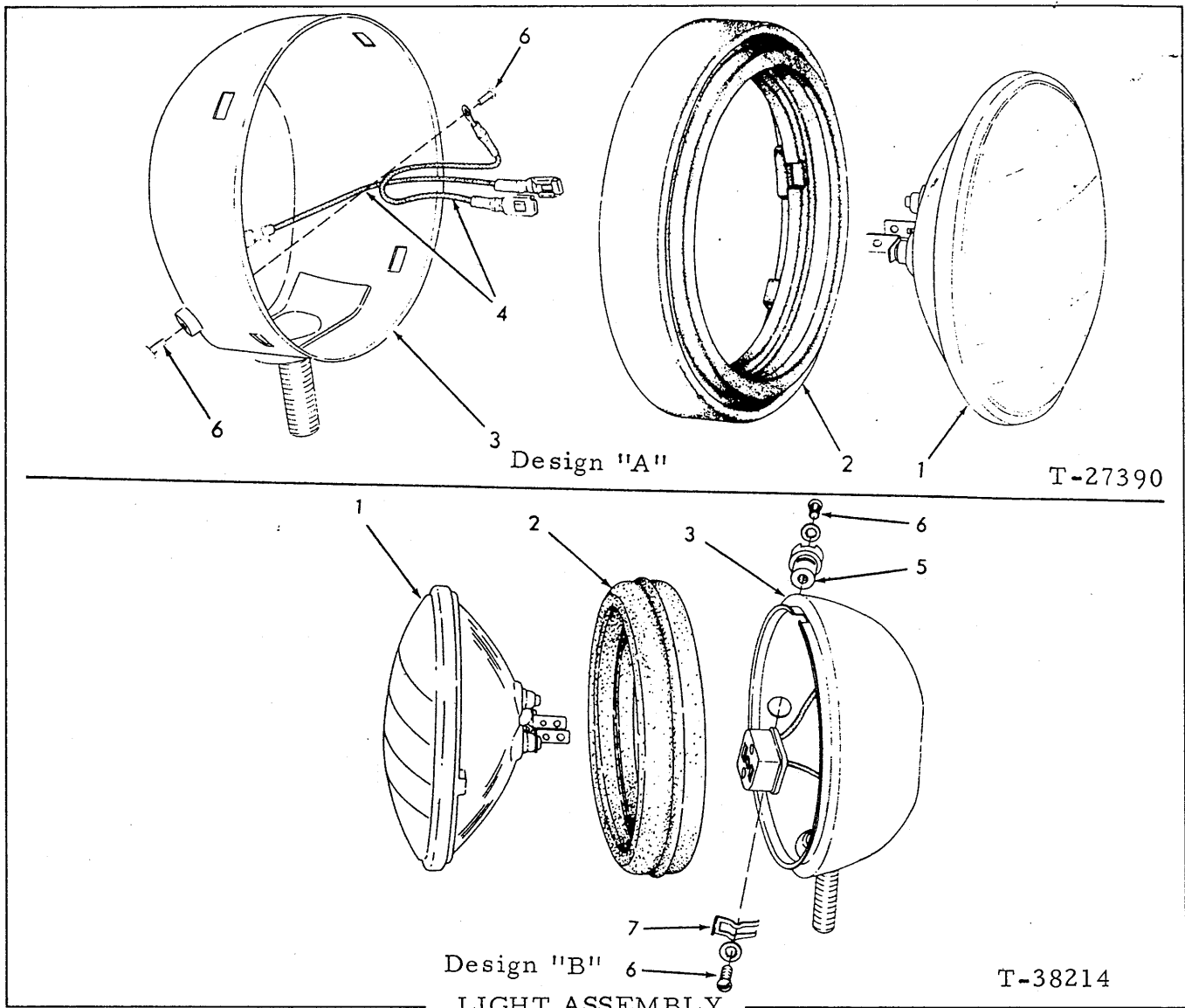
USAGE: See pages 289, 291A and 294

ITEM PART NO. QTY. DESCRIPTION

NOTE: Quantities indicated below are for one (1) light only

1	70182763	1	SEALED BEAM (24 volt)
2	70638282	1	RING, retaining (rubber)
3	-----	1	BODY ASSEMBLY (Includes wiring. Not serviced separately)
4	70055589	1	TERMINAL KIT (Includes items 5 and 6)
5	70048922	1	SPRING, retaining, terminal bushing
6	70912731	2	SCREW, terminal (#8-32 NC x 5/16")
	70912739	2	LOCKWASHER, internal teeth, #8

(Revised August 1979)



USAGE: Service replacement

*Design "A"

**Design "B"

ITEM	PART NO.	QTY.	DESCRIPTION
------	----------	------	-------------

* **

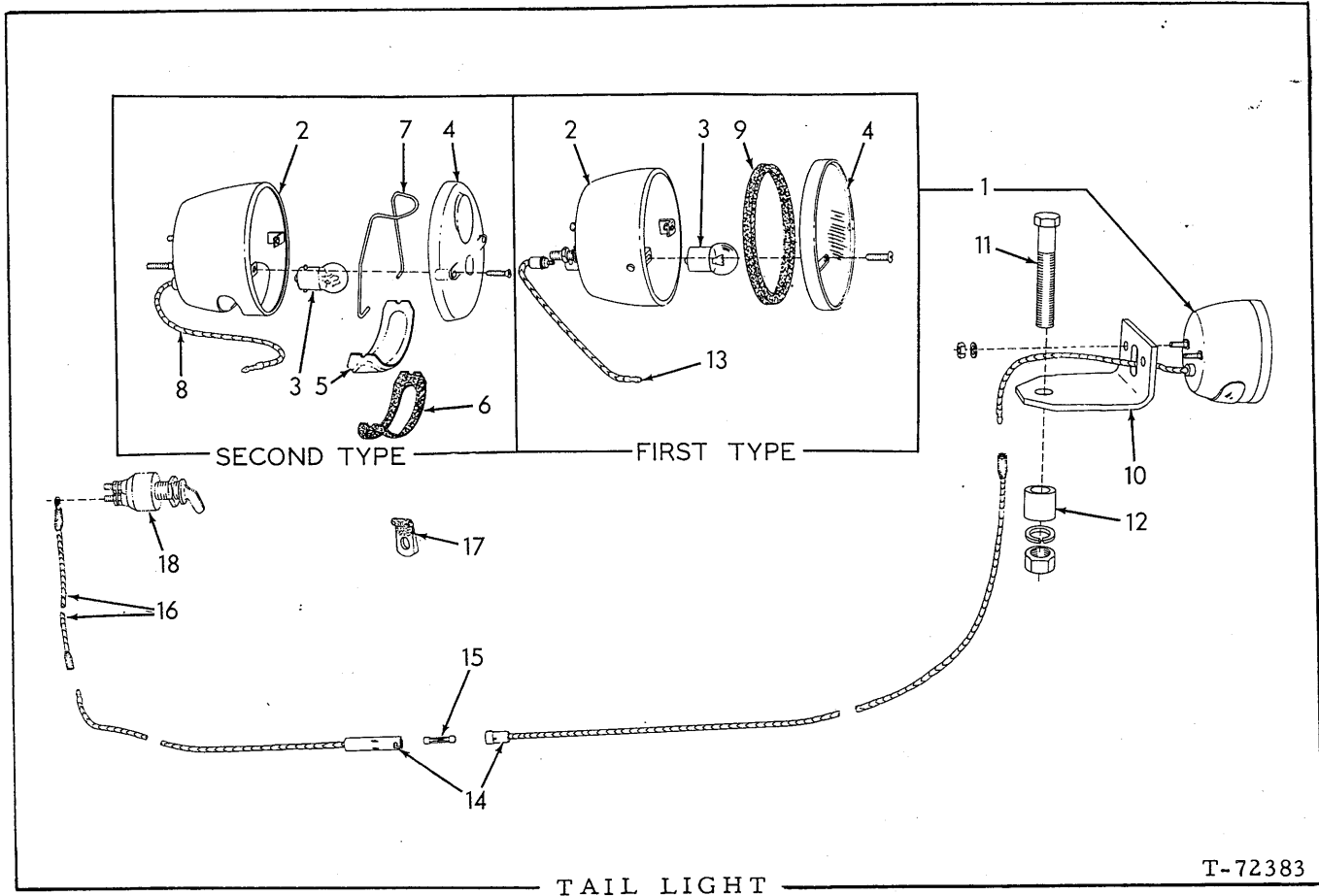
NOTE: This Light Assembly is available in two designs. Check illustration to determine which is applicable to your unit and order service parts accordingly.

-	70621429	2	2	LIGHT ASSY. (Includes items 1 thru 7)	
1	70182763	1	1	SEALED BEAM (24 volt)	
2	70621428	1	-	RETAINER	
	70638282	-	1	RETAINER	
3	-----	1	-	BODY	} Not serviced separately
	-----	-	1	BODY (Includes receptacle)	
4	70621724	2	-	CABLE	
5	70695694	-	1	INSULATOR PACKAGE	
6	70912731	2	2	SCREW, machined, rd-hd., #8NC x 5/16"	
	70912739	-	2	LOCKWASHER, #8	
7	70048922	-	1	SPRING	

MEMO

291B

(Added August 1979)



T-72383

USAGE: Special equipment

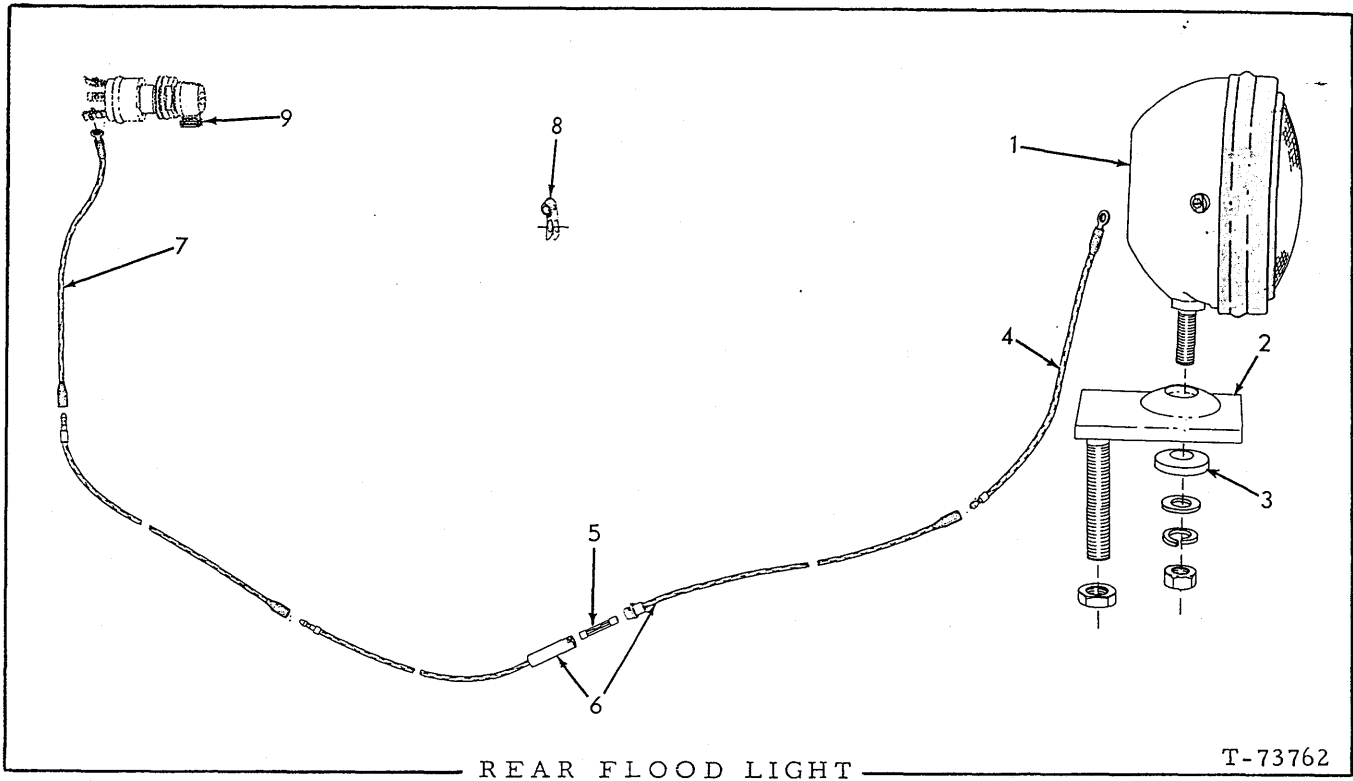
* Used prior to January 1967
 ** Effective January 1967

ITEM	PART NO.	QTY.		DESCRIPTION
		*	**	
1	-----	1	-	LIGHT ASSEMBLY, tail (Order LIGHT ASSEMBLY 70654652)
	70654652	-	1	LIGHT ASSEMBLY, tail (Consists of items 2 thru 8)
	70904204	2	2	LOCKWASHER, 1/4"
	70911024	2	2	NUT, 1/4"NC
2	-----	1	1	BODY ASSEMBLY (Not serviced separately)
3	70074452	1	1	BULB, incandescent, single contact, 6 c. p., 24 volt
4	-----	1	-	LENS, tail light (Discontinued)
	70917883	2	-	SCREW, thread-cutting, rd-hd., #8 x 5/8"
	70654991	-	1	LENS, tail light (red)
	70654990	-	2	SCREW, retaining
5	70654988	-	1	LENS-SEGMENT, tail light (clear)
6	70654989	-	1	GASKET, lens-segment
7	70654987	-	1	CLIP, lens-segment retaining

(Continued)

TAIL LIGHT (Continued)

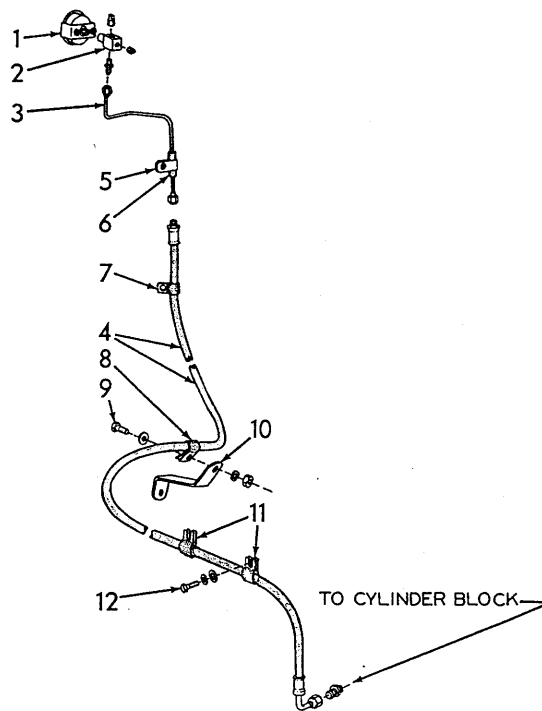
ITEM	PART NO.	QTY.		DESCRIPTION
		*	**	
8	70654986	-	1	WIRE ASSEMBLY, tail light (Includes insulating bushing)
9	70629189	1	-	GASKET, tail light lens
10	70067110	1	1	BRACKET, tail light mounting
11	70066862	1	1	CAPSCREW, 5/8"NF x 4"
	70904209	1	1	LOCKWASHER, 5/8"
	70911044	1	1	NUT, 5/8"NF
12	70067112	1	1	BLOCK, spacing, mounting bracket
13	-----	1	-	CABLE ASSEMBLY, tail light (Discontinued)
14	70655485	1	1	CABLE ASSEMBLY rear section (107" long. Includes item 15)
15	70208960	1	1	FUSE, cartridge type (1/4" x 1-1/4", 20 amperes)
16	70655484	1	1	CABLE, front section (44" long)
17	70640704	3	3	CLIP, cable (1/8" diam., 17/32" bolt-hole)
	70639388	3	3	CLIP, cable (1/8" diam., 13/32" bolt-hole)
	70035244	2	2	CAPSCREW, 3/8" NC x 3/4"
	70036032	1	1	CAPSCREW, 3/8" NF x 3/4"
	70911115	2	2	WASHER, plain, SAE std., 3/8"
	70904206	3	3	LOCKWASHER, 3/8"
	70911041	1	1	NUT, 3/8" NF
18	-----	1	1	SWITCH, lights (See INSTRUMENTS)



USAGE: Special Equipment

ITEM	PART NO.	QTY.	DESCRIPTION
1	70638283	1	LIGHT ASSEMBLY (See page 291)(Early units)
	70621429	1	LIGHT ASSEMBLY (See page 291A)(Late units)
	70900818	1	WASHER, plain, U.S. std., 1/2"
	70904208	1	LOCKWASHER, 1/2"
	70911043	1	NUT, 1/2"NF
2	70094630	1	BRACKET, mounting
	70911044	1	NUT, 5/8"NF
3	70075535	1	WASHER, mounting
4	70068367	1	CABLE, rear section (9" long)
5	70208960	1	FUSE, cartridge type (1/4" x 1-1/4", 20 amperes)
6	70655485	1	CABLE ASSEMBLY, intermediate section (107" long. Includes item 5)
7	70655484	1	CABLE, front section (44" long)
8	70640704	3	CLIP, cable (1/8" diam., 17/32" bolt-hole)
	70639388	3	CLIP, cable (1/8" diam., 13/32" bolt-hole)
	70035244	2	CAPSCREW, 3/8"NC x 3/4"
	70036034	1	CAPSCREW, 3/8"NF x 1"
	70911115	2	WASHER, plain, SAE std., 3/8"
	70904206	3	LOCKWASHER, 3/8"
	70911041	1	NUT, 3/8"NF
	9	-----	1

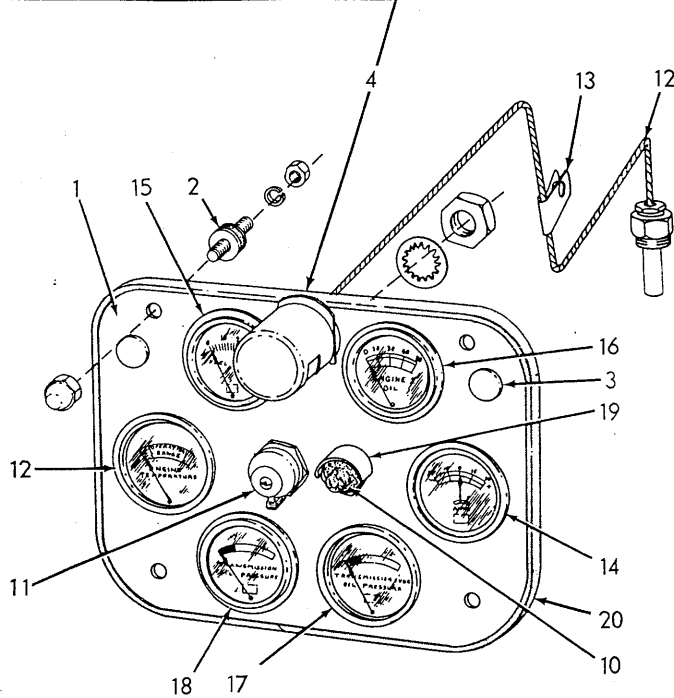
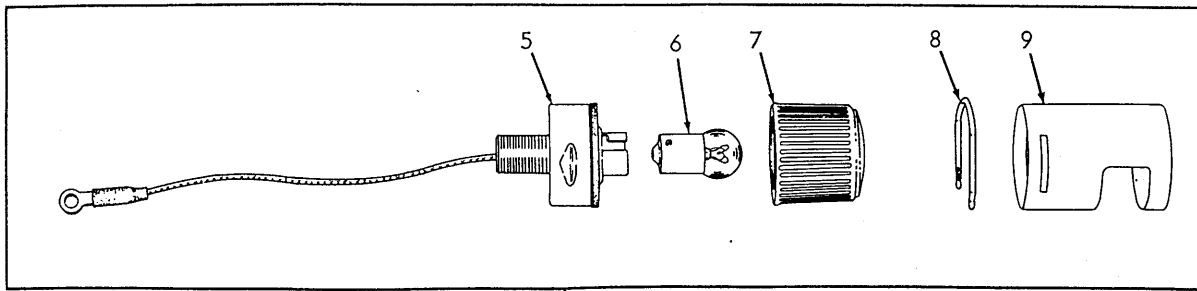
(Revised August 1979)



ENGINE OIL PRESSURE GAUGE

T-39353

ITEM	PART NO.	QTY.	DESCRIPTION
1	70658293	1	GAUGE, oil pressure (Includes mounting clamp)
2	70094450	1	TEE, pipe, 1/8"NPT
	70901651	1	PLUG, pipe, 1/8"NPT
	70901652	1	PLUG, pipe, 1/4"NPT (Not used when Hour Meter is installed)
3	70655695	1	TUBE ASSEMBLY (Includes nuts)
	70919171	1	CONNECTOR, flare type, 1/4" tube, 1/8"NPT male
4	70645081	1	HOSE (See HOSE PARTS)
	70919140	1	CONNECTOR, flare type, 1/4" tube, 1/4"NPT male
5	70051311	1	CLIP, tube supporting (5/8" diam., 17/32" bolt-hole)
6	70093972	1	BOOT, tube protecting (rubber)
7	70620063	1	CLIP, hose supporting (1/2" diam., 9/16" bolt-hole)(Used prior to tractor #13738)
8	70094527	1	CLIP, hose supporting (1/2" diam., 13/32" bolt-hole)(Used prior to tractor #13738)
	70644006	1	CLIP, hose supporting (9/16" diam., 17/32" bolt-hole)(Effective with tractor #13738)
9	70036034	1	CAPSCREW, 3/8"NF x 1"
	70911115	1	WASHER, plain, SAE std., 3/8"
	70904206	1	LOCKWASHER, 3/8"
	70911041	1	NUT, 3/8"NF
10	70098185	1	ANGLE, hose supporting (Tractors prior to #14605)
11	70620035	2	CLIP, hose supporting (1/2" diam., 13/32" bolt-slot)
12	70035244	1	CAPSCREW, 3/8"NC x 3/4"
	70904206	1	LOCKWASHER, 3/8"
	70911115	2	WASHER, plain, SAE std., 3/8"



T-39351

INSTRUMENTS

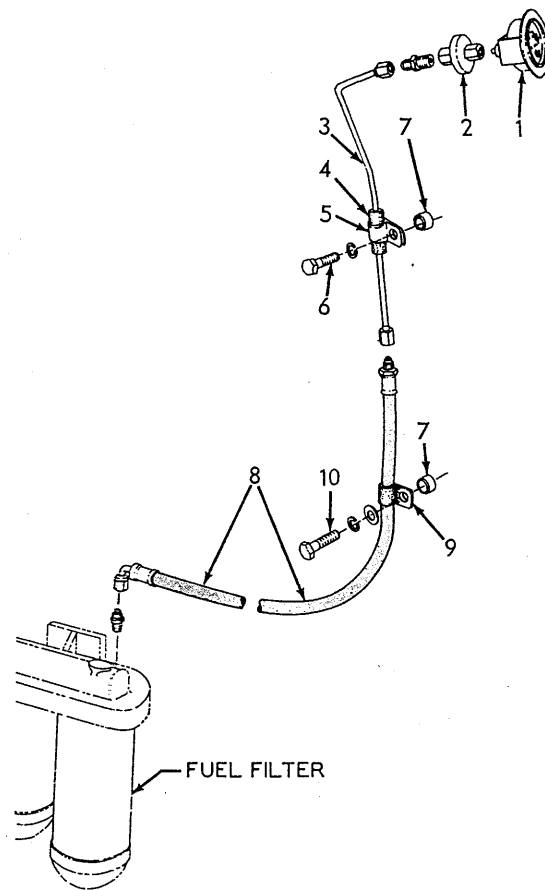
ITEM	PART NO.	QTY.	DESCRIPTION
1	70630207	1	PLATE, instrument mounting
2	70036032	4	CAPSCREW, 3/8"NF x 3/4" (Used prior to tractor #14262) Effective with tractor #14262
	70642746	4	
	70924950	4	
	70904206	4	
	70911041	4	
3	70921113	2	PLUG, instrument plate (11/16" switch holes)
4	70659003	1	LIGHT ASSEMBLY, instrument panel (Consists of items 5 thru 9)
	70911049	1	
	70910334	1	
	70924959	1	
5	-----	1	BASE ASSEMBLY (Not serviced separately)
6	70074452	1	BULB, instrument light (single contact, 6 c.p., 24 volts)
7	70095267	1	LENS, instrument light
8	70095265	1	SPRING, retaining, instrument light cover
9	70659002	1	COVER, instrument light

(Continued)

INSTRUMENTS (Continued)

ITEM	PART NO.	QTY.	DESCRIPTION
10	70240962	1	SWITCH ASSEMBLY, starter (Includes mounting nut)
11	70661345	1	SWITCH ASSEMBLY, lights (Includes mounting nut)
12	70658397	1	GAUGE, engine temperature (Includes mounting clamp)
13	70073809	1	CLIP, temperature gauge tube (3/16" diam., 13/32" bolt-hole)
	70035244	1	CAPSCREW, 3/8"NC x 3/4"
	70904206	1	LOCKWASHER, 3/8"
14	70658348	1	AMMETER (Includes mounting clamp)
15	-----	1	GAUGE, fuel pressure (See pages 298 and 299)
16	-----	1	GAUGE, engine oil pressure (See page 295)
17	-----	1	GAUGE, transmission lubricating oil pressure (See page 300)
18	-----	1	GAUGE, transmission hydraulic pressure (See page 301)
19	70634677	1	GUARD, starter switch
20	70642972	1	SEAL, weather, instrument panel (Effective with tractor #14262)

(Revised August 1979)

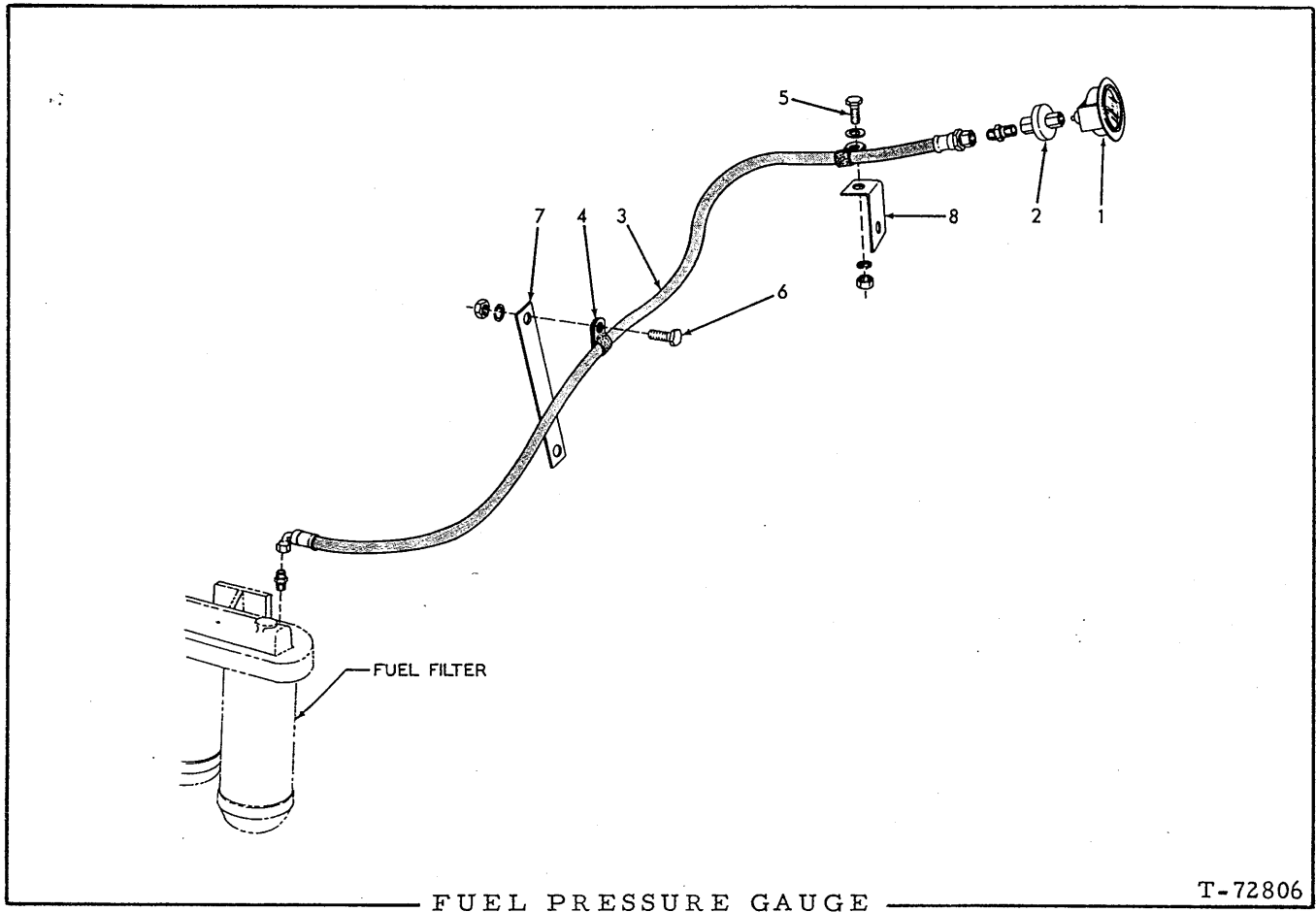


FUEL PRESSURE GAUGE

T-39354

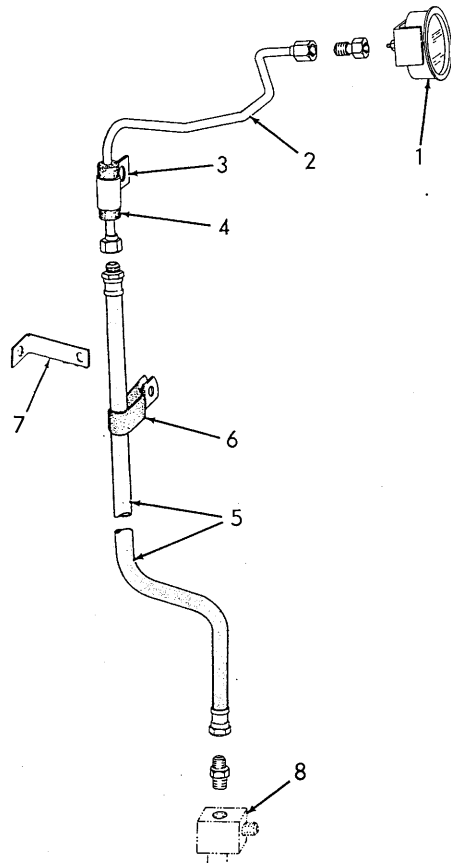
USAGE: Tractors prior to serial No. 14537 excluding Nos. 14496, 14507, 14509, 14511, 14513, 14522, 14523, 14524 and 14525.

ITEM	PART NO.	QTY.	DESCRIPTION
1	70658349	1	GAUGE (Includes mounting clamp)
2	-----	1	RESTRICTOR (Order 1 Fitting 70631769 and 1 Connector 70917509)
3	70655969	1	TUBE ASSEMBLY (Includes nuts)
	70919140	1	CONNECTOR, flare type, 1/4" tube, 1/4" NPT male
4	70093972	1	BOOT, tube protecting (rubber)
5	70047381	1	CLIP, tube supporting
6	70046419	1	CAPSCREW, 3/8" NF x 2" (Tractors prior to #13791)
	70013058	1	CAPSCREW, 3/8" NC x 1-1/4" (Tractors #13791 and up)
	70904206	1	LOCKWASHER, 3/8"
	70911041	1	NUT, 3/8" NF (Tractors prior to #13791)
7	70096228	2	SPACER, tube and hose clips (1" long) (Tractors prior to #13791)
	70087082	2	SPACER, tube and hose clips (1/2" long) (Tractors #13791 and up)
8	70645076	1	HOSE (See HOSE PARTS)
	70919171	1	CONNECTOR, flare type, 1/4" tube, 1/8" NPT male
9	70094527	1	CLIP, hose supporting (1/2" diam.) (Tractors prior to #13738)
	70644006	1	CLIP, hose supporting (9/16" diam.) (Tractors #13738 and up)
10	70046419	1	CAPSCREW, 3/8" NF x 2" (Tractors prior to #13791)
	70013058	1	CAPSCREW, 3/8" NC x 1-1/4" (Tractors #13791 and up)
	70911115	1	WASHER, plain, SAE std., 3/8"
	70904206	1	LOCKWASHER, 3/8"
	70911041	1	NUT, 3/8" NF (Tractors prior to #13791)



USAGE: Tractors serial No. 14537 and up including Nos. 14496, 14507, 14509, 14511, 14513, 14522, 14523, 14524 and 14525.

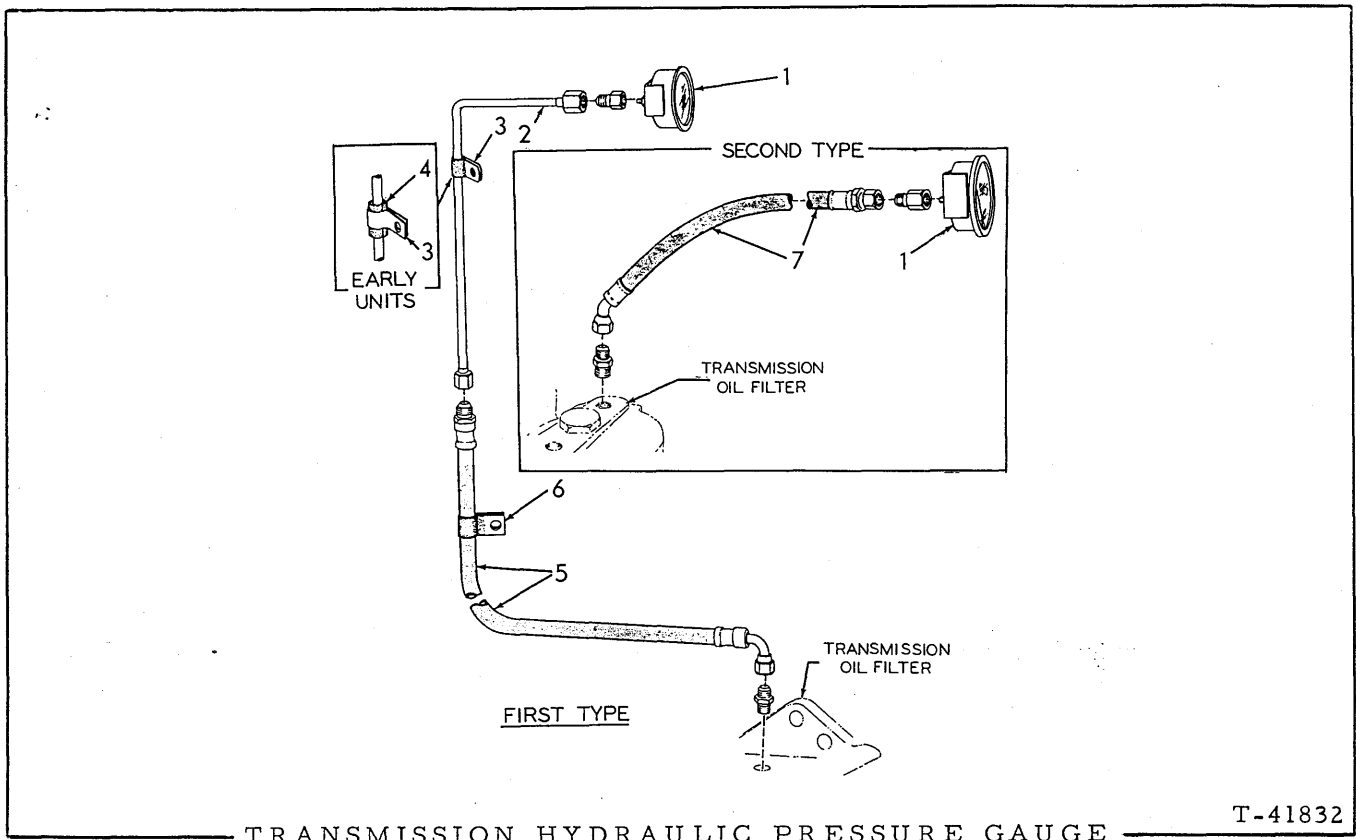
ITEM	PART NO.	QTY.	DESCRIPTION
1	70658349	1	GAUGE (Includes mounting clamp)
2	-----	1	RESTRICTOR (Order 1 Fitting 70631769 and 1 Connector 70917509)
3	70658799	1	HOSE (See HOSE PARTS)
	70919140	1	CONNECTOR, flare type, 1/4" tube, 1/4"NPT male
	70919171	1	CONNECTOR, flare type, 1/4" tube, 1/8"NPT female
4	70644006	2	CLIP, hose supporting
5	70036032	1	CAPSCREW, 3/8"NF x 3/4"
	70911115	1	WASHER, plain, SAE std., 3/8"
	70904206	1	LOCKWASHER, 3/8"
	70911041	1	NUT, 3/8"NF
6	70035718	1	CAPSCREW, 1/2"NC x 3/4"
	70904208	1	LOCKWASHER, 1/2"
	70911028	1	NUT, 1/2"NC
7	70637589	1	STRAP, hose supporting
8	70633497	1	ANGLE, hose supporting (Used prior to tractor #14803)



T-41833

TRANSMISSION LUBRICATING OIL PRESSURE GAUGE

ITEM	PART NO.	QTY.	DESCRIPTION
1	70658313	1	GAUGE (Includes mounting clamp)
2	70630706	1	TUBE ASSY. (Includes nuts)
	70919174	1	CONNECTOR, flare type, 1/4" tube, 1/8"NPT female
3	70632759	1	CLIP, tube supporting
4	70093972	1	BOOT, tube protecting (rubber)
5	70643971	1	HOSE (See HOSE PARTS)
	70919140	1	CONNECTOR, flare type, 1/4" tube, 1/4"NPT male
6	70632755	1	CLIP, hose supporting (1/2" diam.)(Tractors prior to #13738)
	70644908	1	CLIP, hose supporting (For two 9/16" diam. lines) (Tractors #13738 and up)
7	70632436	1	BRACKET, hose supporting (Tractor #14803 and up)
8	-----	1	ELBOW (See TRANSMISSION)



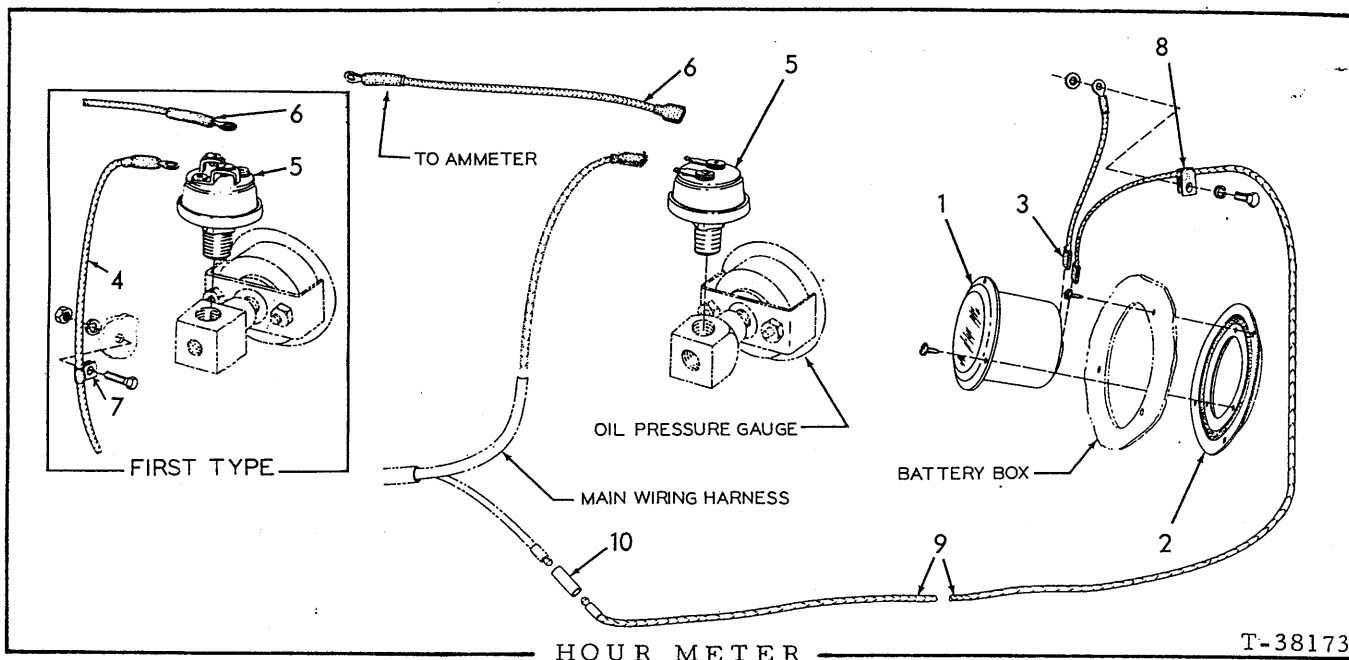
TRANSMISSION HYDRAULIC PRESSURE GAUGE

T-41832

* Tractors prior to serial No. 14537 excluding EXCEPTIONS below
 ** Tractors serial No. 14537 and up including EXCEPTIONS below

ITEM	PART NO.	QTY.		DESCRIPTION
		*	**	
1	70666185	1	1	GAUGE (Includes mounting clamp)
2	70655968	1	-	TUBE ASSEMBLY (Includes nuts)
	70919174	1	-	CONNECTOR, flare type, 1/4" tube, 1/8"NPT female
3	70047381	1	-	CLIP, tube supporting (5/8" diam.)(Tractors prior to #13791)
	70640677	1	-	CLIP, tube supporting (1/4" diam.)(Tractors #13791 and up)
4	70093972	1	-	BOOT, tube protecting (rubber)(Tractors prior to #13791)
5	70645080	1	-	HOSE ASSEMBLY (See HOSE PARTS)
	70919140	1	-	CONNECTOR, flare type, 1/4" tube, 1/4"NPT male
6	70094527	2	-	CLIP, hose supporting (1/2" diam.)(Tractors prior to #13738)
	70644006	2	-	CLIP, hose supporting (9/16" diam.)(Tractors #13738 and up)
7	70645075	-	1	HOSE (See HOSE PARTS)
	70919140	-	1	CONNECTOR, flare type, 1/4" tube, 1/4"NPT male
	70919174	-	1	CONNECTOR, flare type, 1/4" tube, 1/8"NPT female

TRACTOR EXCEPTIONS: Serial Nos. 14496, 14507, 14509, 14511, 14513, 14522, 14523, 14524 and 14525.



USAGE: Special Equipment

* Tractors prior to serial No. 13062

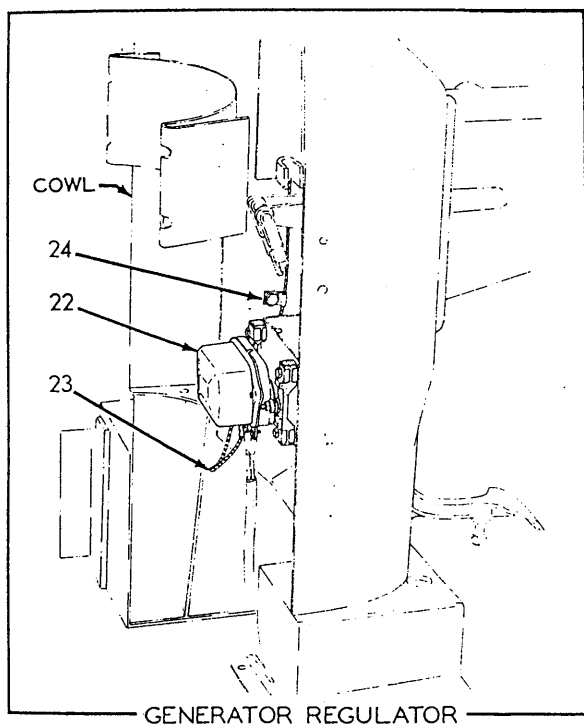
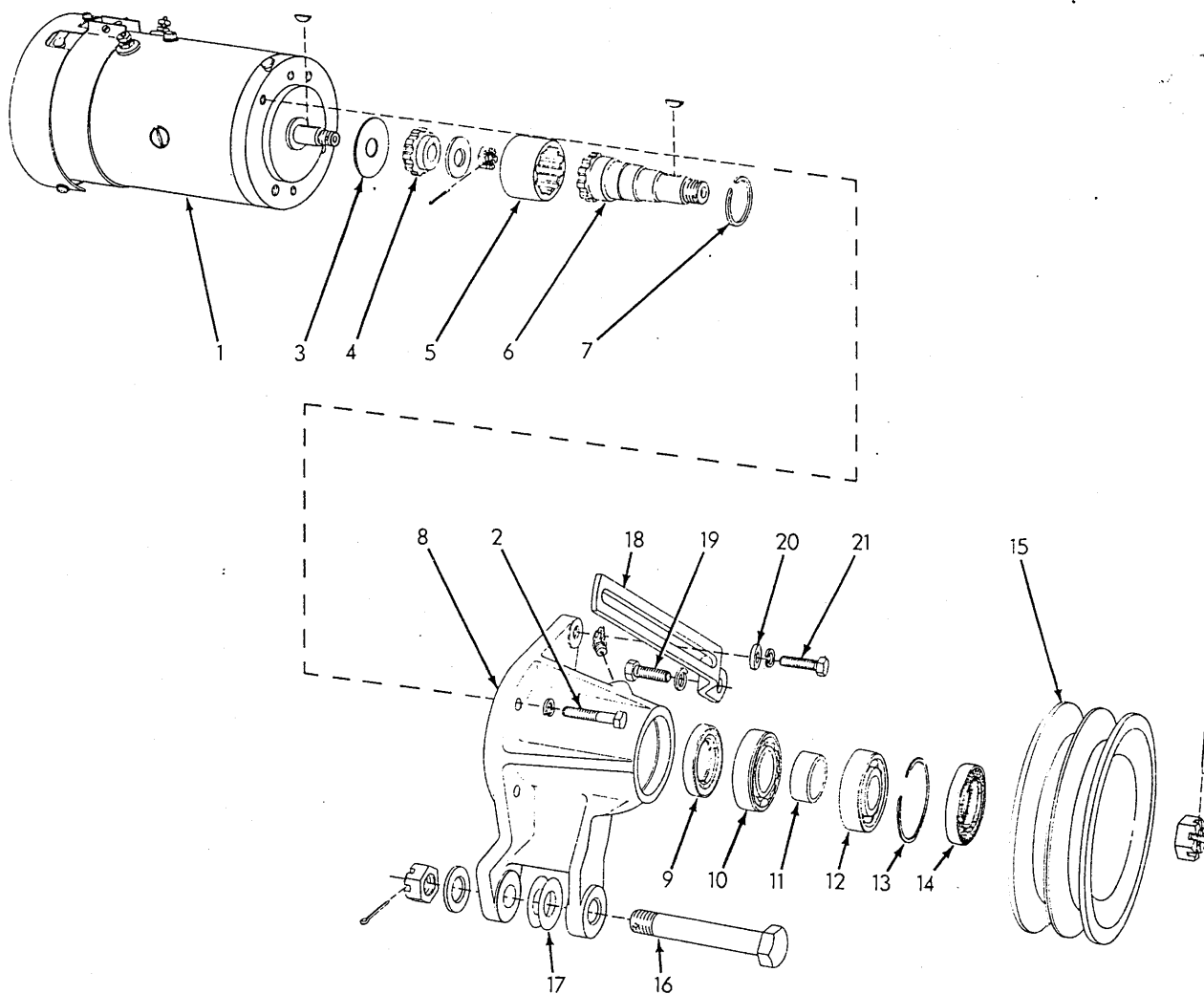
** Tractors serial No. 13062 and up

ITEM	PART NO.	QTY.		DESCRIPTION
		*	**	
1	70650299	1	1	METER (See NOTE below)
	70918210	3	3	SCREW, thread-cutting, #6 x 1/2" (Includes lockwasher)

NOTE: Meter carries manufacturer's warranty and in case of failure should not be returned to Fiat-Allis. Return "Hobbs" meter to nearest "Stewart-Warner" agency. Return "Hamilton" meter to Hamilton Watch Company, Industrial Products Division, Lancaster, Pa.

2	70066467	1	1	DAMPER, vibration
	70918210	3	3	SCREW, thread-cutting, #6 x 1/2" (Includes lockwasher)
3	70630917	1	1	CABLE, meter to ground (8" long)
4	70633629	1	-	CABLE, meter to pressure switch (160" long)
5	70050288	1	-	SWITCH, pressure (screw terminals)
	70640727	-	1	SWITCH, pressure (spade terminals)
6	70605808	1	-	CABLE, pressure switch to ammeter (10" long, screw terminal)
	70630917	-	1	CABLE, pressure switch to ammeter (8" long, spade terminal)
7	70639388	4	-	CLIP, cable supporting (13/32" bolt-hole)
	70036032	2	-	CAPSCREW, 3/8"NF x 3/4"
	70904206	2	-	LOCKWASHER, 3/8"
	70911041	1	-	NUT, 3/8"NF
8	70640707	2	2	CLIP, cable supporting (9/32" bolt-hole)
	70905655	2	2	CAPSCREW, 1/4"NC x 2"
	70904204	2	2	LOCKWASHER, regular, 1/4"
	70909367	1	1	LOCKWASHER, internal teeth, 1/4" (grounding)
9	70640706	-	1	CABLE, meter to main harness (115" long)
10	70048142	-	1	CONNECTOR, cable

MEMO



GENERATOR REGULATOR

GENERATOR

T-19679

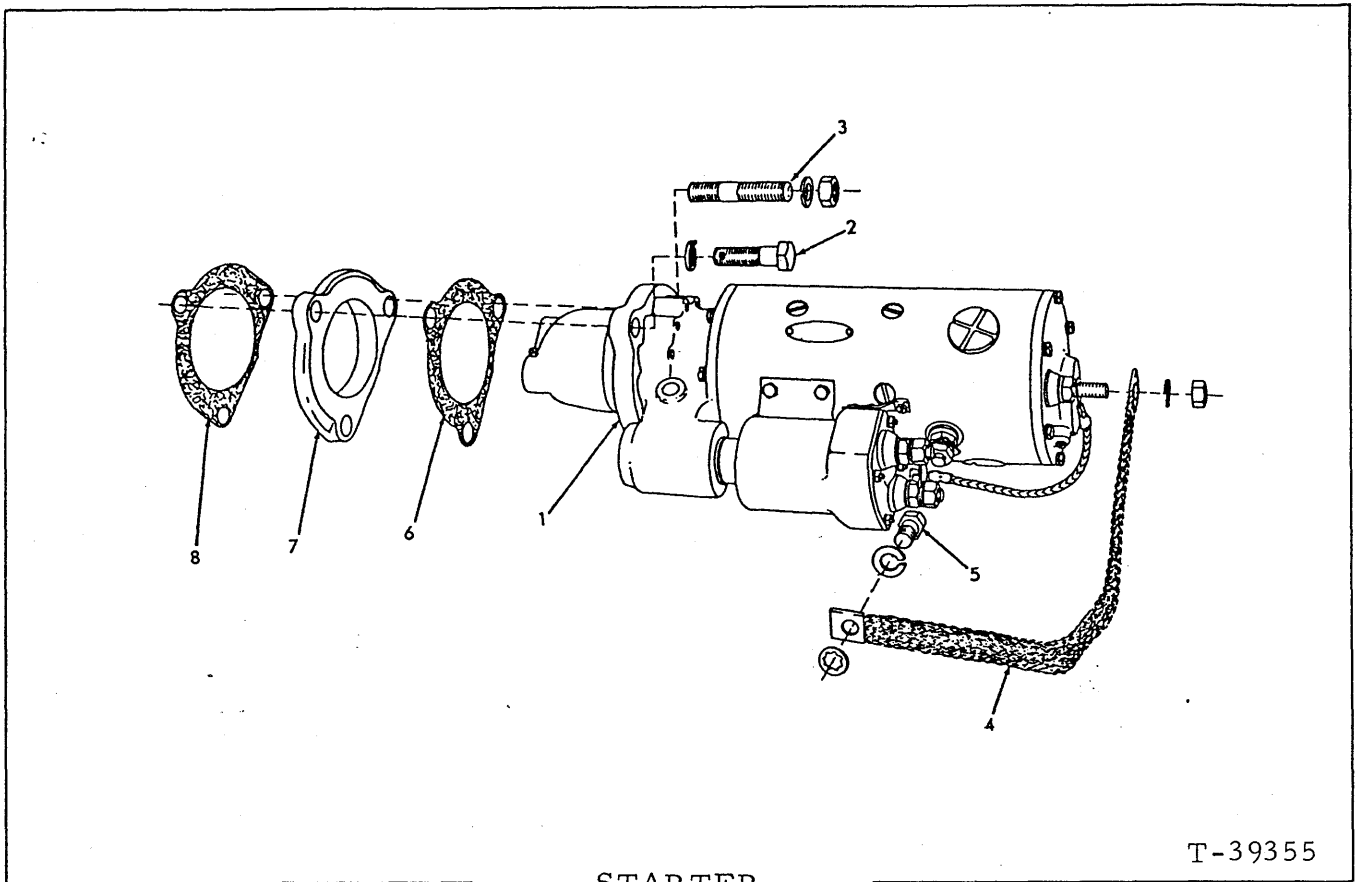
GENERATOR

ITEM	PART NO.	QTY.	DESCRIPTION
			<u>NOTE:</u> See FAN for driving belts
1	70094625	1	GENERATOR(Includes Key 70905121)("Delco-Remy" #1105997. Order parts from local "United Motors" service agency)
	70905121	1	KEY, #5 woodruff, 1/8" x 5/8"
2	70013058	4	CAPSCREW, 3/8"NC x 1-1/4"
	70904206	4	LOCKWASHER, 3/8"
3	70067924	1	WASHER, generator shaft
4	70067923	1	PINION, generator shaft
	70910244	1	WASHER, plain, SAE std., 1/2"
	70913471	1	NUT, jam, slotted, 1/2"NF
	70900801	1	PIN, cotter, 3/32" x 3/4"
5	70096056	1	SLEEVE, coupling
6	70096092	1	SHAFT, generator drive
	70913472	1	NUT, jam, slotted, 3/4"NF
	70900807	1	PIN, cotter, 1/8" x 1-1/4"
	70905121	1	KEY, #5 woodruff, 1/8" x 5/8"
7	70052225	1	RING, snap, generator drive shaft
8	70096071	1	HOUSING, generator drive
	70915274	1	FITTING, lubricating, 45°, 1/8"NPT
9	70067914	1	SEAL, grease, rear
10	74253863	1	BEARING, ball, rear
11	70096046	1	SLEEVE, bearing spacing
12	70067916	1	BEARING, ball, front
13	70050291	1	RING, snap, bearing retaining
14	70067913	1	SEAL, grease, front
15	70096093	1	PULLEY
16	70076522	1	CAPSCREW, generator drive housing
	70912331	1	NUT, slotted, 3/4" NF
	70900808	1	PIN, cotter, 1/8" x 1-1/2"
	70910255	1	WASHER, plain, SAE std., 3/4"
17	70083710	4	SHIM, housing mounting (Use as req'd)
18	70083399	1	STRAP, generator adjustment
19	70041250	1	CAPSCREW, generator strap (7/16"NC x 1-1/4")
	70904207	1	LOCKWASHER, 7/16"
20	70044973	1	WASHER, plain, generator strap
21	70013058	1	CAPSCREW, generator strap (3/8"NC x 1-1/4")
	70904206	1	LOCKWASHER, 3/8"

(Continued)

GENERATOR (Continued)

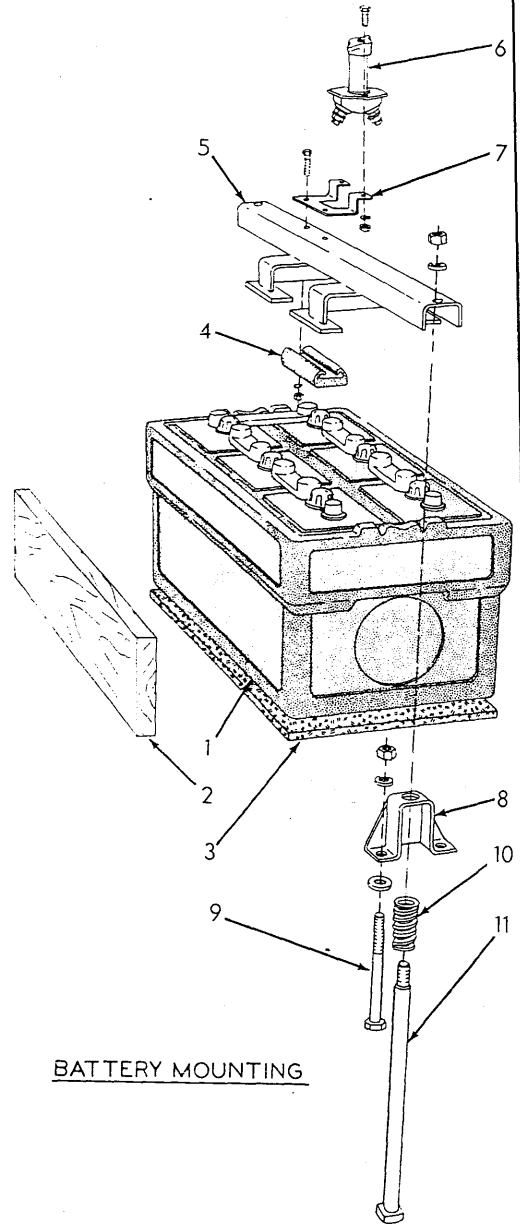
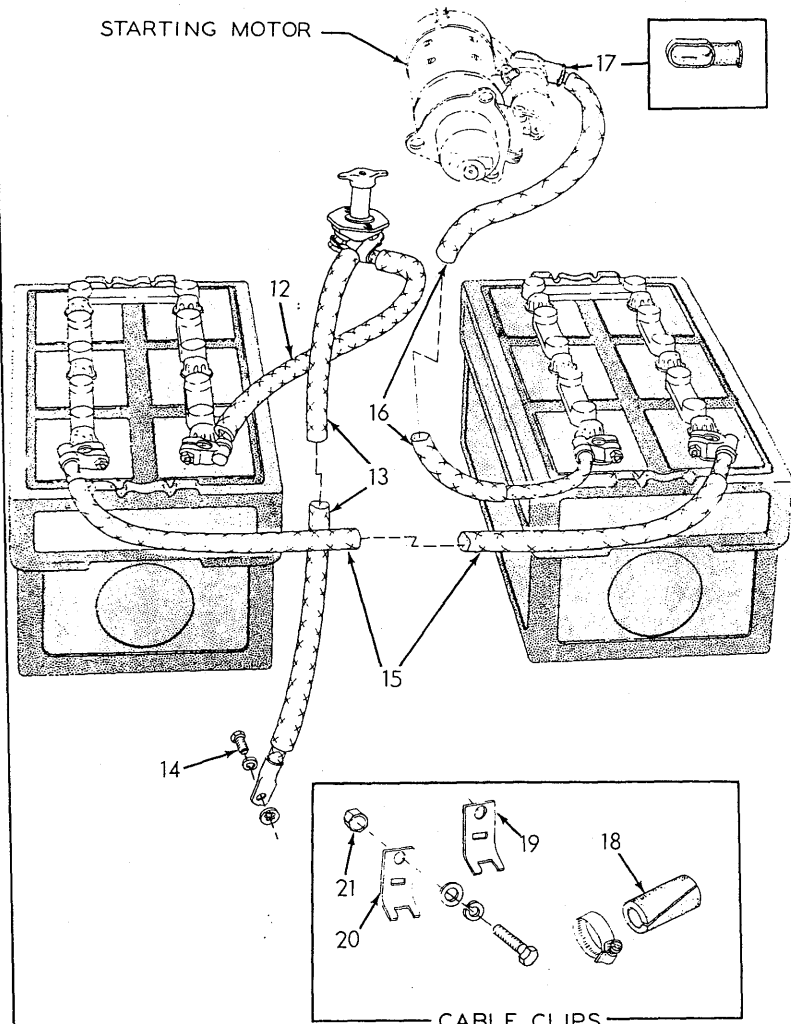
ITEM	PART NO.	QTY.	DESCRIPTION
22	70185984	1	REGULATOR, voltage and current (Order parts from local "United Motors" service agency)
	70912178	4	CAPSCREW, 1/4"NF x 1-1/2"
	70904204	4	LOCKWASHER, 1/4"
	70911040	4	NUT, 1/4"NF
23	70096619	1	CABLE, regulator to ammeter and switch (Used prior to tractor #13062 only. This cable is part of main wiring harness on later units)
24	70605822	1	CLIP, supporting, regulator cable (Used prior to tractor #13062)
	70035167	1	CAPSCREW, 3/8"NF x 7/8"
	70904206	1	LOCKWASHER, 3/8"
	70911041	1	NUT, 3/8"NF



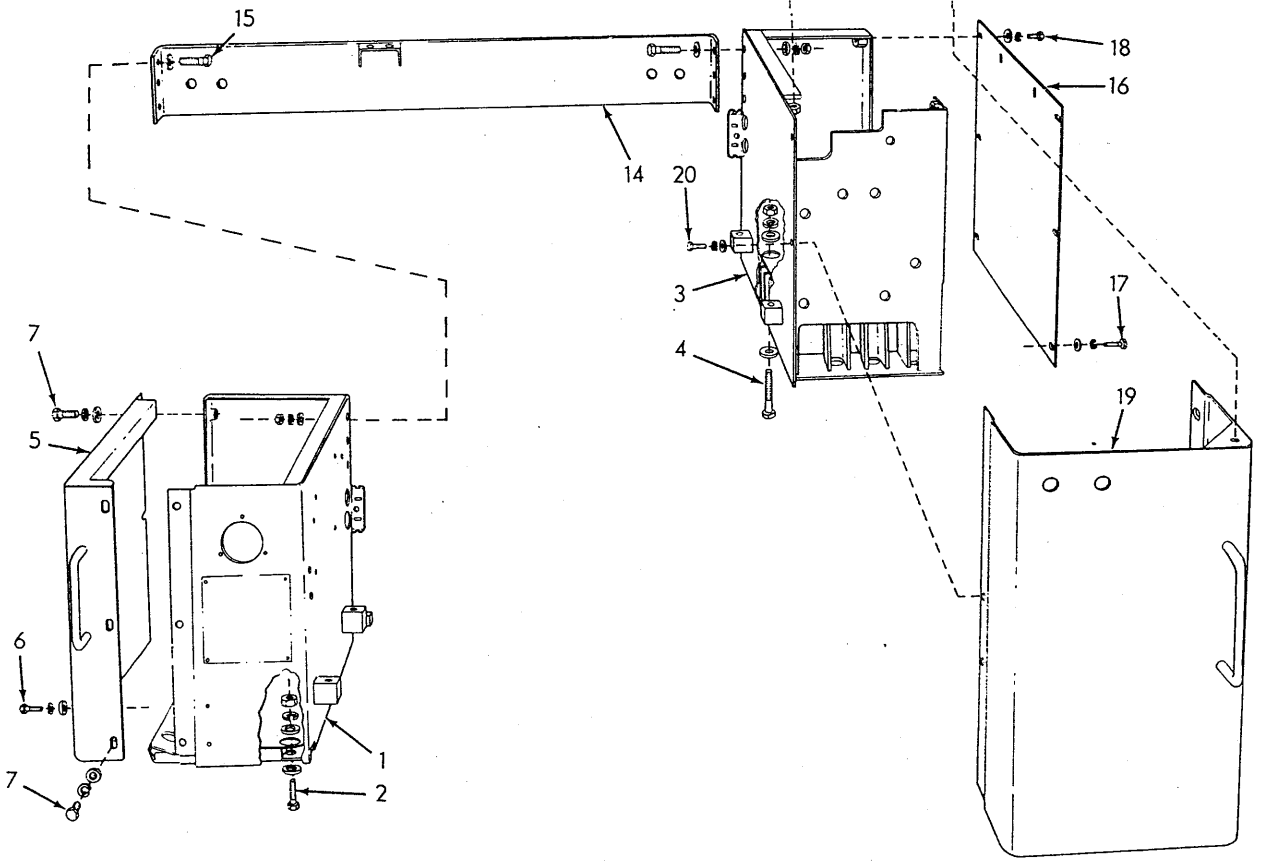
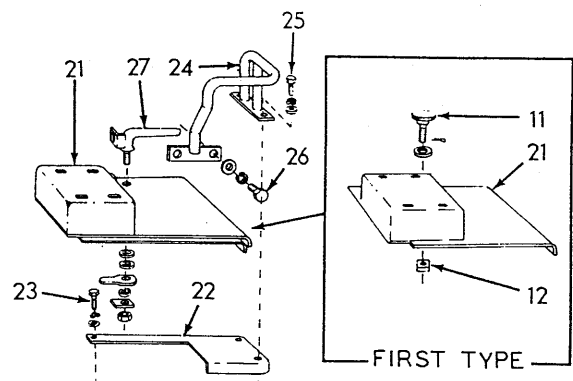
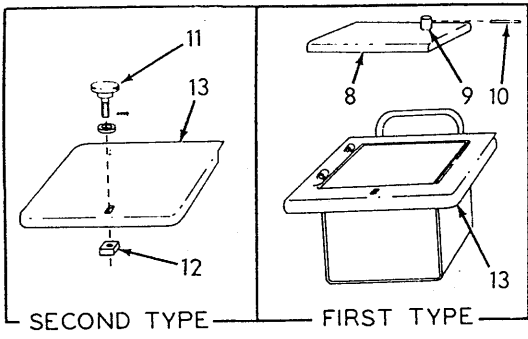
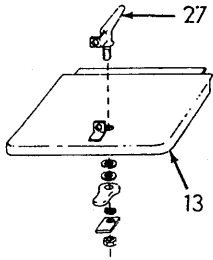
STARTER

T-39355

ITEM	PART NO.	QTY.	DESCRIPTION
1	74387529	1	MOTOR, starting ("Delco-Remy" #1113898)(Standard)
	70620350	1	MOTOR, starting ("Delco-Remy" #1109986)(Heavy-duty)
2	70928839	2	CAPSCREW, Nylok, 5/8"NC x 2-1/4"
3	70648262	1	STUD, Nylok, 5/8"NC x 5/8"NF x 3-1/8"
	70912942	3	LOCKWASHER, 5/8"
	70911044	1	NUT, 5/8"NF
<u>NOTE:</u> Order starter parts from local Service agency.			
4	70630199	1	STRAP, starter to ground
5	70927158	1	CAPSCREW, 1/2"NF x 1"
	70912441	1	LOCKWASHER, regular, 1/2"
	70906961	1	LOCKWASHER, int-tooth, 1/2"
6	70631573	1	GASKET, starting motor
7	70631574	1	ADAPTER, starting motor
8	70631572	1	GASKET, starting motor adapter



ITEM	PART NO.	QTY.	DESCRIPTION
			BATTERIES AND CABLES
1	70695472	2	BATTERY, 12 volts, dry charged (Each requires 16.2 gts. electrolyte)
	70243526	1	ELECTROLYTE (One 6-qt. container with self-contained dispensing hose)
	70243527	1	ELECTROLYTE (One 5-gal. container less dispensing hose)
	70243528	1	HOSE (For use with 5-gal. container)(Reusable)
2	-----	-	BOARD, battery spacing (Procure locally as required)
3	70085680	2	PAD, battery bottom
4	70052791	8	BLOCK, hold-down (rubber)
5	70052782	2	HOLD-DOWN, battery
6	79010713	1	SWITCH ASSY., master (Serviced only as a unit)
	70912789	2	CAPSCREW, 1/4"NF x 3/4"
	70904204	2	LOCKWASHER, 1/4"
	70911040	2	NUT, 1/4"NF
7	70637580	1	BRACKET, master switch
	70912789	2	CAPSCREW, 1/4"NF x 3/4"
	70904204	2	LOCKWASHER, 1/4"
	70911040	2	NUT, 1/4"NF
8	70081867	4	BRACKET, hold-down bolt
9	70916323	4	CAPSCREW, 1/2"NC x 5-1/2"(Left side)
	70915967	4	CAPSCREW, 1/2"NC x 3"(Right side. Not used with heavy fenders)
	70035073	4	CAPSCREW, 1/2"NF x 1-3/4"(Right side. For heavy fenders only)
	70064531	8	WASHER, plain
	70904208	8	LOCKWASHER, 1/2"
	70911028	8	NUT, 1/2"NC (Not used with heavy fenders)
10	70081404	4	SPRING, hold-down bolt
11	70087313	4	BOLT, hold-down
	70904208	4	LOCKWASHER, 1/2"
	70911043	4	NUT, 1/2"NF
12	70096918	1	CABLE, battery to master switch (15-1/2" long)
13	70627428	1	CABLE, master switch to ground (58"long)
14	70036034	1	CAPSCREW, 3/8"NF x 1"
	70904206	1	LOCKWASHER, 3/8"
	70906960	1	LOCKWASHER, internal teeth, 3/8"
15	70632971	1	CABLE, battery connecting (72" long)
16	70622064	1	CABLE, battery to starter (126-3/4" long)
17	70076572	1	BOOT, protecting, starter terminal
18	70076469	13	BOOT, cable protecting
	70921912	14	CLAMP, hose, 1-1/16" to 2" diam.
19	70633653	4	CLIP, cable supporting
	70035167	2	CAPSCREW, 3/8"NF x 7/8"
	70903775	2	CAPSCREW, 3/8"NC x 7/8"
	70904206	4	LOCKWASHER, 3/8"
20	70084895	5	CLIP, cable supporting
	70035167	2	CAPSCREW, 3/8"NF x 7/8"
	70036039	1	CAPSCREW, 3/8"NF x 1-3/8"
	70904206	3	LOCKWASHER, 3/8"
	70911115	5	WASHER, plain, SAE std., 3/8"
	70035221	1	CAPSCREW, 1/2"NC x 1"
	70904208	1	LOCKWASHER, 1/2"
	70064531	2	WASHER, plain (For spacing)
21	70087082	1	SPACER, cable supporting clip



BATTERY BOXES

T-41831

BATTERY BOXES

* Tractors prior to serial No. 14605
 ** Tractors serial No. 14605 and up

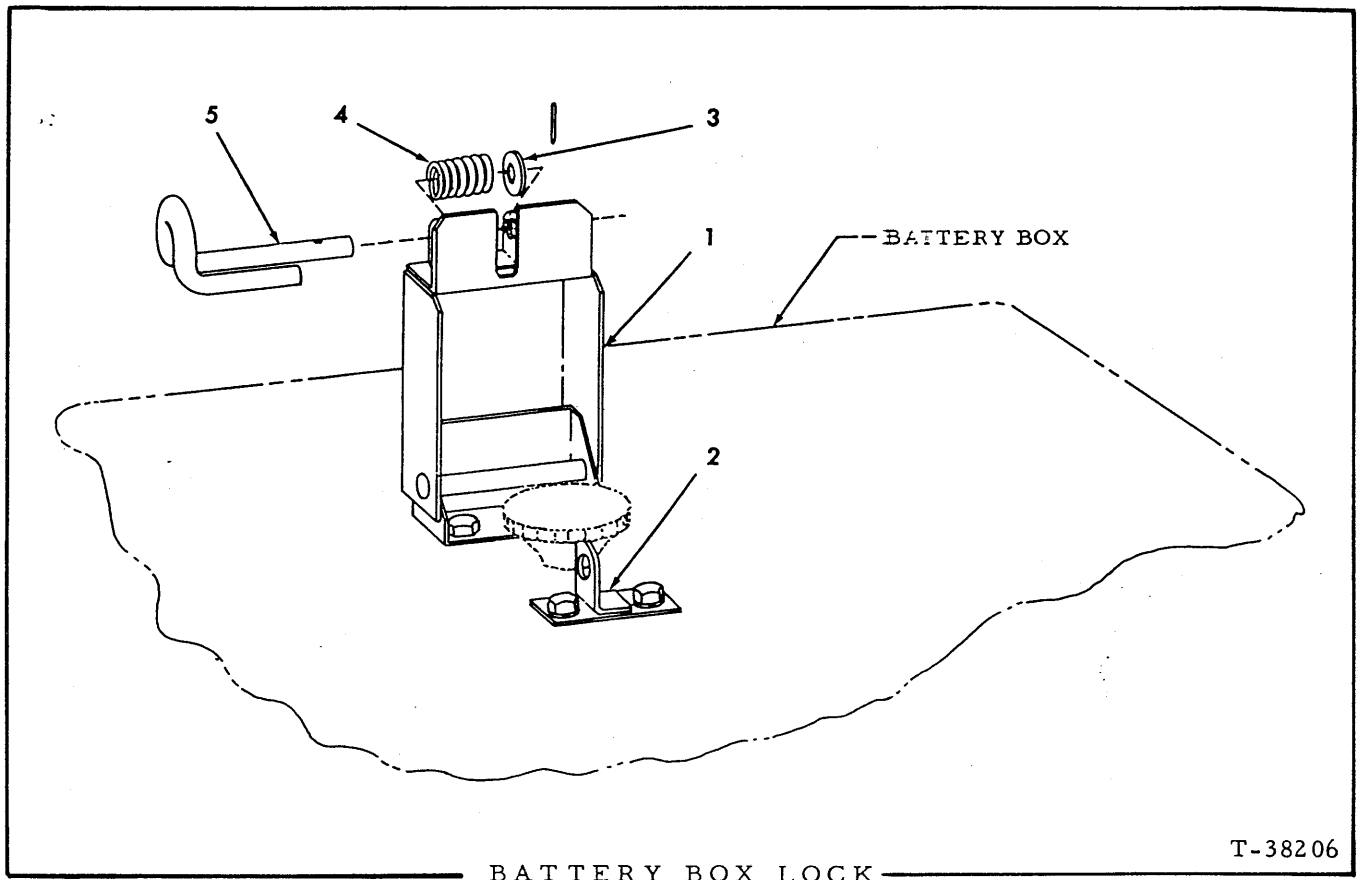
ITEM	PART NO.	QTY. * **	DESCRIPTION
1	-----	1 -	BOX, right battery (Order BOX 70650916, Cover 70650918, Lock 70650901 and 2 Washers 70911115)
	70650916	- 1	BOX, right battery
2	70035067	3 -	CAPSCREW, 1/2"NF x 2" (Early units)
	70921556	3 3	CAPSCREW, 1/2"NC x 2" (Late units)
	70064531	6 6	WASHER, plain
	70904208	3 3	LOCKWASHER, 1/2"
	70911043	3 -	NUT, 1/2"NF (Early units)
	70911028	3 3	NUT, 1/2"NC x (Late units) } Not used with heavy-duty fenders
3	-----	1 -	BOX, left battery (Order BOX 70650914, Cover 70654930, Lock 70650901 and 2 Washers 70911115)
	70650914	- 1	BOX, left battery
4	70031671	2 -	CAPSCREW, 1/2"NF x 4-1/2" (Early units)
	70045252	2 2	CAPSCREW, 1/2"NC x 4-1/2" (Late units)
	70064531	4 4	WASHER, plain
	70904208	2 2	LOCKWASHER, 1/2"
	70911043	2 -	NUT, 1/2"NF (Early units)
	70911028	2 2	NUT, 1/2"NC (Late units) } Not used with heavy-duty fenders
5	70639905	1 1	COVER, side, right battery box
6	70614478	2 2	CAPSCREW, 1/2"NF x 1-3/8"
7	70614478	6 -	CAPSCREW, 1/2"NF x 1-3/8" (Early units)
	70035733	6 6	CAPSCREW, 1/2"NC x 1-3/8" (Late units)
	70904208	8 8	LOCKWASHER, 1/2"
	70064531	8 8	WASHER, plain
8	70633467	1 -	COVER ASSEMBLY, tool box (Includes items 10 and 11)(Used prior to tractor #13224)
9	70633158	1 -	FASTENER ASSEMBLY, tool box cover (Serviced only as a unit) (Used prior to tractor #13224)
10	70639439	1 -	PIN, tool box cover (Used prior to tractor #13224)
11	70091976	2 -	KNOB, retaining, battery box cover
	70910244	2 -	WASHER, plain, SAE std., 1/2"
	70900802	2 -	PIN, cotter, 3/32" x 1"
12	70624488	2 -	BLOCK, tapped
13	-----	1 -	COVER, top, right battery box (Also serves as tool box)(Used prior to tractor #13224. Order COVER 70641499)
	70641499	1 -	COVER, top, right battery box (Effective with tractor #13224)
	70650918	- 1	COVER, top, right battery
14	70639828	1 1	SUPPORT, battery box
15	70035073	6 6	CAPSCREW, 1/2"NF x 1-3/4"
	70047063	12 12	WASHER, plain
	70904208	6 6	LOCKWASHER, 1/2"
	70911043	6 6	NUT, 1/2"NF

(Continued)

BATTERY BOXES (Continued)

ITEM	PART NO.	QTY.		DESCRIPTION
		*	**	
16	70637532	1	1	COVER, side, left battery box
17	{ 70070467	1	-	CAPSCREW, 1/2"NF x 1" (Early units)
	{ 70035221	1	1	CAPSCREW, 1/2"NC x 1" (Late units)
18	{ 70614478	7	-	CAPSCREW, 1/2"NF x 1-3/8" (Early units)
	{ 70035733	7	7	CAPSCREW, 1/2"NC x 1-3/8" (Late units)
	70904208	8	8	LOCKWASHER, 1/2"
	70064531	8	8	WASHER, plain
19	70649123	1	1	COVER, end, left battery box
20	{ 70035525	2	-	CAPSCREW, 1/2"NF x 1-1/8" (Early units)
	{ 70035220	2	2	CAPSCREW, 1/2"NC x 1-1/8" (Late units)
	70904208	2	2	LOCKWASHER, 1/2"
	70064531	2	2	WASHER, plain
21	{ 70639862	1	-	COVER, top, left battery box, rear section
	{ 70654930	-	1	COVER, top, left battery box, rear section
22	{ 70639874	1	-	COVER, top, left battery box, front section
	{ 70639873	-	1	COVER, top, left battery box, front section
23	{ 70036034	1	-	CAPSCREW, 3/8"NF x 1" (Early units)
	{ 70035439	1	1	CAPSCREW, 3/8"NC x 1" (Late units)
	70904206	1	1	LOCKWASHER, 3/8"
	70044973	1	1	WASHER, plain
24	70639870	1	1	GUARD, speed shift lever
25	{ 70012992	2	-	CAPSCREW, 3/8"NF x 1-1/4" (Early units)
	{ 70013058	2	2	CAPSCREW, 3/8"NC x 1-1/4" (Late units)
26	70070960	2	2	CAPSCREW, 3/8"NC x 1-1/2"
	70904206	4	4	LOCKWASHER, 3/8"
	70044973	4	4	WASHER, plain
27	70650901	-	2	LOCK ASSEMBLY, battery box cover (Serviced only as a unit)
	70911115	-	4	WASHER, plain, SAE std., 3/8"

NOTE: See PAINTING AND MARKING for instruction plates and transfers



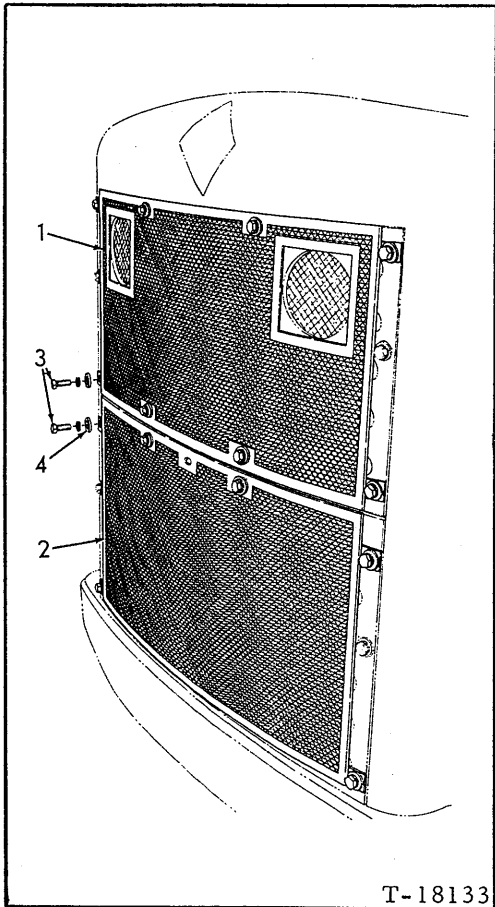
USAGE: Special Equipment. Padlock is required to complete the installation

ITEM	PART NO.	QTY.	DESCRIPTION
1	70620474	1	COVER, retaining knob
	70914330	2	CAPSCREW, 1/4"NF x 5/8"
	70904204	2	LOCKWASHER, 1/4"
	70911040	2	NUT, 1/4"NF
2	70620472	1	PLATE, latching, retaining knob cover
	70914330	2	CAPSCREW, 1/4"NF x 5/8"
	70904204	2	LOCKWASHER, 1/4"
	70911040	2	NUT, 1/4"NF
3	70607414	1	WASHER, latching spring
4	70035916	1	SPRING, latching rod
5	70621201	1	ROD, latching
	70916146	1	PIN, spring, 3/32" x 1/2"

GRILLE SCREEN (Standard Guard)

USAGE: Special equipment

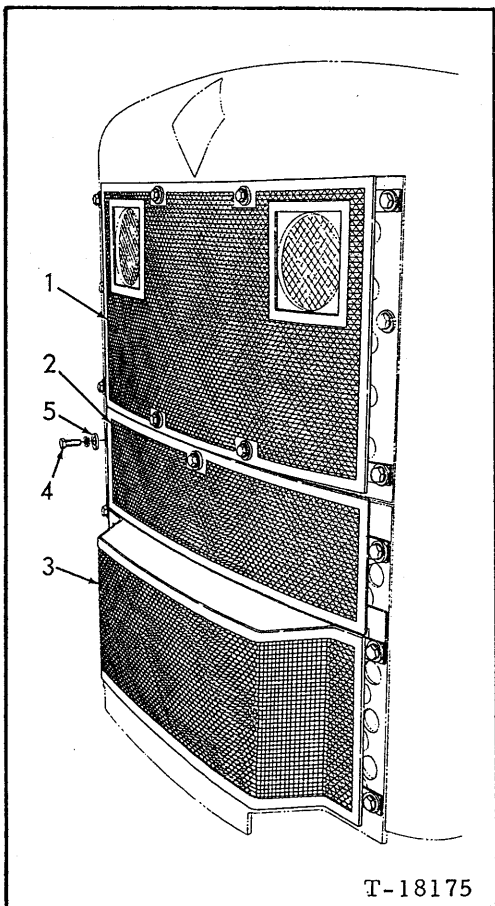
ITEM	PART NO.	QTY.	DESCRIPTION
1	70093915	1	SCREEN, upper section
2	70087924	1	SCREEN, lower section
3	70071113	14	CAPSCREW, screen attaching (5/8"NC x 2")
4	70904209	14	LOCKWASHER, 5/8"
	70064810	14	WASHER, plain



GRILLE SCREEN (Hydraulic Guard)

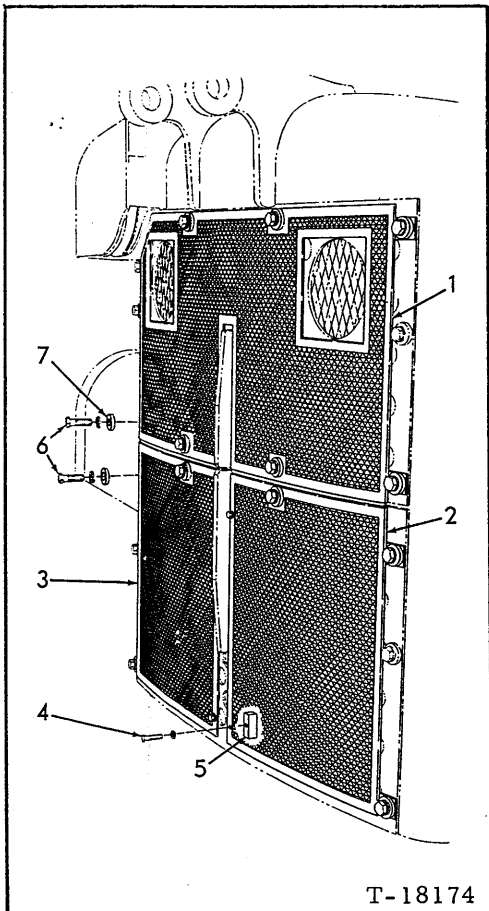
USAGE: Special equipment

1	70093915	1	SCREEN, upper section
2	70093852	1	SCREEN, lower section, upper half
3	70093894	1	SCREEN, lower section, lower half
4	70071113	15	CAPSCREW, screen attaching (5/8"NC x 2")
	70904209	15	LOCKWASHER, 5/8"
5	70064810	15	WASHER, plain



GRILLE SCREEN (Cable Guard)

USAGE: Special equipment. For units with rear-mounted CCU only.

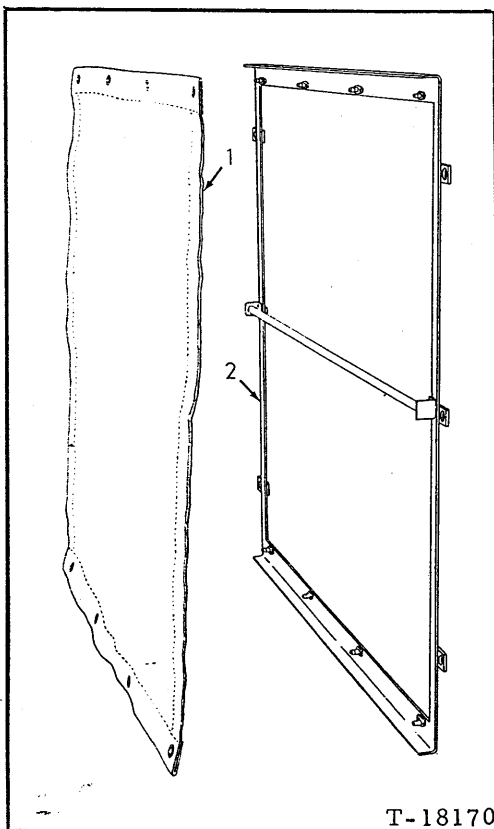


T-18174

ITEM	PART NO.	QTY.	DESCRIPTION
1	70093593	1	SCREEN, upper section
2	70088253	1	SCREEN, lower section, left
3	70088254	1	SCREEN, lower section, right
4	70203188	4	CAPSCREW, screen attaching (3/8"NF x 1-1/2")
	70904206	4	LOCKWASHER, 3/8"
5	70087849	4	BLOCK, screen attaching capscrew (3/8"NF thread)
6	70071113	14	CAPSCREW, screen attaching (5/8"NC x 2")
	70904209	14	LOCKWASHER, 5/8"
7	70064810	14	WASHER, plain

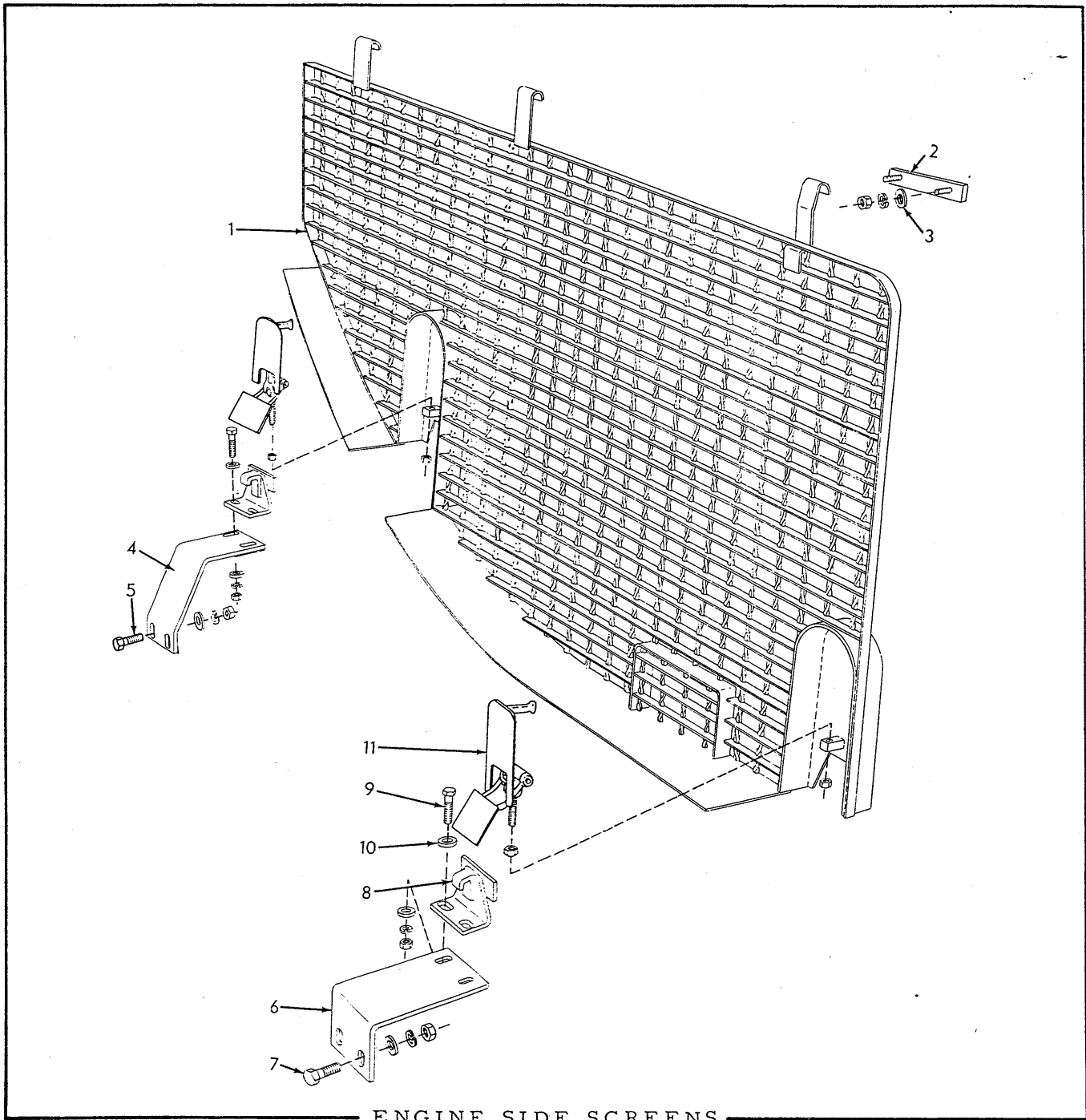
RADIATOR CURTAIN

USAGE: Special equipment. Cannot be used with push-type fan.



T-18170

1	70083008	1	CURTAIN, radiator
2	70651168	1	FRAME ASSEMBLY, curtain attaching (Includes fasteners)



ENGINE SIDE SCREENS

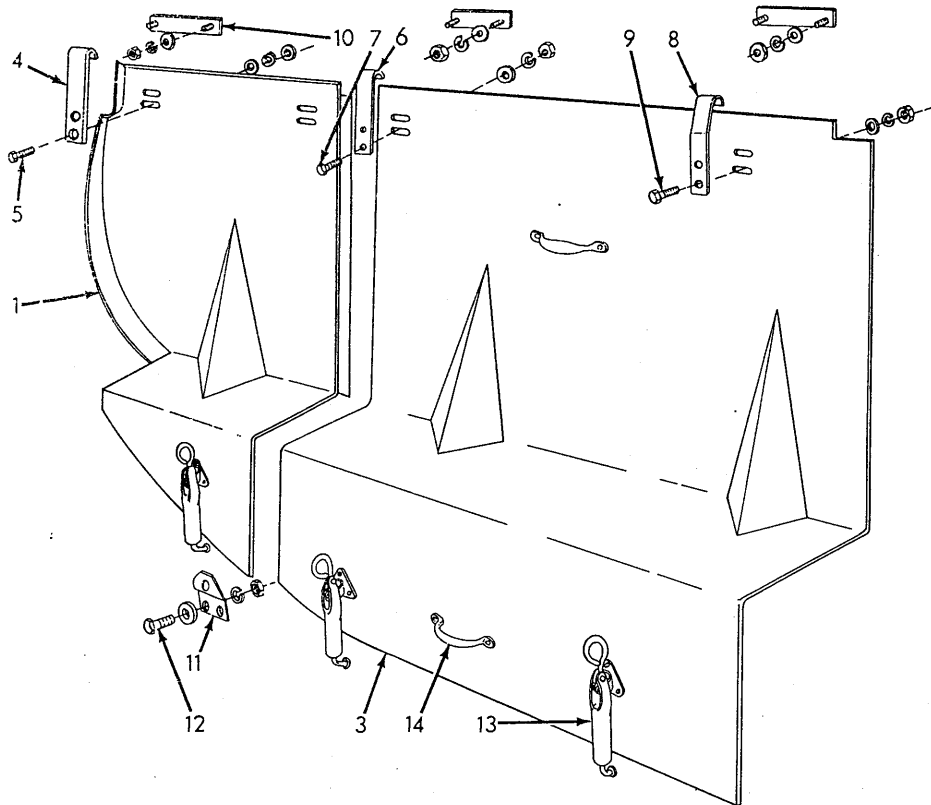
USAGE: Special Equipment Not for units with optional oil-bath air cleaner.

ITEM	PART NO.	QTY.	DESCRIPTION
1	70631317	1	SCREEN, left
	70642191	1	SCREEN, right
2	70631426	6	PLATE, suspension
3	70044973	12	WASHER, plain
	70904206	12	LOCKWASHER, 3/8"
	70911041	12	NUT, 3/8"NF

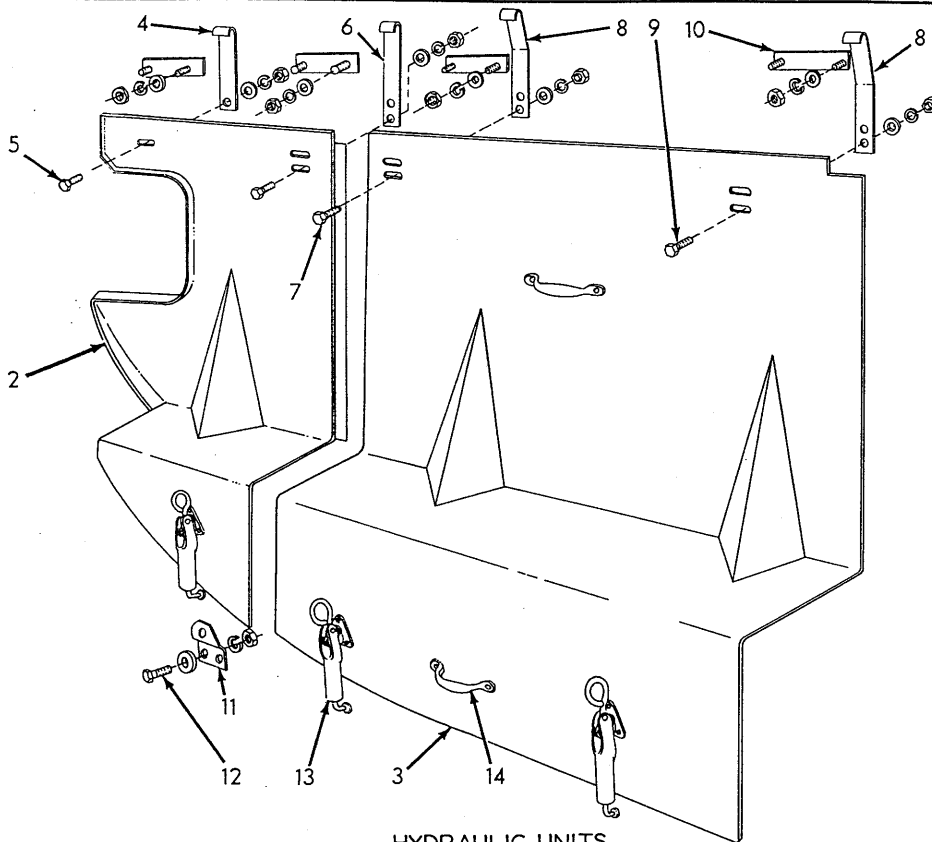
(Continued)

ENGINE SIDE SCREENS (Continued)

ITEM	PART NO.	QTY.	DESCRIPTION
4	70655852	2	ANGLE, front latch supporting
5	70035073	4	CAPSCREW, 1/2"NF x 1-3/4"
	70064531	4	WASHER, plain
	70904208	4	LOCKWASHER, 1/2"
	70911043	4	NUT, 1/2"NF
6	70630981	1	BRACKET, rear latch supporting, left
	70642192	1	BRACKET, rear latch supporting, right
7	70035073	4	CAPSCREW, 1/2"NF x 1-3/4"
	70064531	4	WASHER, plain
	70904208	4	LOCKWASHER, 1/2"
	70911043	4	NUT, 1/2"NF
8	70091063	4	BRACKET, latching
9	70203188	8	CAPSCREW, 3/8"NF x 1-1/2"
10	70044973	16	WASHER, plain
	70904206	8	LOCKWASHER, 3/8"
	70911041	8	NUT, 3/8"NF
11	70093401	4	LATCH ASSEMBLY (Serviced only as a unit)
	70911041	8	NUT, 3/8"NF
12	70633774	1	PLATE, closure (right side only)(Not illustrated)
13	70035073	2	CAPSCREW, 1/2"NF x 1-3/4"
14	70064531	2	WASHER, plain
	70904208	2	LOCKWASHER, 1/2"
	70911043	2	NUT, 1/2"NF



STANDARD AND CABLE UNITS



HYDRAULIC UNITS

HOOD SIDE PLATES

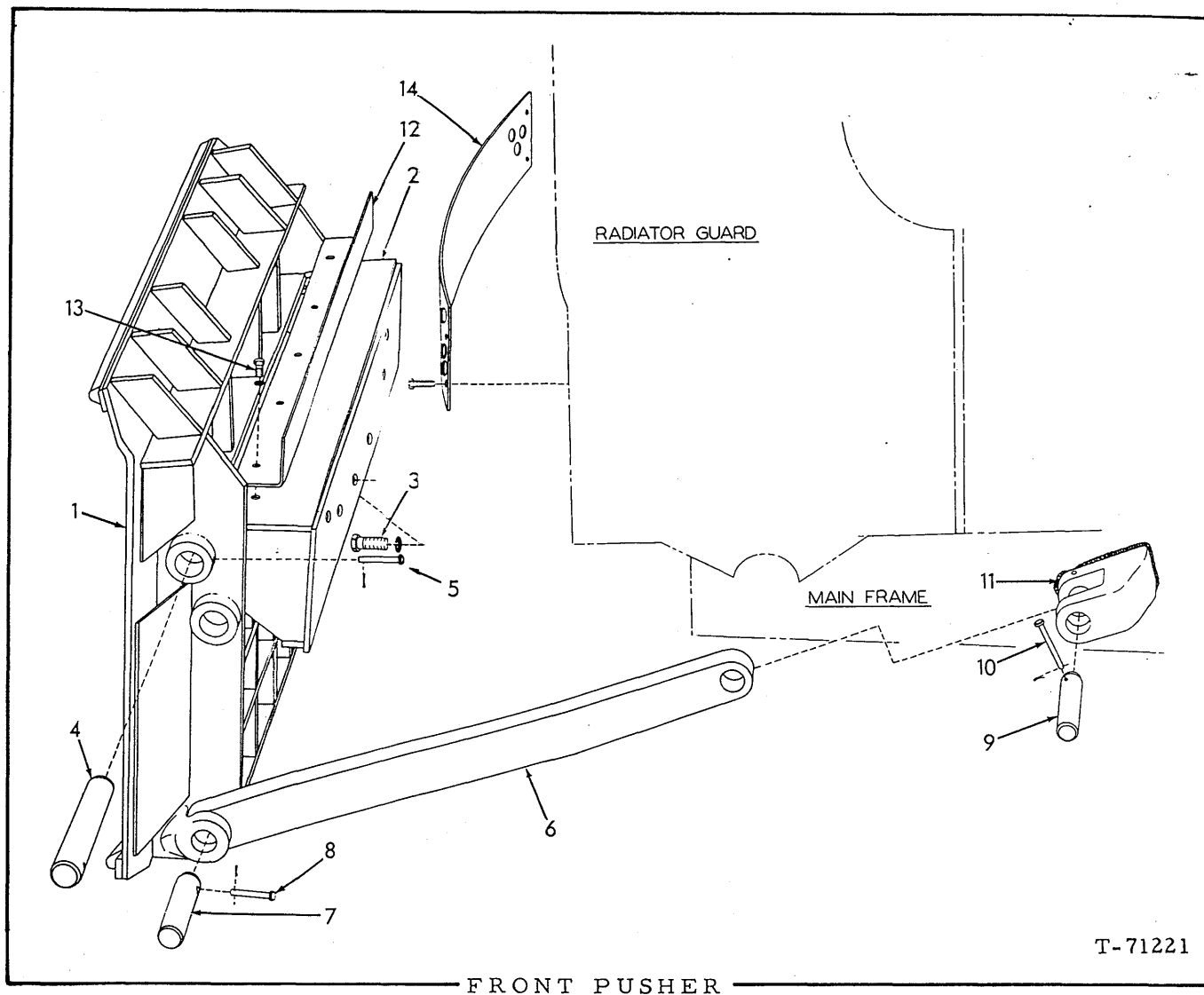
T-39357

HOOD SIDE PLATES

USAGE: Special equipment, Not for units with optional oil-bath air cleaner

* Tractors with standard or cable radiator guard
 ** Tractors with hydraulic radiator guard

ITEM	PART NO.	QTY.		DESCRIPTION
		*	**	
1	70633767	1	-	PLATE ASSEMBLY, front, left side (Includes item 13)
	70633768	1	-	PLATE ASSEMBLY, front, right side (Includes item 13)
2	70633775	-	1	PLATE ASSEMBLY, front, left side (Includes item 13)
	70633776	-	1	PLATE ASSEMBLY, front, right side (Includes item 13)
3	70633515	1	1	PLATE ASSEMBLY, rear, left side (Includes items 13 and 14)
	70633708	1	1	PLATE ASSEMBLY, rear, right side (Includes items 13 and 14)
4	70631514	2	-	STRAP, suspension, front
	70633983	-	2	STRAP, suspension, front
5	70035167	4	2	CAPSCREW, 3/8"NF x 7/8"
	70044973	4	2	WASHER, plain
	70904206	4	2	LOCKWASHER, 3/8"
	70911041	4	2	NUT, 3/8"NF
6	70631514	4	2	STRAP, suspension, intermediate
	70035167	8	4	CAPSCREW, 3/8"NF x 7/8"
	70044973	8	4	WASHER, plain
	70904206	8	4	LOCKWASHER, 3/8"
7	70911041	8	4	NUT, 3/8"NF
	70631513	2	4	STRAP, suspension, rear
	70035167	4	8	CAPSCREW, 3/8"NF x 7/8"
	70044973	4	8	WASHER, plain
8	70904206	4	8	LOCKWASHER, 3/8"
	70911041	4	8	NUT, 3/8"NF
	70631426	8	8	PLATE, suspension strap
	70044973	16	16	WASHER, plain
9	70904206	16	16	LOCKWASHER, 3/8"
	70911041	16	16	NUT, 3/8"NF
	70091805	6	6	BRACKET, latching
	70035018	12	12	CAPSCREW, 1/2"NF x 1-1/2"
10	70064531	12	12	WASHER, plain
	70904208	12	12	LOCKWASHER, 1/2"
	70911043	12	12	NUT, 1/2"NF
	70033060	6	6	FASTENER
11	70900764	18	18	RIVET, fl-hd., 3/16" x 1/2"
	70032834	4	4	HANDLE, lifting
12	70900764	8	8	RIVET, fl-hd., 3/16" x 1/2"
	70633774	1	1	PLATE, closure (right side only)(Not illustrated)
13	70035018	2	2	CAPSCREW, 1/2"NF x 1-1/2"
	70064531	2	2	WASHER, plain
	70904208	2	2	LOCKWASHER, 1/2"
	70911043	2	2	NUT, 1/2"NF



T-71221

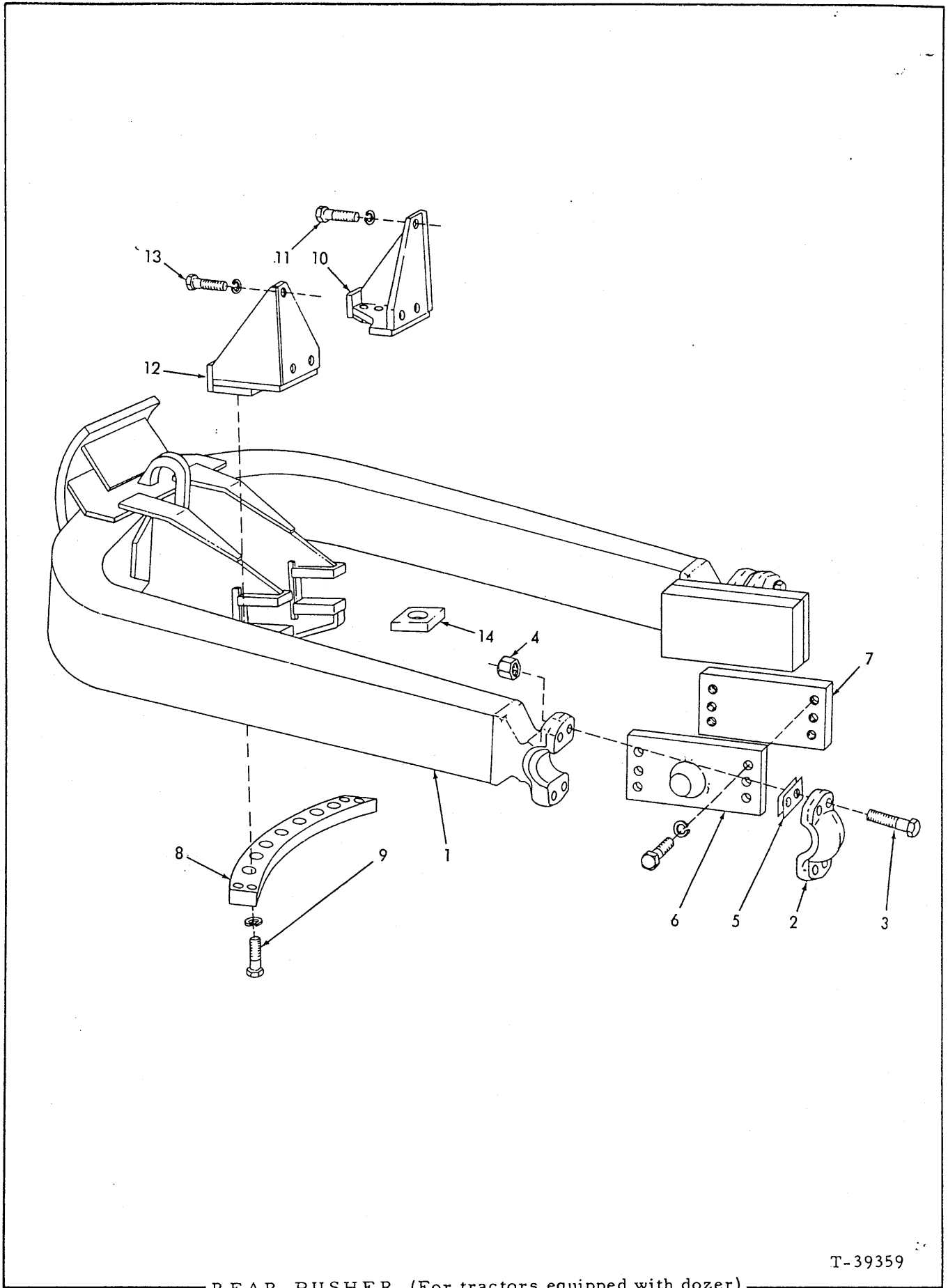
USAGE: Special Equipment. Not applicable to units equipped with Hydraulic Dozer

ITEM	PART NO.	QTY.	DESCRIPTION
1	70079886	1	PUSHER
2	70085238	1	BRACKET, supporting
3	70031055	6	CAPSCREW, 1"NF x 3-3/4"
	70910916	6	LOCKWASHER, 1"
	70911047	6	NUT, 1"NF
4	70078497	2	PIN, pusher mounting
5	70078508	2	PIN, retaining, pusher mounting pin
	70900806	2	PIN, cotter, 1/8" x 1"
6	70085289	2	STRUT, bracing
7	70080043	2	PIN, bracing strut, front
8	70080952	2	PIN, retaining, bracing strut front pin
	70900806	2	PIN, cotter, 1/8" x 1"

(Continued)

FRONT .PUSHER (Continued)

ITEM	PART NO.	QTY.	DESCRIPTION
9	70080043	2	PIN, bracing strut, rear
10	70080952	2	PIN, retaining, bracing strut rear pin
	70900806	2	PIN, cotter, 1/8" x 1"
11	70081291	2	LUG, strut attachment (Requires welding to main frame)
12	70085271	1	BAFFLE, air (See RADIATOR GUARD for standard baffle)
13	70035167	5	CAPSCREW, 3/8"NF x 7/8"
	70904206	5	LOCKWASHER, 3/8"
14	70093940	1	PLATE, radiator guard front closure (See RADIATOR GUARD for standard plate)



REAR PUSHER (For tractors equipped with dozer)

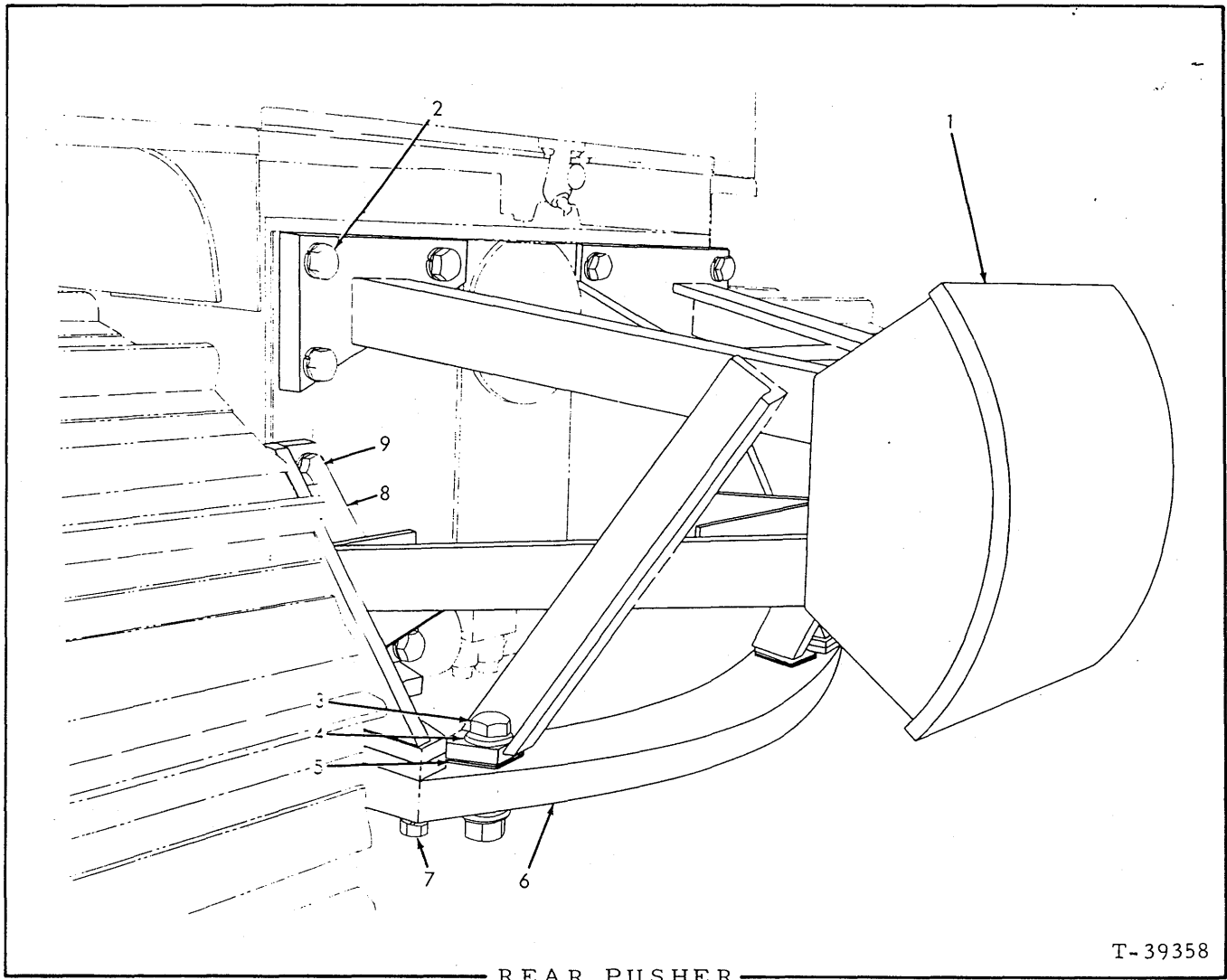
T-39359

REAR PUSHER

USAGE: Special equipment. For tractors equipped with dozer.

* Early units
 ** Late units

ITEM	PART NO.	QTY.		DESCRIPTION
		*	**	
1	70617941	1	-	PUSHER, rear
	70648551	-	1	PUSHER, rear
2	70617069	2	2	CAP, pusher
3	70077196	8	8	CAPSCREW, 1"NF x 5-3/4"
4	70600236	8	8	NUT, high, 1"NF
5	70615912	32	32	SHIM, pusher caps (Use as required)
6	70617921	2	2	TRUNNION
	70916372	12	12	CAPSCREW, 1"NF x 2-1/2"
	70910916	12	12	LOCKWASHER, 1"
7	70614585	2	2	PLATE, trunnion mounting (Requires welding to truck frame)
8	70078741	1	-	PLATE, supporting
9	70047138	4	-	CAPSCREW, 1-1/4"NF x 5"
	70904210	4	-	LOCKWASHER, 1-1/4"
10	70098145	1	-	BRACKET, supporting plate, left
11	70052361	3	-	CAPSCREW, 1-1/4"NF x 4"
	70904210	3	-	LOCKWASHER, 1-1/4"
12	70098146	1	-	BRACKET, supporting plate, right
13	70052361	3	-	CAPSCREW, 1-1/4"NF x 4"
	70904210	3	-	LOCKWASHER, 1-1/4"
14	70648543	-	1	BLOCK, spacing (Located on drawbar pin)

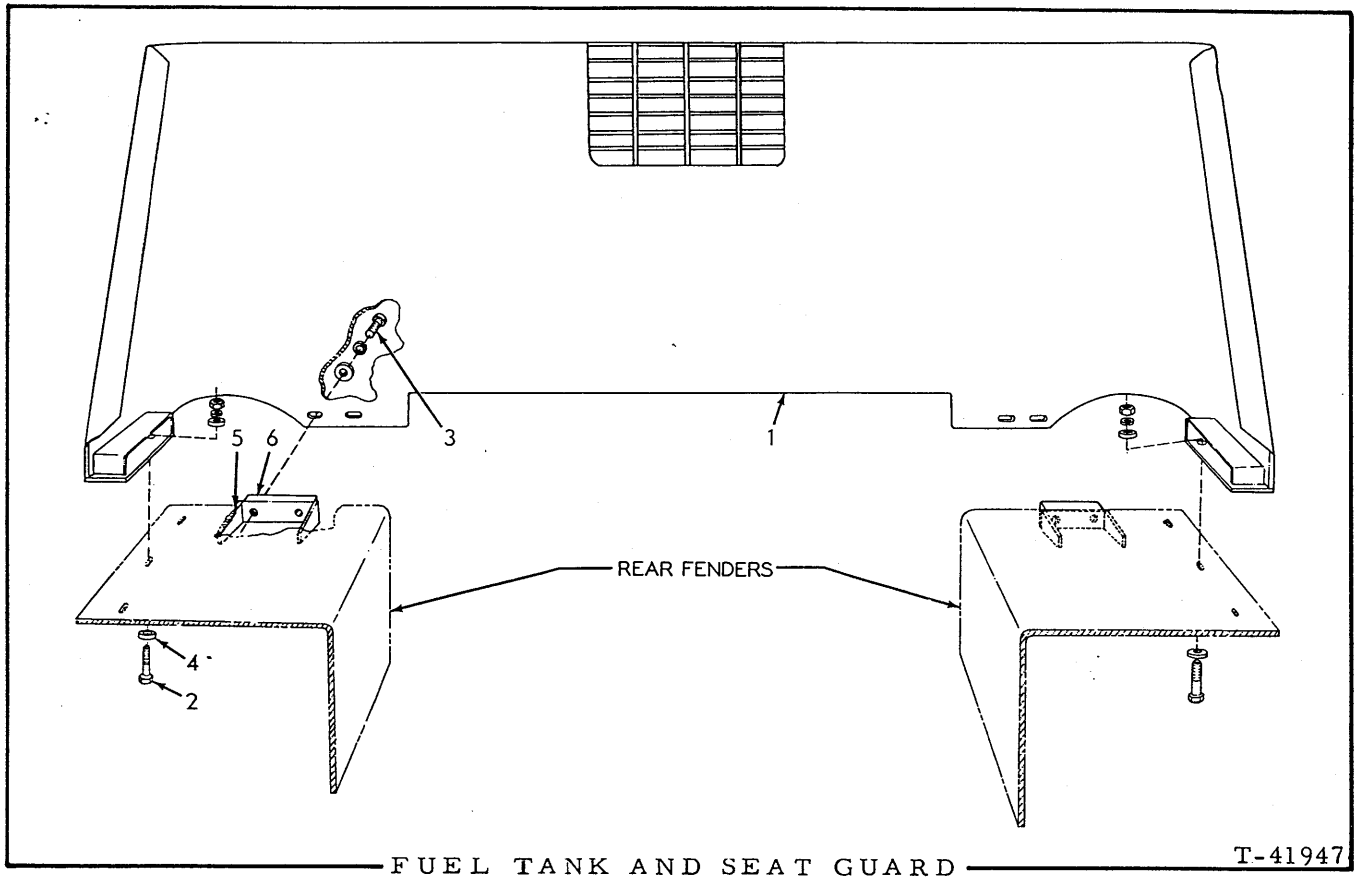


T-39358

USAGE: Special equipment. Not for tractors equipped with dozer.

ITEM	PART NO.	QTY.	DESCRIPTION
1	70094610	1	PUSHER, rear
2	70053251	10	CAPSCREW, 1-1/4"NF x 4-1/2"
3	70052077	2	CAPSCREW, 1-1/4"NF x 6"
	70904210	12	LOCKWASHER, 1-1/4"
4	70075420	4	WASHER, plain
	70913097	2	NUT, 1-1/4"NF
5	70094622	8	SHIM, rear pusher (Use as req'd)
6	70078741	1	PLATE, supporting
7	70047138	4	CAPSCREW, 1-1/4"NF x 5"
	70904210	4	LOCKWASHER, 1-1/4"
8	70098145	1	BRACKET, supporting plate, left
	70098146	1	BRACKET, supporting plate, right
9	70052361	2	CAPSCREW, 1-1/4"NF x 4"
	70904210	2	LOCKWASHER, 1-1/4"
10	70642259	8	CORK, thread protecting (1-9/16" diam.)(Not illustrated)

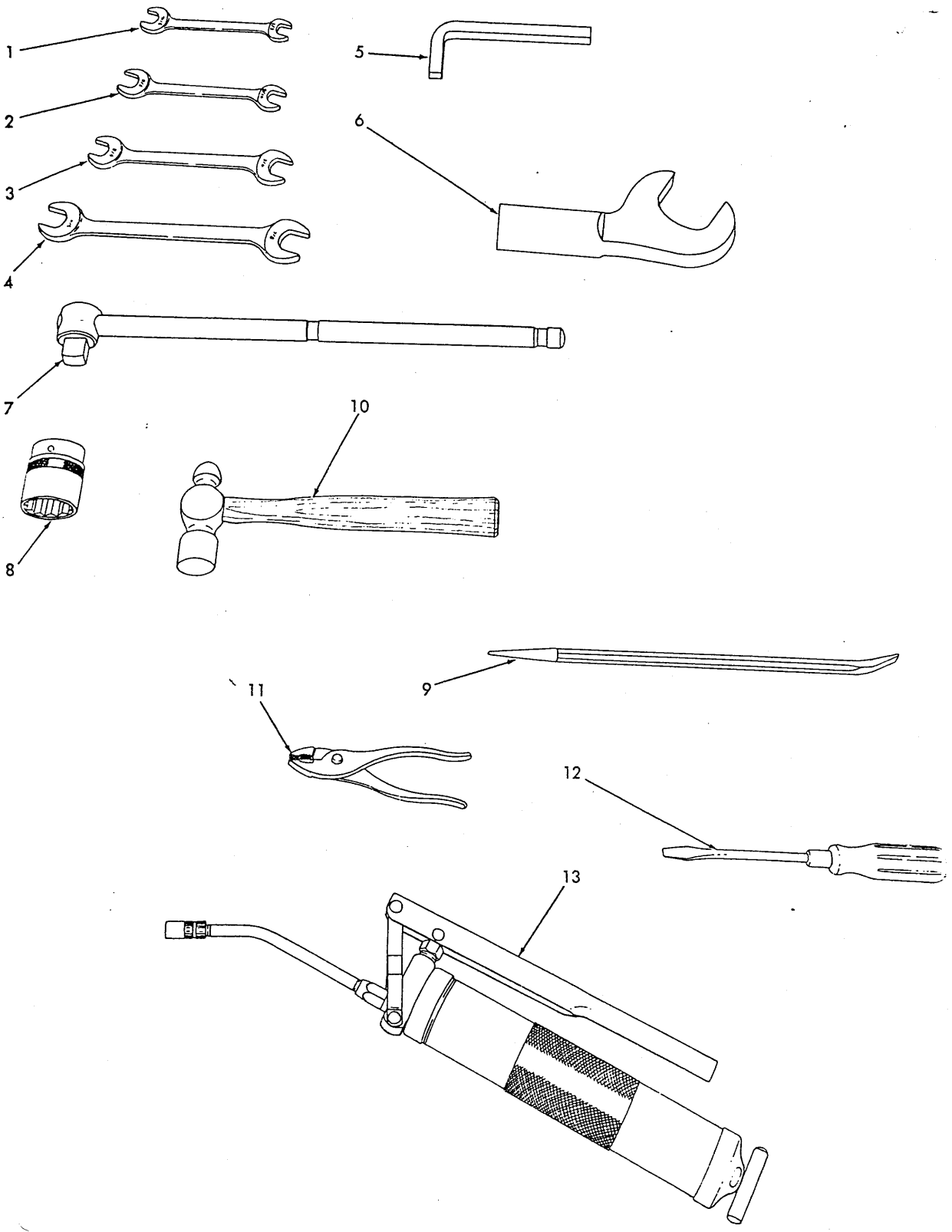
(Revised August 1979)



USAGE: Special equipment

* Prior to March 1964
 ** Effective March 1964

ITEM	PART NO.	QTY.		DESCRIPTION	
		*	**		
1	70632412	1	-	GUARD	} Require welding to install
	70643586	-	1	GUARD	
2	70035248	6	4	CAPSCREW, 5/8"NF x 2-1/4"	
3	70023465	-	4	CAPSCREW, 5/8"NF x 1-3/4"	
4	70064810	12	12	WASHER, plain	
	70904209	6	8	LOCKWASHER, 5/8"	
	70911044	6	4	NUT, 5/8"NF	
5	70085315	-	4	GUSSET, reinforcing (For use with standard fenders only)	
6	70651184	-	2	BLOCK, tapped	



TOOLS

T-11620

(Revised August 1979)

TOOLS

ITEM PART NO. QTY. DESCRIPTION

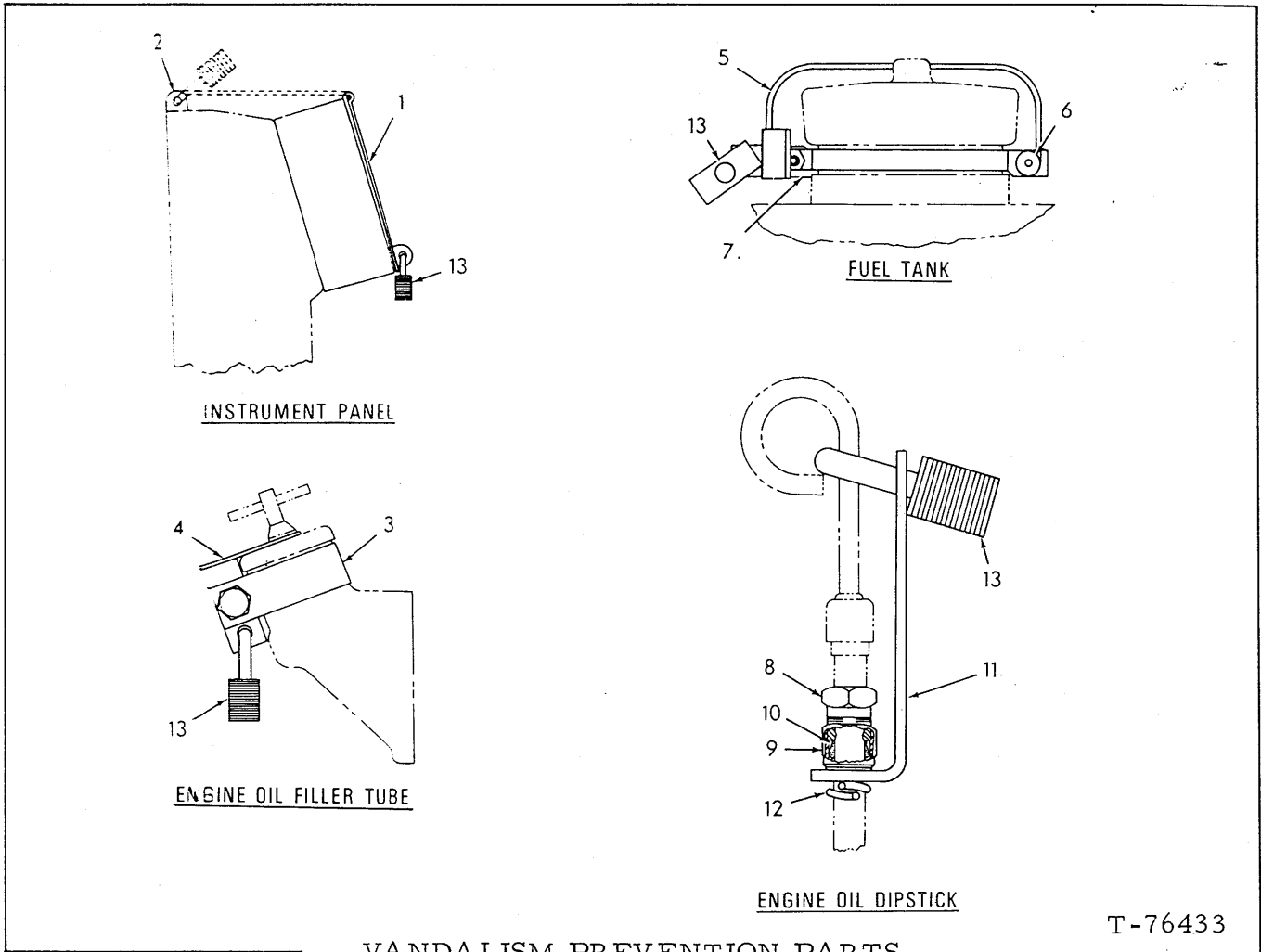
NOTE: For other recommended service tools, see Service Tool Manual Form 70650850

-	70639764	1	TOOL SET (Consists of items 1 thru 13)
1	70050608	1	WRENCH, open end, double head, 15°, 1/2" and 9/16"
2	70053423	1	WRENCH, open end, double head, 15°, 9/16" and 5/8"
3	70050609	1	WRENCH, open end, double head, 15°, 5/8" and 3/4"
4	70050610	1	WRENCH, open end, double head, 15°, 3/4" and 7/8"
5	70043769	1	WRENCH, drain and filling plugs (90°, 1/2" square)
6	70050573	1	WRENCH, track release adjustment (2-9/16" open end)
7	70053426	1	HANDLE, socket, sliding T, 3/4" square drive, 21-1/2" long
8	70914799	1	SOCKET, 3/4" square drive, 12-point, 1-5/16" hex (For track shoe bolts)
	70919261	1	
9	70052371	1	BAR, pinch, 16" long
10	70012387	1	HAMMER, ballpeen, 1 lb.
11	70012389	1	PLIERS, slip joint, 6"
12	70036268	1	SCREWDRIVER, 9-3/4" long
13	70073735	1	GUN, grease (Serviced only as a unit)

TOOL BOX
(Not Illustrated)

1	70604943	1	BOX, tool
2	70916272	4	CAPSCREW, 3/8"NC x 1-1/4"
	70911115	4	WASHER, plain
	70904206	4	LOCKWASHER, 3/8"
	70911028	4	NUT, 3/8"NC
3	70630753	4	WASHER, spacing

(Revised August 1979)



VANDALISM PREVENTION PARTS

T-76433

USAGE: Special equipment

ITEM	PART NO.	QTY.	DESCRIPTION	
1	70657580	1	GUARD, instrument panel	} Require welding to cowl
2	70657679	1	LATCH, instrument panel guard	
3	70660070	1	COLLAR, oil filler elbow	
	70044249	1	CAPSCREW, 3/8"NC x 1-1/8"	
	70904206	1	LOCKWASHER, 3/8"	
	70044973	1	WASHER, plain	
4	70659112	1	BRACKET, oil filler closure	
5	70657358	1	COVER, fuel tank cap (Used prior to tractor #14802)	
	70657553	1	COVER; fuel tank cap (Effective with tractor #14802)	
6	70924838	1	RIVET, fuel tank cap cover	
7	70659259	1	CLAMP, fuel tank filler neck(Used prior to tractor #14802)	
	70657556	1	CLAMP, fuel tank filler neck(Effective with tractor #14802)	
	70916285	1	CAPSCREW, 1/4"NC x 1"	
	70904204	1	LOCKWASHER, 1/4"	
	70911024	1	NUT, 1/4"NC	
8	70650178	1	NUT, locking, engine oil level gauge (upper)	
9	70925162	1	NUT, locking, engine oil level gauge (lower)	

(Continued)

(Added August 1979)

VANDALISM PREVENTION PARTS(Continued)

ITEM	PART NO.	QTY.	DESCRIPTION
10	70925164	1	FERRULE, locking nut
11	70659175	1	ANGLE, locking, engine oil level gauge
12	74254980	1	CLAMP, supporting, locking angle
13	70928052	4	PADLOCK

NUMERICAL INDEX

PART NO.	PAGE	PART NO.	PAGE	PART NO.	PAGE	PART NO.	PAGE	PART NO.	PAGE
00638468.....	279	70023756.....	190	70035167.....	306	70035420.....	247	70040011.....	125
00643550.....	218	70031055.....	237	70035167.....	309	70035420.....	269	70040011.....	127
70004075.....	193	70031055.....	320	70035167.....	319	70035439.....	102	70040011.....	129
70011259.....	147	70031671.....	311	70035167.....	321	70035439.....	138	70040382.....	263
70012387.....	327	70031990.....	190	70035167.....	79	70035439.....	177	70040382.....	265
70012389.....	327	70032834.....	319	70035188.....	270	70035439.....	199	70040382.....	267
70012453.....	237	70033060.....	319	70035190.....	107	70035439.....	312	70040382.....	269
70012453.....	241	70033288.....	197	70035190.....	107A	70035525.....	125	70040382.....	270
70012453.....	251	70033288.....	251	70035190.....	199A	70035525.....	165	70040503.....	237
70012453.....	269	70033288.....	253	70035190.....	274	70035525.....	312	70040570.....	92
70012526.....	262	70033288.....	253B	70035190.....	275	70035689.....	140	70041250.....	125
70012526.....	269	70033751.....	158	70035190.....	277	70035689.....	141	70041250.....	127
70012561.....	249	70033751.....	175	70035220.....	312	70035712.....	179	70041250.....	129
70012586.....	261	70034076.....	286	70035221.....	129	70035712.....	262	70041250.....	165
70012742.....	102	70034265.....	190	70035221.....	199	70035718.....	11	70041250.....	203
70012742.....	237	70034268.....	190	70035221.....	201	70035718.....	299	70041250.....	206
70012742.....	239	70034269.....	190	70035221.....	202	70035733.....	137	70041250.....	208
70012742.....	272	70035014.....	63	70035221.....	234	70035733.....	138	70041250.....	305
70012742.....	283	70035018.....	11	70035221.....	239	70035733.....	193	70041481.....	137
70012762.....	255	70035018.....	149	70035221.....	289	70035733.....	201	70041481.....	138
70012767.....	239	70035018.....	189	70035221.....	29	70035733.....	274	70041877.....	179
70012767.....	253	70035018.....	190	70035221.....	290	70035733.....	275	70041915.....	129
70012767.....	253A	70035018.....	191	70035221.....	309	70035733.....	277	70041981.....	73
70012767.....	253B	70035018.....	225	70035221.....	312	70035733.....	311	70041981.....	79
70012767.....	262	70035018.....	233	70035221.....	51	70035733.....	312	70042430.....	233
70012767.....	272	70035018.....	234	70035229.....	199	70035892.....	230	70042877.....	187
70012767.....	273	70035018.....	275	70035229.....	253	70035916.....	313	70042877.....	191
70012871.....	127	70035018.....	285	70035229.....	263	70035979.....	79	70042877.....	199
70012871.....	165	70035018.....	319	70035229.....	265	70036032.....	11	70042951.....	149
70012984.....	239	70035018.....	88	70035229.....	267	70036032.....	127	70043491.....	255
70012984.....	262	70035018.....	91	70035229.....	269	70036032.....	163	70043646.....	101
70012992.....	102	70035061.....	179	70035229.....	80	70036032.....	179	70043765.....	327
70012992.....	182	70035061.....	181	70035236.....	11	70036032.....	182	70043881.....	225
70012992.....	202	70035061.....	201	70035236.....	171	70036032.....	202	70043881.....	75
70012992.....	210	70035061.....	202	70035236.....	179	70036032.....	223	70043886.....	102
70012992.....	243	70035061.....	205	70035236.....	205	70036032.....	289	70044249.....	145
70012992.....	243B	70035061.....	207	70035236.....	273	70036032.....	293	70044249.....	207
70012992.....	265	70035061.....	209	70035236.....	274	70036032.....	296	70044249.....	208
70012992.....	267	70035061.....	239	70035244.....	11	70036032.....	299	70044249.....	327A
70012992.....	270	70035067.....	107	70035244.....	290	70036032.....	302	70044810.....	289
70012992.....	312	70035067.....	107A	70035244.....	293	70036032.....	51	70044875.....	270
70013006.....	237	70035067.....	179	70035244.....	294	70036034.....	102	70044973.....	102
70013044.....	147	70035067.....	230	70035244.....	295	70036034.....	182	70044973.....	11
70013058.....	101	70035067.....	311	70035244.....	297	70036034.....	194	70044973.....	129
70013058.....	179	70035068.....	179	70035244.....	51	70036034.....	199	70044973.....	137
70013058.....	255	70035068.....	181	70035244.....	57	70036034.....	202	70044973.....	138
70013058.....	298	70035068.....	65	70035244.....	61	70036034.....	223	70044973.....	177
70013058.....	305	70035073.....	165	70035244.....	62	70036034.....	267	70044973.....	190
70013058.....	312	70035073.....	168	70035244.....	77	70036034.....	269	70044973.....	202
70013465.....	283	70035073.....	169	70035248.....	195	70036034.....	277	70044973.....	263
70021527.....	147	70035073.....	171	70035248.....	325	70036034.....	290	70044973.....	265
70023465.....	195	70035073.....	189	70035248.....	57	70036034.....	294	70044973.....	267
70023465.....	229	70035073.....	205	70035248.....	63	70036034.....	295	70044973.....	269
70023465.....	237	70035073.....	207	70035249.....	145	70036034.....	309	70044973.....	270
70023465.....	253	70035073.....	209	70035249.....	190	70036034.....	312	70044973.....	271
70023465.....	325	70035073.....	230	70035249.....	262	70036034.....	51	70044973.....	277
70023618.....	190	70035073.....	273	70035250.....	12	70036034.....	57	70044973.....	289
70023618.....	239	70035073.....	275	70035250.....	145	70036034.....	61	70044973.....	305
70023633.....	132	70035073.....	277	70035250.....	190	70036039.....	181	70044973.....	312
70023633.....	137	70035073.....	282	70035250.....	262	70036039.....	277	70044973.....	316
70023633.....	138	70035073.....	283	70035250.....	39	70036039.....	309	70044973.....	317
70023633.....	140	70035073.....	309	70035250.....	39A	70036268.....	327	70044973.....	327A
70023633.....	141	70035073.....	311	70035278.....	179	70036546.....	263	70044973.....	87
70023633.....	145	70035073.....	317	70035278.....	183	70036707.....	263	70044973.....	89
70023633.....	147	70035167.....	110	70035278.....	233	70036707.....	267	70045174.....	225
70023633.....	17	70035167.....	111B	70035306.....	270	70036707.....	270	70045252.....	311
70023633.....	190	70035167.....	137	70035336.....	210	70037573.....	269	70045817.....	147
70023755.....	197	70035167.....	138	70035336.....	289	70038203.....	263	70046419.....	181
70023755.....	63	70035167.....	202	70035337.....	157	70038203.....	267	70046419.....	202
70023756.....	101	70035167.....	290	70035190.....	274	70038203.....	269	70046419.....	223

NUMERICAL INDEX

PART NO.	PAGE	PART NO.	PAGE	PART NO.	PAGE	PART NO.	PAGE	PART NO.	PAGE
70046419.....	225	70051967.....	194	70054069.....	138	70064531.....	285	70068876.....	99
70046419.....	298	70051988.....	194	70054305.....	214	70064531.....	309	70068878.....	99
70047063.....	311	70051988.....	253C	70054809.....	193	70064531.....	311	70068879.....	99
70047138.....	323	70051989.....	194	70054890.....	197	70064531.....	312	70068831.....	99
70047138.....	324	70051989.....	253C	70054890.....	251	70064531.....	317	70068911.....	227
70047381.....	298	70051997.....	187	70054890.....	253	70064531.....	319	70068999.....	194
70047381.....	301	70051997.....	191	70054890.....	253B	70064531.....	88	70069164.....	99
70047478.....	91	70051997.....	199	70055234.....	11	70064531.....	91	70069657.....	110
70048142.....	289	70052060.....	285	70055234.....	51	70064589.....	289	70069657.....	111B
70048142.....	302	70052066.....	191	70055234.....	53	70064810.....	237	70069761.....	197
70048603.....	95	70052066.....	193	70055234.....	61	70064810.....	239	70069810.....	243
70048606.....	95	70052069.....	285	70055234.....	62	70064810.....	241	70069954.....	140
70048608.....	95	70052077.....	324	70055589.....	291	70064810.....	263	70069965.....	141
70048665.....	255	70052079.....	243	70055914.....	129	70064810.....	265	70070161.....	190
70048666.....	255	70052080.....	243	70056099.....	92	70064810.....	267	70070212.....	80
70048922.....	291	70052085.....	243	70056100.....	92	70064810.....	269	70070272.....	237
70048922.....	291A	70052106.....	107	70056320.....	101	70064810.....	270	70070285.....	239
70049918.....	199	70052117.....	193	70056320.....	179	70064810.....	273	70070285.....	245
70049988.....	181	70052118.....	193	70056721.....	11	70064810.....	314	70070400.....	237
70049988.....	182	70052155.....	285	70056721.....	129	70064810.....	315	70070400.....	272
70050288.....	302	70052159.....	285	70056721.....	171	70064810.....	325	70070403.....	179
70050291.....	305	70052161.....	199	70056863.....	89	70064810.....	57	70070467.....	125
70050357.....	189	70052168.....	134	70056863.....	91	70064810.....	63	70070467.....	127
70050433.....	233	70052225.....	305	70056995.....	285	70064819.....	262	70070467.....	129
70050442.....	186	70052225.....	73	70058019.....	189	70065468.....	247	70070467.....	165
70050573.....	327	70052256.....	247	70058614.....	145	70065588.....	234	70070467.....	169
70050594.....	65	70052256.....	248	70058730.....	105	70065613.....	63	70070467.....	201
70050595.....	65	70052256.....	249	70058936.....	210	70065777.....	107	70070467.....	230
70050608.....	327	70052256.....	249A	70059179.....	262	70065785.....	179	70070467.....	239
70050609.....	327	70052263.....	247	70059242.....	105	70065860.....	247	70070467.....	312
70050610.....	327	70052264.....	247	70059243.....	105	70066062.....	262	70070469.....	165
70050748.....	189	70052361.....	284	70059244.....	105	70066066.....	261	70070469.....	166
70051311.....	295	70052361.....	285	70059245.....	105	70066251.....	99	70070469.....	168
70051473.....	214	70052361.....	323	70059776.....	213	70066252.....	99	70070469.....	169
70051614.....	253	70052361.....	324	70059778.....	213	70066253.....	98	70070469.....	171
70051614.....	253A	70052366.....	285	70059782.....	213	70066255.....	99	70070469.....	203
70051615.....	253	70052367.....	285	70060553.....	80	70066261.....	98	70070469.....	207
70051615.....	253A	70052371.....	327	70060689.....	102	70066467.....	302	70070469.....	223
70051616.....	253	70052372.....	194	70061456.....	194	70066517.....	98	70070469.....	237
70051616.....	253A	70052420.....	191	70061554.....	223	70066862.....	293	70070469.....	239
70051623.....	251	70052444.....	194	70061655.....	101	70066872.....	97	70070469.....	56
70051623.....	253	70052444.....	199	70061656.....	101	70066873.....	97	70070469.....	65
70051623.....	253A	70052459.....	187	70061671.....	101	70066874.....	97	70070590.....	263
70051629.....	251	70052505.....	271	70061689.....	102	70066875.....	97	70070590.....	267
70051629.....	253	70052519.....	193	70061689.....	237	70066876.....	97	70070590.....	269
70051629.....	253A	70052527.....	239	70061689.....	239	70067110.....	293	70070836.....	16
70051630.....	253	70052642.....	233	70061689.....	241	70067112.....	293	70070861.....	263
70051631.....	253	70052656.....	233	70061689.....	272	70067177.....	96	70070960.....	146
70051634.....	253	70052662.....	175	70061689.....	273	70067348.....	199	70070960.....	312
70051640.....	253	70052669.....	233	70061689.....	282	70067350.....	199	70071085.....	191
70051643.....	253	70052671.....	234	70061689.....	283	70067483.....	187	70071085.....	193
70051647.....	253	70052761.....	141	70063222.....	75	70067484.....	187	70071113.....	314
70051647.....	253B	70052782.....	309	70063889.....	55	70067485.....	187	70071113.....	315
70051647.....	253D	70052791.....	309	70063890.....	55	70067518.....	199	70072366.....	190
70051715.....	107	70052976.....	190	70063891.....	55	70067519.....	199	70072438.....	75
70051786.....	262	70052977.....	190	70064384.....	166	70067520.....	199	70072438.....	77
70051787.....	261	70052979.....	189	70064384.....	169	70067543.....	190	70073023.....	255
70051790.....	262	70053100.....	63	70064384.....	171	70067766.....	133	70073024.....	255
70051795.....	262	70053243.....	233	70064384.....	179	70067884.....	102	70073025.....	255
70051796.....	262	70053244.....	233	70064531.....	107	70067913.....	305	70073026.....	255
70051797.....	262	70053251.....	324	70064531.....	107A	70067914.....	305	70073027.....	255
70051798.....	262	70053421.....	243	70064531.....	11	70067916.....	305	70073029.....	255
70051799.....	262	70053423.....	327	70064531.....	181	70067923.....	305	70073063.....	261
70051800.....	262	70053426.....	327	70064531.....	223	70067924.....	305	70073424.....	189
70051812.....	262	70053616.....	133	70064531.....	239	70067962.....	107	70073424.....	249A
70051836.....	193	70053616.....	28	70064531.....	273	70068173.....	163	70073539.....	101
70051897.....	92	70053616.....	289	70064531.....	274	70068320.....	163	70073634.....	255
70051959.....	251	70053667.....	92	70064531.....	275	70068367.....	294	70073735.....	327
70051959.....	253	70053983.....	272	70064531.....	277	70068389.....	234	70073809.....	297
70051959.....	253A	70054069.....	137	70064531.....	283	70068875.....	99	70074103.....	237

NUMERICAL INDEX

PART NO.	PAGE	PART NO.	PAGE	PART NO.	PAGE	PART NO.	PAGE	PART NO.	PAGE
70074145.....	137	70082305.....	191	70083710.....	305	70089894.....	110	70093972.....	300
70074145.....	138	70082306.....	197	70083915.....	63	70089894.....	111B	70093972.....	301
70074452.....	292	70082307.....	199	70083917.....	63	70089900.....	75	70093976.....	11
70074452.....	296	70082308.....	199	70083918.....	63	70090020.....	223	70093976.....	77
70074960.....	275	70082309.....	197	70083955.....	65	70090020.....	73	70094053.....	271
70075203.....	107	70082310.....	199	70084048.....	191	70090020.....	79	70094120.....	194
70075354.....	157	70082311.....	197	70084049.....	191	70090655.....	213	70094121.....	194
70075420.....	324	70082312.....	197	70084050.....	191	70090874.....	257	70094122.....	194
70075535.....	289	70082315.....	199A	70084139.....	273	70090874.....	259	70094167.....	55
70075535.....	294	70082316.....	197	70084189.....	263	70090877.....	271	70094450.....	295
70075769.....	99	70082317.....	197	70084189.....	267	70091063.....	317	70094455.....	270
70075770.....	99	70082318.....	199	70084189.....	269	70091540.....	55	70094467.....	11
70075771.....	98	70082319.....	191	70084323.....	267	70091553.....	79	70094467.....	163
70075950.....	141	70082320.....	199	70084323.....	270	70091573.....	199	70094467.....	179
70076292.....	251	70082321.....	199	70084324.....	267	70091634.....	237	70094467.....	62
70076293.....	251	70082322.....	199	70084384.....	270	70091805.....	319	70094527.....	295
70076294.....	251	70082323.....	199	70084432.....	197	70091976.....	311	70094527.....	298
70076296.....	251	70082326.....	199	70084432.....	199	70091978.....	199A	70094527.....	301
70076295.....	253	70082327.....	197	70084454.....	282	70091979.....	197	70094610.....	324
70076296.....	253A	70082356.....	197	70084492.....	267	70092122.....	107	70094622.....	324
70076298.....	251	70082357.....	197	70084492.....	269	70092160.....	96	70094625.....	305
70076469.....	309	70082358.....	197	70084581.....	263	70092160.....	98	70094630.....	294
70076522.....	305	70082441.....	54	70084612.....	263	70092163.....	274	70094642.....	95
70076572.....	309	70082441.....	56	70084694.....	270	70092163.....	275	70094665.....	95
70076668.....	55	70082442.....	51	70084757.....	270	70092163.....	65	70094756.....	177
70076684.....	102	70082442.....	54	70084758.....	270	70092175.....	107	70094890.....	95
70076685.....	102	70082443.....	55	70084759.....	269	70092312.....	263	70094964.....	61
70076726.....	189	70082444.....	55	70084895.....	309	70092543.....	102	70095265.....	296
70077196.....	323	70082449.....	54	70084897.....	55	70092665.....	101	70095267.....	296
70078393.....	107	70082487.....	54	70084899.....	55	70092665.....	102	70095421.....	77
70078497.....	320	70082488.....	54	70084997.....	253	70092727.....	61	70095529.....	262
70078508.....	320	70082489.....	54	70084997.....	253B	70092727.....	62	70095575.....	102
70078741.....	323	70082490.....	54	70084998.....	253	70092793.....	96	70095860.....	289
70078741.....	324	70082491.....	55	70084998.....	253B	70093007.....	263	70095860.....	95
70078810.....	182	70082492.....	54	70085026.....	251	70093008.....	265	70095869.....	10
70078810.....	225	70082493.....	54	70085026.....	272	70093043.....	270	70095869.....	129
70078810.....	73	70082505.....	54	70085058.....	270	70093165.....	263	70095869.....	137
70078810.....	79	70082524.....	92	70085140.....	263	70093165.....	267	70095869.....	165
70078941.....	255	70082608.....	102	70085186.....	263	70093167.....	263	70095869.....	169
70079601.....	257	70082661.....	93	70085186.....	267	70093189.....	267	70095869.....	179
70079601.....	259	70082662.....	93	70085186.....	269	70093193.....	267	70095980.....	61
70079601.....	259B	70082663.....	93	70085238.....	320	70093194.....	289	70096031.....	102
70079886.....	320	70082811.....	203	70085271.....	321	70093195.....	289	70096046.....	305
70080043.....	320	70082829.....	107	70085289.....	320	70093196.....	289	70096055.....	87
70080043.....	321	70082884.....	275	70085315.....	325	70093219.....	267	70096056.....	305
70080459.....	53	70082885.....	275	70085680.....	309	70093220.....	265	70096071.....	305
70080459.....	56	70082886.....	275	70086546.....	158	70093220.....	270	70096092.....	305
70080547.....	199	70082905.....	203	70086922.....	261	70093262.....	270	70096093.....	305
70080758.....	55	70082937.....	203	70086961.....	270	70093263.....	270	70096208.....	110
70080809.....	16	70083008.....	315	70087082.....	298	70093401.....	317	70096208.....	1118
70080952.....	320	70083065.....	105	70087082.....	309	70093593.....	315	70096213.....	190
70080952.....	321	70083065.....	105D	70087313.....	309	70093721.....	269	70096214.....	190
70081094.....	73	70083068.....	105	70087741.....	274	70093722.....	269	70096228.....	298
70081132.....	73	70083068.....	105D	70087742.....	274	70093751.....	11	70096310.....	61
70081291.....	321	70083069.....	105	70087849.....	315	70093751.....	51	70096328.....	61
70081404.....	309	70083069.....	105D	70087924.....	314	70093751.....	53	70096354.....	61
70081611.....	102	70083070.....	105A	70088038.....	95	70093751.....	61	70096409.....	73
70081614.....	102	70083070.....	105D	70088253.....	315	70093751.....	62	70096619.....	306
70081627.....	101	70083072.....	105	70088254.....	315	70093752.....	11	70096815.....	55
70081672.....	80	70083073.....	105	70088491.....	80	70093752.....	61	70096816.....	55
70081729.....	101	70083073.....	105D	70088561.....	107	70093752.....	62	70096918.....	309
70081867.....	309	70083081.....	101	70088736.....	213	70093852.....	314	70096935.....	51
70082013.....	203	70083399.....	305	70089107.....	110	70093894.....	314	70097026.....	95
70082013.....	206	70083461.....	107	70089107.....	1118	70093915.....	314	70097053.....	257
70082013.....	208	70083544.....	257	70089229.....	265	70093940.....	321	70097053.....	259
70082189.....	61	70083544.....	259	70089229.....	269	70093945.....	187	70097053.....	259B
70082189.....	62	70083599.....	105	70089230.....	265	70093949.....	191	70097056.....	257
70082206.....	92	70083599.....	105D	70089230.....	269	70093953.....	191	70097056.....	259
70082303.....	197	70083647.....	101	70089231.....	265	70093972.....	295	70097056.....	259B
70082304.....	191	70083683.....	289	70089231.....	269	70093972.....	298	70097056.....	259D

NUMERICAL INDEX

PART NO.	PAGE	PART NO.	PAGE	PART NO.	PAGE	PART NO.	PAGE	PART NO.	PAGE
70097088.....	132	70243528.....	309	70621429.....	291A	70623144.....	229	70623826.....	255
70097490.....	243	70321214.....	11	70621429.....	294	70623145.....	234	70623827.....	255
70097494.....	77	70336916.....	163	70621451.....	202	70623146.....	234	70623828.....	255
70097534.....	11	70336917.....	163	70621479.....	195	70623151.....	233	70623829.....	255
70097534.....	61	70438253.....	12	70621486.....	189	70623153.....	229	70624193.....	229
70097534.....	62	70600236.....	237	70621563.....	190	70623158.....	229	70624208.....	261
70097964.....	237	70600236.....	245	70621564.....	190	70623164.....	229	70624416.....	271
70098145.....	323	70600236.....	247	70621614.....	80	70623164.....	233	70624445.....	153
70098145.....	324	70600236.....	248	70621724.....	291A	70623165.....	229	70624488.....	311
70098146.....	323	70600236.....	249	70621775.....	63	70623168.....	229	70624520.....	145
70098146.....	324	70600236.....	249A	70621803.....	247	70623179.....	229	70624584.....	223
70098185.....	295	70600236.....	263	70622064.....	309	70623180.....	229	70624584.....	225
70098265.....	248	70600236.....	323	70622171.....	195	70623181.....	229	70624584.....	73
70098266.....	285	70602448.....	197	70622197.....	251	70623182.....	229	70624584.....	75
70098730.....	251	70604398.....	251	70622197.....	253	70623194.....	226	70624584.....	79
70098744.....	251	70604930.....	172	70622197.....	253A	70623195.....	226	70624585.....	75
70098837.....	284	70604943.....	327	70622199.....	253	70623196.....	227	70624585.....	77
70099061.....	16	70605334.....	194	70622199.....	253A	70623197.....	226	70624624.....	80
70099062.....	17	70605782.....	110	70622202.....	253	70623198.....	226	70624688.....	153
70099137.....	102	70605808.....	302	70622202.....	253A	70623201.....	226	70624695.....	145
70099575.....	181	70605822.....	306	70622203.....	253	70623202.....	226	70624706.....	163
70099575.....	235	70607414.....	313	70622204.....	253	70623203.....	226	70624815.....	134
70099687.....	247	70609406.....	269	70622207.....	230	70623204.....	226	70624816.....	134
70099734.....	247	70609408.....	265	70622234.....	251	70623205.....	227	70625383.....	284
70099735.....	247	70611975.....	158	70622234.....	253	70623206.....	226	70626048.....	1
70099736.....	247	70613231.....	127	70622234.....	253B	70623207.....	227	70626163.....	1
70099737.....	247	70613231.....	165	70622411.....	197	70623210.....	227	70627346.....	145
70099738.....	247	70613231.....	175	70622412.....	197	70623211.....	227	70627347.....	157
70099738.....	248	70614478.....	197	70622413.....	197	70623234.....	201	70627377.....	221
70099739.....	247	70614478.....	227	70622414.....	197	70623234.....	203	70627378.....	221
70099910.....	213	70614478.....	239	70622437.....	251	70623234.....	207	70627380.....	221
70099911.....	213	70614478.....	275	70622649.....	253	70623234.....	209	70627428.....	309
70099912.....	213	70614478.....	311	70622649.....	253A	70623235.....	201	70627451.....	225
70099913.....	213	70614478.....	312	70622781.....	203	70623261.....	189	70628001.....	279
70099914.....	213	70614478.....	73	70622789.....	213	70623262.....	189	70628019.....	227
70099915.....	203	70614478.....	88	70622790.....	213	70623268.....	210	70628065.....	157
70099916.....	213	70614478.....	91	70622812.....	194	70623281.....	202	70628092.....	145
70099917.....	213	70614585.....	323	70622916.....	125	70623289.....	257	70628116.....	80
70099962.....	199	70615912.....	323	70622916.....	202	70623289.....	259	70628130.....	155
70099963.....	190	70617069.....	323	70622984.....	243	70623304.....	202	70628138.....	80
70182763.....	291	70617611.....	249A	70622992.....	11	70623344.....	191	70628157.....	181
70182763.....	291A	70617921.....	323	70622992.....	123	70623345.....	191	70628157.....	182
70185367.....	89	70617932.....	181	70622992.....	62	70623345.....	193	70628157.....	203
70185367.....	91	70617941.....	323	70623003.....	193	70623346.....	191	70628161.....	214
70185370.....	89	70619331.....	147	70623004.....	193	70623347.....	191	70628163.....	261
70185370.....	91	70620017.....	92	70623006.....	187	70623347.....	193	70628243.....	127
70185502.....	89	70620035.....	295	70623007.....	193	70623349.....	191	70628243.....	177
70185502.....	91	70620063.....	290	70623008.....	193	70623350.....	191	70628378.....	159
70185984.....	306	70620063.....	295	70623009.....	257	70623386.....	257	70628381.....	159
70186266.....	185	70620350.....	307	70623009.....	259	70623386.....	259	70628382.....	159
70186266.....	186	70620472.....	313	70623010.....	193	70623392.....	257	70628384.....	159
70186668.....	186	70620474.....	313	70623012.....	193	70623392.....	259	70628388.....	161
70188436.....	281	70620483.....	270	70623013.....	193	70623418.....	257	70628389.....	161
70196662.....	89	70620599.....	269	70623014.....	193	70623418.....	259	70628391.....	161
70196662.....	91	70620751.....	270	70623016.....	193	70623420.....	220	70628392.....	161
70196663.....	89	70621201.....	313	70623017.....	193	70623427.....	221	70628399.....	159
70196663.....	91	70621204.....	261	70623018.....	193	70623428.....	221	70628401.....	159
70203188.....	181	70621283.....	255	70623065.....	190	70623429.....	221	70628402.....	161
70203188.....	315	70621294.....	259	70623094.....	201	70623430.....	220	70628403.....	161
70203188.....	317	70621294.....	259B	70623122.....	201	70623431.....	220	70628492.....	133
70208253.....	158	70621304.....	163	70623130.....	229	70623444.....	257	70628521.....	157
70208253.....	174	70621304.....	179	70623131.....	229	70623444.....	259	70628535.....	233
70208253.....	175	70621304.....	51	70623132.....	229	70623469.....	257	70628536.....	233
70208253.....	214	70621304.....	53	70623133.....	229	70623469.....	259	70628637.....	189
70208960.....	289	70621342.....	287	70623136.....	230	70623489.....	226	70628736.....	225
70208960.....	293	70621357.....	286	70623137.....	230	70623506.....	287	70628736.....	73
70208960.....	294	70621399.....	286	70623138.....	230	70623560.....	229	70628736.....	80
70240962.....	297	70621400.....	286	70623139.....	230	70623804.....	145	70628737.....	75
70243526.....	309	70621428.....	291A	70623139.....	233	70623820.....	271	70628738.....	75
70243527.....	309	70621429.....	289	70623140.....	230	70623825.....	255	70628738.....	77

NUMERICAL INDEX

PART NO.	PAGE	PART NO.	PAGE	PART NO.	PAGE	PART NO.	PAGE	PART NO.	PAGE
70628747.....	193	70629393.....	157	70630253.....	61	70631397.....	257	70632059.....	73
70628758.....	163	70629397.....	149	70630295.....	157	70631421.....	223	70632060.....	173
70628759.....	163	70629398.....	149	70630302.....	247	70631425.....	77	70632061.....	211
70628760.....	163	70629401.....	155	70630302.....	248	70631426.....	316	70632061.....	173
70628761.....	146	70629402.....	155	70630302.....	249	70631426.....	319	70632061.....	211
70628762.....	155	70629435.....	189	70630302.....	249A	70631428.....	73	70632062.....	211
70628763.....	155	70629454.....	225	70630311.....	77	70631475.....	75	70632063.....	211
70628764.....	155	70629510.....	233	70630331.....	80	70631476.....	73	70632065.....	155
70628765.....	155	70629515.....	233	70630345.....	253	70631476.....	75	70632065.....	157
70628766.....	155	70629535.....	88	70630345.....	253A	70631476.....	77	70632067.....	145
70628767.....	153	70629636.....	272	70630361.....	253	70631477.....	77	70632112.....	213
70628768.....	163	70629697.....	284	70630411.....	253	70631478.....	80	70632122.....	57
70628769.....	155	70629698.....	284	70630450.....	237	70631488.....	75	70632159.....	234
70628772.....	153	70629709.....	181	70630528.....	220	70631492.....	77	70632161.....	166
70628774.....	153	70629716.....	223	70630540.....	54	70631494.....	73	70632161.....	169
70628777.....	163	70629717.....	223	70630578.....	161	70631496.....	73	70632162.....	79
70628778.....	163	70629739.....	237	70630582.....	146	70631498.....	75	70632175.....	79
70628779.....	163	70629755.....	87	70630583.....	146	70631513.....	319	70632177.....	79
70628780.....	163	70629755.....	89	70630584.....	146	70631514.....	319	70632178.....	79
70628781.....	163	70629760.....	89	70630624.....	243	70631537.....	77	70632179.....	277
70628782.....	163	70629760.....	91	70630624.....	243A	70631555.....	77	70632188.....	277
70628783.....	155	70629761.....	87	70630683.....	289	70631559.....	73	70632226.....	287
70628784.....	149	70629770.....	273	70630706.....	300	70631564.....	91	70632261.....	287
70628786.....	146	70629773.....	273	70630713.....	95	70631566.....	95	70632272.....	63
70628787.....	153	70629774.....	273	70630736.....	80	70631572.....	307	70632273.....	274
70628788.....	155	70629794.....	257	70630745.....	77	70631573.....	307	70632274.....	277
70628789.....	153	70629879.....	159	70630753.....	327	70631574.....	307	70632277.....	163
70628790.....	153	70629881.....	159	70630763.....	225	70631682.....	73	70632284.....	277
70628792.....	155	70629882.....	159	70630764.....	225	70631690.....	243	70632296.....	157
70628794.....	141	70629884.....	159	70630773.....	17	70631690.....	243A	70632297.....	166
70628796.....	153	70629885.....	159	70630777.....	75	70631704.....	243	70632312.....	157
70628797.....	153	70629886.....	159	70630787.....	95	70631704.....	243A	70632315.....	277
70628798.....	163	70629887.....	159	70630795.....	223	70631773.....	17	70632325.....	245
70628799.....	163	70629888.....	159	70630795.....	225	70631774.....	17	70632349.....	245
70628802.....	163	70629889.....	161	70630821.....	225	70631788.....	138	70632350.....	245
70628803.....	163	70629890.....	159	70630827.....	95	70631788.....	166	70632361.....	245
70628804.....	146	70629891.....	161	70630828.....	95	70631788.....	169	70632368.....	190
70628804.....	163	70629892.....	161	70630830.....	95	70631788.....	171	70632370.....	190
70628805.....	163	70629893.....	161	70630833.....	225	70631790.....	166	70632392.....	265
70628874.....	233	70629894.....	159	70630836.....	225	70631790.....	169	70632392.....	267
70628877.....	146	70629895.....	159	70630837.....	223	70631790.....	171	70632392.....	269
70628879.....	155	70629897.....	159	70630837.....	225	70631791.....	166	70632393.....	267
70628913.....	261	70629898.....	159	70630841.....	223	70631791.....	169	70632393.....	269
70628914.....	261	70629899.....	159	70630847.....	223	70631791.....	171	70632394.....	267
70628915.....	261	70629900.....	159	70630848.....	223	70631795.....	143	70632394.....	269
70628958.....	102	70629901.....	159	70630849.....	223	70631795.....	273	70632412.....	325
70629040.....	153	70629902.....	161	70630850.....	225	70631828.....	211	70632436.....	127
70629085.....	187	70629904.....	161	70630852.....	225	70631844.....	182	70632436.....	166
70629113.....	243	70629906.....	161	70630917.....	302	70631869.....	211	70632436.....	169
70629114.....	243	70629907.....	159	70630946.....	274	70631870.....	172	70632436.....	300
70629138.....	155	70629908.....	161	70630951.....	147	70631870.....	211	70632461.....	263
70629189.....	293	70629909.....	159	70630981.....	317	70631872.....	211	70632462.....	263
70629205.....	286	70629910.....	274	70631012.....	274	70631873.....	277	70632547.....	125
70629250.....	233	70629916.....	237	70631106.....	159	70631874.....	51	70632547.....	166
70629252.....	234	70629920.....	271	70631107.....	202	70631874.....	53	70632547.....	169
70629253.....	233	70629922.....	239	70631108.....	202	70631881.....	234	70632547.....	171
70629254.....	233	70629966.....	285	70631110.....	202	70631882.....	233	70632575.....	243
70629255.....	233	70630018.....	237	70631115.....	202	70631882.....	234	70632575.....	243A
70629262.....	223	70630032.....	247	70631198.....	95	70631883.....	233	70632581.....	133
70629346.....	149	70630032.....	248	70631199.....	95	70631935.....	220	70632582.....	133
70629347.....	149	70630032.....	249	70631224.....	95	70631959.....	239	70632583.....	134
70629349.....	149	70630032.....	249A	70631225.....	95	70631959.....	241	70632584.....	133
70629350.....	149	70630038.....	237	70631226.....	95	70631960.....	239	70632585.....	132
70629355.....	155	70630039.....	235	70631317.....	316	70631974.....	234	70632587.....	134
70629357.....	155	70630056.....	199A	70631389.....	257	70631975.....	73	70632588.....	134
70629358.....	155	70630097.....	243A	70631389.....	259	70631981.....	234	70632589.....	134
70629367.....	145	70630199.....	307	70631390.....	257	70631987.....	223	70632590.....	133
70629373.....	145	70630207.....	296	70631390.....	259	70632038.....	182	70632591.....	134
70629391.....	157	70630208.....	257	70631395.....	257	70632047.....	101	70632592.....	134
70629392.....	157	70630252.....	61	70631396.....	257	70632053.....	277	70632595.....	134

NUMERICAL INDEX

PART NO.	PAGE	PART NO.	PAGE	PART NO.	PAGE	PART NO.	PAGE	PART NO.	PAGE
70632600.....	134	70633774.....	317	70638354.....	279	70639531.....	6	70639870.....	312
70632601.....	132	70633774.....	319	70638363.....	279	70639532.....	133	70639871.....	201
70632603.....	132	70633775.....	319	70638369.....	279	70639533.....	135	70639872.....	201
70632604.....	133	70633776.....	319	70638370.....	279	70639534.....	133	70639873.....	312
70632606.....	134	70633790.....	101	70638371.....	279	70639535.....	132	70639874.....	312
70632613.....	133	70633792.....	101	70638397.....	127	70639536.....	132	70639882.....	183
70632615.....	133	70633797.....	205	70638397.....	166	70639540.....	174	70639884.....	147
70632620.....	134	70633797.....	207	70638421.....	279	70639543.....	132	70639887.....	147
70632621.....	135	70633797.....	209	70638421.....	281	70639545.....	166	70639894.....	147
70632623.....	134	70633983.....	319	70638422.....	279	70639545.....	169	70639903.....	183
70632630.....	133	70633995.....	172	70638422.....	281	70639547.....	151	70639905.....	311
70632631.....	135	70633995.....	211	70638423.....	279	70639548.....	135	70639907.....	185
70632632.....	134	70634271.....	165	70638424.....	279	70639549.....	151	70639916.....	182
70632635.....	134	70634271.....	168	70638425.....	279	70639551.....	135	70639919.....	186
70632636.....	135	70634271.....	170	70638426.....	279	70639556.....	152	70639921.....	185
70632638.....	134	70634342.....	134	70638427.....	279	70639563.....	132	70639924.....	185
70632647.....	105	70634416.....	1	70638428.....	279	70639565.....	151	70639929.....	185
70632652.....	133	70634417.....	1	70638429.....	279	70639566.....	151	70639933.....	185
70632654.....	101	70634427.....	159	70638430.....	279	70639573.....	151	70639937.....	185
70632707.....	88	70634585.....	6	70638431.....	279	70639578.....	151	70639938.....	174
70632707.....	91	70634650.....	75	70638431.....	281	70639579.....	151	70639939.....	185
70632710.....	73	70634650.....	77	70638432.....	279	70639583.....	151	70639940.....	143
70632710.....	79	70634677.....	297	70638432.....	281	70639588.....	151	70639942.....	174
70632716.....	73	70635720.....	11	70638433.....	279	70639598.....	151	70639946.....	183
70632716.....	79	70635720.....	171	70638434.....	279	70639604.....	132	70639947.....	185
70632747.....	73	70637286.....	181	70638435.....	279	70639611.....	125	70639948.....	185
70632747.....	79	70637286.....	182	70638561.....	227	70639611.....	132	70639949.....	185
70632752.....	73	70637532.....	312	70638562.....	227	70639614.....	183	70639950.....	183
70632752.....	79	70637580.....	309	70638563.....	227	70639614.....	185	70639959.....	185
70632755.....	300	70637589.....	11	70638600.....	230	70639615.....	132	70639969.....	186
70632756.....	73	70637589.....	177	70638607.....	153	70639620.....	177	70639970.....	185
70632756.....	79	70637589.....	299	70638613.....	175	70639621.....	149	70639975.....	279
70632759.....	300	70637601.....	243	70638727.....	89	70639625.....	135	70639976.....	186
70632766.....	73	70637601.....	243A	70638796.....	211	70639627.....	135	70640096.....	134
70632771.....	79	70637623.....	186	70638818.....	230	70639631.....	125	70640097.....	135
70632919.....	286	70637636.....	253	70638895.....	89	70639631.....	6	70640109.....	190
70632971.....	309	70637729.....	230	70638895.....	91	70639634.....	6	70640120.....	145
70632980.....	51	70637730.....	230	70638905.....	88	70639637.....	165	70640121.....	185
70632981.....	51	70637741.....	121	70638911.....	203	70639637.....	168	70640146.....	185
70633152.....	73	70637801.....	235	70638922.....	92	70639638.....	185	70640152.....	174
70633158.....	311	70637802.....	235	70639284.....	102	70639639.....	185	70640205.....	185
70633163.....	95	70637803.....	235	70639313.....	289	70639641.....	183	70640206.....	185
70633216.....	79	70637804.....	235	70639313.....	95	70639642.....	183	70640367.....	79
70633276.....	239	70637805.....	235	70639314.....	135	70639646.....	183	70640378.....	79
70633277.....	239	70637806.....	235	70639314.....	290	70639699.....	65	70640385.....	6
70633282.....	239	70637808.....	235	70639388.....	289	70639728.....	175	70640415.....	79
70633283.....	239	70637809.....	235	70639388.....	290	70639749.....	185	70640418.....	80
70633283.....	239	70637809.....	235	70639388.....	293	70639753.....	181	70640489.....	79
70633283.....	239	70637810.....	235	70639388.....	294	70639756.....	177	70640575.....	137
70633283.....	239	70637811.....	235	70639388.....	302	70639759.....	149	70640636.....	137
70633283.....	239	70637817.....	235	70639439.....	311	70639760.....	153	70640636.....	138
70633310.....	211	70637818.....	235	70639447.....	175	70639763.....	185	70640637.....	181
70633338.....	239	70637819.....	235	70639459.....	234	70639764.....	327	70640663.....	137
70633384.....	287	70637820.....	235	70639501.....	149	70639766.....	181	70640664.....	137
70633385.....	205	70637865.....	165	70639503.....	165	70639775.....	181	70640664.....	138
70633401.....	275	70637865.....	168	70639510.....	140	70639778.....	181	70640667.....	137
70633467.....	311	70637993.....	229	70639511.....	140	70639779.....	182	70640667.....	138
70633496.....	177	70637997.....	229	70639515.....	125	70639784.....	182	70640674.....	289
70633497.....	11	70638002.....	229	70639516.....	165	70639785.....	181	70640675.....	289
70633497.....	299	70638088.....	163	70639516.....	6	70639785.....	79	70640676.....	289
70633515.....	319	70638232.....	159	70639518.....	137	70639790.....	181	70640677.....	301
70633519.....	65	70638236.....	159	70639518.....	6	70639812.....	202	70640704.....	293
70633624.....	179	70638243.....	290	70639520.....	133	70639818.....	277	70640704.....	294
70633629.....	302	70638282.....	291	70639521.....	149	70639828.....	311	70640705.....	289
70633652.....	286	70638282.....	291A	70639522.....	133	70639839.....	182	70640706.....	302
70633653.....	309	70638283.....	289	70639523.....	132	70639846.....	186	70640707.....	302
70633674.....	284	70638283.....	294	70639524.....	132	70639850.....	203	70640719.....	135
70633675.....	284	70638338.....	234	70639529.....	133	70639862.....	312	70640722.....	134
70633708.....	319	70638351.....	279	70639530.....	174	70639863.....	165	70640727.....	302
70633767.....	319	70638351.....	281	70639531.....	165	70639863.....	168	70640739.....	175
70633768.....	319	70638352.....	134						

NUMERICAL INDEX

PART NO.	PAGE	PART NO.	PAGE	PART NO.	PAGE	PART NO.	PAGE	PART NO.	PAGE
70640742.....	132	70642192.....	317	70643598.....	1	70644531.....	61	70645084.....	177
70640743.....	132	70642227.....	165	70643599.....	1	70644534.....	287	70645084.....	6
70640744.....	172	70642227.....	168	70643606.....	203	70644559.....	1	70645085.....	177
70640754.....	237	70642254.....	105A	70643606.....	207	70644603.....	219	70645085.....	8
70640771.....	237	70642255.....	105A	70643723.....	7	70644603.....	7	70645086.....	177
70640773.....	237	70642259.....	324	70643723.....	96	70644604.....	218	70645086.....	8
70640774.....	175	70642308.....	190	70643740.....	189	70644604.....	7	70645088.....	163
70640775.....	174	70642309.....	175	70643740.....	229	70644608.....	219	70645088.....	8
70640778.....	133	70642310.....	174	70643744.....	110	70644608.....	7	70645089.....	177
70640780.....	173	70642318.....	175	70643744.....	1118	70644609.....	201	70645089.....	6
70640781.....	133	70642319.....	174	70643761.....	152	70644609.....	7	70645092.....	51
70640783.....	133	70642320.....	174	70643762.....	152	70644610.....	202	70645092.....	53
70640784.....	133	70642321.....	175	70643763.....	133	70644611.....	11	70645092.....	8
70640791.....	132	70642322.....	174	70643957.....	179	70644611.....	202	70645094.....	177
70641008.....	182	70642323.....	174	70643971.....	300	70644612.....	202	70645094.....	8
70641021.....	237	70642327.....	174	70643971.....	7	70644614.....	202	70645101.....	205
70641027.....	173	70642328.....	174	70643980.....	1	70644616.....	286	70645101.....	207
70641029.....	172	70642329.....	151	70644006.....	11	70644619.....	286	70645109.....	213
70641029.....	212	70642441.....	65	70644006.....	295	70644633.....	75	70645109.....	214
70641031.....	173	70642448.....	193	70644006.....	298	70644642.....	51	70645109.....	217
70641052.....	137	70642498.....	279	70644006.....	299	70644642.....	7	70645253.....	56
70641090.....	107	70642498.....	281	70644006.....	301	70644647.....	51	70645253.....	8
70641093.....	143	70642499.....	279	70644006.....	96	70644647.....	7	70645269.....	133
70641109.....	137	70642499.....	281	70644010.....	127	70644710.....	143	70645316.....	187
70641110.....	137	70642500.....	279	70644064.....	181	70644713.....	57	70645321.....	187
70641112.....	166	70642500.....	281	70644065.....	182	70644758.....	95	70645322.....	1
70641112.....	169	70642515.....	169	70644133.....	95	70644816.....	210	70645549.....	1
70641112.....	171	70642515.....	7	70644136.....	230	70644827.....	210	70645550.....	1
70641129.....	287	70642613.....	237	70644195.....	1	70644828.....	210	70645672.....	133
70641134.....	137	70642633.....	239	70644265.....	185	70644883.....	95	70645768.....	257
70641148.....	227	70642669.....	149	70644266.....	185	70644897.....	214	70645768.....	259
70641386.....	143	70642670.....	149	70644268.....	185	70644898.....	214	70645783.....	259
70641474.....	282	70642716.....	132	70644276.....	186	70644905.....	127	70645784.....	259
70641499.....	311	70642734.....	135	70644277.....	186	70644905.....	7	70645885.....	1
70641537.....	175	70642739.....	135	70644278.....	186	70644906.....	127	70645886.....	1
70641538.....	175	70642740.....	125	70644308.....	1	70644906.....	7	70645887.....	1
70641541.....	175	70642740.....	127	70644337.....	155	70644908.....	300	70645921.....	259
70641542.....	175	70642740.....	132	70644354.....	214	70644913.....	214	70645961.....	241
70641561.....	174	70642744.....	63	70644421.....	146	70644931.....	165	70646026.....	241
70641562.....	61	70642746.....	296	70644422.....	146	70644931.....	168	70646027.....	241
70641564.....	158	70642749.....	63	70644444.....	155	70644931.....	7	70646045.....	243
70641564.....	175	70642849.....	186	70644449.....	125	70644960.....	102	70646084.....	245
70641625.....	203	70642937.....	166	70644449.....	127	70644968.....	143	70646089.....	241
70641689.....	205	70642937.....	169	70644449.....	7	70644968.....	7	70646158.....	61
70641700.....	210	70642937.....	171	70644450.....	125	70645028.....	89	70646158.....	8
70641722.....	203	70642944.....	149	70644450.....	127	70645029.....	89	70646390.....	223
70641727.....	201	70642967.....	151	70644450.....	7	70645030.....	89	70646532.....	173
70641758.....	210	70642972.....	297	70644451.....	137	70645074.....	193	70646549.....	237
70641760.....	205	70643024.....	233	70644451.....	7	70645074.....	7	70646582.....	56
70641762.....	201	70643027.....	155	70644452.....	137	70645075.....	11	70646582.....	8
70641763.....	201	70643183.....	63	70644452.....	7	70645075.....	301	70646631.....	10
70641777.....	203	70643257.....	223	70644453.....	125	70645075.....	7	70646728.....	11
70641839.....	158	70643348.....	248	70644453.....	127	70645075.....	89	70646980.....	132
70641840.....	158	70643348.....	249	70644453.....	129	70645075.....	91	70646985.....	132
70641841.....	158	70643438.....	214	70644453.....	6	70645076.....	298	70647062.....	1
70641854.....	158	70643449.....	214	70644457.....	10	70645076.....	7	70647070.....	1
70641855.....	158	70643491.....	214	70644457.....	127	70645077.....	61	70647080.....	243
70641872.....	145	70643492.....	214	70644457.....	129	70645077.....	7	70647080.....	243A
70641876.....	203	70643494.....	214	70644457.....	137	70645078.....	61	70647239.....	102
70641906.....	165	70643496.....	214	70644457.....	169	70645078.....	7	70647327.....	237
70641922.....	146	70643534.....	214	70644457.....	171	70645079.....	61	70647404.....	132
70641962.....	201	70643544.....	214	70644457.....	179	70645079.....	7	70647414.....	205
70641963.....	201	70643545.....	214	70644467.....	61	70645080.....	301	70647414.....	207
70641979.....	182	70643551.....	214	70644468.....	61	70645080.....	6	70647414.....	8
70642061.....	152	70643553.....	214	70644474.....	177	70645081.....	295	70647495.....	1
70642094.....	135	70643560.....	174	70644474.....	7	70645081.....	7	70647555.....	143
70642144.....	151	70643570.....	203	70644475.....	169	70645082.....	201	70647565.....	190
70642147.....	152	70643573.....	203	70644475.....	7	70645082.....	7	70647566.....	190
70642165.....	75	70643573.....	207	70644529.....	61	70645083.....	177	70647567.....	190
70642191.....	316	70643586.....	325	70644530.....	61	70645083.....	8	70647568.....	190

NUMERICAL INDEX

PART NO.	PAGE	PART NO.	PAGE	PART NO.	PAGE	PART NO.	PAGE	PART NO.	PAGE
70647907.....	234	70650144.....	281	70650770.....	249	70651999.....	11	70654652.....	292
70647975.....	245	70650145.....	281	70650770.....	249A	70651999.....	62	70654656.....	223
70647976.....	245	70650146.....	281	70650771.....	249	70651999.....	8	70654834.....	63
70647996.....	149	70650147.....	281	70650772.....	249	70652004.....	11	70654840.....	63
70648043.....	132	70650178.....	327A	70650811.....	191	70652004.....	62	70654930.....	312
70648230.....	61	70650189.....	214A	70650812.....	193	70652005.....	11	70654986.....	293
70648230.....	8	70650189.....	215	70650826.....	89	70652005.....	62	70654987.....	292
70648262.....	307	70650193.....	215	70650826.....	91	70652011.....	201	70654988.....	292
70648287.....	275	70650223.....	101	70650827.....	91	70652012.....	209	70654989.....	292
70648294.....	271	70650224.....	101	70650847.....	245	70652013.....	201	70654990.....	292
70648299.....	102	70650225.....	105	70650853.....	172	70652014.....	209	70654991.....	292
70648331.....	284	70650233.....	102	70650901.....	312	70652015.....	209	70655140.....	89
70648406.....	235	70650236.....	101	70650914.....	311	70652015.....	8	70655271.....	92
70648477.....	75	70650237.....	101	70650916.....	311	70652016.....	201	70655273.....	92
70648543.....	323	70650273.....	229	70650918.....	311	70652017.....	209	70655416.....	63
70648551.....	323	70650274.....	229	70650959.....	89	70652018.....	201	70655452.....	10
70648552.....	1	70650275.....	229	70650967.....	11	70652019.....	209	70655452.....	16
70648618.....	190	70650276.....	229	70650967.....	62	70652025.....	11	70655458.....	255
70648619.....	155	70650299.....	302	70650967.....	8	70652025.....	62	70655460.....	10
70648643.....	285	70650301.....	89	70651041.....	89	70652025.....	8	70655460.....	89
70648646.....	285	70650301.....	91	70651113.....	209	70652026.....	11	70655460.....	91
70648647.....	259	70650302.....	89	70651168.....	315	70652026.....	62	70655470.....	251
70648652.....	285	70650302.....	91	70651184.....	325	70652026.....	8	70655484.....	293
70648683.....	285	70650308.....	146	70651274.....	199	70652567.....	63	70655484.....	294
70648717.....	282	70650313.....	289	70651369.....	189	70652586.....	63	70655485.....	293
70648748.....	251	70650397.....	168	70651370.....	259	70652587.....	63	70655485.....	294
70648793.....	157	70650397.....	171	70651421.....	189	70652588.....	63	70655488.....	253
70648860.....	1	70650399.....	132	70651431.....	223	70652589.....	63	70655548.....	253A
70648924.....	270	70650413.....	1	70651432.....	218	70652590.....	63	70655564.....	217
70648925.....	270	70650414.....	1	70651451.....	226	70653113.....	253C	70655566.....	185
70648956.....	223	70650415.....	1	70651464.....	226	70653701.....	182	70655663.....	182
70648992.....	63	70650416.....	195	70651482.....	189	70653773.....	229	70655666.....	182
70649121.....	245	70650417.....	195	70651499.....	194	70653916.....	176	70655695.....	295
70649122.....	245	70650418.....	195	70651501.....	199	70653919.....	176	70655743.....	221
70649123.....	312	70650419.....	195	70651502.....	191	70653920.....	176	70655777.....	181
70649130.....	277	70650420.....	195	70651529.....	212	70653923.....	176	70655779.....	182
70649407.....	282	70650427.....	172	70651531.....	212	70653928.....	176	70655782.....	206
70649443.....	1	70650428.....	173	70651532.....	212	70653929.....	215	70655782.....	208
70649444.....	1	70650430.....	172	70651533.....	212	70653929.....	217	70655837.....	259
70649445.....	1	70650431.....	173	70651564.....	222	70653930.....	214B	70655838.....	259
70649449.....	283	70650459.....	171	70651565.....	222	70653930.....	215	70655838.....	259B
70649498.....	274	70650459.....	8	70651566.....	222	70653931.....	214A	70655838.....	259D
70649505.....	1	70650509.....	63	70651567.....	222	70653931.....	215	70655852.....	317
70649506.....	1	70650581.....	77	70651569.....	222	70653932.....	214A	70655968.....	301
70649507.....	1	70650587.....	286	70651570.....	222	70653932.....	215	70655969.....	298
70649513.....	237	70650621.....	275	70651571.....	222	70653932.....	217	70655998.....	207
70649592.....	275	70650662.....	271	70651572.....	222	70653933.....	214A	70655998.....	208
70649700.....	263	70650668.....	194	70651573.....	222	70653933.....	215	70655999.....	206
70649761.....	262	70650671.....	91	70651574.....	222	70653934.....	214A	70655999.....	208
70649762.....	262	70650672.....	215	70651575.....	222	70653934.....	215	70655999.....	217
70649763.....	262	70650672.....	217	70651576.....	222	70653934.....	217	70656151.....	225
70649764.....	262	70650673.....	215	70651577.....	222	70653935.....	176	70656155.....	181
70649765.....	262	70650673.....	217	70651625.....	145	70653936.....	214A	70656159.....	181
70649766.....	262	70650674.....	215	70651629.....	138	70653936.....	215	70656179.....	215
70649808.....	273	70650674.....	217	70651654.....	138	70653936.....	217	70656179.....	217
70649903.....	107	70650675.....	214A	70651655.....	138	70653937.....	215	70656181.....	282
70650007.....	155	70650675.....	215	70651694.....	138	70653937.....	217	70656197.....	145
70650131.....	281	70650675.....	217	70651698.....	138	70654074.....	217	70656226.....	170
70650132.....	281	70650676.....	215	70651774.....	177	70654089.....	217	70656226.....	176
70650133.....	281	70650676.....	217	70651796.....	177	70654096.....	105A	70656231.....	143
70650134.....	281	70650677.....	215	70651894.....	287	70654096.....	105D	70656232.....	171
70650135.....	281	70650677.....	217	70651977.....	287	70654098.....	105A	70656233.....	171
70650136.....	281	70650678.....	215	70651990.....	11	70654098.....	105D	70656234.....	282
70650137.....	281	70650678.....	217	70651990.....	170	70654180.....	203	70656290.....	283
70650138.....	281	70650679.....	214A	70651990.....	8	70654180.....	217	70656325.....	263
70650139.....	281	70650679.....	215	70651991.....	11	70654401.....	143	70656331.....	29
70650140.....	281	70650679.....	217	70651991.....	171	70654477.....	248	70656332.....	101
70650141.....	281	70650691.....	193	70651991.....	8	70654501.....	163	70656407.....	275
70650142.....	281	70650761.....	249	70651995.....	11	70654501.....	8	70656572.....	212
70650143.....	281	70650768.....	249	70651995.....	171	70654530.....	283	70656573.....	212

NUMERICAL INDEX

PART NO.	PAGE	PART NO.	PAGE	PART NO.	PAGE	PART NO.	PAGE	PART NO.	PAGE
70656574.....	212	70659401.....	10	70663799.....	1	70667378.....	253D	70673044.....	253
70656642.....	287	70659401.....	129	70664033.....	259	70667379.....	253A	70673044.....	253B
70656644.....	93	70659401.....	8	70664037.....	259	70667435.....	259A	70673454.....	214A
70656645.....	93	70659432.....	10	70664123.....	263	70667436.....	259B	70674412.....	214A
70656646.....	93	70659432.....	129	70664236.....	263	70667600.....	251	70675229.....	107
70656647.....	93	70659433.....	10	70664268.....	243	70667645.....	251	70676091.....	185
70656694.....	176	70659433.....	129	70664268.....	243A	70667646.....	251	70676122.....	251
70656795.....	243	70659514.....	172	70664270.....	189	70667647.....	251	70676122.....	251B
70656795.....	243B	70659519.....	171	70664274.....	189	70667648.....	251	70676698.....	107
70656796.....	243	70659538.....	286	70664280.....	243	70668252.....	65	70676787.....	214A
70656796.....	243B	70659539.....	286	70664280.....	243A	70668262.....	65	70677005.....	101
70656983.....	189	70659540.....	286	70664281.....	243	70668263.....	65	70677005.....	122
70656984.....	189	70659541.....	286	70664281.....	243A	70668276.....	105D	70677006.....	123
70657358.....	327A	70659546.....	53	70664301.....	189	70668373.....	1	70677006.....	243
70657372.....	143	70659546.....	8	70664745.....	241	70668374.....	1	70677006.....	243B
70657373.....	145	70659547.....	53	70664774.....	241	70668375.....	1	70677006.....	68
70657548.....	10	70659547.....	8	70664851.....	189	70668509.....	214A	70677010.....	253B
70657548.....	129	70659707.....	10	70664852.....	189	70668592.....	105A	70677010.....	253D
70657553.....	327A	70659707.....	17	70664867.....	63	70668595.....	105A	70677388.....	253A
70657556.....	327A	70659774.....	135	70664867.....	65	70668804.....	65	70677634.....	222A
70657564.....	277	70660070.....	327A	70664868.....	63	70668805.....	65	70677634.....	222B
70657580.....	271	70660801.....	259	70665110.....	261	70668806.....	65	70677636.....	222A
70657679.....	327A	70661268.....	172	70665113.....	261	70669331.....	105	70677637.....	222A
70657680.....	327A	70661268.....	211	70665114.....	261	70669332.....	105D	70677637.....	222B
70658293.....	295	70661345.....	297	70665115.....	261	70669345.....	214A	70677638.....	222A
70658313.....	300	70661534.....	172	70665147.....	287	70669345.....	217	70677638.....	222B
70658348.....	297	70661587.....	11	70665248.....	249	70669348.....	214B	70677639.....	222A
70658349.....	298	70661676.....	222	70665617.....	53	70669348.....	217	70677639.....	222B
70658349.....	299	70662274.....	199	70665618.....	53	70669350.....	214A	70677641.....	222A
70658397.....	297	70662275.....	199	70665667.....	189	70669351.....	214A	70677641.....	222B
70658399.....	1	70662303.....	176	70665669.....	245	70669351.....	217	70677642.....	222A
70658514.....	10	70662529.....	259A	70665670.....	245	70669352.....	214A	70677642.....	222B
70658514.....	129	70662896.....	259B	70665806.....	107	70669352.....	217	70677643.....	222A
70658517.....	10	70662897.....	249A	70665891.....	17	70669408.....	243B	70677643.....	222B
70658517.....	135	70662924.....	249A	70666098.....	261	70669409.....	243	70678363.....	1
70658538.....	273	70662940.....	249A	70666185.....	301	70669409.....	243A	70678536.....	1
70658556.....	10	70662957.....	249A	70666367.....	261	70669523.....	1	70679375.....	145
70658556.....	135	70662988.....	132	70666407.....	261	70669533.....	101	70679507.....	199A
70658600.....	157	70662989.....	132	70666497.....	286	70669548.....	107	70680947.....	194
70658607.....	10	70662990.....	132	70666518.....	105A	70669553.....	245	70681049.....	140
70658607.....	143	70662991.....	132	70666518.....	107	70669554.....	245	70681695.....	214B
70658607.....	8	70662992.....	132	70666597.....	261	70669565.....	219	70681718.....	1
70658610.....	10	70662993.....	132	70666831.....	105	70669770.....	199	70681812.....	1
70658610.....	143	70663083.....	257	70666831.....	105D	70669992.....	176	70682797.....	1
70658737.....	234	70663123.....	222	70666832.....	101	70669994.....	176	70682823.....	253C
70658746.....	135	70663124.....	222	70666854.....	1	70669996.....	176	70682843.....	105D
70658779.....	10	70663207.....	259A	70666955.....	105D	70669997.....	176	70684490.....	243A
70658779.....	89	70663208.....	259A	70667010.....	253B	70669998.....	176	70684654.....	222A
70658779.....	91	70663251.....	241	70667233.....	259B	70670062.....	253C	70684725.....	187
70658799.....	11	70663370.....	259B	70667236.....	253B	70670064.....	253C	70684726.....	193
70658799.....	299	70663370.....	259D	70667236.....	253D	70670066.....	253C	70685624.....	107
70658799.....	8	70663382.....	259B	70667252.....	12	70670068.....	253C	70686065.....	253D
70658800.....	1	70663383.....	259B	70667252.....	12A	70670849.....	251B	70686066.....	253D
70659002.....	296	70663384.....	259B	70667252.....	39	70671143.....	251B	70686367.....	105
70659003.....	296	70663394.....	259B	70667252.....	39A	70671145.....	251B	70686367.....	105D
70659075.....	77	70663419.....	259B	70667263.....	259A	70671177.....	251B	70686368.....	105D
70659093.....	277	70663424.....	199	70667264.....	259A	70671611.....	1	70686969.....	1
70659102.....	279	70663427.....	243	70667292.....	259B	70671626.....	253C	70688004.....	251B
70659102.....	281	70663428.....	243	70667299.....	259A	70671627.....	253C	70688006.....	251B
70659112.....	327A	70663429.....	199	70667300.....	259B	70671628.....	253C	70688007.....	251B
70659141.....	277	70663449.....	259A	70667328.....	259B	70671629.....	253C	70688012.....	251B
70659149.....	255	70663450.....	259B	70667340.....	259B	70671682.....	259B	70689291.....	251B
70659175.....	327B	70663466.....	259B	70667343.....	259B	70671682.....	259D	70689443.....	176
70659184.....	129	70663466.....	259D	70667366.....	253B	70671683.....	259B	70690291.....	214A
70659184.....	132	70663548.....	259B	70667366.....	253D	70671683.....	259D	70690367.....	243A
70659195.....	89	70663552.....	259B	70667367.....	253B	70671684.....	259B	70690368.....	243A
70659195.....	91	70663552.....	259D	70667367.....	253D	70671685.....	259B	70690650.....	251B
70659259.....	327A	70663563.....	259B	70667377.....	253B	70671685.....	259D	70690665.....	251B
70659385.....	10	70663563.....	259D	70667377.....	253D	70673043.....	253	70690667.....	251B
70659385.....	129	70663596.....	259B	70667378.....	253B	70673043.....	253A	70691033.....	259C

NUMERICAL INDEX

PART NO.	PAGE	PART NO.	PAGE	PART NO.	PAGE	PART NO.	PAGE	PART NO.	PAGE
70691056.....	259C	70900818.....	79	70904204.....	80	70904206.....	327A	70904208.....	274
70691066.....	259C	70900819.....	65	70904204.....	89	70904206.....	37	70904208.....	277
70691071.....	259C	70900820.....	241	70904204.....	91	70904206.....	39	70904208.....	283
70691074.....	259C	70900942.....	73	70904204.....	95	70904206.....	40	70904208.....	285
70691305.....	251B	70900942.....	77	70904205.....	101	70904206.....	41	70904208.....	29
70691372.....	251B	70900942.....	79	70904205.....	102	70904206.....	43	70904208.....	290
70691549.....	214A	70900942.....	80	70904205.....	105	70904206.....	51	70904208.....	309
70691604.....	253C	70900970.....	173	70904205.....	105A	70904206.....	53	70904208.....	312
70691607.....	253C	70900970.....	211	70904205.....	105D	70904206.....	57	70904208.....	317
70691619.....	259C	70900970.....	75	70904205.....	120	70904206.....	61	70904208.....	319
70691620.....	259C	70900970.....	77	70904205.....	158	70904206.....	62	70904208.....	32
70691621.....	259C	70901165.....	120	70904205.....	163	70904206.....	67	70904208.....	33
70691622.....	259C	70901171.....	72	70904205.....	175	70904206.....	72	70904208.....	43
70691912.....	107	70901223.....	161	70904205.....	214	70904206.....	77	70904208.....	47
70691913.....	107	70901310.....	72	70904205.....	27	70904206.....	79	70904208.....	49
70693694.....	199A	70901310.....	98	70904205.....	33	70904206.....	83	70904208.....	51
70693957.....	134	70901478.....	123B	70904205.....	43	70904206.....	87	70904208.....	56
70695472.....	309	70901489.....	189	70904205.....	51	70904206.....	89	70904208.....	59
70695694.....	291A	70901651.....	203	70904205.....	56	70904206.....	92	70904208.....	65
70695996.....	222B	70901651.....	207	70904205.....	73	70904207.....	102	70904208.....	67
70696657.....	1	70901651.....	208	70904205.....	79	70904207.....	117	70904208.....	68
70696986.....	185	70901651.....	295	70904206.....	101	70904207.....	119	70904208.....	73
70698293.....	1	70901652.....	172	70904206.....	102	70904207.....	123A	70904208.....	77
70698502.....	1	70901652.....	183	70904206.....	109	70904207.....	125	70904208.....	79
70698554.....	1	70901652.....	295	70904206.....	11	70904207.....	127	70904208.....	81
70698555.....	1	70901661.....	211	70904206.....	110	70904207.....	129	70904208.....	87
70698911.....	132	70901666.....	135	70904206.....	111A	70904207.....	165	70904208.....	88
70699049.....	151	70901666.....	172	70904206.....	111B	70904207.....	203	70904208.....	91
70699061.....	253D	70901666.....	195	70904206.....	114	70904207.....	206	70904209.....	143
70699853.....	1	70901667.....	80B	70904206.....	115	70904207.....	208	70904209.....	190
70699888.....	214A	70901668.....	81	70904206.....	117	70904207.....	305	70904209.....	195
70699889.....	214B	70901765.....	189	70904206.....	118	70904207.....	41	70904209.....	197
70699915.....	133	70901767.....	145	70904206.....	119	70904207.....	67	70904209.....	199
70827650.....	215	70901781.....	159	70904206.....	121	70904208.....	107	70904209.....	229
70827650.....	217	70901781.....	99	70904206.....	127	70904208.....	107A	70904209.....	233
70900585.....	220	70901839.....	117	70904206.....	129	70904208.....	109	70904209.....	237
70900703.....	37	70901839.....	51	70904206.....	137	70904208.....	11	70904209.....	239
70900764.....	319	70902071.....	133	70904206.....	138	70904208.....	113	70904209.....	241
70900801.....	159	70902872.....	12	70904206.....	145	70904208.....	114	70904209.....	253
70900801.....	182	70903093.....	233	70904206.....	155	70904208.....	115	70904209.....	253A
70900801.....	225	70903574.....	110	70904206.....	157	70904208.....	120	70904209.....	263
70900801.....	279	70903625.....	213	70904206.....	163	70904208.....	121	70904209.....	265
70900801.....	305	70903626.....	85B	70904206.....	171	70904208.....	123	70904209.....	267
70900802.....	311	70903772.....	105	70904206.....	179	70904208.....	125	70904209.....	269
70900806.....	10	70903772.....	105A	70904206.....	181	70904208.....	127	70904209.....	270
70900806.....	16	70903772.....	105D	70904206.....	202	70904208.....	129	70904209.....	273
70900806.....	17	70903773.....	105	70904206.....	206	70904208.....	137	70904209.....	293
70900806.....	181	70903775.....	309	70904206.....	208	70904208.....	138	70904209.....	314
70900806.....	229	70904003.....	230	70904206.....	21	70904208.....	165	70904209.....	315
70900806.....	234	70904016.....	197	70904206.....	21A	70904208.....	166	70904209.....	325
70900806.....	235	70904203.....	146	70904206.....	263	70904208.....	168	70904209.....	57
70900806.....	275	70904203.....	72	70904206.....	265	70904208.....	169	70904209.....	63
70900806.....	284	70904203.....	98	70904206.....	267	70904208.....	171	70904209.....	80
70900806.....	320	70904204.....	109	70904206.....	269	70904208.....	179	70904210.....	237
70900806.....	321	70904204.....	158	70904206.....	270	70904208.....	181	70904210.....	284
70900806.....	73	70904204.....	174	70904206.....	28	70904208.....	183	70904210.....	285
70900806.....	77	70904204.....	175	70904206.....	282	70904208.....	189	70904210.....	323
70900807.....	305	70904204.....	214	70904206.....	290	70904208.....	190	70904210.....	324
70900808.....	107	70904204.....	27	70904206.....	293	70904208.....	191	70904223.....	189
70900808.....	111	70904204.....	292	70904206.....	295	70904208.....	193	70904224.....	113
70900808.....	17	70904204.....	302	70904206.....	296	70904208.....	199	70904271.....	110
70900808.....	229	70904204.....	306	70904206.....	306	70904208.....	199A	70904271.....	111B
70900808.....	305	70904204.....	313	70904206.....	309	70904208.....	202	70904271.....	123
70900808.....	38	70904204.....	327A	70904206.....	312	70904208.....	205	70904273.....	89
70900817.....	89	70904204.....	33	70904206.....	315	70904208.....	21	70904273.....	91
70900817.....	92	70904204.....	38	70904206.....	316	70904208.....	233	70904369.....	102
70900818.....	120	70904204.....	39	70904206.....	317	70904208.....	234	70904369.....	237
70900818.....	235	70904204.....	59	70904206.....	32	70904208.....	241	70904369.....	239
70900818.....	289	70904204.....	68	70904206.....	32C	70904208.....	262	70904369.....	241
70900818.....	294	70904204.....	72	70904206.....	321	70904208.....	273	70904369.....	245

NUMERICAL INDEX

PART NO.	PAGE	PART NO.	PAGE	PART NO.	PAGE	PART NO.	PAGE	PART NO.	PAGE
70904369.....	251	70910244.....	169	70911026.....	129	70911043.....	205	70911115.....	282
70904369.....	262	70910244.....	171	70911026.....	179	70911043.....	207	70911115.....	289
70904369.....	269	70910244.....	179	70911026.....	271	70911043.....	209	70911115.....	290
70904369.....	272	70910244.....	182	70911028.....	11	70911043.....	223	70911115.....	293
70904369.....	282	70910244.....	234	70911028.....	171	70911043.....	233	70911115.....	294
70904369.....	283	70910244.....	289	70911028.....	274	70911043.....	234	70911115.....	295
70904369.....	73	70910244.....	29	70911028.....	299	70911043.....	273	70911115.....	298
70904369.....	79	70910244.....	290	70911028.....	309	70911043.....	275	70911115.....	299
70904516.....	20	70910244.....	305	70911028.....	311	70911043.....	289	70911115.....	309
70905014.....	123B	70910244.....	311	70911028.....	327	70911043.....	294	70911115.....	312
70905121.....	305	70910244.....	59	70911029.....	269	70911043.....	309	70911115.....	327
70905122.....	107	70910244.....	73	70911029.....	270	70911043.....	311	70911115.....	51
70905122.....	158	70910244.....	77	70911029.....	63	70911043.....	317	70911115.....	53
70905122.....	174	70910255.....	305	70911030.....	243B	70911043.....	319	70911115.....	57
70905123.....	181	70910267.....	75	70911034.....	75	70911043.....	53	70911115.....	61
70905123.....	183	70910286.....	101	70911034.....	77	70911043.....	56	70911115.....	62
70905123.....	223	70910286.....	105D	70911035.....	125	70911043.....	73	70911115.....	72
70905123.....	225	70910286.....	146	70911035.....	270	70911043.....	79	70911115.....	77
70905127.....	24	70910286.....	53	70911035.....	75	70911043.....	88	70911115.....	80
70905129.....	24	70910287.....	107	70911040.....	306	70911043.....	91	70911168.....	102
70905347.....	255	70910287.....	146	70911040.....	313	70911044.....	233	70911168.....	51
70905357.....	251	70910287.....	157	70911040.....	80	70911044.....	247	70911168.....	56
70905357.....	253	70910287.....	218	70911040.....	89	70911044.....	270	70911255.....	243
70905357.....	253A	70910287.....	223	70911040.....	91	70911044.....	293	70911423.....	39
70905357.....	255	70910287.....	225	70911041.....	11	70911044.....	294	70911982.....	227
70905357.....	99	70910287.....	243	70911041.....	110	70911044.....	307	70911992.....	12
70905359.....	163	70910287.....	243B	70911041.....	118	70911044.....	325	70911992.....	438
70905360.....	155	70910287.....	53	70911041.....	127	70911044.....	37	70912007.....	12
70905564.....	220	70910287.....	68	70911041.....	137	70911044.....	57	70912007.....	39A
70905655.....	302	70910302.....	230	70911041.....	138	70911044.....	63	70912069.....	109
70905845.....	67	70910302.....	233	70911041.....	163	70911045.....	237	70912069.....	118B
70905850.....	37	70910320.....	234	70911041.....	179	70911045.....	241	70912069.....	117
70906960.....	309	70910324.....	114	70911041.....	181	70911045.....	243	70912069.....	37
70906961.....	307	70910324.....	115	70911041.....	202	70911045.....	269	70912177.....	80
70907013.....	38	70910324.....	118	70911041.....	223	70911046.....	102	70912178.....	306
70907070.....	243	70910324.....	83	70911041.....	225	70911047.....	237	70912201.....	123A
70907070.....	31	70910325.....	33	70911041.....	267	70911047.....	245	70912226.....	95
70907154.....	95	70910334.....	296	70911041.....	269	70911047.....	269	70912262.....	186
70907859.....	135	70910335.....	101	70911041.....	277	70911047.....	320	70912264.....	174
70907859.....	151	70910335.....	279	70911041.....	282	70911048.....	181	70912267.....	183
70907863.....	45A	70910335.....	43	70911041.....	290	70911048.....	182	70912267.....	217
70907863.....	45B	70910510.....	109	70911041.....	293	70911048.....	221	70912274.....	41
70908944.....	220	70910819.....	109	70911041.....	294	70911048.....	227	70912331.....	111
70908944.....	226	70910847.....	118	70911041.....	295	70911048.....	73	70912331.....	305
70908944.....	230	70910847.....	19	70911041.....	296	70911048.....	75	70912333.....	113
70909055.....	159	70910847.....	230	70911041.....	298	70911048.....	77	70912333.....	115
70909091.....	133	70910847.....	233	70911041.....	299	70911048.....	80	70912333.....	27
70909091.....	134	70910867.....	275	70911041.....	302	70911048.....	89	70912333.....	39
70909367.....	302	70910879.....	17	70911041.....	306	70911049.....	296	70912333.....	49
70910005.....	213	70910880.....	72	70911041.....	316	70911049.....	55	70912333.....	81
70910095.....	81	70910883.....	229	70911041.....	51	70911051.....	234	70912415.....	119
70910123.....	109	70910916.....	189	70911041.....	53	70911081.....	189	70912415.....	18
70910123.....	111A	70910916.....	237	70911041.....	57	70911114.....	27	70912415.....	59
70910123.....	37	70910916.....	245	70911041.....	61	70911114.....	289	70912441.....	107
70910141.....	38	70910916.....	261	70911041.....	79	70911114.....	68	70912441.....	107A
70910195.....	113	70910916.....	263	70911041.....	87	70911114.....	91	70912441.....	122
70910195.....	29	70910916.....	267	70911041.....	89	70911115.....	11	70912441.....	145
70910224.....	44	70910916.....	269	70911041.....	92	70911115.....	114	70912441.....	145
70910230.....	107	70910916.....	320	70911043.....	107	70911115.....	115	70912441.....	153
70910231.....	135	70910916.....	323	70911043.....	107A	70911115.....	121	70912441.....	155
70910231.....	159	70910919.....	123A	70911043.....	11	70911115.....	127	70912441.....	187
70910231.....	185	70911021.....	24	70911043.....	125	70911115.....	132	70912441.....	223
70910244.....	114	70911024.....	292	70911043.....	127	70911115.....	146	70912441.....	225
70910244.....	115	70911024.....	327A	70911043.....	129	70911115.....	171	70912441.....	243A
70910244.....	121	70911024.....	55	70911043.....	165	70911115.....	179	70912441.....	251
70910244.....	125	70911025.....	101	70911043.....	168	70911115.....	181	70912441.....	307
70910244.....	127	70911025.....	105	70911043.....	169	70911115.....	182	70912441.....	53
70910244.....	147	70911025.....	105A	70911043.....	179	70911115.....	183	70912441.....	81
70910244.....	165	70911025.....	105D	70911043.....	181	70911115.....	202	70912731.....	291
70910244.....	166	70911026.....	121	70911043.....	183	70911115.....	279	70912731.....	291A

NUMERICAL INDEX

PART NO.	PAGE	PART NO.	PAGE	PART NO.	PAGE	PART NO.	PAGE	PART NO.	PAGE
70912739.....	291	70915274.....	107	70916168.....	80	70916532.....	279	70918887.....	133
70912739.....	291A	70915274.....	305	70916191.....	117	70916532.....	281	70918887.....	18
70912789.....	309	70915275.....	109	70916197.....	123A	70916543.....	12	70918887.....	33
70912808.....	140	70915275.....	110	70916222.....	215	70916543.....	43A	70918887.....	59
70912900.....	229	70915275.....	261	70916222.....	217	70916543.....	43B	70918888.....	49
70912942.....	197	70915343.....	109	70916225.....	109	70916555.....	284	70918951.....	47
70912942.....	253C	70915343.....	39	70916266.....	16	70916591.....	73	70918951.....	49
70912942.....	307	70915343.....	68	70916268.....	79	70916871.....	12	70919048.....	121
70913077.....	284	70915399.....	96	70916268.....	83	70916871.....	43B	70919062.....	163
70913077.....	285	70915406.....	33	70916269.....	121	70916873.....	123B	70919062.....	51
70913097.....	285	70915406.....	55	70916269.....	83	70916965.....	277	70919062.....	59
70913097.....	324	70915408.....	110	70916271.....	119	70917014.....	37	70919062.....	61
70913105.....	251	70915408.....	119	70916271.....	121	70917014.....	38	70919062.....	62
70913257.....	110	70915408.....	21A	70916271.....	67	70917023.....	37	70919062.....	68
70913257.....	111B	70915408.....	40	70916272.....	115	70917038.....	179	70919063.....	121
70913257.....	123B	70915408.....	72	70916272.....	119	70917151.....	218	70919063.....	177
70913280.....	16	70915408.....	83	70916272.....	32	70917192.....	243A	70919063.....	59
70913280.....	17	70915432.....	99	70916272.....	32C	70917264.....	147	70919063.....	61
70913471.....	305	70915480.....	218	70916272.....	327	70917356.....	111	70919063.....	62
70913472.....	305	70915486.....	98	70916273.....	107	70917356.....	85	70919063.....	83
70913475.....	38	70915488.....	98	70916274.....	119	70917356.....	85B	70919064.....	127
70913533.....	235	70915556.....	98	70916284.....	27	70917409.....	37	70919065.....	51
70913544.....	32	70915557.....	98	70916284.....	89	70917409.....	38	70919065.....	53
70913544.....	32C	70915569.....	79	70916285.....	327A	70917425.....	86	70919066.....	56
70913544.....	83	70915692.....	107	70916286.....	59	70917425.....	86A	70919072.....	163
70913633.....	218	70915751.....	44	70916310.....	241	70917554.....	19	70919075.....	6
70913636.....	101	70915797.....	275	70916310.....	67	70917555.....	44	70919075.....	7
70913636.....	102	70915807.....	33	70916311.....	113	70917555.....	45	70919075.....	8
70913636.....	51	70915809.....	85	70916311.....	115	70917626.....	109	70919076.....	6
70913636.....	53	70915813.....	27	70916311.....	120	70917673.....	18	70919076.....	7
70913636.....	56	70915813.....	41	70916311.....	121	70917673.....	24	70919076.....	8
70913636.....	73	70915813.....	43	70916311.....	123	70917673.....	31	70919079.....	7
70913636.....	79	70915903.....	214A	70916311.....	171	70917673.....	37	70919079.....	8
70913683.....	111B	70915903.....	215	70916311.....	21	70917673.....	38	70919080.....	7
70913706.....	98	70915903.....	217	70916311.....	32	70917673.....	80B	70919080.....	8
70913755.....	43	70915904.....	135	70916311.....	33	70917809.....	117	70919081.....	6
70913798.....	107	70915905.....	186	70916311.....	59	70917809.....	71	70919081.....	7
70913830.....	75	70915922.....	95	70916311.....	68	70917809.....	72	70919081.....	8
70914105.....	279	70915923.....	95	70916313.....	12	70917841.....	38	70919082.....	6
70914105.....	281	70915943.....	107	70916314.....	109	70917883.....	292	70919082.....	7
70914172.....	146	70915967.....	309	70916314.....	39	70917936.....	270	70919082.....	8
70914197.....	279	70915969.....	113	70916314.....	43	70918111.....	182	70919108.....	107
70914330.....	313	70915969.....	114	70916316.....	20	70918111.....	75	70919127.....	51
70914339.....	210	70915969.....	115	70916317.....	113	70918115.....	10	70919127.....	53
70914378.....	61	70915969.....	33	70916317.....	115	70918115.....	135	70919128.....	177
70914378.....	62	70915969.....	47	70916317.....	20	70918116.....	135	70919128.....	193
70914399.....	113	70915987.....	113	70916317.....	49	70918182.....	111	70919128.....	218
70914452.....	79	70915987.....	114	70916317.....	86	70918182.....	38	70919128.....	219
70914465.....	135	70915987.....	115	70916317.....	86A	70918210.....	302	70919128.....	56
70914465.....	243	70915987.....	39	70916318.....	115	70918374.....	119	70919134.....	109
70914465.....	243A	70915987.....	47	70916320.....	109	70918390.....	135	70919134.....	12
70914465.....	261	70915987.....	49	70916320.....	113	70918395.....	119	70919134.....	123A
70914465.....	263	70915987.....	86	70916320.....	115	70918397.....	174	70919134.....	222
70914465.....	270	70915987.....	86A	70916321.....	21	70918547.....	182	70919134.....	222A
70914659.....	71	70915989.....	181	70916322.....	113	70918547.....	185	70919134.....	222B
70914670.....	120	70915989.....	223	70916322.....	115	70918547.....	186	70919134.....	59
70914678.....	12	70915989.....	44	70916323.....	309	70918553.....	212	70919136.....	121
70914678.....	214A	70915990.....	107	70916323.....	49	70918623.....	105A	70919136.....	53
70914678.....	43A	70916001.....	43	70916324.....	49	70918697.....	49	70919140.....	295
70914686.....	58	70916001.....	43A	70916326.....	39	70918740.....	119	70919140.....	293
70914726.....	243	70916009.....	10	70916331.....	241	70918794.....	72	70919140.....	299
70914730.....	243	70916009.....	113	70916334.....	241	70918801.....	67	70919140.....	300
70914730.....	243A	70916009.....	115	70916335.....	241	70918850.....	18	70919140.....	301
70914782.....	105	70916009.....	17	70916372.....	323	70918850.....	68	70919143.....	6
70914799.....	327	70916009.....	21	70916385.....	67	70918851.....	12	70919143.....	7
70914838.....	145	70916021.....	241	70916388.....	11	70918851.....	18	70919143.....	8
70914847.....	114	70916146.....	313	70916388.....	202	70918851.....	31	70919144.....	6
70914847.....	32	70916168.....	182	70916389.....	87	70918851.....	39A	70919144.....	7
70914847.....	39	70916168.....	222A	70916389.....	89	70918851.....	47	70919155.....	6
70914875.....	29	70916168.....	222B	70916406.....	253A	70918887.....	115	70919155.....	7

NUMERICAL INDEX

PART NO.	PAGE	PART NO.	PAGE	PART NO.	PAGE	PART NO.	PAGE	PART NO.	PAGE
70919155.....8		70919277.....7		70920232.....7		70920858.....7		70921303.....221	
70919156.....7		70919277.....8		70920232.....8		70920858.....8		70921326.....177	
70919156.....8		70919278.....6		70920242.....72		70920862.....6		70921330.....229	
70919158.....8		70919278.....7		70920275.....119		70920862.....7		70921396.....158	
70919159.....7		70919278.....8		70920301.....7		70920864.....6		70921396.....174	
70919171.....190		70919281.....6		70920301.....8		70920864.....7		70921401.....133	
70919171.....295		70919281.....7		70920302.....6		70920864.....8		70921401.....134	
70919171.....298		70919281.....8		70920302.....7		70920865.....6		70921402.....193	
70919171.....299		70919282.....6		70920302.....8		70920865.....7		70921405.....32C	
70919171.....96		70919282.....7		70920303.....6		70920865.....8		70921409.....218	
70919172.....125		70919282.....8		70920303.....7		70920867.....7		70921409.....219	
70919172.....127		70919288.....58		70920303.....8		70920867.....8		70921422.....122	
70919172.....129		70919294.....113		70920316.....163		70920868.....7		70921441.....107	
70919172.....53		70919294.....115		70920333.....111		70920868.....8		70921441.....243	
70919172.....59		70919303.....71		70920333.....18		70920869.....7		70921466.....177	
70919173.....190		70919331.....277		70920333.....220		70920872.....8		70921467.....125	
70919174.....300		70919342.....125		70920333.....59		70920875.....7		70921467.....127	
70919174.....301		70919342.....157		70920335.....229		70920875.....8		70921467.....129	
70919174.....89		70919342.....201		70920344.....6		70920877.....7		70921469.....229	
70919174.....91		70919342.....205		70920344.....7		70920877.....8		70921520.....37	
70919175.....7		70919342.....207		70920344.....8		70920879.....7		70921535.....253C	
70919180.....132		70919342.....209		70920416.....111		70920880.....7		70921535.....253D	
70919180.....159		70919347.....25		70920416.....118		70920880.....8		70921556.....311	
70919194.....6		70919464.....125		70920416.....119		70920882.....6		70921565.....135	
70919194.....7		70919464.....127		70920449.....186		70920882.....7		70921565.....146	
70919196.....7		70919464.....129		70920509.....7		70920882.....8		70921566.....105D	
70919196.....8		70919472.....143		70920512.....7		70921033.....6		70921569.....12	
70919204.....95		70919472.....177		70920513.....6		70921033.....7		70921569.....43A	
70919205.....59		70919481.....117		70920513.....7		70921033.....8		70921573.....193	
70919206.....56		70919615.....201		70920514.....7		70921034.....6		70921731.....190	
70919206.....61		70919615.....205		70920525.....119		70921034.....7		70921840.....157	
70919206.....62		70919615.....219		70920525.....145		70921034.....8		70921852.....61	
70919207.....7		70919761.....181		70920525.....157		70921068.....243B		70921852.....62	
70919207.....8		70919763.....77		70920539.....155		70921073.....109		70921865.....29	
70919218.....6		70919766.....67		70920552.....83		70921076.....107		70921865.....83	
70919218.....7		70919777.....19		70920569.....7		70921076.....134		70921884.....133	
70919218.....8		70919778.....67		70920582.....122		70921076.....68		70921887.....201	
70919219.....235		70919789.....123		70920582.....176		70921085.....176		70921911.....123	
70919223.....215		70919797.....72		70920583.....145		70921113.....296		70921911.....123A	
70919223.....217		70919800.....71				70921117.....125		70921911.....83	
70919224.....109		70919801.....40		70920583.....149		70921117.....127		70921912.....166	
70919224.....111B		70919820.....6		70920585.....145		70921117.....129		70921912.....169	
70919224.....118		70919820.....7		70920585.....153		70921117.....165		70921912.....171	
70919224.....119		70919821.....6		70920594.....45A		70921120.....7		70921912.....226	
70919224.....21		70919821.....7		70920594.....45B		70921160.....175		70921912.....309	
70919224.....39		70919822.....12		70920660.....185		70921160.....214		70921912.....83	
70919225.....111B		70919840.....114		70920722.....123		70921168.....253B		70921913.....138	
70919225.....117		70919840.....115		70920724.....6		70921175.....53		70921913.....201	
70919226.....118		70919840.....119		70920724.....7		70921204.....214A		70921913.....203	
70919226.....83		70919840.....145		70920727.....6		70921206.....214A		70921913.....207	
70919228.....67		70919840.....149		70920728.....7		70921214.....166		70921913.....209	
70919229.....19		70919840.....168		70920728.....8		70921214.....169		70921913.....226	
70919229.....21		70919840.....171		70920732.....7		70921214.....39A		70921914.....101	
70919230.....80B		70919840.....18		70920736.....7		70921215.....137		70921914.....102	
70919230.....81		70919840.....220		70920743.....277		70921215.....165		70921914.....230	
70919230.....87		70919840.....39		70920847.....7		70921215.....169		70921919.....92	
70919231.....113		70919840.....40		70920847.....8		70921216.....12		70922042.....7	
70919231.....115		70919840.....59		70920849.....6		70921216.....39A		70922044.....7	
70919244.....95		70919840.....80B		70920849.....7		70921225.....6		70922051.....132	
70919246.....127		70919840.....81		70920849.....8		70921227.....165		70922063.....214A	
70919246.....129		70920131.....120		70920850.....6		70921227.....168		70922064.....12	
70919246.....137		70920131.....122		70920850.....7		70921227.....169		70922064.....39A	
70919246.....169		70920132.....27		70920850.....8		70921227.....170		70922065.....39	
70919246.....171		70920144.....7		70920852.....6		70921227.....171		70922141.....7	
70919246.....177		70920144.....8		70920852.....7		70921228.....10		70922151.....7	
70919253.....7		70920221.....7		70920852.....8		70921228.....129		70922194.....110	
70919254.....7		70920221.....8		70920855.....6		70921228.....137		70922198.....119	
70919254.....8		70920222.....6		70920855.....7		70921228.....171		70922198.....29	
70919261.....327		70920222.....7		70920857.....7		70921228.....177		70922199.....113	
70919269.....157		70920222.....8		70920857.....8		70921241.....253C		70922199.....115	

NUMERICAL INDEX

PART NO.	PAGE	PART NO.	PAGE	PART NO.	PAGE	PART NO.	PAGE	PART NO.	PAGE
70922207.....7		70923594.....253C		70924828.....125		70928406.....218		73111871.....214A	
70922208.....7		70923605.....114		70924828.....127		70928532.....145		73111948.....199A	
70922220.....12		70923645.....12A		70924828.....129		70928839.....307		73111949.....199A	
70922220.....39A		70923645.....222		70924838.....327A		70928879.....32C		73113164.....230	
70922220.....43A		70923645.....222A		70924863.....111B		70928905.....128		73117505.....230	
70922221.....7		70923645.....71		70924864.....107		70929079.....193		73119464.....214A	
70922287.....183		70923649.....173		70924921.....176		70929188.....243B		74001318.....33	
70922290.....114		70923651.....113		70924950.....296		70929417.....80B		74020145.....71	
70922290.....115		70923651.....115		70924956.....89		70929417.....81		74021227.....69	
70922300.....53		70923651.....12A		70924956.....91		70930288.....214B		74025781.....128	
70922364.....7		70923664.....125		70924959.....296		70930307.....251B		74026614.....45A	
70922365.....7		70923664.....127		70924989.....222		70930951.....174		74026614.....45B	
70922366.....7		70923664.....125		70925106.....286		70931192.....185		74028077.....45A	
70922372.....7		70923664.....165		70925135.....107		70931732.....286		74029746.....128	
70922406.....7		70923738.....33		70925158.....287		70931785.....187		74036340.....21	
70922420.....12		70923810.....12A		70925162.....327A		70933855.....214A		74040013.....55	
70922505.....6		70923810.....27		70925164.....327B		70939624.....6		74041097.....111	
70922505.....7		70923813.....12A		70925238.....123A		71002296.....176		74041103.....47	
70922510.....155		70923813.....65		70925310.....176		71126490.....214A		74042081.....107	
70922510.....21		70923814.....134		70925612.....115		71178407.....214A		74049009.....85	
70922524.....132		70923822.....251		70925612.....12A		71178408.....214A		74049009.....85B	
70922526.....155		70923822.....253		70926147.....53		73001737.....220		74051483.....58	
70922683.....125		70923822.....253A		70926216.....215		73002757.....221		74051484.....58	
70922726.....223		70923824.....195		70926216.....217		73002767.....145		74051485.....59	
70922745.....151		70923824.....210		70926339.....105A		73002768.....146		74052173.....59	
70922763.....107		70923831.....261		70926566.....253B		73002769.....145		74052174.....59	
70922763.....146		70923834.....212		70926566.....253D		73007474.....111		74053336.....85	
70922763.....157		70923836.....173		70926672.....32C		73014007.....220		74053336.....85A	
70922843.....105D		70923847.....251B		70926699.....65		73034915.....133		74053409.....49	
70922849.....183		70923923.....273		70926717.....27		73035105.....132		74053410.....49	
70922850.....133		70923932.....251		70927044.....12		73037597.....151		74053627.....133	
70922884.....27		70923934.....12A		70927044.....43A		73037598.....151		74054566.....123	
70922935.....201		70923935.....109		70927157.....146		73037629.....151		74054568.....120	
70922935.....219		70923935.....111A		70927158.....307		73037641.....151		74054568.....122	
70922981.....207		70923935.....12A		70927173.....146		73037656.....151		74054569.....120	
70922981.....209		70923936.....12A		70927218.....135		73037667.....151		74054569.....122	
70923193.....12		70923941.....183		70927229.....105A		73037669.....151		74054570.....132	
70923193.....133		70923947.....218		70927236.....243		73037674.....151		74055031.....120	
70923193.....134		70923950.....12A		70927236.....243A		73037675.....151		74055031.....122	
70923193.....43A		70923980.....170		70927322.....68		73037676.....151		74055032.....121	
70923193.....43B		70924142.....12A		70927353.....243		73037677.....151		74055032.....123	
70923243.....253C		70924149.....243		70927353.....53		73037678.....152		74055033.....121	
70923276.....194		70924169.....281		70927358.....223		73037681.....151		74055033.....123	
70923276.....243A		70924226.....215		70927373.....101		73037684.....152		74055034.....121	
70923276.....53		70924226.....217		70927373.....185		73037730.....185		74055034.....123	
70923280.....37		70924227.....214B		70927446.....135		73037767.....151		74055187.....85	
70923325.....111		70924227.....215		70927475.....132		73037768.....151		74055187.....85B	
70923376.....220		70924227.....217		70927482.....132		73038933.....158		74055190.....85	
70923379.....12A		70924228.....12		70927522.....155		73038933.....174		74055191.....85	
70923379.....40		70924228.....43B		70927522.....187		73038935.....158		74055192.....85	
70923408.....44		70924306.....287		70927529.....253B		73038936.....174		74055192.....85A	
70923408.....45		70924320.....287		70927583.....12		73038937.....158		74055193.....85	
70923421.....111B		70924416.....222		70927583.....43B		73038938.....158		74055193.....85A	
70923438.....172		70924416.....222A		70927603.....197		73038940.....174		74055194.....85	
70923453.....243		70924416.....222B		70927771.....85		73039013.....158		74055194.....85A	
70923456.....251B		70924420.....39A		70927771.....85B		73039013.....175		74055195.....85	
70923548.....220		70924463.....287		70927801.....111		73039053.....174		74055195.....85A	
70923548.....235		70924541.....287		70927803.....111		73039053.....214		74055196.....85	
70923560.....97		70924548.....287		70928052.....327B		73045531.....89		74055196.....85A	
70923562.....222B		70924551.....287		70928133.....253A		73045531.....91		74055197.....85	
70923574.....221		70924552.....287		70928133.....253B		73107592.....222B		74055198.....85	
70923574.....37		70924555.....287		70928175.....243		73108069.....259D		74055199.....85	
70923575.....12A		70924636.....12		70928175.....243A		73108258.....222B		74055201.....85	
70923575.....218		70924636.....39A		70928211.....45A		73108259.....222B		74055201.....85A	
70923575.....230		70924694.....10		70928211.....45B		73108260.....222B		74055202.....85	
70923576.....113		70924694.....17		70928212.....12		73108728.....286		74055203.....85	
70923581.....251B		70924787.....176		70928212.....43A		73108827.....151		74055203.....85B	
70923585.....135		70924790.....176		70928309.....214B		73108945.....214A		74055206.....85	
70923590.....12A		70924822.....19		70928351.....145		73108992.....259C		74055206.....85B	
70923591.....251B		70924828.....10		70928394.....135		73110705.....155		74055454.....93	

NUMERICAL INDEX

PART NO.	PAGE	PART NO.	PAGE	PART NO.	PAGE	PART NO.	PAGE	PART NO.	PAGE
74055455.....93		74064566.....121		74255839.....111B		74359310.....43		74371742.....12A	
74055565.....59		74113897.....12A		74255895.....80B		74359310.....43A		74371742.....203	
74055913.....59		74113897.....19		74255895.....81		74359656.....49		74371742.....208	
74055971.....49		74115287.....71		74255898.....12A		74359972.....83		74372325.....47	
74055981.....85		74119937.....12A		74255898.....27		74360955.....33		74372325.....49	
74055981.....85B		74119937.....19		74255904.....12A		74361551.....12B		74372421.....111	
74055982.....85		74119937.....21		74255904.....27		74361740.....109		74372864.....17	
74056026.....85		74142263.....123		74255912.....12A		74361740.....111A		74373421.....83	
74056026.....85B		74251601.....38		74255912.....28		74361740.....12A		74373610.....47	
74056339.....85		74252682.....21		74255914.....80B		74361829.....38		74373612.....47	
74056339.....85A		74253190.....35		74255914.....81		74362310.....26		74373613.....47	
74056494.....85		74253195.....47		74255956.....117		74362338.....12		74373613.....49	
74056494.....85A		74253270.....86		74255956.....12B		74362338.....39A		74373614.....47	
74056616.....85		74253286.....68		74255956.....71		74362458.....119		74373619.....15	
74056617.....85		74253749.....22		74255956.....72		74362726.....37		74373716.....27	
74056620.....85		74253751.....47		74303038.....33		74362726.....38		74374127.....41	
74056621.....85		74253862.....107		74303694.....28		74364166.....38		74374129.....41	
74056632.....59		74253863.....107		74310257.....102		74364404.....37		74374129.....43	
74059012.....67		74253863.....305		74310257.....12A		74365627.....38		74374694.....86	
74059013.....67		74254100.....109		74310257.....20		74366461.....20		74374695.....86	
74059014.....67		74254100.....111B		74310257.....83		74367090.....12A		74374735.....47	
74059015.....67		74254295.....33		74313015.....119		74367090.....37		74374744.....86	
74059016.....85		74254580.....121		74317554.....119		74367187.....113		74375355.....86	
74059016.....85A		74254646.....83		74320597.....12		74367187.....81		74375682.....111	
74059017.....85		74254654.....214		74320597.....43A		74368154.....37		74375686.....111	
74059018.....85		74254670.....109		74335022.....20		74368154.....38		74375691.....111	
74059018.....85B		74254742.....38		74335352.....47		74368204.....20		74375694.....111	
74059262.....54		74254873.....12B		74335548.....43		74368205.....20		74376036.....86	
74059264.....55		74254873.....32		74335600.....43		74368206.....20		74376277.....33	
74059265.....55		74254873.....32C		74335610.....41		74369002.....20		74376294.....41	
74059266.....54		74254891.....21		74335610.....43		74369746.....38		74376398.....105	
74059343.....55		74254905.....133		74335647.....83		74369751.....38		74376398.....111A	
74059373.....55		74254948.....111		74335649.....83		74371027.....110		74376398.....12A	
74059380.....120		74254980.....327B		74335666.....47		74371027.....12A		74376483.....119	
74059380.....123		74255010.....121		74335669.....38		74371027.....21A		74376484.....31	
74059381.....120		74255011.....29		74336491.....10		74371036.....47		74376497.....31	
74059744.....85B		74255017.....68		74336491.....17		74371107.....80B		74376497.....32C	
74059745.....85B		74255020.....68		74336491.....21		74371107.....86		74376520.....115	
74059746.....85B		74255031.....109		74336558.....83		74371107.....86A		74376520.....123	
74059747.....85B		74255031.....214		74336646.....35		74371118.....37		74376529.....66	
74059748.....85B		74255110.....111B		74336897.....12A		74371119.....38		74376538.....33	
74059751.....85A		74255170.....121		74336897.....27		74371160.....113		74376590.....36	
74059979.....123		74255171.....121		74337015.....68		74371160.....115		74376591.....37	
74060643.....68		74255179.....71		74337019.....68		74371160.....12A		74376596.....37	
74060645.....68		74255196.....85		74337022.....68		74371253.....41		74376598.....37	
74060646.....68		74255286.....123		74337023.....68		74371255.....39		74376599.....37	
74060984.....85A		74255286.....123A		74339021.....49		74371270.....44		74376602.....36	
74061040.....68		74255287.....123		74339532.....12B		74371270.....45		74376603.....12A	
74061041.....68		74255287.....123A		74339535.....83		74371289.....12A		74376603.....37	
74061042.....68		74255334.....27		74346208.....86		74371289.....39		74376604.....37	
74061210.....85B		74255335.....27		74347751.....109		74371300.....44		74376609.....12A	
74061212.....85B		74255338.....111		74347752.....109		74371300.....45		74376609.....21	
74061213.....85B		74255351.....29		74348268.....47		74371345.....12A		74376627.....36	
74061214.....85B		74255361.....29		74348269.....47		74371345.....41		74376702.....36	
74061217.....85A		74255363.....114		74348270.....47		74371345.....43		74376718.....72	
74061218.....85A		74255490.....32C		74348440.....33		74371359.....20		74376749.....12A	
74061489.....25		74255491.....32C		74348440.....35		74371444.....21A		74376749.....20	
74061490.....25		74255511.....12A		74348682.....43		74371445.....21A		74376749.....45	
74061491.....25		74255511.....40		74348683.....43		74371503.....26		74376792.....22	
74061492.....25		74255511.....47		74348684.....43		74371707.....107		74376804.....22	
74061528.....20		74255513.....12A		74348691.....38		74371714.....67		74376813.....40	
74061548.....22		74255577.....32C		74348691.....43		74371715.....67		74376986.....22	
74061771.....25		74255631.....117		74349984.....40		74371716.....67		74376991.....40	
74061772.....25		74255631.....12A		74354439.....20		74371717.....67		74377037.....44	
74061773.....25		74255631.....40		74354537.....119		74371718.....67		74377038.....44	
74061774.....25		74255631.....49		74354568.....43		74371719.....67		74377039.....44	
74061775.....25		74255665.....12A		74354568.....43A		74371720.....67		74377039.....45	
74062107.....68B		74255665.....68		74354573.....43		74371721.....67		74377050.....45	
74062269.....111		74255781.....115		74355843.....68		74371740.....37		74377054.....45	
74062271.....111		74255781.....12A		74359248.....122		74371742.....10		74377120.....12A	

NUMERICAL INDEX

PART NO.	PAGE	PART NO.	PAGE	PART NO.	PAGE	PART NO.	PAGE	PART NO.	PAGE
74390678.....	31	74391869.....	33	74394058.....	22	74395889.....	47		
74390709.....	67	74391870.....	33	74394172.....	23	74395889.....	49		
74390715.....	69	74391885.....	38	74394200.....	12	74395935.....	68		
74390715.....	71	74391933.....	111B	74394221.....	23	74395936.....	68		
74390766.....	19	74391934.....	111B	74394222.....	23	74396002.....	24		
74390767.....	19	74391938.....	111B	74394223.....	23	74396006.....	12A		
74390769.....	83	74391949.....	111B	74394224.....	23	74396037.....	45B		
74390769.....	85	74391950.....	111B	74394318.....	68	74396039.....	45B		
74390837.....	21A	74391955.....	111B	74394434.....	123A	74396041.....	12A		
74390838.....	12	74392024.....	22	74394445.....	32C	74396041.....	45B		
74390887.....	110	74392051.....	32C	74394451.....	111	74396054.....	68B		
74390934.....	12	74392052.....	32C	74394673.....	12B	74396091.....	18		
74390992.....	111B	74392053.....	32C	74394677.....	12B	74396166.....	111		
74390995.....	111B	74392054.....	32C	74394678.....	12B	74396408.....	12B		
74391003.....	111B	74392057.....	68B	74394928.....	32	74396409.....	31		
74391019.....	38	74392068.....	32C	74394929.....	32	74500230.....	19		
74391022.....	12	74392121.....	68B	74394949.....	114	74506607.....	20		
74391022.....	26	74392626.....	123	74394949.....	115	74507359.....	72		
74391023.....	26	74393211.....	83	74394957.....	12A	74507415.....	72		
74391131.....	80B	74393325.....	111	74394957.....	43B	74509035.....	41		
74391131.....	81	74393341.....	12	74394971.....	12	74509035.....	43		
74391154.....	111B	74393341.....	43B	74395002.....	113	74511213.....	69		
74391160.....	28	74393346.....	45A	74395002.....	115	74511243.....	68B		
74391160.....	32	74393346.....	45B	74395011.....	86A	74511243.....	69		
74391161.....	32	74393349.....	45A	74395012.....	86A	74513810.....	109		
74391186.....	24	74393349.....	45B	74395024.....	12A	74513810.....	111A		
74391230.....	12	74393351.....	45A	74395024.....	43A	74517266.....	68B		
74391231.....	28	74393351.....	45B	74395053.....	12A	74640973.....	107		
74391237.....	119	74393354.....	45A	74395053.....	43A	74640975.....	107		
74391240.....	68B	74393354.....	45B	74395060.....	12A	74640976.....	107		
74391240.....	69	74393355.....	45A	74395060.....	43B	74640978.....	107		
74391306.....	31	74393355.....	45B	74395061.....	12A	74660358.....	19		
74391306.....	32C	74393359.....	12	74395061.....	43B	74660389.....	19		
74391307.....	31	74393359.....	12B	74395062.....	12A	74660423.....	12B		
74391307.....	32C	74393359.....	43A	74395062.....	43B	74660423.....	43		
74391351.....	110	74393362.....	12	74395087.....	45A	74660440.....	19		
74391351.....	111B	74393362.....	43A	74395087.....	45B	74660492.....	12B		
74391360.....	12	74393364.....	12	74395089.....	45A	74660492.....	21		
74391366.....	20	74393364.....	43A	74395092.....	45A	74660677.....	111		
74391378.....	20	74393397.....	12	74395109.....	19	74662263.....	113		
74391387.....	27	74393399.....	33	74395114.....	25	74662263.....	115		
74391390.....	39	74393426.....	20	74395115.....	25	74665306.....	19		
74391403.....	37	74393427.....	123A	74395116.....	25	74705801.....	19		
74391407.....	37	74393443.....	26	74395117.....	25	74751643.....	109		
74391408.....	38	74393443.....	31	74395118.....	25	74751643.....	12		
74391411.....	37	74393443.....	32C	74395119.....	25	74752002.....	109		
74391412.....	37	74393504.....	123A	74395120.....	25	74752002.....	111B		
74391412.....	38	74393505.....	123A	74395121.....	25	74905633.....	176		
74391419.....	37	74393521.....	123B	74395122.....	25	74905870.....	214B		
74391425.....	86	74393547.....	81	74395123.....	25	75000528.....	259D		
74391441.....	37	74393548.....	86A	74395124.....	25	79010713.....	309		
74391475.....	38	74393552.....	21	74395125.....	25	03045326.....	261		
74391554.....	38	74393560.....	21	74395126.....	25	04371742.....	206		
74391573.....	24	74393563.....	87	74395127.....	25				
74391578.....	26	74393587.....	26	74395128.....	25				
74391593.....	109	74393592.....	80B	74395185.....	24				
74391593.....	111B	74393599.....	12	74395235.....	12A				
74391646.....	39	74393599.....	43A	74395235.....	39A				
74391666.....	28	74393600.....	12	74395425.....	118				
74391683.....	24	74393600.....	43B	74395425.....	12B				
74391707.....	12B	74393601.....	12	74395447.....	113				
74391707.....	80B	74393601.....	43B	74395487.....	12B				
74391707.....	81	74393625.....	32	74395487.....	32C				
74391710.....	38	74393778.....	80B	74395610.....	49				
74391711.....	27	74393973.....	12	74395709.....	12B				
74391713.....	31	74393989.....	12B	74395713.....	12B				
74391714.....	31	74393989.....	32	74395803.....	12A				
74391715.....	87	74393989.....	32C	74395803.....	39				
74391845.....	33	74394009.....	68	74395803.....	39A				
74391849.....	33	74394053.....	23	74395855.....	68				