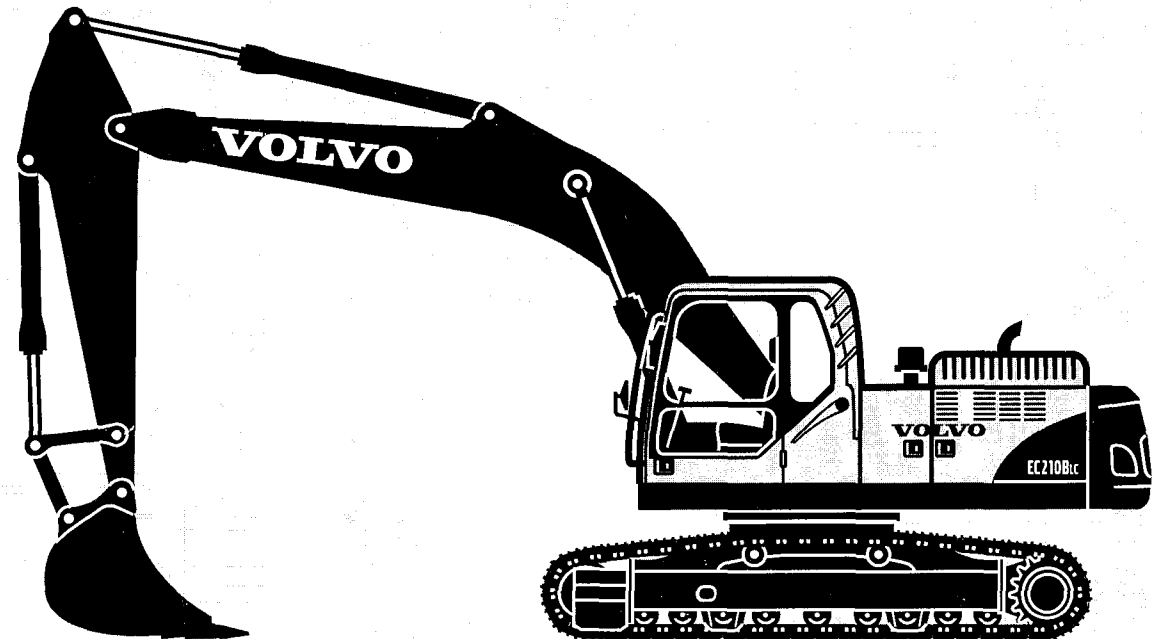


PARTS CATALOG

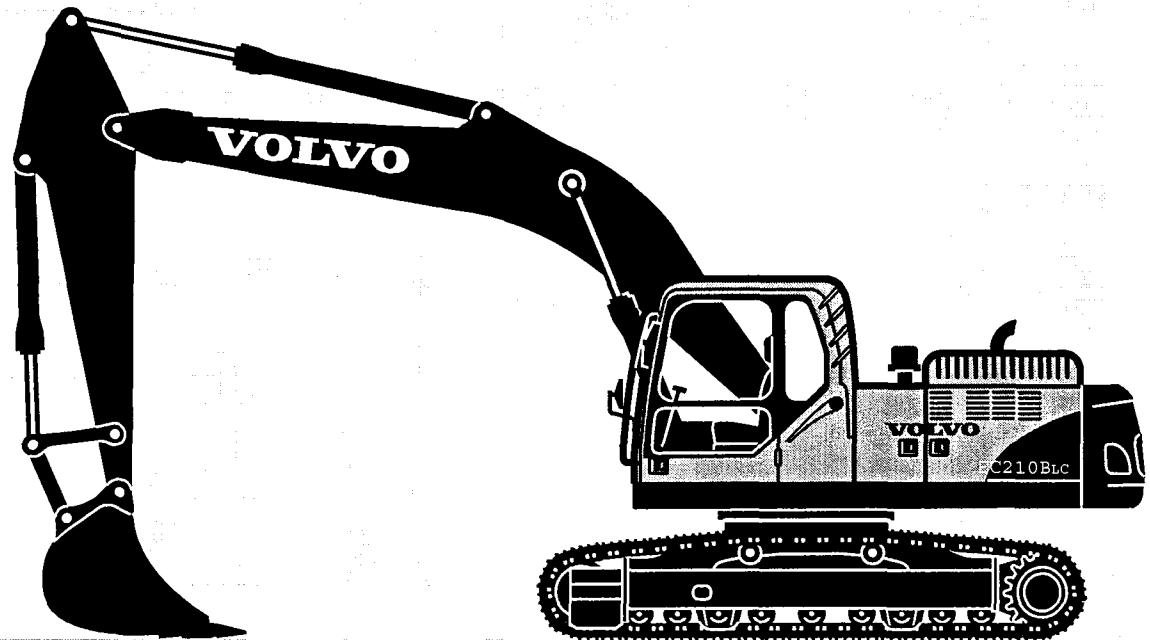
# EC210B



**VOLVO**

**PARTS CATALOG**

# **EC210B**

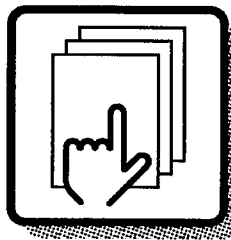


Publ. No. VOE 74 1 435 6141

**VOLVO**

**VOLVO**

**Volvo Construction  
Equipment**

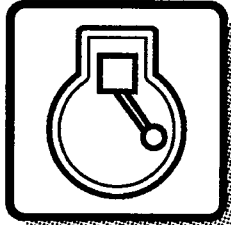
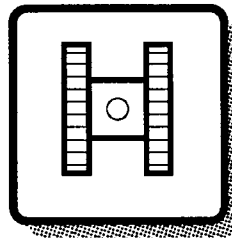


**1**

Preface and instructions  
Préface et instructions  
Vorwort und Anweisungen  
머리말 및 지침  
Prefacio e instrucciones

Frame and crawler unit  
Bâti et unité des chenilles  
Rahmen und Fahrwerk  
프레임 및 언더캐리지  
Bastidor y unidad de orugas

**7**

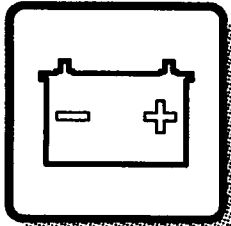
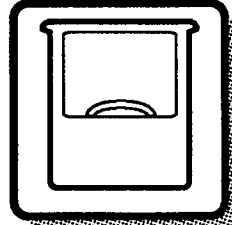


**2**

Engine  
Moteur  
Motor  
엔진  
Motor

Body with associated parts  
Carrosserie avec détails  
Aufbau mit Zubehörteilen  
본체 구성품  
Carroceria con detalles

**8**

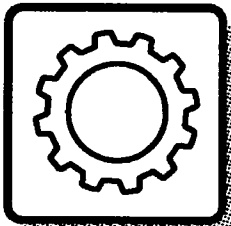
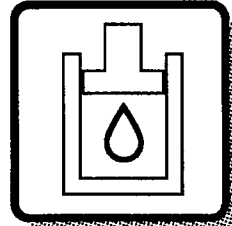


**3**

Electrical systems and instruments  
Système électrique et instruments  
Elektrisches System und Instrumente  
전기장치 및 계기판  
Sistema eléctrico e instrumentos

Miscellaneous equipment  
Equipments divers  
Übrige Ausrüstung  
유압 및 작업장치  
Equipo diverso

**9**

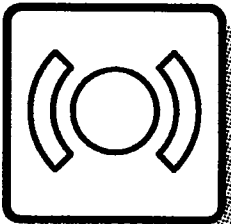
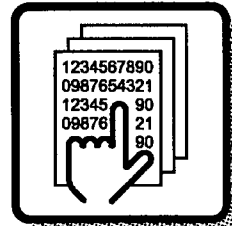


**4**

Power transmission  
Transmission de force  
Kraftübertragung  
트랜스미션  
Transmisión de fuerza

Numerical index  
Répertoire numérique  
Nummernverzeichnis  
부품번호 색인  
Índice numérico

**10**



**5**

Track brake  
Frein de déplacement  
Fahrbremse  
브레이크  
Freno de transporte

**1**

**2**

**3**

**4**

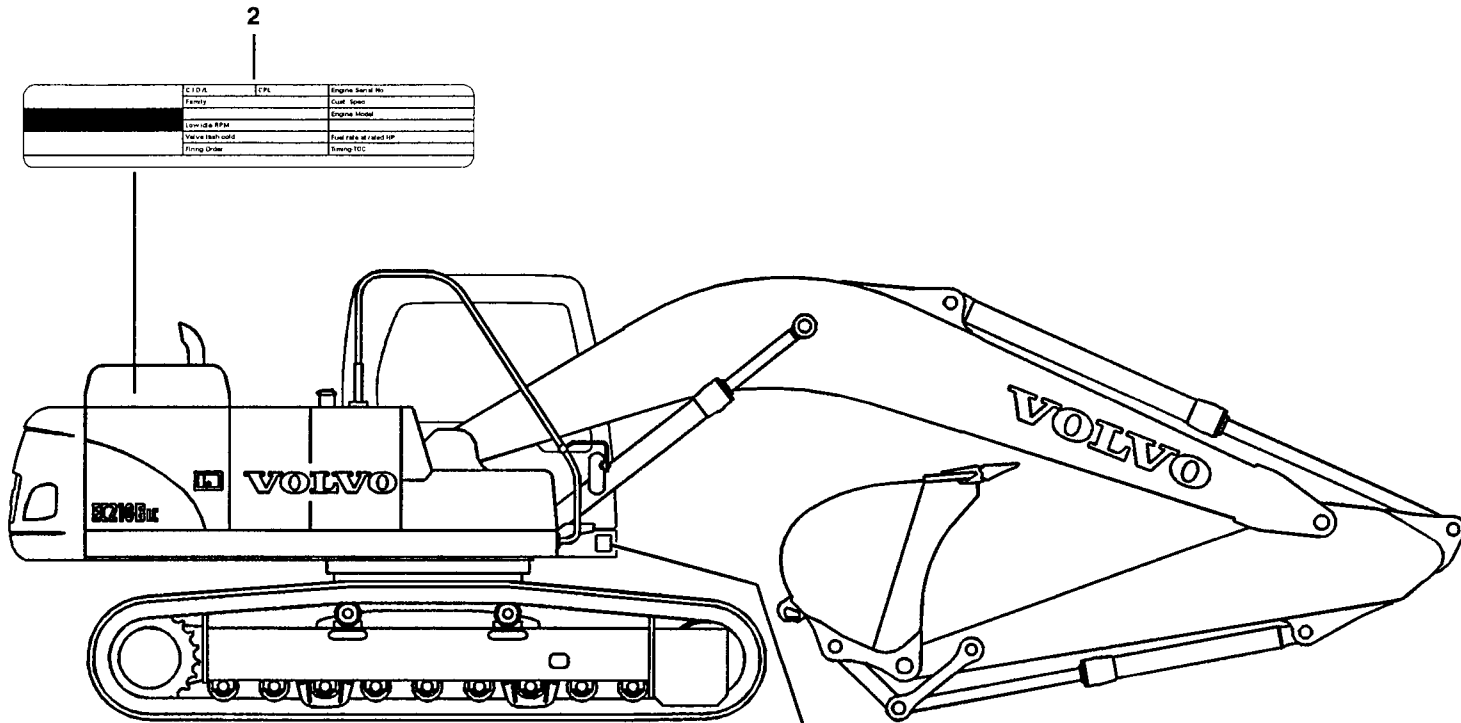
**5**

**7**

**8**

**9**

**10**



1

Volvo Construction Equipment	
Volvo Construction Equipment Korea Ltd. 1, Guehyun-Dong, Changwon-City, Kyungnam, Korea 841430	
Model/Type	<input type="text"/>
Product Identification Number	<input type="text"/>
Machine mass kg	<input type="text"/>
Engine net power kW	<input type="text"/>
Manufacturing year	<input type="text"/>
<b>VOLVO</b>	

Volvo Construction Equipment	
Volvo Construction Equipment Korea Ltd. 1, Guehyun-Dong, Changwon-City, Kyungnam, Korea 841430	
Model/Type	<input type="text"/>
Product Identification Number	<input type="text"/>
<b>MANUFACTURED IN KOREA</b>	
<b>VOLVO</b>	

Volvo Construction Equipment	
Volvo Construction Equipment Korea Ltd. 1, Guehyun-Dong, Changwon-City, Kyungnam, Korea 841430	
Model/Type	<input type="text"/>
Product Identification Number	<input type="text"/>
Machine mass kg	<input type="text"/>
Engine net power kW	<input type="text"/>
Manufacturing year	<input type="text"/>
<b>VOLVO</b>	

GBR	FRA	DEU	KOR	ESP
1 Product Sign Plate	1 Enseigne De Produit	1 Produktschild	1 장비 명판 ( 일련번호 )	1 Muestra Del Producto
2 Engine Sign Plate	2 Enseigne De Moteur	2 Motorschild	2 엔진 명판	2 Muestra De Motor

PRODUCT SIGN PLATE	명판	Catalogue id <b>56141</b>	Group <b>1</b>
ENSEIGNE DE PRODUIT	MUESTRA DEL PRODUCTO	Issue VOE 7414356141	Page <b>5</b>
PRODUKTSCHILD			

<b>FOREWORD</b>		Catalogue id <b>56141</b>	Group <b>1</b>
		Issue <b>VOE 7414356141</b>	Page <b>6</b>
GBR		GBR	

Only genuine parts are presented in this catalogue. These parts have been subjected to the necessary function and endurance tests, and they comply with the high quality and safety requirements that have been set for Volvo Construction Equipment. You should note that warranties do not cover damages that are caused or aggravated by the fact that a non-genuine part was fitted.

The illustrations shown in the catalogues should not be used as assembly or workshop instructions. Separate literature for the various specific subject areas is available for that purpose.

The owner of the machine or equipment should state the model designation, manufacturing number, part number, quantity, and the name, or description, of the part when ordering parts.

For location of the model and engine designation plates, etc, see page 4.

Market-adapted equipment entered in catalogue, can be seen on page 25.

See page 12 for a "Catalogue Guide" on how to use the parts catalogue.

See page 22 for table of abbreviations.

This catalogue has been produced by Volvo Construction Equipment Korea Ltd. Customer Support. If you have any point of views regarding the catalogue, or if you detect any errors in the catalogue, please take a copy of the page in question, indicate the error(s), and send it to us at the following address:

Volvo Construction Equipment Korea Ltd.  
Customer Support  
240 - 1 Dangjung - dong Kunpo - city Telefax: +82 31 428 1814

## EXCAVATOR VOLVO EC210B

**BASIC MACHINE**  
PROD NO 8277784, EC210B

**ENGINE**  
Part No. 14500388, D6D EAE2  
This catalogue lists the spare parts for Excavator EC210B.

**BUCKETS**  
Bucket GP. ESCO. 0,86/0,95 - F24  
Description:  
GP = General purpose. (RB)= Rock bucket.  
ESCO = Type of bucket tooth, Esco.  
0,86 = Volume CECE cubic meter.  
0,95 = Volume SAE cubic meter.  
S1 = Quick fit bucket.  
F24 = Direct-mounted (pin-on) bucket.

**TRACK ASSEMBLY**  
Track TRK 600SR X 49  
Description:  
TRK = Track  
600 = Width of track  
S = Symmetrical track  
R = Clearing hole  
49 = Number of track shoes

Seules les pièces d'origine sont présentées dans les catalogues des pièces de rechange. Toutes ces pièces ont été soumises à des tests de fonctionnement et de longévité pour être conformes aux exigences sévères de qualité et de sécurité posées par Volvo Construction Equipment. Notez que les garanties ne couvrent pas les dégâts et les dommages causés par le montage de pièces autres que des pièces d'origine.

Les illustrations dans le catalogue ne doivent pas être utilisées comme notice de montage ni comme instructions d'atelier. Pour ceci, nous vous renvoyons à la documentation spécifiquement éditée dans ce but.

Pour toute commande de pièces de rechange, indiquez la désignation du modèle, le numéro de fabrication, le numéro de référence, la quantité ainsi que la désignation de la pièce.

Le placement des plaques de désignation de modèle et de moteur etc. ressort de la figure ci-contre 4.

Equipment adapté au marché et indiqué dans la catalogue, prière de voir la liste en page 25.

Guide pour l'utilisation de catalogues de pièces de rechange, voir page 12.

Pour la liste des abréviations employées, prière de voir en page 22.

Ce catalogue est édité par Volvo Construction Equipment Korea Ltd. Customer Support. Si vous avez des commentaires ou si vous découvrez des erreurs dans ce catalogue, nous vous serions reconnaissants de bien vouloir photocopier cette page, de la remplir et de nous la renvoyer.

Volvo Construction Equipment Korea Ltd.  
Customer Support  
240 - 1 Dangjung-dong Kunpo - city Télécopie: +82 31 428 1814

## PELLE HYDRAULIQUE DE TYPE VOLVO EC210B

**MACHINE DE BASE**  
PROD NO 8277784, EC210B

**MOTEUR**  
Numéro d'article 14500388, D6D EAE2  
Ce catalogue comprend des pièces de rechange pour la pelle hydraulique EC210B.

**GODET RÉTRO**  
Godet rétro GP. ESCO. 0,86/0,95- F24  
Description:  
GP = Utilisation général. (RB)= Godet de roche.  
ESCO = Type de porte dent, Esco.  
0,86= Volume CECE en mètre cube.  
0,95= Volume SAE en mètre cube.  
S1 = Type de porte-outil  
F24 = Montage direct (pin-on).

**TRAIN DE CHAÎNE**  
Train de chaîne TRK 600SR X 49  
Description:  
TRK = Train de chaîne  
600 = Largeur des tuiles  
S = Tuiles symétriques  
R = Trou de débouillage  
49 = Nombre de tuiles

AVANT-PROPOS

Catalogue id	Group
<b>56141</b>	<b>1</b>
Issue	Page
<b>VOE 7414356141</b>	<b>7</b>



<b>VORWORT</b>		Catalogue id <b>56141</b>	Group <b>1</b>
		Issue <b>VOE 7414356141</b>	Page <b>8</b>
DEU	DEU		

In den Ersatzteilkatalogen sind nur Originalteile verzeichnet. Diese Teile haben die notwendigen Funktions- und Lebensdauer tests durchlaufen und erfüllen die hohen Qualitäts- und Sicherheitsanforderungen von Volvo Construction Equipment. Beachten Sie bitte, dass die Garantien keine Schäden umfassen, die durch die Montage eines fremden Teils verursacht oder verschlimmert wurden.

Die Abbildungen in dem Katalog dürfen nicht als Montageanweisungen oder Werkstatthanleitungen verwendet werden. Wir verweisen statt dessen auf die separate Literatur für diesen Zweck.

Der Maschinenbesitzer muss bei der Bestellung von Ersatzteilen die Modellbezeichnung, Fabriknummer, Artikelnummer sowie Anzahl und Bezeichnung des Teils angeben.

Die Anbringung der Schilder für Modell- und Motorbezeichnung usw. geht aus dem Bild auf Seite 4 hervor.

Für den Markt angepasste Ausrüstung wurde in den Katalog aufgenommen, Seite 25.

Die Anweisung auf Seite 12 hilft Ihnen sich im Ersatzteilkatalog zurechtzufinden.

Abkürzungsverzeichnis, siehe Seite 22.

Volvo Construction Equipment Korea Ltd.  
Customer Support  
240 - 1 Dangjung - dong Kunpo - city Telefax: +82 31 428 1814

## RAUPENBAGGER VOLVO EC210B

### GRUNDMASCHINE

PROD NO 8277784, EC210B

### MOTOR

Bestellnummer 14500388, D6D EAE2

Dieser Katalog enthält ein Ersatzteilverzeichnis für Raupenbagger EC210B.

### LÖFFEL

Tieflöffel GP. ESCO. 0,86/0,95- F24

Beschreibung:

GP = Allgemeines gebraucht. (RB)= Felslöffel.

ESCO = Aufsteckzahn, Esco.

0,86= Inhalt in CECE Kubikmeter.

0,95= Inhalt in SAE Kubikmeter.

S1 = Für Schnellwechsler

F24 = Direktmontierte (pin-on) löffel.

### KETTENBAND

Kettenband TRK 600SR X 49

Beschreibung:

TRK = Kettenband

600 = Bodenplattenbreite

S = Symmetrische Bodenplatten

R = Reinigungsloch

49 = Anzahl Platten

이 부품카탈로그에 수록된 부품은 순정 부품으로서 성능검사 및 내구성 시험을 거쳤고 또한 당사의 건설기계 안전 및 고품질 검사 규정에 합격한 부품입니다. 비순정 부품을 장착하여 발생하는 모든 고장 및 성능 저하에 대한 문제를 당사에서는 보증하지 않습니다.

이 부품카탈로그에 사용한 입체 그림은 조립용이나 정비 목적으로 사용할 수 없으며 각 쪽에 설명된 내용은 그 입체 그림에 관한 정보로 활용할 수 있습니다.

장비의 소유자가 부품을 주문할 때는 모델명, 장비 일련번호, 부품 번호, 필요 수량 및 부품 명칭을 알려 주어야 합니다.

모델명, 장비 일련번호 및 엔진 일련번호가 각인된 위치에 대해서는 4 쪽을 참고 하십시오.

부품카탈로그에 소개되어 있는 판매사양은 25 쪽을 참고 하십시오.

부품카탈로그를 보는 방법은 12 쪽을 참고 하십시오.

부품 명칭 약어에 대해서는 22 쪽 약어 일람표를 참고 하십시오.

이 부품카탈로그는 볼보건설기계코리아(주) 서비스엔지니어링팀에서 제작 하였으며, 부품카탈로그와 관련하여 어떤 오류를 발견 하시면, 해당 페이지를 복사하고 오류를 표시하여 아래 주소로 보내 주시기 바랍니다.

볼보건설기계코리아(주)  
서비스엔지니어링팀  
경기도 군포시 당정동 240-1 (우편번호 435-030)  
FAX : 031 428 1814

볼보굴삭기 EC210B

장비본체 (BASIC MACHINE)  
제조 번호 : 8277784 , EC210B

엔진 (ENGINE)  
부품 번호 : 14500388, D6D EAE2  
이 부품 카탈로그는 EC210B 의 서비스 부품목록을 수록하고 있습니다.

버킷 (BUCKET)  
버킷 GP,ESCO,BKT 0,86/0,95- F24  
내용 :  
BKT = 버킷  
S1 = 퀴핏 장착 버킷, 형식  
F24 = 직접 결합식 버킷  
0,86m³ = 용량 (CECE)  
0,95m³ = 용량 (SAE)  
GP = 버킷용도, (GP) 일반 작업용, (RB) 양반용  
ESCO = 버킷 투스 형식

트랙 (TRACK ASSEMBLY)  
트랙 TRK 600SRx49  
내용 :  
TRK = 트랙  
600 = 트랙 폭  
S = 대칭형 슈  
R = 구멍이 있는 슈 타입  
49 = 트랙슈 수량

머리말

Catalogue id <b>56141</b>	Group <b>1</b>
Issue <b>VOE 7414356141</b>	Page <b>9</b>

<b>PROLOGO</b>		Catalogue id <b>56141</b>	Group <b>1</b>
		Issue <b>VOE 7414356141</b>	Page <b>10</b>
ESP	ESP		

En los catálogos de repuestos se presentan únicamente piezas originales que han sido sometidas a las necesarias pruebas de funcionamiento y duración y que cumplen las elevadas exigencias de seguridad y calidad de Volvo Construction Equipment. Recuerde que las garantías no cubren los daños ocasionados o agravados por no haber montado una pieza original.

Las ilustraciones del catálogo no deben utilizarse como base para el montaje ni como instrucciones de taller. Para ello recomendamos utilizar los manuales de taller editados a propósito.

Al hacer el pedido de repuestos, el propietario de la máquina debe indicar el modelo de la misma, su número de fabricación, la referencia de la pieza, la cantidad y la denominación.

La ubicación de letreros con las denominaciones de modelo y motor etc., puede verse en la página 4.

La lista de equipos de adaptación según mercado, introducidos en el catálogo, puede verse en la página 25.

La guía para el uso del catálogo, puede verse en la página 12.

La tabla de abreviaturas puede verse en la página 22.

Este catálogo ha sido editado por Volvo Construction Equipment Korea Ltd. Customer Support.

Si tiene algún comentario que hacer sobre el catálogo, o detecta algún error, le rogamos que haga una copia de la página en cuestión y nos la remita junto con sus comentarios a:

Volvo Construction Equipment Korea Ltd.  
Customer Support  
240 - 1 Dangjung-dong Kunpo - city   Telefax: +82 31 428 1814

## EXCAVADORA VOLVO EC210B

**MÁQUINA BÁSICA**  
PROD NO 8277784, EC210B

**MOTOR**  
Referencia 14500388, D6D EAE2  
Este catálogo contiene las piezas de repuesto para excavadora hidráulica EC210B.

**CAZOS**  
Cazo de retro GP. ESCO. 0,86/0,95- F24  
Descripción:  
GP = Empleo general. (RB)= Cazo de roca  
ESCO = Tipo de diente, Esco.  
0,86 = Volumen en metro cúbico CECE.  
0,95= Volumen en metro cúbico SAE.  
S1 = Cazos de acoplamiento rápido  
F24 = Fijación directa.

**ORUGAS**  
Orugas TRK 600SR X 49  
Descripción:  
TRK = Orugas  
600 = Ancho de placa de orugas  
S = Placa de orugas simétrica  
R = Agujero de limpieza  
49 = Número de placas de oruga

**VOLVO**

**Volvo Construction  
Equipment**

Fig.	Part No.	Quantity			P	K	S	T	Description	Dénomination	Bezeichnung	품명	Denominación	Notes
		1	2	3										
	SA 1146-00030	1						Bucket Cylinder.....	Verin Godet.....	Löffelzylinder .....	버킷 실린더 .....	Cilind Cuchara.....	STD See group 924, page 625	
1		1			NS			•Tube .....	•Tuyau.....	•Rohr .....	튜브 .....	•Tubo.....		
2	SA 9624-11617	2						•Bushing.....	•Bague .....	•Buchse.....	부싱 .....	•Casquillo.....		
3	SA 9481-10003	2						•Nipple .....	•Raccord .....	•Nippel .....	니플 .....	•Niple.....		
4	SA 9561-08010	4						•Seal .....	•Joint .....	•Dichtung.....	시일 .....	•Reten.....		
5	SA 14501183	1						•Rod .....	•Tige piston.....	•Kolbenstange .....	로드 .....	•Varilla piston.....	(1146-00530)	
6	SA 9568-01200	2			K			•Seal .....	•Joint .....	•Dichtung.....	시일 .....	•Reten.....		
7	SA 9023-10802	1						•Set Screw .....	•Vis Butee .....	•Anschlagschraub.....	세트스크류 .....	•Tomillo Tope.....		
8	SA 1146-06870	1						•Pad .....	•Patin.....	•Belag .....	패드 .....	•Pastilla.....		
9	SA 1146-00610	1						•Head .....	•Tete.....	•Kopf .....	헤드 .....	•Capo.....		
10	SA 9612-08040	1			K			•Bushing.....	•Bague .....	•Buchse.....	부싱 .....	•Casquillo.....		
11	SA 9557-07000	1						•Ring .....	•Anneau .....	•Ring .....	링 .....	•Anillo.....	87,6 x 15	
12	SA 9556-08000	1						•Ring .....	•Anneau .....	•Ring .....	링 .....	•Anillo.....		
13	SA 1146-00220	1						•Cushion .....	•Coussin.....	•Sitzkissen .....	쿠션 .....	•Cojin.....		
14	SA 1146-00620	1						•Piston.....	•Piston.....	•Kolben .....	피스톤 .....	•Piston.....		
15	SA 9216-06520	1						•Washer .....	•Rondelle.....	•Scheibe .....	와셔 .....	•Arandela.....	66 x 95	
16	SA 1146-06880	1						•Lock Nut .....	•Contre-ecrou.....	•Sicher Mutter .....	로크너트 .....	•Contratuerca.....		
17	SA 9016-21612	12						•Bolt .....	•Boulon.....	•Bolzen .....	볼트 .....	•Perno.....	M16 x 60	
18	SA 9564-20800	1			K			•Seal .....	•Joint .....	•Dichtung.....	시일 .....	•Reten.....		
19	SA 9567-20801	1			K			•Ring .....	•Anneau .....	•Ring .....	링 .....	•Anillo.....		
20	SA 9563-20801	1			K			•Seal .....	•Joint .....	•Dichtung.....	시일 .....	•Reten.....		
21	SA 1146-07960	1			K			•Seal .....	•Joint .....	•Dichtung.....	시일 .....	•Reten.....		
22	SA 9566-31100	1			K			•Ring .....	•Anneau .....	•Ring .....	링 .....	•Anillo.....		
23	SA 9566-11100	1			K			•Ring .....	•Anneau .....	•Ring .....	링 .....	•Anillo.....		
100	SA 8148-10071	1						Sealing kit .....	Jeu joints.....	Dichtungssatz.....	시일 .....	Juego retenes.....	1)	

1) GB: Replacement version FR: Version pièce de rechange. DE: Ersatzteil-ausführung. KR: 신규발행판으로 교환 ES: Version piezas de repuesto.

1	DD17G001	Cilindro de cazo	Catalogue id	56001	Group	975
2		버킷 실린더	Illustr. No	SA296	Section	1000
3		Schaufelzylinder	Issue	VOE 74C995601	Page	655
4		Vérin de godet				
5		Bucket cylinder				
		STD				

**VOLVO**



In addition to part numbers, the Parts Catalogue also includes a vast amount of essential information which you, the operator, should be acquainted with.

With the "Catalogue Guide", we want to show clearly how the catalogues are arranged and what sort of information is presented therein.

### Group 1 Preface and Instructions

Here you can find the following information:

- Title page and publication number
- Revisions which have been introduced, and all established issues
- Group index
- Product signs
- Preface
- List of items of equipment adapted to market requirements that have been introduced
- Catalogue Guide
- Table of abbreviations

### Group 2 - 9 Text and illustration pages

- The table of contents shows the division of the main groups into sub-groups, with reference to page number and section.
- Illustration page. The position number of the illustration refers to the text page.
- Text page
  1. Heading.
  2. Additional text which limits the validity of the section. An example is information relating to manufacturing numbers and equipment adapted to market requirements.
  3. Designation for quantity columns.
  4. Illustrations.
  5. Group, section, page, which you should use when you search for information in the catalogue.
  6. Catalogue identification and issue designation.
  7. Position number of the part on the associated drawing.
  8. Part number
  9. Quantity. The column designation indicates the version which is shown in each column. The quantity stated refers to the quantity for each machine or, where appropriate, for each complete unit.  
"REQ" refers to the required amount. See also "Notes" column.

10. PS (Parts Status) indicates the status code of the part.

"NS" means that the part is not kept in stock.

"SS" means that the part has been replaced.

Refer to Group 10 Replaced parts for further information.

11. KIT. Parts that are marked with a "K" are included in a kit. The number of the kit is often indicated after other part numbers.
12. Description. The indentations indicate if one or more parts are included in the assembled unit described above. The parts are included when a complete unit is ordered.
13. Notes. Other information relating to a particular part is given here.
  - Footnote number (3001 for example) is given at the bottom of the page.
  - Replaced parts (1146-00530, for example).
  - Product or manufacturing number.
  - Abbreviations and technical information.
  - Reference to page and group.

### Group 10 Replaced parts / Number index

- Replaced parts. The part numbers of parts marked with "SS" (in the PS column) are indicated here, together with their replacement numbers.  
The replacement parts may in turn be also replaced, and so on.
- Number index. All parts included in the catalogue are indicated here, together with a reference to group, section and page.

Continued improvements and successes in design could result in modifications to your equipment which are not covered by this publication. Each publication is revised when required to include these modifications in later issues. For additional information, you should contact Volvo Construction Equipment Korea, Customer Support, Business Planning Department.

*Any unauthorized reproduction of any part of this document would be in violation of Volvo Construction Equipment Korea, Customer Support's rights and will be prosecuted to the fullest extent allowed by law. We reserve the right to make changes without prior notice.*  
Volvo Construction Equipment Korea, Customer Support

## PARTS CATALOGUE INSTRUCTIONS

Catalogue id <b>56141</b>	Group <b>1</b>
Issue <b>VOE 7414356141</b>	Page <b>13</b>

Fig.	Part No.	Quantity			P S	K I T	Description	Dénomination	Bezeichnung	품명	Denominación	Notes
		1	2	3								
	SA 1146-00030	1				Bucket Cylinder.....	Verin Godet.....	Löffelzylinder.....	버킷 실린더.....	Cilind Cuchara.....	STD	
											See group 924, page 625	
1		1			NS	•Tube .....	•Tuyau.....	•Rohr .....	튜브 .....	•Tuba.....		
2	SA 9624-11617	2				•Bushing.....	•Bague .....	•Buchse .....	부싱 .....	•Casquillo.....		
3	SA 9481-10003	2				•Nipple .....	•Raccord .....	•Nippel .....	니플 .....	•Niple.....		
4	SA 9561-08010	4				•Seal .....	•Joint .....	•Dichtung .....	시일 .....	•Reten.....		
5	SA 14501183	1				•Rod .....	•Tige piston .....	•Kolbenstange .....	로드 .....	•Varilla piston.....	(1146-00530)	
6	SA 9568-01200	2			K	•Seal .....	•Joint .....	•Dichtung .....	시일 .....	•Reten.....		
7	SA 9023-10802	1				•Set Screw .....	•Vis Butee .....	•Anschlagschraub.....	세트 스크류 .....	•Tomillo Tope.....		
8	SA 1146-06870	1				•Pad .....	•Patin.....	•Belag .....	패드 .....	•Pastilla.....		
9	SA 1146-00610	1				•Head .....	•Tete.....	•Kopf .....	헤드 .....	•Capo.....		
10	SA 9612-08040	1			K	•Bushing.....	•Bague .....	•Buchse .....	부싱 .....	•Casquillo.....		
11	SA 9557-07000	1				•Ring .....	•Anneau .....	•Ring .....	링 .....	•Anillo.....	87,6 x 15	
12	SA 9556-08000	1				•Ring .....	•Anneau .....	•Ring .....	링 .....	•Anillo.....		
13	SA 1146-00220	1				•Cushion .....	•Coussin.....	•Sitzkissen .....	쿠션 .....	•Cojin.....		
14	SA 1146-00620	1				•Piston.....	•Piston.....	•Kolben .....	피스톤 .....	•Piston.....		
15	SA 9216-06520	1				•Washer .....	•Rondelle.....	•Scheibe .....	와셔 .....	•Arandela.....	66 x 95	
16	SA 1146-06880	1				•Lock Nut .....	•Contre-ecrou.....	•Sicher Mutter .....	로크너트 .....	•Contratuercas.....		
17	SA 9016-21612	12				•Bolt .....	•Boulon.....	•Bolzen .....	볼트 .....	•Perno.....	M16 x 60	
18	SA 9564-20800	1			K	•Seal .....	•Joint .....	•Dichtung .....	시일 .....	•Reten.....		
19	SA 9567-20801	1			K	•Ring .....	•Anneau .....	•Ring .....	링 .....	•Anillo.....		
20	SA 9563-20801	1			K	•Seal .....	•Joint .....	•Dichtung .....	시일 .....	•Reten.....		
21	SA 1146-07960	1			K	•Seal .....	•Joint .....	•Dichtung .....	시일 .....	•Reten.....		
22	SA 9566-31100	1			K	•Ring .....	•Anneau .....	•Ring .....	링 .....	•Anillo.....		
23	SA 9566-11100	1			K	•Ring .....	•Anneau .....	•Ring .....	링 .....	•Anillo.....		
100	SA 8148-10071	1				Sealing kit .....	Jeu joints.....	Dichtungssatz .....	시일 .....	Juego retenes.....	1)	

1) GB: Replacement version FR: Version pièce de rechange. DE: Ersatzteil-ausführung. KR: 신규발행판으로 교환 ES: Version piezas de repuesto.

1	DD17G001	Cilindro de cazo	Catalogue id	56001	Group	975
2		버킷 실린더	Illustr. No	SA296	Section	1000
3		Schaufelzylinder	Issue	VOE 74C995601	Page	655
4		Vérin de godet				
5		Bucket cylinder				
		STD				

**VOLVO**



Le catalogue de pièces de rechange présente, non seulement les numéros de référence, mais également d'autres informations qu'il est important de connaître. Ce guide de catalogue vous indique, d'une façon générale, comment sont conçus nos catalogues et quelles informations ils vous apportent.

### Groupe 1 Avant-propos et instructions

Sous ce groupe, vous trouvez:

- La page de titre avec le numéro de publication
- Les modifications introduites avec toutes les éditions mises à jour
- Le registre des groupes
- Le plaques de produit
- Un avant-propos
- Une liste des équipements introduits suivant les pays
- Un guide de catalogue
- Un tableau des abréviations

### Groupes 2 - 9 Pages de texte et d'illustration

- Le sommaire indique la division des groupes principaux en sous-groupes avec des renvois aux pages et aux sections.
- La page d'illustration. L'illustration donne les numéros de position qui renvoient à la page de texte.
- La page de texte
  1. Rubrique
  2. Texte supplémentaire qui limite la validité de la rubrique, par exemple numéro de série et équipements adaptés aux pays
  3. Désignation des modèles pour les différentes colonnes
  4. N° d'illustration
  5. Groupe, section, page, utilisés pour la recherche dans le catalogue
  6. Identification du catalogue et de l'édition
  7. Numéro de position de la pièce sur l'illustration afférente
  8. Numéro de référence
  9. Quantité. La désignation des colonnes indique le modèle qui se réfère à chaque colonne. La quantité indiquée correspond à la quantité par engin ou, suivant les cas, par unité complète. "REQ" signifie quantité nécessaire, voir la colonne Notes
  10. PS (Parts Status) indique le code d'état de la pièce.
    - "NS" signifie que la pièce n'existe pas en magasin.
    - "SS" signifie que la pièce a été remplacée.
 Voir le groupe 10, pièces remplacées pour de plus amples informations.

11. KIT. Les pièces marquées "K" font partie d'un kit. Le numéro du kit est le plus souvent indiqué après les autres numéros de référence.
12. Désignation. Le décalage indique si une ou plusieurs pièces font partie de l'unité complète indiquée au-dessus. Ces pièces sont envoyées pour une commande d'une unité complète.
13. Notes (Remarques). Diverses informations pour une pièce:
  - Numéro de renvoi. Par exemple 3001) indication en bas de page.
  - Pièces remplacées. Par exemple (1146-00530).
  - Numéro de produit ou numéro de fabrication.
  - Abréviations et explications techniques.
  - Renvoi aux pages et aux groupes.

### Groupe 10 Pièces remplacées/Registre des numéros

- Pièces remplacées. Les numéros de référence marquées "SS" (dans la colonne PS) sont repris ici avec leur numéro de remplacement. Ces pièces remplacées peuvent, à leur tour, être remplacées par d'autres, etc.
- Registre des numéros. Tous les numéros de référence du catalogue se retrouvent ici avec un renvoi au groupe, à la section et à la page.

Les perfectionnements continus et les progrès réalisés au point de vue construction peuvent entraîner, sur votre engin, des modifications qui ne sont pas prises en compte dans cette publication. Chaque publication est remise à jour suivant les besoins pour inclure toutes ces modifications dans les dernières édition. Pour de plus amples renseignements, prenez contact avec la division Catalogue de Volvo Construction Equipment Korea Customer Support, Business Planning Department.

*La reproduction non autorisée de toute partie de ce document constitue une violation des droits d'auteur de Volvo Construction Equipment Korea, Customer Support, Business Planning Department et entraînera une poursuite légale aux termes de la loi. Nous nous réservons le droit d'apporter des modifications sans préavis.*  
Volvo Construction Equipment Korea Customer Support

## CATALOGUE DE PIECES INSTRUCTIONS

Catalogue id	Group
<b>56141</b>	<b>1</b>
Issue	Page
<b>VOE 7414356141</b>	<b>15</b>



Fig.	Part No.	Quantity			P S	K I T	Description	Dénomination	Bezeichnung	품명	Denominación	Notes
		1	2	3								
	SA 1146-00030	1				Bucket Cylinder.....	Verin Godet.....	Löffelzylinder .....	버킷 실린더 .....	Cilind Cuchara.....	STD See group 924, page 625	
1		1			NS	•Tube .....	•Tuyau .....	•Rohr .....	튜브 .....	•Tubo.....		
2	SA 9624-11617	2				•Bushing.....	•Bague .....	•Buchse .....	부싱 .....	•Casquillo.....		
3	SA 9481-10003	2				•Nipple .....	•Raccord .....	•Nippel .....	니플 .....	•Niple .....		
4	SA 9561-08010	4				•Seal .....	•Joint .....	•Dichtung .....	시일 .....	•Reten.....		
5	SA 14501183	1				•Rod .....	•Tige piston .....	•Kolbenstange .....	로드 .....	•Varilla piston.....	(1146-00530)	
6	SA 9568-01200	2			K	•Seal .....	•Joint .....	•Dichtung .....	시일 .....	•Reten.....		
7	SA 9023-10802	1				•Set Screw .....	•Vis Butee .....	•Anschlagschraub.....	세트스크류 .....	•Tornillo Tope.....		
8	SA 1146-06870	1				•Pad .....	•Patin .....	•Belag .....	패드 .....	•Pastilla.....		
9	SA 1146-00610	1				•Head .....	•Tete .....	•Kopf .....	헤드 .....	•Capo.....		
10	SA 9612-08040	1			K	•Bushing.....	•Bague .....	•Buchse .....	부싱 .....	•Casquillo.....		
11	SA 9557-07000	1				•Ring .....	•Anneau .....	•Ring .....	링 .....	•Anillo.....	87,6 x 15	
12	SA 9556-08000	1				•Ring .....	•Anneau .....	•Ring .....	링 .....	•Anillo.....		
13	SA 1146-00220	1				•Cushion .....	•Coussin.....	•Sitzkissen .....	쿠션 .....	•Cojin.....		
14	SA 1146-00620	1				•Piston.....	•Piston .....	•Kolben .....	피스톤 .....	•Piston.....		
15	SA 9216-06520	1				•Washer .....	•Rondelle.....	•Scheibe .....	와셔 .....	•Arandela.....	66 x 95	
16	SA 1146-06880	1				•Lock Nut .....	•Contre-ecrou.....	•Sicher Mutter .....	로크너트 .....	•Contratuercas.....		
17	SA 9016-21612	12				•Bolt .....	•Boulon.....	•Bolzen .....	볼트 .....	•Perno.....	M16 x 60	
18	SA 9564-20800	1			K	•Seal .....	•Joint .....	•Dichtung .....	시일 .....	•Reten.....		
19	SA 9567-20801	1			K	•Ring .....	•Anneau .....	•Ring .....	링 .....	•Anillo.....		
20	SA 9563-20801	1			K	•Seal .....	•Joint .....	•Dichtung .....	시일 .....	•Reten.....		
21	SA 1146-07960	1			K	•Seal .....	•Joint .....	•Dichtung .....	시일 .....	•Reten.....		
22	SA 9566-31100	1			K	•Ring .....	•Anneau .....	•Ring .....	링 .....	•Anillo.....		
23	SA 9566-11100	1			K	•Ring .....	•Anneau .....	•Ring .....	링 .....	•Anillo.....		
100	SA 8148-10071	1				Sealing kit .....	Jeu joints.....	Dichtungssatz .....	시일 .....	Juego retenes.....	1)	

1) GB: Replacement version FR: Version pièce de rechange. DE: Ersatzteil-ausführung. KR: 신규발행판으로 교환 ES: Version piezas de repuesto.

1	DD17G001	Cilindro de cazo	Catalogue id	56001	Group	975
2		버킷 실린더	Illustr. No	SA296	Section	1000
3		Schaufelzylinder	Issue	VOE 74C995601	Page	655
4		Vérin de godet				
5		Bucket cylinder				
		STD				

**VOLVO**



Im Ersatzteilkatalog sind außer den Artikelnummern auch eine Reihe von Informationen aufgeführt, die man unbedingt kennen sollte. Mit der Kataloganweisung wollen wir auf eine überschaubare Art und Weise zeigen, wie unsere Kataloge aufgebaut und welche Informationen hier enthalten sind.

### Gruppe 1 Vorwort und Anweisungen

Hier findet man folgendes:

- Titelseite mit Publikationsnummer
- Eingeführte Änderungen mit sämtlichen eingearbeiteten Ausgaben
- Gruppenregister
- Produktschilder
- Vorwort
- Verzeichnis über eingeführte marktangepasste Ausrüstungen
- Kataloganweisung
- Abkürzungstabelle

### Gruppe 2 - 9 Text- und Bildseiten

- Das Inhaltsverzeichnis zeigt die Einteilung der Hauptgruppe in Untergruppen mit Hinweis auf Seite und Abschnitt.
- Bildseite. Die Positionsnummer der Abbildung weist auf die Textseite hin.
- Textseite.
  1. Überschrift
  2. Zusatztext, der die Gültigkeit des Abschnitts begrenzt, z.B. Information über Herstellungsnummer und marktangepasste Ausrüstungen.
  3. Bezeichnung für die Anzahl-Spalten
  4. Abbildungsnummer
  5. Gruppe, Abschnitt, Seite, die bei der Suche im Katalog verwendet werden.
  6. Kataloganweisung und Ausgabebezeichnung
  7. Positionsnummer des Artikels mit dazugehöriger Abbildung.
  8. Artikelnummer
  9. Anzahl. Die Spaltenbezeichnung zeigt, welche Ausführung per Spalte aufgeführt ist. Die angegebene Anzahl betrifft Anzahl pro Maschine oder ggf. pro komplette Einheit. "REQ" bezeichnet die erforderliche Menge, siehe Anmerkungsspalte.
  10. PS (Parts Status) zeigt den Statuscode des Artikels.
    - "NS" bedeutet, daß der Artikel nicht mehr auf Lager gehalten wird.
    - "SS" bedeutet, daß der Artikel ersetzt wurde.
 Siehe Gruppe 10, Ersetzte Artikel, für weitere Information.

11. KIT. Artikel, die mit einem "K" gekennzeichnet sind, gehören zu einem Satz. Die Nummer des Satzes wird in den meisten Fällen nach den übrigen Artikelnummern angegeben.
12. Bezeichnung. Die Stufenverschiebung zeigt, daß ein oder mehrere Artikel in einer oben aufgeführten zusammengesetzten Einheit enthalten sind. Die Artikel folgen bei der Bestellung der kompletten Einheit mit.
13. Notes (Anmerkung). Hier werden übrige Informationen für einen Artikel aufgeführt:
  - Fußnotennummer, Beispiel (3001), wird ganz unten auf der Seite angegeben.
  - Ersetzte Artikel, Beispiel (1146-00530)
  - Produkt- oder Herstellungsnummer
  - Abkürzungen oder technische Informationen
  - Seiten- und Gruppenhinweis

### Gruppe 10 Ersetzte Artikel / Nummernregister

- Ersetzte Artikel. Hier sind die mit "SS" markierten (in der PS-Spalte) Artikelnummern mit ihrem Ersatz aufgeführt. Die ersetzten Artikel können wiederum ersetzt worden sein.
- Nummernregister. Hier sind alle im Katalog vorkommenden Artikel aufgeführt, und zwar mit Hinweis auf Gruppe, Abschnitt, Seite.

Fortlaufende Verbesserungen und Fortschritte in der Konstruktion können auch bei Ihrer Maschine zu Änderungen führen, die nicht von dieser Schrift umfaßt werden. Jede Ausgabe wird bei Bedarf überarbeitet, um diese Veränderungen bei späteren Ausgaben mit zu berücksichtigen. Weitere Informationen erhalten Sie von Volvo Construction Equipment Korea Customer Support, Business Planning Department.

*Jegliche Reproduktion dieses Dokumentes in Auszügen oder in vollem Umfang stellt eine Verletzung der Rechte von Volvo Construction Equipment Korea Customer Support, Business Planning Department dar und wird unter voller Ausschöpfung der gesetzlichen Möglichkeiten strafrechtlich verfolgt. Wir behalten uns das Recht auf Änderungen ohne vorherige Ankündigung vor.*

Volvo Construction Equipment Korea Customer Support

ERSATZTEILEKATALOGBESTELLANWEISUNGEN

Catalogue id	Group
<b>56141</b>	<b>1</b>
Issue	Page
<b>VOE 7414356141</b>	<b>17</b>

Fig.	Part No.	Quantity			P S	K T	Description	Dénomination	Bezeichnung	품명	Denominación	Notes
		1	2	3								
	SA 1146-00030	1				Bucket Cylinder.....	Verin Godet.....	Löffelzylinder .....	버킷 실린더 .....	Cilind Cuchara.....	STD See group 924, page 625	
1		1			NS	•Tube .....	•Tuyau.....	•Rohr .....	튜브 .....	•Tubo.....		
2	SA 9624-11617	2				•Bushing.....	•Bague .....	•Buchse .....	부싱 .....	•Casquillo.....		
3	SA 9481-10003	2				•Nipple .....	•Raccord .....	•Nippel .....	니플 .....	•Niple.....		
4	SA 9561-08010	4				•Seal .....	•Joint .....	•Dichtung .....	시일 .....	•Reten.....		
5	SA 14501183	1				•Rod .....	•Tige piston .....	•Kolbenstange .....	로드 .....	•Varilla piston.....	(1146-00530)	
6	SA 9568-01200	2			K	•Seal .....	•Joint .....	•Dichtung .....	시일 .....	•Reten.....		
7	SA 9023-10802	1				•Set Screw .....	•Vis Butee .....	•Anschlagschraub .....	세트스크류 .....	•Tomillo Tope.....		
8	SA 1146-06870	1				•Pad .....	•Patin.....	•Belag .....	패드 .....	•Pastilla.....		
9	SA 1146-00610	1				•Head .....	•Tete.....	•Kopf .....	헤드 .....	•Capo.....		
10	SA 9612-08040	1			K	•Bushing.....	•Bague .....	•Buchse .....	부싱 .....	•Casquillo.....		
11	SA 9557-07000	1				•Ring .....	•Anneau .....	•Ring .....	링 .....	•Anillo.....	87,6 x 15	
12	SA 9556-08000	1				•Ring .....	•Anneau .....	•Ring .....	링 .....	•Anillo.....		
13	SA 1146-00220	1				•Cushion .....	•Coussin.....	•Sitzkissen .....	쿠션 .....	•Cojin.....		
14	SA 1146-00620	1				•Piston.....	•Piston.....	•Kolben .....	피스톤 .....	•Piston.....		
15	SA 9216-06520	1				•Washer .....	•Rondelle.....	•Scheibe .....	와셔 .....	•Arandela.....	66 x 95	
16	SA 1146-06880	1				•Lock Nut .....	•Contre-ecrou.....	•Sicher Mutter .....	로크너트 .....	•Contratuerca.....		
17	SA 9016-21612	12				•Bolt .....	•Boulon.....	•Bolzen .....	볼트 .....	•Perno.....	M16 x 60	
18	SA 9564-20800	1			K	•Seal .....	•Joint .....	•Dichtung .....	시일 .....	•Reten.....		
19	SA 9567-20801	1			K	•Ring .....	•Anneau .....	•Ring .....	링 .....	•Anillo.....		
20	SA 9563-20801	1			K	•Seal .....	•Joint .....	•Dichtung .....	시일 .....	•Reten.....		
21	SA 1146-07960	1			K	•Seal .....	•Joint .....	•Dichtung .....	시일 .....	•Reten.....		
22	SA 9566-31100	1			K	•Ring .....	•Anneau .....	•Ring .....	링 .....	•Anillo.....		
23	SA 9566-11100	1			K	•Ring .....	•Anneau .....	•Ring .....	링 .....	•Anillo.....		
100	SA 8148-10071	1				Sealing kit .....	Jeu joints.....	Dichtungssatz .....	시일 .....	Juego retenes.....	1)	

1) GB: Replacement version FR: Version pièce de rechange. DE: Ersatzteil-ausführung. KR: 신규발행판으로 교환 ES: Version piezas de repuesto.

1	DD17G001	Cilindro de cazo	Catalogue id	56001	Group	975
2		버킷 실린더	Illustr. No	SA296	Section	1000
3		Schaufelzylinder	Issue	VOE 74C995601	Page	655
4		Vérin de godet				
5		Bucket cylinder				
5		STD				

**VOLVO**



부품 카탈로그 보는 법 (PARTS CATALOGUE INSTRUCTIONS)

부품 카탈로그에는 부품 번호 이외에도 장비 사용자가 알아야 할 필수 정보가 많이 수록되어 있습니다. 이 쪽에서는 부품 카탈로그가 어떻게 작성되었고 또한 어떤 정보들이 수록되어 있는지를 알 수 있습니다.

그룹 1 머리말 및 지침

다음의 정보를 찾을 수 있습니다.

- 장비 그림과 발행 번호
- 개정 번호
- 그룹 색인표
- 제조 영판 부착 위치
- 머리글
- 판매 사양용 구성품 목록
- 부품 카탈로그 보는 법
- 약어 일람표

그룹 2-9 부품 목록 및 입체그림 페이지

내용의 표는 대분류 항목을 중분류하여 소분류, 쪽번호를 나타내고 있으며 입체 그림의 번호는 부품목록과 일치하고 있습니다.

- 부품 목록 쪽의 내용

1. 부품목록 제목
2. 시장별 판매사양에 관련된 제조번호 및 장치를 나타내는 것으로 해당 쪽의 부품 목록은 해당 판매사양에만 적용됩니다.
3. 부품별 적용 수량에 관련되는 정보
4. 입체 그림
5. 부품 카탈로그에서 정보를 찾고자 할 때 이용하는 그룹으로 중분류 (Group), 소분류 (Section), 쪽번호
6. 부품 카탈로그 고유번호 및 개정 번호
7. 입체 그림에서 부품 번호의 위치
8. 부품 번호
9. 이 수량은 아래의 표 왼쪽에 표시된 번호 (1~5) 와 연관되어 각각 정보에 해당하는 수량을 나타내고 있습니다. 부품별 수량은 한대의 장비에 필요한 수량이거나 또는 해당 조립체에 소요되는 수량입니다. "REQ" 는 필요한 수량으로 비교 (Note) 를 참고 하십시오.

10. PS(Parts Status) 는 부품의 상태 코드를 지칭합니다.

'NS' 는 공급불가 부품을 의미하고,  
'SS' 는 설변된 부품을 의미합니다.

더 상세한 정보를 원할 경우엔 그룹 10 대체 부품 목록을 참고 바랍니다.

11. " K" 마크가 표시된 부품은 킷 (kit) 에 포함되며, 킷 번호는 부품목록 맨 아래에 표기되어 있습니다.
12. 부품 명칭을 나타내며 항목번호 (Fig) 가 없는 상위의 조립체를 요청 시 아래의 부품이 모두 포함되어 있습니다.
13. 비고 (Notes) 에 특별 부품과 관련된 여러 정보를 수록합니다.
  - 참고번호 (Footnote number) 예를 들면 3001 에 관련된 내용을 표의 바로 위에 기록하였습니다.
  - 대체된 부품 ( 예 :SA 1146-00530)
  - 제품 / 제조 번호
  - 약어 및 기술정보
  - 중분류 (Group) 및 쪽에 관련된 정보

그룹 10 대체 부품 / 부품 번호 색인

- PS 칸에 "SS" 로 표시된 부품은 대체된 부품으로서 대체 부품번호와 대체전 부품번호와 함께 기록하였습니다.
- 대체된 부품이 다시 변경 된 경우에도 기록하였습니다.
- 부품 번호 색인에는 부품 카탈로그에 포함된 모든 부품을 표시하였으며, 중분류 (Group), 소분류 (Section) 및 쪽번호도 표시 하였습니다.

지속적인 품질 향상 및 성능 개선에 의한 변경 내용이 이 카탈로그에 반영 되지 않고 발간 될 수도 있습니다.

필요시 이러한 변경사항이 반영된 개정판이 발행됩니다.

더 자세한 정보를 원할 경우에는 볼보 건설 기계 코리아(주) 서비스엔지니어링팀으로 문의하여 주시기 바랍니다.

카탈로그 보는 법

Catalogue id	Group
<b>56141</b>	<b>1</b>
Issue	Page
<b>VOE 7414356141</b>	<b>19</b>

Fig.	Part No.	Quantity			P S	K T	Description	Dénomination	Bezeichnung	품명	Denominación	Notes
		1	2	3								
	SA 1146-00030	1				Bucket Cylinder.....	Verin Godet.....	Löffelzylinder.....	버킷 실린더.....	Cilind Cuchara.....	STD See group 924, page 625	
1		1			NS	•Tube.....	•Tuyau.....	•Rohr.....	튜브.....	•Tubo.....		
2	SA 9624-11617	2				•Bushing.....	•Bague.....	•Buchse.....	부싱.....	•Casquillo.....		
3	SA 9481-10003	2				•Nipple.....	•Raccord.....	•Nippel.....	니플.....	•Niple.....		
4	SA 9561-08010	4				•Seal.....	•Joint.....	•Dichtung.....	시일.....	•Reten.....		
5	SA 14501183	1				•Rod.....	•Tige piston.....	•Kolbenstange.....	로드.....	•Varilla piston.....	(1146-00530)	
6	SA 9568-01200	2			K	•Seal.....	•Joint.....	•Dichtung.....	시일.....	•Reten.....		
7	SA 9023-10802	1				•Set Screw.....	•Vis Butee.....	•Anschlagschraub.....	세트스크류.....	•Tornillo Tope.....		
8	SA 1146-06870	1				•Pad.....	•Patin.....	•Belag.....	패드.....	•Pastilla.....		
9	SA 1146-00610	1				•Head.....	•Tete.....	•Kopf.....	헤드.....	•Capo.....		
10	SA 9612-08040	1			K	•Bushing.....	•Bague.....	•Buchse.....	부싱.....	•Casquillo.....		
11	SA 9557-07000	1				•Ring.....	•Anneau.....	•Ring.....	링.....	•Anillo.....	87,6 x 15	
12	SA 9556-08000	1				•Ring.....	•Anneau.....	•Ring.....	링.....	•Anillo.....		
13	SA 1146-00220	1				•Cushion.....	•Coussin.....	•Sitzkissen.....	쿠션.....	•Cojin.....		
14	SA 1146-00620	1				•Piston.....	•Piston.....	•Kolben.....	피스톤.....	•Piston.....		
15	SA 9216-06520	1				•Washer.....	•Rondelle.....	•Scheibe.....	와셔.....	•Arandela.....	66 x 95	
16	SA 1146-06880	1				•Lock Nut.....	•Contre-ecrou.....	•Sicher Mutter.....	로크너트.....	•Contratuerca.....		
17	SA 9016-21612	12				•Bolt.....	•Boulon.....	•Bolzen.....	볼트.....	•Perno.....	M16 x 60	
18	SA 9564-20800	1			K	•Seal.....	•Joint.....	•Dichtung.....	시일.....	•Reten.....		
19	SA 9567-20801	1			K	•Ring.....	•Anneau.....	•Ring.....	링.....	•Anillo.....		
20	SA 9563-20801	1			K	•Seal.....	•Joint.....	•Dichtung.....	시일.....	•Reten.....		
21	SA 1146-07960	1			K	•Seal.....	•Joint.....	•Dichtung.....	시일.....	•Reten.....		
22	SA 9566-31100	1			K	•Ring.....	•Anneau.....	•Ring.....	링.....	•Anillo.....		
23	SA 9566-11100	1			K	•Ring.....	•Anneau.....	•Ring.....	링.....	•Anillo.....		
100	SA 8148-10071	1				Sealing kit.....	Jeu joints.....	Dichtungssatz.....	시일.....	Juego retenes.....	1)	

1) GB: Replacement version FR: Version pièce de rechange. DE: Ersatzteil-ausführung. KR: 신규발행판으로 교환 ES: Version piezas de repuesto.

1	DD17G001	Cilindro de cazo	Catalogue id	56001	Group	975
2		버킷 실린더	Illustr. No	SA296	Section	1000
3		Schaufelzylinder	Issue	VOE 74C995601	Page	655
4		Vérin de godet				
5		Bucket cylinder				
		STD				

**VOLVO**



En el catálogo de repuestos se incluye, además de los números de artículo, numerosa información muy útil.  
El propósito de la guía es explicar la estructura de los catálogos y la información que se ofrece en los mismos.

### Grupo 1 Prefacio e instrucciones

Se encontrará aquí:

- El título y el número de publicación
- Las modificaciones introducidas con todas las ediciones
- El índice de grupos
- Los letreros de producto
- El prefacio
- Una lista sobre los equipos adaptados a los mercados
- La guía al catálogo
- Una tabla de abreviaturas

### Grupo 2 - 9 páginas con texto e ilustraciones

- El índice muestra la clasificación de los grupos principales en subgrupos con remisiones a páginas y secciones.
- Página de ilustraciones. Los números de posición de las ilustraciones. Remisiones a páginas de texto.
- Páginas de texto
  1. Rúbrica
  2. Texto adicional que delimita la validez de la sección, por ejemplo, información sobre números de fabricación y equipos según mercado.
  3. Designación para columnas de cantidades.
  4. Número de ilustración.
  5. Grupo, sección, página. Se utilizan al manejar el catálogo
  6. Identificación e indicación de la edición del catálogo.
  7. Números de posición en la ilustración correspondiente.
  8. Números de artículo
  9. Cantidad. Se indica en esta columna la ejecución. El número indicado se refiere a la cantidad por máquina o, si procede, por unidad completa. "REQ" significa la cantidad necesaria, véase la columna de las notas.

10. PS (Parts Status) indica el código de estado del artículo.  
-"NS" indica que el artículo no se tiene en stock.

-"SS" indica que el artículo ha sido sustituido.

Para más información, véase el grupo 10, artículos sustituidos.

11. KIT. Los artículos marcados con una "K" forman parte de un juego. El número de juego suele indicarse detrás de los demás números de artículo.
12. Denominación. El desplazamiento indica que en la unidad indicada se incluyen uno o varios artículos. Estos se incluyen en la unidad completa pedida.
13. Notas. Aparecen aquí diversas informaciones relativas a los artículos:
  - Números de notas de pie de página; ej. 3001) aparece al final de la página.
  - Artículos sustituidos. Ej. (1146-00530)
  - Números de producto o fabricación.
  - Abreviaturas e información técnica.
  - Remisiones a páginas y grupos.

### Grupo 10 Artículos sustituidos/Índice de números

- Artículos sustituidos. Se marcan aquí con "SS" (en la columna PS) los números de artículo con sus sustituciones. Los artículos sustituidos, a su vez, pueden haber sido sustituidos, etc.
- Índice de números. Aparecen aquí todos los artículos existentes en el catálogo con remisión a grupo, sección y página.

En su modelo de máquina pueden haberse introducido mejoras que no aparecen en esta publicación. Las publicaciones son revisadas para incluir las mejoras en ediciones posteriores. Para más información, dirijase a Volvo Construction Equipment Korea Customer Support, Business Planning Department.

*Este documento está protegido por los derechos de autor y por lo tanto está prohibida su copia, impresión o cualquier otro tipo de reproducción indebida. La infracción de esta prohibición será penalizada. Reservado el derecho a introducir modificaciones.*  
Volvo Construction Equipment Korea Customer Support

CATALOGO DE PIEZAS INSTRUCCIONES

Catalogue id	Group
<b>56141</b>	<b>1</b>
Issue	Page
<b>VOE 7414356141</b>	<b>21</b>

## TABLE OF ABBREVIATION

약어 일람표

Catalogue id  
**56141**

Group  
**1**

## POUR LA LISTE DES ABRÉVIATIONS EMPLOYÉES

## PABLO DE ABBREVIATIONS

Issue  
**VOE 7414356141**

Page  
**22**

## ABKÜRZUNGSVERZEICHNIS

ABBREVIATION	ENGLISH	FRANÇAIS	DEUTSCH	KOREAN	ESPAÑOL
A	ampere	ampère	Ampere	전류	amperio
ALT	alternative	alternative	wahlweise	대체 사양	alternativa
AX ####-	as from axle No.	à partir du essieu N°	ab Achsennr.	액슬 일련번호 ~ 부터	a partir del eje nro
AX - ####	up to and incl. axle No.	jusqu'au déssieu N°	bis Achsennr.	액슬 일련번호 ~ 까지	hasta el eje nro
BL	black	noir	schwarz	검정색	negro
BLUE	blue	bleu	blau	파랑색	azul
BR	brown	brun	braun	갈색	marrón
BRA	Brazil	Brésil	Brasilien	브라질	Brasil
CAB ##### -	as from cab No.	à partir du la cabine	ab Kabinen-herstellnr.	캡 일련번호 ~ 부터	a partir de la cabina
CAB - #####	up to and incl. cab No.	jusqu'au la cabine N°	bis Kabinen-herstellnr.	캡 일련번호 ~ 까지	hasta la cabina nro
CAN	Canada	Canada	Kanada	캐나다	Canadá
CENT	centre	au milieu	Mittlere	중앙	central
CPL	complete	complet	komplett	조립체	completo
CU M	cubic metre	mètre cube	Kubikmeter	입방미터	metro cúbico
DEG	numbers of degrees, C°	nombres de degré de chaleur, C°	Anzahl in Graden C°	섭씨 온도	numero de grado de calor, C°
DEU	Germany	Allemagne	Deutschland	독일	Alemania
DNK	Denmark	Danemark	Dänemark	덴마크	Dinamarca
EEC	European Economic Community (EEC)	pays du marche commun (EEC)	EU-Markt (EEC)	유럽경제공동체	el mercado común (EEC)
ENG	Engine	moteur	Motor	엔진	motor
ENG ##### -	as from engine No.	à partir du moteur N°	ab Motornr.	엔진 일련번호 ~ 부터	a partir del motor nro
ENG - #####	up to and incl. engine No.	jusqu'au moteur N°	bis Motornr.	엔진 일련번호 ~ 까지	hasta el motor nro
E PROD	early production	production antérieure	Frühere Ausführung	양산전	producción anterior
ESP	Spain	Espagne	Spanien	스페인	España
EXC ### -	as from excavator unit No.	à partir de agregado excavador nro	Ab Bagger-Aggregatnr.	작업장치 일련번호 ~ 부터	a partir de agregado excavador nro
EXC - ###	up to and incl. excavator unit No.	jusqu'au agrègat excavateur N°	bis Bagger-Aggregatnr	작업장치 일련번호 ~ 까지	hasta el agregado excavador nro
EXCL	excluding	exclus	auschliesslich	제외	exclusivo
FIN	Finland	Finlande	Finnland	핀란드	Finlandia
FORW	forward	avant	vordere	전진	delante
FRA	France	France	Frankreich	프랑스	Francia
GBR	Great Britain	Angleterra	England	영국	Inglaterra
GRAM	gram	gramme	Gramm	그램	gramo
GREEN	green	vert	grün	녹색	verde
GREY	grey	gris	gris	회색	gris

ABBREVIATION	ENGLISH	FRANÇAIS	DEUTSCH	KOREAN	ESPAÑOL
HT ##### -	as from hydraulic transmission No.	à partir du transmission hydraulique N°	ab Hydraulikgetriebe	트랜스미션 일련번호 ~ 부터	a partir de transmisión hidráulico nro
HT - #####	up to and incl. hydraulic transmission No.	jusqu'au transmission hydraulique N°	bis Hydraulikgetriebe	트랜스미션 일련번호 ~ 까지	hasta el transmisión hidráulico nro
ID	diameter, inner	diamètre, intérieur	Innendurchmesser	내경	diámetro, interior
IN	inche(s)	pouce	Zoll	인치	pulgada
INCL	inclusive	inclus	einschliesslich	포함	inclusive
INNER	inner	intérieur	innen	내측	interior
ITA	Italy	Italie	Italien	이태리	Italia
ITEM NO	see item No.	voir position	siehe Position Nr.	품번 참조	véase posición
K	included in parts kits	fait partie de jeu complet de réparation	gehört zur Satzverpackung	부품 킷에 포함	forma parte del juego por juego
KOR	Korea	Coree	Korea	한국	Corea
L	litre, length	litre, longueur	Liter, Länge	리터, 길이	litros, longitud
LH	left	gauche	links	왼쪽	izquierdo
LOAD ##### -	as from loading unit No.	à partir du groupe chargeur N°	ab Hubaggregatnr.	인양장치 일련번호 ~ 부터	a partir du unibad carga nro
LOAD - #####	up to and incl. loading unit No.	jusq'au groupe chargeur N°	bis Hubaggregatnr.	인양장치 일련번호 ~ 까지	hasta unidad carga nro
LOW	lower	dessous	unten	하부	inferior
L PROD	late production	production postérieure	jetzige Ausführung	양산후	producción posterior
MARKED	marked	marque de	gekennzeichnet mit	표시	marcado
ML	millilitre	millilitre	Milliliter	밀리리터	mililitro
MM	millimetre	millimètre	Millimeter	밀리미터	milímetros
NLD	Netherlands	Pays-Bas	Holland	네델란드	Holanda
NO	number	numéro	Nummer	번호	número
NOR	Norway	Norvège	Norwegen	노르웨이	Noruega
NS	part not stocked as spare	n'est pas stocké comme pièce de rechange	nicht als Ersatzteil vorrätig	공급불가 부품	no disponible como repuesto
O SZ	over size	côte supérieur	Übergrösse	오버 사이즈	sobredimensión
OD	diameter, outer	diamètre extérieur	Aussendurchmesser	외경	diámetro, exterior
OR	orange	orange	orange	주황색	naranja
OUTER	outer	extérieur	aussen	외측	exterior
PAGE	see page	voir page	siehe Seite	~ 쪽 참조	véase página
PAIR	pair	paire	Paar	짝	par
PCS	piece(s)	pièce	Stück	갯수	cada uno
PINK	pink	rose	rosa	분홍색	rosa

TABLE OF ABBREVIATION	약어 일람표	Catalogue id	Group
POUR LA LISTE DES ABRÉVIATIONS EMPLOYÉES	PABLO DE ABBREVIATIONS	<b>56141</b>	<b>1</b>
ABKÜRZUNGSVERZEICHNIS		Issue	Page
		<b>VOE 7414356141</b>	<b>23</b>

**VOLVO**

**EC210B**



TABLE OF ABBREVIATION		약어 일람표		Catalogue id	Group
POUR LA LISTE DES ABRÉVIATIONS EMPLOYÉES		PABLO DE ABBREVIATIONS		<b>56141</b>	<b>1</b>
ABKÜRZUNGSVERZEICHNIS				Issue	Page
				<b>VOE 7414356141</b>	<b>24</b>
ABBREVIATION	ENGLISH	FRANÇAIS	DEUTSCH	KOREAN	ESPAÑOL

ABBREVIATION	ENGLISH	FRANÇAIS	DEUTSCH	KOREAN	ESPAÑOL
PRT	Portugal	Portugal	Portugal	포르투갈	Portugal
Q	Quantity l/min	Quantité l/min	Quantität l/min	유량 (L/MIN)	Cantidad l/min
REAR	rear	arrière	hinten	뒤쪽	detrás
RED	red	rouge	rot	빨강색	rojo
REPL BY -	replaced by	remplacé par	ersetzt durch	~ 에 대체된	substituido por
REQ#	order as required,	quantité nécessaire,	erforderliche Anzahl	소요량 만큼 주문	cantidad necesaria,
RH	right	droite	rechts	오른쪽	derecha
SEE GROUP	see group	voir groupe	siehe Gruppe	그룹 참조	véase grupo
SEE SB	see Service Bulletin	voir communication de service	siehe Kundendienstmitteilung	서비스 회보 참조	ver boletín de servicio
SER NO # -	as from serial No.	à partir du fabrication N°	ab Fabrikationsnr.	장비 일련번호 ~ 부터	a partir de fabric. nro
SER NO - #	up to and incl. serial No.	jusqu'au fabrication N°	bis Fabrikationsnr.	장비 일련번호 ~ 까지	hasta el fabric. nro
S/N ##### -	as from serial No.	à partir du fabrication N°	ab Fabrikationsnr.	장비 일련번호 ~ 부터	a partir de fabricación nro.
S/N - #####	up to and incl. serial No.	jusqu'au fabrication N°	bis Fabrikationsnr.	장비 일련번호 ~ 까지	hasta el fabricación nro.
SPECIAL	special model	construction spéciale	Sonderausführung	주문사양	modelo especial
SQ MM	square millimeters	millimètre carré	Quadratmillimeter	평방미터	milímetros cuadrados
SS	superseded part	pièce remplacée	ersetztes Teil	교체된 부품	pieza substituida
STD	standard version	version standard	Standardausführung	표준사양	versión standard
STD SZ	standard size	dimension standard	Standardabmessung	표준규격	dimensión standard
SWE	Sweden	Suède	Schweden	스웨덴	Suecia
THICK	thickness	épaisseur	Dicke	두께	espesor
TM NO # -	as from transmission No.	à partir du transmission N°	ab Getriebrn.	트랜스미션 일련번호 ~ 부터	a partir de transmisión nro
TM NO - #	up to and incl. transmission No.	jusqu'au transmission N°	bis Getriebrn.	트랜스미션 일련번호 ~ 까지	hasta el de transmisión nro
UPPER	upper	supérieur	oben	상부	superior
USA	United States of America	États-Unis	Vereinigte Staaten	미국	Estados Unidos
U SZ	under size	côte interieur	Untergrösse	언더 사이즈	subdimensión
V	volt	volt	Volt	전압	voltio
VIOL	violet	violet	violett	보라색	violeta
W	Watt	watt	Watt	와트	watio
WHITE	white	blanc	weiss	흰색	blanco
WID	width	largeur	Breite	폭	ancho
YELL	yellow	jauni	gelb	노란색	amarillo
ZAF	South Africa	Afrique du Sud	Südafrika	남아프리카	Sudáfrica

Equipment	Kit No	Description	Equipment	Kit No	Description
8277127		Fuel filling pump, not equipped with Sans Pompe de remplissage de carburant Ohne Kraftstoffpumpe 연료 주유 펌프 미장착 Sin Bomba de repostaje	8277143		Operator seat Siege conducteur Fahrsitz 운전석 Asiento conductor Fabric
8277135		Crawler track Chenilles Raupen 트랙 Orugas TRK-600mm shoe x 49 Triple grouser	8277144		Operator seat, heated Siege conducteur, chauffe Fahrsitzbeheizung 운전석 - 시트 가열장치 Asiento conductor, termico Fabric
8277138	VOE 14515501	Rotating beacon Phare rotatif Rotierende Warnleuchte 경광등 Lámpara rotatoria de advertencia	8277145		Operator seat, heated, air suspended Siege conducteur, chauffe, suspension air Fahrsitzbeheizung, luftgedert 운전석 - 시트 가열장치 ; 에어쿠션 설치 Asiento conductor, termico, suspension aire Fabric
8277140		Cab Cabine Fahrerhaus 운전실 Cabina Sealed	8277146		Control joystick - semi long Lever de commande-semi-long Steuerhebel, halblang 조종 조이스틱 - 세미 롱 Palanca universal de mando-semilarga
8277142		Cab, vandalism kit. Cabine, protection contre le vandalisme Kabine, Vandalisierungsschutzsatz 운전실 - 도난방지장치 Cabina, equipo de protección vandalismo Sealed	8277147		Control joystick - Wrist control, 3 switch. Lever de commande-commande par poignet Steuerhebel, kurz 조종 조이스틱 -3 스위치 Palanca universal de mando-mando de muñeca

PRODUCT AND EQUIPMENT VARIANTS

판매사양

Catalogue id  
**56141**

Group  
**1**

VARIANTES DE PRODUCTOS Y EQUIPAMIENTOS

VARIANTES DE PRODUCTOS Y EQUIPAMIENTOS

Issue  
**VOE 7414356141**

Page  
**25**

PRODUKT- UND AUSRÜSTUNGSVARIANTEN

**VOLVO**

**EC210B**

<b>PRODUCT AND EQUIPMENT VARIANTS</b>	판매사양	Catalogue id <b>56141</b>	Group <b>1</b>
<b>VARIANTES DE PRODUCTOS ET D'EQUIPMENTS</b>	<b>VARIANTES DE PRODUCTOS Y EQUIPAMIENTOS</b>	Issue <b>VOE 7414356141</b>	Page <b>26</b>
<b>PRODUKT- UND AUSRÜSTUNGVARIANTEN</b>			

Equipment	Kit No	Description	Equipment	Kit No	Description
8277148		Control joystick - Wrist control, 5 switch. Lever de commande-commande par poignet Steuerhebel, kurz 조종 조이스틱 -5 스위치 Palanca universal de mando-mando de muñeca	8277158		Cassette radio, Europe Radio-cassette Kassettenrecorder 카세트 라디오 - 유럽용 Radiocasete
8277153		Specific Key. Combination Clé Spécifique Einzeltaste 호기별 열쇠 Llave especifica	8277159	VOE 14515852	Front rain shield Para-pluie avant Vordere Windschutzscheibe 앞유리 빗물 차단 장치 Visera antilluvia frontal
8277154		Master Key Clé Principale Haupttaste 전모뎀 공용 열쇠 Llave maestra	8277160	VOE 14515853	Sun visor, internal Pare-soleil,interiur Sonnenblende,innen 선 바이저 , 내부 Visera,interior
8277155		Without Cassette radio Sans radio-cassette Ohne Kassettenrecorder 카세트 라디오 없음 Sin radiocasete	8277164	VOE 14515859	Fops Fops Fops 폼스 - 낙하물 보호 장치 Fops <i>FOPS = Falling object protection structure</i>
8277156		Cassette radio Radio-cassette Kassettenrecorder 카세트 라디오 - 국내용 Radiocasete Korea	8277166	VOE 14515860	Safety net for front window Filet de sécurité pour pare-brise Sicherheitsnetz für Windschutzscheibe 전면유리 보호 철망 Red de seguridad para ventana frontal
8277157		Cassette radio, Usa Radio-cassette Kassettenrecorder 카세트 라디오 - 미주용 Radiocasete			

Equipment	Kit No	Description	Equipment	Kit No	Description
8277259		Tool kit Outillage Werkzeugsatz 공구 세트 Juego de herramientas <i>Daily maintenance</i>	8277484	VOE 14515845	Diesel heater Chaufferete-diesel Dieselwärmer 엔진 히터 Calefactor diesel
8277331		Under cover for lower frame Couvercle inférieur pour cadre inférieur Untere Haube für Unterwagen 선회기어 보호 커버 Cubierta inf. para bastidor inferior <i>Standard</i>	8277535		Linkage for super long boom Articulation pour flèche extra longue Gelenk für extralangen Ausleger 버킷 커브팅 로드 - 슈퍼 롱 붐용 Articulación para pluma superlarga
8277332		Under cover 10t for lower frame Couvercle inférieur 10t pour cadre inférieur Untere Haube 10 t für Unterwagen 선회기어 보호 커버 - 10t Cubierta inf. 10 t para bastidor inferior <i>Heavy Duty</i>	8277540		Bucket cylinder Vérin de godet Löffelzylinder 버킷 실린더 Cilindro de cazo <i>Standard seal</i>
8277477	VOE 14515837	Engine block heater, oil pan heater Chauffage bloc moteur, chauffage carter d'huile Lufterwärmer für Motorblock, Ölwanneheizung 엔진 블록 히터 및 오일 팬 히터 Calentador del bloque, calentador del cárter 120V	8277566		Bucket, Non-Super long Sans godet pour flèche extra longue Ohne Löffel für extralang Ausleger 버킷 미장착 - 슈퍼 롱 용 No cazo para pluma superlarga
8277478	VOE 14515838	Engine block heater, oil pan heater Chauffage bloc moteur, chauffage carter d'huile Lufterwärmer für Motorblock, Ölwanneheizung 엔진 블록 히터 및 오일 팬 히터 Calentador del bloque, calentador del cárter 240V	8277576		Gp Bucket with tooth Godet Gp avec dents Gp-löffel mit Zähnen 일반작업용 버킷 - 투스 장착 Cazo Gp con dientes <i>0,52 CU M SAE</i>

<b>PRODUCT AND EQUIPMENT VARIANTS</b>	판매사양	Catalogue id <b>56141</b>	Group <b>1</b>
<b>VARIANTES DE PRODUITS ET D'EQUIPMENTS</b>	<b>VARIANTES DE PRODUCTOS Y EQUIPAMIENTOS</b>	Issue <b>VOE 7414356141</b>	Page <b>27</b>
<b>PRODUKT- UND AUSRÜSTUNGVARIANTEN</b>			

<b>PRODUCT AND EQUIPMENT VARIANTS</b>	<b>판매사양</b>	Catalogue id <b>56141</b>	Group <b>1</b>
<b>VARIANTES DE PRODUCTOS Y EQUIPAMIENTOS</b>	<b>VARIANTES DE PRODUCTOS Y EQUIPAMIENTOS</b>	Issue <b>VOE 7414356141</b>	Page <b>28</b>
<b>PRODUKT- UND AUSRÜSTUNGSVARIANTEN</b>			

Equipment	Kit No	Description	Equipment	Kit No	Description
8277588	SA 1193-00031	Tool kit Outillage Werkzeugsatz 공구 세트 Juego de herramientas	8277648		Roller guard - Hd full guard Protège - rouleau - Protection Hd entière Hd - Rollenschutz 롤러 가드 - 강화형 Guarda de rodillo - completa Hd
8277641		Crawler track Chenilles Raupen 트랙 Orugas TRK-700mm shoe x 49 Triple grouser	8277652		Top roller Galet superieur Steutzrolle 상부 롤러 Rodillo superior
8277642		Crawler track Chenilles Raupen 트랙 Orugas TRK-800mm shoe x 49 Triple grouser	8277659		Dipper arm - None Bras, sans Stiel, ohne 디퍼 암 - 미장착 Brazo, sin
8277643		Crawler track Chenilles Raupen 트랙 Orugas TRK-900mm shoe x 49 Triple grouser	8277715	VOE 14515851	Travel alarm Alarme de conduite Fahralarm 후진 경고 장치 Alarma de traslación
8277646		Roller guard Protège-rouleau Rollenschutz 롤러 가드 Guarda de rodillo LC	8277726		Step for 600mm Marche-pied pour 600mm Trittleiter für 600mm 스텝 -600mm 트랙 슈 용 Escalón para 600mm
			8277727		Step for 700mm Marche-pied pour 700mm Trittleiter für 700mm 스텝 -700mm 트랙 슈 용 Escalón para 700mm

Equipment	Kit No	Description	Equipment	Kit No	Description
8277758		Step for 800mm Marche-pied pour 800mm Trittleiter für 800mm 스텝 -800mm 트랙 슈 용 Escalón para 800mm	8277794		Cooling system for tropical Système de refroidissement pour climat tropical Kühlanlage für Tropik 냉각장치 - 열대형 Sistema de refrigeración tropical
8277759		Step for 900-910mm Marche-pied pour 900-910mm Trittleiter für 900-910mm 스텝 -900mm 및 910mm 트랙 슈 용 Escalón para 900-910mm	8277795		Fuel filling pump Pompe de remplissage de carburant Kraftstoffpumpe 연료 주유 펌프 Bomba de repostaje 35lpm
8277784		Basic Machine Machine de bas Grundmaschine 본체 Máquina básica EC210B	8277796		Fuel filling pump, auto stop Pompe remplissage de carburant, arrêt automatique Kraftstoffpumpe, Stoppautomatik 연료 주유 펌프 - 주유량 셋팅 기능 Bomba de repostaje, parada automática 50lpm
8277790	VOE 14515856	Windscreen wiper Essuie-glace supérieur Scheibenwischer 차창 와이퍼, 하부 Limpiaparabrisas superior Lower Wiper	8277797		Pre-cleaner Préfiltre Vorreiniger 프리크리너 Prefiltro
8277793		Cooling system Système de refroidissement Kühlanlage 냉각장치 - 표준형 Sistema de refrigeración	8277798		Coolant filter Filtre eau Kühlfüssigkeitsfilter 냉각수 필터 Filtro refrigerante

PRODUCT AND EQUIPMENT VARIANTS

판매사양

Catalogue id  
**56141**

Group  
**1**

VARIANTES DE PRODUCTOS Y EQUIPAMIENTOS

VARIANTES DE PRODUCTOS Y EQUIPAMIENTOS

Issue  
VOE 7414356141

Page  
**29**

PRODUKT- UND AUSRÜSTUNGSVARIANTEN

**VOLVO**

**EC210B**

<b>PRODUCT AND EQUIPMENT VARIANTS</b>	판매사양	Catalogue id <b>56141</b>	Group <b>1</b>
<b>VARIANTES DE PRODUITS ET D'EQUIPMENTS</b>	<b>VARIANTES DE PRODUCTOS Y EQUIPAMIENTOS</b>	Issue <b>VOE 7414356141</b>	Page <b>30</b>
<b>PRODUKT- UND AUSRÜSTUNGSVARIANTEN</b>			

Equipment	Kit No	Description	Equipment	Kit No	Description
8277799		Extra lamp Lampe supplémentaire Zusatzscheinwerfer 보조 램프 Lámpara extra	8277807		Main control valve Valve de commande principale Steuerventilblock 제어 밸브 Válvula de control principal VOLVO
8277800		Air conditioning, cooler Conditionnement d'air Klimaanlage 에어콘 Acondicionador de aire	8277808		Main control valve Valve de commande principale Steuerventilblock 제어 밸브 Válvula de control principal Toshiba
8277801		Air conditioning, heater and cooler. Conditionnement d'air Klimaanlage 에어콘 및 히터 겸용 Acondicionador de aire	8277810		Crawler track Chenilles Raupen 트랙 Orugas TRK-600mm shoe x 46 Triple grouser
8277803		Anti theft packing Dispositif antivol Diebstahlschutzdichtung 도난방지장치 세트 Empaquetadura antirrobo	8277811		Crawler track Chenilles Raupen 트랙 Orugas TRK-700mm shoe x 46 Triple grouser
8277804		Under cover 2,3t for superstructure Couvercle inférieur 2.3t pour superstructure Untere Haube 2,3 t für Oberwagen 언더 커버 -2,3t ; 상부 프레임 Cubierta inf. 2,3 t para superestructura	8277812		Crawler track Chenilles Raupen 트랙 Orugas TRK-800mm shoe x 46 Triple grouser
8277805		Hd Under cover 4,5t for superstructure Couvercle inférieur Hd 4.5t pour superstructure Hd untere Haube 4,5 t für Oberwagen 언더 커버 - 강화형 4,5t ; 상부 프레임 Cubierta inf. Hd 4,5 t para superestructura			

Equipment	Kit No	Description	Equipment	Kit No	Description
8277813		Crawler track Chenilles Raupen 트랙 Orugas <i>TRK-900mm shoe x 46 Triple grouser</i>	8277825		Boom with leak seat Flèche avec siège de fuite Ausleger mit leckeinsitz 붐 - 배관용 브라켓 설치 Pluma con asiento de fuga <i>5,7m GP</i>
8277820		Lower frame, welded step Cadre inf, marche soudée Unterwagen, geschweisste Trittleiter 하부 프레임 - 스텝 용접형 Bastidor inf., escalón soldado <i>LC Type</i>	8277826		Heavy duty boom with leak seat Flèche avec lourd avec siège de fuite Hd-ausleger mit leckeinsitz 붐 - 배관용 브라켓 설치 ; 강화형 Pluma de servicio pesado con asiento de fuga <i>5,7m</i>
8277821		Lower frame, bolted step Cadre inf, marche boulon. Unterwagen, verschraubte Trittleiter 하부 프레임 - 스텝 조립형 Bastidor inf., escalón atornil <i>LC Type</i>	8277827		Super long boom Flèche extra longue Extralanger Ausleger 수퍼 롱 붐 Pluma superlarga <i>8,85m</i>
8277822		Lower frame, bolted step Cadre inf, marche boulon. Unterwagen, verschraubte Trittleiter 하부 프레임 - 스텝 조립형 Bastidor inf., escalón atornil <i>NLC Type</i>	8277828		Adjustable boom with leak seat Flèche réglable avec siège de fuite Verstellbarer Ausleger mit leckeinsitz 굴절식 붐 - 배관용 브라켓 설치 Pluma ajustable con asiento de fuga <i>5,57m</i>
8277824		Boom - None Sans flèche Ohne Ausleger 붐 미장착 No pluma	8277830		Dipper arm with leak seat Bras avec siège de fuite Stiel mit leckeinsitz 디퍼 암 - 배관용 브라켓 설치 Brazo con asiento de fuga <i>2,5m</i>

<b>PRODUCT AND EQUIPMENT VARIANTS</b>	판매사양	Catalogue id	Group
<b>VARIANTES DE PRODUCTOS Y EQUIPAMIENTOS</b>	<b>VARIANTES DE PRODUCTOS Y EQUIPAMIENTOS</b>	<b>56141</b>	<b>1</b>
<b>PRODUKT- UND AUSRÜSTUNGVARIANTEN</b>		Issue	Page
		<b>VOE 7414356141</b>	<b>31</b>



<b>PRODUCT AND EQUIPMENT VARIANTS</b>	판매사양	Catalogue id <b>56141</b>	Group <b>1</b>
<b>VARIANTES DE PRODUCTOS Y EQUIPAMIENTOS</b>	<b>VARIANTES DE PRODUCTOS Y EQUIPAMIENTOS</b>	Issue <b>VOE 7414356141</b>	Page <b>32</b>
<b>PRODUKT- UND AUSRÜSTUNGVARIANTEN</b>			

Equipment	Kit No	Description	Equipment	Kit No	Description
8277831		Dipper arm with leak seat Bras avec siège de fuite Stiel mit leckeinsitz 디퍼 암 - 배관용 브라켓 설치 Brazo con asiento de fuga 2,9m	8277837		Boom cylinder, std seal Vérin de flèche Auslegerzylinder 붐 실린더 - 표준형 시일 Cilindro de pluma
8277832		Hd Dipper arm with leak seat Bras Hd avec siège de fuite Hd-stiel mit leckeinsitz 디퍼 암 - 배관용 브라켓 설치 ; 강화형 Brazo Hd con asiento de fuga 2,9m	8277838		Dipper arm cylinder, std seal Vérin de bras Stielzylinder 디퍼 암 실린더 - 표준형 시일 Cilindro de brazo
8277833		Dipper arm with leak seat Bras avec siège de fuite Stiel mit leckeinsitz 디퍼 암 - 배관용 브라켓 설치 Brazo con asiento de fuga 3,9m	8277839		Dipper arm cylinder for super long boom Vérin de bras pour flèche extra longue Stielzylinder für extralanger Ausleger 디퍼 암 실린더 - 슈퍼 롱 붐 Cilindro de brazo para pluma superlarga
8277834		Super long dipper arm Flèche extra longue Extralanger Ausleger 수퍼 롱 디퍼 암 Pluma superlarga 6,25m	8277840		Bucket cylinder Vérin de godet Löffelzylinder 버킷 실린더 Cilindro de cazo
8277835		Linkage for standard Articulation standard Gelenk für Standardausleger 버킷 커넥팅 로드 - 표준형 Articulación para pluma estándar	8277842		2nd boom cylinder Vérin de 2nde flèche 2. Auslegerzylinder 2 단 붐 실린더 - 표준형 시일 2o. cilindro de cazo
			8277843		Hydr. leak-off line on basic machine Ligne de fuite d'huile hydr. dans machine de base Hydr. Leckrohr auf Grundmaschine 유압 배관 - 본체 측 Tub. de fuga de aceite hydr. en máquina básica

Equipment	Kit No	Description	Equipment	Kit No	Description
8277844		Leak-off line on boom. Ligne de fuite sur flèche. Leckrohr auf Ausleger. 유압 배관 - 붐 측 Tuberia de fuga en pluma. 5,7m	8277849		Grapple manoeuvre. Leak-off line on dip. arm Commande de grappin, fuite hydr. sur le bras Leckrohr für Greiferfunktion auf Stiel 클램셀 배관 - 디퍼 암 측 Fuga de aceite hidr. accion. garras en brazo 2,5m
8277845		Hydr. leak-off line on adjustable boom Ligne de fuite d'huile hydr. sur flèche réglab Hydr. Leckrohr auf verstellbarem Ausleger 유압 배관 - 굴절식 붐 측 Tuberia de fuga de aceite hidr. en pluma ajustable	8277850		Grapple manoeuvre. Leak-off line on dip. arm Commande de grappin, fuite hydr. sur le bras Leckrohr für Greiferfunktion auf Stiel 클램셀 배관 - 디퍼 암 측 Fuga de aceite hidr. accion. garras en brazo 2,9m
8277846		Hydraulic fluid Fluide hydraulique Hydrauliköl 유압 작동유 Aceite hidraulico Mineral No.32	8277851		Grapple manoeuvre. Leak-off line on dip. arm Commande de grappin, fuite hydr. sur le bras Leckrohr für Greiferfunktion auf Stiel 클램셀 배관 - 디퍼 암 측 Fuga de aceite hidr. accion. garras en brazo 3,9m
8277847		Hydraulic fluid Fluide hydraulique Hydrauliköl 유압 작동유 Aceite hidraulico Mineral No.46	8277852		Leak-off line on dip. arm without leak. for grapp. Fuite sur bras sans fuite Commande de grappin Leckrohr auf Stiel ohne Greiferfunktion 유압 배관 - 디퍼 암 측 ; 클램셀 배관 제외 Fuga en brazo sin fuga en accion. garras 2,5m
8277848		Hydraulic fluid Fluide hydraulique Hydrauliköl 유압 작동유 Aceite hidraulico Mineral No.68	8277853		Leak-off line on dip. arm without leak. for grapp. Fuite sur bras sans fuite Commande de grappin Leckrohr auf Stiel ohne Greiferfunktion 유압 배관 - 디퍼 암 측 ; 클램셀 배관 제외 Fuga en brazo sin fuga en accion. garras 2,9m

PRODUCT AND EQUIPMENT VARIANTS

판매사양

Catalogue id  
**56141**

Group  
**1**

VARIANTES DE PRODUCTOS Y EQUIPAMIENTOS

VARIANTES DE PRODUCTOS Y EQUIPAMIENTOS

Issue  
**VOE 7414356141**

Page  
**33**

PRODUKT- UND AUSRÜSTUNGSVARIANTEN

**VOLVO**

**EC210B**

PRODUCT AND EQUIPMENT VARIANTS		판매사양	Catalogue id	Group	
VARIANTES DE PRODUCTOS Y EQUIPAMIENTOS		VARIANTES DE PRODUCTOS Y EQUIPAMIENTOS	56141	1	
PRODUKT- UND AUSRÜSTUNGSVARIANTEN			Issue	Page	
			VOE 7414356141	34	
Equipment	Kit No	Description	Equipment	Kit No	Description

8277854  
 Leak-off line on dip. arm without leak. for grapp.  
 Fuite sur bras sans fuite Commande de grappin  
 Leckrohr auf Stiel ohne Greiferfunktion  
 유압 배관 - 디퍼 암 측 ; 클램셀 배관 제외  
 Fuga en brazo sin fuga en accion. garras  
 3,9m

8277859  
 Leak-off line for hammer-shear on adjustable boom  
 Fuite hydr. mart.-ciseaux sur flèche réglable  
 Leckrohr für Hammer-schere auf verst. Ausleger  
 브레이커 및 크러셔 배관 - 굴절식 붐 측  
 Fuga hidr. para mart.-cizalla en pluma ajustable

8277855  
 Hydr. leak-off line for hammer-shear. 1 pump  
 Fuite hydraulique marteau-ciseaux. 1 pompe  
 Leckrohr für Hammer-schere. 1. Pumpe  
 브레이커 및 크러셔 배관 - 1 펌프  
 Fuga hidr. para martillo-cizalla. 1 bomba

8277860  
 Leak-off line for hammer-shear on dipper arm  
 Fuite hydr. mart.-ciseaux sur bras  
 Leckrohr für Hammer-schere auf Stiel  
 브레이커 및 크러셔 배관 - 디퍼 암 측  
 Fuga hidr. para mart.-cizalla en brazo  
 2,5m

8277856  
 Hydr. leak-off line for hammer-shear. 2 pump  
 Fuite hydraulique marteau-ciseaux. 2 pompe  
 Leckrohr für Hammer-schere. 2 Pumpe  
 브레이커 및 크러셔 배관 - 2 펌프  
 Fuga hidr. para martillo-cizalla. 2 bomba

8277861  
 Leak-off line for hammer-shear on dipper arm  
 Fuite hydr. mart.-ciseaux sur bras  
 Leckrohr für Hammer-schere auf Stiel  
 브레이커 및 크러셔 배관 - 디퍼 암 측  
 Fuga hidr. para mart.-cizalla en brazo  
 2,9m

8277857  
 Leak-off line for hammer-shear. Add return filter  
 Fuite hydr. mart.-ciseaux. Filtre de retour suppl.  
 Leckrohr für Hammer-schere. Rückölfilter  
 브레이커 및 크러셔 배관 - 리턴 필터 추가  
 Fuga hidr. para mart.-cizalla. añadir filtro ret

8277862  
 Leak-off line for hammer-shear on dipper arm  
 Fuite hydr. mart.-ciseaux sur bras  
 Leckrohr für Hammer-schere auf Stiel  
 브레이커 및 크러셔 배관 - 디퍼 암 측  
 Fuga hidr. para mart.-cizalla en brazo  
 3,9m

8277858  
 Leak-off line for hammer-shear on boom  
 Fuite hydr. mart.-ciseaux sur flèche  
 Leckrohr für Hammer-schere auf Ausleger  
 브레이커 및 크러셔 배관 - 붐 측  
 Fuga hidr. para mart.-cizalla en pluma  
 5,7m

8277863  
 Extra leak-off line for rotator on hammer-shear  
 Fuite hydr suppl., rotator sur marteau-ciseaux  
 Extra Leckrohr für Drehvorr. auf Hammer-schere  
 로테이터 보조 배관 - 브레이커 및 크러셔 측  
 Fuga hidr. extra para rotador en martillo-cizalla  
 Rotator tilting

Equipment	Kit No	Description	Equipment	Kit No	Description
8277864		Leak-off line for slope-rotator on basic machine Fuite hydr descentes-rotator sur machine de base Leckrohr für Bösch.-rotator auf Grundmaschine 슬로프 및 로테이터 배관 - 본체 측 Fuga hidr. para taludes-rotador en maquina basica	8277869		Leak-off line for slope-rotator on dipper arm Fuite hydr descentes-rotator sur bras Leckrohr für Bösch.-rotator auf Stiel 슬로프 및 로테이터 배관 - 디퍼 암 측 Fuga hidr. para taludes-rotador en brazo 3,9m
8277865		Leak-off line for slope-rotator on boom Fuite hydr descentes-rotator sur flèche Leckrohr für Bösch.-rotator auf Ausleger 슬로프 및 로테이터 배관 - 붐 측 Fuga hidr. para taludes-rotador en pluma 5,7m	8277870		Hydr. Quick fit equipment on basic machine Equip. hydr. fixation rapide sur machine de base Hydr. Schnellwechsler auf Grundmaschine 퀵 핏 배관 - 본체 측 Equipo hidr. enganche ràp. en máquina básica
8277866		Leak-off line for slope-rotator on adjust. boom Fuite hydr descentes-rotator sur flèche réglable Leckrohr für Bösch.-rotator auf verst. Ausleger 슬로프 및 로테이터 배관 - 굴절식 붐 측 Fuga hidr. para taludes-rotador en pluma ajustable	8277871		Leak-off line for Quick fit equipment on boom Fuite pour raccord rapide sur flèche Leckrohr für Schnellwechsler auf Ausleger 퀵 핏 배관 - 붐 측 Fuga para enganche ràp. en pluma 5,7m
8277867		Leak-off line for slope-rotator on dipper arm Fuite hydr descentes-rotator sur bras Leckrohr für Bösch.-rotator auf Stiel 슬로프 및 로테이터 배관 - 디퍼 암 측 Fuga hidr. para taludes-rotador en brazo 2,5m	8277872		Hydr. Quick fit equipment on adjustable boom Equip. hydr. fixation rapide sur flèche réglable Hydr. Schnellwechsler auf verstellbarem Ausleger 퀵 핏 배관 - 굴절식 붐 측 Equipo hidr. enganche ràp. en pluma ajustable
8277868		Leak-off line for slope-rotator on dipper arm Fuite hydr descentes-rotator sur bras Leckrohr für Bösch.-rotator auf Stiel 슬로프 및 로테이터 배관 - 디퍼 암 측 Fuga hidr. para taludes-rotador en brazo 2,9m	8277873		Hydr. Quick fit equipment on dipper arm Equip. hydr. fixation rapide sur bras Hydr. Schnellwechsler auf Stiel 퀵 핏 배관 - 디퍼 암 측 Equipo hidr. enganche ràp. en brazo 2,5m

<b>PRODUCT AND EQUIPMENT VARIANTS</b>	판매사양	Catalogue id	Group
<b>VARIANTES DE PRODUCTOS Y EQUIPAMIENTOS</b>	<b>VARIANTES DE PRODUCTOS Y EQUIPAMIENTOS</b>	<b>56141</b>	<b>1</b>
<b>PRODUKT- UND AUSRÜSTUNGSVARIANTEN</b>		Issue	Page
		<b>VOE 7414356141</b>	<b>35</b>

PRODUCT AND EQUIPMENT VARIANTS		판매사양	Catalogue id <b>56141</b>	Group <b>1</b>	
VARIANTES DE PRODUCTOS Y EQUIPAMIENTOS		VARIANTES DE PRODUCTOS Y EQUIPAMIENTOS	Issue <b>VOE 7414356141</b>	Page <b>36</b>	
PRODUKT- UND AUSRÜSTUNGSVARIANTEN					
Equipment	Kit No	Description	Equipment	Kit No	Description

8277874		Hydr. Quick fit equipment on dipper arm Equip. hydr. fixation rapide sur bras Hydr. Schnellwechsler auf Stiel 퀵 핏 배관 - 디퍼 암 축 Equipo hidr. engancho rap. en brazo 2,9m	8277879		Dip arm cyl., leak-off on boom without hose ruptur Fuite verin bras sur fleche sans rupture Flexible Stielzyl.leckrohr auf Ausleger ohne Schlauchbruchv 디퍼 암 실린더 배관 - 붐 축 ; 낙하방지장치 없음 Fuga cilindro brazo en pluma sin rotura de manguera 5,7m
8277875		Hydr. Quick fit equipment on dipper arm Equip. hydr. fixation rapide sur bras Hydr. Schnellwechsler auf Stiel 퀵 핏 배관 - 디퍼 암 축 Equipo hidr. engancho rap. en brazo 3,5m	8277880		Hose rupt. v. for dip arm, leak-off line on adj.boom Rupt.flexible pour fuite de bras sur flèche regl Schlauchbruchv. f Stielzyl.leckrohr. auf ver. Ausl 낙하 방지 장치 - 디퍼 암 배관 ; 굴절식 붐 축 Rotura manguera para fuga de brazo en pluma ajusta
8277876		Boom cylinder leak without Hose rupture Fuite vérin de flèche sans rupture Flexible Auslegerzylinder Leckrohr ohne Schlauchbruchventil 붐 실린더 배관 - 낙하 방지장치 미설치 Fuga cilindro de pluma sin rotura de manguera	8277882		Counterweight Contrepoids Gegengewicht 카운터웨이트 Contrapeso 3,7ton
8277877		Hose rupture valve for boom cylinder leak-off Rupture flexible pour fuite de vérin de flèche Schlauchbruchvent. für Auslegerzylinder Leckrohr 낙하 방지 장치 - 붐 실린더 배관 Rotura manguera para fuga de cilindro de pluma	8277883		Counterweight Contrepoids Gegengewicht 카운터웨이트 Contrapeso 4,2ton
8277878		Hose rupture v. for dip arm, leak-off line on boom Rupture flexible pour fuite de bras sur flèche Schlauchbruchv. für Stielzyl.leckrohr. auf Ausle 낙하 방지 장치 - 디퍼 암 배관 ; 붐 축 Rotura manguera para fuga de brazo en pluma 5,7m	8277884		Counterweight for super long boom Contrepoids pour flèche extra longue Gegengewicht für extralang Ausleger 카운터웨이트 - 수퍼 롱 붐용 Contrapeso para pluma superlarga 4,9ton

Equipment	Kit No	Description	Equipment	Kit No	Description
8277885		Quick fit Raccord rapide Schnellwechsler 퀵 핏 Enganche ráp. S1	8277891		Gp Bucket with tooth Godet Gp avec dents Gp-löffel mit Zähnen 일반작업용 버킷 - 투스 장착 Cazo Gp con dientes 1,25 CU M SAE, ESCO Tooth
8277886		Bucket - None Sans godet Ohne Löffel 버킷 미장착 No cazo	8277892		Bucket with tooth. Reinforced Godet avec dents. Renforcement Löffel mit Zähnen. Verstärkung 버킷 - 투스 장착 ; 보강형 Cazo con dientes. Refuerzo 0,92 CU M SAE
8277887		Bucket - None Sans godet Ohne Löffel 버킷 미장착 No cazo	8277893		Gp Bucket with tooth Godet Gp avec dents Gp-löffel mit Zähnen 일반작업용 버킷 - 투스 장착 Cazo Gp con dientes 0,92 CU M SAE
8277889		Gp Bucket with tooth Godet Gp avec dents Gp-löffel mit Zähnen 일반작업용 버킷 - 투스 장착 Cazo Gp con dientes 0,95 CU M SAE, ESCO Tooth	8277894		Gp Bucket with tooth Godet Gp avec dents Gp-löffel mit Zähnen 일반작업용 버킷 - 투스 장착 Cazo Gp con dientes 1,22 CU M SAE
8277890		Gp Bucket with tooth Godet Gp avec dents Gp-löffel mit Zähnen 일반작업용 버킷 - 투스 장착 Cazo Gp con dientes 1,1 CU M SAE, ESCO Tooth	8277895		Gp Bucket for quickfit with Esco tooth Godet Gp pour raccord rapide avec dents Esco Gp-löffel für Schnellwechsler mit Esco-zähnen 일반작업용 퀵 핏 버킷 -ESCO 투스 장착 Cazo Gp para enganche ráp. con dientes Esco 0,95 CU M SAE

PRODUCT AND EQUIPMENT VARIANTS

판매사양

Catalogue id  
**56141**

Group  
**1**

VARIANTES DE PRODUCTOS Y EQUIPAMIENTOS

VARIANTES DE PRODUCTOS Y EQUIPAMIENTOS

Issue  
**VOE 7414356141**

Page  
**37**

PRODUKT- UND AUSRÜSTUNGSVARIANTEN

**VOLVO**

**EC210B**

PRODUCT AND EQUIPMENT VARIANTS		판매사양		Catalogue id	Group
VARIANTES DE PRODUCTOS Y EQUIPAMIENTOS		VARIANTES DE PRODUCTOS Y EQUIPAMIENTOS		56141	1
PRODUKT- UND AUSRÜSTUNGSVARIANTEN				Issue	Page
				VOE 7414356141	38
Equipment	Kit No	Description	Equipment	Kit No	Description

8277896 Gp Bucket for quickfit with Esco tooth  
 Godet Gp pour raccord rapide avec dents Esco  
 Gp-löffel für Schnellwechsler mit Esco-zähnen  
 일반작업용 콕 핏 버킷 -ESCO 투스 장착  
 Cazo Gp para engancho ráp. con dientes Esco  
 1,1 CU M SAE

8277911 Crawler track  
 Chenilles  
 Raupen  
 트랙  
 Orugas  
 TRK-700mm shoe x 49 Double grouser

8277907 Decals,Korea  
 Autocollants  
 Aufkleber  
 데칼 - 국내용  
 Pegatinas

8277920 VOE 14515858 Fall protection  
 Protection anti-chute  
 Fallschutz  
 포그 - 낙하물 보호 장치  
 Protección contra caídas  
 FOG = Falling object guard

8277908 Decals,usa  
 Autocollants,usa  
 Aufkleber,usa  
 데칼 - 미주용  
 Pegatinas,usa

8278071 Spare parts kit  
 Kit de pièces de rechange  
 Ersatzteil-kit  
 스페어 파트 킷  
 Juego de piezas de repuesto

8277909 Decals  
 Autocollants  
 Aufkleber  
 데칼 - 기타지역 ; 중동지역 포함  
 Pegatinas  
 INT and Asian market

8278093 Power max. mode  
 Force max. mode  
 Kraft max. mode  
 최대 부하 모드  
 Fuerza max. mode

8277910 Decals,europe  
 Autocollants,europe  
 Aufkleber,europe  
 데칼 - 유럽용  
 Pegatinas,europe

8278101 W/o hose rupt. v. for dip arm, leak-off line on adj.boom  
 Cond.fuite,bras,sur flèche régl,sans valv.rupt.flex.  
 Leckrohr,Stiel, Auf verst.bar Ausl,Ohne Leitbr.vent.  
 낙하 방지 장치 제외 - 디퍼 암 배관 ; 굴절식 붐 측  
 Tubo salid ace,brazo,en pluma ajust,sin valv rot mang.

Equipment	Kit No	Description	Equipment	Kit No	Description
8278103	VOE 14515857	Sun visor, external Pare-soleil, externe Sonnenblende, ausser 선 바이저, 외부 Visera, exterior	8278176		Adjustable boom with leak seat Flèche réglable avec siège de fuite Verstellbarer Ausleger mit leckeinsitz 굴절식 붐 - 배관용 브라켓 설치 Pluma ajustable con asiento de fuga 5,57m Long last bushing
8278141		Bucket cylinder Vérin de godet Löffelzylinder 버킷 실린더 Cilindro de cazo Long last bushing	8278178		Dipper arm with leak seat Bras avec siège de fuite Stiel mit leckeinsitz 디퍼 암 - 배관용 브라켓 설치 Brazo con asiento de fuga 2,5m Long last bushing
8278170		Boom with leak seat Flèche avec siège de fuite Ausleger mit leckeinsitz 붐 - 배관용 브라켓 설치 Pluma con asiento de fuga 5,7m GP Long last bushing	8278180		Dipper arm with leak seat Bras avec siège de fuite Stiel mit leckeinsitz 디퍼 암 - 배관용 브라켓 설치 Brazo con asiento de fuga 2,9m Long last bushing
8278172		Heavy duty boom with leak seat Flèche avec lourd avec siège de fuite Hd-ausleger mit leckeinsitz 붐 - 배관용 브라켓 설치 ; 강화형 Pluma de servicio pesado con asiento de fuga 5,7m Long last bushing	8278182		Hd Dipper arm with leak seat Bras Hd avec siège de fuite Hd-stiel mit leckeinsitz 디퍼 암 - 배관용 브라켓 설치 ; 강화형 Brazo Hd con asiento de fuga 2,9m Long last bushing
8278174		Super long boom Flèche extra longue Extralanger Ausleger 수퍼 롱 붐 Pluma superlarga 8,85m Long last bushing	8278184		Dipper arm with leak seat Bras avec siège de fuite Stiel mit leckeinsitz 디퍼 암 - 배관용 브라켓 설치 Brazo con asiento de fuga 3,9m Long last bushing

<b>PRODUCT AND EQUIPMENT VARIANTS</b>	판매사양	Catalogue id <b>56141</b>	Group <b>1</b>
<b>VARIANTES DE PRODUCTOS Y EQUIPAMIENTOS</b>	<b>VARIANTES DE PRODUCTOS Y EQUIPAMIENTOS</b>	Issue <b>VOE 7414356141</b>	Page <b>39</b>
<b>PRODUKT- UND AUSRÜSTUNGSVARIANTEN</b>			



PRODUCT AND EQUIPMENT VARIANTS		판매사양		Catalogue id	Group
VARIANTES DE PRODUCTOS Y EQUIPAMIENTOS		판매품명		56141	1
PRODUKT- UND AUSRÜSTUNGSVARIANTEN		판매품명		Issue	Page
				VOE 7414356141	40

Equipment	Kit No	Description	Equipment	Kit No	Description
8278186		Super long dipper arm Flèche extra longue Extralanger Ausleger 수퍼 롱 디퍼 암 Pluma superlarga 6,25m Long last bushing	8278191		2nd boom cylinder Vérin de 2nde flèche 2. Auslegerzylinder 2 단 붐 실린더 - 표준형 시일 2o. cilindro de cazo Long last bushing
8278187		Boom cylinder, std seal Vérin de flèche Auslegerzylinder 붐 실린더 - 표준형 시일 Cilindro de pluma Long last bushing	8278210		Counterweight - fabrication Construction du contrepoids Gegengewicht - Herstellung 카운터웨이트 - 제관품 Contrapeso - fabricación 3,7ton
8278188		Dipper arm cylinder, std seal Vérin de bras Stielzylinder 디퍼 암 실린더 - 표준형 시일 Cilindro de brazo Long last bushing	8278213		Counterweight - fabrication Construction du contrepoids Gegengewicht - Herstellung 카운터웨이트 - 제관품 Contrapeso - fabricación 4,2ton
8278189		Dipper arm cylinder for super long boom Vérin de bras pour flèche extra longue Stielzylinder für extralanger Ausleger 디퍼 암 실린더 - 수퍼 롱 붐 Cilindro de brazo para pluma superlarga Long last bushing	8278544		1 Switch control on hammer-shear Fonct. No 1 de comm. interrupteur mart.-ciseaux 1.a Schalergesteuerte Funkt. für Hammer-schere 1 스위치 제어 - 해머 및 시어 Func. no 1 de mando interuptor para mart.-cizalla
8278190		Bucket cylinder Vérin de godet Löffelzylinder 버킷 실린더 Cilindro de cazo Long last bushing	8278545		1 Switch control on hammer-shear Fonct. No 1 de comm. interrupteur mart.-ciseaux 1.a Schalergesteuerte Funkt. für Hammer-schere 1 스위치 제어 - 해머 및 시어 Func. no 1 de mando interuptor para mart.-cizalla

Equipment	Kit No	Description	Equipment	Kit No	Description
8278547		Pedal control on hammer-shear Fonction de commande pedale pour mart.-ciseaux Pedalgesteuerte Funktion für Hammer-schere 원격조종페달 제어 - 해머 및 시어 Función de mando pedal para mart.-cizalla			
8278550		2 Switch control on hammer-shear Fonct. No 2 de comm. interrupteur mart.-ciseaux 2.a Schaltergesteuerte Funktion für Hammer-schere 2 스위치 제어 - 해머 및 시어 Func. no. 2 de mando interupptor para mart.-cizalla			
8278557		Servo control pattern change for lever control Échange fonct. contrôleur de translation pour levier de Funkt. der Fahrwerks-Steurschalter wechseln für der A 서보 제어 패턴 변환 - 조종 조이스틱 Cambio, func. servomecan. de mando para palanca de			

<b>PRODUCT AND EQUIPMENT VARIANTS</b>	판매사양	Catalogue id	Group
<b>VARIANTES DE PRODUITS ET D'EQUIPMENTS</b>	<b>VARIANTES DE PRODUCTOS Y EQUIPAMIENTOS</b>	<b>56141</b>	<b>1</b>
<b>PRODUKT- UND AUSRÜSTUNGVARIANTEN</b>		Issue	Page
		<b>VOE 7414356141</b>	<b>41</b>

**VOLVO**

**EC210B**

**VOLVO**

**Volvo Construction  
Equipment**

GROUP		Section	Page	GROUP		Section	Page
210	Engine .....	100	49	263	Cooling fan mounting .....	300	115
210	Engine .....	200	51	269	Engine Block Heater .....	200	117
211	Cylinder head .....	100	53				
212	Cylinder block .....	100	55				
212	Crankcase ventilation .....	200	57				
213	Cylinder liner and piston .....	100	59				
214	Valve mechanism .....	100	61				
215	Timing gear casing and gears .....	100	63				
216	Crankshaft and related parts .....	100	65				
216	Flywheel housing .....	200	67				
217	Oil sump .....	100	69				
218	Engine mount .....	100	71				
218	Engine mount .....	200	73				
221	Lubricating oil system .....	100	75				
223	Oil cooler .....	100	77				
233	Fuel pump .....	100	79				
234	Fuel tank with fitting parts .....	100	81				
234	Fuel filling pump with assembling details .....	300	83				
235	Fuel pipe - Fuel tank .....	100	87				
236	Fuel injection pump with fitting parts .....	100	89				
237	Fuel lines and injectors .....	100	91				
251	Inlet manifold and exhaust manifold .....	100	93				
252	Exhaust system .....	100	95				
255	Turbocharger with fitting parts .....	100	97				
256	Inlet system .....	100	99				
258	Charge air cooler, plumbing .....	200	101				
261	Cooling system .....	100	103				
261	Radiator .....	300	105				
261	Coolant filter .....	400	109				
262	Water pump and thermostat housing .....	100	111				
263	Belt transmission .....	100	113				

<b>INDEX OF CONTENTS</b>	Catalogue id <b>56141</b>	Group <b>200</b>
	Issue <b>VOE 7414356141</b>	Page <b>43</b>

## TABLE DES MATIÈRES

Catalogue id <b>56141</b>	Group <b>200</b>
Issue <b>VOE 7414356141</b>	Page <b>44</b>

GROUPE	Section	Page	GROUPE	Section	Page		
210	Moteur .....	100	49	263	Ventilateur, montage .....	300	115
210	Moteur .....	200	51	269	Chauffe-moteur .....	200	117
211	Culasse .....	100	53				
212	Bloc-cylindres .....	100	55				
212	Ventilation de carter .....	200	57				
213	Chemise cylindre et piston .....	100	59				
214	Commande des soupapes .....	100	61				
215	Carter de distribution et engrenage .....	100	63				
216	Axe à vilebrequins .....	100	65				
216	Carter de volant .....	200	67				
217	Carter d'huile .....	100	69				
218	Support moteur .....	100	71				
218	Support moteur .....	200	73				
221	Système de graissage .....	100	75				
223	Radiateur d'huile .....	100	77				
233	Pompe Carburant .....	100	79				
234	Réservoir de carburant avec pièces de montage .....	100	81				
234	Pompe rempl carburant avec pièces de montage .....	300	83				
235	Conduit de carburant - Réservoir de carburant .....	100	87				
236	Pompe d'injection de combustible avec piècesde montage .....	100	89				
237	Canalisation à combustible, injecteur .....	100	91				
251	Tubulure admission et tubulure echappement .....	100	93				
252	Système d'échappement .....	100	95				
255	Turbocompresseur avec pièces de montage .....	100	97				
256	Système d'aspiration .....	100	99				
258	Echangeur intermédiaire, plombage .....	200	101				
261	Système de refroidissement .....	100	103				
261	Radiateur .....	300	105				
261	Filtre à liquide de refroidissement .....	400	109				
262	Pompe à eau et boîtier thermostat .....	100	111				
263	Transmission courroie .....	100	113				

GRUPPE	Abschnitt	Seite	GRUPPE	Abschnitt	Seite		
210	Motor .....	100	49	263	Sauglüfter, Montage .....	300	115
210	Motor .....	200	51	269	Motorwärmer .....	200	117
211	Zylinderkopf .....	100	53				
212	Zylinderblock .....	100	55				
212	Kurbelgehäusebelüftung .....	200	57				
213	Zylinderlaufbuchse und Kolben .....	100	59				
214	Ventilmechanismus .....	100	61				
215	Stirnradgehäuse und Nabenvorgelege .....	100	63				
216	Kurbelbewegung .....	100	65				
216	Schwungradgehäuse .....	200	67				
217	Ölwanne .....	100	69				
218	Motorbefestigung .....	100	71				
218	Motorbefestigung .....	200	73				
221	Schmierölsystem .....	100	75				
223	Ölkühler .....	100	77				
233	Kraftstoffpumpe .....	100	79				
234	Kraftstofftank mit Anbauteilen .....	100	81				
234	Tankpumpe mit Anbauteilen .....	300	83				
235	Kraftstoffrohr - Kraftstofftank .....	100	87				
236	Einspritzpumpe mit Anbauteilen .....	100	89				
237	Brennstoffrohre .....	100	91				
251	Ansaugrohr und Auspuffkrümmer .....	100	93				
252	Auspuffanlage .....	100	95				
255	Torbolader mit Anbauteilen .....	100	97				
256	Ansaugsystem .....	100	99				
258	Ladeluftkühler, Rohre .....	200	101				
261	Kühlanlage .....	100	103				
261	Heizung .....	300	105				
261	Kühlmittelfilter .....	400	109				
262	Wasserpumpe und Thermostatgehäuse .....	100	111				
263	Riemenantrieb .....	100	113				

## INHALTSVERZEICHNIS

Catalogue id <b>56141</b>	Group <b>200</b>
Issue <b>VOE 7414356141</b>	Page <b>45</b>

목차		Catalogue id <b>56141</b>	Group <b>200</b>
		Issue <b>VOE 7414356141</b>	Page <b>46</b>
그룹	소분류 쪽번호	그룹	소분류 쪽번호

210 엔진.....	100	49	263 냉각 팬 장착.....	300	115
210 엔진.....	200	51	269 엔진 블록 히터.....	200	117
211 실린더 헤드.....	100	53			
212 실린더 블록.....	100	55			
212 크랭크케이스 벤티레이션.....	200	57			
213 실린더 라이너 및 피스톤.....	100	59			
214 밸브 작동장치.....	100	61			
215 타이밍 기어 케이싱 및 기어.....	100	63			
216 크랭크 샤프트 및 관련 부품.....	100	65			
216 플라이휠 하우징.....	200	67			
217 오일 섬프.....	100	69			
218 엔진 장착 부품.....	100	71			
218 엔진 장착 부품.....	200	73			
221 윤활 장치.....	100	75			
223 오일 쿨러.....	100	77			
233 연료 펌프.....	100	79			
234 연료 탱크 및 장착 부품.....	100	81			
234 연료 주입 펌프 및 장착 부품.....	300	83			
235 연료 흡입 및 리턴 배관.....	100	87			
236 연료 분사 펌프 장착 부품.....	100	89			
237 연료라인 및 인젝터.....	100	91			
251 흡기 매니홀드 및 배기 매니홀드.....	100	93			
252 배기 장치.....	100	95			
255 터보 과급기 및 장착 부품.....	100	97			
256 흡기 장치.....	100	99			
258 차지 에어 쿨러 배관.....	200	101			
261 냉각장치.....	100	103			
261 라디에이터.....	300	105			
261 냉각수 필터.....	400	109			
262 냉각수 펌프 및 항온기 하우징.....	100	111			
263 벨트 트랜스미션.....	100	113			

GRUPO		Sección	Página	GRUPO		Sección	Página
210	Motor .....	100	49	263	Ventilador, montaje .....	300	115
210	Motor .....	200	51	269	Calefactor .....	200	117
211	Culata .....	100	53				
212	Bloque de cilindros .....	100	55				
212	Ventilación del cárter .....	200	57				
213	Camisa y piston .....	100	59				
214	Mecanismo de v�lvulas .....	100	61				
215	Caja de distribuci�n y engranajes .....	100	63				
216	Cig�e�al .....	100	65				
216	Carcasa del volante .....	200	67				
217	C�rter .....	100	69				
218	Suspensi�n del motor .....	100	71				
218	Suspensi�n del motor .....	200	73				
221	Sistema de lubricaci�n .....	100	75				
223	Enfriador de aceite .....	100	77				
233	Bomba de combustible .....	100	79				
234	Dep�sito de combustible con accesorios de montaje .....	100	81				
234	Bomba de llenado con accesorios de montaje .....	300	83				
235	Tubo de combustible - Dep�sito de combustible .....	100	87				
236	Bomba de inyecci�n de accesorisde montaje .....	100	89				
237	Tuber�as de combustible, inyector .....	100	91				
251	Tubo admisi�n y m�ltiple escape .....	100	93				
252	Sistema de escape .....	100	95				
255	Turboalimentador con accesorios de montaje .....	100	97				
256	Sistema de aspiraci�n .....	100	99				
258	Enfriador del aire de admisi�n, tuber�as .....	200	101				
261	Sistema de refrigeraci�n .....	100	103				
261	Radiador .....	300	105				
261	Filtro de refrigerante .....	400	109				
262	Bomba de agua y caja de termostato .....	100	111				
263	Correa distribuci�n .....	100	113				

INDICE

Catalogue id	Group
<b>56141</b>	<b>200</b>
Issue	Page
<b>VOE 7414356141</b>	<b>47</b>



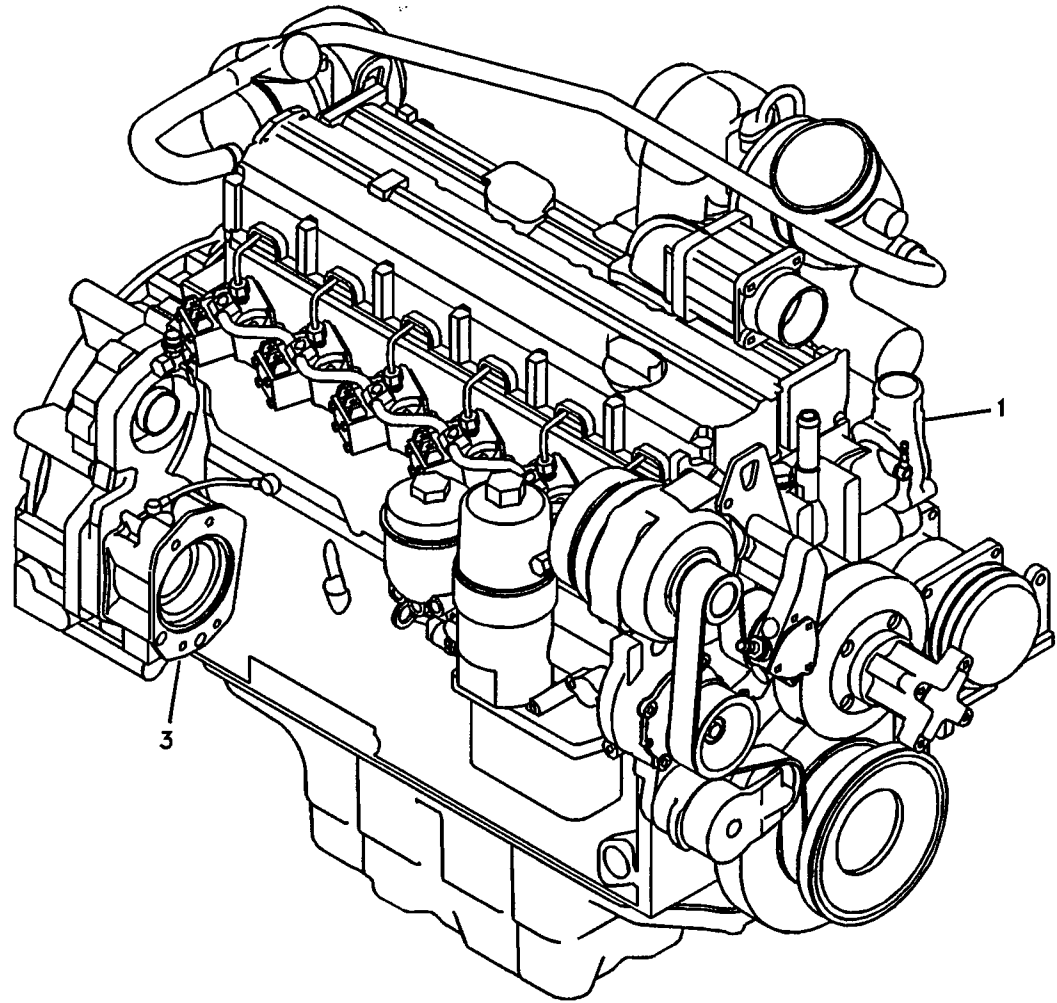
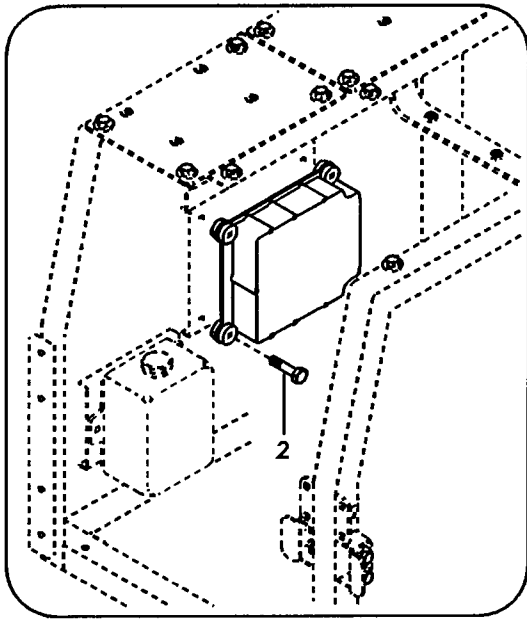
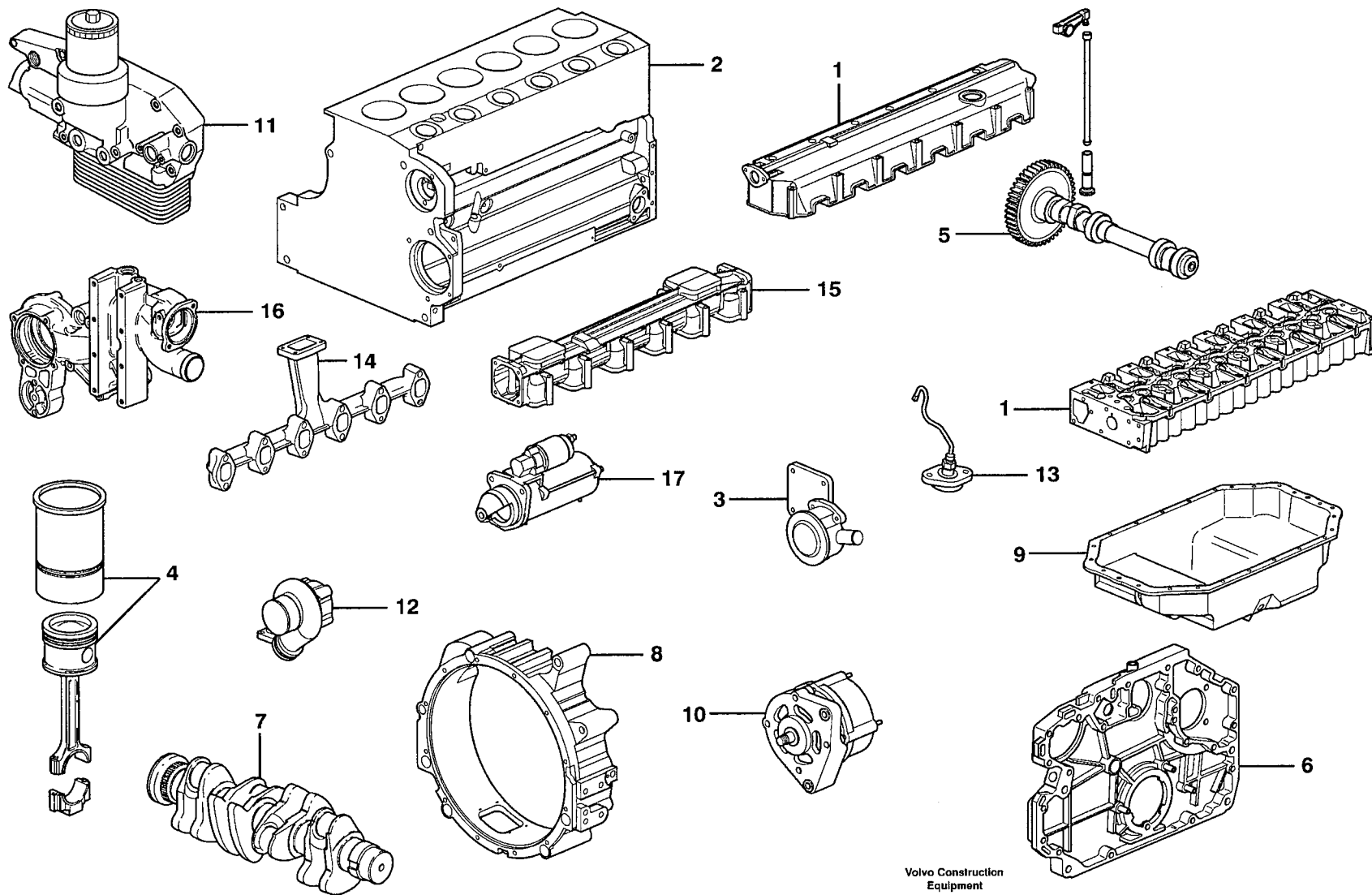


Fig.	Part No.	Quantity			P S	K I T	Description	Dénomination	Bezeichnung	품명	Denominación	Notes
		1	2	3								
1	VOE 14500388	1				Engine.....	Moteur.....	Verbrenn Motor .....	엔진 .....	Motor.....	See group 210, Page 51	
2	VOE 983245	4				Screw.....	Vis .....	Schraube .....	스크류 .....	Tornillo.....		
3	VOE 14512729		1			Power Take-off.....	Prise Force.....	Nebenantrieb.....	동력 인출 장치 .....	Toma Fuerza.....		

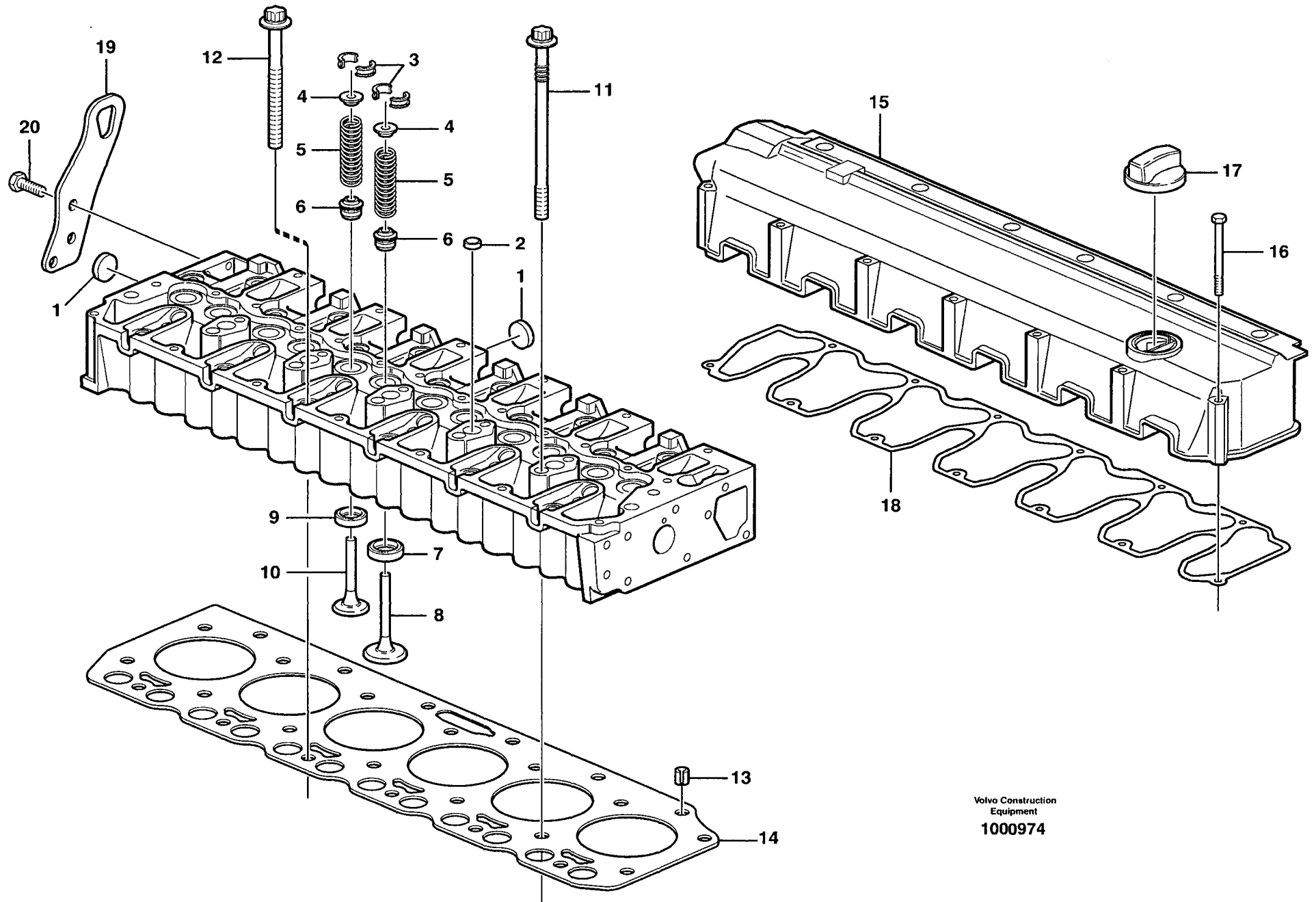
1	8277784	<b>Motor</b> 엔진 <b>Motor</b> <b>Moteur</b> <b>Engine</b>	Catalogue id	Group
2	8277864		<b>56141</b>	<b>210</b>
3			Illustr. No	Section
4			<b>TA101</b>	<b>100</b>
5			Issue	Page
			<b>VOE 7414356141</b>	<b>49</b>



Volvo Construction  
 Equipment  
 1000973

Fig.	Part No.	Quantity			P S	K I T	Description	Dénomination	Bezeichnung	품명	Denominación	Notes
		1	2	3								
					NS	Engine.....	Moteur.....	Verbrenn Motor.....	엔진.....	Motor.....		
1	1					•Cylinder head .....	•Culasse.....	•Zylinderkopf .....	•실린더 헤드.....	•Culata.....		
2	1					•Cylinder block .....	•Bloc-cylindres .....	•Zylinderblock.....	•실린더 블록.....	•Bloque cilindro.....		
3	1					•Crankcase ventilatio .....	•Aération de carter .....	•Kurbelgehäuse,entlü.....	•크랭크케이스 벤티레이션.....	•Ventilación del ca.....		
4	6					•Cylinder liner.....	•Chemise cylind. ....	•Zylinderbuchse.....	•실린더 라이너 .....	•Camisa.....		
5	1					•Valve mechanism .....	•Commande des sou.....	•Mecanismo de valvul.....	•밸브 작동장치 .....	•Ventilmechanismus.....		
6	1					•Timing gear casing ...	•Carter distribution .....	•Steuergehäuse.....	•타이밍 기어 케이스 .....	•Cubierta distribucion.....		
7	1					•Crankshaft .....	•Vilebrequin.....	•Räderkasten Kubelw.....	•크랭크 샤프트 .....	•Cigüeñal.....		
8	1					•Flywheel Hsg .....	•Carter Volant.....	•Schwungradgeh.....	•플라이휠 하우스 .....	•Cubiert Volante.....		
9	1					•Oil sump .....	•Carter d'huile.....	•Ölsumpf.....	•오일 셉프.....	•Carter de aceite.....		
10	1					•Alternator with fitti .....	•Dynamo avec pièces .....	•Lichtmaschine mit A.....	•알터네이터 장착부품.....	•Alternador con acces.....		
11	1					•Oil cooler .....	•Radiateur huile.....	•Ölkühler.....	•오일 쿨러.....	•Enfriador aceite.....		
12	1					•Turbocharger .....	•Turbocompresse.....	•Turbolader.....	•터보과급기 .....	•Turbocompresor.....		
13	6					•Fuel lines, injectors...	•Conduits de carbura .....	•Kraftstoffrohr, Einsp.....	•인젝터 연료라인 .....	•Tubos de combustib.....		
14	1					•Inlet pipe .....	•Tubulure.....	•Einlassrohr.....	•흡기 파이프 .....	•Tubo admision.....		
15	1					•Exhaust pipe .....	•Tuyau echappem.....	•Abgasschlauch.....	•배기관 .....	•Tubo escape.....		
16	1					•Water pump and ther.....	•Pompe a eau et boiti.....	•Wasserpumpe und .....	•냉각수 펌프 및 황온기.....	•Bomba de agua y caj.....		
17	1					•Starter motor.....	•Demarreur.....	•Anlasser.....	•시동 모터.....	•Motor arranque.....		

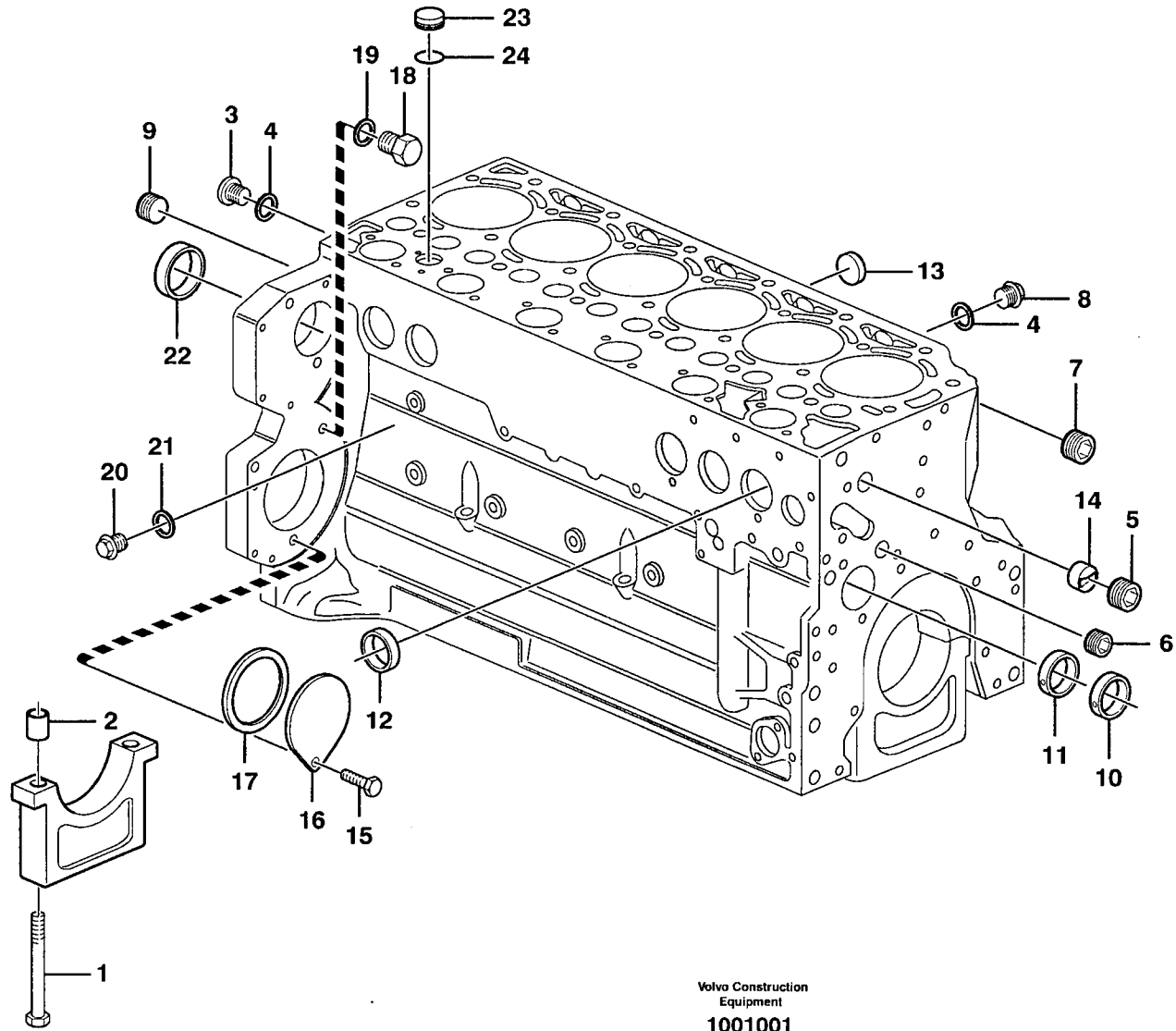
1	8277784	<b>Motor</b> 엔진 <b>Motor</b> <b>Moteur</b> <b>Engine</b>	Catalogue id	Group
2			<b>56141</b>	<b>210</b>
3			Illustr. No	Section
4			<b>1000973</b>	<b>200</b>
5			Issue	Page
			<b>VOE 7414356141</b>	<b>51</b>



Volvo Construction  
Equipment  
1000974

Fig.	Part No.	Quantity			P S	K I T	Description	Dénomination	Bezeichnung	품명	Denominación	Notes
		1	2	3								
	VOE 20459858	1					Cylinder Head .....	Culasse .....	Zylinderkopf .....	실린더 헤드 .....	Culata.....	
1	VOE 11700258	5					•Plug .....	•Bouchon.....	•Stopfen .....	•플러그 .....	•Tapon.....	(VOE 20450767)
2	VOE 11700344	5					•Plug .....	•Bouchon.....	•Stopfen .....	•플러그 .....	•Tapon.....	
3	VOE 20459857	24					•Valve Collet .....	•Clavett.soupape.....	•Ventilschloss .....	•밸브 콜릿.....	•Cierre Valvula.....	
4	VOE 20459860	12					•Washer .....	•Rondelle.....	•Scheibe .....	•와셔 .....	•Arandela.....	
5	VOE 20459851	12					•Valve Spring .....	•Ressort Soupape .....	•Ventilfeder.....	•밸브 스프링 .....	•Resorte Valvula.....	
6	VOE 20459855	12					•Valve Seal .....	•Joint Soupape.....	•Ventildichtung .....	•밸브 시일.....	•Reten Valvula.....	
7	VOE 20459852	6					•Valve seat.....	•Siege de soupape.....	•Ventilsitz.....	•밸브 시트.....	•Asiento de valvula....	
8	VOE 20459862	6					•Inlet Valve .....	•Soupape d'entree .....	•Einlassventil.....	•흡기 밸브.....	•Valvula de entrada...	
9	VOE 20459861	6					•Exhaust Valve.....	•Soupape Echapp. ....	•Auslassventil .....	•배기 밸브.....	•Valvula Escape.....	
10	VOE 20459854	6					•Valve seat.....	•Siege de soupape.....	•Ventilsitz.....	•밸브 시트.....	•Asiento de valvula....	
11	VOE 20459837	7					Bolt.....	Boulon .....	Bolzen .....	볼트 .....	Perno.....	
12	VOE 20459838	19					Bolt.....	Boulon .....	Bolzen .....	볼트 .....	Perno.....	
13	VOE 20459839	2					Bushing .....	Bague .....	Buchse .....	부싱 .....	Casquillo.....	
14	VOE 20459843	1					Cyl Head Gasket.....	Joint Culasse .....	Zyl Kopfdichtfg .....	실린더 헤드 가스켓 .....	Junta Culata.....	1,25mm
	VOE 20459844	1					Cyl Head Gasket.....	Joint Culasse .....	Zyl Kopfdichtfg .....	실린더 헤드 가스켓 .....	Junta Culata.....	1,41mm
	VOE 20459845	1					Cyl Head Gasket.....	Joint Culasse .....	Zyl Kopfdichtfg .....	실린더 헤드 가스켓 .....	Junta Culata.....	1,52mm
15	VOE 20459829	1					Valve Cover .....	Cache-soupapes.....	Zylkopfhaube.....	밸브 커버 .....	Cubier Valvula.....	
16	VOE 20459830	13					Screw .....	Vis .....	Schraube .....	스크류 .....	Tornillo.....	
17	VOE 11700341	1					Filler Cap.....	Bouchon Rempli.....	Tankverschluss .....	주유구 캡 .....	Tapa Llenado.....	
18	VOE 20459828	1					Gasket.....	Joint .....	Dichtung .....	가스켓 .....	Junta.....	
19		1			NS		Lifting eye.....	Oeillet levage .....	Hebeöse.....	리프팅 아이 .....	Argolla elevacion.....	
20	VOE 20450856	3					Screw .....	Vis .....	Schraube .....	스크류 .....	Tornillo.....	

1	8277784	<b>Culata</b> 실린더 헤드 <b>Zylinderkopf</b> <b>Culasse</b> <b>Cylinder head</b>	Catalogue id	Group
2			<b>56141</b>	<b>211</b>
3			Illustr. No	Section
4			<b>1000974</b>	<b>100</b>
5			Issue	Page
			<b>VOE 7414356141</b>	<b>53</b>

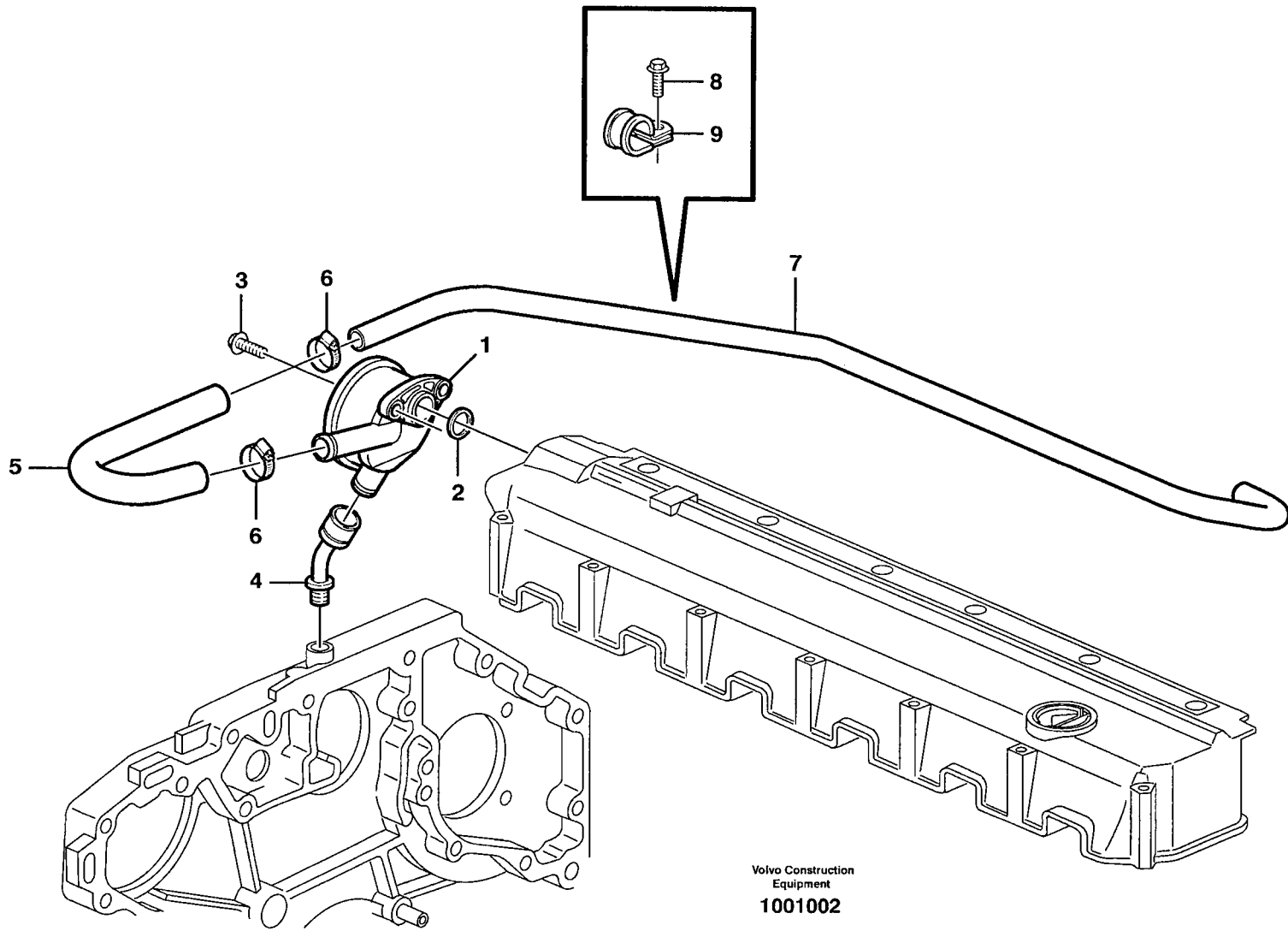


Volvo Construction  
 Equipment  
 1001001

Fig.	Part No.	Quantity			P S	K I T	Description	Dénomination	Bezeichnung	품명	Denominación	Notes
		1	2	3								
	VOE 20460003	1				Cylinder Block	Bloc-cylindres	Zylinderblock	실린더 블록	Bloque Cilindro		
1	VOE 20460006	14				•Screw	•Vis	•Schraube	•스크류	•Tornillo		
2	VOE 20460001	14				•Bushing	•Bague	•Buchse	•부싱	•Casquillo		
3	VOE 20460000	1				•Plug	•Bouchon	•Stopfen	•플러그	•Tapon		
4	VOE 13969011	3				•Gasket	•Joint	•Dichtung	•가스켓	•Junta		
5	VOE 20405717	1				•Plug	•Bouchon	•Stopfen	•플러그	•Tapon		
6	VOE 20405719	1				•Plug	•Bouchon	•Stopfen	•플러그	•Tapon		
7	VOE 20405718	2				•Plug	•Bouchon	•Stopfen	•플러그	•Tapon		
8		2			NS	•Plug	•Bouchon	•Stopfen	•플러그	•Tapon		
9	VOE 20405722	1				•Plug	•Bouchon	•Stopfen	•플러그	•Tapon		
10	VOE 20459999	6				•Cmsht Bushing	•Bag.arbre Cames	•Nockenw Buchse	•캠 축 부싱	•Casqui Arb Lev		
11	VOE 20459998	1				•Cmsht Bushing	•Bag.arbre Cames	•Nockenw Buchse	•캠 축 부싱	•Casqui Arb Lev		
12	VOE 20405721	9				•Core Plug	•Ronde.fermeture	•Fullscheibe	•코어 플러그	•Tapon		
13	VOE 11700258	6				•Plug	•Bouchon	•Stopfen	•플러그	•Tapon	(VOE 20450767)	
14	VOE 20405584	1				•Guide Sleeve	•Manchon guide	•Führungshülse	•슬리브 가이드	•Manguito guia		
	VOE 20405906	1				•Guide Sleeve	•Manchon guide	•Führungshülse	•슬리브 가이드	•Manguito guia		
15	VOE 20441518	1				Flange Screw	Vis A Bride	Flanschschraube	플랜지 스크류	Torn Embridado		
16	VOE 20459898	1				Cover	Capot	Haube	커버	Capo		
17	VOE 20412359	1				Sealing Ring	Bagu.etancheite	Runddichtring	시일 링	Anillo Reten		
18	VOE 20441859	1				Plug	Bouchon	Stopfen	플러그	Tapon		
19	VOE 13947281	1				Gasket	Joint	Dichtung	가스켓	Junta		
20	VOE 20405716	1				Plug	Bouchon	Stopfen	플러그	Tapon		
21	VOE 13947621	1				Plane Gasket	Joint Plan	Plandichtung	평 가스켓	Junta Plana		
22	VOE 20450778	1				Core Plug	Ronde.fermeture	Fullscheibe	코어 플러그	Tapon		
23	VOE 20450779	1				Plug	Bouchon	Stopfen	플러그	Tapon		
24	VOE 20405728	1				Sealing Ring	Bagu.etancheite	Runddichtring	시일 링	Anillo Reten		

1	8277784	<b>Bloque de cilindros</b> 실린더 블록 <b>Zylinderblock</b> <b>Bloc-cylindres</b> <b>Cylinder block</b>	Catalogue id	Group
2			<b>56141</b>	<b>212</b>
3			Illustr. No	Section
4			<b>1001001</b>	<b>100</b>
5			Issue	Page
			<b>VOE 7414356141</b>	<b>55</b>

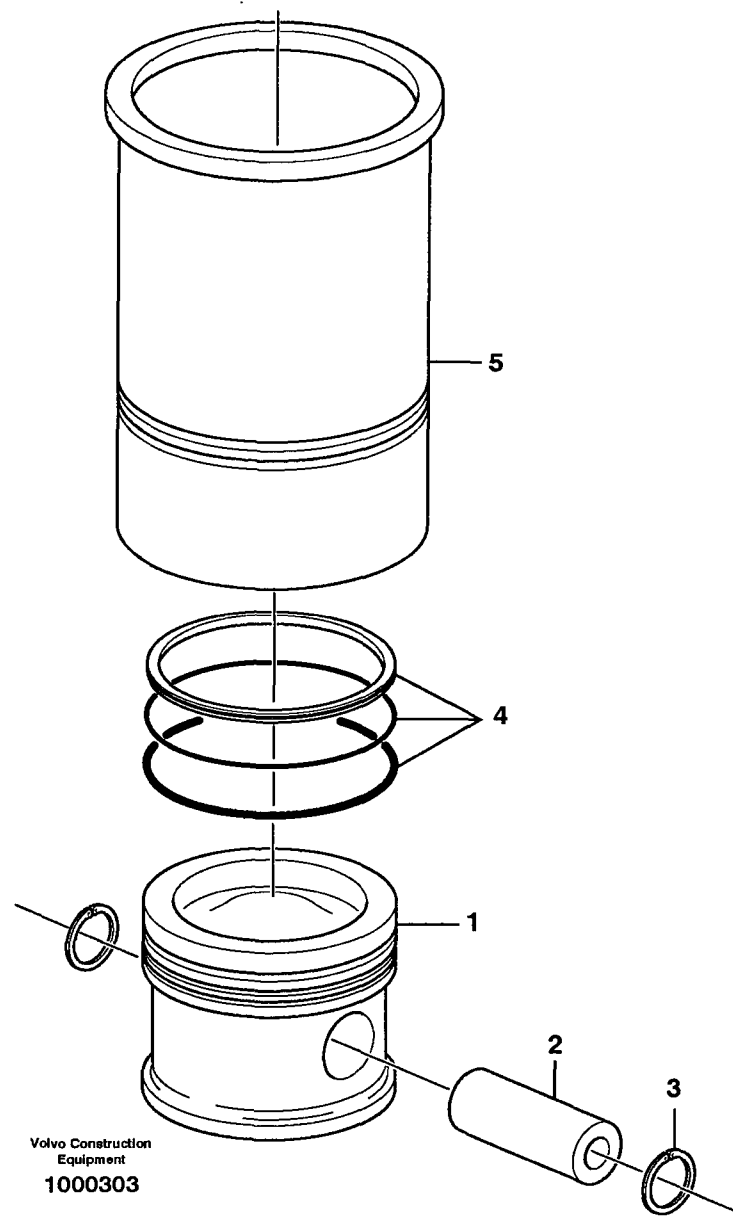




Volvo Construction  
Equipment  
1001002

Fig.	Part No.	Quantity			P S	K I T	Description	Dénomination	Bezeichnung	품명	Denominación	Notes
		1	2	3								
1	VOE 20459252	1				Press Regulator .....	Regulateu Press .....	Druckregler .....	프레스 레귤레이터 .....	Regul Presion.....		
2	VOE 20405627	1				Gasket.....	Joint .....	Dichtung .....	가스켓 .....	Junta.....		
3	VOE 20459182	2				Screw .....	Vis .....	Schraube .....	스크류 .....	Tornillo.....		
4	VOE 20405938	1				Connector .....	Raccord.....	Anschluss .....	커넥터 .....	Union.....		
5	VOE 20459255	1				Tube.....	Tube.....	Rohr .....	튜브 .....	Tube.....		
6	VOE 20405755	3				Clamping Band .....	Ruban Serrage.....	Spannband .....	클램핑 밴드 .....	Banda Apriete.....		
7	VOE 20459257	1				Breather Pipe .....	Reniflard.....	Luftungsrohr .....	브리더 파이프 .....	Conduct Ventil.....		
8	VOE 20460055	1				Screw .....	Vis .....	Schraube .....	스크류 .....	Tornillo.....		
9	VOE 20405532	1				Clamp.....	Pince Serrage .....	Klemme .....	클램프 .....	Abrazadera.....		

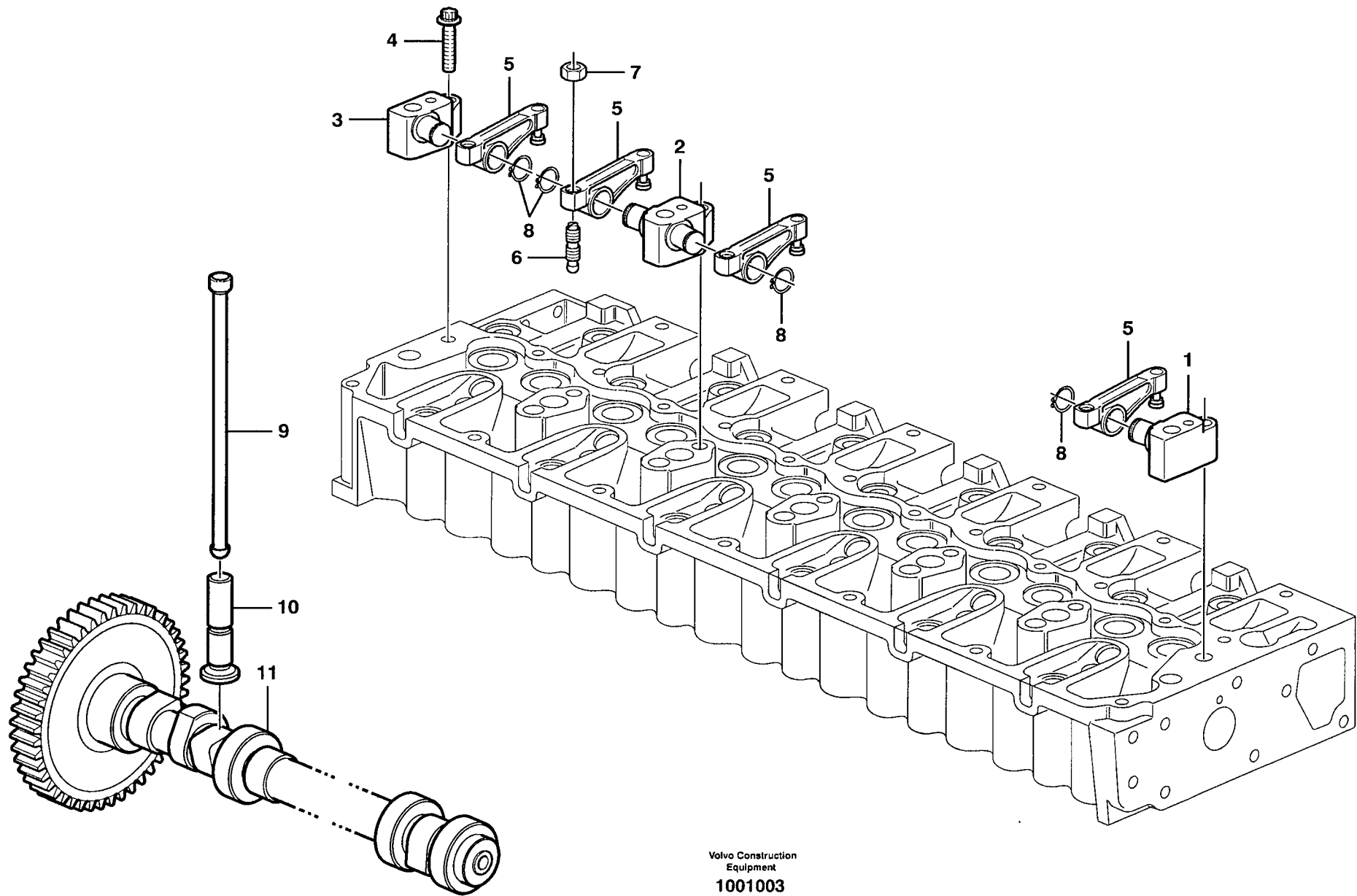
1	8277784	<b>Ventilación del cárter</b>	Catalogue id	Group
2		크랭크케이스 벤티레이션	<b>56141</b>	<b>212</b>
3		<b>Kurbelgehäusebelüftung</b>	Illustr. No	Section
4		<b>Ventilation de carter</b>	<b>1001002</b>	<b>200</b>
5		<b>Crankcase ventilation</b>	Issue	Page
			<b>VOE 7414356141</b>	<b>57</b>



Volvo Construction  
Equipment  
1000303

Fig.	Part No.	Quantity			P S	K I T	Description	Dénomination	Bezeichnung	품명	Denominación	Notes
		1	2	3								
1	VOE 20460025	6				Piston .....	Piston .....	Kolben .....	피스톤 .....	Piston.....		
2	VOE 20460009	6				•Piston Pin .....	•Axe Piston.....	•Kolbenbolzen .....	•피스톤 핀.....	•Bulon.....		
3	VOE 20460010	12				•Snap Ring.....	•Circlip.....	•Nutring .....	•스냅 링 .....	•Circlip.....		
4	VOE 20460011	6				•Piston Ring Kit .....	•Jeu Segm.piston.....	•Kolbenringsatz .....	•피스톤 링 키트.....	•Jg Segm Piston.....		
5	VOE 20459997	6				Cylinder Liner.....	Chemise Cylind.....	Zyl Buchse.....	실린더 라이너 .....	Camisa.....		

1	8277784	<b>Camisa y piston</b> 실린더 라이너 및 피스톤 <b>Zylinderlaufbuchse und Kolben</b> <b>Chemise cylindre et piston</b> <b>Cylinder liner and piston</b>	Catalogue id	Group
2			<b>56141</b>	<b>213</b>
3			Illustr. No	Section
4			<b>1000303</b>	<b>100</b>
5			Issue	Page
			VOE 7414356141	<b>59</b>



Volvo Construction  
Equipment  
**1001003**

Fig.	Part No.	Quantity			P S	K T	Description	Dénomination	Bezeichnung	품명	Denominación	Notes
		1	2	3								
1	VOE 20459848	1					Bracket.....	Console.....	Konsole.....	브라켓.....	Ménsula.....	
2	VOE 20459847	5					Bracket.....	Console.....	Konsole.....	브라켓.....	Ménsula.....	
3	VOE 20459849	1					Bracket.....	Console.....	Konsole.....	브라켓.....	Ménsula.....	
4	VOE 20459853	7					Screw.....	Vis.....	Schraube.....	스크류.....	Tornillo.....	
5	VOE 20459850	12					Rocker Arm.....	Culbuteur.....	Kipphebel.....	로커 암.....	Balancin.....	
6	VOE 20405524	12					Screw.....	Vis.....	Schraube.....	스크류.....	Tornillo.....	
7	VOE 11700373	12					Nut.....	Ecrou.....	Mutter.....	너트.....	Tuerca.....	
8	VOE 945495	12					Snap Ring.....	Circlip.....	Nutring.....	스냅 링.....	Circlip.....	
9	VOE 20460008	12					Push Rod.....	Tige-poussoir.....	Druckstange.....	푸시로드.....	Varilla Presion.....	
10	VOE 20460007	12					Tappet.....	Poussoir Pompe.....	Pumpdrucker.....	태핏.....	Balancin.....	
11	VOE 20459120	1					Camshaft.....	Arbre a cames.....	Nockenwelle.....	캠축.....	Eje de levas.....	

1	8277784	<b>Mecanismo de vvulas</b> <b>밸브 작동장치</b> <b>Ventilmechanismus</b> <b>Commande des soupapes</b> <b>Valve mechanism</b>	Catalogue id	Group
2			<b>56141</b>	<b>214</b>
3			Illustr. No	Section
4			<b>1001003</b>	<b>100</b>
5			Issue	Page
			<b>VOE 7414356141</b>	<b>61</b>

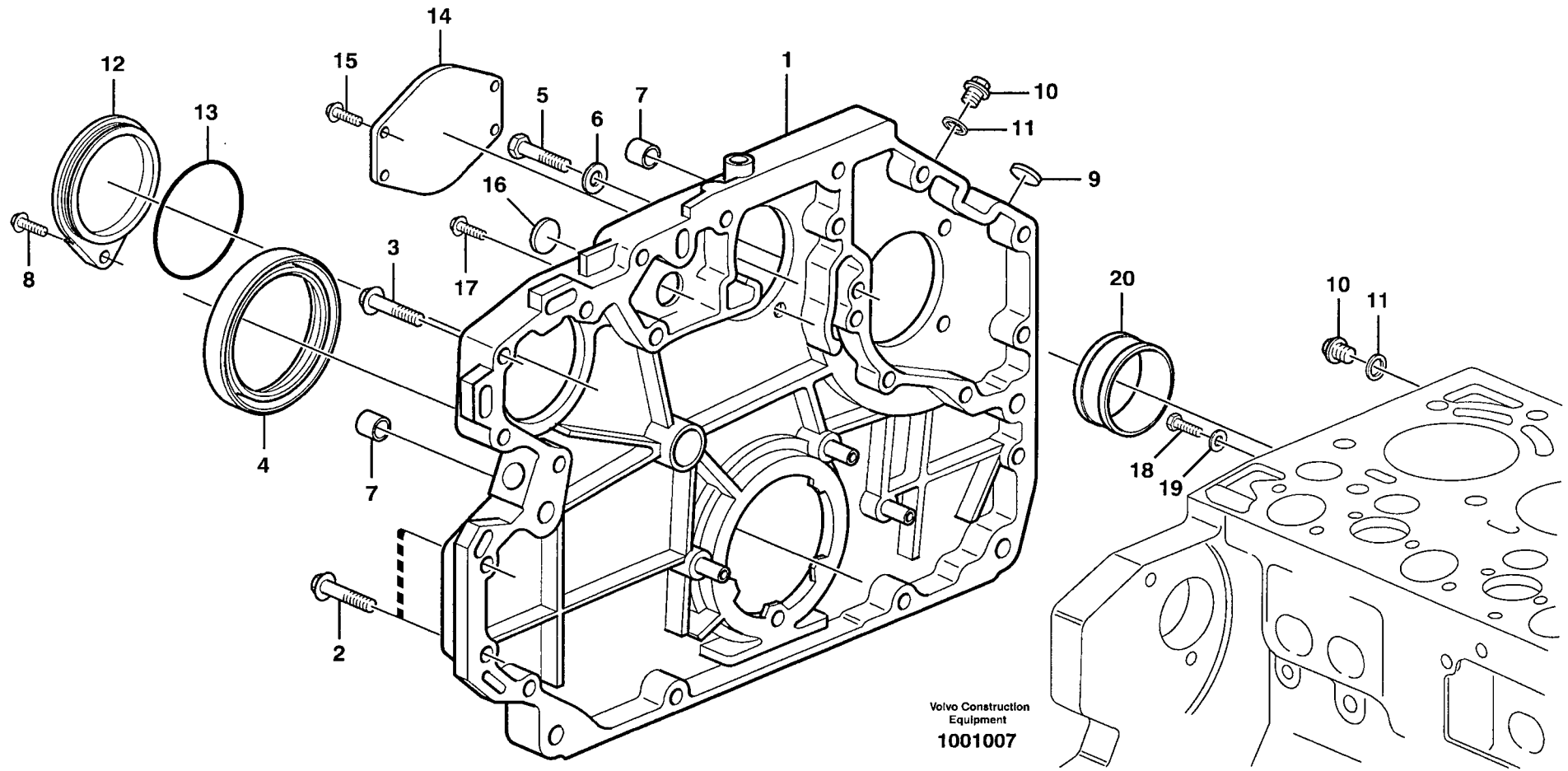
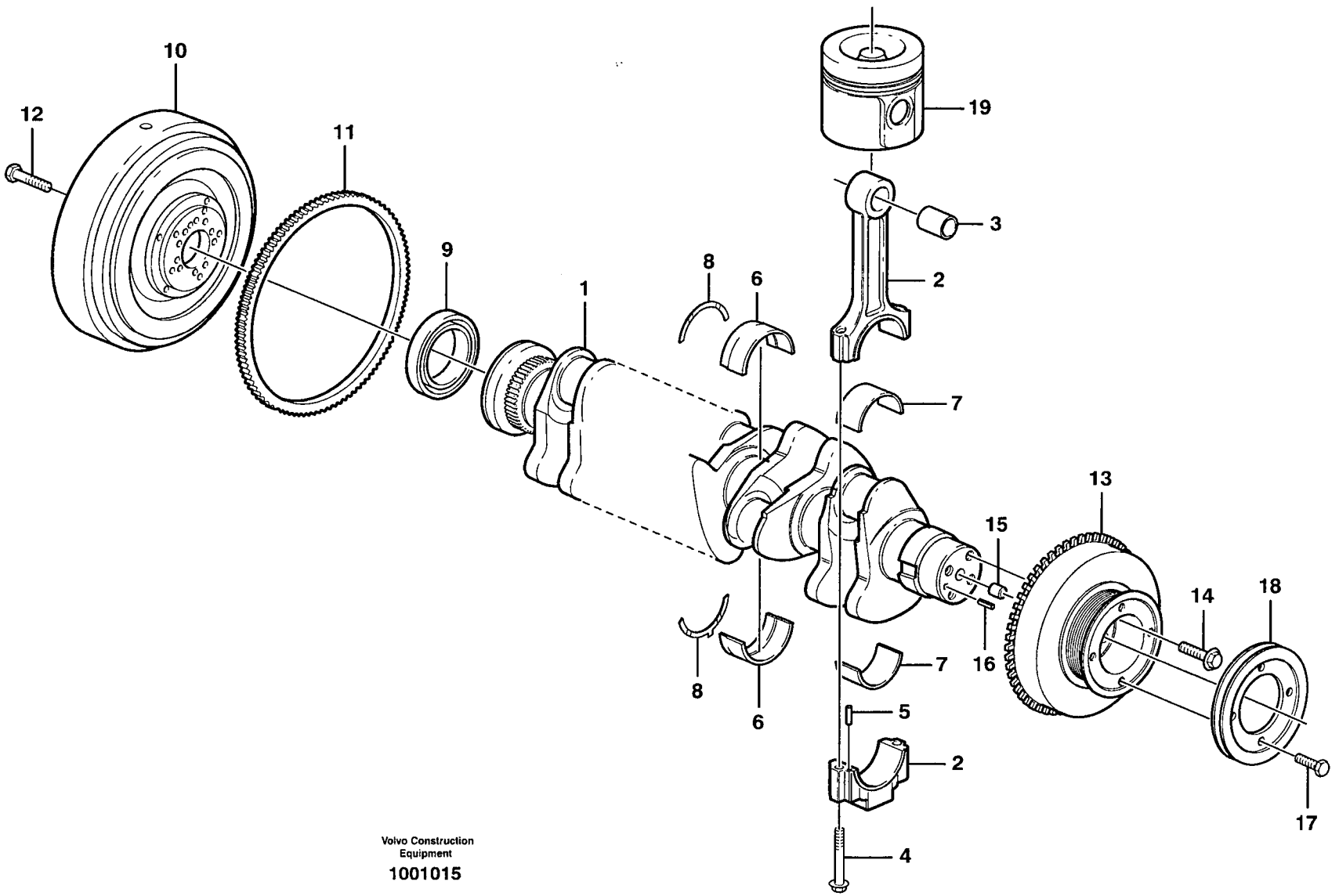


Fig.	Part No.	Quantity			P S	K T	Description	Dénomination	Bezeichnung	품명	Denominación	Notes
		1	2	3								
1	VOE 20482787	1				Tmg Gear Cover .....	Couv.distribut. ....	Steuergeh Deck .....	타이밍 기어 커버 .....	Tapa Distribuc.....		
2	VOE 20412324	12				Screw .....	Vis .....	Schraube .....	스크류 .....	Tornillo.....		
3	VOE 20450801	4				Screw .....	Vis .....	Schraube .....	스크류 .....	Tornillo.....		
4	VOE 20459115	1				Crankshaft Seal .....	Joint Vilebreq. ....	Kurbelw Dichtg.....	크랭크 샤프트 시일 ....	Reten Ciguenal.....		
5	VOE 20405653	2				Screw .....	Vis .....	Schraube .....	스크류 .....	Tornillo.....		
6	VOE 20459117	2				Washer.....	Rondelle.....	Scheibe .....	와셔 .....	Arandela.....		
7	VOE 20405646	2				Bushing.....	Bague.....	Buchse.....	부싱 .....	Casquillo.....		
8	VOE 20405672	1				Screw .....	Vis .....	Schraube .....	스크류 .....	Tornillo.....		
9	VOE 20405605	1				Cover .....	Capot .....	Haube .....	커버 .....	Capa.....		
10	VOE 960630	2				Plug.....	Bouchon.....	Stopfen .....	플러그 .....	Tapon.....		
11	VOE 13947621	2				Plane Gasket .....	Joint Plan .....	Plandichtung .....	평 가스켓.....	Junta Plana.....		
12	VOE 20459901	1				Cover .....	Capot .....	Haube .....	커버 .....	Capa.....		
13	VOE 11700625	1				O-ring .....	Joint Torique .....	O-ring .....	오링 .....	Junta torica.....		
14	VOE 20450799	1				Cover .....	Capot .....	Haube .....	커버 .....	Capa.....		
15	VOE 20405709	4				Screw .....	Vis .....	Schraube .....	스크류 .....	Tornillo.....		
16	VOE 20459907	1				Cover .....	Capot .....	Haube .....	커버 .....	Capa.....		
17	VOE 20450801	1				Screw .....	Vis .....	Schraube .....	스크류 .....	Tornillo.....		
18	VOE 20459908	1				Bolt.....	Boulon.....	Bolzen.....	볼트 .....	Perno.....		
19	VOE 20460087	1				Washer.....	Rondelle.....	Scheibe .....	와셔 .....	Arandela.....		
20	VOE 20460092	1				Bushing.....	Bague.....	Buchse.....	부싱 .....	Casquillo.....		

1	8277784	<b>Caja de distribución y engranajes</b> 타이밍 기어 케이싱 및 기어 <b>Stirnradgehäuse und Nabenvorgelege</b> <b>Carter de distribution et engrenage</b> <b>Timing gear casing and gears</b>	Catalogue id	Group
2			<b>56141</b>	<b>215</b>
3			Illustr. No	Section
4			<b>1001007</b>	<b>100</b>
5			Issue	Page
			<b>VOE 7414356141</b>	<b>63</b>

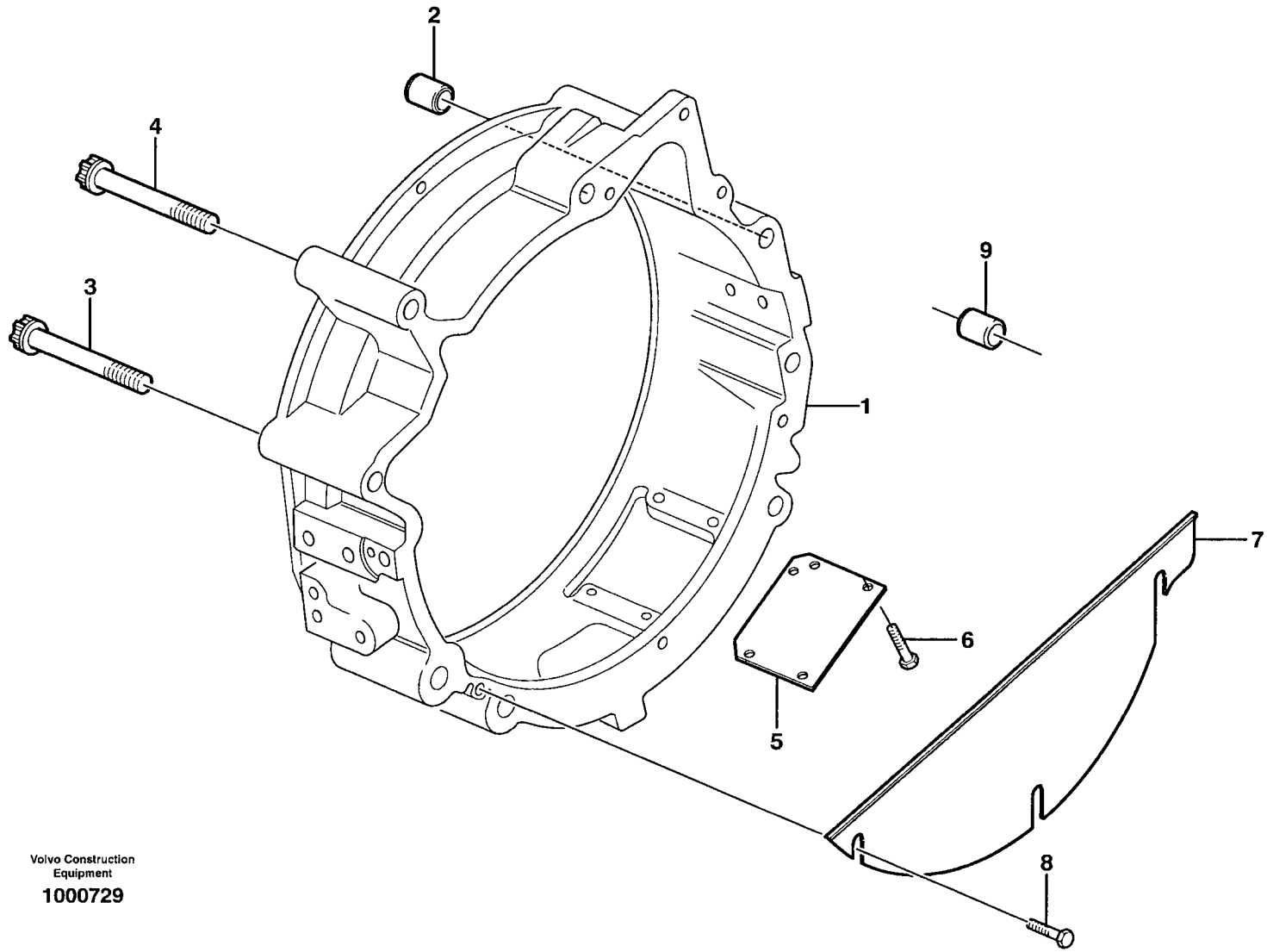




Volvo Construction  
Equipment  
1001015

Fig.	Part No.	Quantity			P S	K I T	Description	Dénomination	Bezeichnung	품명	Denominación	Notes
		1	2	3								
1	VOE 20459146	1				Crankshaft.....	Vilebrequin .....	Kurbelwelle .....	크랭크 샤프트 .....	Ciguenal.....		
2	VOE 20459132	6				Connecting Rod .....	Bielle .....	Pleuel .....	커넥팅 로드 .....	Biela.....		
3		6			NS	•Bushing.....	•Bague .....	•Buchse .....	•부싱 .....	•Casquillo.....		
4	VOE 20459133	12				•Bolt .....	•Boulon.....	•Bolzen .....	•볼트 .....	•Perno.....		
5	VOE 20459134	12				•Locating Pin .....	•Goupille Guide .....	•Führungsstift .....	•로케이터 핀 .....	•Pasador Guia.....		
6	VOE 20459140	5				Main Bearing.....	Pal.vilebrequin .....	Hauptlager .....	메인 베어링 .....	Cojin Bancada.....		
7	VOE 20459141	4				Bearing.....	Palier.....	Lager .....	베어링 .....	Cojinete.....		
8	VOE 20459149	2				Thrust Washer .....	Rondelle Butee .....	Druckscheibe.....	스러스트 와셔 .....	Arandela Presio.....		
9	VOE 20459115	1				Crankshaft Seal .....	Joint Vilebreq. ....	Kurbelw Dichtg.....	크랭크 샤프트 시일 .....	Reten Ciguenal.....		
10	VOE 20450824	1				Flywheel.....	Volant .....	Schwungrad .....	플라이휠 .....	Volante.....		
11	VOE 20405650	1				•Gear.....	•Pignon.....	•Zahnrad.....	•기어 .....	•Engranaje.....		
12	VOE 20405654	10				Bolt.....	Boulon .....	Bolzen .....	볼트 .....	Perno.....		
13	VOE 20459152	1				Pulley .....	Poulie .....	Z-riemenscheibe .....	폴리 .....	Polea Corr Dent.....		
14	VOE 20405724	4				Screw .....	Vis .....	Schraube .....	스크류 .....	Tornillo.....		
15	VOE 20405634	1				Spring Pin .....	Boulon de ressort.....	Federstift .....	스프링 핀 .....	Pasador Resorte.....		
16	VOE 20450628	1				Pin.....	Goupille .....	Zapfen .....	핀 .....	Pasador.....		
17	VOE 20459156	4				Screw .....	Vis .....	Schraube .....	스크류 .....	Tornillo.....		
18	VOE 20459155	1				Pulley .....	Poulie .....	Z-riemenscheibe .....	폴리 .....	Polea Corr Dent.....		
19		1				Piston.....	Piston .....	Kolben .....	피스톤 .....	Piston.....		

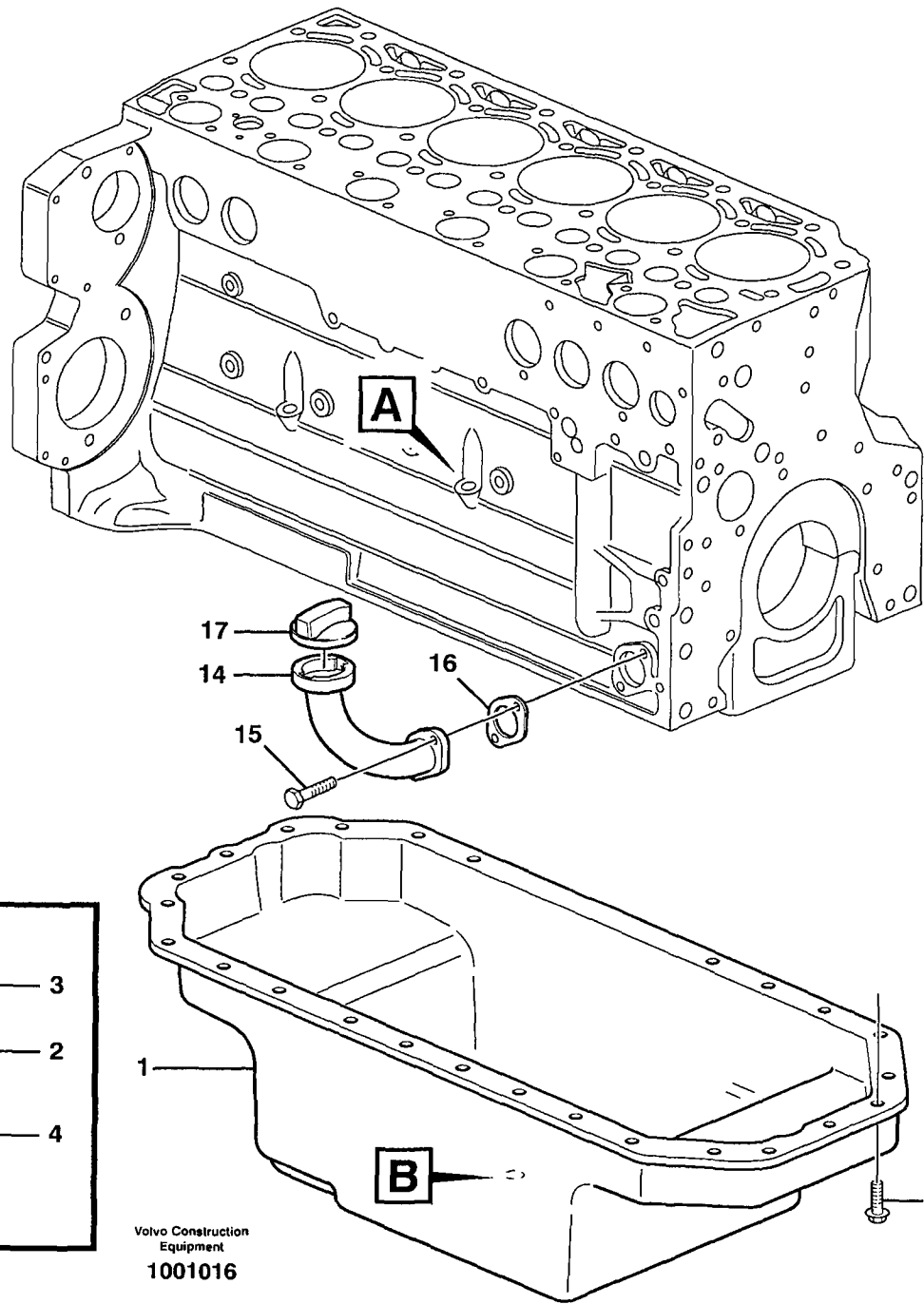
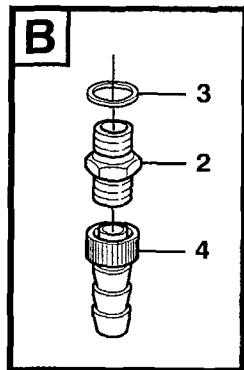
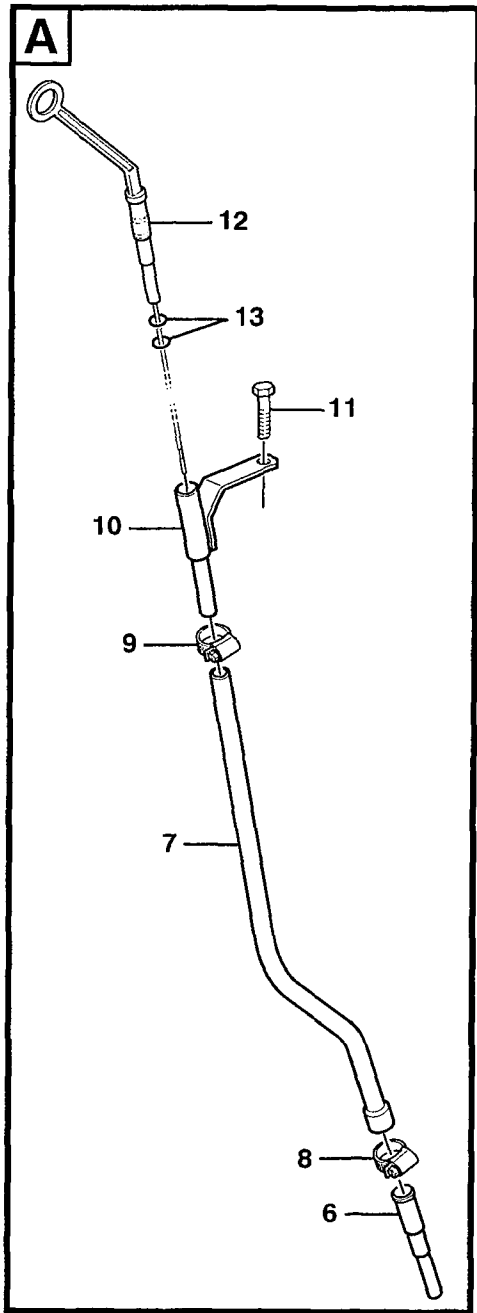
1	8277784	<b>Cigüeñal</b> 크랭크 샤프트 및 관련 부품 <b>Kurbelbewegung</b> <b>Axe à vilebreguintas</b> <b>Crankshaft and related parts</b>	Catalogue id	Group
2			<b>56141</b>	<b>216</b>
3			Illustr. No	Section
4			<b>1001015</b>	<b>100</b>
5			Issue	Page
			<b>VOE 7414356141</b>	<b>65</b>



Volvo Construction  
Equipment  
1000729

Fig.	Part No.	Quantity			P S	K I T	Description	Dénomination	Bezeichnung	품명	Denominación	Notes
		1	2	3								
1	VOE 20405645	1				Flywheel Hsg .....	Carter Volant.....	Schwungradgeh .....	플라이휠 하우징 .....	Cubiert Volante.....		
2	VOE 20405887	2				Bushing .....	Bague.....	Buchse .....	부싱 .....	Casquillo.....		
3	VOE 20459985	2				Screw .....	Vis .....	Schraube .....	스크류 .....	Tornillo.....		
4	VOE 20459984	4				Screw .....	Vis .....	Schraube .....	스크류 .....	Tornillo.....		
5		1			NS	Cover Plate .....	Protection en tole .....	Schutzblech .....	커버 플레이트 .....	Placa Tapa.....		
6	VOE 955269	4				Hexagon Screw.....	Vis Tete Hexago .....	Sechskantschr. ....	스크류 .....	Tornillo Hexago.....		
7		1			NS	Cover .....	Capot .....	Haube .....	커버 .....	Capa.....		
8	VOE 955268	3				Hexagon Screw.....	Vis Tete Hexago .....	Sechskantschr. ....	스크류 .....	Tornillo Hexago.....		
9	VOE 20405646	2				Bushing .....	Bague.....	Buchse .....	부싱 .....	Casquillo.....		

1	8277784	<b>Carcasa del volante</b> 플라이휠 하우징 <b>Schwungradgehäuse</b> <b>Carter de volant</b> <b>Flywheel housing</b>	Catalogue id	Group
2			<b>56141</b>	<b>216</b>
3			Illustr. No	Section
4			<b>1000729</b>	<b>200</b>
5			Issue	Page
			<b>VOE 7414356141</b>	<b>67</b>



Volvo Construction  
Equipment  
1001016

Fig.	Part No.	Quantity			P S	K I T	Description	Dénomination	Bezeichnung	품명	Denominación	Notes
		1	2	3								
1	VOE 20482783	1					Oil sump.....	Carter d'huile.....	Ölsumpf.....	오일 섬프.....	Carter de aceite.....	
2	VOE 20450851	1					Drain Valve .....	Robinet Vidange .....	Ablassventil.....	드레인 밸브 .....	Valvula Drenaje.....	
3	VOE 7011998	1					•Gasket .....	•Joint .....	•Dichtung.....	•가스켓 .....	•Junta.....	
4	VOE 20412596	1					Connector .....	Raccord.....	Anschluss .....	커넥터 .....	Union.....	
5	VOE 20405792	28					Screw .....	Vis .....	Schraube .....	스크류 .....	Tornillo.....	
6	VOE 20459164	1					Guide Tube .....	Tube Guide .....	Führungsrohr.....	가이드 튜브 .....	Tube Guia.....	
7	VOE 20482730	1					Guide Tube .....	Tube Guide .....	Führungsrohr.....	가이드 튜브 .....	Tube Guia.....	
8	VOE 20460214	1					Clamping Band .....	Ruban Serrage.....	Spannband .....	클램핑 밴드 .....	Banda Apriete.....	
9	VOE 20460215	1					Clamping Band .....	Ruban Serrage.....	Spannband .....	클램핑 밴드 .....	Banda Apriete.....	
10	VOE 20482731	1					Bracket.....	Ferrure-support .....	Tragstutse.....	브라켓 .....	Hierro Apoyo.....	
11	VOE 20482732	1					Bolt.....	Boulon.....	Bolzen.....	볼트 .....	Perno.....	
12	VOE 20482782	1					Dipstick .....	Jauge .....	Messtab .....	딥스틱 .....	Varill Medic.....	
13	VOE 20412343	2					•Sealing Ring .....	•Bagu.etancheite.....	•Runddichtring.....	•시일 링 .....	•Anillo Reten.....	
14		1			NS		Filler Neck .....	Tuyau Rempliss .....	Einf-llstutzen .....	필러 넥 .....	Cuello Llenado.....	
15	VOE 20405885	2					Screw .....	Vis .....	Schraube .....	스크류 .....	Tornillo.....	
16		1			NS		Gasket.....	Joint .....	Dichtung .....	가스켓 .....	Junta.....	
17	VOE 20405835	1					Oil Filler Cap .....	Buochon D'huile.....	Ölfulldeckel .....	오일 주유구 캡 .....	Tapa Llen Aceit.....	

1	8277784	<b>Cárter</b> 오일 섬프 <b>Ölwanne</b> Carter d'huile Oil sump	Catalogue id	Group
2			<b>56141</b>	<b>217</b>
3			Illustr. No	Section
4			<b>1001016</b>	<b>100</b>
5			Issue	Page
			<b>VOE 7414356141</b>	<b>69</b>

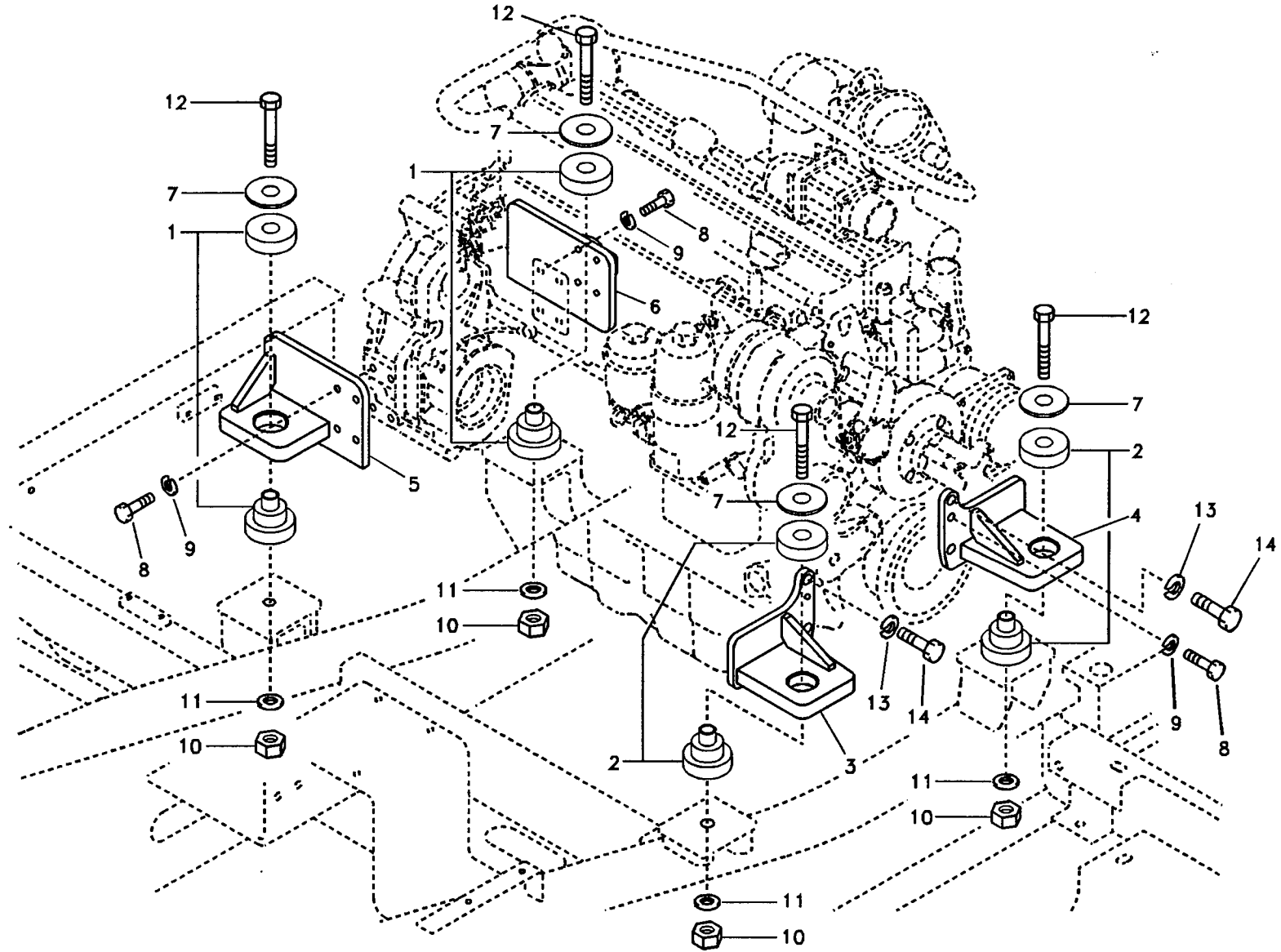
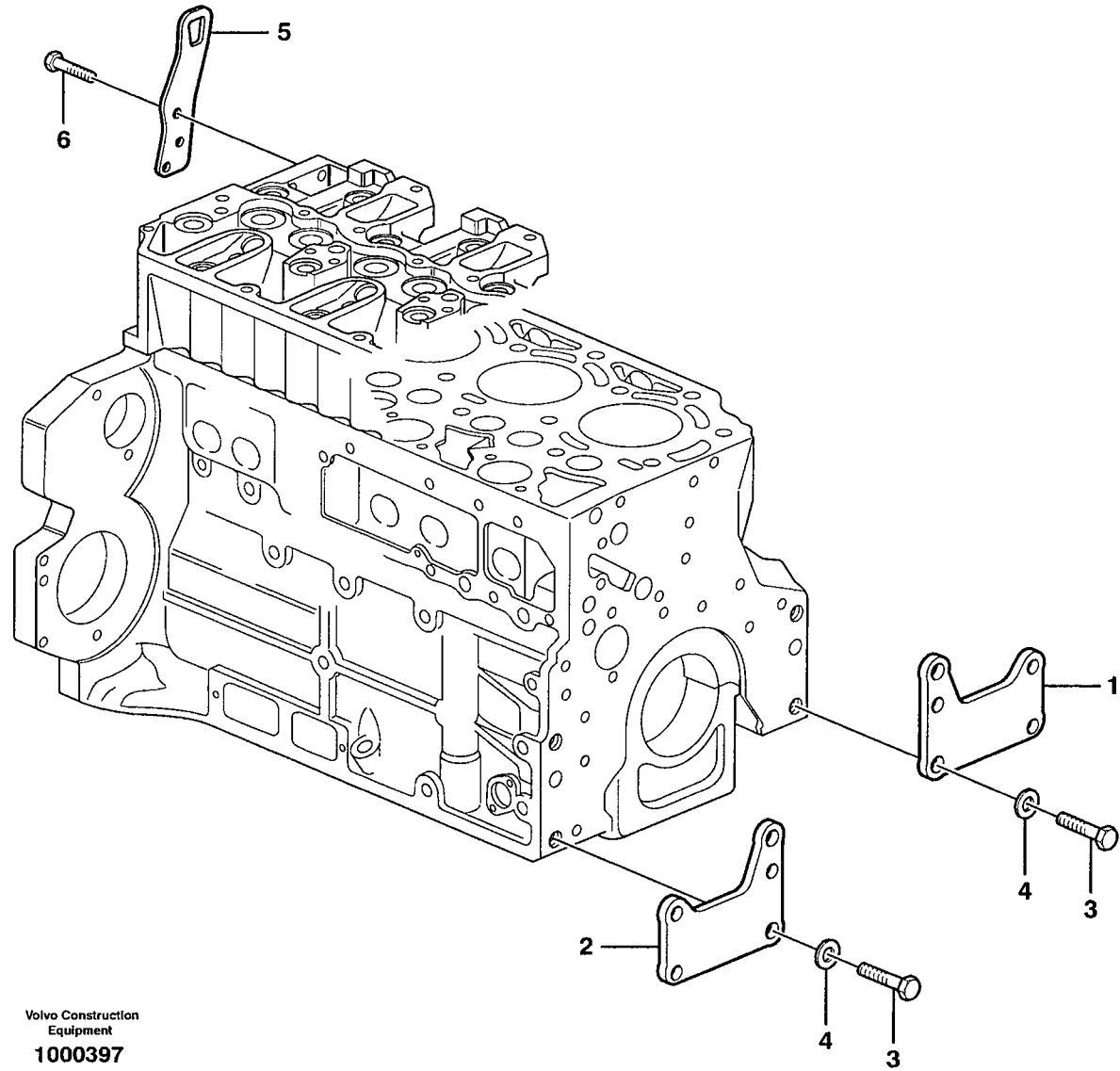


Fig.	Part No.	Quantity			P S	K I T	Description	Dénomination	Bezeichnung	품명	Denominación	Notes
		1	2	3								
1	SA 1112-00060	2				Cushion.....	Coussin .....	Sitzkissen .....	쿠션 .....	Cojin.....		
2	SA 1112-00050	2				Cushion.....	Coussin .....	Sitzkissen .....	쿠션 .....	Cojin.....		
3	VOE 14512285	1				Bracket.....	Console.....	Konsole .....	브라켓 .....	Ménsula.....		
4	VOE 14512286	1				Bracket.....	Console.....	Konsole .....	브라켓 .....	Ménsula.....		
5	VOE 14504925	1				Bracket.....	Console.....	Konsole .....	브라켓 .....	Ménsula.....		
6	VOE 14504926	1				Bracket.....	Console.....	Konsole .....	브라켓 .....	Ménsula.....		
7	SA 2012-00110	4				Plate.....	Plaque.....	Platte .....	플레이트 .....	Placa.....		
8	VOE 978933	10				Screw .....	Vis .....	Schraube .....	스크류 .....	Tornillo.....		
9	VOE 955923	10				Washer.....	Rondelle.....	Scheibe .....	와셔 .....	Arandela.....		
10	SA 9111-12200	4				Nut .....	Ecrou.....	Mutter .....	너트 .....	Tuerca.....		
11	SA 9211-22000	4				Washer.....	Rondelle.....	Scheibe .....	와셔 .....	Arandela.....		
12	SA 9011-22220	4				Bolt.....	Boulon.....	Bolzen.....	볼트 .....	Perno.....		
13	VOE 955926	4				Spring Washer .....	Rondelle ressort.....	Federscheibe.....	스프링 와셔 .....	Arandela resorte.....		
14	VOE 978938	4				Screw .....	Vis .....	Schraube .....	스크류 .....	Tornillo.....		

1	8277784	<b>Suspensión del motor</b> <b>엔진 장착 부품</b> <b>Motorbefestigung</b> <b>Support moteur</b> <b>Engine mount</b>	Catalogue id	Group
2			<b>56141</b>	<b>218</b>
3			Illustr. No	Section
4			<b>TA102</b>	<b>100</b>
5			Issue	Page
			<b>VOE 7414356141</b>	<b>71</b>

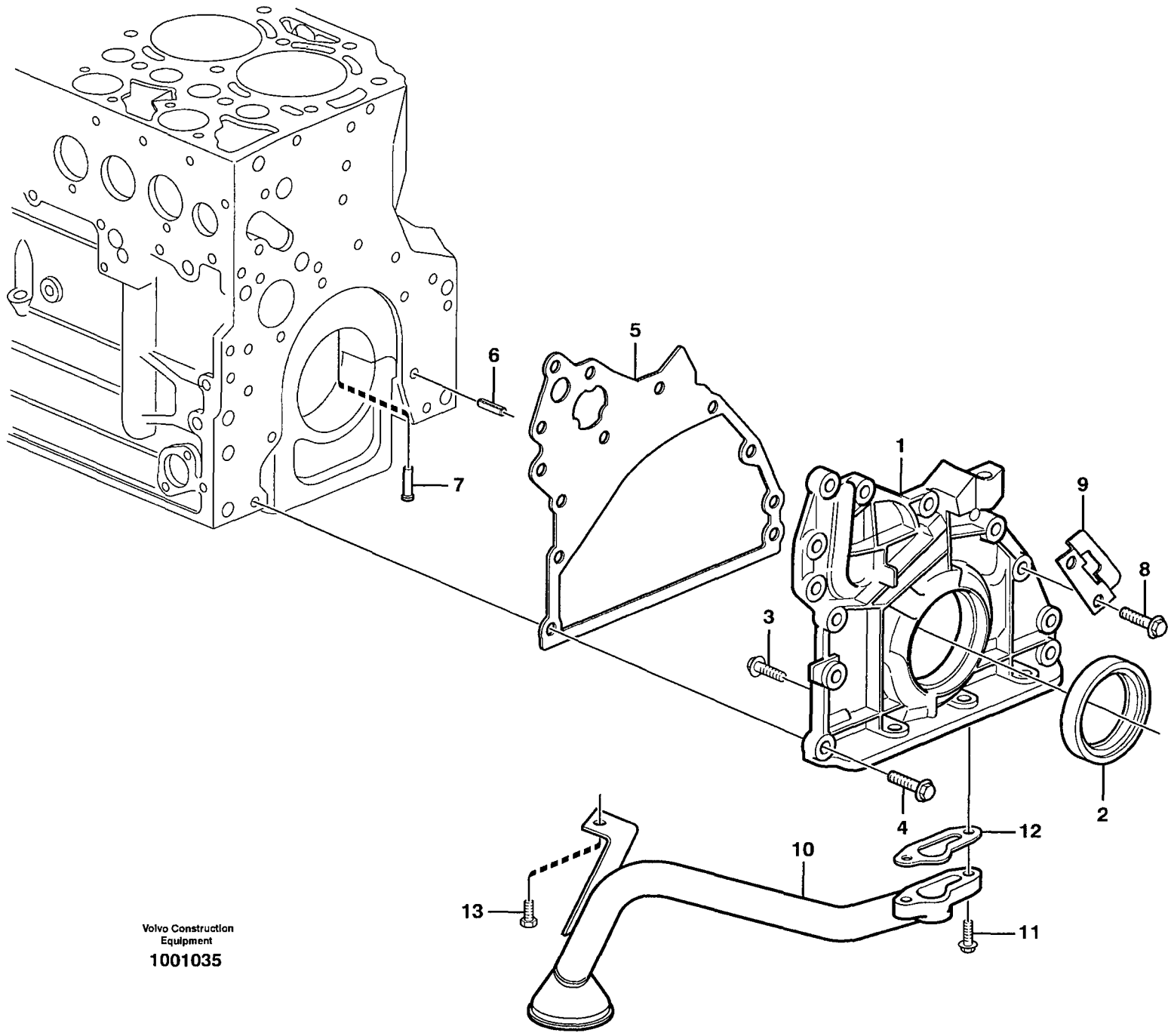




Volvo Construction  
Equipment  
1000397

Fig.	Part No.	Quantity			P S	K I T	Description	Dénomination	Bezeichnung	품명	Denominación	Notes
		1	2	3								
1		1			NS	Bracket.....	Ferrure-support .....	Tragstutse.....	브라켓 .....	Hierro Apoyo.....		
2		1			NS	Bracket.....	Ferrure-support .....	Tragstutse.....	브라켓 .....	Hierro Apoyo.....		
3	VOE 20405854	4				Screw .....	Vis .....	Schraube .....	스크류 .....	Tornillo.....		
4	VOE 20405606	4				Washer.....	Rondelle .....	Scheibe .....	와셔 .....	Arandela.....		
5		1			NS	Lifting Eye .....	Oeillet Levage .....	Hebeöse .....	리프팅 아이 .....	Argoll Elev.....		
6	VOE 20450856	3				Screw .....	Vis .....	Schraube .....	스크류 .....	Tornillo.....		

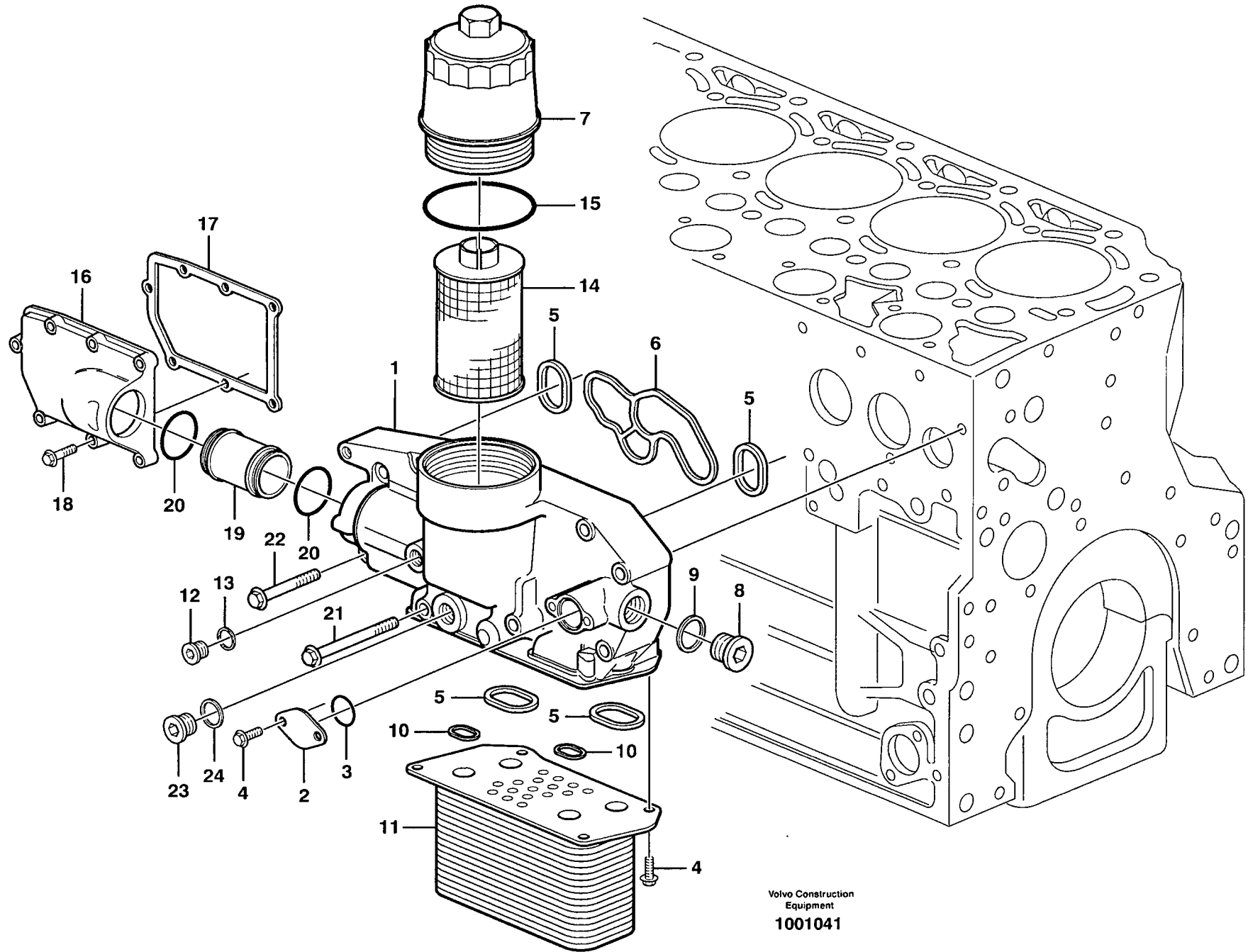
1	8277784	<b>Suspensión del motor</b> <b>엔진 장착 부품</b> <b>Motorbefestigung</b> <b>Support moteur</b> <b>Engine mount</b>	Catalogue id	Group
2			<b>56141</b>	<b>218</b>
3			Illustr. No	Section
4			<b>1000397</b>	<b>200</b>
5			Issue	Page
			<b>VOE 7414356141</b>	<b>73</b>



Volvo Construction  
Equipment  
1001035

Fig.	Part No.	Quantity			P S	K I T	Description	Dénomination	Bezeichnung	품명	Denominación	Notes
		1	2	3								
1	VOE 20459166	1				Oil Pump .....	Pompe a huile .....	Ölpumpe.....	오일 펌프.....	Bomba de aceite.....		
2	VOE 20412568	1				Sealing Ring.....	Bagu.etancheite .....	Runddichtring .....	시일 링 .....	Anillo Reten.....		
3	VOE 20451738	8				Screw .....	Vis .....	Schraube .....	스크류 .....	Tornillo.....		
4	VOE 20412324	10				Screw .....	Vis .....	Schraube .....	스크류 .....	Tornillo.....		
5	VOE 20459161	1				Gasket.....	Joint .....	Dichtung .....	가스켓 .....	Junta.....		
6	VOE 20405603	1				Spring Pin .....	Boulon de ressort.....	Federstift .....	스프링 핀 .....	Pasador Resorte.....		
7	VOE 20405561	1				Pstn Cool Jet.....	Buse Refr.pist. ....	Kolbenkuhduse .....	피스톤 냉각 제트.....	Boq.enfr Piston.....		
8	VOE 20459160	2				Screw .....	Vis .....	Schraube .....	스크류 .....	Tornillo.....		
9		1			NS	Bracket.....	Ferrure-support .....	Tragstutse.....	브라켓 .....	Hierro Apoyo.....		
10	VOE 20481756	1				Oil Pipe .....	Conduit Huile .....	Ölrohr .....	오일 파이프 .....	Tubo Aceite.....		
11	VOE 20405709	2				Screw .....	Vis .....	Schraube .....	스크류 .....	Tornillo.....		
12	VOE 11700391	1				Gasket.....	Joint .....	Dichtung .....	가스켓 .....	Junta.....		
13	VOE 20441520	1				Flange Screw .....	Vis A Bride .....	Flanschschraube .....	플랜지 스크류 .....	Torn Embridado.....		

1	8277784	<b>Sistema de lubricación</b> 윤활 장치 <b>Schmierölsystem</b> <b>Système de graissage</b> Lubricating oil system	Catalogue id	Group
2			<b>56141</b>	<b>221</b>
3			Illustr. No	Section
4			<b>1001035</b>	<b>100</b>
5			Issue	Page
			<b>VOE 7414356141</b>	<b>75</b>



Volvo Construction  
Equipment  
**1001041**

Fig.	Part No.	Quantity			P S	K I T	Description	Dénomination	Bezeichnung	품명	Denominación	Notes
		1	2	3								
1	VOE 20482788	1				Oil Cooler .....	Refroidisseur huile .....	Ölkühler.....	오일 쿨러.....	Enfriadores aceite.....		
2		1			NS	•Cap .....	•Chapeau .....	•Kappe .....	•캡.....	•Caperuza.....		
3	VOE 20405599	1				•Sealing Ring .....	•Bagu.etancheite.....	•Runddichtring.....	•시일 링.....	•Anillo Reten.....		
4	VOE 20405885	6				•Screw.....	•Vis.....	•Schraube.....	•스크류.....	•Tornillo.....		
5	VOE 20459215	4				•Washer .....	•Rondelle.....	•Scheibe.....	•와셔.....	•Arandela.....		
6	VOE 20459212	1				•Gasket .....	•Joint .....	•Dichtung.....	•가스켓.....	•Junta.....		
7	VOE 20459209	1				•Cap .....	•Chapeau .....	•Kappe .....	•캡.....	•Caperuza.....		
8	VOE 20459195	1				•Plug .....	•Bouchon.....	•Stopfen .....	•플러그.....	•Tapon.....		
9	VOE 20460240	1				•Sealing Ring .....	•Bagu.etancheite.....	•Runddichtring.....	•시일 링.....	•Anillo Reten.....		
10	VOE 20459214	2				•Washer .....	•Rondelle.....	•Scheibe.....	•와셔.....	•Arandela.....		
11	VOE 20482789	1				•Oil Cooler.....	•Refroidisseur huile .....	•Ölkühler.....	•오일 쿨러.....	•Enfriadores aceite.....		
12	VOE 20459196	1				•Plug .....	•Bouchon.....	•Stopfen .....	•플러그.....	•Tapon.....		
13	VOE 13947622	1				•Plane Gasket .....	•Joint Plan .....	•Plandichtung .....	•평 가스켓.....	•Junta Plana.....		
14	VOE 20459207	1				•Oil Filter .....	•Filtre Huile.....	•Ölfilter.....	•오일 필터.....	•Filtro Aceite.....		
15	VOE 20459213	1				••Sealing Ring .....	••Bagu.etancheite.....	••Runddichtring .....	••시일 링.....	••Anillo Reten.....		
16	VOE 20459945	1				Tank.....	Reservoir.....	Behälter.....	탱크.....	Deposito.....		
17	VOE 20459192	1				Gasket.....	Joint .....	Dichtung .....	가스켓.....	Junta.....		
18	VOE 20412324	7				Screw .....	Vis .....	Schraube .....	스크류.....	Tornillo.....		
19	VOE 20459191	1				Plug.....	Bouchon.....	Stopfen .....	플러그.....	Tapon.....		
20	VOE 20459193	2				Sealing Ring.....	Bagu.etancheite .....	Runddichtring .....	시일 링.....	Anillo Reten.....		
21	VOE 20460123	3				Screw .....	Vis .....	Schraube .....	스크류.....	Tornillo.....		
22	VOE 20405884	5				Screw .....	Vis .....	Schraube .....	스크류.....	Tornillo.....		
23	VOE 20450895	2				Plug.....	Bouchon.....	Stopfen .....	플러그.....	Tapon.....		
24	VOE 13947281	2				Gasket.....	Joint .....	Dichtung .....	가스켓.....	Junta.....		

1	8277784	<b>Enfriador de aceite</b> 오일 쿨러 <b>Ölkühler</b> Radiateur d 'huile <b>Oil cooler</b>	Catalogue id	Group
2			<b>56141</b>	<b>223</b>
3			Illustr. No	Section
4			<b>1001041</b>	<b>100</b>
5			Issue	Page
		<b>VOE 7414356141</b>	<b>77</b>	

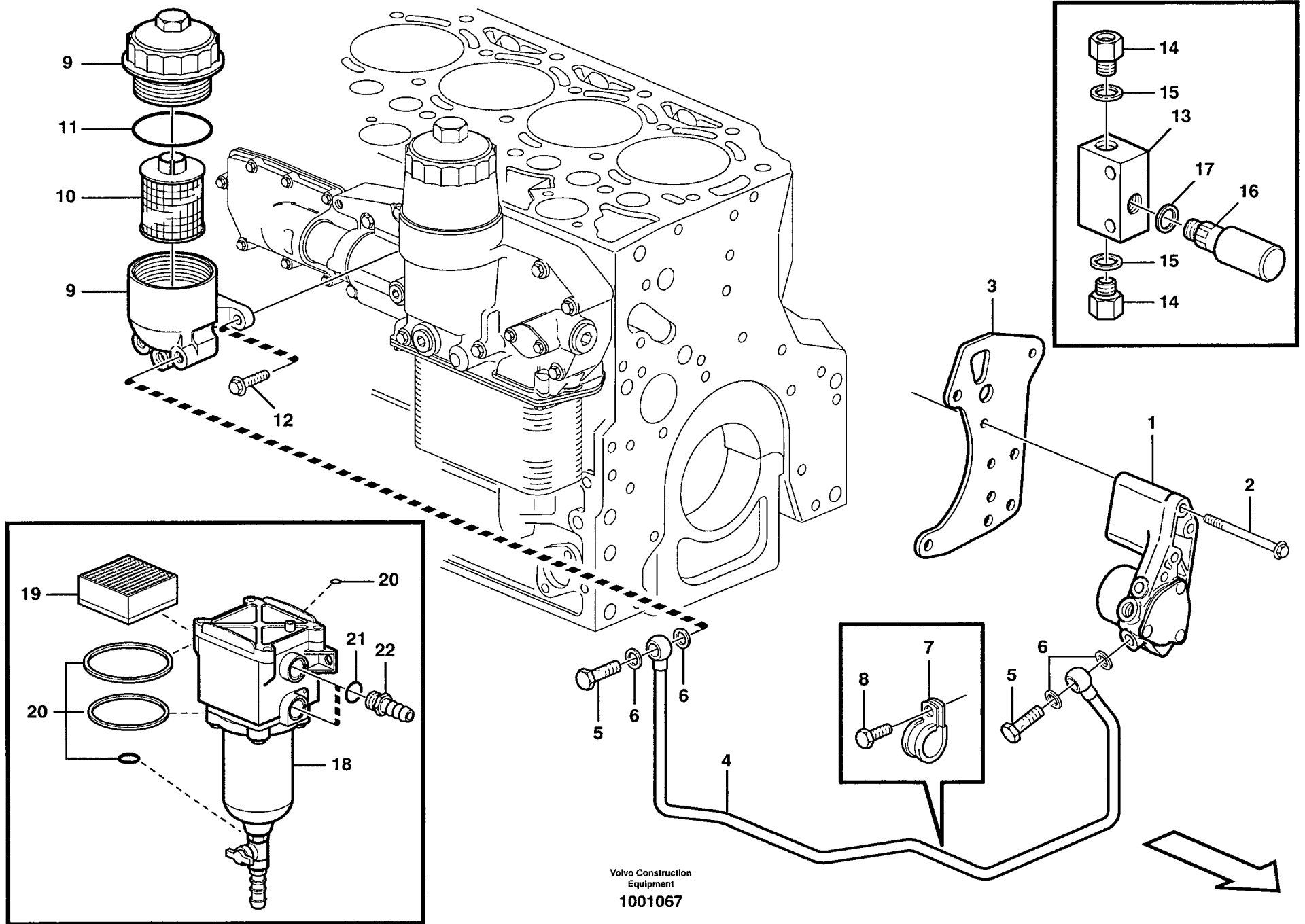


Fig.	Part No.	Quantity			P S	K I T	Description	Dénomination	Bezeichnung	품명	Denominación	Notes
		1	2	3								
1	VOE 20459247	1				Fuel Pump.....	Pompe Carburant.....	Kraftstoffpumpe.....	연료 펌프.....	Bomba Combustib.....		
2	VOE 20459246	3				Screw.....	Vis.....	Schraube.....	스크류.....	Tornillo.....		
3		1			NS	Plate.....	Tole.....	Blech.....	플레이트.....	Chapa.....		
4	VOE 20482311	1				Fuel Pipe.....	Conduit Carbura.....	Kraftst Leitung.....	연료 파이프.....	Tube Combustib.....		
5	VOE 7025167	2				Hollow Screw.....	Vis Creuse.....	Lochschraube.....	스크류.....	Tornillo hueca.....		
6	VOE 13969011	4				Gasket.....	Joint.....	Dichtung.....	가스켓.....	Junta.....		
7	VOE 20460045	1				Clamp.....	Pince Serrage.....	Klemme.....	클램프.....	Abrazadera.....		
8	VOE 20405792	1				Screw.....	Vis.....	Schraube.....	스크류.....	Tornillo.....		
9	VOE 20460033	1				Fuel Filter.....	Filtr.carburant.....	Kraftstofffilter.....	연료 필터.....	Filtro Combust.....		
10	VOE 20460034	1				•Filter Insert.....	•Cartouch.filtre.....	•Filtereinsatz.....	•필터 인서트.....	•Cartuc.filtrant.....		
11	VOE 20460035	1				••O-ring.....	••Joint Torique.....	••O-ring.....	••오링.....	••Junta torica.....		
12	VOE 20450713	2				Screw.....	Vis.....	Schraube.....	스크류.....	Tornillo.....		
13	VOE 20405925	1				Hand Pump.....	Pompe a main.....	Handpumpe.....	핸드 펌프.....	Bomba manual.....		
14					NS	•Connector.....	•Raccord.....	•Anschluss.....	•커넥터.....	•Union.....		
15	VOE 13947625	2				•Plane Gasket.....	•Joint Plan.....	•Plandichtung.....	•평 가스켓.....	•Junta Plana.....		
16	VOE 20412750	1				•Hand Pump.....	•Pompe a main.....	•Handpumpe.....	•핸드 펌프.....	•Bomba manual.....		
17	VOE 13947622	1				•Plane Gasket.....	•Joint Plan.....	•Plandichtung.....	•평 가스켓.....	•Junta Plana.....		
18	VOE 11172896	1				Water Separator.....	Separateur Eau.....	Wasserabscheidr.....	수분 분리기.....	Separador Agua.....		
19	VOE 20460243	1				Fuel Filter.....	Filtr.carburant.....	Kraftstofffilter.....	연료 필터.....	Filtro Combust.....		
20	VOE 20460244	1				Gasket Kit.....	Kit Joints.....	Dichtungssatz.....	가스켓 킷.....	Juego Juntas.....		
21	VOE 20460248	2				O-ring.....	Joint Torique.....	O-ring.....	오링.....	Junta torica.....		
22	VOE 20460249	2				Connector.....	Raccord.....	Anschluss.....	커넥터.....	Union.....		

1	8277784	<b>Bomba de combustible</b> 연료 펌프 <b>Kraftstoffpumpe</b> <b>Pompe Carburant</b> <b>Fuel pump</b>	Catalogue id	Group
2			<b>56141</b>	<b>233</b>
3			Illustr. No	Section
4			<b>1001067</b>	<b>100</b>
5			Issue	Page
			<b>VOE 7414356141</b>	<b>79</b>

**VOLVO**

**EC210B**



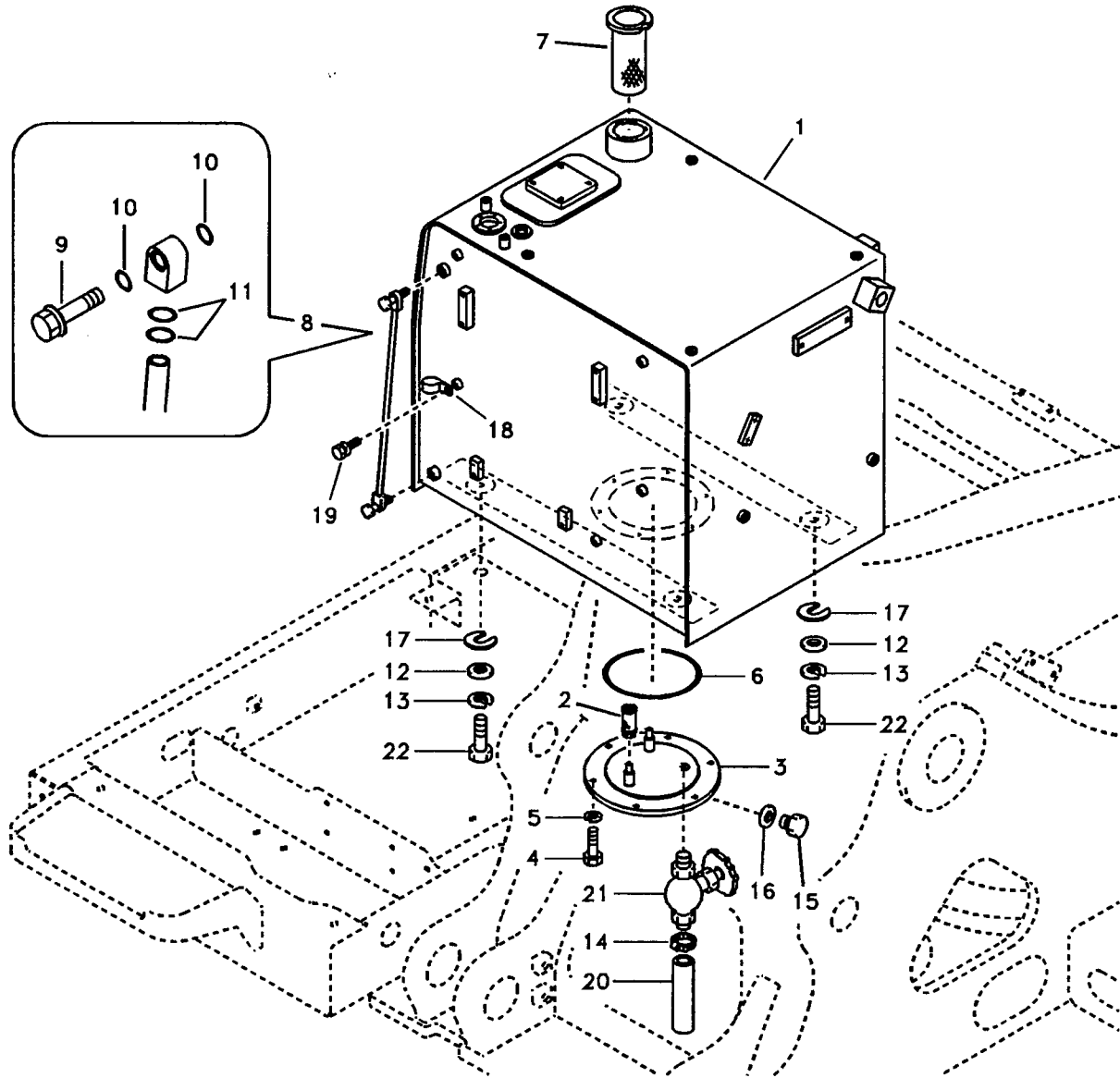


Fig.	Part No.	Quantity			P S	K I T	Description	Dénomination	Bezeichnung	품명	Denominación	Notes
		1	2	3								
1	VOE 14505891	1				Fuel tank .....	Reser.carburant .....	Kraftstofftank .....	연료 탱크 .....	Deposit combust.....		
2		1			NS	•Strainer .....	•Crepine .....	•Seiher.....	• 스트레이너 .....	•Colador.....		
3	VOE 14510137	1				•Cover .....	•Capot .....	•Haube .....	• 커버 .....	•Capo.....		
4	VOE 983251	6				•Screw.....	•Vis .....	•Schraube.....	• 스크류 .....	•Tornillo.....		
5	SA 9211-10000	6				•Washer .....	•Rondelle.....	•Scheibe.....	• 와셔 .....	•Arandela.....		
6	SA 9511-22230	1				•O-ring.....	•Joint Torique.....	•O-ring.....	• 오링 .....	•Junta torica.....		
7	SA 1116-00220	1				Filler .....	Mat.remplissage.....	Fullstoff .....	주유구 .....	Prod Relleno.....		
8	VOE 14517103	1				Lvl Ind Pipe .....	Indicat Niveau .....	Pegelstandrohr .....	레벨 게이지 .....	Tubo Ind Nivel.....		
9	VOE 14517557	2				•Bolt .....	•Boulon.....	•Bolzen.....	• 볼트 .....	•Perno.....		
10	SA 9511-12010	4				•O-ring.....	•Joint Torique.....	•O-ring.....	• 오링 .....	•Junta torica.....		
11	SA 9511-12018	4				•O-ring.....	•Joint Torique.....	•O-ring.....	• 오링 .....	•Junta torica.....		
12	SA 9211-20000	4				Washer.....	Rondelle.....	Scheibe.....	와셔 .....	Arandela.....		
13	SA 9213-20000	4				Washer.....	Rondelle.....	Scheibe.....	와셔 .....	Arandela.....		
14	SA 9312-00006	1				Clamp.....	Pince Serrage .....	Klemme .....	클램프 .....	Abrazadera.....		
15	SA 9415-22051	1				Plug.....	Bouchon.....	Stopfen .....	플러그 .....	Tapon.....		
16	SA 9426-20050	1				Gasket.....	Joint .....	Dichtung .....	가스켓 .....	Junta.....		
17	SA 9742-50020	5				Shim.....	Cale Reglage .....	Nachstellblech .....	심 .....	Cuna de calzar.....		
18	VOE 14500294	1				Clip.....	Clip .....	Klemme .....	클립 .....	Clip.....		
19	VOE 946471	1				Flange Screw .....	Vis A Bride .....	Flanschschraube .....	플랜지 스크류 .....	Torn Embridado.....		
20	VOE 14510696	1				Hose.....	Durit .....	Schlauch .....	호스 .....	Tubo flexible.....		
21	VOE 14510697	1				Valve .....	Soupape.....	Ventil .....	밸브 .....	Valvula.....		
22	SA 9011-12009	4				Bolt.....	Boulon.....	Bolzen.....	볼트 .....	Perno.....		

1	8277784	<b>Depósito de combustible con accesorios de montaje</b> 연료 탱크 및 장착 부품 <b>Kraftstofftank mit Anbauteilen</b> <b>Réservoir de carburant avec pièces de montage</b> <b>Fuel tank with fitting parts</b>	Catalogue id	Group
2			56141	234
3			Illustr. No	Section
4			TA103	100
5			Issue	Page
			VOE 7414356141	81

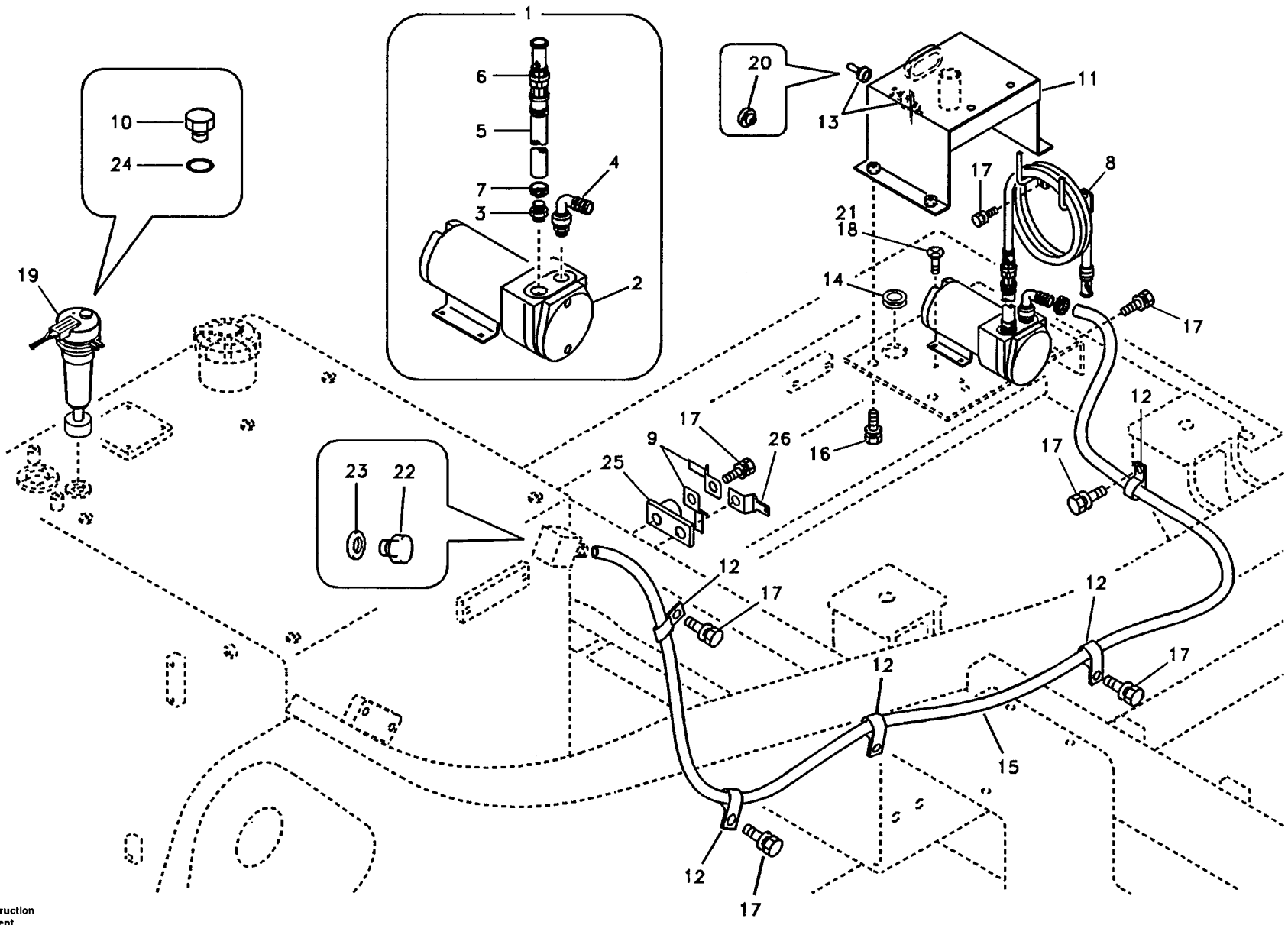


Fig.	Part No.	Quantity			P S	K I T	Description	Dénomination	Bezeichnung	품명	Denominación	Notes
		1	2	3								
1	VOE 14515086	1				Fuel Fill Pump .....	Tankpumpe .....	연료 주유 펌프 .....	Bomba Llenado.....			
	VOE 14515087		1			Fuel Fill Pump .....	Tankpumpe .....	연료 주유 펌프 .....	Bomba Llenado.....			
2		1			NS	•Fuel Fill Pump.....	•Tankpumpe .....	•연료 주유 펌프 .....	•Bomba Llenado.....			
			1		NS	•Filling Pump.....	•Filling Pump.....	•Tankpumpe .....	•주유 펌프.....	•Filling Pump.....		
3	SA 1128-00030	1				•Adapter .....	•Raccord Reduct.....	•Verbind Stutzen .....	•어댑터 .....	•Adaptador.....		
	SA 1128-00550		2			•Adapter .....	•Raccord Reduct.....	•Verbind Stutzen .....	•어댑터 .....	•Adaptador.....		
4	SA 1128-00410	1				•Adapter .....	•Raccord Reduct.....	•Verbind Stutzen .....	•어댑터 .....	•Adaptador.....		
	SA 1128-00560		1			•Adapter .....	•Raccord Reduct.....	•Verbind Stutzen .....	•어댑터 .....	•Adaptador.....		
5	VOE 14515171	1				•Hose .....	•Durit .....	•Schlauch .....	•호스 .....	•Tubo flexible.....		
	VOE 14515172		1			•Hose .....	•Durit .....	•Schlauch .....	•호스 .....	•Tubo flexible.....		
6	SA 1128-00060	1				•Valve.....	•Soupape .....	•Ventil .....	•밸브 .....	•Valvula.....		
	SA 1128-00570		1			•Valve.....	•Soupape .....	•Ventil .....	•밸브 .....	•Valvula.....		
7	SA 1128-00310	4				•Clip .....	•Clip.....	•Klemme.....	•클립 .....	•Clip.....		
	SA 1128-00530		4			•Clip .....	•Clip.....	•Klemme.....	•클립 .....	•Clip.....		
8	SA 1128-00250		2	2		Stop.....	Arrêt .....	Anschlag .....	스톱 .....	Parada.....		
9	SA 1122-04290	2				Clip.....	Clip.....	Klemme .....	클립 .....	Clip.....		
10	SA 1128-00740	1	1			Plug.....	Bouchon.....	Stopfen .....	플러그 .....	Tapon.....		
11	VOE 14515791	1	1			Cover .....	Capot .....	Haube .....	커버 .....	Capo.....		
12	VOE 14500297		5			Clip.....	Clip.....	Klemme .....	클립 .....	Clip.....		
	VOE 14500298		5			Clip.....	Clip.....	Klemme .....	클립 .....	Clip.....		
13	VOE 14502170	1				Toggle Switch .....	Interru.basculé .....	Wippschalter .....	토글 스위치 .....	Interrup Bascul.....		
14	SA 2022-05150	1	1			Grommet.....	Passe fil .....	Durchführung.....	그로메트 .....	Aislador pasapanel....		
15	SA 9951-19046	1				Hose.....	Durit .....	Schlauch .....	호스 .....	Tubo flexible.....		
	SA 1128-00510		1			Hose.....	Durit .....	Schlauch .....	호스 .....	Tubo flexible.....		
16	VOE 946441		2	2		Flange Screw .....	Vis A Bride .....	Flanschschaube .....	플랜지 스크류 .....	Torn Embridado.....		
17	VOE 946471	1	9	9		Flange Screw .....	Vis A Bride .....	Flanschschaube .....	플랜지 스크류 .....	Torn Embridado.....		
18	VOE 946934		4			Screw .....	Vis .....	Schraube .....	스크류 .....	Tornillo.....		
19	VOE 14508740		1			Sensor.....	Captur .....	Geber .....	센서 .....	Captador.....		
20	SA 4523-10320		1			Grommet.....	Passe fil .....	Durchführung.....	그로메트 .....	Aislador pasapanel....		
21	VOE 946472		2			Flange Screw .....	Vis A Bride .....	Flanschschaube .....	플랜지 스크류 .....	Torn Embridado.....		

1	8277127	<b>Bomba de llenado con accesorios de montaje</b> 연료 주입 펌프 및 장착 부품 <b>Tankpumpe mit Anbauteilen.</b> <b>Pompe rempl carburant avec pièces de montage.</b> <b>Fuel filling pump with assembling details</b>	Catalogue id	Group
2	8277795		56141	234
3	8277796		Illustr. No	Section
4			TA104	300
5			Issue	Page
			VOE 7414356141	83

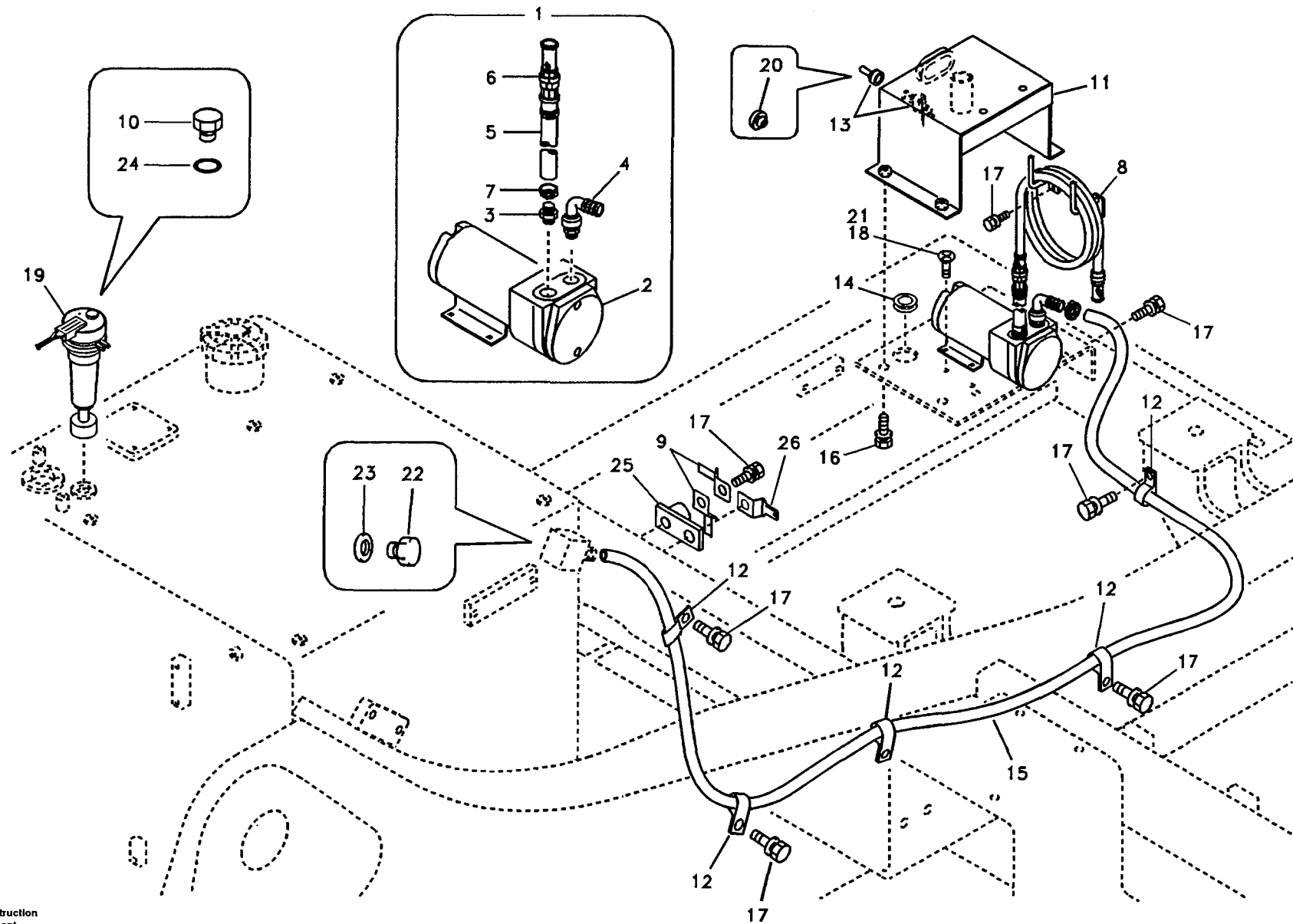


Fig.	Part No.	Quantity			P S	K I T	Description	Dénomination	Bezeichnung	품명	Denominación	Notes
		1	2	3								
22	VOE 14515173	1				Plug.....	Bouchon.....	Stopfen .....	플러그 .....	Tapon.....		
23	SA 9426-10050	1				O-ring .....	Joint Torique .....	O-ring .....	오링 .....	Junta torica.....		
24	SA 9511-22025	1	1			O-ring .....	Joint Torique .....	O-ring .....	오링 .....	Junta torica.....		
25	SA 2022-01280	1				Bracket.....	Ferrure-support .....	Tragstutse.....	브라켓 .....	Hierro Apoyo.....		
26	SA 9392-20130	1				Clip.....	Clip.....	Klemme .....	클립 .....	Clip.....		

1	8277127	<b>Bomba de llenado con accesorios de montaje</b> 연료 주입 펌프 및 장착 부품 <b>Tankpumpe mit Anbauteilen.</b> <b>Pompe rempl carburant avec pièces de montage.</b> <b>Fuel filling pump with assembling details</b>	Catalogue id	Group
2	8277795		<b>56141</b>	<b>234</b>
3	8277796		Illustr. No	Section
4			<b>TA104</b>	<b>300</b>
5			Issue	Page
			<b>VOE 7414356141</b>	<b>85</b>

**VOLVO**

**EC210B**

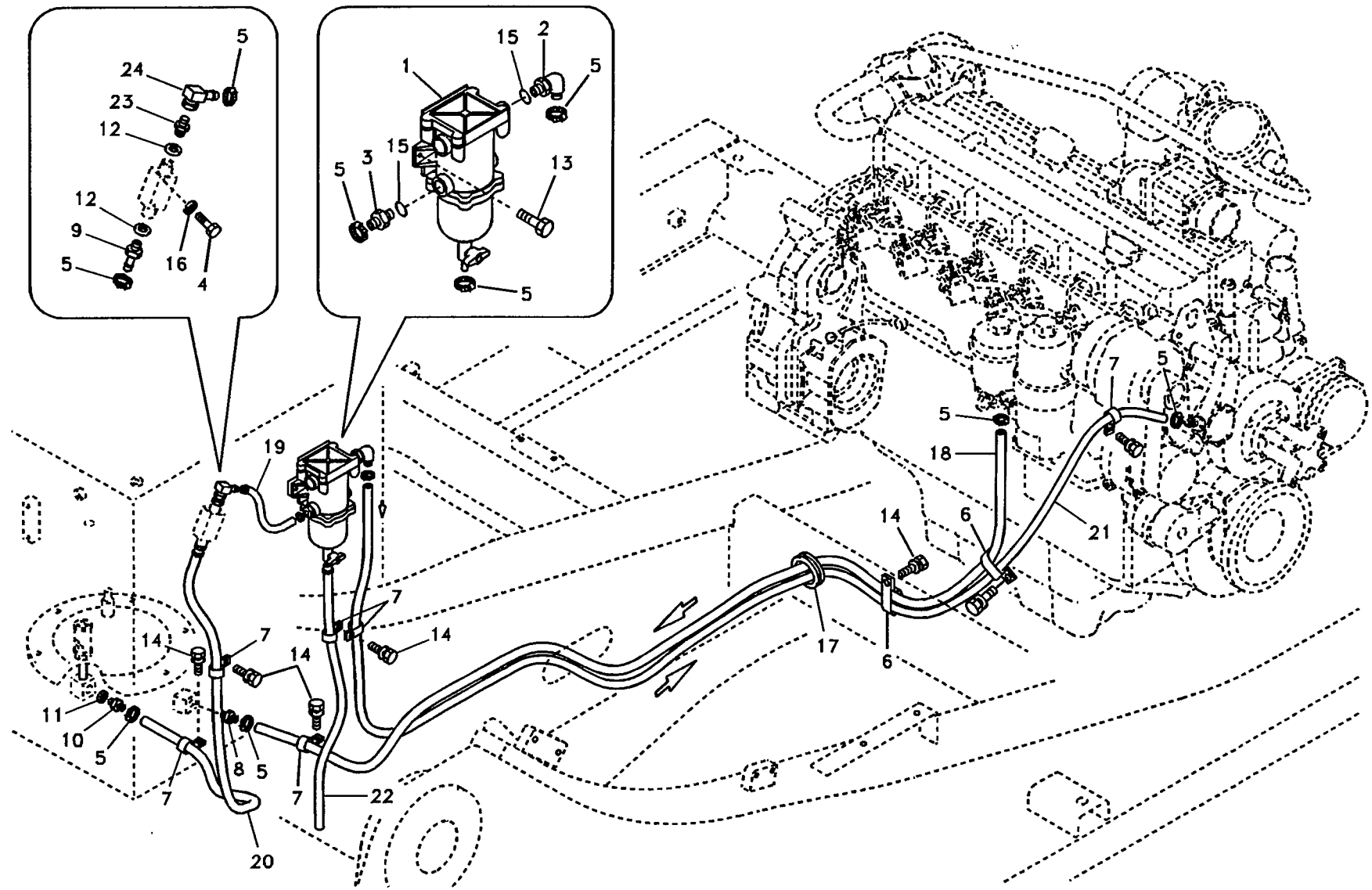


Fig.	Part No.	Quantity			P S	K I T	Description	Dénomination	Bezeichnung	품명	Denominación	Notes
		1	2	3								
1	VOE 11172896	1					Water Separator.....	Separateur Eau.....	Wasserabscheidr.....	수분 분리기.....	Separador Agua.....	
2	VOE 14880194	1					Elbow.....	Coude.....	Winkelstueck.....	엘보.....	Codo.....	
3	VOE 14880192	1					Connector.....	Raccord.....	Anschluss.....	커넥터.....	Union.....	
4	SA 9011-20609	2					Bolt.....	Boulon.....	Bolzen.....	볼트.....	Perno.....	
5	SA 9312-00005	9					Clamp.....	Pince Serrage.....	Klemme.....	클램프.....	Abrazadera.....	
6	SA 9316-02201	2					Clip.....	Clip.....	Klemme.....	클립.....	Clip.....	
7	SA 9315-01801	6					Clip.....	Clip.....	Klemme.....	클립.....	Clip.....	
8	SA 9411-08080	1					Connector.....	Raccord.....	Anschluss.....	커넥터.....	Union.....	
9	SA 9411-96290	1					Connector.....	Raccord.....	Anschluss.....	커넥터.....	Union.....	
10	SA 9411-96300	1					Connector.....	Raccord.....	Anschluss.....	커넥터.....	Union.....	
11	SA 9426-20050	1					Gasket.....	Joint.....	Dichtung.....	가스켓.....	Junta.....	
12	SA 9426-20060	2					Gasket.....	Joint.....	Dichtung.....	가스켓.....	Junta.....	
13	VOE 946440	2					Flange Screw.....	Vis A Bride.....	Flanschschraube.....	플랜지 스크류.....	Torn Embridado.....	
14	VOE 946471	8					Flange Screw.....	Vis A Bride.....	Flanschschraube.....	플랜지 스크류.....	Torn Embridado.....	
15	SA 9511-42910	2					O-ring.....	Joint Torique.....	O-ring.....	오링.....	Junta torica.....	
16	VOE 955919	2					Spring Washer.....	Rondelle ressort.....	Federscheibe.....	스프링 와셔.....	Arandela resorte.....	
17	SA 1122-02150	1					Grommet.....	Passe fil.....	Durchführung.....	그로메트.....	Aislador pasapanel.....	
18	SA 9951-09044	1					Hose.....	Durit.....	Schlauch.....	호스.....	Tubo flexible.....	
19	SA 9951-11006	1					Fuel Hose.....	Flexi.carburant.....	Kraftstschlauch.....	연료 호스.....	Manguera Comb.....	
20	SA 9951-11021	1					Hose.....	Durit.....	Schlauch.....	호스.....	Tubo flexible.....	
21	SA 9951-11059	1					Hose.....	Durit.....	Schlauch.....	호스.....	Tubo flexible.....	
22	SA 9952-10014	1					Hose.....	Durit.....	Schlauch.....	호스.....	Tubo flexible.....	
23	SA 9412-22070	1					Connector.....	Raccord.....	Anschluss.....	커넥터.....	Union.....	
24	VOE 14516446	1					Elbow.....	Coude.....	Winkelstueck.....	엘보.....	Codo.....	

1	8277784	<b>Tubo de combustible - Depósito de combustible</b>	Catalogue id	Group
2		연료 흡입 및 리턴 배관	<b>56141</b>	<b>235</b>
3		<b>Kraftstoffrohr - Kraftstofftank</b>	Illustr. No	Section
4		<b>Conduit de carburant - Réservoir de carburant</b>	<b>TA105</b>	<b>100</b>
5		<b>Fuel pipe - Fuel tank</b>	Issue	Page
			<b>VOE 7414356141</b>	<b>87</b>



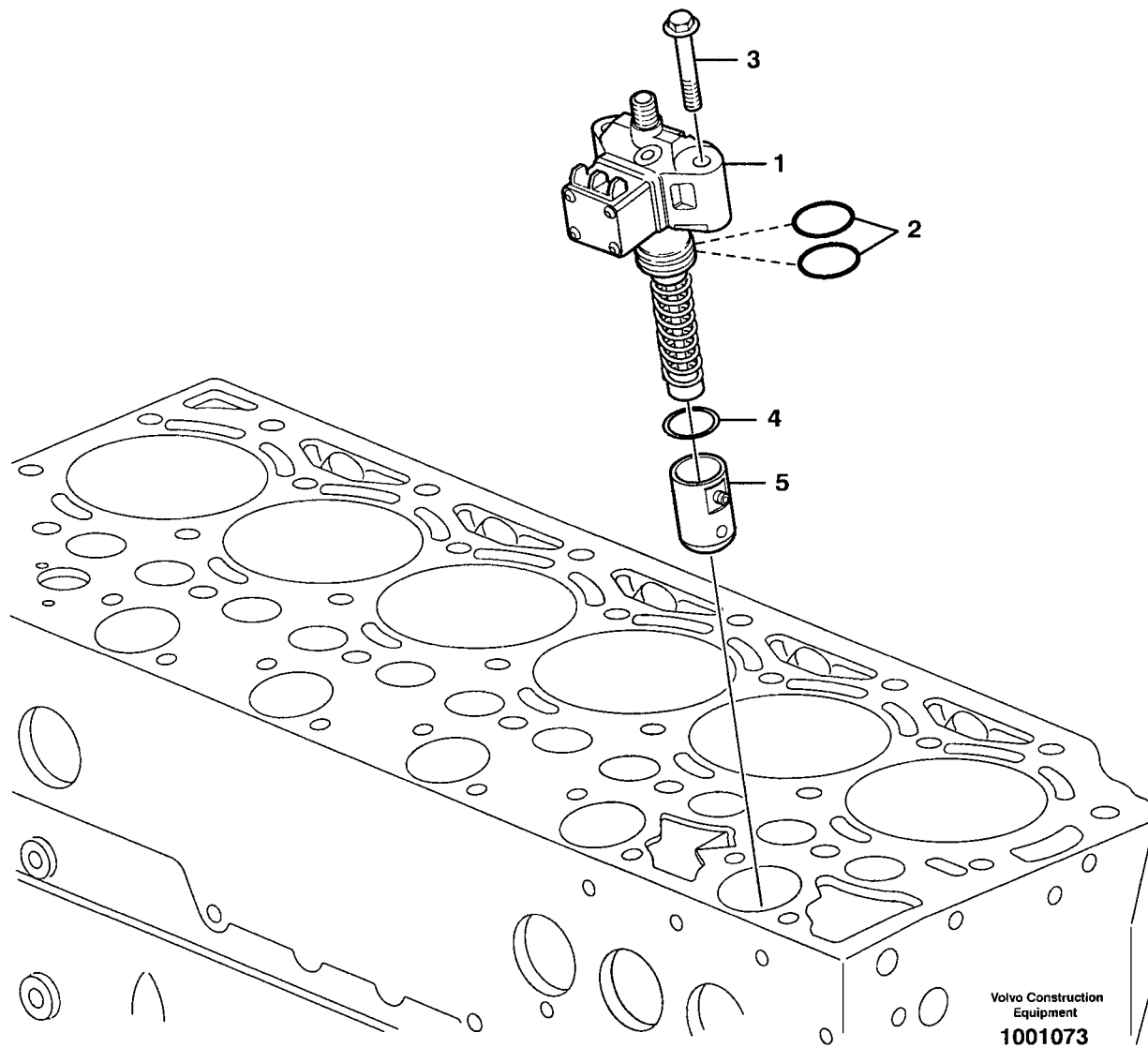


Fig.	Part No.	Quantity			P S	K I T	Description	Dénomination	Bezeichnung	품명	Denominación	Notes
		1	2	3								
1	VOE 20460075	6					Injection Pump .....	Pompe Injection .....	Einspritzpumpe .....	분사 펌프 .....	Bomba Injeccion.....	
2	VOE 20460073	12					•O-ring.....	•Joint Torique .....	•O-ring .....	•오링 .....	•Junta torica.....	
3	VOE 20450667	12					Screw.....	Vis .....	Schraube .....	스크류 .....	Tornillo.....	
4		REQ			NS		Shim.....	Cale Reglage .....	Nachstellblech .....	심 .....	Cuna de calzar.....	
5	VOE 11700392	6					Socket.....	Douille .....	Buchse.....	슬리브 .....	Hembrilla.....	

1	8277784	<b>Bomba de inyección de accesorisde montaje</b> 연료 분사 펌프 장착 부품 <b>Einspritzpumpe mit Anbauteilen</b> <b>Pompe d'injection de combustible avec piècesde montage</b> <b>Fuel injection pump with fitting parts</b>	Catalogue id	Group
2			<b>56141</b>	<b>236</b>
3			Illustr. No	Section
4			<b>1001073</b>	<b>100</b>
5			Issue	Page
			VOE 7414356141	<b>89</b>

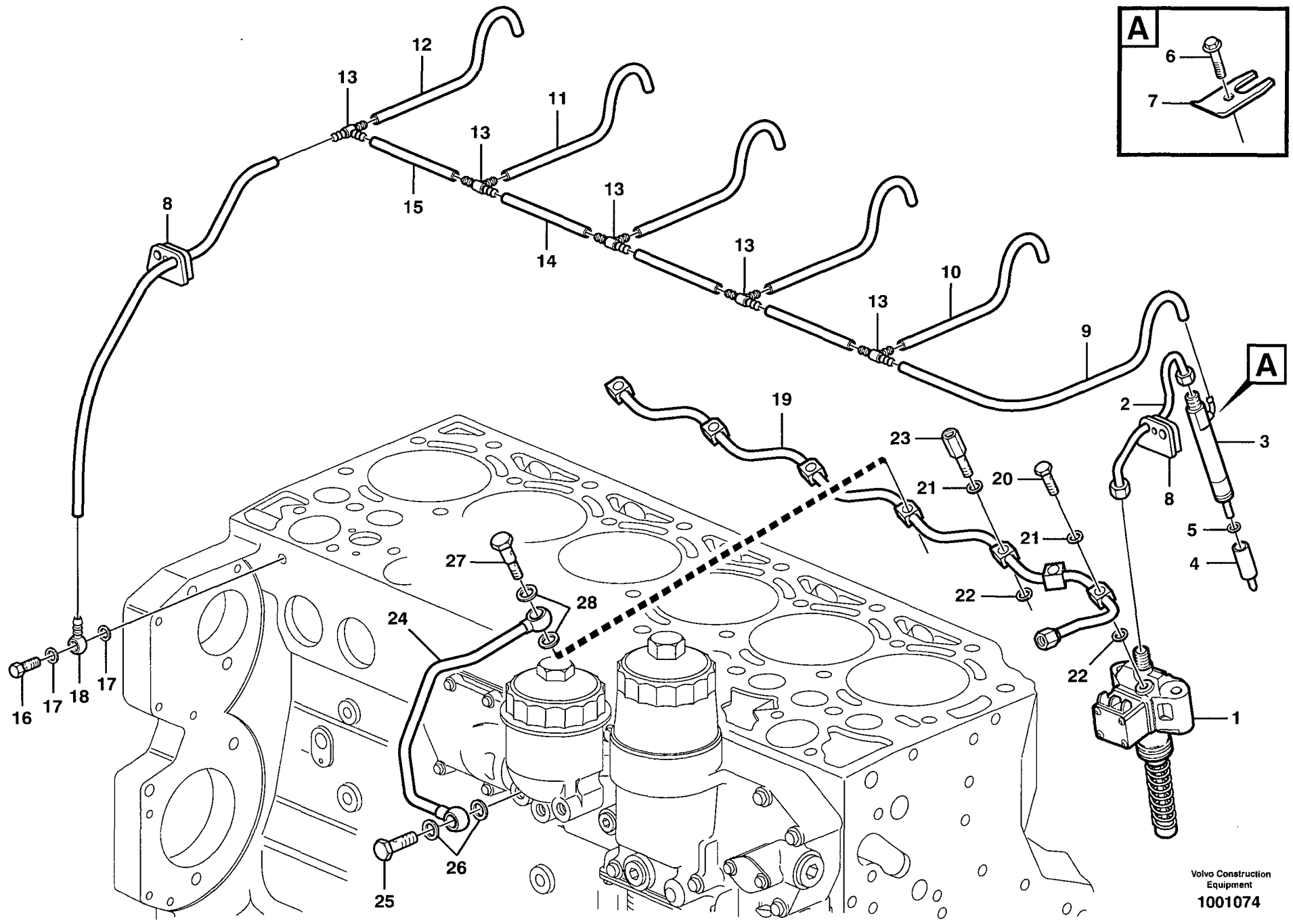


Fig.	Part No.	Quantity			P S	K I T	Description	Dénomination	Bezeichnung	품명	Denominación	Notes
		1	2	3								
1		6				Injection pump.....	Pompe injection .....	Einspritzpumpe .....	분사 펌프 .....	Bomba injeccion.....		
2	VOE 20460100	6				Fuel Pipe.....	Conduit Carburant.....	Kraftst Leitung .....	연료 파이프 .....	Tubo Combustib.....		
3	VOE 20460099	6				Injector .....	Injecteur .....	Einspritzdüse .....	인젝터 .....	Inyector.....		
4	VOE 20460098	6				•Nozzle.....	•Nez D'injecteur.....	•Einspritzduse .....	•노즐.....	•Tobera.....		
5	VOE 11700426	6				Sealing Ring.....	Bagu.etancheite .....	Runddichtring .....	시일 링 .....	Anillo Reten.....		
6	VOE 20405559	6				Screw .....	Vis .....	Schraube .....	스크류 .....	Tornillo.....		
7	VOE 11700424	12				Retainer .....	Retenue .....	Halter .....	리테이너 .....	Soporte.....		
8	VOE 11700487	6				Rubber Seal.....	Levre Caoutcho.....	Gummilippe.....	고무 시일.....	Labio Goma.....		
9		1			NS	Fuel Hose.....	Flexi.carburant .....	Kraftstschlauch .....	연료 호스.....	Manguera Comb.....		
10		1			NS	Fuel Hose.....	Flexi.carburant .....	Kraftstschlauch .....	연료 호스.....	Manguera Comb.....		
11		1			NS	Fuel Hose.....	Flexi.carburant .....	Kraftstschlauch .....	연료 호스.....	Manguera Comb.....		
12		1			NS	Fuel Hose.....	Flexi.carburant .....	Kraftstschlauch .....	연료 호스.....	Manguera Comb.....		
13		1			NS	Fuel Hose.....	Flexi.carburant .....	Kraftstschlauch .....	연료 호스.....	Manguera Comb.....		
14		1			NS	Fuel Hose.....	Flexi.carburant .....	Kraftstschlauch .....	연료 호스.....	Manguera Comb.....		
15		1			NS	Fuel Hose.....	Flexi.carburant .....	Kraftstschlauch .....	연료 호스.....	Manguera Comb.....		
16		1			NS	Delivery Valve .....	Soup.refouleme.....	Druckventil .....	딜리버리 밸브 .....	Valvula Presion.....		
17		1			NS	Gasket.....	Joint .....	Dichtung .....	가스켓 .....	Junta.....		
18		1			NS	Nipple.....	Raccord.....	Nippel .....	니플 .....	Niple.....		
19	VOE 20482777	1				Fuel Pipe.....	Conduit Carburant.....	Kraftst Leitung .....	연료 파이프 .....	Tubo Combustib.....		
20	VOE 20482778	4				Hollow Screw .....	Vis Creuse .....	Lochschaube .....	스크류 .....	Tornillo hueca.....		
21	VOE 11700632	5				Sealing Ring.....	Bagu.etancheite .....	Runddichtring .....	시일 링 .....	Anillo Reten.....		
22	VOE 20450672	5				Sealing Ring.....	Bagu.etancheite .....	Runddichtring .....	시일 링 .....	Anillo Reten.....		
23	VOE 20482779	1				Socket.....	Socle .....	Socket .....	소켓 .....	Zocalo.....		
24	VOE 20460062	1				Fuel Pipe.....	Conduit Carburant.....	Kraftst Leitung .....	연료 파이프 .....	Tubo Combustib.....		
25	VOE 7025167	1				Hollow Screw .....	Vis Creuse .....	Lochschaube .....	스크류 .....	Tornillo hueca.....		
26	VOE 13969011	2				Gasket.....	Joint .....	Dichtung .....	가스켓 .....	Junta.....		
27	VOE 20460049	1				Banjo Fitting .....	Raccord Banjo .....	Schwenkkupplung .....	밴조 피팅.....	Conexion Banjo.....		
28	VOE 11700632	2				Gasket.....	Joint .....	Dichtung .....	가스켓 .....	Junta.....		

1	8277784	<b>Tuberías de combustible, inyector</b> 연료라인 및 인젝터 <b>Brennstoffrohre</b> <b>Canalisation à combustible, injecteur</b> <b>Fuel lines and injectors</b>	Catalogue id	Group
2			56141	237
3			Illustr. No	Section
4			1001074	100
5			Issue	Page
			VOE 7414356141	91

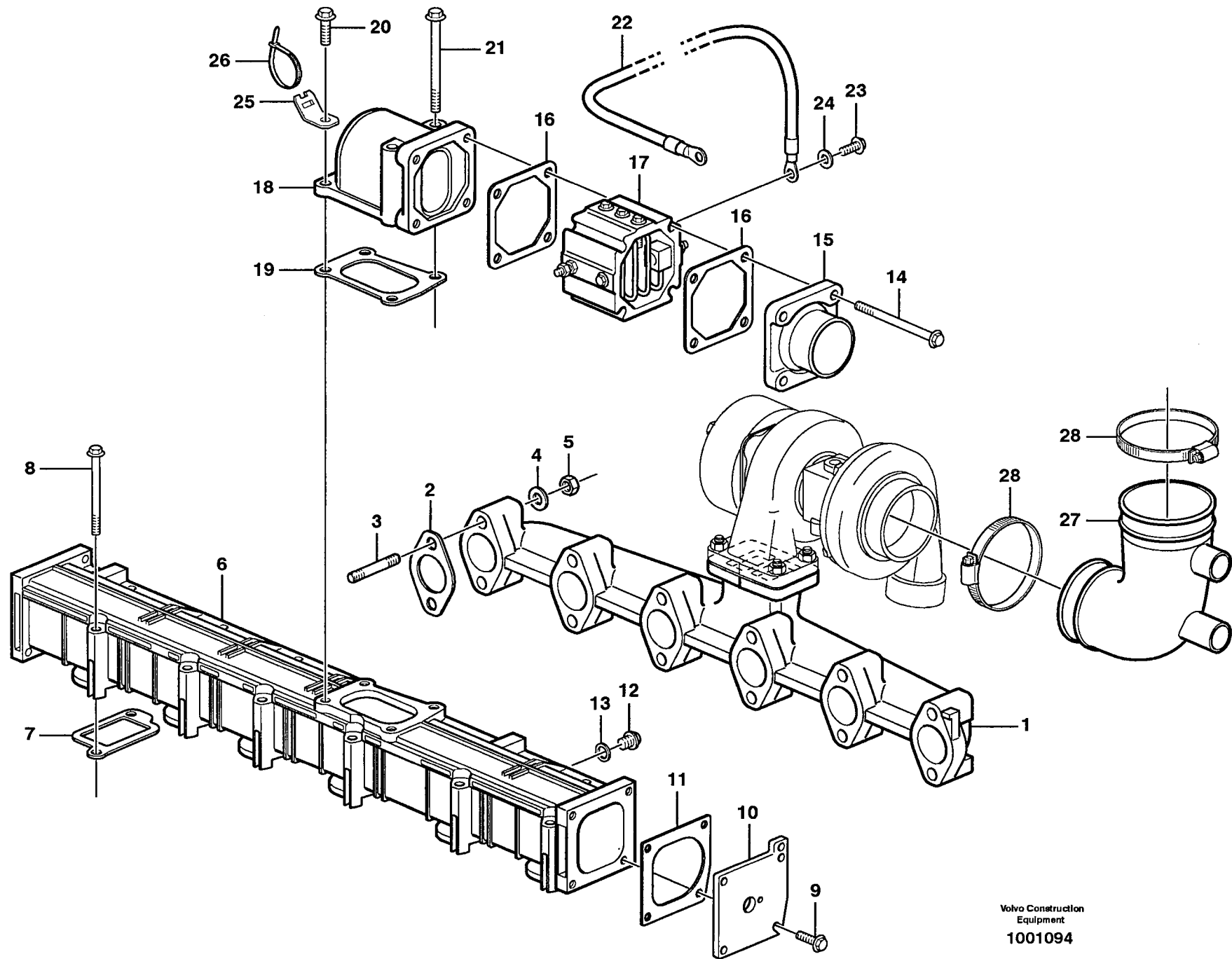


Fig.	Part No.	Quantity			P S	K I T	Description	Dénomination	Bezeichnung	품명	Denominación	Notes
		1	2	3								
1	VOE 20459232	1				Exhaust Pipe.....	Tuyau d'echappem.....	Auspuffrohr .....	배기관 .....	Tube Escape.....		
2	VOE 20405589	6				Gasket.....	Joint .....	Dichtung .....	가스켓 .....	Junta.....		
3	VOE 20405587	12				Stud.....	Goujon .....	Stiftschraube .....	스터드 .....	Esparrago.....		
4	VOE 20405588	12				Washer.....	Rondelle.....	Scheibe .....	와셔 .....	Arandela.....		
5	VOE 20405593	12				Hexagon Nut.....	Ecrou Hexagonal .....	Sechskantmutter .....	너트 .....	Tuerca Hexagon.....		
6	VOE 20459223	1				Charge Air Pipe.....	Tuyau Suralimen.....	Ladeluftrohr .....	차지 에어 파이프.....	Tube Admis Aire.....		
7	VOE 20459222	6				Gasket.....	Joint .....	Dichtung .....	가스켓 .....	Junta.....		
8	VOE 20459834	12				Screw.....	Vis .....	Schraube .....	스크류 .....	Tornillo.....		
9	VOE 20459228	8				Bolt.....	Boulon.....	Bolzen .....	볼트 .....	Perno.....		
10		2			NS	Cap .....	Chapeau .....	Kappe .....	캡 .....	Caperuza.....		
11	VOE 20459226	2				Gasket.....	Joint .....	Dichtung .....	가스켓 .....	Junta.....		
12	VOE 20451012	1				Screw.....	Vis .....	Schraube .....	스크류 .....	Tornillo.....		
13	VOE 13947621	1				Plane Gasket .....	Joint Plan .....	Plandichtung .....	평 가스켓.....	Junta Plana.....		
14	VOE 2046123	4				Screw.....	Vis .....	Schraube .....	스크류 .....	Tornillo.....		
15	VOE 20460125	1				Adapter .....	Raccord Reduct. ....	Verbind Stutzen .....	어댑터 .....	Adaptador.....		
16	VOE 20459068	2				Gasket.....	Joint .....	Dichtung .....	가스켓 .....	Junta.....		
17	VOE 20459067	1				Heater .....	Eleme.chauffage .....	Heizkörper .....	히터 .....	Calefaccion.....		
18	VOE 20460126	1				Elbow .....	Coude .....	Winkelstueck .....	엘보 .....	Codo.....		
19	VOE 20460122	1				Gasket.....	Joint .....	Dichtung .....	가스켓 .....	Junta.....		
20	VOE 20405504	2				Screw.....	Vis .....	Schraube .....	스크류 .....	Tornillo.....		
21	VOE 20460124	2				Screw.....	Vis .....	Schraube .....	스크류 .....	Tornillo.....		
22	VOE 20459932	1				Cable.....	Cable.....	Seil .....	케이블 .....	Cable.....		
23	VOE 20441520	1				Flange Screw .....	Vis A Bride .....	Flanschschrabe .....	플랜지 스크류 .....	Torn Embridado.....		
24	VOE 20460127	1				Washer.....	Rondelle.....	Scheibe .....	와셔 .....	Arandela.....		
25	VOE 20450997	1				Plate.....	Tole .....	Blech .....	플레이트 .....	Chapa.....		
26	VOE 4881440	1				Strip Clamp .....	Ruban Serrage.....	Bandklammer .....	스트립 클램프 .....	Abraz Cinta.....		
27	VOE 20459250	1				Charge Air Pipe.....	Tuyau Suralimen.....	Ladeluftrohr .....	차지 에어 파이프.....	Tube Admis Aire.....		
28	VOE 943482	2				Hose Clamp .....	Collier Serrage .....	Schlauchschelle .....	호스 클램프 .....	Abraz Manguera.....		

1	8277784	<b>Tubo admisión y múltiple escape</b> 흡기 매니홀드 및 배기 매니홀드 <b>Ansaugrohr und Auspuffkrümmer</b> <b>Tubulure admission et tubulure echappement</b> <b>Inlet manifold and exhaust manifold</b>	Catalogue id	Group
2			56141	251
3			Illustr. No	Section
4			1001094	100
5			Issue	Page
			VOE 7414356141	93

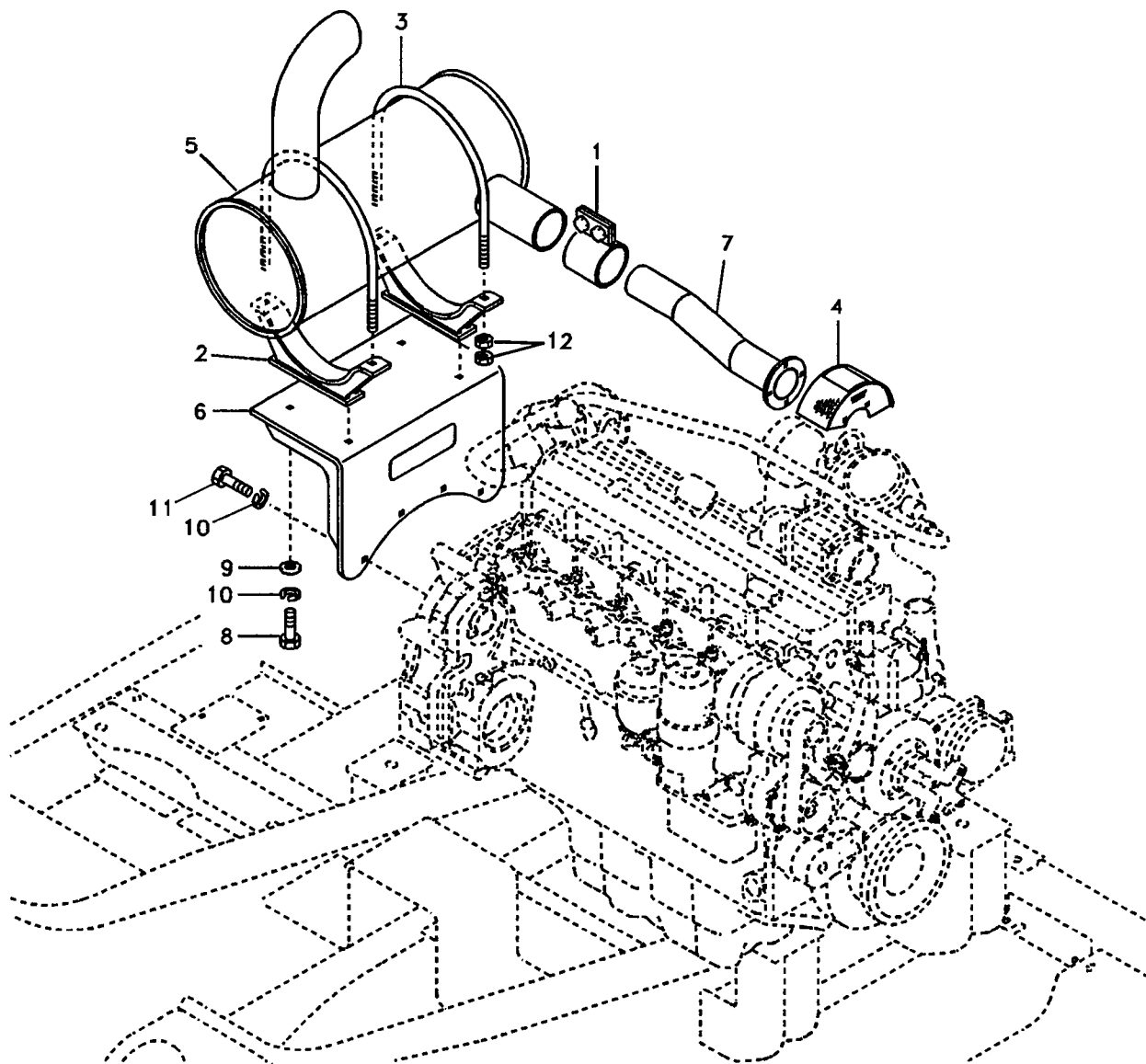
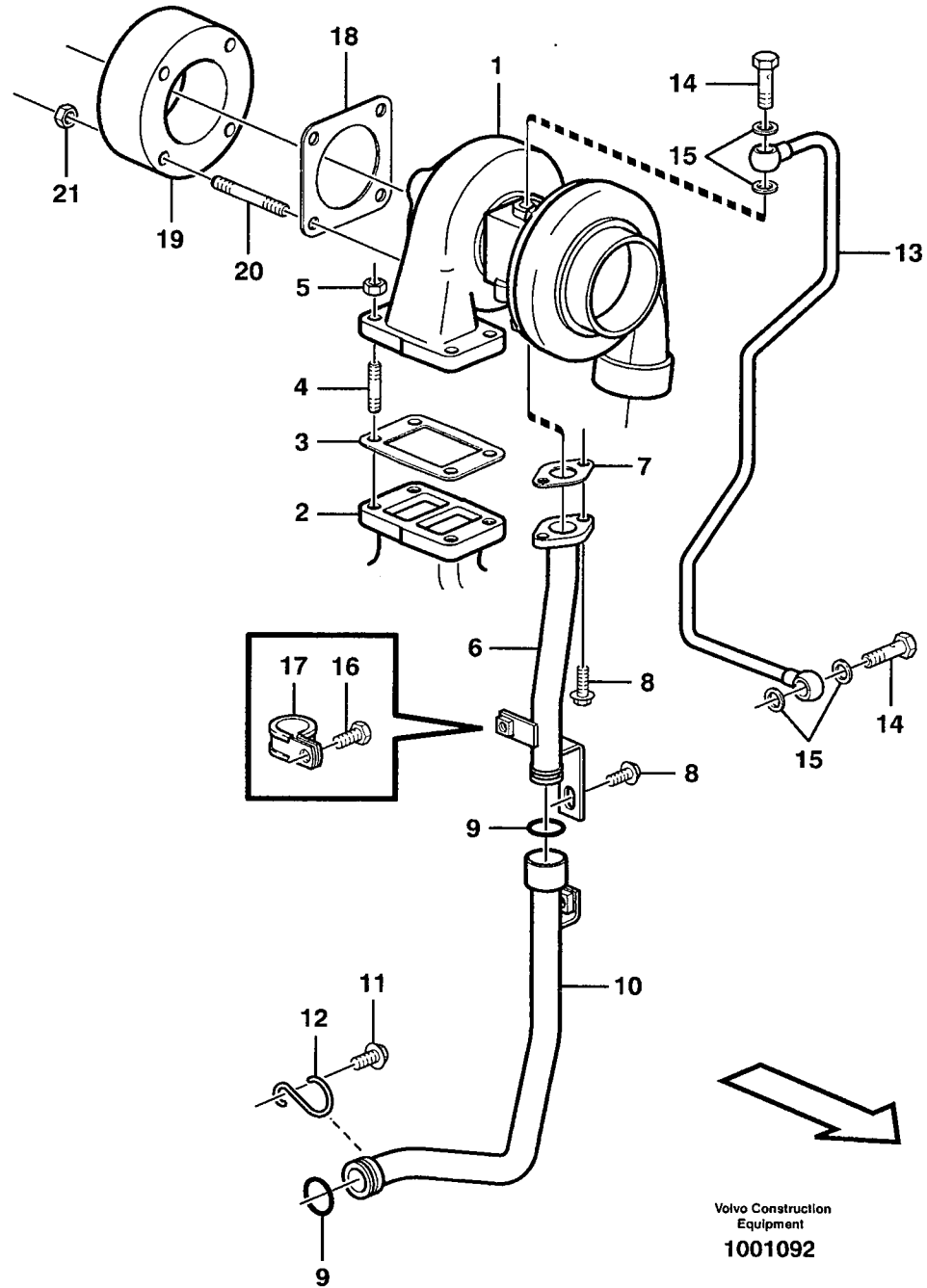


Fig.	Part No.	Quantity			P S	K I T	Description	Dénomination	Bezeichnung	품명	Denominación	Notes
		1	2	3								
1	SA 1114-00030	1				Clamp.....	Pince Serrage .....	Klemme.....	클램프 .....	Abrazadera.....		
2	SA 1114-00370	2				Bracket.....	Console.....	Konsole .....	브라켓 .....	Ménsula.....		
3	SA 1114-00250	2				U-bolt .....	Etrier Ressort .....	Federbride .....	유 볼트 .....	Abrazadera-u.....		
4	VOE 14516338	1				Screen.....	Ecran.....	Schirm .....	스크린 .....	Pantalla.....		
5	VOE 14504919	1				Muffler .....	Silencieux.....	Schalldämpfer.....	소음기 .....	Silencioso.....		
6	VOE 14504921	1				Bracket.....	Console.....	Konsole .....	브라켓 .....	Ménsula.....		
7	VOE 14516339	1				Pipe.....	Canalisation .....	Rohrleitung .....	파이프 .....	Canalizacion.....		
8	VOE 983252	4				Screw .....	Vis .....	Schraube .....	스크류 .....	Tornillo.....		
9	SA 9211-10000	4				Washer.....	Rondelle.....	Scheibe .....	와셔 .....	Arandela.....		
10	VOE 955922	8				Spring Washer .....	Rondelle ressort.....	Federscheibe.....	스프링 와셔 .....	Arandela resorte.....		
11	VOE 983253	4				Screw .....	Vis .....	Schraube .....	스크류 .....	Tornillo.....		
12	VOE 983304	8				Nut .....	Ecrou.....	Mutter .....	너트 .....	Tuerca.....		

1	8277784	<b>Sistema de escape</b> 배기 장치 <b>Auspuffanlage</b> <b>Système d'échappement</b> <b>Exhaust system</b>	Catalogue id	Group
2			<b>56141</b>	<b>252</b>
3			Illustr. No	Section
4			<b>TA106</b>	<b>100</b>
5			Issue	Page
			<b>VOE 7414356141</b>	<b>95</b>





Volvo Construction  
 Equipment  
 1001092

Fig.	Part No.	Quantity			P S	K I T	Description	Dénomination	Bezeichnung	품명	Denominación	Notes
		1	2	3								
1	VOE 20459239	1				Turbocharger .....	Turbocompresse. ....	Abgasturbolader .....	터보과급기 .....	Turbocompresor.....		
		1				•Repair Kit.....	•Kit Reparation .....	•Reparatursatz .....	•수리 키트 .....	•Kit Reparacion.....		
2		1				Exhaust Pipe.....	Tuyau d'echappem....	Auspuffrohr .....	배기관 .....	Tube Escape.....		
3	VOE 20405970	1				Gasket.....	Joint .....	Dichtung .....	가스켓 .....	Junta.....		
4	VOE 20412314	4				Stud.....	Goujon .....	Stiftschraube .....	스터드 .....	Esparrago.....		
5	VOE 20412308	4				Hexagon Nut.....	Ecrou Hexagonal .....	Sechskantmutter .....	너트 .....	Tuerca Hexagon.....		
6	VOE 20459176					Return Line .....	Conduit Retour.....	Ruckaufleitung .....	리턴 라인 .....	Conduct Return.....		
7	VOE 20405790	1				Sealing Ring.....	Bagu.etancheite .....	Runddichtring .....	시일 링 .....	Anillo Reten.....		
8	VOE 20405885	2				Screw .....	Vis .....	Schraube .....	스크류 .....	Tornillo.....		
9	VOE 20405822	2				Sealing Ring.....	Bagu.etancheite .....	Runddichtring .....	시일 링 .....	Anillo Reten.....		
10	VOE 20459175	1				Fuel Pipe .....	Conduit Carbura.....	Kraftst Leitung .....	연료 파이프 .....	Tube Combustib.....		
11	VOE 20405792	1				Screw .....	Vis .....	Schraube .....	스크류 .....	Tornillo.....		
12	VOE 20405789	1				Plane Gasket .....	Joint Plan .....	Plandichtung .....	평 가스켓 .....	Junta Plana.....		
13	VOE 20459187	1				Oil Line.....	Conduit Huile .....	Ölleitung .....	오일 라인 .....	Tube Aceite.....		
14	VOE 7025167	2				Hollow Screw .....	Vis Creuse .....	Lochschraube .....	스크류 .....	Tornillo hueco.....		
15	VOE 13947621	4				Plane Gasket .....	Joint Plan .....	Plandichtung .....	평 가스켓 .....	Junta Plana.....		
16	VOE 20405792	1				Screw .....	Vis .....	Schraube .....	스크류 .....	Tornillo.....		
17	VOE 20450987	1				Clamp.....	Pince Serrage .....	Klemme .....	클램프 .....	Abrazadera.....		
18	VOE 20405969	1				Gasket.....	Joint .....	Dichtung .....	가스켓 .....	Junta.....		
19	VOE 20459237	1				Flange .....	Flasque .....	Flansch .....	플랜지 .....	Brida.....		
20	VOE 20412314	4				Stud.....	Goujon .....	Stiftschraube .....	스터드 .....	Esparrago.....		
21	VOE 20412308	1				Hexagon Nut.....	Ecrou Hexagonal .....	Sechskantmutter .....	너트 .....	Tuerca Hexagon.....		

1	8277784	<b>Turboalimentador con accesorios de montaje</b>	Catalogue id	Group
2		터보 과급기 및 장착 부품	<b>56141</b>	<b>255</b>
3		<b>Torbolader mit Anbauteilen</b>	Illustr. No	Section
4		<b>Turbocompresseur avec pièces de montage</b>	<b>1001092</b>	<b>100</b>
5		<b>Turbocharger with fitting parts</b>	Issue	Page
			<b>VOE 7414356141</b>	<b>97</b>

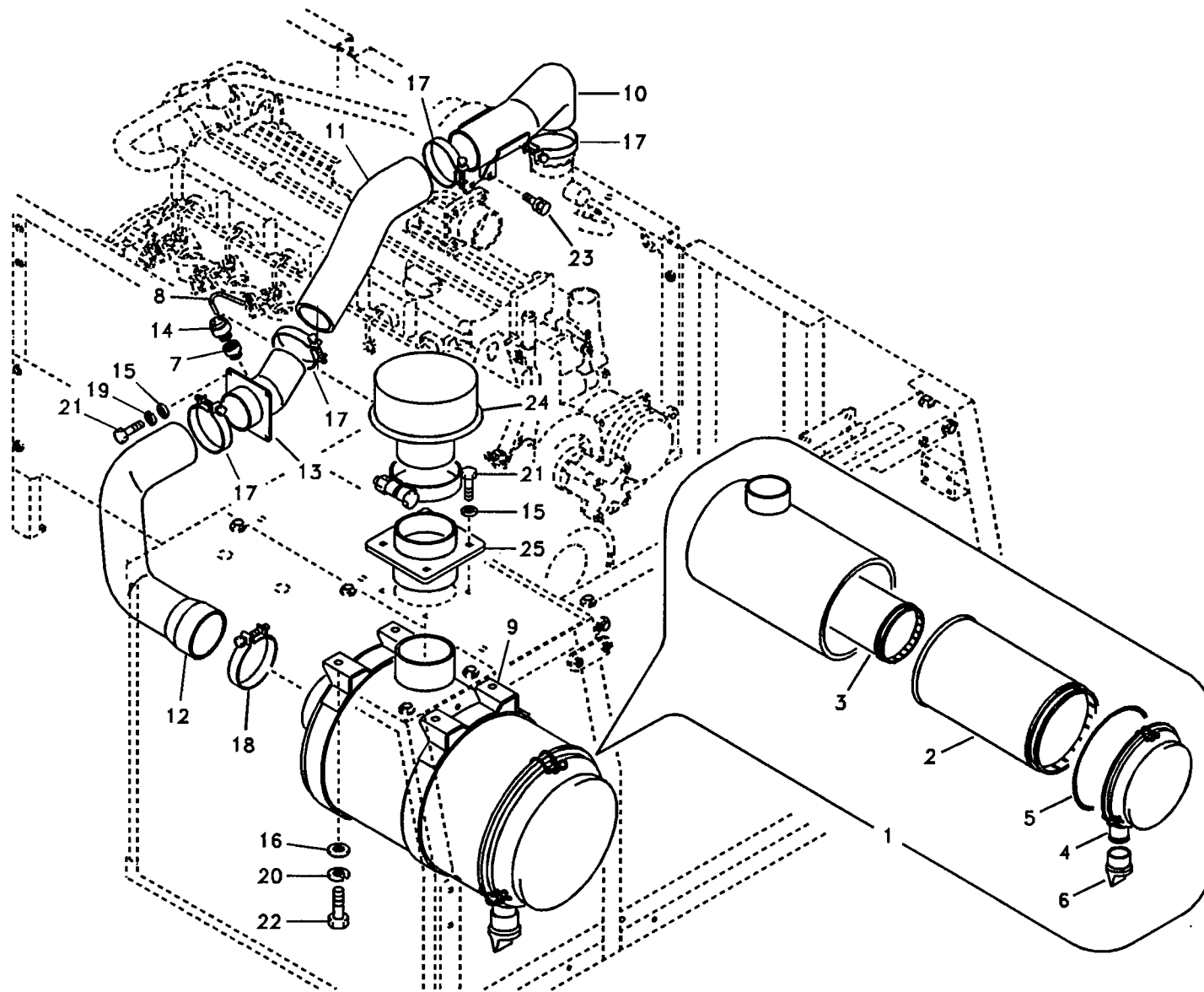


Fig.	Part No.	Quantity			P S	K I T	Description	Dénomination	Bezeichnung	품명	Denominación	Notes
		1	2	3								
1	VOE 14510586	1				Air Cleaner .....	Filtre Air.....	Luftfilter .....	에어 크리너 .....	Filtro Aire.....		
2	VOE 11110175	1				•Filter.....	•Filtre.....	•Filter.....	•필터.....	•Filtro.....		
3	VOE 11110176	1				•Safety Filter .....	•.....	•.....	•안전 필터.....	•.....		
4	VOE 11705909	1				•Cap .....	•Chapeau .....	•Kappe .....	•캡.....	•Caperuza.....		
5	VOE 11705910	1				•O-ring.....	•Joint Torique.....	•O-ring.....	•오링.....	•Junta torica.....		
6	VOE 14515424	1				•Vacuator .....	•Evacuation .....	•Vacuator.....	•진공기 .....	•Vaciador.....		
7	VOE 14506431	1				Connector .....	Raccord.....	Anschluss .....	커넥터 .....	Union.....		
8	VOE 14508224	1				Hose.....	Durit .....	Schlauch .....	호스 .....	Tubo flexible.....		
9	VOE 14509568	2				Clamp.....	Pince Serrage .....	Klemme .....	클램프 .....	Abrazadera.....		
10	VOE 14510581	1				Connector .....	Raccord.....	Anschluss .....	커넥터 .....	Union.....		
11	VOE 14512396	1				Inlet Hose.....	Flexi.admission .....	Einlassschlauch.....	흡기 호스.....	Manguera Admis.....		
12	VOE 14512433	1				Inlet Hose.....	Flexi.admission .....	Einlassschlauch.....	흡기 호스.....	Manguera Admis.....		
13	VOE 14516335	1				Connector .....	Raccord.....	Anschluss .....	커넥터 .....	Union.....		
14	VOE 70314102	1				Vacuum Switch .....	Contact Depres.....	Vakuumschalter .....	진공 스위치 .....	Contacto Vacio.....		
15	SA 9211-08000	4	4			Washer.....	Rondelle.....	Scheibe .....	와셔 .....	Arandela.....		
16	SA 9211-10000	4				Washer.....	Rondelle.....	Scheibe .....	와셔 .....	Arandela.....		
17	SA 9313-10425	4				Clamp.....	Pince Serrage .....	Klemme .....	클램프 .....	Abrazadera.....		
18	SA 9313-10475	1				Clamp.....	Pince Serrage .....	Klemme .....	클램프 .....	Abrazadera.....		
19	VOE 955921	4				Spring Washer .....	Rondelle ressort.....	Federscheibe.....	스프링 와셔 .....	Arandela resorte.....		
20	VOE 955922	4				Spring Washer .....	Rondelle ressort.....	Federscheibe.....	스프링 와셔 .....	Arandela resorte.....		
21	VOE 983242	4	4			Screw .....	Vis .....	Schraube .....	스크류 .....	Tornillo.....		
22	VOE 983251	4				Screw .....	Vis .....	Schraube .....	스크류 .....	Tornillo.....		
23	VOE 968842	2				Flange Screw .....	Vis A Bride .....	Flanschschraube .....	플랜지 스크류 .....	Torn Embridado.....		
24	SA 1113-01050		1			Pre-cleaner .....	Prefiltre.....	Vorreiniger .....	프리크리너 .....	Prefiltro.....		
25	VOE 14517568	1				Connector .....	Raccord.....	Anschluss .....	커넥터 .....	Union.....		

1	8277784	<b>Sistema de aspiración</b> 흡기 장치 <b>Ansaugsystem</b> <b>Système d'aspiration</b> <b>Inlet system</b>	Catalogue id	Group
2	8277797		<b>56141</b>	<b>256</b>
3			Illustr. No	Section
4			<b>TA107</b>	<b>100</b>
5			Issue	Page
			<b>VOE 7414356141</b>	<b>99</b>

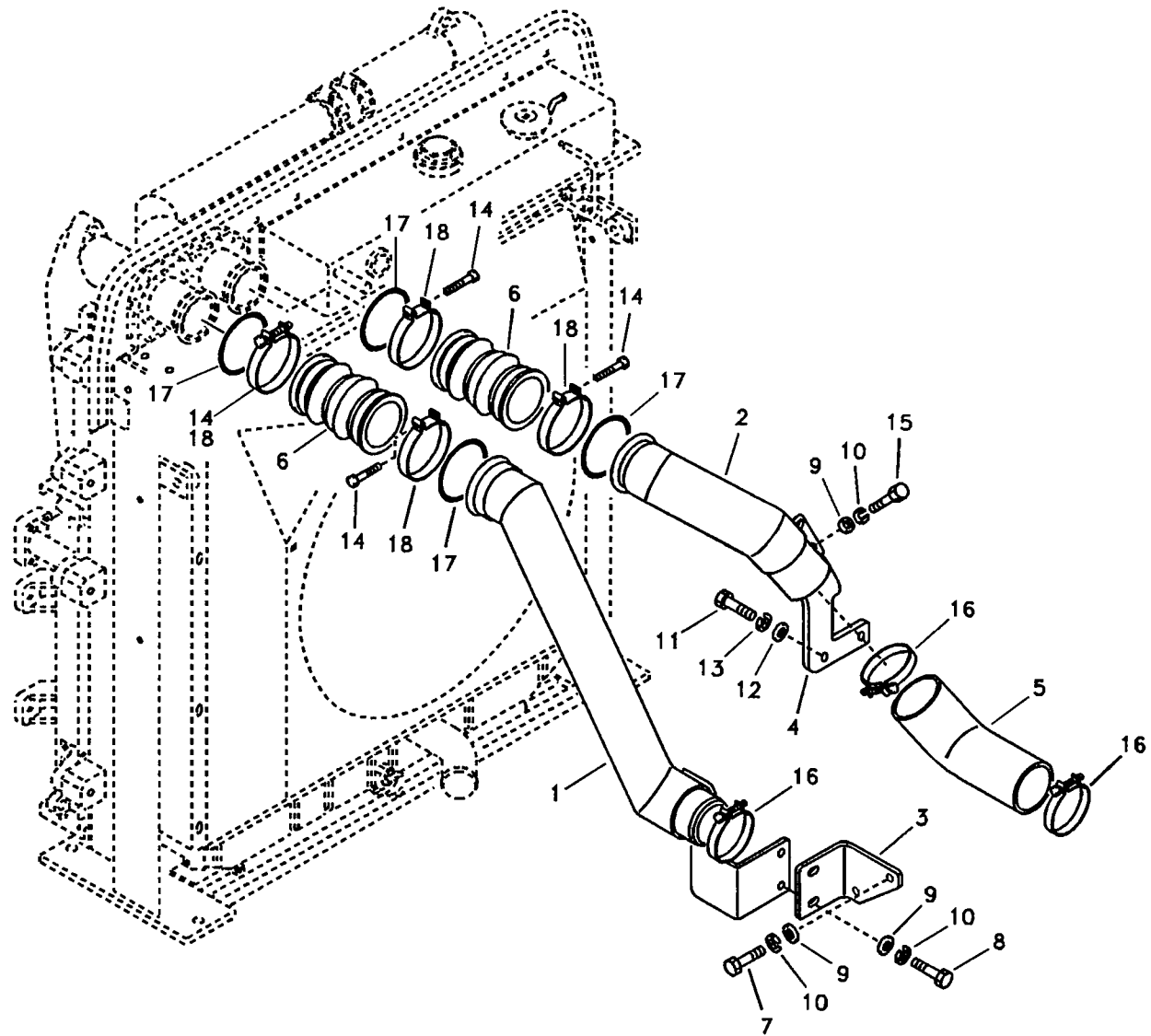


Fig.	Part No.	Quantity			P S	K I T	Description	Dénomination	Bezeichnung	품명	Denominación	Notes
		1	2	3								
1	VOE 14512637	1				Pipe.....	Canalisation .....	Rohrleitung .....	파이프 .....	Canalización.....		
2	VOE 14512538	1				Pipe.....	Canalisation .....	Rohrleitung .....	파이프 .....	Canalización.....		
3	VOE 14510914	1				Bracket.....	Console.....	Konsole.....	브라켓 .....	Ménsula.....		
4	VOE 14512397	1				Connector .....	Raccord.....	Anschluss .....	커넥터 .....	Union.....		
5	VOE 14504935	1				Hose.....	Durit .....	Schlauch .....	호스 .....	Tubo flexible.....		
6	VOE 14512510	2				Hose.....	Durit .....	Schlauch .....	호스 .....	Tubo flexible.....		
7	VOE 983242	2				Screw.....	Vis .....	Schraube .....	스크류 .....	Tornillo.....		
8	VOE 983243	2				Screw.....	Vis .....	Schraube .....	스크류 .....	Tornillo.....		
9	SA 9211-08000	6				Washer.....	Rondelle.....	Scheibe .....	와셔 .....	Arandela.....		
10	VOE 955921	6				Spring Washer .....	Rondelle ressort.....	Federscheibe.....	스프링 와셔 .....	Arandela resorte.....		
11	VOE 983251	2				Screw.....	Vis .....	Schraube .....	스크류 .....	Tornillo.....		
12	SA 9211-10000	2				Washer.....	Rondelle.....	Scheibe .....	와셔 .....	Arandela.....		
13	VOE 955922	2				Spring Washer .....	Rondelle ressort.....	Federscheibe.....	스프링 와셔 .....	Arandela resorte.....		
14	VOE 969587	4				6-pt Skt Screw.....	Vis Creuse 6 De .....	6-zahn Hohlschr .....	6 포인트 소켓 스크류 .....	Racor 6-dientes.....		
15	VOE 983244	2				Screw.....	Vis .....	Schraube .....	스크류 .....	Tornillo.....		
16	SA 9313-10300	3				Clamp.....	Pince Serrage .....	Klemme .....	클램프 .....	Abrazadera.....		
17	VOE 1542780	4				O-ring.....	Joint Torique .....	O-ring .....	오링 .....	Junta torica.....		
18	VOE 1542776	4				Clamp.....	Pince Serrage .....	Klemme .....	클램프 .....	Abrazadera.....		

1	8277784	<b>Enfriador del aire de admisión, tuberías</b> 차지 에어 쿨러 배관 <b>Ladeluftkühler, Rohre</b> <b>Echangeur intermédiaire, plombage</b> <b>Charge air cooler, plumbing</b>	Catalogue id	Group
2			<b>56141</b>	<b>258</b>
3			Illustr. No	Section
4			<b>TA108</b>	<b>200</b>
5			Issue	Page
		<b>VOE 7414356141</b>	<b>101</b>	

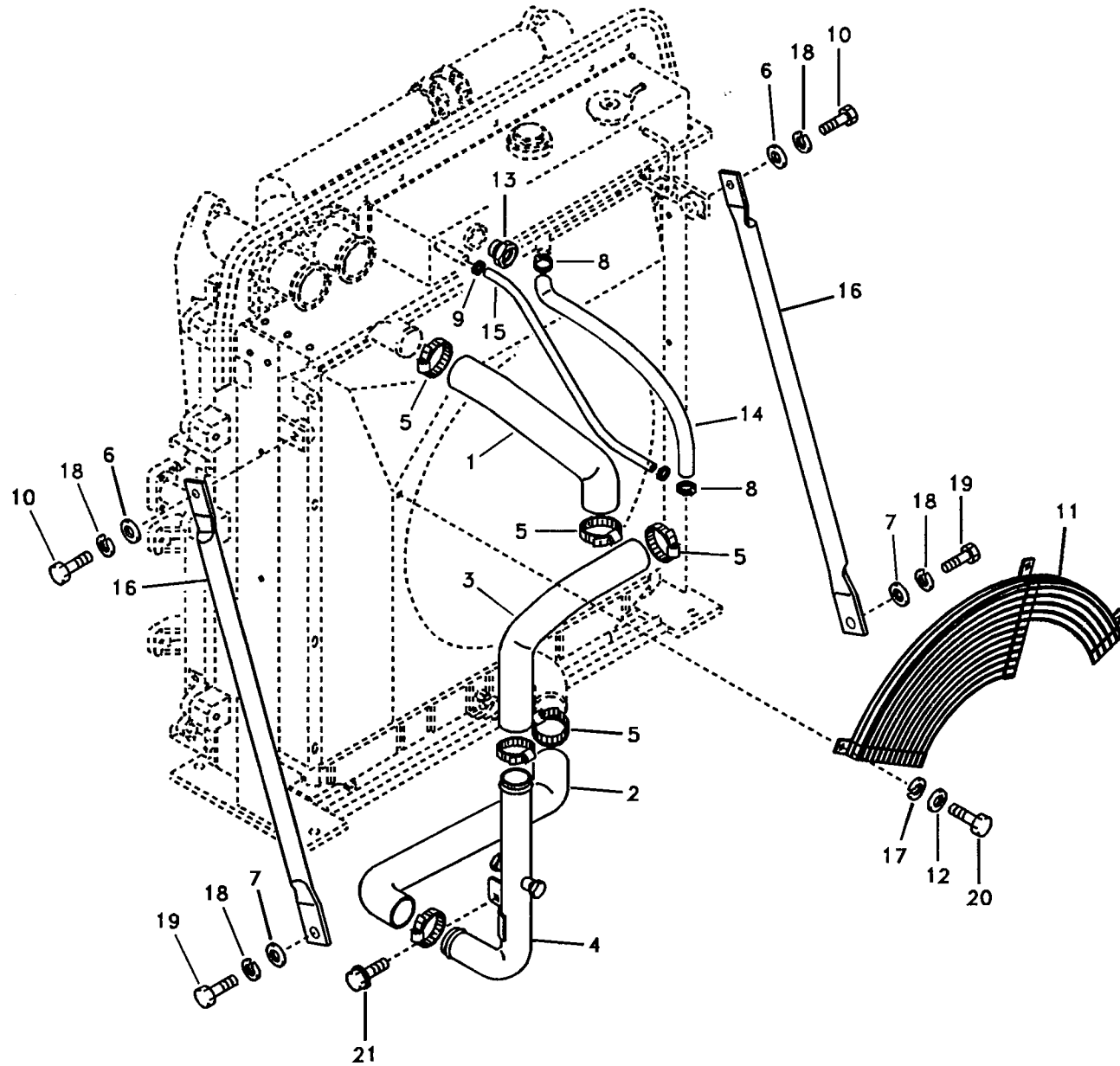


Fig.	Part No.	Quantity			P S	K I T	Description	Dénomination	Bezeichnung	품명	Denominación	Notes
		1	2	3								
1	VOE 14510585	1				Hose.....	Durit .....	Schlauch .....	호스 .....	Tubo flexible.....		
2	VOE 14510584	1				Hose.....	Durit .....	Schlauch .....	호스 .....	Tubo flexible.....		
3	VOE 14504913	1				Hose.....	Durit .....	Schlauch .....	호스 .....	Tubo flexible.....		
4	VOE 14512638	1				Pipe.....	Canalisation .....	Rohrleitung .....	파이프 .....	Canalización.....		
5	SA 9312-10300	6				Clamp.....	Pince Serrage .....	Klemme .....	클램프 .....	Abrazadera.....		
6	SA 9211-12000	2				Washer.....	Rondelle .....	Scheibe .....	와셔 .....	Arandela.....		
7	SA 2015-00370	2				Washer.....	Rondelle .....	Scheibe .....	와셔 .....	Arandela.....		
8	SA 9312-10175	2				Clamp.....	Pince Serrage .....	Klemme .....	클램프 .....	Abrazadera.....		
9	SA 9312-00004	2				Clamp.....	Pince Serrage .....	Klemme .....	클램프 .....	Abrazadera.....		
10	VOE 980755	2				Screw.....	Vis .....	Schraube .....	스크류 .....	Tornillo.....		
11	VOE 14516439	1				Guard.....	Protection .....	Schutz .....	가드 .....	Proteccion.....		
12	SA 9211-08000	3				Washer.....	Rondelle .....	Scheibe .....	와셔 .....	Arandela.....		
13	VOE 14506388	1				Gauge.....	Calibre .....	Schablone.....	게이지 .....	Plantilla.....		
14	SA 9962-02110	1				Hose.....	Durit .....	Schlauch .....	호스 .....	Tubo flexible.....		
15	SA 9962-00609	1				Hose.....	Durit .....	Schlauch .....	호스 .....	Tubo flexible.....		
16	VOE 14513302	2				Stay.....	Tirant.....	Strebe .....	스테인 .....	Barra.....		
17	VOE 955921	3				Spring Washer.....	Rondelle ressort.....	Federscheibe.....	스프링 와셔 .....	Arandela resorte.....		
18	VOE 955923	4				Washer.....	Rondelle .....	Scheibe .....	와셔 .....	Arandela.....		
19	VOE 978933	2				Screw.....	Vis .....	Schraube .....	스크류 .....	Tornillo.....		
20	VOE 983242	3				Screw.....	Vis .....	Schraube .....	스크류 .....	Tornillo.....		
21	VOE 946441	2				Flange Screw.....	Vis A Bride .....	Flanschschraube .....	플랜지 스크류 .....	Torn Embridado.....		

1	8277784	<b>Sistema de refrigeración</b> 냉각장치 <b>Kühlanlage</b> <b>Système de refroidissement</b> <b>Cooling system</b>	Catalogue id	Group
2			<b>56141</b>	<b>261</b>
3			Illustr. No	Section
4			<b>TA109</b>	<b>100</b>
5			Issue	Page
			<b>VOE 7414356141</b>	<b>103</b>



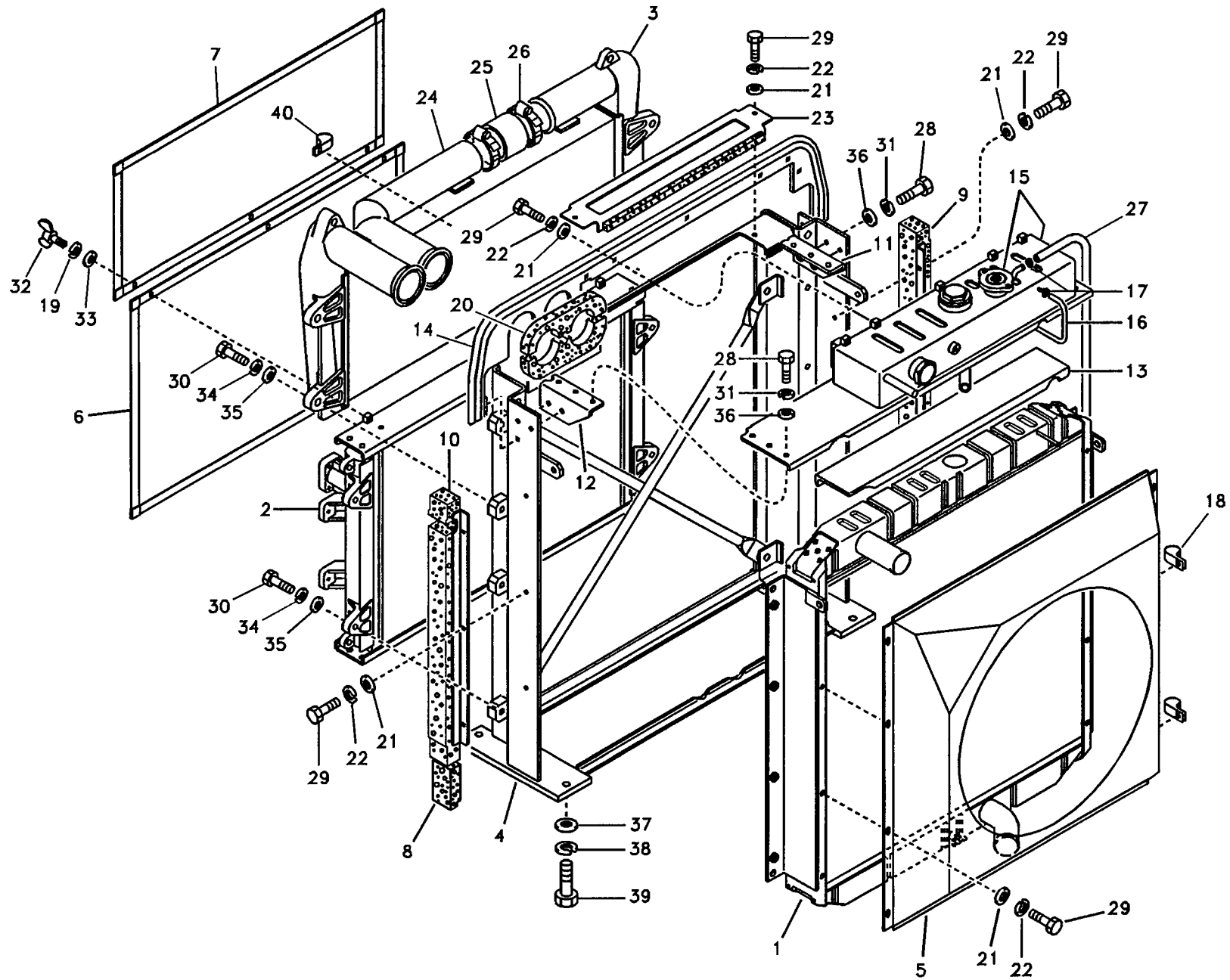


Fig.	Part No.	Quantity			P S	K I T	Description	Dénomination	Bezeichnung	품명	Denominación	Notes
		1	2	3								
	VOE 14517535	1					Radiator .....	Radiateur .....	Radiator .....	라디에이터 .....	Radiator.....	
	VOE 14505915		1				Radiator .....	Radiateur .....	Radiator .....	라디에이터 .....	Radiator.....	
1	VOE 14505916	1	1				•Radiator .....	•Radiateur .....	•Radiator .....	•라디에이터 .....	•Radiador.....	
2	VOE 14515355	1					•Oil Cooler.....	•Refroidisseur huile .....	•Ölkühler.....	•오일 쿨러.....	•Enfriadores aceite....	
	VOE 14505920		1				•Oil Cooler.....	•Refroidisseur huile .....	•Ölkühler.....	•오일 쿨러.....	•Enfriadores aceite....	
3	VOE 14505730	1	1				•Chg Air Cooler .....	•Refoi.air Sural.....	•Ladeluftkuhler .....	•차지 에어 쿨러 .....	•Enfriad Air Car.....	
4	VOE 14505922	1	1				•Guard.....	•Protection.....	•Schutz.....	•가드 .....	•Proteccion.....	
5	VOE 14505924	1					•Fan Shroud .....	•Boitier Ventilateur .....	•Lufterhaube.....	•팬 슈라우드 .....	•Cubierta Ventilador...	
	VOE 14505925		1				•Fan Shroud .....	•Boitier Ventilateur .....	•Lufterhaube.....	•팬 슈라우드 .....	•Cubierta Ventilador...	
6	VOE 14505927	1	1				•Net .....	•Filet.....	•Netz.....	•네트 .....	•Red.....	
7	VOE 14505928	1	1				•Net .....	•Filet.....	•Netz.....	•네트 .....	•Red.....	
8	VOE 14505937	2	2				•Sponge .....	•Eponge .....	•Schwamm .....	•스폰지 .....	•Esponja.....	
9	VOE 14505949	1	1				•Plate .....	•Plaque.....	•Platte.....	•플레이트 .....	•Placa.....	
10	VOE 14505950	1	1				•Plate .....	•Plaque.....	•Platte.....	•플레이트 .....	•Placa.....	
11	VOE 14505954	1	1				•Bracket .....	•Console.....	•Konsole.....	•브라켓 .....	•Ménsula.....	
12	VOE 14505955	1	1				•Bracket .....	•Console.....	•Konsole.....	•브라켓 .....	•Ménsula.....	
13	VOE 14505952	1	1				•Pad .....	•Patin.....	•Belag.....	•패드 .....	•Pastilla.....	
14	VOE 14516438	1	1				•Plate .....	•Plaque.....	•Platte.....	•플레이트 .....	•Placa.....	
15	VOE 14505951	1	1				•Tank.....	•Reservoir .....	•Behälter.....	•탱크 .....	•Deposito.....	
	VOE 14502207	1	1				••Cap.....	••Chapeau.....	••Kappe.....	••캡 .....	••Caperuza.....	
16	VOE 14505953	1	1				•Hose .....	•Durit .....	•Schlauch .....	•호스 .....	•Tubo flexible.....	
17	SA 9312-00005	3	3				•Clamp .....	•Pince Serrage.....	•Klemme.....	•클램프 .....	•Abrazadera.....	
18	SA 9315-01601	2	2				•Clip .....	•Clip.....	•Klemme.....	•클리프 .....	•Clip.....	
19	VOE 955919	3	3				•Spring Washer.....	•Rondelle ressort.....	•Federscheibe .....	•스프링 와셔 .....	•Arandela resorte.....	
20	VOE 14516437	2	2				•Sponge .....	•Eponge .....	•Schwamm .....	•스폰지 .....	•Esponja.....	
21	SA 9211-08000	46	46				•Washer .....	•Rondelle.....	•Scheibe.....	•와셔 .....	•Arandela.....	
22	VOE 955921	46	46				•Spring Washer.....	•Rondelle ressort.....	•Federscheibe .....	•스프링 와셔 .....	•Arandela resorte.....	
23	VOE 14512721	1	1				•Cover .....	•Capot.....	•Haube .....	•커버 .....	•Capo.....	
24		1	1		NS		•Pipe .....	•Canalisation.....	•Rohrleitung.....	•파이프 .....	•Canalización.....	
25	VOE 14512404	1	1				•Hose .....	•Durit .....	•Schlauch .....	•호스 .....	•Tubo flexible.....	

1	8277793	Radiador 라디에이터 Heizung Radiateur Radiator	Catalogue id	Group
2	8277794		56141	261
3			Illustr. No	Section
4			TA110	300
5			Issue	Page
			VOE 7414356141	105

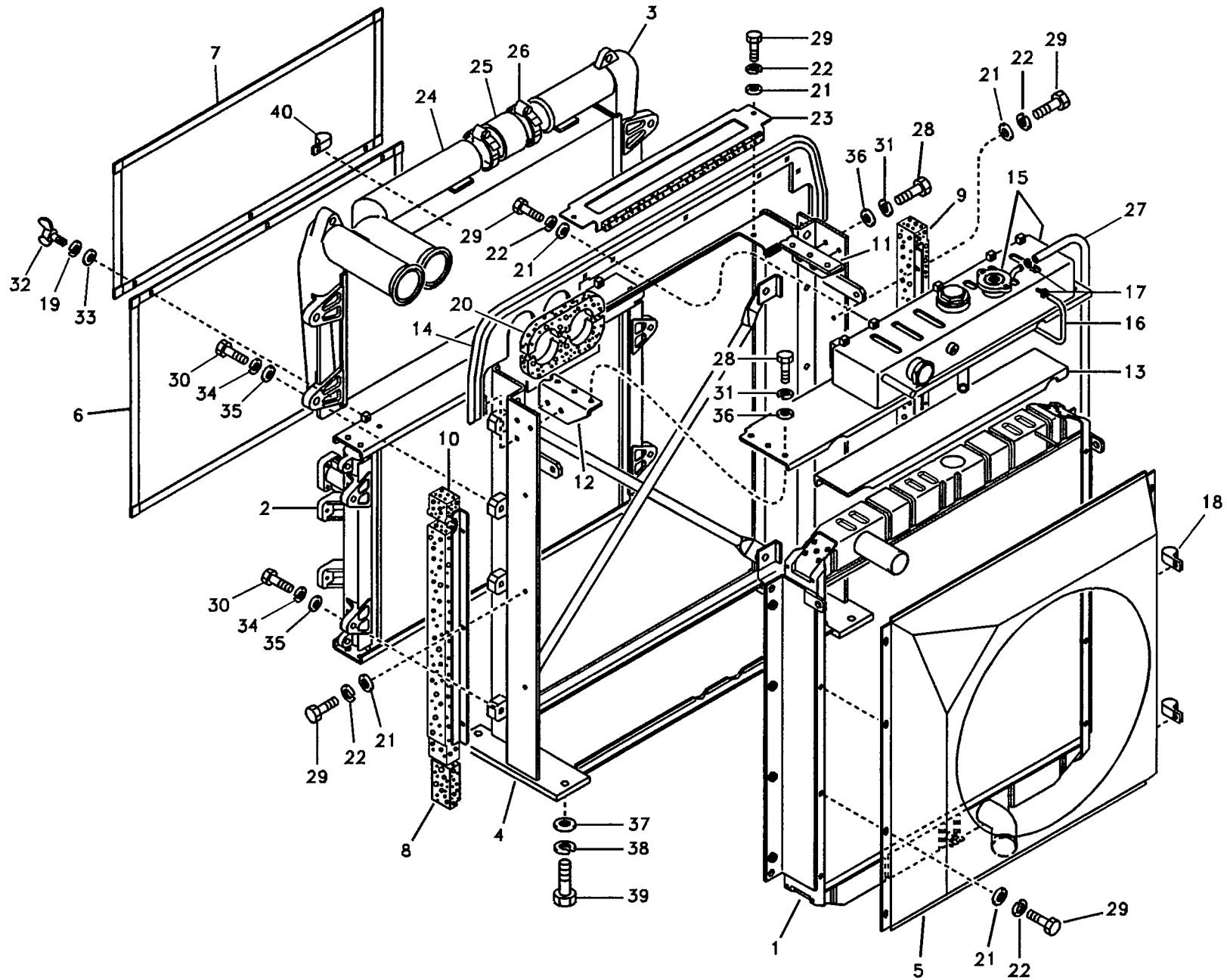


Fig.	Part No.	Quantity			P S	K I T	Description	Dénomination	Bezeichnung	품명	Denominación	Notes
		1	2	3								
26	SA 9313-10300	2	2			•Clamp .....	•Pince Serrage .....	•Klemme .....	• 클램프 .....	•Abrazadera.....		
27	SA 9962-00929	1	1			•Hose .....	•Durit .....	•Schlauch .....	• 호스 .....	•Tubo flexible.....		
28	VOE 983251	11	11			•Screw.....	•Vis.....	•Schraube.....	• 스크류 .....	•Tornillo.....		
29	VOE 983242	46	46			•Screw.....	•Vis.....	•Schraube.....	• 스크류 .....	•Tornillo.....		
30	VOE 978932	8	8			•Screw.....	•Vis.....	•Schraube.....	• 스크류 .....	•Tornillo.....		
31	VOE 955922	11	11			•Spring Washer.....	•Rondelle ressort.....	•Federscheibe .....	• 스프링 와셔 .....	•Arandela resorte.....		
32	SA 9035-10602	3	3			•Bolt .....	•Boulon.....	•Bolzen .....	• 볼트 .....	•Perno.....		
33	SA 9211-06000	3	3			•Washer .....	•Rondelle.....	•Scheibe .....	• 와셔 .....	•Arandela.....		
34	VOE 955923	8	8			•Washer .....	•Rondelle.....	•Scheibe .....	• 와셔 .....	•Arandela.....		
35	SA 9211-12000	8	8			•Washer .....	•Rondelle.....	•Scheibe .....	• 와셔 .....	•Arandela.....		
36	SA 9211-10000	11	11			•Washer .....	•Rondelle.....	•Scheibe .....	• 와셔 .....	•Arandela.....		
37	SA 9211-12000	4	4			Washer.....	Rondelle.....	Scheibe .....	와셔 .....	Arandela.....		
38	VOE 955923	4	4			Washer.....	Rondelle.....	Scheibe .....	와셔 .....	Arandela.....		
39	VOE 978934	4	4			Hexagon Screw.....	Vis Tete Hexago .....	Sechskantschr. ....	스크류 .....	Tornillo Hexago.....		
40	SA 9315-01801	1	1			Clip.....	Clip.....	Klemme .....	클립 .....	Clip.....		

1	8277793	Radiador 라디에이터 Heizung Radiateur Radiator	Catalogue id	Group
2	8277794		56141	261
3			Illustr. No	Section
4			TA110	300
5			Issue	Page
			VOE 7414356141	107

**VOLVO**

**EC210B**

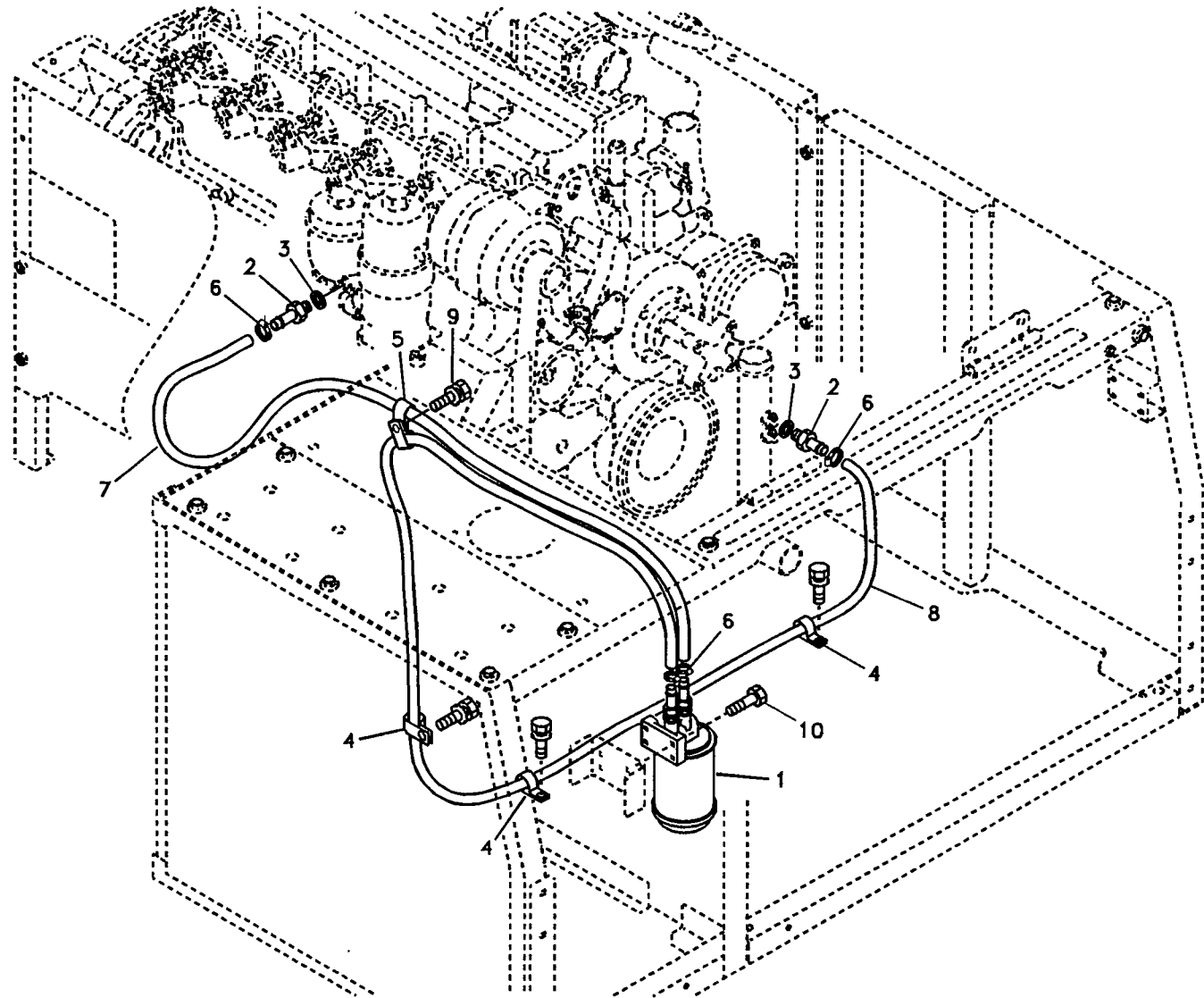
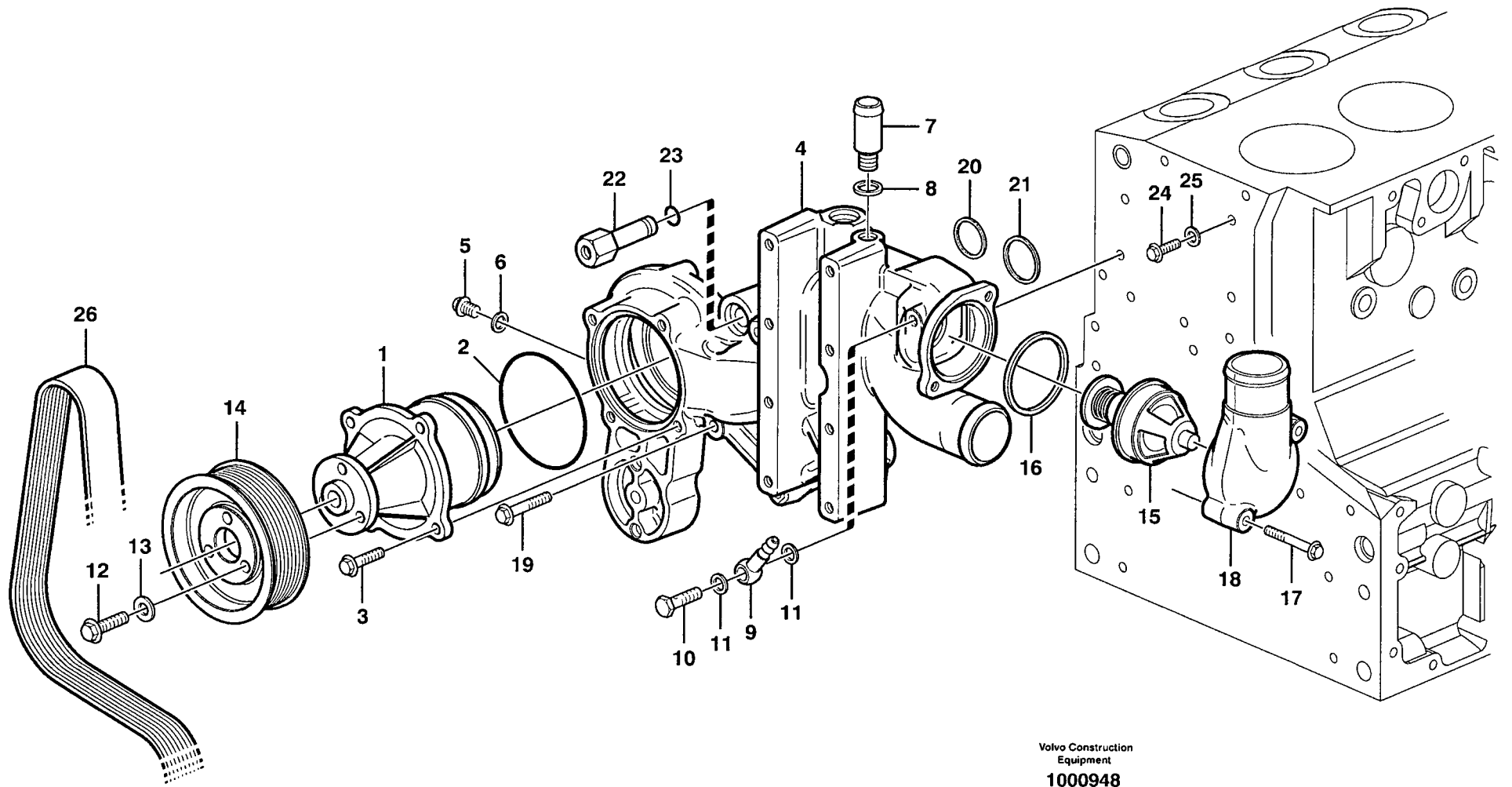


Fig.	Part No.	Quantity			P S	K I T	Description	Dénomination	Bezeichnung	품명	Denominación	Notes
		1	2	3								
1	VOE 11063256	1				Filter .....	Filtre .....	Filter .....	필터 .....	Filtro.....		
	VOE 1699830	1				•Coolant Filter .....	•Filtre Eau .....	•Kühlmittelfilter .....	•냉각수 필터 .....	•Filtro Refrigerante.....		
2	VOE 14880065	2				Connector .....	Raccord.....	Anschluss .....	커넥터 .....	Union.....		
3	SA 9426-20050	2				Gasket.....	Joint .....	Dichtung .....	가스켓 .....	Junta.....		
4	SA 9315-01801	3				Clip.....	Clip.....	Klemme .....	클립 .....	Clip.....		
5	SA 9316-01601	1				Clip.....	Clip.....	Klemme .....	클립 .....	Clip.....		
6	SA 9312-00005	4				Clamp.....	Pince Serrage .....	Klemme .....	클램프 .....	Abrazadera.....		
7	SA 9962-10928	1				Hose.....	Durit .....	Schlauch .....	호스 .....	Tubo flexible.....		
8	SA 9962-10946	1				Hose.....	Durit .....	Schlauch .....	호스 .....	Tubo flexible.....		
9	VOE 946440	4				Flange Screw .....	Vis A Bride .....	Flanschschraube .....	플랜지 스크류 .....	Torn Embridado.....		
10	VOE 946671	4				Flange Screw .....	Vis A Bride .....	Flanschschraube .....	플랜지 스크류 .....	Torn Embridado.....		

1	8277798	<b>Filtro de refrigerante</b> 냉각수 필터 <b>Kühlmittelfilter</b> <b>Filtre à liquide de refroidissement</b> <b>Coolant filter</b>	Catalogue id	Group
2			<b>56141</b>	<b>261</b>
3			Illustr. No	Section
4			<b>TA111</b>	<b>400</b>
5			Issue	Page
			<b>VOE 7414356141</b>	<b>109</b>

**VOLVO**

**EC210B**

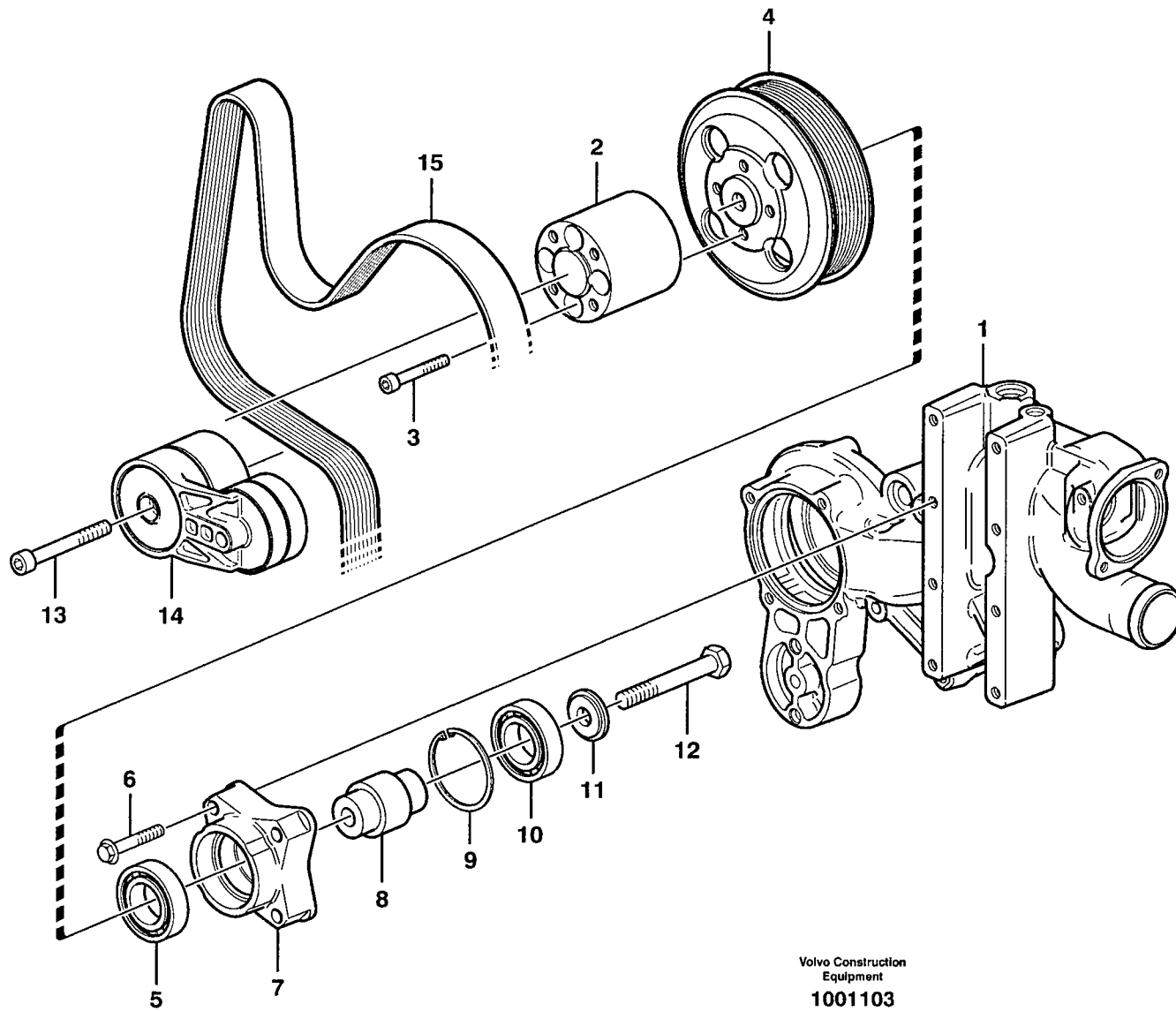


Volvo Construction  
Equipment  
1000948

Fig.	Part No.	Quantity			P S	K I T	Description	Dénomination	Bezeichnung	품명	Denominación	Notes
		1	2	3								
1	VOE 20459004	1				Coolant Pump .....	Pompe a eau.....	Kühlwasserpumpe ....	냉각수 펌프 .....	Bomba Ag.refr.....		
2	VOE 20459005	1				Sealing Ring.....	Bagu.etancheite .....	Runddichtring .....	시일 링 .....	Anillo Reten.....		
3	VOE 20405885	4				Screw .....	Vis .....	Schraube .....	스크류 .....	Tornillo.....		
4		1			NS	Bracket.....	Console .....	Konsole .....	브라켓 .....	Consola.....		
5	VOE 20405556	1				Plug.....	Bouchon.....	Stopfen .....	플러그 .....	Tapon.....		
6	VOE 13947281	1				Gasket.....	Joint .....	Dichtung .....	가스켓 .....	Junta.....		
7		1			NS	Fitting .....	Ecrou Raccord .....	Verschraubung .....	피팅 .....	Racor.....		
8	VOE 13947622	1				Plane Gasket .....	Joint Plan .....	Plandichtung .....	평 가스켓 .....	Junta Plana.....		
9	VOE 20459950	1				Fitting .....	Ecrou Raccord .....	Verschraubung .....	피팅 .....	Racor.....		
10	VOE 980973	1				Hollow Screw .....	Vis Creuse .....	Lochschraube .....	스크류 .....	Tornillo hueco.....		
11	VOE 13947281	2				Gasket.....	Joint .....	Dichtung .....	가스켓 .....	Junta.....		
12	VOE 20405792	3				Screw .....	Vis .....	Schraube .....	스크류 .....	Tornillo.....		
13		3			NS	Washer.....	Rondelle.....	Scheibe .....	와셔 .....	Arandela.....		
14	VOE 20459949	1				Pulley .....	Poulie .....	Z-riemenscheibe .....	폴리 .....	Polea Corr Dent.....		
15	VOE 20450736	2				Thermostat.....	Thermostat.....	Thermostat.....	항온기 .....	Termostato.....		
16	VOE 20459961	2				Sealing Ring.....	Bagu.etancheite .....	Runddichtring .....	시일 링 .....	Anillo Reten.....		
17	VOE 20405672	2				Screw .....	Vis .....	Schraube .....	스크류 .....	Tornillo.....		
18	VOE 20450735	1				Outlet .....	Sortie.....	Auslass .....	아우트렛 .....	Salida.....		
19	VOE 20405723	5				Screw .....	Vis .....	Schraube .....	스크류 .....	Tornillo.....		
20	VOE 20459955	1				Sealing Ring.....	Bagu.etancheite .....	Runddichtring .....	시일 링 .....	Anillo Reten.....		
21	VOE 20459953	1				Sealing Ring.....	Bagu.etancheite .....	Runddichtring .....	시일 링 .....	Anillo Reten.....		
22	VOE 20459952	1				Connector .....	Raccord.....	Anschluss .....	커넥터 .....	Union.....		
23	VOE 20459954	1				•Sealing Ring .....	•Bagu.etancheite.....	•Runddichtring.....	•시일 링 .....	•Anillo Reten.....		
24	VOE 20405898	1				Screw .....	Vis .....	Schraube .....	스크류 .....	Tornillo.....		
25	VOE 947620	1				Gasket.....	Joint .....	Dichtung .....	가스켓 .....	Junta.....		
26		1				V-belt.....	Courroie Trape.....	Keilriemen.....	V 벨트 .....	Correa Trapez.....		

1	8277784	<b>Bomba de agua y caja de termostato</b> 냉각수 펌프 및 항온기 하우징 <b>Wasserpumpe und Thermostatgehäuse</b> <b>Pompe à eau et boîtier thermostat</b> <b>Water pump and thermostat housing</b>	Catalogue id	Group
2			<b>56141</b>	<b>262</b>
3			Illustr. No	Section
4			<b>1000948</b>	<b>100</b>
5			Issue	Page
			<b>VOE 7414356141</b>	<b>111</b>





Volvo Construction  
Equipment  
1001103

Fig.	Part No.	Quantity			P S	K I T	Description	Dénomination	Bezeichnung	품명	Denominación	Notes
		1	2	3								
1		1			NS	Bracket.....	Console.....	Konsole.....	브라켓.....	Consola.....		
2	VOE 20405988	1				Adapter.....	Raccord Reduct.....	Verbind Stutzen.....	어댑터.....	Adaptador.....		
3	VOE 20405504	4				Screw.....	Vis.....	Schraube.....	스크류.....	Tornillo.....		
4	VOE 20459863	1				Pulley.....	Poulie.....	Z-riemenscheibe.....	폴리.....	Polea Corr Dent.....		
5	VOE 20450749	1				Ball Bearing.....	Roulemen.billes.....	Kugellager.....	볼 베어링.....	Cojinete Bolas.....		
6	VOE 20459263	4				Screw.....	Vis.....	Schraube.....	스크류.....	Tornillo.....		
7	VOE 20459267	1				Bearing Bracket.....	Porte-palier.....	Lagerbock.....	베어링 브라켓.....	Soporte Cojin.....		
8	VOE 20459264	1				Shaft.....	Levier Main.....	Handstockhebel.....	샤프트.....	Palanca.....		
9	VOE 20459025	1				Retaining Ring.....	Bague Retenue.....	Haltering.....	리테이닝 링.....	Anillo De Apoyo.....		
10	VOE 20450750	1				Ball Bearing.....	Roulemen.billes.....	Kugellager.....	볼 베어링.....	Cojinete Bolas.....		
11	VOE 20459265	1				Washer.....	Rondelle.....	Scheibe.....	와셔.....	Arandela.....		
12	VOE 20450754	1				Screw.....	Vis.....	Schraube.....	스크류.....	Tornillo.....		
13	VOE 20459946	1				Screw.....	Vis.....	Schraube.....	스크류.....	Tornillo.....		
14	VOE 20459947	1				Belt Tensioner.....	Tendeu.courroie.....	Riemenspanner.....	벨트 장력 조정기.....	Tensor Correa.....		
15	VOE 11709635	1				V-belt.....	Courroie Trape.....	Keilriemen.....	V 벨트.....	Correa Trapez.....		

1	8277784	<b>Correa distribución</b> 벨트 트랜스미션 <b>Riemenantrieb</b> <b>Transmission courrouie</b> <b>Belt transmission</b>	Catalogue id	Group
2			<b>56141</b>	<b>263</b>
3			Illustr. No	Section
4			<b>1001103</b>	<b>100</b>
5			Issue	Page
			<b>VOE 7414356141</b>	<b>113</b>

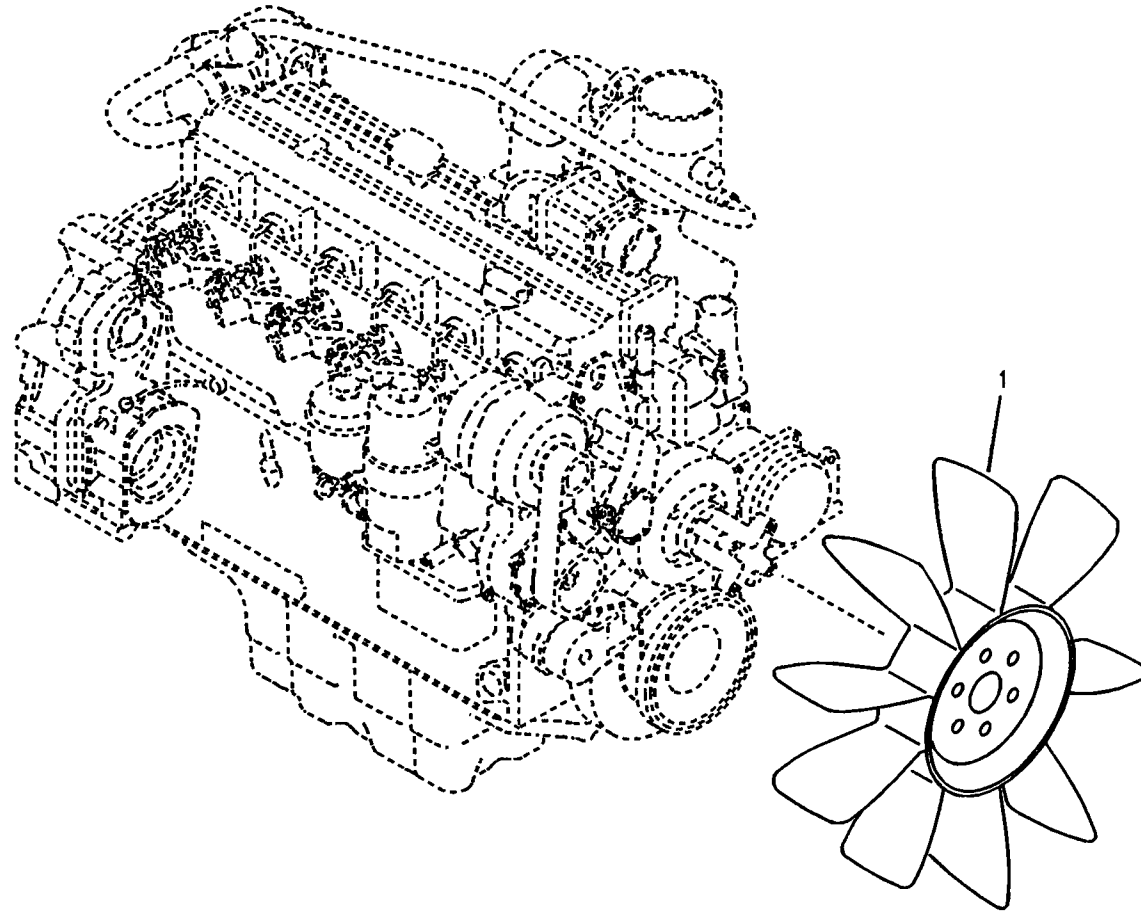


Fig.	Part No.	Quantity			P S	K I T	Description	Dénomination	Bezeichnung	품명	Denominación	Notes
		1	2	3								
1	VOE 14505630	1				Fan.....	Ventilateur.....	Ventilator.....	팬.....	Ventilador.....		
	VOE 14505631		1			Fan.....	Ventilateur.....	Ventilator.....	팬.....	Ventilador.....	Tropical	

1	8277793	<b>Ventilador, montaje</b> 냉각 팬 장착 <b>Sauglüfter, Montage</b> <b>Ventilateur, montage</b> <b>Cooling fan mounting</b>	Catalogue id	Group
2	8277794		<b>56141</b>	<b>263</b>
3			Illustr. No	Section
4			<b>TA112</b>	<b>300</b>
5			Issue	Page
			<b>VOE 7414356141</b>	<b>115</b>

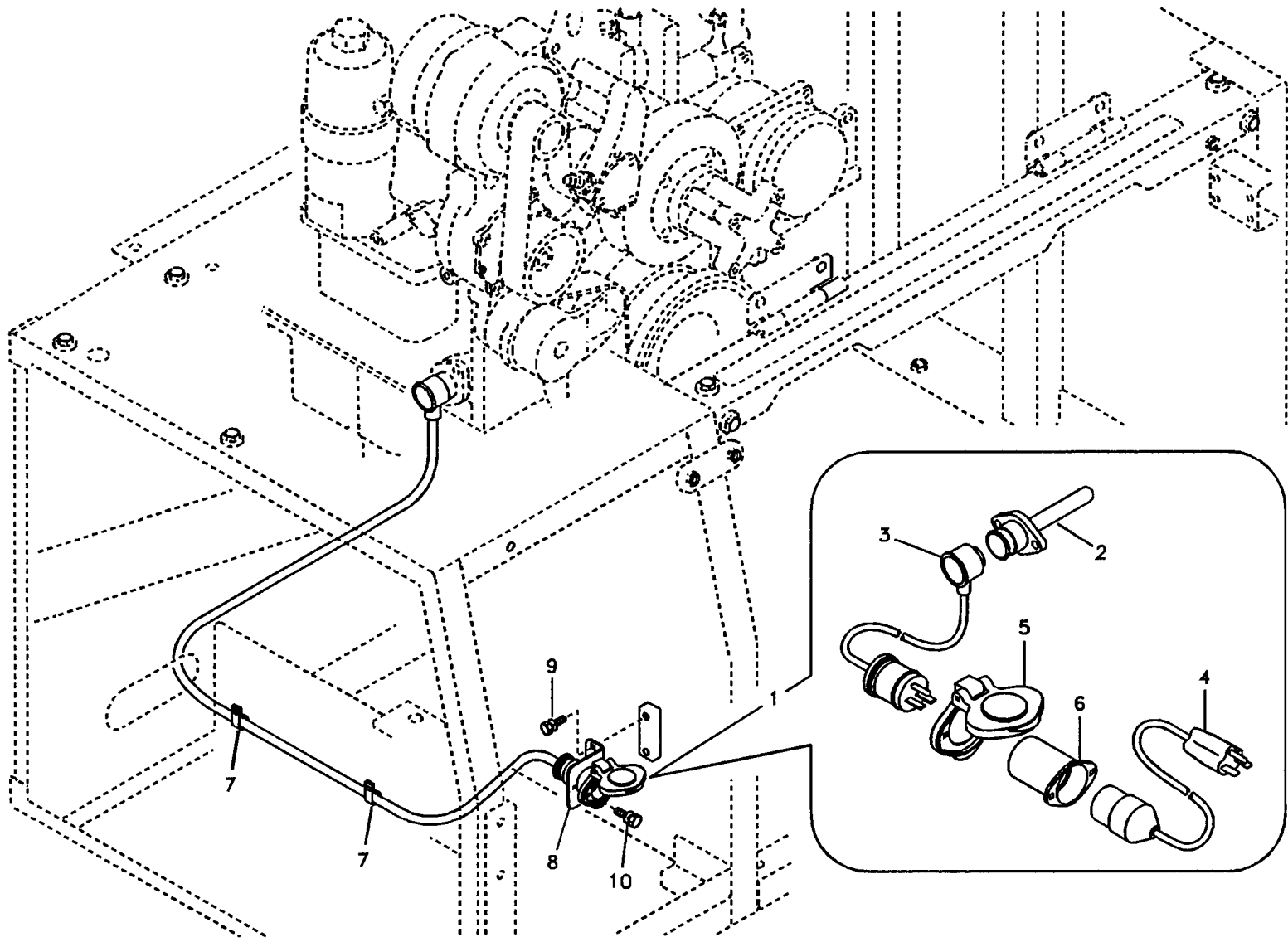


Fig.	Part No.	Quantity			P S	K I T	Description	Dénomination	Bezeichnung	품명	Denominación	Notes
		1	2	3								
1	VOE 14510483	1				Heater .....	Eleme.chauffage .....	Heizkörper .....	히터 .....	Calefaccion.....	120V	
	VOE 14510484		1			Heater .....	Eleme.chauffage .....	Heizkörper .....	히터 .....	Calefaccion.....	240V	
2	VOE 14510495	1				•Heater .....	•Eleme.chauffage.....	•Heizkörper.....	•히터 .....	•Calefaccion.....		
	VOE 14510498		1			•Heater .....	•Eleme.chauffage.....	•Heizkörper.....	•히터 .....	•Calefaccion.....		
3	VOE 14510558	1				•Cable .....	•Cable .....	•Kabel.....	•케이블 .....	•Cable.....		
	VOE 14510559		1			•Cable .....	•Cable .....	•Kabel.....	•케이블 .....	•Cable.....		
4	VOE 14510560	1				•Cable .....	•Cable .....	•Kabel.....	•케이블 .....	•Cable.....		
	VOE 14510561		1			•Cable .....	•Cable .....	•Kabel.....	•케이블 .....	•Cable.....		
5	VOE 14510562	1	1			•Cover .....	•Capot .....	•Haube .....	•커버 .....	•Capo.....		
6	VOE 14510563	1	1			•Plug .....	•Bouchon.....	•Stopfen .....	•플러그 .....	•Tapon.....		
7	VOE 14500291	2	2			Clip.....	Clip.....	Klemme.....	클립 .....	Clip.....		
8	VOE 14510487	1	1			Bracket.....	Console.....	Konsole.....	브라켓 .....	Ménsula.....		
9	VOE 946471	2	2			Flange Screw.....	Vis A Bride .....	Flanschschraube.....	플랜지 스크류 .....	Torn Embridado.....		
10	VOE 969408	2	2			6-pt Skt Screw.....	Vis Creuse 6 De.....	6-zahn Hohlschr.....	6 포인트 소켓 스크류.....	Racor 6-dientes.....		

1	8277477	<b>Calefactor</b> 엔진 블록 히터 <b>Motorwärmer</b> <b>Chauffe-moteur</b> <b>Engine Block Heater</b>	Catalogue id	Group
2	8277478		<b>56141</b>	<b>269</b>
3			Illustr. No	Section
4			<b>TA113</b>	<b>200</b>
5			Issue	Page
			<b>VOE 7414356141</b>	<b>117</b>

**VOLVO**

**EC210B**

**VOLVO**

**Volvo Construction  
Equipment**

GROUP		Section	Page	GROUP	Section	Page
310	Battery with assembling details.....	100	125			
321	Alternator with assembling details .....	100	127			
330	Key System.....	100	129			
331	Starter motor with assembling details .....	100	131			
352	Lighting, front .....	100	133			
356	Working lamp on boom .....	100	135			
356	Working lamp on boom .....	200	137			
356	Work lights, extra .....	300	139			
362	Rotating beacon.....	100	141			
362	Back-up warning unit .....	200	143			
362	Horn .....	300	145			
363	Windshield washer.....	200	147			
363	Lower wiper.....	300	149			
364	Switch .....	100	151			
367	Electronic unit. ....	100	153			
369	Switch, quickfit control .....	100	155			
369	Cable and wire harness, thumb bucket.....	300	157			
371	Cables, battery.....	100	159			
371	Cable and wire harness, main .....	200	161			
371	Cable harness, engine .....	300	165			
371	Cable harness, engine .....	400	167			
371	Cable and wire harness, instrument panel.....	500	169			
371	Cable harnesses, cab .....	800	171			
372	Electrical relay.....	200	175			
386	Electrical Sensor .....	100	177			
387	Instrument panel, warning unit and information unit .....	100	179			
393	Cassette radio recorder with mounting details.....	100	181			

<b>INDEX OF CONTENTS</b>	Catalogue id <b>56141</b>	Group <b>300</b>
	Issue <b>VOE 7414356141</b>	Page <b>119</b>



<b>TABLE DES MATIÈRES</b>		Catalogue id <b>56141</b>	Group <b>300</b>		
		Issue <b>VOE 7414356141</b>	Page <b>120</b>		
GROUPE	Section	Page	GROUPE	Section	Page

310	Batterie avec pièces d'assemblage.....	100	125
321	Alternateur avec pieces de montage .....	100	127
330	Système de clé .....	100	129
331	Démarrreur avec pieces de montage.....	100	131
352	Eclairage, avant .....	100	133
356	Projecteur de travail sur la flèche.....	100	135
356	Projecteur de travail sur la flèche.....	200	137
356	Projecteurs de travail, supplémentaires.....	300	139
362	Détecteur rotatif .....	100	141
362	Unité d'alerte de secours .....	200	143
362	Avertisseur sonore .....	300	145
363	Lave - glace .....	200	147
363	Essui glace inférieure.....	300	149
364	Interrupteur .....	100	151
367	Unité électronique .....	100	153
369	Interrupteur, raccord rapide .....	100	155
369	Câble et faisceau de câble pour godet avec grappin à fourche.....	300	157
371	Câbles, batterie .....	100	159
371	Câble et faisceau de câbles, principal .....	200	161
371	Faisceau de câbles, moteur .....	300	165
371	Faisceau de câbles, moteur .....	400	167
371	Câble et faisceau de câbles, tableau de bord .....	500	169
371	Faisceaux de câbles, cabine.....	800	171
372	Relais électrique .....	200	175
386	Capteur électrique.....	100	177
387	Tableau de bord, unités d'alerte et d'information .....	100	179
393	Lecteur de cassettes auto-radio avec pièces de montage.....	100	181

GRUPPE	Abschnitt	Seite	GRUPPE	Abschnitt	Seite
310	Batterie mit Anbauteilen .....	100			125
321	Generator mit Anbauteilen .....	100			127
330	Schlüsselsystem .....	100			129
331	Anlasser mit Anbauteilen .....	100			131
352	Beleuchtung, vorne .....	100			133
356	Arbeitscheinwerfer auf Ausleger .....	100			135
356	Arbeitscheinwerfer auf Ausleger .....	200			137
356	Arbeitsbeleuchtung, extra .....	300			139
362	Rotierende Warnleuchte .....	100			141
362	Reserve-warneinheit .....	200			143
362	Signalhorn .....	300			145
363	Scheibenwaschanlage .....	200			147
363	Wischer, unten .....	300			149
364	Schalter .....	100			151
367	Elektronische Einheit .....	100			153
369	Schalter, Schnellwechsler .....	100			155
369	Hauptkabel und -leitungen für Schaufel mit Greifarm .....	300			157
371	Batteriekabel .....	100			159
371	Hauptkabel und -leitungen .....	200			161
371	Kabelbündel, Motor .....	300			165
371	Kabelbündel, Motor .....	400			167
371	Kabel und Leitungen, Armaturenbrett .....	500			169
371	Kabelbündel, Kabine .....	800			171
372	Elektrisches Relais .....	200			175
386	EL.Sensor .....	100			177
387	Armaturenbrett, Warneinheit und Informations .....	100			179
393	Kassettenrecorder mit Montageteilen .....	100			181

INHALTSVERZEICHNIS

Catalogue id <b>56141</b>	Group <b>300</b>
Issue <b>VOE 7414356141</b>	Page <b>121</b>

목차		Catalogue id <b>56141</b>	Group <b>300</b>
		Issue <b>VOE 7414356141</b>	Page <b>122</b>
그룹	소분류 쪽번호	그룹	소분류 쪽번호

310	батде리 및 장착 부품.....	100	125
321	알터네이터 및 장착 부품 .....	100	127
330	키 장치 .....	100	129
331	시동모터 및 장착 부품 .....	100	131
352	전조등 .....	100	133
356	봄 작업등 .....	100	135
356	봄 작업등 .....	200	137
356	보조 작업등 .....	300	139
362	경광등 .....	100	141
362	후진 경보 장치 .....	200	143
362	경음기 .....	300	145
363	차창 유리 와셔 .....	200	147
363	하부 와이퍼 .....	300	149
364	스위치 .....	100	151
367	전자 제어 장치 .....	100	153
369	퀵 핏 제어 스위치 .....	100	155
369	섬 버킷 배선 케이블.....	300	157
371	батде리 케이블 .....	100	159
371	메인 배선 케이블 .....	200	161
371	케이블 및 엔진 배선.....	300	165
371	케이블 및 엔진 배선.....	400	167
371	계기판 배선 케이블.....	500	169
371	운전실 배선 케이블.....	800	171
372	전기장치 릴레이.....	200	175
386	전기 장치 센서 .....	100	177
387	경고장치 및 게이지 계기판 .....	100	179
393	카세트 라디오 .....	100	181

GRUPO		Sección	Página	GRUPO	Sección	Página
310	Batería con accesorios de montaje.....	100	125			
321	Alternador con asesorios de montage .....	100	127			
330	Sistema llave.....	100	129			
331	Motor de arranque con asesorios de montaje.....	100	131			
352	Alumbrado, frontal.....	100	133			
356	Lámpara de trabajo en pluma.....	100	135			
356	Lámpara de trabajo en pluma.....	200	137			
356	Luces de trabajo, extra .....	300	139			
362	Luz giratoria de advertencia.....	100	141			
362	Unidad de advertencia de reserva .....	200	143			
362	Bocina .....	300	145			
363	Lavaparabrisas .....	200	147			
363	Limpiaparabrisas inferior.....	300	149			
364	Interruptor .....	100	151			
367	Unidad electrónica .....	100	153			
369	Interruptor, control de enganche rápido.....	100	155			
369	Haz de cables para cazo con brazo de agarrar .....	300	157			
371	Cables, batería.....	100	159			
371	Haz de cables, principal.....	200	161			
371	Haz de cables, motor .....	300	165			
371	Haz de cables, motor .....	400	167			
371	Haz de cables, panel de instrumentos.....	500	169			
371	Haz de cables, motor .....	800	171			
372	Relé eléctrico .....	200	175			
386	Sensor electrico .....	100	177			
387	Panel de instrumentos, unidad de advertencia y unidad de informa .	100	179			
393	Radiocasete con accesorios de montaje .....	100	181			

INDICE

Catalogue id <b>56141</b>	Group <b>300</b>
Issue <b>VOE 7414356141</b>	Page <b>123</b>

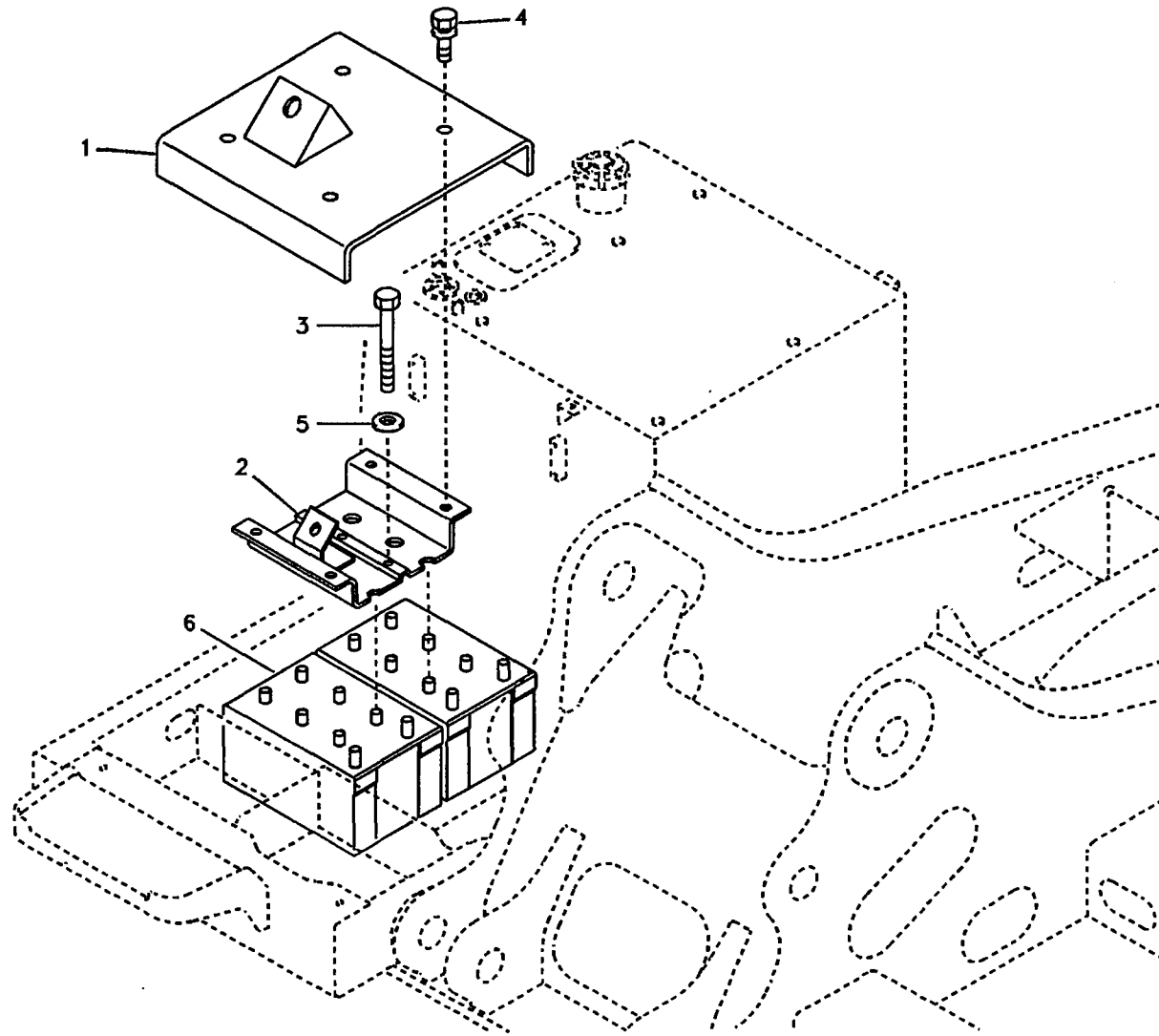
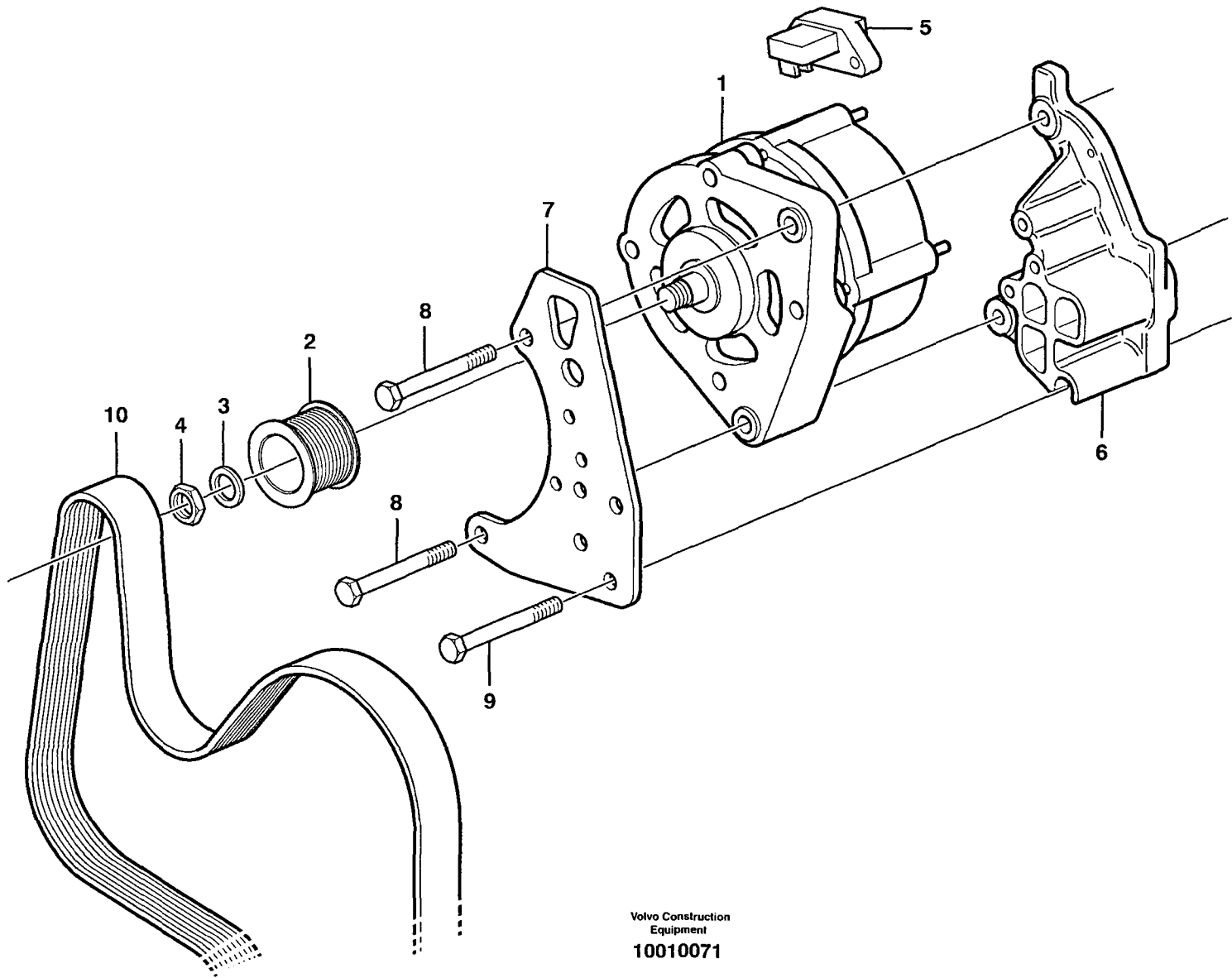


Fig.	Part No.	Quantity			P S	K I T	Description	Dénomination	Bezeichnung	품명	Denominación	Notes
		1	2	3								
1	SA 1121-00331	1				Cover .....	Capot .....	Haube .....	커버 .....	Capa.....		
2	SA 1121-00351	1				Bracket.....	Ferrure-support .....	Tragstutse.....	브라켓 .....	Hierro Apoyo.....		
3	SA 9011-21030	2				Bolt.....	Boulon.....	Bolzen.....	볼트 .....	Perno.....		
4	VOE 946173	4			SS	Screw .....	Vis .....	Schraube .....	스크류 .....	Tornillo.....		
5	VOE 960148	2			SS	Washer.....	Rondelle.....	Scheibe .....	와셔 .....	Arandela.....		
6	SA 9811-12150	2			SS	Battery.....	Batterie.....	Batterie .....	бат데리 .....	Bateria.....		

1	8277784	<b>Batería con accesorios de montaje</b> батде리 및 장착 부품 <b>Batterie mit Anbauteilen</b> <b>Batterie avec pièces d'assemblage</b> <b>Battery with assembling details</b>	Catalogue id	Group
2			<b>56141</b>	<b>310</b>
3			Illustr. No	Section
4			<b>TA114</b>	<b>100</b>
5			Issue	Page
			<b>VOE 7414356141</b>	<b>125</b>



Volvo Construction  
Equipment  
10010071

Fig.	Part No.	Quantity			P S	K I T	Description	Dénomination	Bezeichnung	품명	Denominación	Notes
		1	2	3								
1	VOE 20482686	1				Alternator .....	Alternateur .....	Lichtmaschine.....	알터네이터 .....	Alternador.....		
2	VOE 20460102	1				•Pulley .....	•Poulie.....	•Z-riemenscheibe .....	•폴리 .....	•Polea Corr Dent.....		
3	VOE 941912	1				•Spring Washer .....	•Rondelle ressort.....	•Federscheibe .....	•스프링 와셔 .....	•Arandela resorte.....		
4	VOE 977761	1				•Hexagon Nut.....	•Ecrou Hexagonal .....	•Sechskantmutter.....	•너트 .....	•Tuerca Hexagon.....		
5	VOE 20482687	1				•V Regulator.....	•Regulat.tension.....	•Spannungsregler.....	•전압 레귤레이터 .....	•Regulad Tension.....		
6		1			NS	Bracket.....	Console.....	Konsole .....	브라켓 .....	Ménsula.....		
7		1			NS	Plate.....	Tole .....	Blech .....	플레이트 .....	Chapa.....		
8	VOE 20460106	2				Screw .....	Vis .....	Schraube .....	스크류 .....	Tornillo.....		
9	VOE 20460105	4				Screw .....	Vis .....	Schraube .....	스크류 .....	Tornillo.....		
10		1				V-belt.....	Courroie Trape.....	Keilriemen.....	V 벨트 .....	Correa Trapez.....		

1	8277784	<b>Alternador con asesorios de montage</b>	Catalogue id	Group
2		알터네이터 및 장착 부품	<b>56141</b>	<b>321</b>
3		<b>Generator mit Anbauteilen</b>	Illustr. No	Section
4		<b>Alternateur avec pieces de montage</b>	<b>1001071</b>	<b>100</b>
5		<b>Alternator with assembling details</b>	Issue	Page
			VOE 7414356141	<b>127</b>



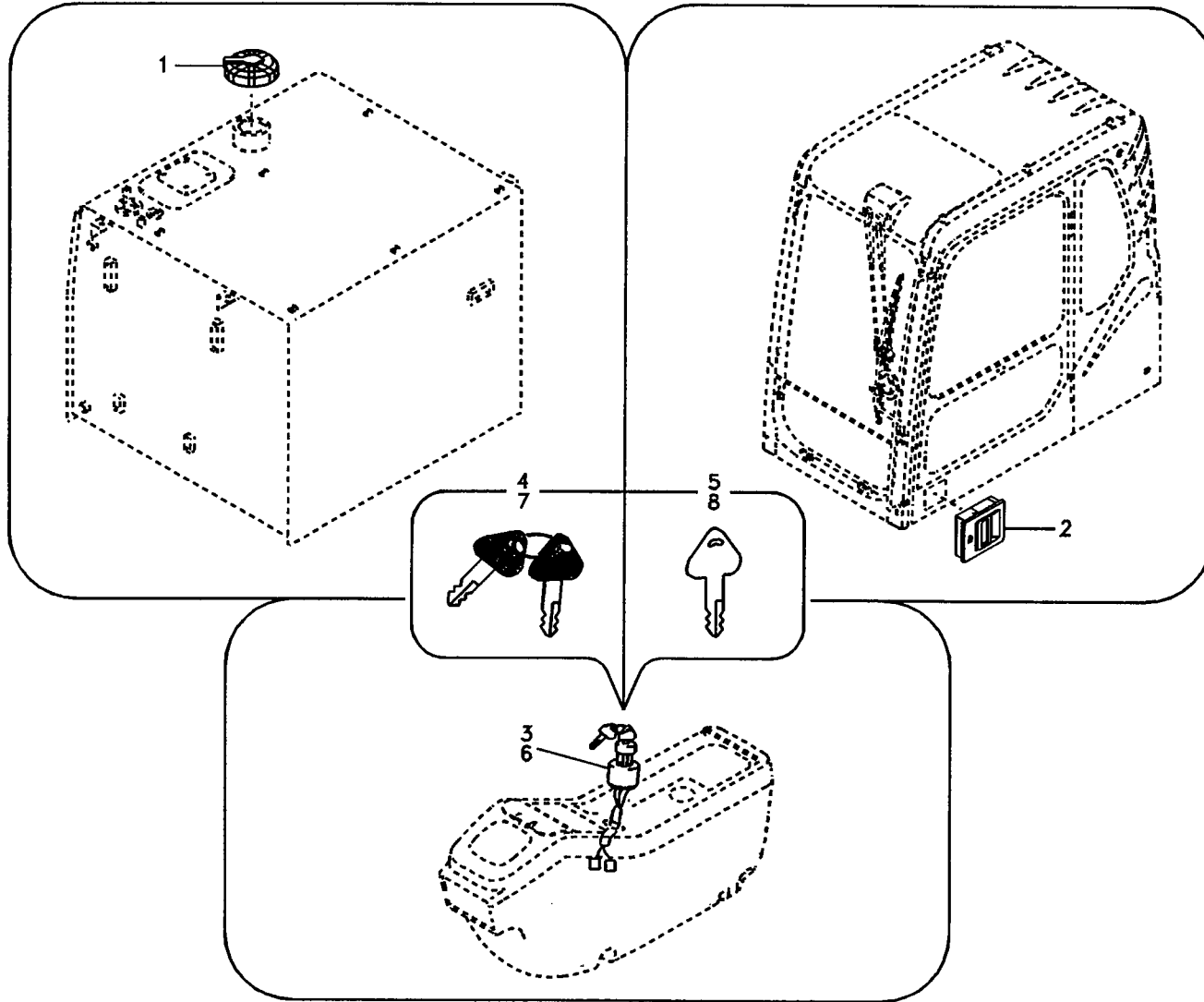
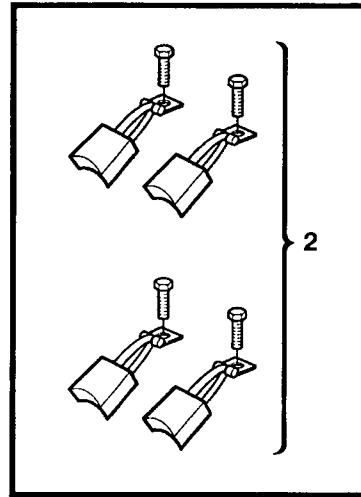
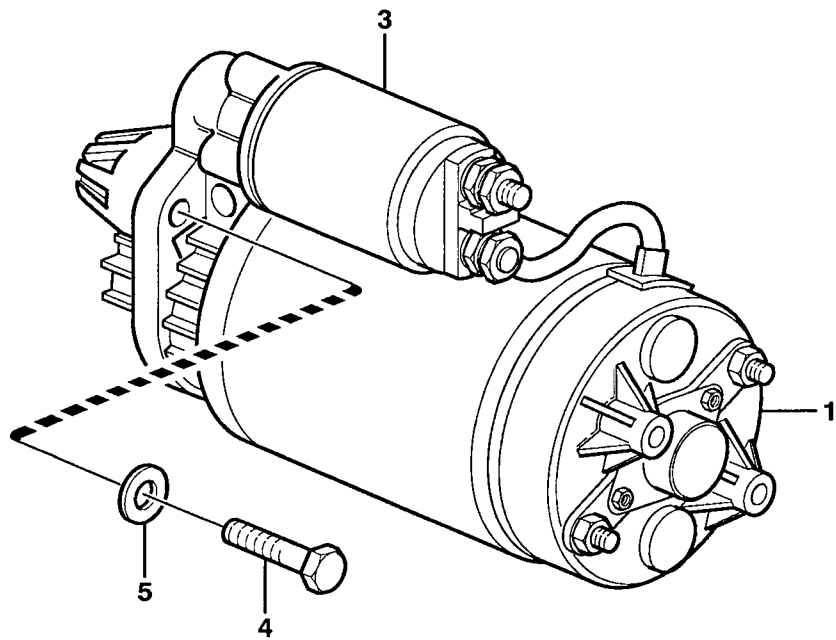


Fig.	Part No.	Quantity			P S	K I T	Description	Dénomination	Bezeichnung	품명	Denominación	Notes
		1	2	3								
		1			NS	Switch .....	Contacteur .....	Schalter .....	스위치 .....	Contactor.....	Specific	
			1		NS	Switch .....	Contacteur .....	Schalter .....	스위치 .....	Contactor.....	Master	
1	SA 1116-00240	1				•Cap .....	•Chapeau .....	•Kappe .....	•캡 .....	•Caperuza.....		
	SA 8240-00490		1			•Cap .....	•Chapeau .....	•Kappe .....	•캡 .....	•Caperuza.....		
2	VOE 14508736	1				•Handle .....	•Poignee.....	•Handgriff .....	•핸들 .....	•Manilla.....		
	VOE 14506762		1			•Handle .....	•Poignee.....	•Handgriff .....	•핸들 .....	•Manilla.....		
3	SA 1123-01030	1				•Starter Switch .....	•Commutat. demarre..	•Anlasschalter .....	•시동 스위치 .....	•Contact Arranq.....		
4		2			NS	••Key .....	••Clavette .....	••Keil.....	••키 .....	••Llave (cuna).....		
5		1			NS	••Key .....	••Clavette .....	••Keil.....	••키 .....	••Llave (cuna).....		
6	SA 1123-02820	1				•Starter Switch .....	•Commutat. demarre..	•Anlasschalter .....	•시동 스위치 .....	•Contact Arranq.....		
7	SA 1123-02950	2				••Key .....	••Clavette .....	••Keil.....	••키 .....	••Llave (cuna).....		
8	SA 1123-02970	1				••Key .....	••Clavette .....	••Keil.....	••키 .....	••Llave (cuna).....		

14523026  
14529178

1	8277153	<b>Sistema llave</b> 키이 장치 <b>Schlüsselsystem</b> <b>Système de clé</b> <b>Key System</b>	Catalogue id	Group
2	8277154		<b>56141</b>	<b>330</b>
3			Illustr. No	Section
4			<b>TA115</b>	<b>100</b>
5			Issue	Page
			<b>VOE 7414356141</b>	<b>129</b>



Volvo Construction  
Equipment  
1000683

Fig.	Part No.	Quantity			P S	K I T	Description	Dénomination	Bezeichnung	품명	Denominación	Notes
		1	2	3								
1	VOE 20459041	1					Starter Motor .....	Demarreur .....	Anlasser .....	시동 모터 .....	Motor de arranque.....	
2	VOE 20459059	1					•Carbon Brush .....	•Balai Charbon .....	•Kohleburste.....	• 카본 브러시 .....	•Escobilla.....	
3	VOE 20459060	1					•Relay .....	•Relais.....	•Relais .....	• 릴레이 .....	•Rele.....	
4	VOE 20412751	3					Screw .....	Vis .....	Schraube .....	스크류 .....	Tornillo.....	
5	VOE 20459061	3					Washer.....	Rondelle.....	Scheibe .....	와셔 .....	Arandela.....	

1	8277784	<b>Motor de arranque con asesorios de montaje</b> 시동모터 및 장착 부품 <b>Anlasser mit Anbauteilen</b> <b>Démarreur avec pieces de montage</b> <b>Starter motor with assembling details</b>	Catalogue id	Group
2			<b>56141</b>	<b>331</b>
3			Illustr. No	Section
4			<b>1000683</b>	<b>100</b>
5			Issue	Page
			VOE 7414356141	<b>131</b>

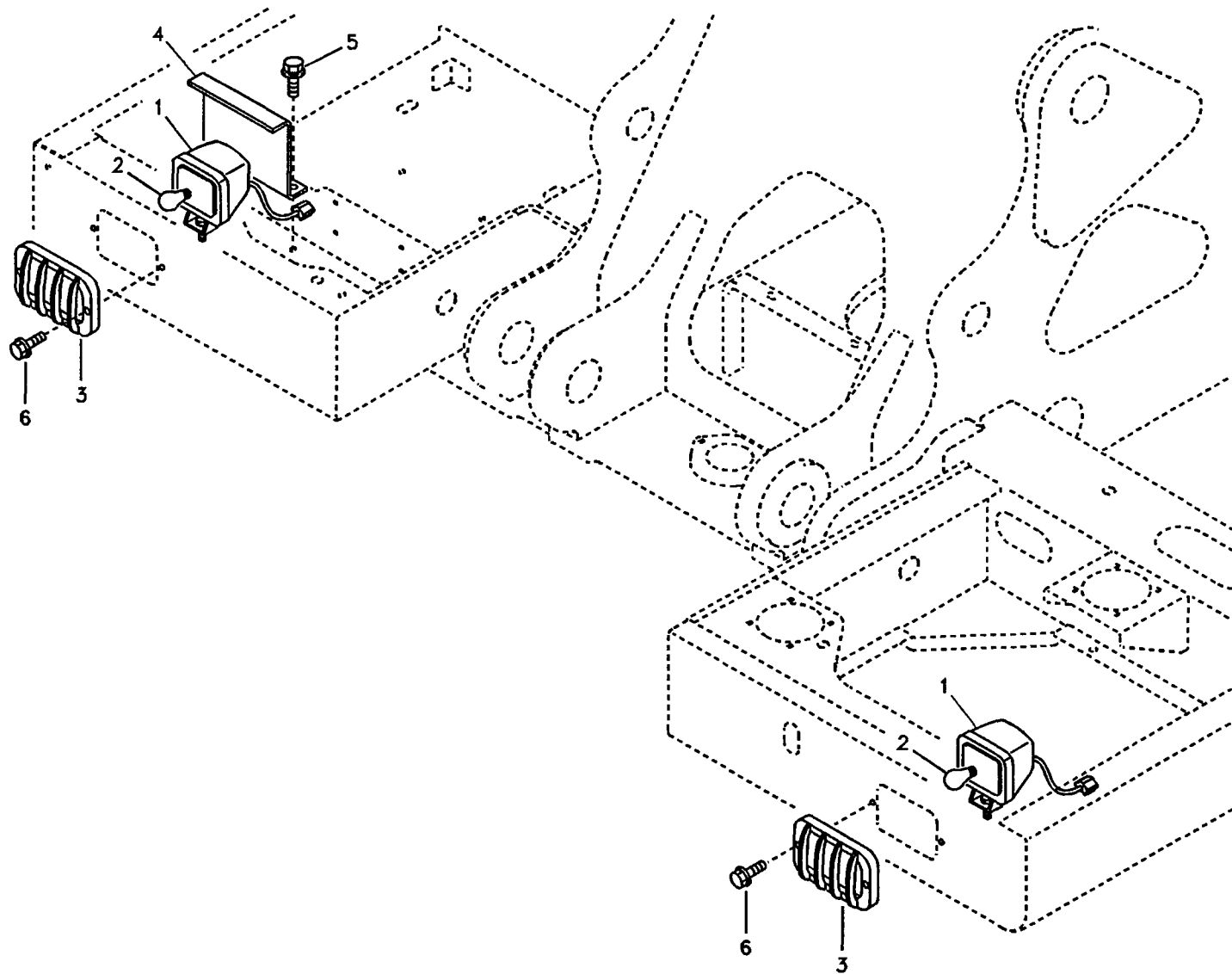


Fig.	Part No.	Quantity			P S	K I T	Description	Dénomination	Bezeichnung	품명	Denominación	Notes
		1	2	3								
1	VOE 11039846	2				Work Lamp.....	Lampe Travail .....	Arbeitslampe .....	작업 램프 .....	Lampara Trabajo.....		
2	SA 1122-01240	1				•Bulb .....	•Ampoule.....	•Glühlampe.....	• 전구 .....	•Ampolla.....	24V,70W	
3	SA 1122-01820	2				Guard .....	Protection .....	Schutz.....	가드 .....	Proteccion.....		
4	VOE 14512716	1				Cover .....	Capot .....	Haube .....	커버 .....	Capa.....		
5	VOE 946471	4				Flange Screw .....	Vis A Bride .....	Flanschschraube .....	플랜지 스크류 .....	Torn Embridado.....		
6	VOE 946441	4				Flange Screw .....	Vis A Bride .....	Flanschschraube .....	플랜지 스크류 .....	Torn Embridado.....		

1	8277784	<b>Alumbrado, frontal</b> 전조등 <b>Beleuchtung, vorne</b> <b>Eclairage, avant</b> <b>Lighting, front</b>	Catalogue id	Group
2			<b>56141</b>	<b>352</b>
3			Illustr. No	Section
4			<b>TA116</b>	<b>100</b>
5			Issue	Page
			<b>VOE 7414356141</b>	<b>133</b>

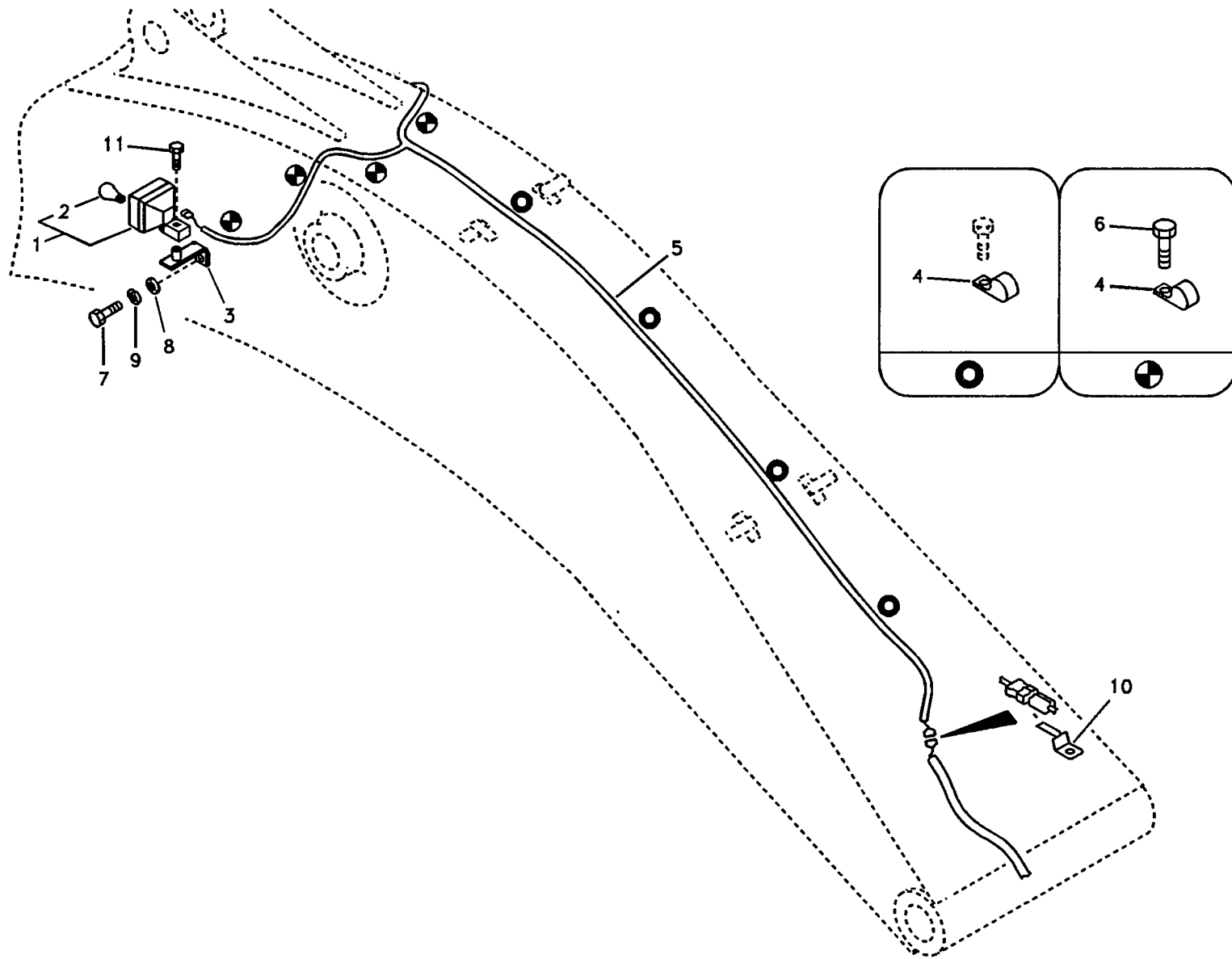


Fig.	Part No.	Quantity					P S	K I T	Description	Dénomination	Bezeichnung	품명	Denominación	Notes
		1	2	3	4	5								
1	VOE 11039846	2	2	2	2			Work Lamp .....	Lampe Travail.....	Arbeitslampe.....	작업 램프 .....	Lampara Trabajo....		
2	SA 1122-01240	1	1	1	1			•Bulb .....	•Ampoule.....	•Glühlampe .....	• 전구 .....	•Ampolla.....	24V,70W	
3	VOE 14514339	2	2	2	2			Bracket.....	Console .....	Konsole .....	브라켓.....	Ménsula.....		
4	VOE 14500293	10	10	10	8			Clip.....	Clip .....	Klemme .....	클립 .....	Clip.....		
5	VOE 14503984	1	1	1				Wire Harness.....	Faisceau electriqu ..	Kabelbaum .....	배선 .....	Manejo Cables.....		
	VOE 14511145				1			Wire Harness.....	Faisceau electriqu ..	Kabelbaum .....	배선 .....	Manejo Cables.....		
6	VOE 947107	6	6	6	6			Flange Screw.....	Vis A Bride .....	Flanschschrabe ...	플랜지 스크류.....	Torn Embridado.....		
7	VOE 978936	2	2	2	2			Screw.....	Vis .....	Schraube .....	스크류.....	Tornillo.....		
8	VOE 955900	2	2	2	2			Washer .....	Rondelle .....	Scheibe .....	와셔 .....	Arandela.....		
9	VOE 955926	2	2	2	2			Spring Washer.....	Rondelle ressort ....	Federscheibe .....	스프링 와셔 .....	Arandela resorte....		
10	SA 9392-20130	1	1	1	1			Clip.....	Clip .....	Klemme .....	클립 .....	Clip.....		
11	VOE 946471	2	2	2	2			Flange Screw.....	Vis A Bride .....	Flanschschrabe ...	플랜지 스크류.....	Torn Embridado.....		

1	8277825	<b>Lmpara de trabajo en pluma</b> <b>봄 작업등</b> <b>Arbeitsscheinwerfer auf Ausleger</b> <b>Projecteur de travail sur la flèche</b> <b>Working lamp on boom</b>	Catalogue id	Group
2	8277826		<b>56141</b>	<b>356</b>
3	8277827		Illustr. No	Section
4	8277828		<b>TA117</b>	<b>100</b>
5			Issue	Page
		<b>VOE 7414356141</b>	<b>135</b>	



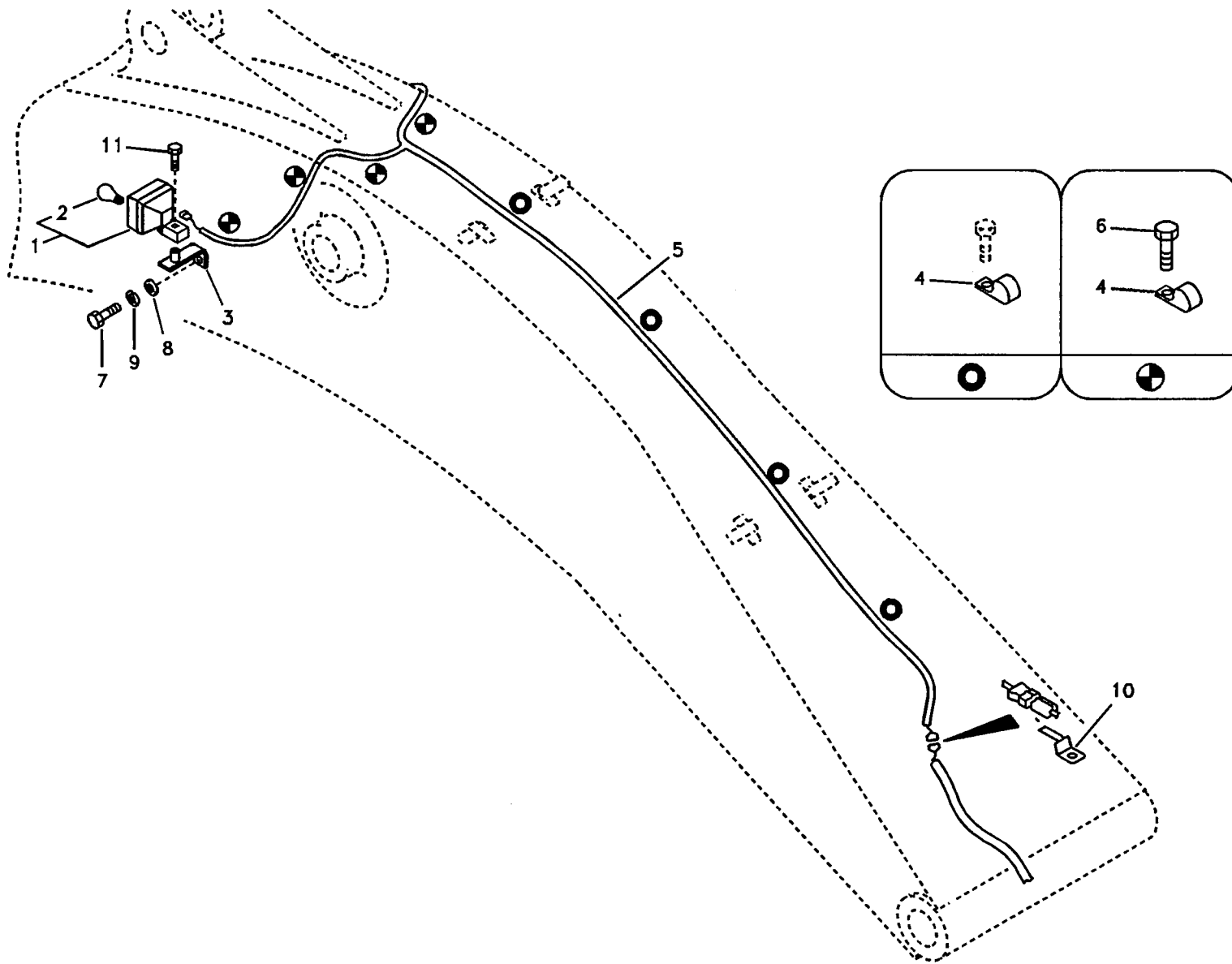


Fig.	Part No.	Quantity					P S	K I T	Description	Dénomination	Bezeichnung	품명	Denominación	Notes
		1	2	3	4	5								
1	VOE 11039846	2	2	2	2			Work Lamp .....	Lampe Travail.....	Arbeitslampe.....	작업 램프.....	Lampara Trabajo....		
2	SA 1122-01240	1	1	1	1			•Bulb .....	•Ampoule.....	•Glühlampe .....	• 전구 .....	•Ampolla.....	24V,70W	
3	VOE 14514339	2	2	2	2			Bracket.....	Console .....	Konsole .....	브라켓.....	Ménsula.....		
4	VOE 14500293	10	10	10	8			Clip.....	Clip .....	Klemme .....	클립 .....	Clip.....		
5	VOE 14503984	1	1	1				Wire Harness .....	Faisceau electriqu ..	Kabelbaum .....	배선 .....	Manojo Cables.....		
	VOE 14511145				1			Wire Harness .....	Faisceau electriqu ..	Kabelbaum .....	배선 .....	Manojo Cables.....		
6	VOE 947107	6	6	6	6			Flange Screw.....	Vis A Bride .....	Flanschschaube ...	플랜지 스크류.....	Torn Embridado.....		
7	VOE 978936	2	2	2	2			Screw.....	Vis .....	Schraube .....	스크류 .....	Tornillo.....		
8	VOE 955900	2	2	2	2			Washer .....	Rondelle .....	Scheibe .....	와셔 .....	Arandela.....		
9	VOE 955926	2	2	2	2			Spring Washer.....	Rondelle ressort .....	Federscheibe .....	스프링 와셔 .....	Arandela resorte....		
10	SA 9392-20130	1	1	1	1			Clip.....	Clip .....	Klemme .....	클립 .....	Clip.....		
11	VOE 946471	2	2	2	2			Flange Screw.....	Vis A Bride .....	Flanschschaube ...	플랜지 스크류.....	Torn Embridado.....		

1	8278170	<b>Lmpara de trabajo en pluma</b> <b>플 작업등</b> <b>Arbeitsscheinwerfer auf Ausleger</b> <b>Projecteur de travail sur la flèche</b> <b>Working lamp on boom</b>	Catalogue id	Group
2	8278172		<b>56141</b>	<b>356</b>
3	8278174		Illustr. No	Section
4	8278176		<b>TA118</b>	<b>200</b>
5			Issue	Page
			<b>VOE 7414356141</b>	<b>137</b>

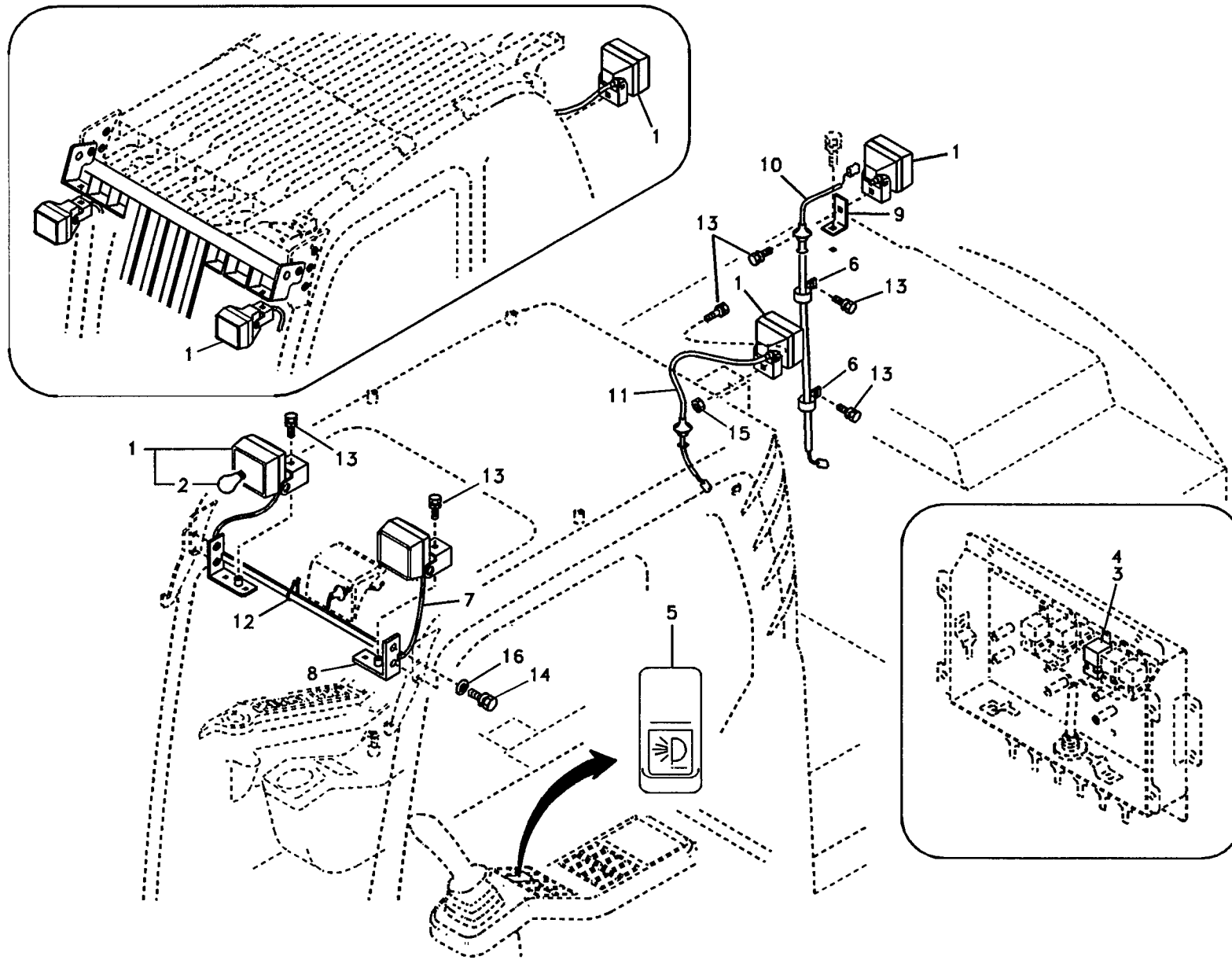


Fig.	Part No.	Quantity			P S	K I T	Description	Dénomination	Bezeichnung	품명	Denominación	Notes
		1	2	3								
1	VOE 11039846	4				Work Lamp.....	Lampe Travail .....	Arbeitslampe .....	작업 램프 .....	Lampara Trabajo.....		
2	SA 1122-01240	1				•Bulb .....	•Ampoule.....	•Glühlampe.....	• 전구 .....	•Ampolla.....	24V,70W	
3	SA 1123-00290	1				Relay.....	Relais .....	Relais .....	릴레이 .....	Rele.....	Three piont	
4	SA 1123-01900	1				•Relay .....	•Relais.....	•Relais.....	• 릴레이 .....	•Rele.....	Three piont	
5	SA 1123-05110	1				Switch .....	Contacteur .....	Schalter.....	스위치 .....	Contactora.....		
6	VOE 14500292	2				Clip.....	Clip.....	Klemme.....	클립 .....	Clip.....		
7	VOE 14508662	1				Wire Harness .....	Faisceau électrique....	Kabelbaum.....	배선 .....	Manojo Cables.....		
8	VOE 14511538	1				Bracket.....	Console.....	Konsole.....	브라켓 .....	Ménsula.....		
9	VOE 14514007	1				Bracket.....	Console.....	Konsole.....	브라켓 .....	Ménsula.....		
10	VOE 14514373	1				Wire Harness .....	Faisceau électrique....	Kabelbaum.....	배선 .....	Manojo Cables.....		
11	VOE 14514378	1				Wire Harness .....	Faisceau électrique....	Kabelbaum.....	배선 .....	Manojo Cables.....		
12	SA 9314-02100	3				Strip Clamp .....	Ruban Serrage.....	Bandklammer .....	스트립 클램프 .....	Abraz Cinta.....		
13	VOE 946471	6				Flange Screw .....	Vis A Bride .....	Flanschschrabe .....	플랜지 스크류 .....	Torn Embridado.....		
14	VOE 946441	4				Flange Screw .....	Vis A Bride .....	Flanschschrabe .....	플랜지 스크류 .....	Torn Embridado.....		
15	VOE 983304	1				Nut .....	Ecrou.....	Mutter .....	너트 .....	Tuerca.....		
16	VOE 955922	4				Spring Washer .....	Rondelle ressort.....	Federscheibe.....	스프링 와셔 .....	Arandela resorte.....		

1	8277799	<b>Luces de trabajo, extra</b> 보조 작업등 <b>Arbeitsbeleuchtung, extra</b> <b>Projecteurs de travail, supplémentaires</b> <b>Work lights, extra</b>	Catalogue id	Group
2			56141	356
3			Illustr. No	Section
4			TA119	300
5			Issue	Page
			VOE 7414356141	139

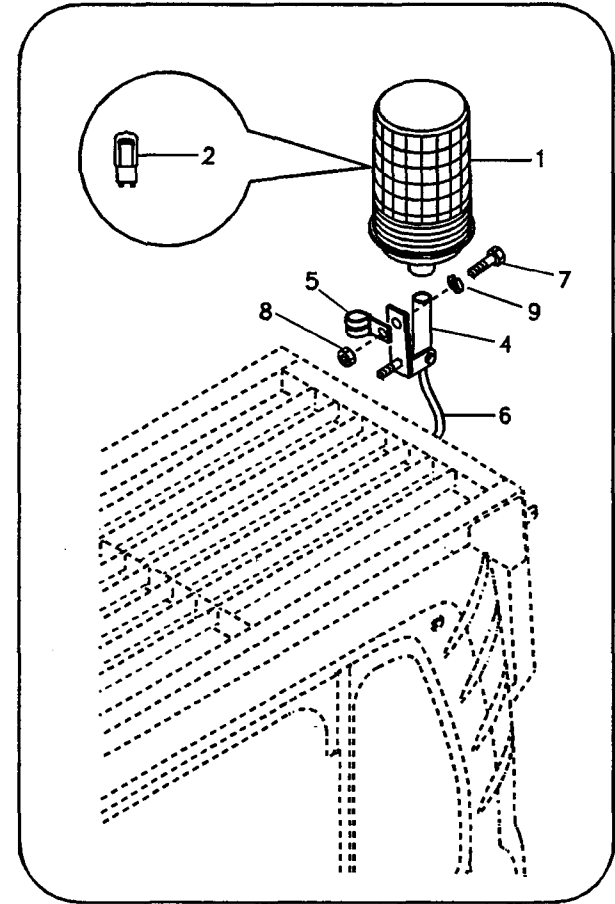
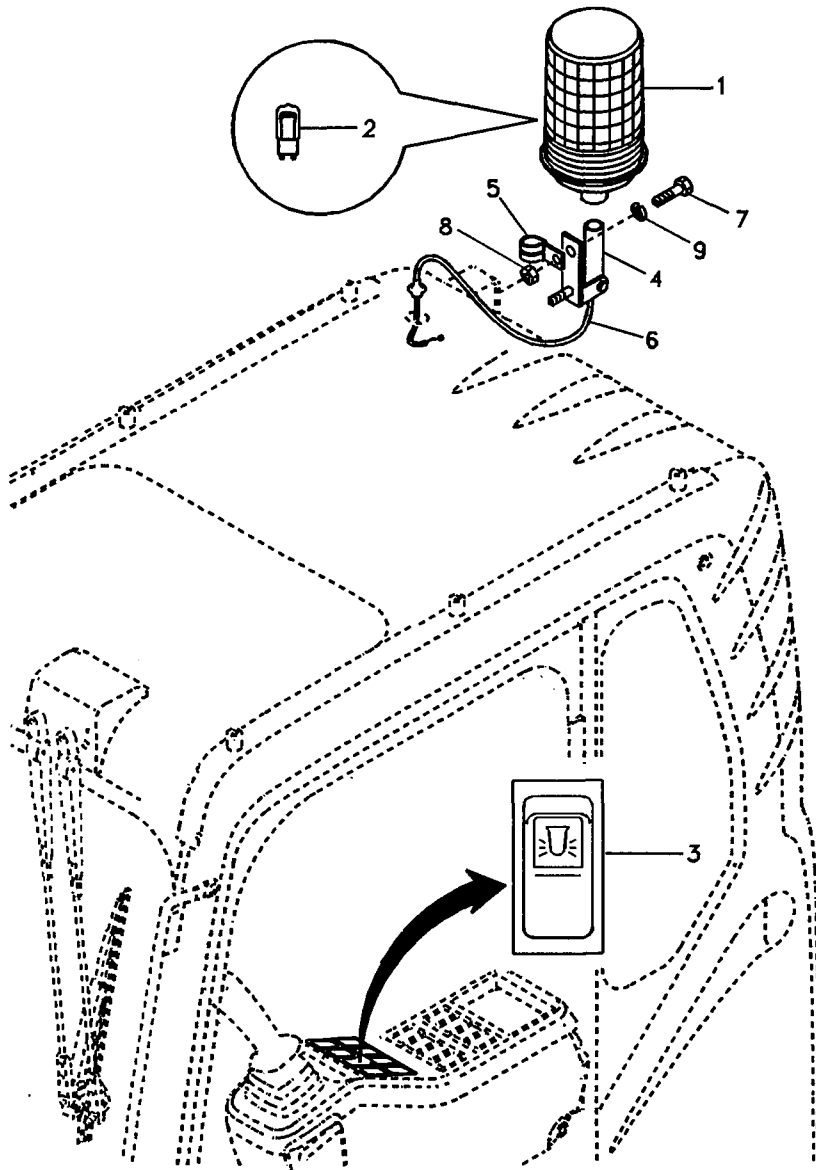


Fig.	Part No.	Quantity			P S	K I T	Description	Dénomination	Bezeichnung	품명	Denominación	Notes
		1	2	3								
1	SA 1122-04520	1			SS	Rotating Beacon .....	Gyrophare .....	Rundumkennleuchte .....	경광등 .....	Luz Rotativa Emerge.		
2	VOE 14500272	1				•Bulb .....	•Ampoule.....	•Glühlampe.....	• 전구 .....	•Ampolla.....	24V,70W	
3	SA 1123-03250	1				Switch .....	Contacteur .....	Schalter .....	스위치 .....	Contactador.....		
4	SA 1122-04530	1				Bracket.....	Console .....	Konsole .....	브라켓 .....	Ménsula.....		
5	VOE 14500290	1				Clip.....	Clip.....	Klemme .....	클립 .....	Clip.....		
6	VOE 14508746	1				Wire Harness .....	Faisceau électrique....	Kabelbaum.....	배선 .....	Manejo Cables.....		
7	VOE 946173	1			SS	Screw .....	Vis .....	Schraube .....	스크류 .....	Tornillo.....		
8	VOE 983303	1				Nut .....	Ecrou.....	Mutter .....	너트 .....	Tuerca.....		
9	VOE 955921	1				Spring Washer .....	Rondelle ressort.....	Federscheibe.....	스프링 와셔 .....	Arandela resorte.....		

1	8277138	<b>Luz giratoria de advertencia</b>	Catalogue id	Group
2		경광등	<b>56141</b>	<b>362</b>
3		<b>Rotierende Warnleuchte</b>	Illustr. No	Section
4		<b>Décteur rotatif</b>	<b>TA120</b>	<b>100</b>
5		<b>Rotating beacon</b>	Issue	Page
			<b>VOE 7414356141</b>	<b>141</b>

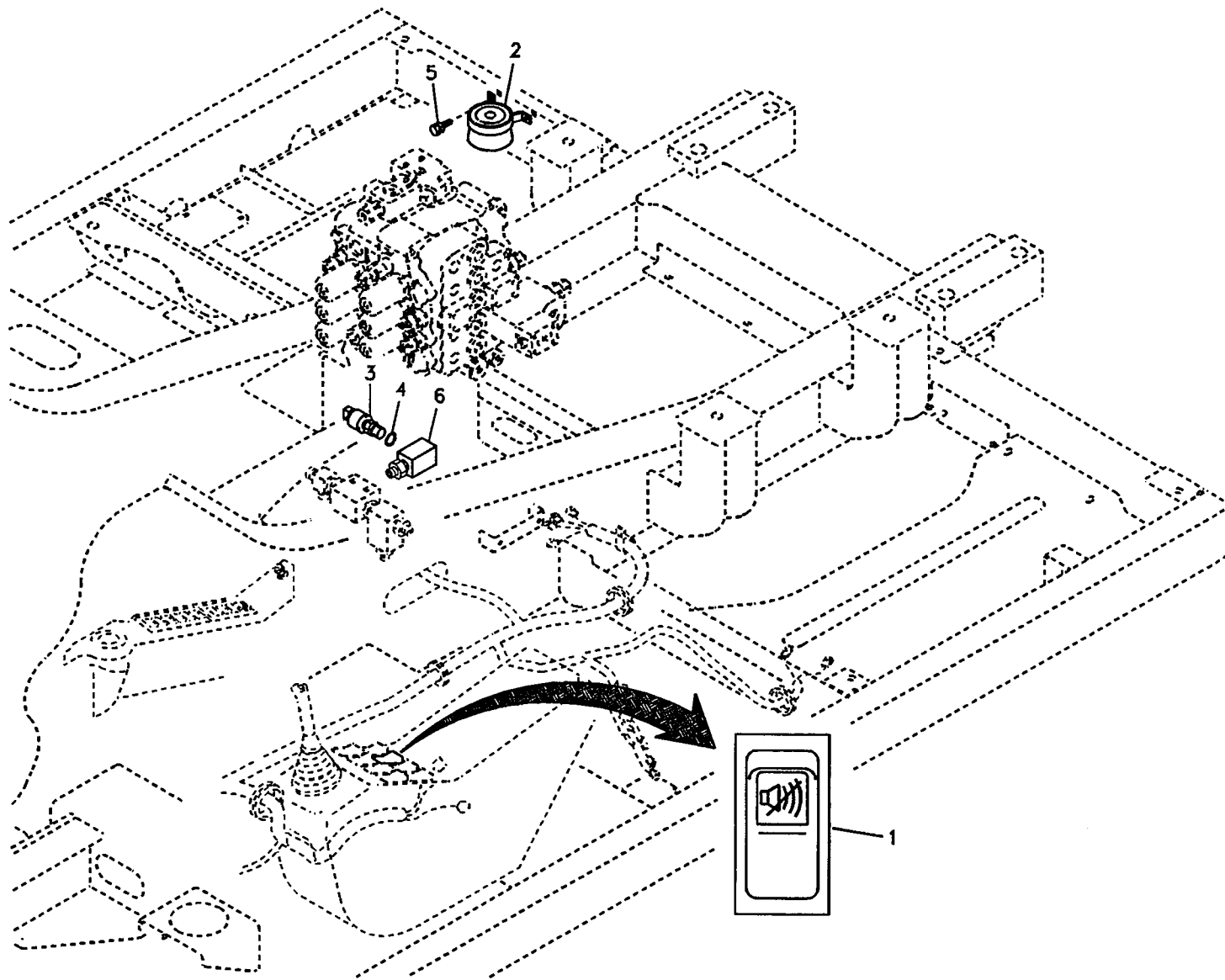


Fig.	Part No.	Quantity			P S	K I T	Description	Dénomination	Bezeichnung	품명	Denominación	Notes
		1	2	3								
1	SA 1023-05180	1				Switch .....	Contacteur .....	Schalter.....	스위치 .....	Contactor.....		
2	SA 1122-03970	1				Alarm.....	Alarme.....	Alarm Richtung .....	알람 .....	Alarma.....		
3	SA 1127-02020	1				Switch .....	Contacteur .....	Schalter.....	스위치 .....	Contactor.....	Pressure	
4	SA 9511-12011	1				O-ring.....	Joint Torique .....	O-ring .....	오링 .....	Junta torica.....		
5	VOE 946471	1				Flange Screw.....	Vis A Bride .....	Flanschschraube .....	플랜지 스크류 .....	Torn Embridado.....		
6	VOE 14500781	1				Connector .....	Raccord.....	Anschluss .....	커넥터 .....	Union.....		

1	8277715	<b>Unidad de advertencia de reserva</b> 후진 경보 장치 <b>Reserve-warneinheit</b> <b>Unité d'alerte de secours</b> <b>Back-up warning unit</b>	Catalogue id	Group
2			<b>56141</b>	<b>362</b>
3			Illustr. No	Section
4			<b>TA121</b>	<b>200</b>
5			Issue	Page
			<b>VOE 7414356141</b>	<b>143</b>



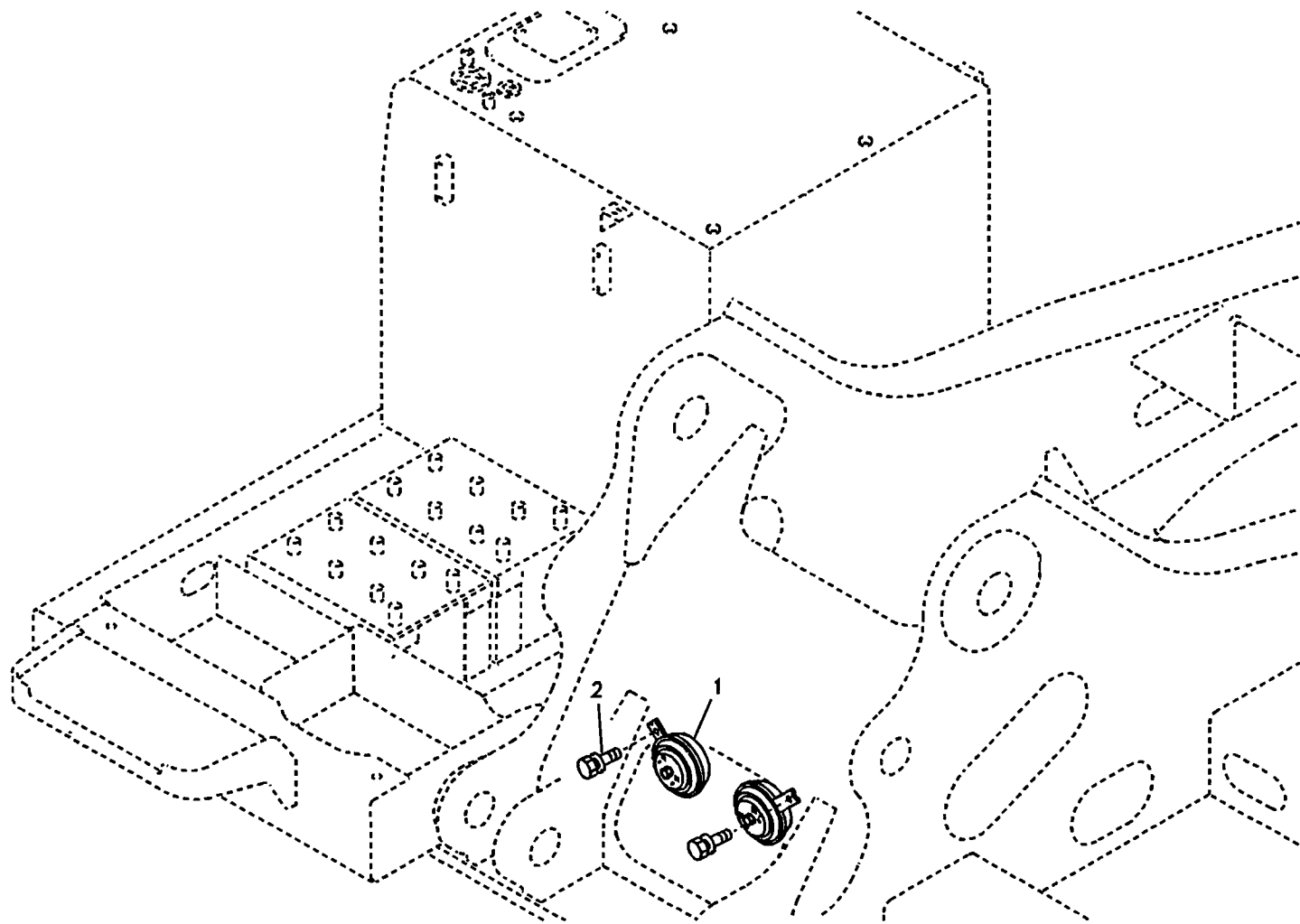


Fig.	Part No.	Quantity			P S	K I T	Description	Dénomination	Bezeichnung	품명	Denominación	Notes
		1	2	3								
1	VOE 14514356	2				Horn .....	Avertisseur sonore .....	Signalhorn .....	경음기 .....	Avisador sonoro.....		
2	VOE 946440	2				Flange Screw .....	Vis A Bride .....	Flanschschraube .....	플랜지 스크류 .....	Torn Embridado.....		

1	8277784	<b>Bocina</b> 경음기 <b>Signalhorn</b> Avertisseur sonore Horn	Catalogue id	Group
2			<b>56141</b>	<b>362</b>
3			Illustr. No	Section
4			<b>TA122</b>	<b>300</b>
5			Issue	Page
			<b>VOE 7414356141</b>	<b>145</b>

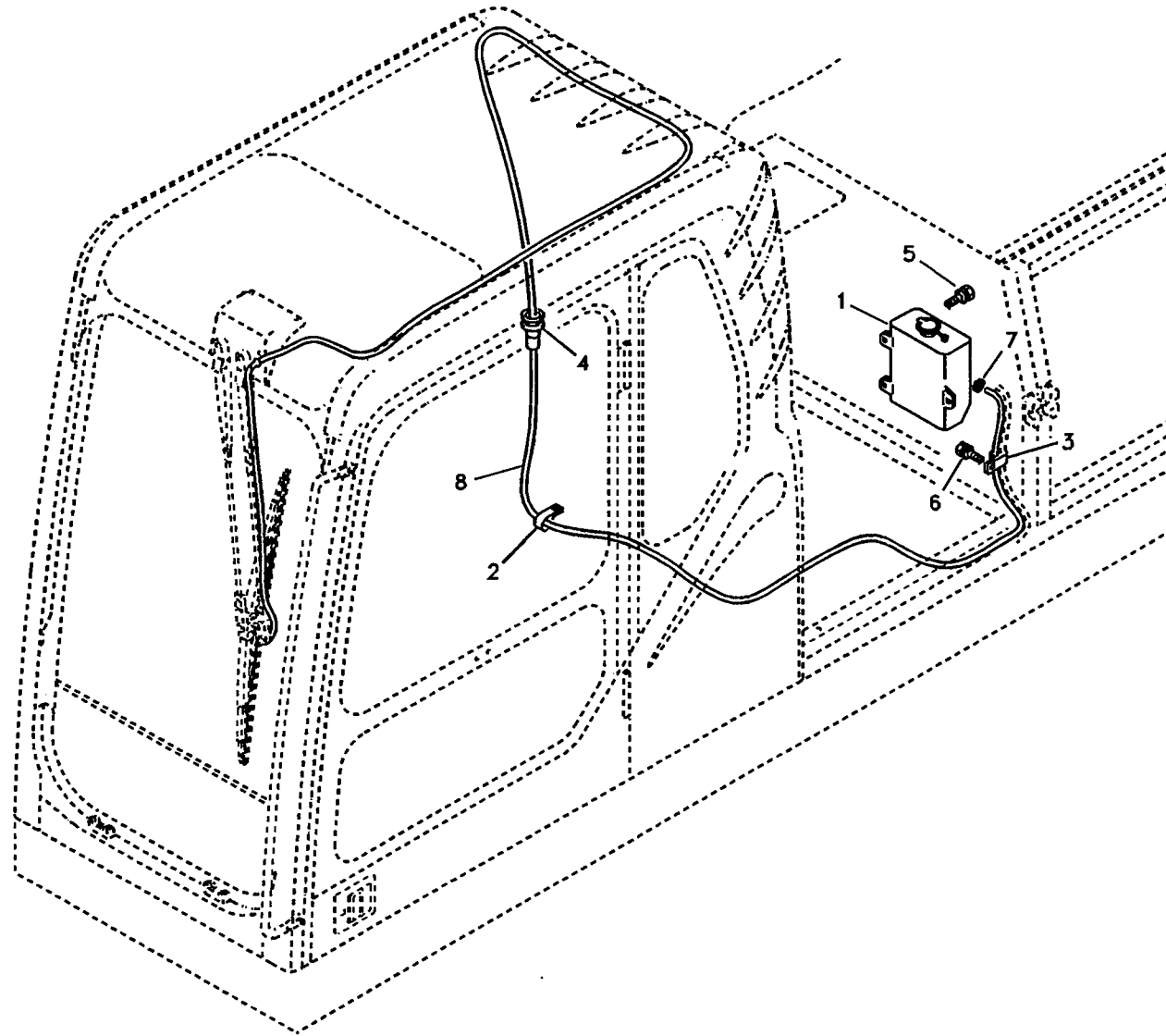


Fig.	Part No.	Quantity			P S	K I T	Description	Dénomination	Bezeichnung	품명	Denominación	Notes
		1	2	3								
1	SA 1123-00190	1					Washer Pump .....	Pomp.lave-glace .....	Spulpumpe.....	와셔 펌프.....	Bomba Rociador.....	
2	VOE 14500292	1					Clip.....	Clip.....	Klemme.....	클립 .....	Clip.....	
3	VOE 14500294	1					Clip.....	Clip.....	Klemme.....	클립 .....	Clip.....	
4	SA 2022-03510	1					Grommet.....	Passe fil .....	Durchführung.....	그로메트 .....	Aislador pasapanel....	
5	VOE 946173	3					Screw.....	Vis .....	Schraube .....	스크류 .....	Tornillo.....	
6	VOE 946471	1					Flange Screw .....	Vis A Bride .....	Flanschschraube .....	플랜지 스크류 .....	Torn Embridado.....	
7	SA 9312-00004	1					Clamp.....	Pince Serrage .....	Klemme.....	클램프 .....	Abrazadera.....	
8	SA 9962-00540	1					Hose.....	Durit .....	Schlauch .....	호스 .....	Tubo flexible.....	

1	8277784	<b>Lavaparabrisas</b> 차창 유리 와셔 <b>Scheibenwaschanlage</b> Lave - glace Windshield washer	Catalogue id	Group
2			<b>56141</b>	<b>363</b>
3			Illustr. No	Section
4			<b>TA123</b>	<b>200</b>
5			Issue	Page
			<b>VOE 7414356141</b>	<b>147</b>

**VOLVO**

**EC210B**

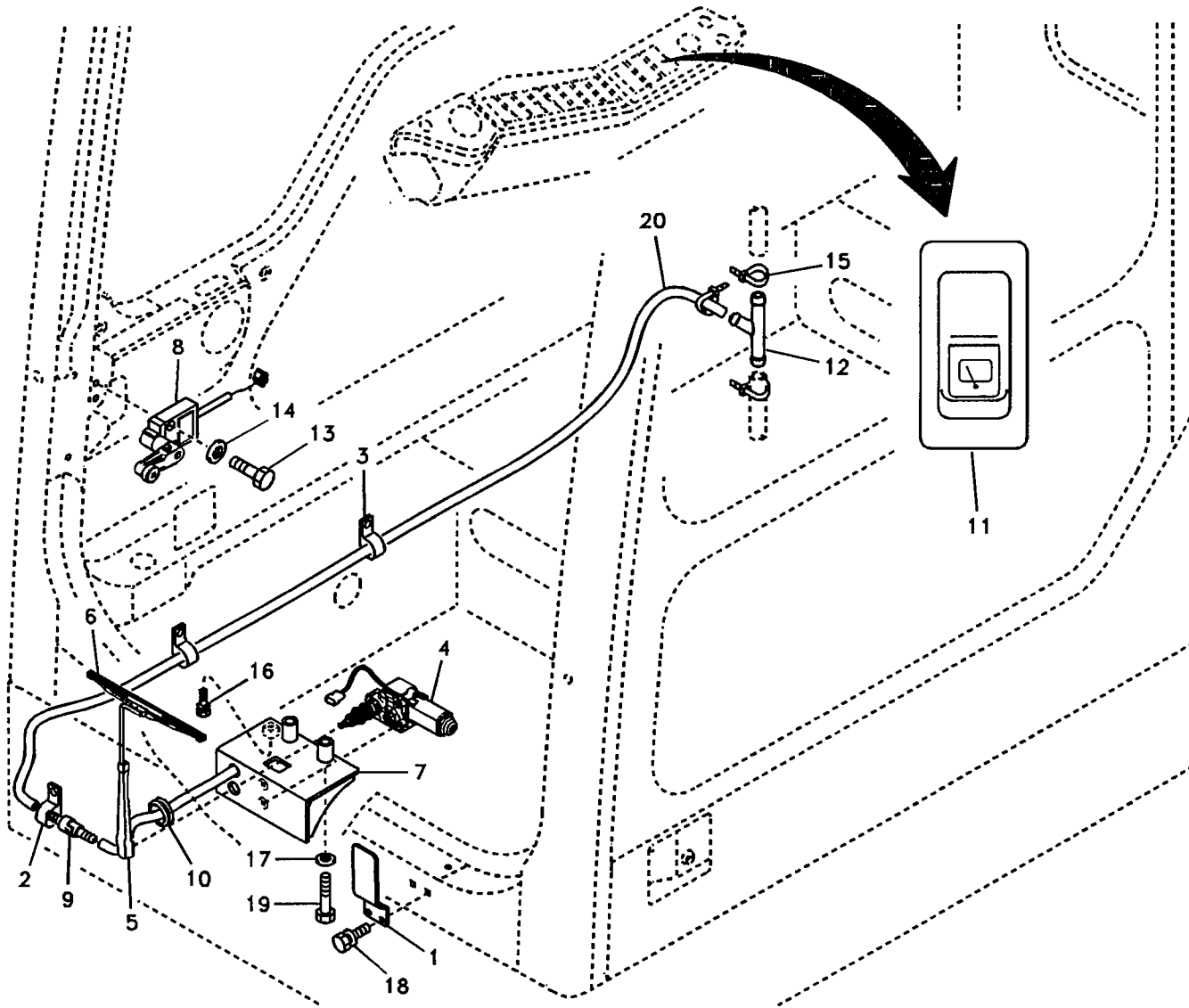


Fig.	Part No.	Quantity			P S	K I T	Description	Dénomination	Bezeichnung	품명	Denominación	Notes
		1	2	3								
1	VOE 14500190	1				Bracket.....	Console.....	Konsole.....	브라켓.....	Ménsula.....		
2	VOE 14500290	1				Clip.....	Clip.....	Klemme.....	클립.....	Clip.....		
3	VOE 14500291	3				Clip.....	Clip.....	Klemme.....	클립.....	Clip.....		
4	VOE 14508630	1				Wiper Motor.....	Moteur essuie glace...	Wischermotor.....	와이퍼 모터.....	Motor l.p.....		
5	VOE 14508631	1				Wiper Arm.....	Bras Essu.glac.....	Wischerarm.....	와이퍼 암.....	Brazo Limpiapar.....		
6	VOE 14508632	1				Wiper Blade.....	Balai essuie glace.....	Wischerblatt.....	와이퍼 블레이드.....	Escobilla l.p.....		
7	VOE 14508634	1				Bracket.....	Console.....	Konsole.....	브라켓.....	Ménsula.....		
8	VOE 14508636	1				Switch.....	Contacteur.....	Schalter.....	스위치.....	Contacteur.....	Low limit	
9	VOE 14508637	1				Check valve.....	Valve antiretour.....	Rückschlagventil.....	체크 밸브.....	Valvula retencion.....		
10	VOE 14508638	1				Grommet.....	Passe fil.....	Durchführung.....	그로메트.....	Aislador pasapanel....		
11	VOE 14511429	1				Switch.....	Contacteur.....	Schalter.....	스위치.....	Contacteur.....	Lower wiper	
12	VOE 14511472	1				Connector.....	Raccord.....	Anschluss.....	커넥터.....	Union.....		
13	SA 9021-10405	2				Screw.....	Vis.....	Schraube.....	스크류.....	Tornillo.....		
14	SA 9211-04000	2				Washer.....	Rondelle.....	Scheibe.....	와셔.....	Arandela.....		
15	SA 9314-02100	5				Strip Clamp.....	Ruban Serrage.....	Bandklammer.....	스트립 클램프.....	Abraz Cinta.....		
16	VOE 946471	1				Flange Screw.....	Vis A Bride.....	Flanschschraube.....	플랜지 스크류.....	Torn Embridado.....		
17	VOE 955900	2				Washer.....	Rondelle.....	Scheibe.....	와셔.....	Arandela.....		
18	VOE 965175	2				Screw.....	Vis.....	Schraube.....	스크류.....	Tornillo.....		
19	VOE 978939	2				Screw.....	Vis.....	Schraube.....	스크류.....	Tornillo.....		
20	SA 9962-10565	1				Hose.....	Durit.....	Schlauch.....	호스.....	Tube flexible.....		

1	8277790	<b>Limpiaparabrisas inferior</b> 하부 와이퍼 <b>Wischer, unten</b> <b>Essui glace inférieure</b> Lower wiper	Catalogue id	Group
2			<b>56141</b>	<b>363</b>
3			Illustr. No	Section
4			<b>TA124</b>	<b>300</b>
5			Issue	Page
			<b>VOE 7414356141</b>	<b>149</b>

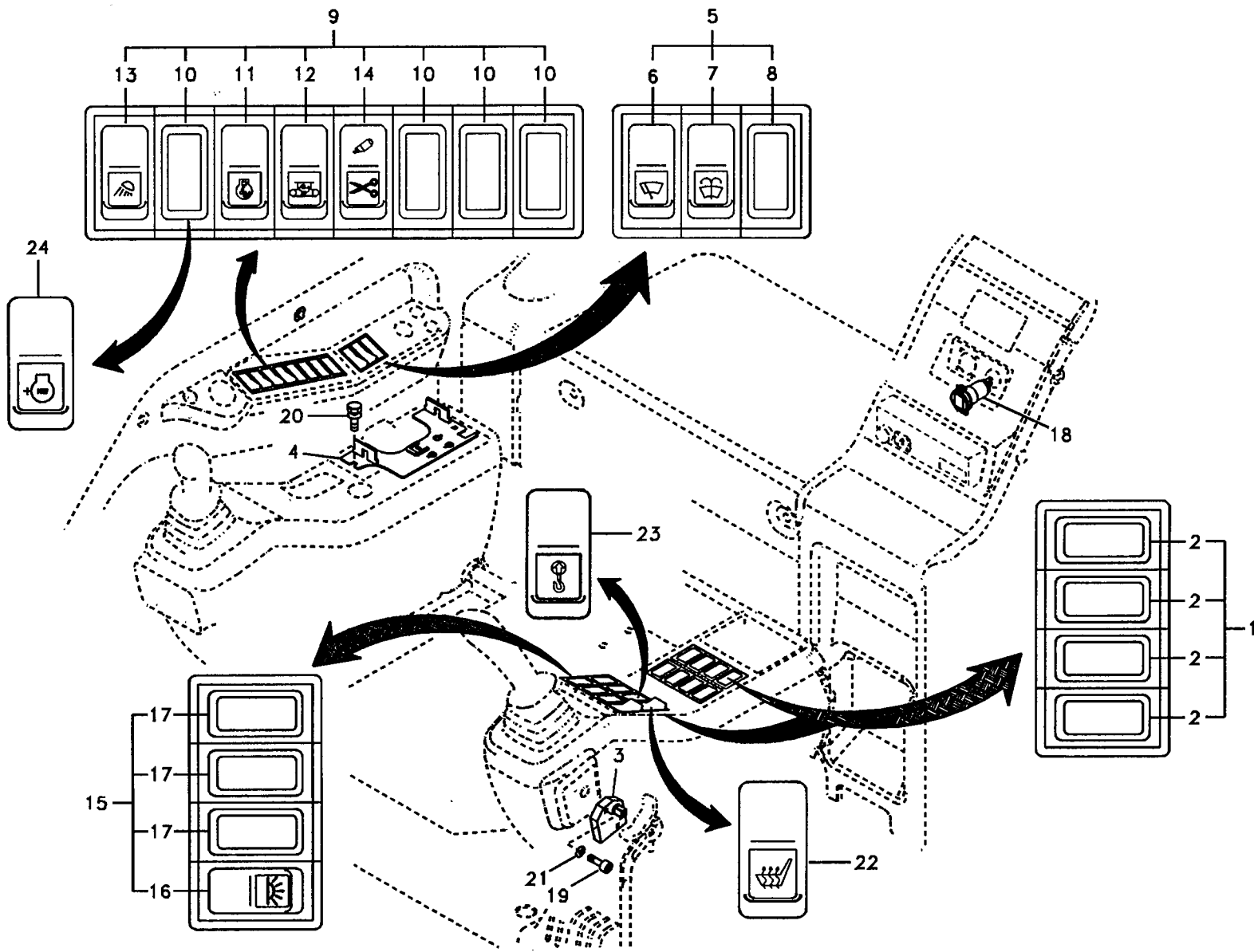


Fig.	Part No.	Quantity					P S	K I T	Description	Dénomination	Bezeichnung	품명	Denominación	Notes
		1	2	3	4	5								
1	VOE 14502714	3						Switch .....	Contacteur .....	Schalter .....	스위치 .....	Contactador.....	Blank cover	
2		4					NS	•Cover .....	•Capot .....	•Haube .....	•커버 .....	•Capo.....		
3	VOE 14502716	1						Lever .....	Levier .....	Hebel .....	레버 .....	Palanca.....		
4	VOE 14503177	1						Bracket.....	Console .....	Konsole .....	브라켓.....	Ménsula.....		
5	VOE 14505608	1						Switch .....	Contacteur .....	Schalter .....	스위치 .....	Contactador.....	Rocker 3	
6	VOE 14505609	1						•Switch .....	•Contacteur .....	•Schalter .....	•스위치 .....	•Contactador.....	Upper wiper	
7	SA 1123-03230	1						•Switch .....	•Contacteur .....	•Schalter .....	•스위치 .....	•Contactador.....	Washer	
8		1					NS	•Cover .....	•Capot .....	•Haube .....	•커버 .....	•Capo.....		
9	VOE 14507266	1						Switch .....	Contacteur .....	Schalter .....	스위치 .....	Contactador.....	Rocker 8	
10		4					NS	•Cover .....	•Capot .....	•Haube .....	•커버 .....	•Capo.....		
11	SA 1123-03200	1						•Switch .....	•Contacteur .....	•Schalter .....	•스위치 .....	•Contactador.....	Rotary auto idle	
12	SA 1123-03240	1						•Switch .....	•Contacteur .....	•Schalter .....	•스위치 .....	•Contactador.....	2 Speed	
13	SA 1123-04850	1						•Switch .....	•Contacteur .....	•Schalter .....	•스위치 .....	•Contactador.....	ILL Work	
14	VOE 14507432	1						•Switch .....	•Contacteur .....	•Schalter .....	•스위치 .....	•Contactador.....	Boost	
15	VOE 14507298	1						Switch .....	Contacteur .....	Schalter .....	스위치 .....	Contactador.....	Rocker 4	
16	SA 1123-03180	1						•Switch .....	•Contacteur .....	•Schalter .....	•스위치 .....	•Contactador.....	Room lamp	
17		3					NS	•Cover .....	•Capot .....	•Haube .....	•커버 .....	•Capo.....		
18	VOE 14508603	1						Socket.....	Socle .....	Socket .....	소켓 .....	Zocalo.....		
19	SA 9016-10503	3						Bolt.....	Boulon .....	Bolzen .....	볼트 .....	Perno.....		
20	VOE 946440	3						Flange Screw.....	Vis A Bride .....	Flanschschraube .....	플랜지 스크류.....	Torn Embridado.....		
21	VOE 940090	3						Washer .....	Rondelle .....	Scheibe .....	와셔 .....	Arandela.....		
22	SA 1123-03860		1	1				Switch .....	Contacteur .....	Schalter .....	스위치 .....	Contactador.....	Seat heater	
23	SA 1123-04080				1			Switch .....	Contacteur .....	Schalter .....	스위치 .....	Contactador.....	Over load	
24	VOE 14502010					1		Switch .....	Contacteur .....	Schalter .....	스위치 .....	Contactador.....	Power max mode	

1	8277784	<b>Interruptor</b> 스위치 <b>Schalter</b> <b>Interrupteur</b> <b>Switch</b>	Catalogue id	Group
2	8277144		<b>56141</b>	<b>364</b>
3	8277145		Illustr. No	Section
4	8277877		<b>TA125</b>	<b>100</b>
5	8278093		Issue	Page
			<b>VOE 7414356141</b>	<b>151</b>



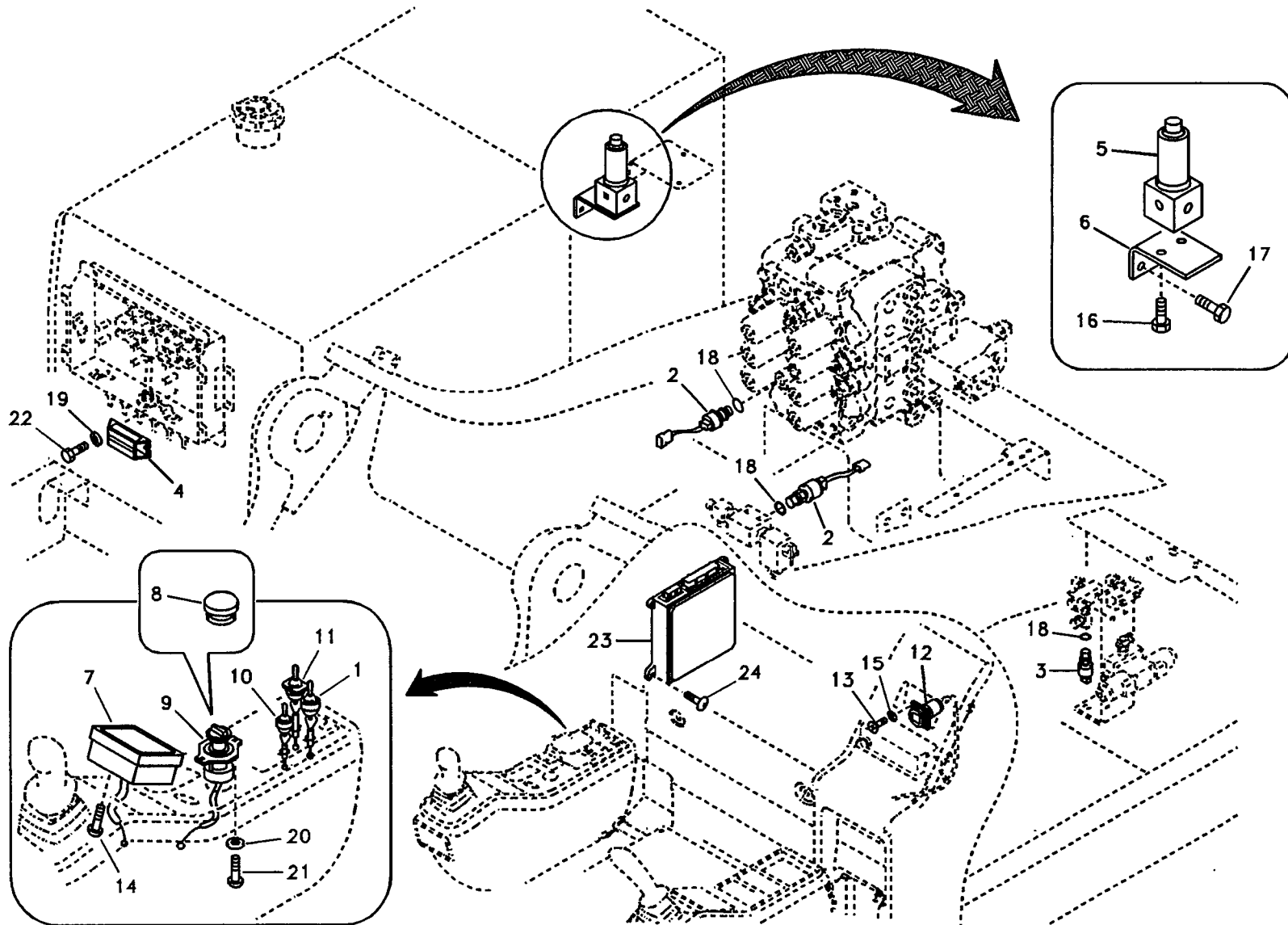


Fig.	Part No.	Quantity			P S	K I T	Description	Dénomination	Bezeichnung	품명	Denominación	Notes
		1	2	3								
1	SA 1123-00850	1					Toggle Switch .....	Interru.bascule .....	Wippschalter .....	토글 스위치 .....	Interrup Bascul.....	
2	SA 1127-02020	2					Switch .....	Contacteur .....	Schalter .....	스위치 .....	Contactador.....	Pressure
3	SA 1127-02030		1	1			Switch .....	Contacteur .....	Schalter .....	스위치 .....	Contactador.....	Pressure
4	SA 1127-20110	1					Box.....	Boîte.....	Kasten .....	박스 .....	Caja.....	
5	SA 1127-30700		1	1			Valve.....	Soupape.....	Ventil .....	밸브 .....	Valvula.....	
6	SA 1127-31020		1	1			Bracket.....	Console.....	Konsole .....	브라켓 .....	Ménsula.....	
7	VOE 14513653	1					Display .....	Indicateur .....	Display .....	디스플레이 .....	Visualizador.....	
8	VOE 14501960	1					Cover .....	Capot .....	Haube .....	커버 .....	Capo.....	
9	VOE 14501961		1	1			Selector.....	Selecteur.....	Wähler .....	전환기 .....	Selector.....	
10	VOE 14502170		1	1			Toggle Switch .....	Interru.bascule .....	Wippschalter .....	토글 스위치 .....	Interrup Bascul.....	
11	VOE 14504156	1					Switch .....	Contacteur .....	Schalter .....	스위치 .....	Contactador.....	Emergency
12	VOE 14508669	1					Socket .....	Socle .....	Socket .....	소켓 .....	Zocalo.....	
13	SA 9021-10302	4					Screw .....	Vis .....	Schraube .....	스크류 .....	Tornillo.....	
14	SA 9025-04002	4					Screw .....	Vis .....	Schraube .....	스크류 .....	Tornillo.....	
15	SA 9213-03000	4					Washer.....	Rondelle.....	Scheibe .....	와셔 .....	Arandela.....	
16	VOE 946440		2	2			Flange Screw .....	Vis A Bride .....	Flanschschrabe .....	플랜지 스크류 .....	Torn Embridado.....	
17	VOE 946441		2	2			Flange Screw .....	Vis A Bride .....	Flanschschrabe .....	플랜지 스크류 .....	Torn Embridado.....	
18	SA 9511-12011	2	1	1			O-ring.....	Joint Torique .....	O-ring .....	오링 .....	Junta torica.....	
19	VOE 955892	2					Washer.....	Rondelle.....	Scheibe .....	와셔 .....	Arandela.....	
20	VOE 955918		2	2			Spring Washer .....	Rondelle ressort.....	Federscheibe.....	스프링 와셔 .....	Arandela resorte.....	
21	VOE 969405		2	2			6-pt Skt Screw.....	Vis Creuse 6 De.....	6-zahn Hohlschr .....	6 포인트 소켓 스크류 .....	Racor 6-dientes.....	
22	VOE 969420	2					6-pt Skt Screw.....	Vis Creuse 6 De.....	6-zahn Hohlschr .....	6 포인트 소켓 스크류 .....	Racor 6-dientes.....	
23	VOE 14514090						ECU .....	ECU .....	ECU .....	컨트롤러 .....	ECU.....	
24	VOE 945444	4			SS		Screw .....	Vis .....	Schraube .....	스크류 .....	Tornillo.....	

1	8277784	<b>Unidad electrónica</b> 전자 제어 장치 <b>Elektronische Einheit</b> <b>Unité électronique</b> <b>Electronic unit.</b>	Catalogue id	Group
2	8277855		<b>56141</b>	<b>367</b>
3	8277856		Illustr. No	Section
4			<b>TA126</b>	<b>100</b>
5			Issue	Page
			<b>VOE 7414356141</b>	<b>153</b>

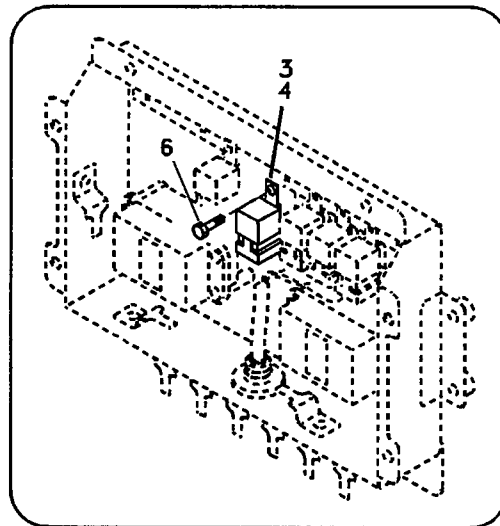
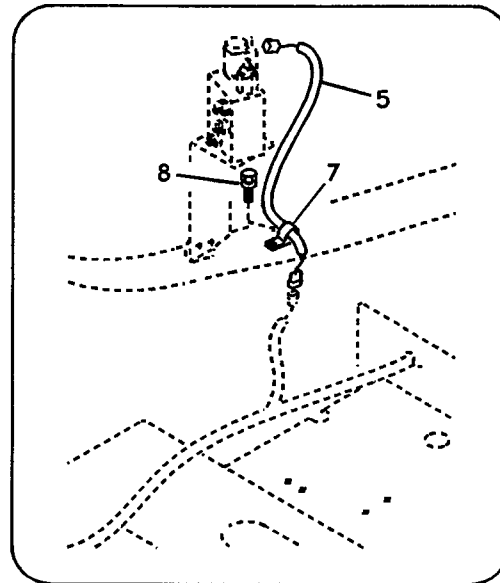
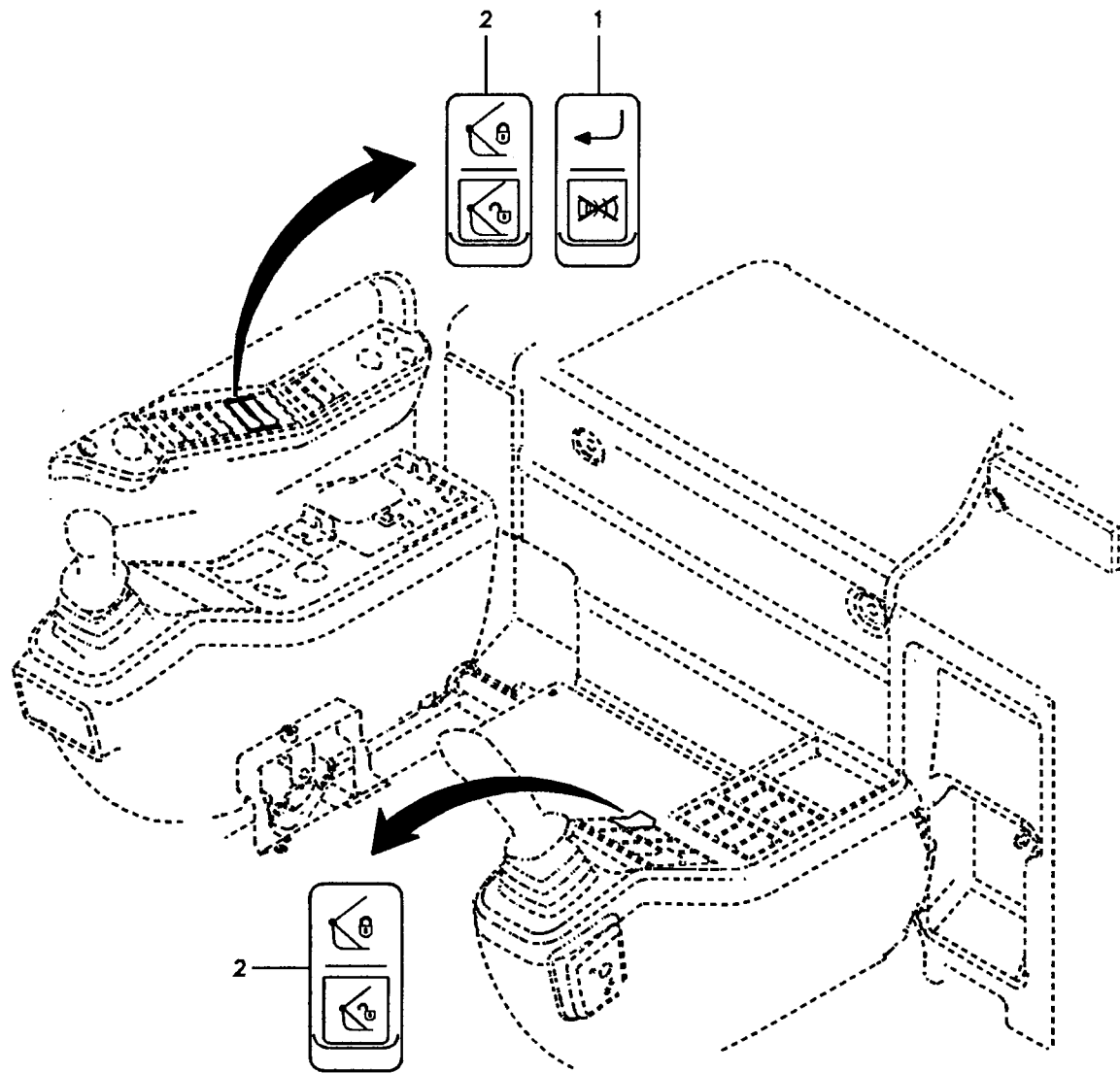


Fig.	Part No.	Quantity			P S	K I T	Description	Dénomination	Bezeichnung	품명	Denominación	Notes
		1	2	3								
1	SA 1123-04820	1				Switch .....	Contacteur .....	Schalter .....	스위치 .....	Contactador.....	B Stop Conf	
2	VOE 14501728	2				Switch .....	Contacteur .....	Schalter .....	스위치 .....	Contactador.....	Rocker	
3	SA 1123-00290	2				Relay.....	Relais .....	Relais .....	릴레이 .....	Rele.....	Three piont	
4	SA 1123-01900	1				•Relay .....	•Relais.....	•Relais.....	•릴레이 .....	•Rele.....	Three piont	
5	VOE 14511144	1				Wire Harness .....	Faisceau électrique .....	Kabelbaum.....	배선 .....	Manejo Cables.....		
6	SA 9037-10603	1				Bolt.....	Boulon.....	Bolzen.....	볼트 .....	Perno.....		
7	VOE 14500290	1				Clip.....	Clip.....	Klemme .....	클립 .....	Clip.....		
8	VOE 946471	1				Flange Screw .....	Vis A Bride .....	Flanschschraube .....	플랜지 스크류 .....	Torn Embridado.....		

1	8277870	<b>Interruptor, control de enganche rápido</b> <b>퀵 핏 제어 스위치</b> <b>Schalter, Schnellwechsler</b> <b>Interrupteur, raccord rapide</b> <b>Switch, quickfit control</b>	Catalogue id	Group
2			<b>56141</b>	<b>369</b>
3			Illustr. No	Section
4			<b>TA127</b>	<b>100</b>
5			Issue	Page
			<b>VOE 7414356141</b>	<b>155</b>

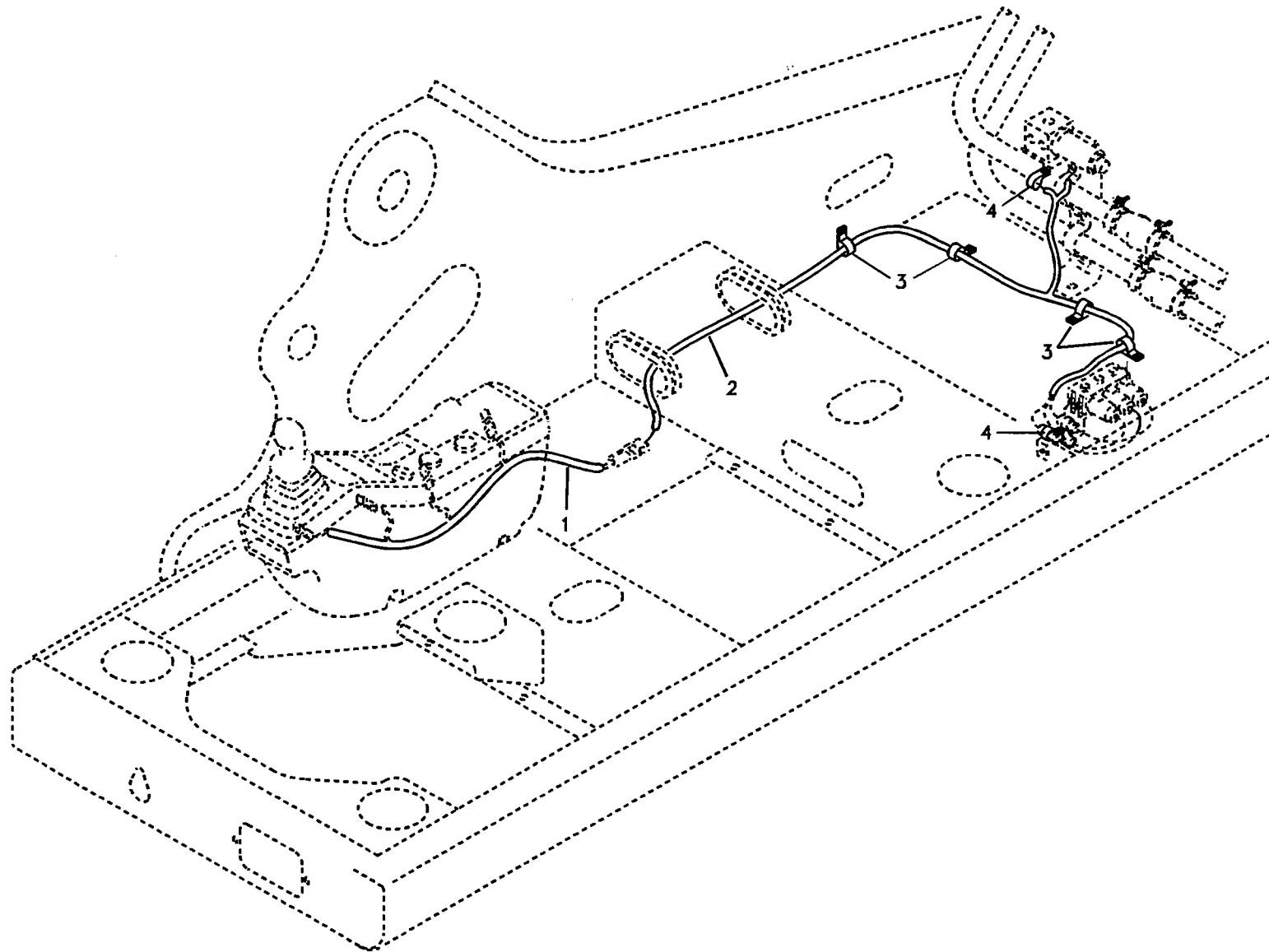


Fig.	Part No.	Quantity			P S	K I T	Description	Dénomination	Bezeichnung	품명	Denominación	Notes
		1	2	3								
1	VOE 14517499	1				Wire Harness .....	Faisceau électrique....	Kabelbaum.....	배선 .....	Manejo Cables.....		
2	VOE 14517569	1				Wire Harness .....	Faisceau électrique....	Kabelbaum.....	배선 .....	Manejo Cables.....		
3	VOE 14500293	4				Clip.....	Clip.....	Klemme.....	클립 .....	Clip.....		
4	SA 2022-02350	2				Clip.....	Clip.....	Klemme.....	클립 .....	Clip.....		

1	8278550	<b>Haz de cables para cazo con brazo de agarrar</b> 섬 버킷 배선 케이블 <b>Hauptkabel und -leitungen für Schaufel mit Greifarm</b> <b>Câble et faisceau de câble pour godet avec grappin à fourche</b> <b>Cable and wire harness, thumb bucket</b>	Catalogue id	Group
2			<b>56141</b>	<b>369</b>
3			Illustr. No	Section
4			<b>TA199</b>	<b>300</b>
5			Issue	Page
			<b>VOE 7414356141</b>	<b>157</b>

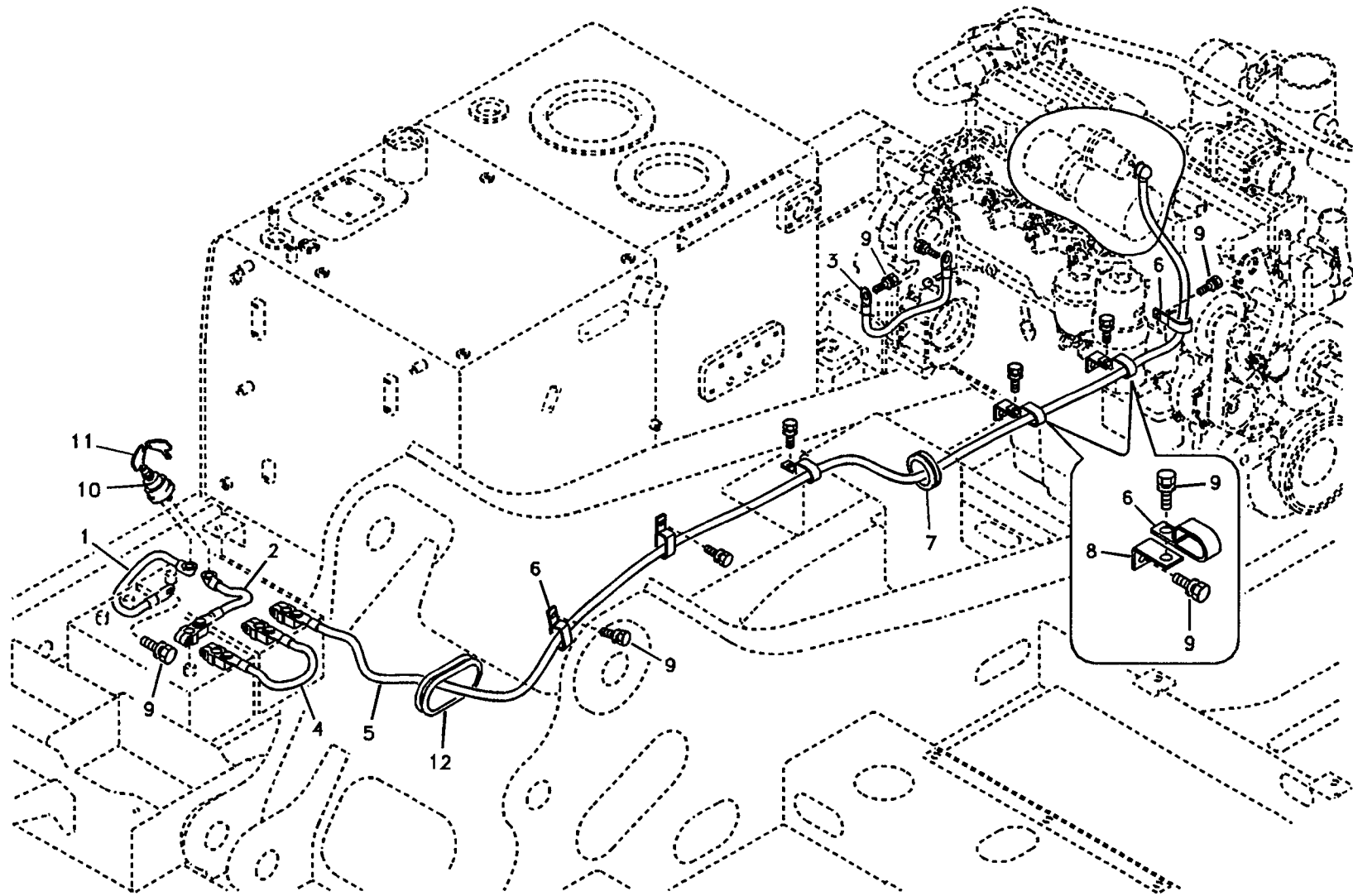


Fig.	Part No.	Quantity			P S	K T	Description	Dénomination	Bezeichnung	품명	Denominación	Notes
		1	2	3								
1	SA 1121-00040	1				Battery Cable .....	Cable Batterie .....	Batterieleitung.....	батде리 케이블 .....	Cable Bateria.....	LE-Negative	
2	SA 1121-00080	1				Battery Cable .....	Cable Batterie .....	Batterieleitung.....	батде리 케이블 .....	Cable Bateria.....	Master switch	
3	SA 1121-00170	1				Battery Cable .....	Cable Batterie .....	Batterieleitung.....	батде리 케이블 .....	Cable Bateria.....	Negative	
4	VOE 14500158	1				Battery Cable_a .....	Battery Cable_a .....	Battery Cable_a .....	батде리 케이블 .....	Battery Cable_a.....	Ext	
5	VOE 14507265	1				Battery Cable .....	Cable Batterie .....	Batterieleitung.....	батде리 케이블 .....	Cable Bateria.....	Positive	
6	VOE 14507451	6				Clip.....	Clip.....	Klemme.....	클립 .....	Clip.....		
7	SA 2021-00680	1				Grommet.....	Passe fil .....	Durchführung.....	그로메트 .....	Aislador pasapanel....		
8	SA 2025-03460	2				Bracket.....	Console .....	Konsole .....	브라켓 .....	Ménsula.....		
9	VOE 946471	10				Flange Screw .....	Vis A Bride .....	Flanschschraube .....	플랜지 스크류 .....	Torn Embridado.....		
10	SA 1121-00381	1				Switch .....	Contacteur .....	Schalter.....	스위치 .....	Contacteur.....	Master	
11	SA 8240-00500	2				•Key .....	•Clavette.....	•Keil.....	•키.....	•Llave (cuna).....		
12	VOE 14509621	1				Grommet.....	Passe fil .....	Durchführung.....	그로메트 .....	Aislador pasapanel....		

1	8277784	<b>Cables, batería</b> батде리 케이블 <b>Batteriekabel</b> <b>Câbles, batterie</b> <b>Cables, battery</b>	Catalogue id	Group
2			<b>56141</b>	<b>371</b>
3			Illustr. No	Section
4			<b>TA128</b>	<b>100</b>
5			Issue	Page
			<b>VOE 7414356141</b>	<b>159</b>



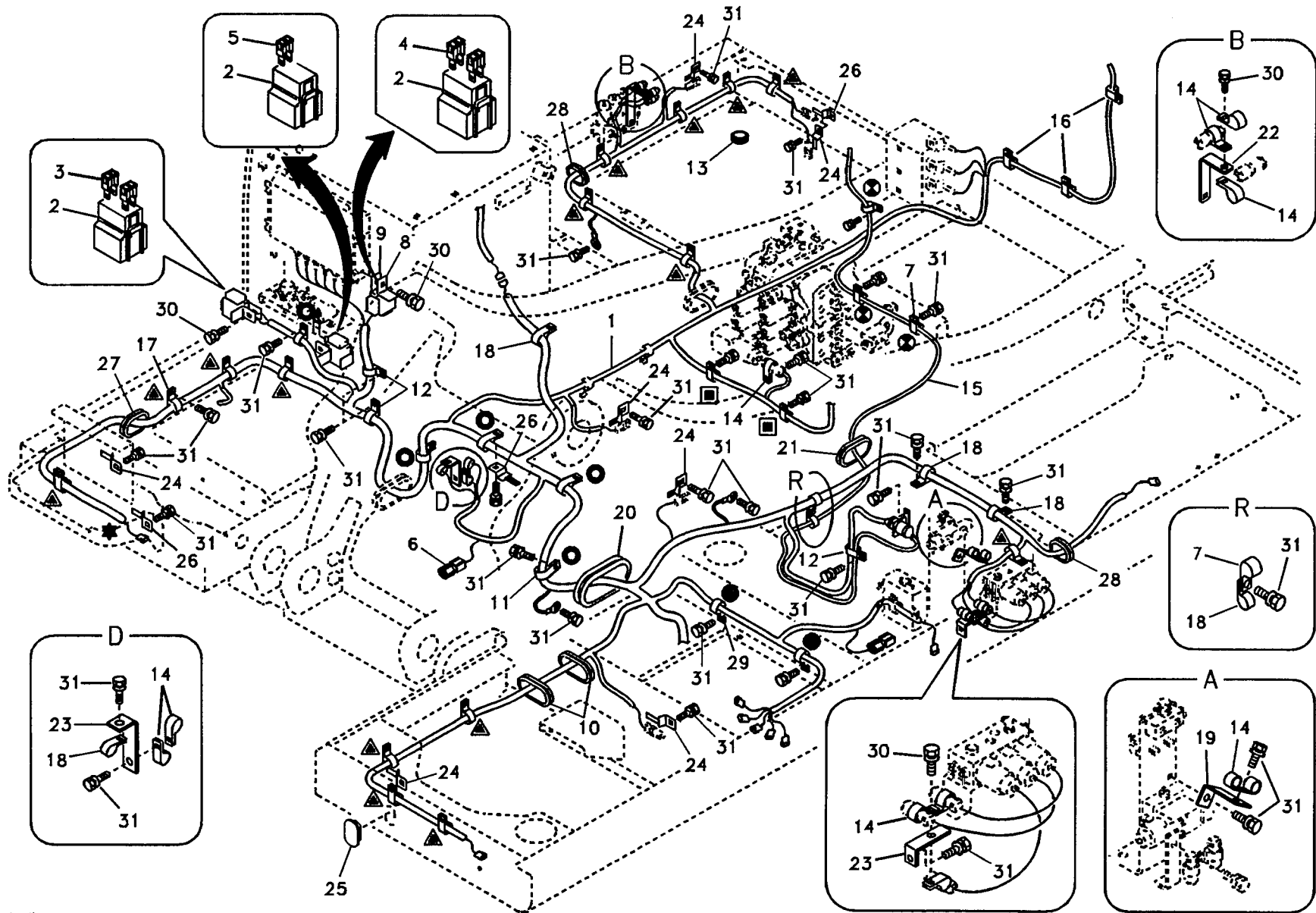


Fig.	Part No.	Quantity			P S	K I T	Description	Dénomination	Bezeichnung	품명	Denominación	Notes
		1	2	3								
1	VOE 14512672	1				Wire Harness .....	Faisceau électrique .....	Kabelbaum .....	배선 .....	Manojo Cables.....		
2	SA 1122-00940	3				•Block .....	•Bloc .....	•Block .....	•블록 .....	•Bloque.....		
3	SA 9879-10400	2				•Fuse .....	•Fusible .....	•Schmelzsicherg.....	•휴즈 .....	•Fusible.....	40A,Green	
4	SA 9879-10800	2				•Fuse .....	•Fusible .....	•Schmelzsicherg.....	•휴즈 .....	•Fusible.....	80A,Black	
5	SA 9879-11000	1				•Fuse .....	•Fusible .....	•Schmelzsicherg.....	•휴즈 .....	•Fusible.....	100A,Blue	
6	VOE 14500395	7				•Diode .....	•Diode .....	•Diode.....	•다이오드 .....	•Dioda.....	3A	
7	VOE 14500297	4				Clip .....	Clip .....	Klemme .....	클립 .....	Clip.....		
8	SA 1122-01750	3				Bracket.....	Ferrure-support .....	Tragstutse.....	브라켓 .....	Hierro Apoyo.....		
9	SA 1122-01760	3				Bracket.....	Ferrure-support .....	Tragstutse.....	브라켓 .....	Hierro Apoyo.....		
10	SA 1048-00110	2				Grommet .....	Passe fil .....	Durchführung.....	그로메트 .....	Aislador pasapanel....		
11	VOE 14500298	5				Clip .....	Clip .....	Klemme .....	클립 .....	Clip.....		
12	VOE 14500299	3				Clip .....	Clip .....	Klemme .....	클립 .....	Clip.....		
13	SA 2066-04100	1				Grommet .....	Passe fil .....	Durchführung.....	그로메트 .....	Aislador pasapanel....		
14	SA 2022-02350	11				Clip .....	Clip .....	Klemme .....	클립 .....	Clip.....		
15	VOE 14512670	1				Wire Harness .....	Faisceau électrique .....	Kabelbaum .....	배선 .....	Manojo Cables.....		
16	VOE 14500291	7				Clip .....	Clip .....	Klemme .....	클립 .....	Clip.....		
17	VOE 14500292	13				Clip .....	Clip .....	Klemme .....	클립 .....	Clip.....		
18	VOE 14500293	5				Clip .....	Clip .....	Klemme .....	클립 .....	Clip.....		
19	SA 1125-00650	1				Bracket.....	Ferrure-support .....	Tragstutse.....	브라켓 .....	Hierro Apoyo.....		
20	VOE 14510985	1				Grommet .....	Passe fil .....	Durchführung.....	그로메트 .....	Aislador pasapanel....		
21	VOE 14509621	1				Grommet .....	Passe fil .....	Durchführung.....	그로메트 .....	Aislador pasapanel....		
22	VOE 14511073	1				Bracket.....	Console .....	Konsole .....	브라켓 .....	Ménsula.....		
23	VOE 14505501	2				Bracket.....	Ferrure-support .....	Tragstutse.....	브라켓 .....	Hierro Apoyo.....		
24	VOE 14510011	7				Clip .....	Clip .....	Klemme .....	클립 .....	Clip.....		
25	VOE 14511453	1				Grommet .....	Passe fil .....	Durchführung.....	그로메트 .....	Aislador pasapanel....		
26	SA 9392-10130	3				Clip .....	Clip .....	Klemme .....	클립 .....	Clip.....		
27	SA 9751-13606	1				Grommet .....	Passe fil .....	Durchführung.....	그로메트 .....	Aislador pasapanel....		
28	SA 9751-15016	2				Grommet .....	Passe fil .....	Durchführung.....	그로메트 .....	Aislador pasapanel....		
29	VOE 14500295	2				Clip .....	Clip .....	Klemme .....	클립 .....	Clip.....		
30	VOE 946441	3				Flange Screw .....	Vis A Bride .....	Flanschschraube .....	플랜지 스크류 .....	Torn Embridado.....		

1	8277784	<b>Haz de cables, principal</b>	Catalogue id	Group
2		메인 배선 케이블	<b>56141</b>	<b>371</b>
3		<b>Hauptkabel und -leitungen</b>	Illustr. No	Section
4		<b>Câble et faisceau de câbles, principal</b>	<b>TA129</b>	<b>200</b>
5		<b>Cable and wire harness, main</b>	Issue	Page
			<b>VOE 7414356141</b>	<b>161</b>

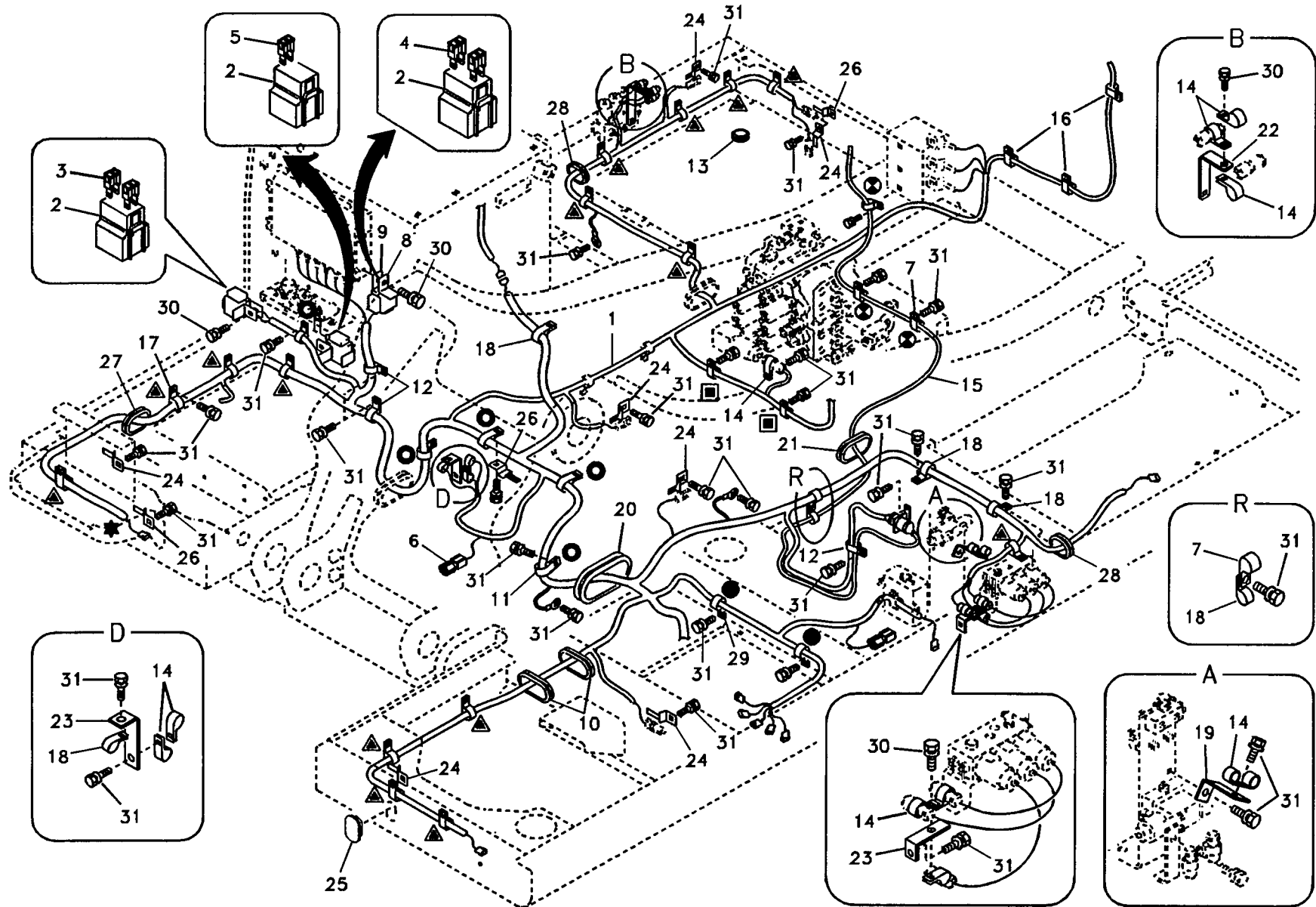


Fig.	Part No.	Quantity			P S	K I T	Description	Dénomination	Bezeichnung	품명	Denominación	Notes
		1	2	3								
31	VOE 946471	54					Flange Screw .....	Vis A Bride .....	Flanschschraube .....	플랜지 스크류 .....	Torn Embridado.....	

1	8277784	<b>Haz de cables, principal</b> 메인 배선 케이블 <b>Hauptkabel und -leitungen</b> <b>Câble et faisceau de câbles, principal</b> <b>Cable and wire harness, main</b>	Catalogue id	Group
2			<b>56141</b>	<b>371</b>
3			Illustr. No	Section
4			<b>TA129</b>	<b>200</b>
5			Issue	Page
			<b>VOE 7414356141</b>	<b>163</b>

**VOLVO**

**EC210B**

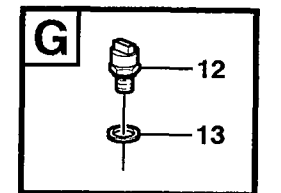
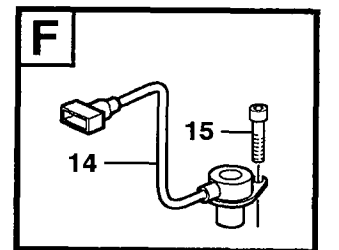
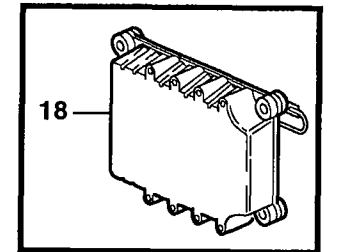
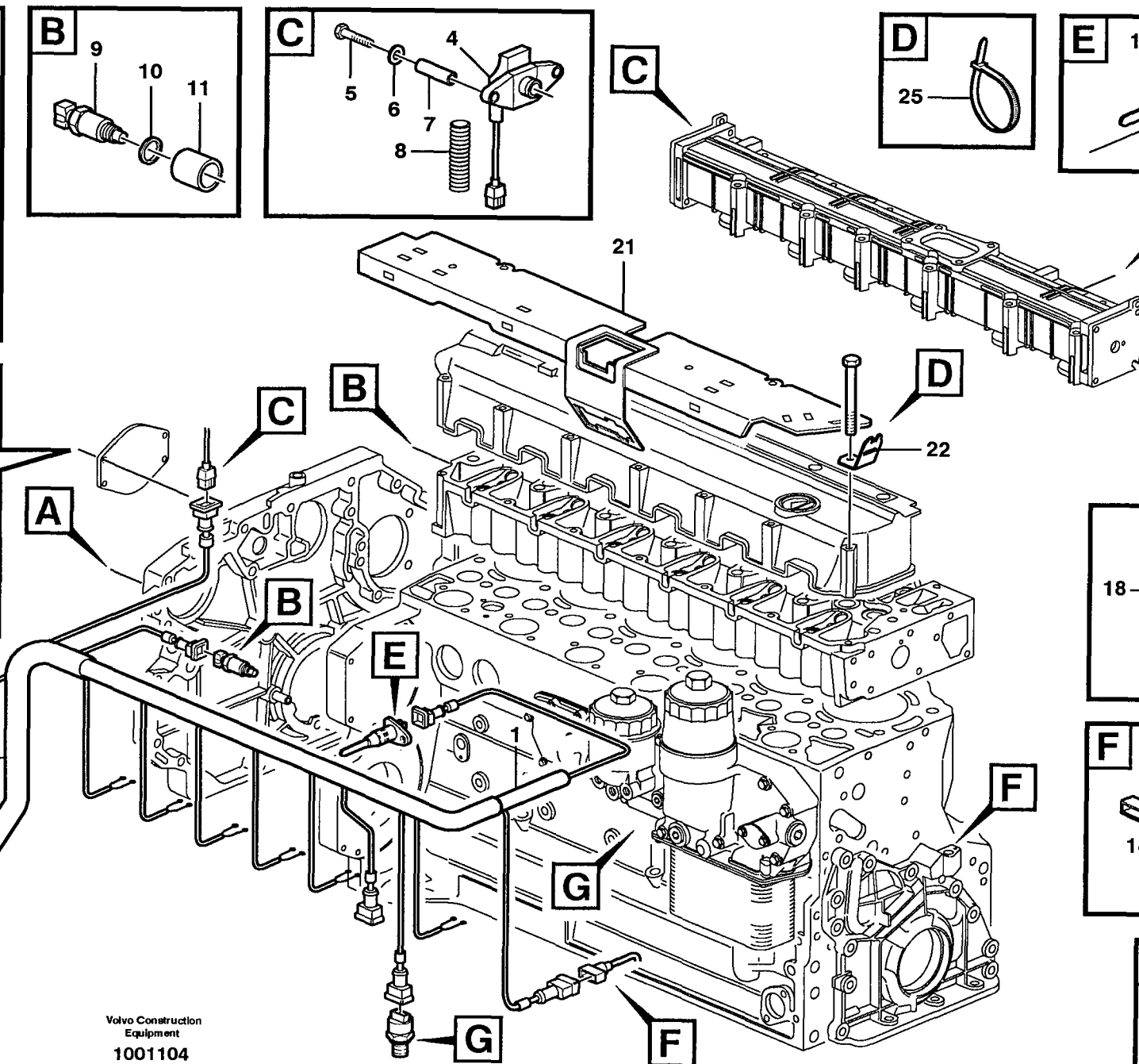
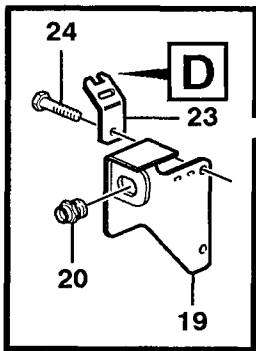
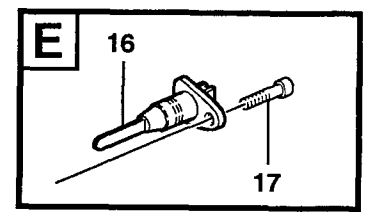
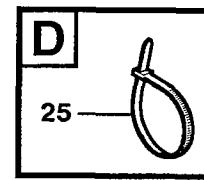
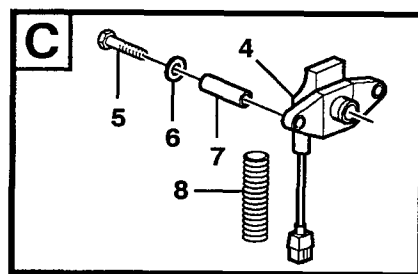
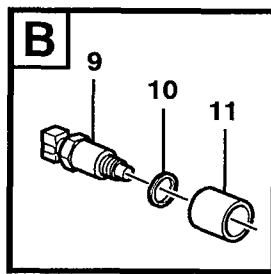
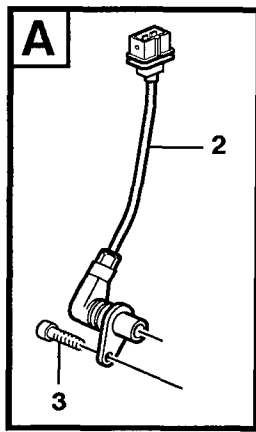


Fig.	Part No.	Quantity			P S	K T	Description	Dénomination	Bezeichnung	품명	Denominación	Notes
		1	2	3								
1	VOE 20459869	1					Cable Harness .....	Faisceau Cables .....	Kabelbaum .....	배선 .....	Manojo Cables.....	
2	VOE 20482772	1					Sensor.....	Capteur .....	Geber .....	센서 .....	Captador.....	
3	VOE 20459015	1					Screw .....	Vis .....	Schraube .....	스크류 .....	Tornillo.....	
4	VOE 20450693	1					Sensor.....	Capteur .....	Geber .....	센서 .....	Captador.....	
5	VOE 20459023	2					Screw .....	Vis .....	Schraube .....	스크류 .....	Tornillo.....	
6	VOE 20459183	2					Washer.....	Rondelle .....	Scheibe .....	와셔 .....	Arandela.....	
7		2			NS		Spacer.....	Entretoise .....	Abstandstueck .....	스페이서 .....	Casquillo distanciad...	
8		1			NS		Plastic Pipe .....	Tube Plastique .....	Kunststoffrohr .....	플라스틱 파이프 .....	Tubeo Plastico.....	
9	VOE 20450685	1					Sensor.....	Capteur .....	Geber .....	센서 .....	Captador.....	
10	VOE 13947621	1					Plane Gasket .....	Joint Plan .....	Plandichtung .....	평 가스켓 .....	Junta Plana.....	
11	VOE 20405788	1					Adapter .....	Raccord Reduct. ....	Verbind Stutzen .....	어댑터 .....	Adaptador.....	
12		1			NS		Sensor.....	Capteur .....	Geber .....	센서 .....	Captador.....	
13	VOE 13947621	1					Plane Gasket .....	Joint Plan .....	Plandichtung .....	평 가스켓 .....	Junta Plana.....	
14	VOE 20450707	1					Sensor.....	Capteur .....	Geber .....	센서 .....	Captador.....	
15	VOE 20450694	1					Screw .....	Vis .....	Schraube .....	스크류 .....	Tornillo.....	
16	VOE 20450695	1					Sensor.....	Capteur .....	Geber .....	센서 .....	Captador.....	
17	VOE 20450694	2					Screw .....	Vis .....	Schraube .....	스크류 .....	Tornillo.....	
18		1			NS		ECU .....	ECU .....	ECU .....	콘트롤러 .....	ECU.....	
19		1			NS		Bracket.....	Console .....	Konsole .....	브라켓 .....	Ménsula.....	
20	VOE 20459022	1					Nut .....	Ecrou .....	Mutter .....	너트 .....	Tuerca.....	
21		1			NS		Bracket.....	Console .....	Konsole .....	브라켓 .....	Ménsula.....	
22		1			NS		Bracket.....	Console .....	Konsole .....	브라켓 .....	Ménsula.....	
23		1			NS		Bracket.....	Console .....	Konsole .....	브라켓 .....	Ménsula.....	
24	VOE 20405898	1					Screw .....	Vis .....	Schraube .....	스크류 .....	Tornillo.....	
25	VOE 4881440	REQ					Strip Clamp .....	Ruban Serrage.....	Bandklammer .....	스트립 클램프 .....	Abraz Cinta.....	

1	8277784	<b>Haz de cables, motor</b> 케이블 및 엔진 배선 <b>Kabelbündel, Motor</b> <b>Faisceau de câbles, moteur</b> <b>Cable harness, engine</b>	Catalogue id	Group
2			56141	371
3			Illustr. No	Section
4			1001104	300
5			Issue	Page
			VOE 7414356141	165

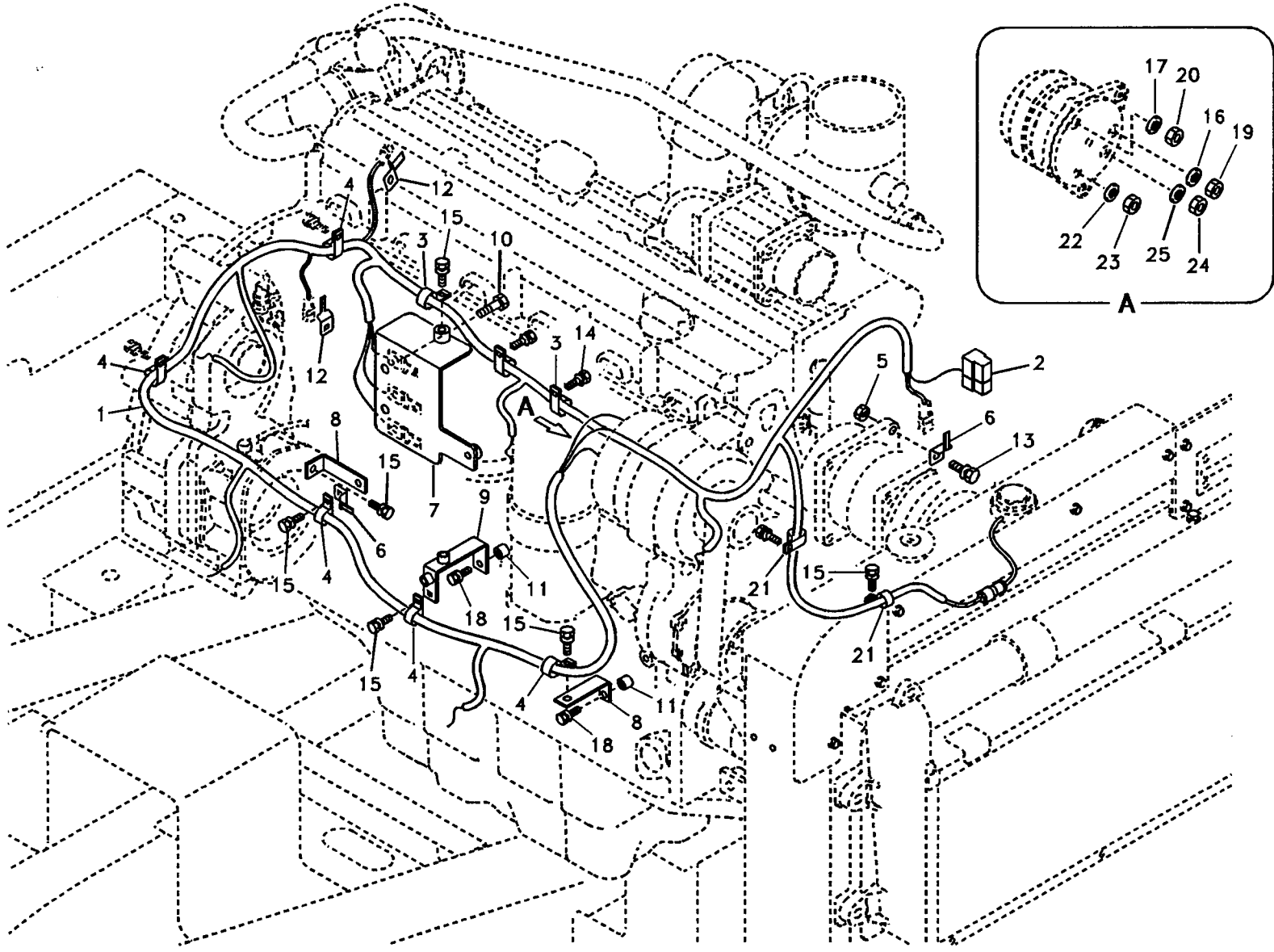
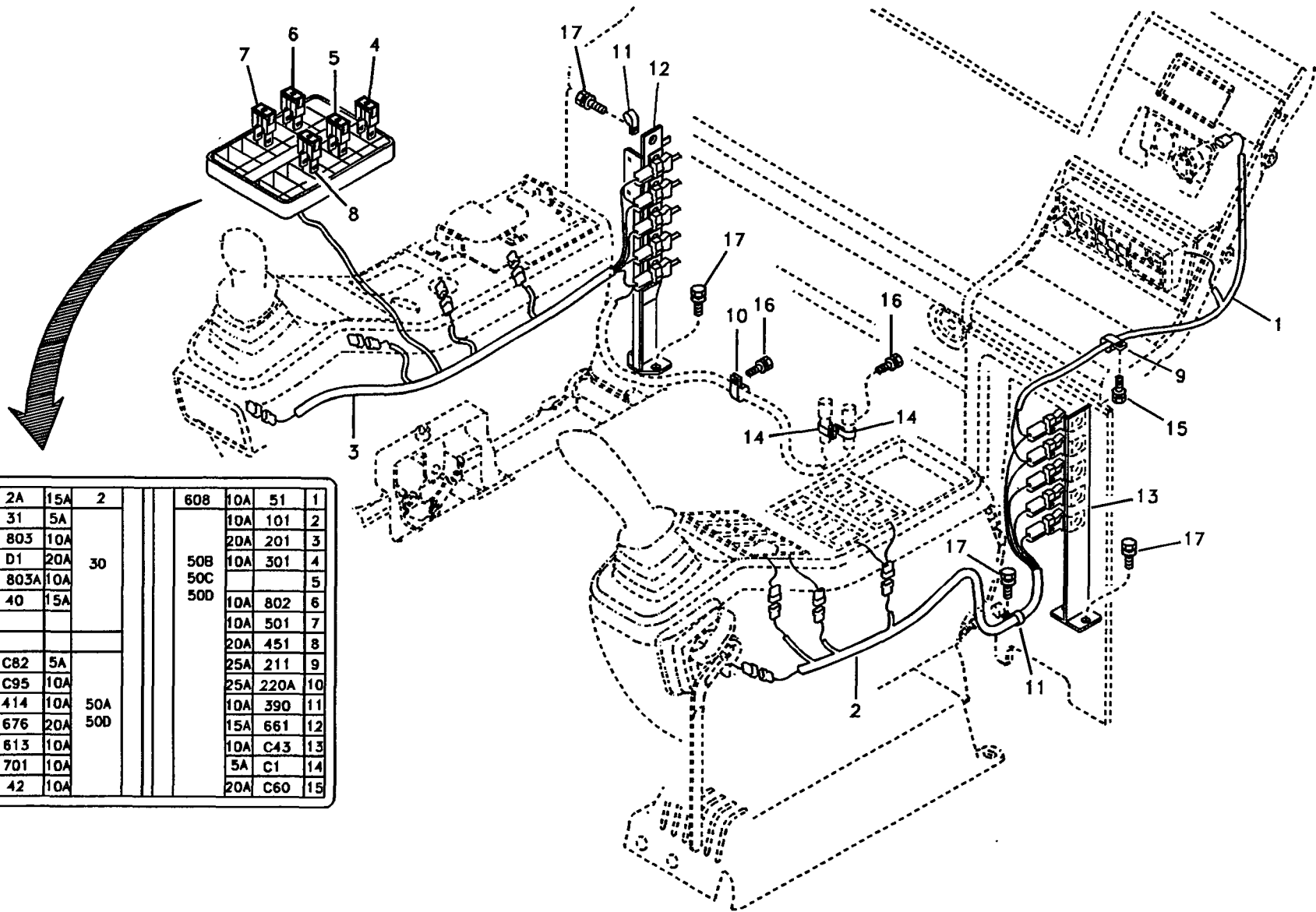


Fig.	Part No.	Quantity			P S	K I T	Description	Dénomination	Bezeichnung	품명	Denominación	Notes
		1	2	3								
1	VOE 14512671	1				Wire Harness .....	Faisceau électrique.....	Kabelbaum.....	배선 .....	Manojo Cables.....		
2	VOE 14500395	1				•Diode .....	•Diode .....	•Diode.....	• 다이오드.....	•Diodo.....	3A	
3	VOE 14500294	3				Clip.....	Clip.....	Klemme.....	클립.....	Clip.....		
4	VOE 14500295	5				Clip.....	Clip.....	Klemme.....	클립.....	Clip.....		
5	VOE 983304	1				Nut .....	Ecrou.....	Mutter .....	너트 .....	Tuerca.....		
6	VOE 14510011	2				Clip.....	Clip.....	Klemme.....	클립.....	Clip.....		
7	VOE 14510982	1				Bracket.....	Console.....	Konsole.....	브라켓.....	Ménsula.....		
8	VOE 14510983	2				Bracket.....	Console.....	Konsole.....	브라켓.....	Ménsula.....		
9	VOE 14510984	1				Bracket.....	Console.....	Konsole.....	브라켓.....	Ménsula.....		
10	SA 9041-11204	2				Bolt.....	Boulon.....	Bolzen.....	볼트.....	Perno.....		
11	SA 2025-03840	2				Spacer.....	Partie Interme.....	Zwischenstück.....	스페이서.....	Espaciador.....		
12	SA 9392-10130	2				Clip.....	Clip.....	Klemme.....	클립.....	Clip.....		
13	VOE 946329	1				Flange Screw.....	Vis A Bride.....	Flanschschraube.....	플랜지 스크류.....	Torn Embridado.....		
14	VOE 946440	2				Flange Screw.....	Vis A Bride.....	Flanschschraube.....	플랜지 스크류.....	Torn Embridado.....		
15	VOE 946471	6				Flange Screw.....	Vis A Bride.....	Flanschschraube.....	플랜지 스크류.....	Torn Embridado.....		
16	VOE 955892	1				Washer.....	Rondelle.....	Scheibe.....	와셔.....	Arandela.....		
17	VOE 955894	1				Washer.....	Rondelle.....	Scheibe.....	와셔.....	Arandela.....		
18	VOE 947760	2				Screw.....	Vis.....	Schraube.....	스크류.....	Tornillo.....		
19	VOE 983302	1				Nut .....	Ecrou.....	Mutter .....	너트.....	Tuerca.....		
20	VOE 983303	1				Nut .....	Ecrou.....	Mutter .....	너트.....	Tuerca.....		
21	VOE 14500290	2				Clip.....	Clip.....	Klemme.....	클립.....	Clip.....		
22	SA 9211-04000	1				Washer.....	Rondelle.....	Scheibe.....	와셔.....	Arandela.....		
23	SA 9111-10400	1				Nut .....	Ecrou.....	Mutter .....	너트.....	Tuerca.....		
24	SA 9111-10500	1				Nut .....	Ecrou.....	Mutter .....	너트.....	Tuerca.....		
25	VOE 940090	1				Washer.....	Rondelle.....	Scheibe.....	와셔.....	Arandela.....		

1	8277784	<b>Haz de cables, motor</b> 케이블 및 엔진 배선 <b>Kabelbündel, Motor</b> <b>Faisceau de câbles, moteur</b> <b>Cable harness, engine</b>	Catalogue id	Group
2			56141	371
3			Illustr. No	Section
4			TA130	400
5			Issue	Page
			VOE 7414356141	167





25A	16	2A	15A	2	30	608	10A	51	1
	17	31	5A				10A	101	2
	18	803	10A				20A	201	3
	19	D1	20A				10A	301	4
15A	20	803A	10A		50B			5	
	21	40	15A		50C				
10A	22				50D	10A	802	6	
	23					10A	501	7	
	24	C82	5A			20A	451	8	
5A	25	C95	10A			25A	211	9	
	26	414	10A	50A		25A	220A	10	
	27	676	20A	50D		10A	390	11	
	28	613	10A			15A	661	12	
	29	701	10A			10A	C43	13	
	30	42	10A			5A	C1	14	
						20A	C60	15	

Fig.	Part No.	Quantity			P S	K I T	Description	Dénomination	Bezeichnung	품명	Denominación	Notes
		1	2	3								
1	VOE 14501569	1				Wire Harness .....	Faisceau électrique.....	Kabelbaum.....	배선 .....	Manojo Cables.....		
2	VOE 14503756	1				Wire Harness .....	Faisceau électrique.....	Kabelbaum.....	배선 .....	Manojo Cables.....		
3	VOE 14503755	1				Wire Harness .....	Faisceau électrique.....	Kabelbaum.....	배선 .....	Manojo Cables.....		
4	VOE 969160	5				•Fuse.....	•Fusible .....	•Schmelzsicherg.....	•휴즈 .....	•Fusible.....	5A,Tan	
5	VOE 969161	13				•Fuse.....	•Fusible .....	•Schmelzsicherg.....	•휴즈 .....	•Fusible.....	10A,Red	
6	VOE 969162	9				•Fuse.....	•Fusible .....	•Schmelzsicherg.....	•휴즈 .....	•Fusible.....	15A,Light blue	
7	VOE 978999	4				•Fuse.....	•Fusible .....	•Schmelzsicherg.....	•휴즈 .....	•Fusible.....	20A,Yellow	
8	VOE 969164	2				•Fuse.....	•Fusible .....	•Schmelzsicherg.....	•휴즈 .....	•Fusible.....	30A,Violet	
9	VOE 14500294	1				Clip.....	Clip.....	Klemme.....	클립 .....	Clip.....		
10	VOE 14500293	1				Clip.....	Clip.....	Klemme.....	클립 .....	Clip.....		
11	VOE 14500295	2				Clip.....	Clip.....	Klemme.....	클립 .....	Clip.....		
12	VOE 14509874	1				Bracket.....	Console.....	Konsole.....	브라켓 .....	Ménsula.....		
13	VOE 14511553	1				Bracket.....	Console.....	Konsole.....	브라켓 .....	Ménsula.....		
14	SA 2022-02350	2				Clip.....	Clip.....	Klemme.....	클립 .....	Clip.....		
15	VOE 947107	1				Flange Screw .....	Vis A Bride .....	Flanschschraube .....	플랜지 스크류 .....	Torn Embridado.....		
16	VOE 946440	2				Flange Screw .....	Vis A Bride .....	Flanschschraube .....	플랜지 스크류 .....	Torn Embridado.....		
17	VOE 946441	6				Flange Screw .....	Vis A Bride .....	Flanschschraube .....	플랜지 스크류 .....	Torn Embridado.....		

1	8277784	<b>Haz de cables, panel de instrumentos</b> 계기판 배선 케이블 <b>Kabel und Leitungen, Armaturenbrett</b> <b>Câble et faisceau de câbles, tableau de bord</b> <b>Cable and wire harness, instrument panel</b>	Catalogue id	Group
2			56141	371
3			Illustr. No	Section
4			TA131	500
5			Issue	Page
			VOE 7414356141	169

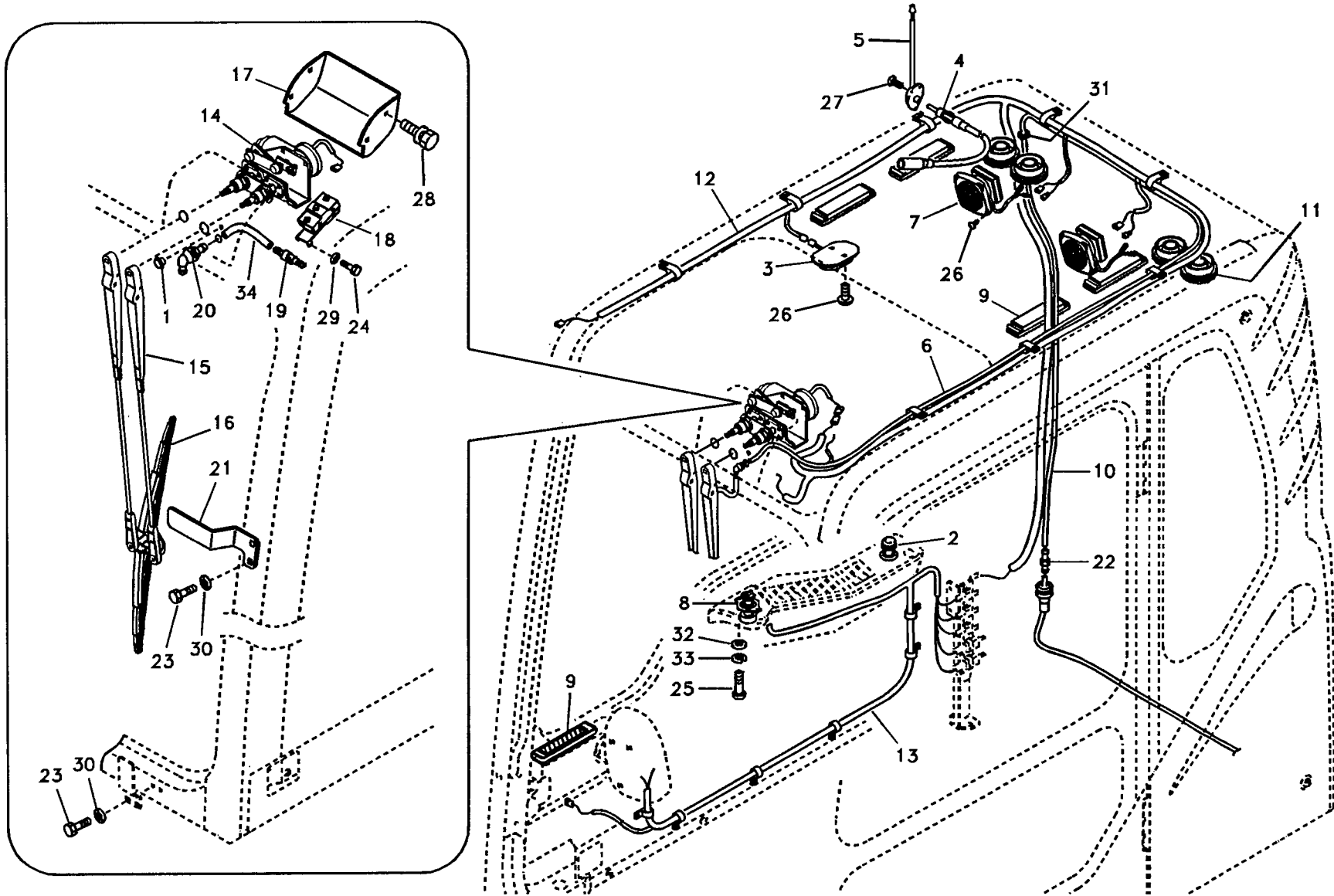


Fig.	Part No.	Quantity			P S	K I T	Description	Dénomination	Bezeichnung	품명	Denominación	Notes
		1	2	3								
1	SA 0941501008	1	1			Grommet.....	Passe fil .....	Durchführung.....	그로메트.....	Aislador pasapanel....		
2	SA 1023-04210	1	1			Cig Lighter.....	Allume cigare .....	Zig Anzünder .....	시가 라이터 .....	Encendfdr cigarro....		
3	SA 1122-01600	1	1			Lamp.....	Lampe.....	Leuchte .....	램프.....	Lampara.....		
	SA 1122-01690	2	2			•Bulb .....	•Ampoule.....	•Glühlampe.....	•전구.....	•Ampolla.....		
4	VOE 14515593	2	2			Cable.....	Cable.....	Seil.....	케이블 .....	Cable.....		
5	SA 1123-03010	1	1			Antenna.....	Antenne.....	Antenne.....	안테나 .....	Antena.....		
6	SA 9962-10583	1	1			Hose.....	Durit .....	Schlauch .....	호스 .....	Tubo flexible.....		
7	SA 1123-05180	2	2			Speaker.....	Haut-parleur .....	Lautsprecher .....	스피커 .....	Altavoz.....		
8	VOE 14503037	1	1			Selector.....	Selecteur.....	Wähler .....	전환기 .....	Selector.....		
9	VOE 14517615	5	5			Grille.....	Grille.....	Kühlergrill .....	그릴 .....	Calandra.....		
10	VOE 14505524	2	2			Hose.....	Durit .....	Schlauch .....	호스 .....	Tubo flexible.....		
11	VOE 14505525	4	4			Grille.....	Grille.....	Kühlergrill .....	그릴 .....	Calandra.....		
12	VOE 14505541	1	1			Wire Harness .....	Faisceau électrique .....	Kabelbaum.....	배선 .....	Manojo Cables.....		
13	VOE 14505542	1	1			Wire Harness .....	Faisceau électrique .....	Kabelbaum.....	배선 .....	Manojo Cables.....		
14	VOE 14508627	1	1			Wiper Motor .....	Moteur essuie glace .....	Wischermotor .....	와이퍼 모터 .....	Motor l.p.....		
15	VOE 14508628	1	1			Wiper Arm .....	Bras Essu.glac. ....	Wischerarm .....	와이퍼 암.....	Brazo Limpiapar.....		
16	VOE 14508629	1	1			Wiper Blade .....	Balai essuie glace .....	Wischerblatt .....	와이퍼 블레이드 .....	Escobilla l.p.....		
17	VOE 14508633	1	1			Cover .....	Capot .....	Haube .....	커버 .....	Capo.....		
18	VOE 14508635	1	1			Switch .....	Contacteur .....	Schalter.....	스위치 .....	Contacteur.....	Upper limit	
19	VOE 14508637	1	1			Check valve .....	Valve antiretour .....	Rückschlagventil .....	체크 밸브.....	Valvula retencion.....		
20	VOE 14508639	1	1			Elbow .....	Coude .....	Winkelstueck .....	엘보 .....	Codo.....		
21	VOE 14511546	1	1			Bracket.....	Console.....	Konsole .....	브라켓 .....	Ménsula.....		
22	SA 2023-02540	1	1			Connector .....	Raccord.....	Anschluss .....	커넥터 .....	Union.....		
23	VOE 965175	4	4			Screw .....	Vis .....	Schraube.....	스크류 .....	Tornillo.....		
24	SA 9021-10405	2	2			Screw .....	Vis .....	Schraube.....	스크류 .....	Tornillo.....		
25	VOE 969404	2	2			Screw .....	Vis .....	Schraube.....	스크류 .....	Tornillo.....		
26	VOE 969407	11	11			6-pt Skt Screw.....	Vis Creuse 6 De.....	6-zahn Hohlschr.....	6 포인트 소켓 스크류 .....	Racor 6-dientes.....		
27	SA 9025-04003	3	3			Screw .....	Vis .....	Schraube.....	스크류 .....	Tornillo.....		
28	SA 9042-10503	4	4			Bolt.....	Boulon.....	Bolzen.....	볼트 .....	Perno.....		
29	SA 9211-04000	2	2			Washer.....	Rondelle.....	Scheibe .....	와셔 .....	Arandela.....		

1	8277140	<b>Haz de cables, motor</b> 운전실 배선 케이블 <b>Kabelbündel, Kabine</b> <b>Faisceaux de câbles, cabine</b> <b>Cable harnesses, cab</b>	Catalogue id	Group
2	8277142		<b>56141</b>	<b>371</b>
3			Illustr. No	Section
4			<b>TA132</b>	<b>800</b>
5			Issue	Page
		<b>VOE 7414356141</b>	<b>171</b>	

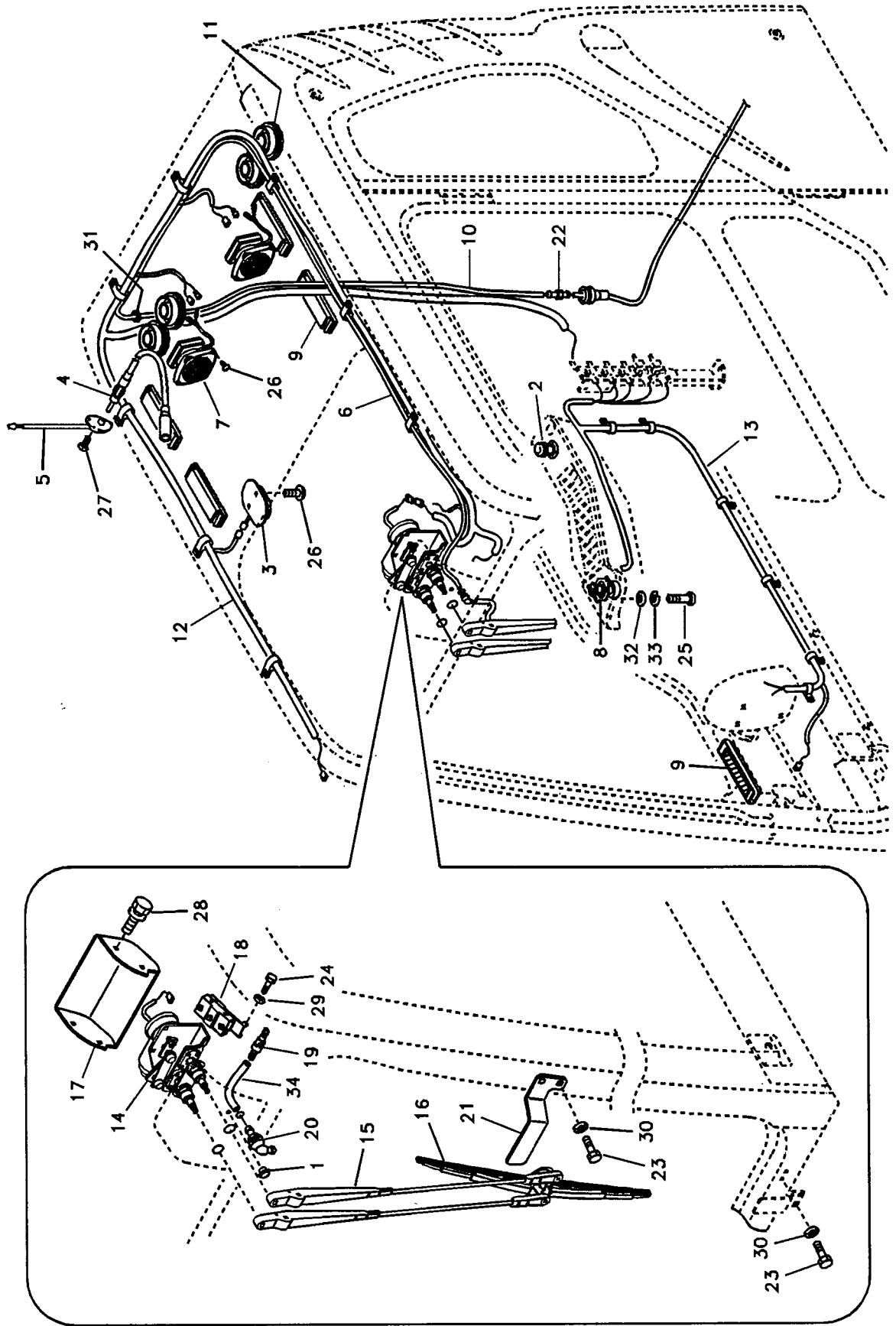


Fig.	Part No.	Quantity			P S	K I T	Description	Dénomination	Bezeichnung	품명	Denominación	Notes
		1	2	3								
30	VOE 955892	4	4			Washer.....	Rondelle.....	Scheibe .....	와셔 .....	Arandela.....		
31	SA 9312-10350	2	2			Clamp.....	Pince Serrage .....	Klemme .....	클램프 .....	Abrazadera.....		
32	VOE 940090	4	4			Washer.....	Rondelle.....	Scheibe .....	와셔 .....	Arandela.....		
33	VOE 955918	2	2			Spring Washer .....	Rondelle ressort.....	Federscheibe.....	스프링 와셔 .....	Arandela resorte.....		
34	SA 9962-10504	1	1			Hose.....	Durit .....	Schlauch .....	호스 .....	Tubo flexible.....		

1	8277140	<b>Haz de cables, motor</b> 운전실 배선 케이블 <b>Kabelbündel, Kabine</b> <b>Faisceaux de câbles, cabine</b> <b>Cable harnesses, cab</b>	Catalogue id	Group
2	8277142		<b>56141</b>	<b>371</b>
3			Illustr. No	Section
4			<b>TA132</b>	<b>800</b>
5			Issue	Page
			<b>VOE 7414356141</b>	<b>173</b>

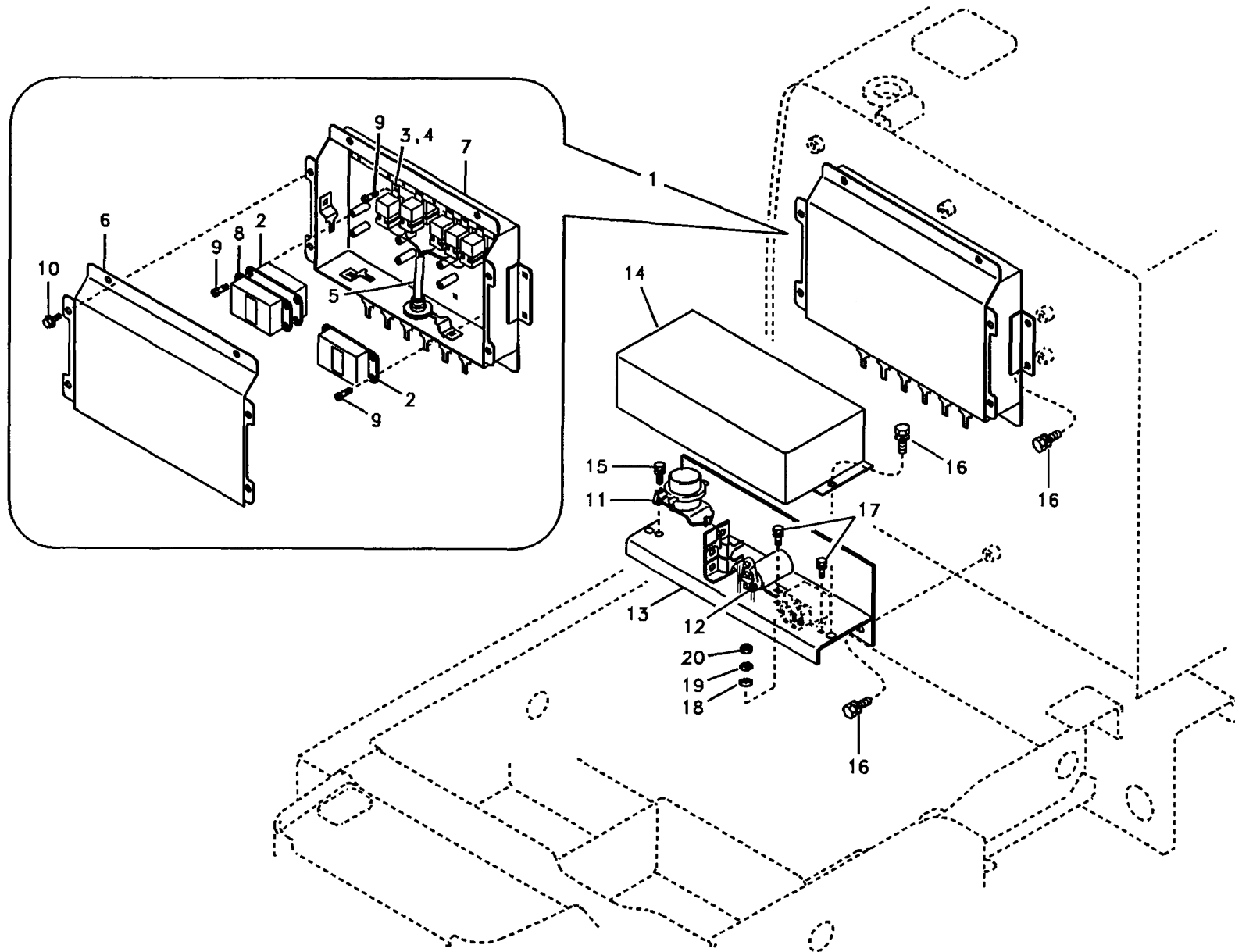


Fig.	Part No.	Quantity			P S	K I T	Description	Dénomination	Bezeichnung	품명	Denominación	Notes
		1	2	3								
1	VOE 14508645	1				Box.....	Boîte.....	Kasten.....	박스.....	Caja.....		
2	SA 1123-02341	2				•Converter.....	•Convertisseur.....	•Wandler.....	•컨버터.....	•Convertidor.....		
3	SA 1123-00290	9				•Relay.....	•Relais.....	•Relais.....	•릴레이.....	•Rele.....	Three piont	
4	SA 1123-01900	1				••Relay.....	••Relais.....	••Relais.....	• 릴레이.....	••Rele.....	Three piont	
5	VOE 14503757	1				•Wire Harness.....	•Faisceau électrique...	•Kabelbaum.....	•배선.....	•Manejo Cables.....		
6	VOE 14507573	1				•Cover.....	•Capot.....	•Haube.....	•커버.....	•Capo.....		
7	VOE 14507574	1				•Box.....	•Boîte.....	•Kasten.....	•박스.....	•Caja.....		
8	VOE 14508626	1				•Control.....	•Commande.....	•Regelung.....	•제어.....	•Mando.....		
9	SA 9037-10603	13				•Bolt.....	•Boulon.....	•Bolzen.....	•볼트.....	•Perno.....		
10	SA 9041-10803	6				•Bolt.....	•Boulon.....	•Bolzen.....	•볼트.....	•Perno.....		
11	SA 1021-00910	1				Relay.....	Relais.....	Relais.....	릴레이.....	Rele.....	Battery	
12	SA 1122-00220	1				Relay.....	Relais.....	Relais.....	릴레이.....	Rele.....	Safety	
13	VOE 14513930	1				Bracket.....	Console.....	Konsole.....	브라켓.....	Ménsula.....		
14	VOE 14513931	1				Cover.....	Capot.....	Haube.....	커버.....	Capo.....		
15	VOE 945444	2				Screw.....	Vis.....	Schraube.....	스크류.....	Tornillo.....		
16	VOE 946471	8				Flange Screw.....	Vis A Bride.....	Flanschschraube.....	플랜지 스크류.....	Torn Embridado.....		
17	VOE 946934	4				Screw.....	Vis.....	Schraube.....	스크류.....	Tornillo.....		
18	VOE 955892	2				Washer.....	Rondelle.....	Scheibe.....	와셔.....	Arandela.....		
19	VOE 955919	2				Spring Washer.....	Rondelle ressort.....	Federscheibe.....	스프링 와셔.....	Arandela resorte.....		
20	VOE 983302	2				Nut.....	Ecrou.....	Mutter.....	너트.....	Tuerca.....		

1	8277784	<b>Relé eléctrico</b> 전기장치 릴레이 <b>Elektrisches Relais</b> <b>Relais électrique</b> <b>Electrical relay</b>	Catalogue id	Group
2			<b>56141</b>	<b>372</b>
3			Illustr. No	Section
4			<b>TA133</b>	<b>200</b>
5			Issue	Page
			<b>VOE 7414356141</b>	<b>175</b>



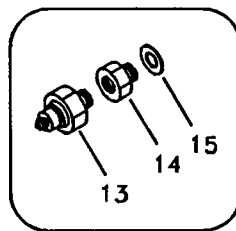
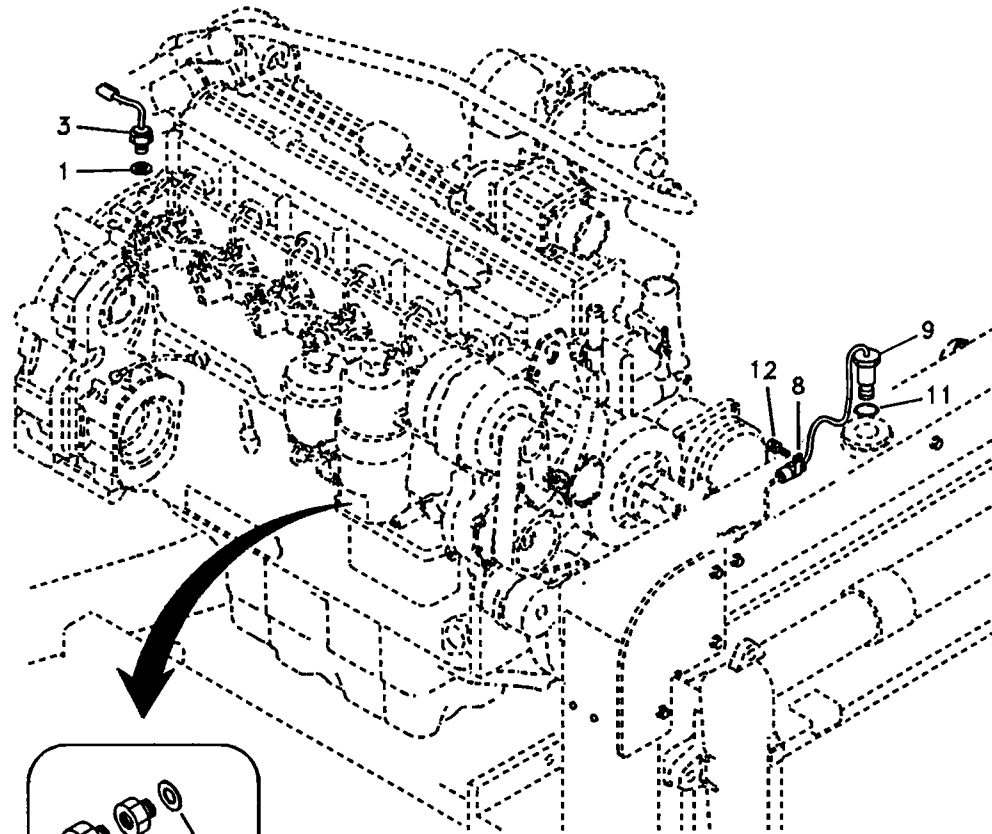
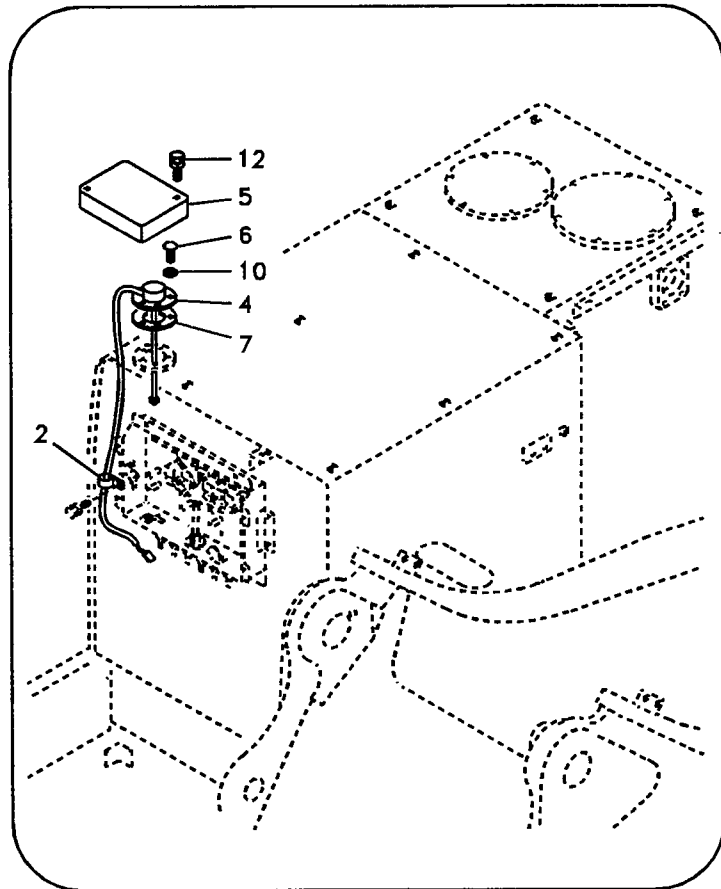


Fig.	Part No.	Quantity			P S	K I T	Description	Dénomination	Bezeichnung	품명	Denominación	Notes
		1	2	3								
1	SA 9426-20040	1				Gasket.....	Joint .....	Dichtung .....	가스켓 .....	Junta.....		
2	VOE 14500294	1				Clip.....	Clip.....	Klemme .....	클립 .....	Clip.....		
3	VOE 14505855	1				Sensor.....	Capteur .....	Geber .....	센서 .....	Captador.....	Temperature	
4	VOE 14508737	1				Transmitter.....	Transmetteur.....	Sender .....	센더 .....	Transmisor.....	Fuel	
5	VOE 14509322	1				Cover .....	Capot .....	Haube .....	커버 .....	Capo.....		
6	VOE 969407	5				6-pt Skt Screw.....	Vis Creuse 6 De.....	6-zahn Hohlschr.....	6 포인트 소켓 스크류	Racor 6-dientes.....		
7	SA 2022-00200	1				Gasket.....	Joint .....	Dichtung .....	가스켓 .....	Junta.....		
8	SA 2022-02350	1				Clip.....	Clip.....	Klemme .....	클립 .....	Clip.....		
9	SA 2022-04750	1				Sensor.....	Capteur .....	Geber .....	센서 .....	Captador.....	Water level	
10	VOE 955918	5				Spring Washer .....	Rondelle ressort.....	Federscheibe.....	스프링 와셔 .....	Arandela resorte.....		
11	SA 9512-02219	1				O-ring.....	Joint Torique .....	O-ring .....	오링 .....	Junta torica.....		
12	VOE 946471	3				Flange Screw .....	Vis A Bride .....	Flanschschraube .....	플랜지 스크류 .....	Torn Embridado.....		
13	SA 1022-05140	1				Switch .....	Contacteur .....	Schalter .....	스위치 .....	Contactador.....		
14	VOE 14517012	1				Connector .....	Raccord.....	Anschluss .....	커넥터 .....	Union.....		
15	SA 9426-20020	1				Gasket.....	Joint .....	Dichtung .....	가스켓 .....	Junta.....		

1	8277784	<b>Sensor electrico</b> 전기 장치 센서 <b>EL.Sensor</b> <b>Capteur électrique</b> <b>Electrical Sensor</b>	Catalogue id	Group
2			<b>56141</b>	<b>386</b>
3			Illustr. No	Section
4			<b>TA134</b>	<b>100</b>
5			Issue	Page
			<b>VOE 7414356141</b>	<b>177</b>

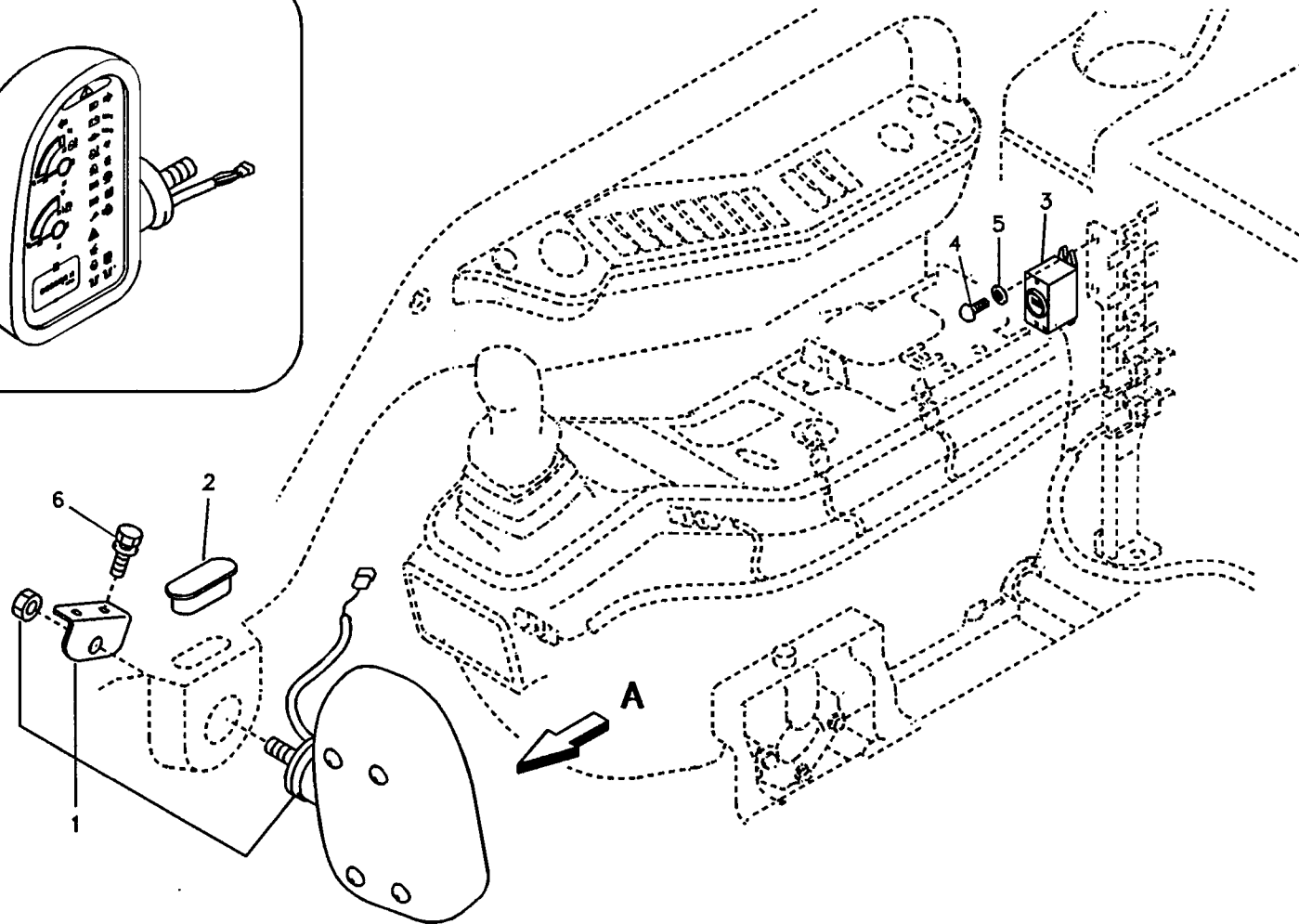
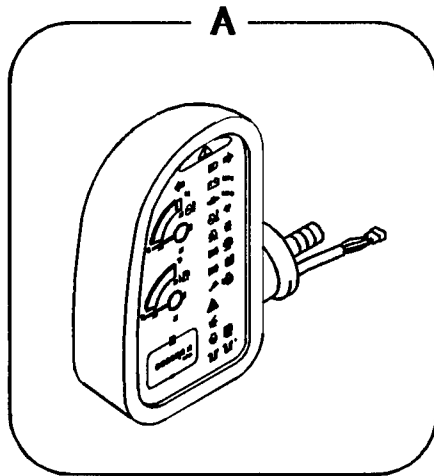


Fig.	Part No.	Quantity			P S	K I T	Description	Dénomination	Bezeichnung	품명	Denominación	Notes
		1	2	3								
1	VOE 14515555	1				Instr Panel.....	Planche Bord .....	Instr Tafel .....	계기판 .....	Panel Instrum.....		
	VOE 14515556	1				•Movement.....	•Mouvement.....	•Bewegung.....	• 무브먼트 .....	•Movimiento.....		
	VOE 14515483	1				•Hour counter.....	•Compteur horaire.....	•Stundenzähler .....	• 아워 미터 .....	•Contador horario.....		
	SA 9861-10100	29				•Bulb .....	•Ampoule.....	•Glühlampe.....	• 전구 .....	•Ampolla.....	24V,1.4W	
2	SA 1123-02580	1				Cap .....	Chapeau .....	Kappe .....	캡 .....	Caperuza.....		
3	SA 2023-03240	1				Buzzer.....	Repetit.acoust. ....	Summer .....	부저 .....	Zumbador.....	24V,25A Warning	
4	SA 9021-10402	2				Screw .....	Vis .....	Schraube .....	스크류 .....	Tornillo.....		
5	SA 9211-04000	2				Washer.....	Rondelle .....	Scheibe .....	와셔 .....	Arandela.....		
6	VOE 946440	2				Flange Screw .....	Vis A Bride .....	Flanschschraube .....	플랜지 스크류 .....	Torn Embridado.....		

1	8277784	<b>Panel de instrumentos, unidad de advertencia y unidad de informa</b> 경고장치 및 게이지 계기판 <b>Armaturenbrett, Warneinheit und Informations</b> <b>Tableau de bord, unités d'alerte et d'information</b> Instrument panel, warning unit and information unit	Catalogue id	Group
2			<b>56141</b>	<b>387</b>
3			Illustr. No	Section
4			<b>TA135</b>	<b>100</b>
5			Issue	Page
			<b>VOE 7414356141</b>	<b>179</b>

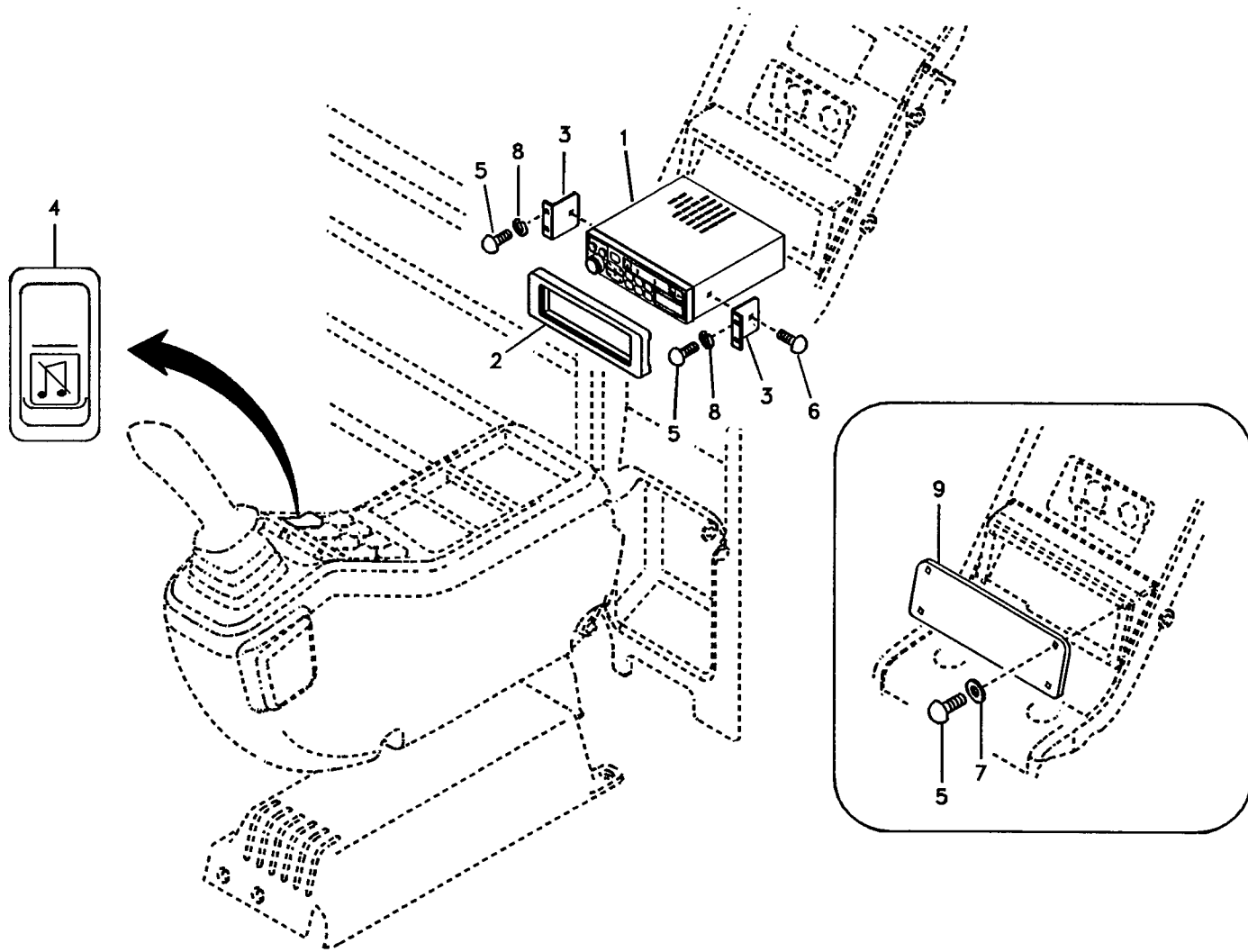


Fig.	Part No.	Quantity					P S	K I T	Description	Dénomination	Bezeichnung	품명	Denominación	Notes
		1	2	3	4	5								
1	SA 1123-04300	1						Cassette.....	Cassette .....	Kassette .....	카세트.....	Cassette.....	Korea	
	SA 1123-04310			1				Cassette.....	Cassette .....	Kassette .....	카세트.....	Cassette.....	USA	
	SA 1123-04320				1			Cassette.....	Cassette .....	Kassette .....	카세트.....	Cassette.....	Europe	
2	SA 1123-04330		1	1	1			Cover .....	Capot.....	Haube .....	커버 .....	Capo.....		
3	SA 1123-04340		2	2	2			Bracket.....	Ferrure-support .....	Tragstutse .....	브라켓.....	Hierro Apoyo.....		
4	SA 1123-05390		1	1	1			Switch .....	Contacteur.....	Schalter .....	스위치.....	Contacto.....		
5	SA 9021-10403	4	4	4	4			Screw.....	Vis .....	Schraube .....	스크류.....	Tornillo.....		
6	SA 9027-10401		2	2	2			Screw.....	Vis .....	Schraube .....	스크류.....	Tornillo.....		
7	SA 9211-04000	4						Washer .....	Rondelle .....	Scheibe .....	와셔.....	Arandela.....		
8	SA 9213-04000		4	4	4			Washer .....	Rondelle .....	Scheibe .....	와셔.....	Arandela.....		
9	SA 1123-03780	1						Cover .....	Capot.....	Haube .....	커버.....	Capo.....		

1	8277155	<b>Radiocasete con accesorios de montaje</b> 카세트 라디오 <b>Kassettenrecorder mit Montageteilen</b> <b>Lecteur de cassettes auto-radio avec pièces de montage</b> <b>Cassette radio recorder with mounting details</b>	Catalogue id	Group
2	8277156		<b>56141</b>	<b>393</b>
3	8277157		Illustr. No	Section
4	8277158		<b>TA136</b>	<b>100</b>
5			Issue	Page
		<b>VOE 7414356141</b>	<b>181</b>	

**VOLVO**

**Volvo Construction  
Equipment**

GROUP		Section	Page	GROUP	Section	Page
431	Travel gearbox .....	100	189			
431	Swing gearbox .....	300	193			
431	Pump gearbox with assembling parts .....	400	197			
441	Travel motor with mounting parts.....	100	199			
441	Travel motor .....	200	201			
441	Swing motor with mounting parts .....	500	207			
441	Swing motor .....	600	209			
443	Turning joint .....	200	213			
492	Swing system.....	100	215			

INDEX OF CONTENTS	Catalogue id <b>56141</b>	Group <b>400</b>
	Issue <b>VOE 7414356141</b>	Page <b>183</b>



## TABLE DES MATIÈRES

Catalogue id <b>56141</b>	Group <b>400</b>
Issue <b>VOE 7414356141</b>	Page <b>184</b>

GROUPE	Section	Page	GROUPE	Section	Page
431	Boîte de vitesses de conduite .....	100			189
431	Boîte de vitesses de pivotement .....	300			193
431	Boîte de vitesses de la pompe avec pièces d'assemblage .....	400			197
441	Moteur de conduite avec pièces de montage .....	100			199
441	Moteur de conduite .....	200			201
441	Moteur d'orientation avec pièces de montage .....	500			207
441	Moteur d'orientation .....	600			209
443	Articulation de rotation .....	200			213
492	Système de pivotement .....	100			215

GRUPPE	Abschnitt	Seite	GRUPPE	Abschnitt	Seite
431	Fahrgetriebe.....	100			189
431	Schwenkgetriebe .....	300			193
431	Pumpengetriebe mit Anbauteilen.....	400			197
441	Fahrmotor mit Montageteilen .....	100			199
441	Fahrmotor .....	200			201
441	Schwenkmotor mit Anbauteilen .....	500			207
441	Schwenkmotor .....	600			209
443	Drehgelenk.....	200			213
492	Schwenksystem .....	100			215

<b>INHALTSVERZEICHNIS</b>	Catalogue id <b>56141</b>	Group <b>400</b>
	Issue <b>VOE 7414356141</b>	Page <b>185</b>

목차		Catalogue id <b>56141</b>	Group <b>400</b>
		Issue <b>VOE 7414356141</b>	Page <b>186</b>
그룹	소분류 쪽번호	그룹	소분류 쪽번호

431	트랙 기어박스 .....	100	189
431	선회 기어 박스 .....	300	193
431	펌프 기어박스 및 커플링 .....	400	197
441	주행모터 및 장착 부품 .....	100	199
441	주행모터 .....	200	201
441	선회 모터 및 장착 부품 .....	500	207
441	선회 모터 .....	600	209
443	터닝조인트 .....	200	213
492	선회 장치 .....	100	215

GRUPO		Sección	Página	GRUPO		Sección	Página
431	Caja de cambios de traslación.....	100	189				
431	Caja de engranaje de giro.....	300	193				
431	Caja de engranaje de bomba con piezas de montaje.....	400	197				
441	Motor de traslación con piezas de montaje .....	100	199				
441	Motor de traslación .....	200	201				
441	Motor de giro con piezas de montaje.....	500	207				
441	Motor de giro.....	600	209				
443	Articulación de giro .....	200	213				
492	Sistema de oscilación .....	100	215				

INDICE

Catalogue id	Group
<b>56141</b>	<b>400</b>
Issue	Page
<b>VOE 7414356141</b>	<b>187</b>

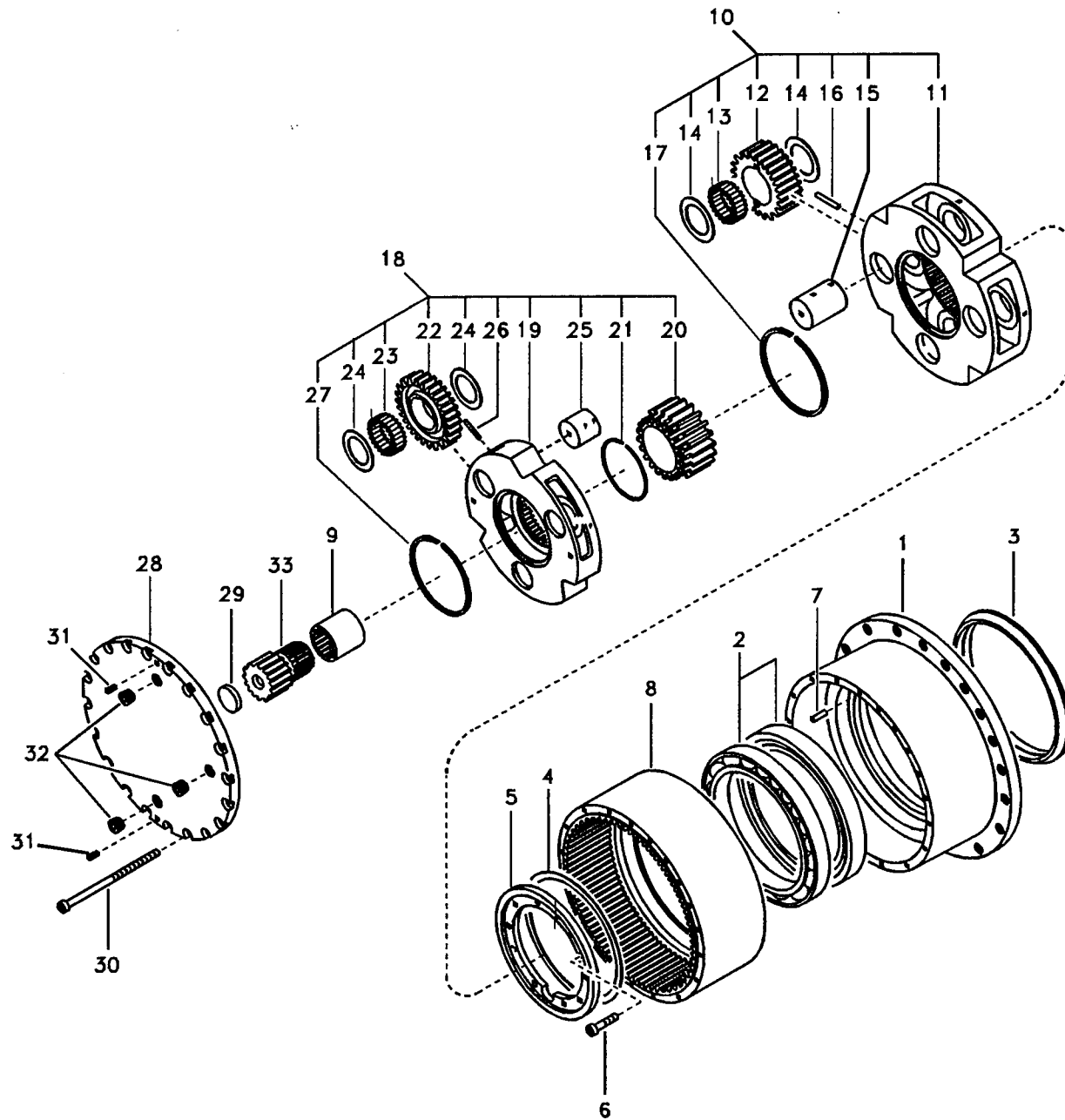


Fig.	Part No.	Quantity			P S	K I T	Description	Dénomination	Bezeichnung	품명	Denominación	Notes
		1	2	3								
		1			NS	Gearbox .....	Boite vitesses .....	Schaltgetriebe .....	기어박스 .....	Caja velocidades .....		
1	SA 7117-30100	1				•Housing .....	•Carter .....	•Gehäuse .....	•하우징 .....	•Carter .....		
2	SA 7117-30110	2				•Bearing .....	•Palier .....	•Lager .....	•베어링 .....	•Cojinete .....		
3	SA 7117-30120	1				•Seal .....	•Joint .....	•Dichtring .....	•시일 .....	•Junta .....		
4	SA 7117-30140	1				•Shim .....	•Rondelle ajustement .....	•Passscheibe .....	•심 .....	•Arandela Ajuste .....	0,1 Thick	
	SA 7117-30150	1				•Shim .....	•Rondelle ajustement .....	•Passscheibe .....	•심 .....	•Arandela Ajuste .....	0,9 Thick	
	SA 7117-30160	1				•Shim .....	•Rondelle ajustement .....	•Passscheibe .....	•심 .....	•Arandela Ajuste .....	1,0 Thick	
	SA 7117-30170	1				•Shim .....	•Rondelle ajustement .....	•Passscheibe .....	•심 .....	•Arandela Ajuste .....	1,2 Thick	
5	SA 7117-30130	1				•Retainer .....	•Retenue .....	•Halte .....	•리테이너 .....	•Soporte .....		
6	VOE 978932	12				•Screw .....	•Vis .....	•Schraube .....	•스크류 .....	•Tornillo .....		
7	SA 9324-21212	2				•Pin .....	•Goupille .....	•Zapfen .....	•핀 .....	•Pasador .....		
8	SA 7117-30190	1				•Gear .....	•Pignon .....	•Zahnradgetriebe .....	•기어 .....	•Engranaje .....		
9	SA 7117-30180	1				•Clutch .....	•Embrayage .....	•Kupplung .....	•클러치 .....	•Embrague .....		
10	SA 7117-30200	1				•Carrier .....	•Support .....	•Träger .....	•캐리어 .....	•Soporte .....		
11		1			NS	•Carrier .....	•Support .....	•Träger .....	•캐리어 .....	•Soporte .....		
12		4			NS	•Planetary Gear .....	•Train Planetai .....	•Planet Getr .....	•유성 기어 .....	•Planetario .....		
13	SA 7117-30230	8				•Needle Bearing .....	•Roule.aiguilles .....	•Nadellager .....	•니들 베어링 .....	•Cojinete Agujas .....		
14	SA 7117-30220	8				•Washer .....	•Rondelle .....	•Scheibe .....	•와셔 .....	•Arandela .....		
15	SA 7117-30250	4				•Pin .....	•Goupille .....	•Zapfen .....	•핀 .....	•Pasador .....		
16	SA 9325-06012	4				•Spring Pin .....	•Boulon de ressort .....	•Federstift .....	•스프링 핀 .....	•Pasador Resorte .....		
17	SA 7117-30260	1				•Ring .....	•Anneau .....	•Ring .....	•링 .....	•Anillo .....		
18	SA 7117-30270	1				•Carrier .....	•Support .....	•Träger .....	•캐리어 .....	•Soporte .....		
19		1			NS	•Carrier .....	•Support .....	•Träger .....	•캐리어 .....	•Soporte .....		
20	SA 7117-30290	1				•Gear .....	•Pignon .....	•Zahnradgetriebe .....	•기어 .....	•Engranaje .....		
21	SA 7117-30300	1				•Ring .....	•Anneau .....	•Ring .....	•링 .....	•Anillo .....		
22		3			NS	•Planetary Gear .....	•Train Planetai .....	•Planet Getr .....	•유성 기어 .....	•Planetario .....		
23	SA 7117-30320	3				•Needle Bearing .....	•Roule.aiguilles .....	•Nadellager .....	•니들 베어링 .....	•Cojinete Agujas .....		
24	SA 7117-30310	6				•Washer .....	•Rondelle .....	•Scheibe .....	•와셔 .....	•Arandela .....		
25	SA 7117-30360	3				•Pin .....	•Goupille .....	•Zapfen .....	•핀 .....	•Pasador .....		
26	SA 9325-04010	3				•Spring Pin .....	•Boulon de ressort .....	•Federstift .....	•스프링 핀 .....	•Pasador Resorte .....		

1	8277784	<b>Caja de cambios de traslación</b> <b>트랙 기어박스</b> <b>Fahrgetriebe</b> <b>Boîte de vitesses de conduite</b> <b>Travel gearbox</b>	Catalogue id	Group
2			<b>56141</b>	<b>431</b>
3			Illustr. No	Section
4			<b>TA137</b>	<b>100</b>
5			Issue	Page
			<b>VOE 7414356141</b>	<b>189</b>

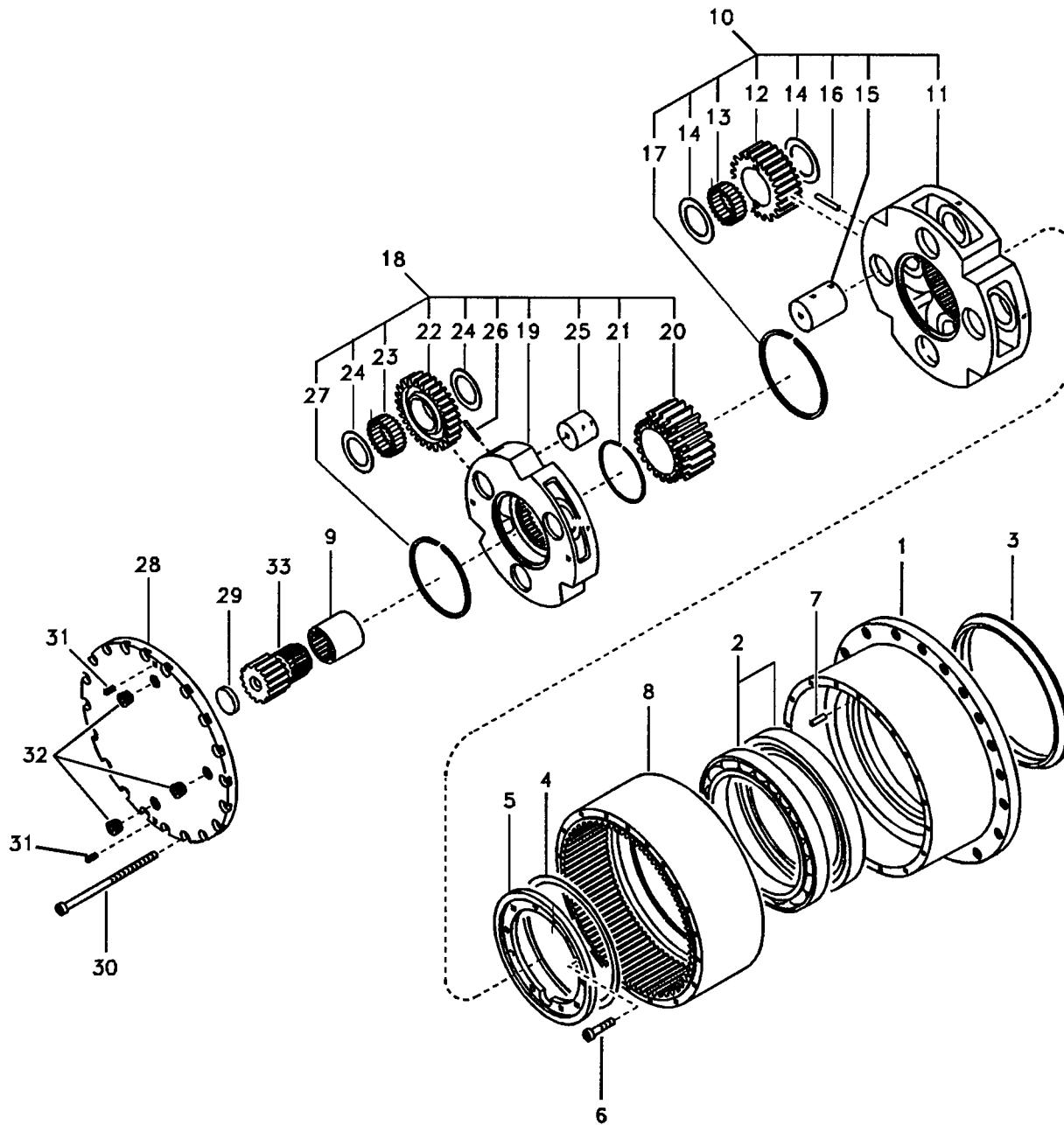


Fig.	Part No.	Quantity			P S	K T	Description	Dénomination	Bezeichnung	품명	Denominación	Notes
		1	2	3								
27	SA 7117-30260	1				•Ring .....	•Anneau .....	•Ring .....	•링 .....	•Anillo.....		
28	SA 7117-30350	1				•Cover .....	•Capot .....	•Haube .....	•커버 .....	•Capo.....		
29	SA 7117-15230	1				•Pad .....	•Patin.....	•Belag.....	•패드 .....	•Pastilla.....		
30	SA 7117-30370	20				•Bolt .....	•Boulon.....	•Bolzen.....	•볼트 .....	•Perno.....		
31	SA 9023-11004	2				•Set Screw .....	•Vis Butee .....	•Anschlagschraub .....	•세트 스크류 .....	•Tornillo Tope.....		
32	SA 9415-43042	3				•Plug .....	•Bouchon.....	•Stopfen .....	•플러그 .....	•Tapon.....		
33	SA 7117-30330	1				•Gear.....	•Pignon.....	•Zahnradgetriebe.....	•기어 .....	•Engranaje.....		

1	8277784	<b>Caja de cambios de traslación</b> <b>트랙 기어박스</b> <b>Fahrgetriebe</b> <b>Boîte de vitesses de conduite</b> <b>Travel gearbox</b>	Catalogue id	Group
2			<b>56141</b>	<b>431</b>
3			Illustr. No	Section
4			<b>TA137</b>	<b>100</b>
5			Issue	Page
			<b>VOE 7414356141</b>	<b>191</b>

**VOLVO**

**EC210B**



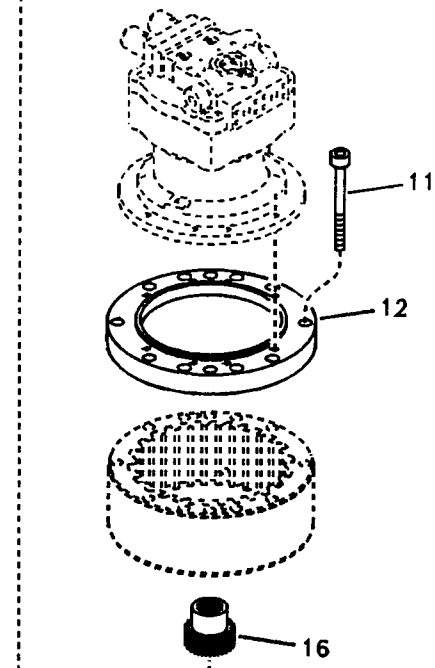
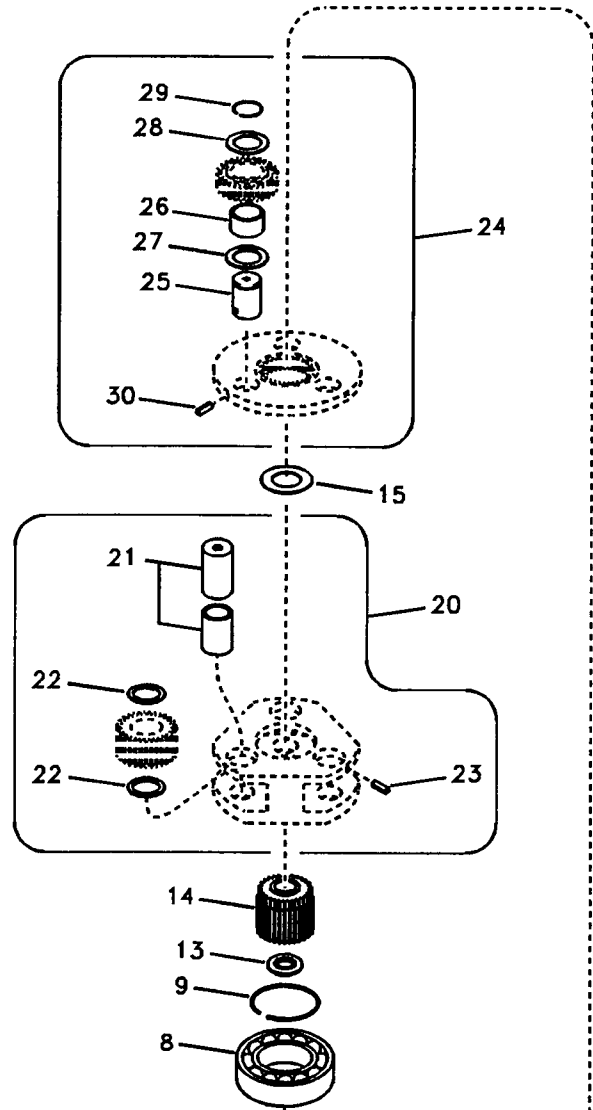
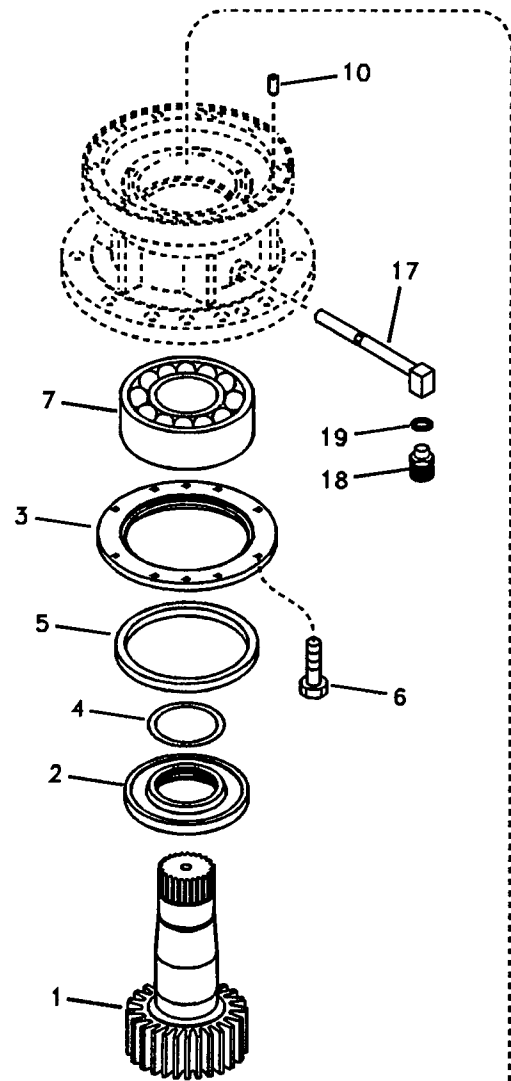


Fig.	Part No.	Quantity			P S	K I T	Description	Dénomination	Bezeichnung	품명	Denominación	Notes
		1	2	3								
	VOE 14516445	1				Gearbox .....	Boîte vitesses .....	Schaltgetriebe .....	기어박스 .....	Caja velocidades .....		
1	SA 7118-30300	1				•Shaft .....	•Levier Main .....	•Handstockhebel .....	• 샤프트 .....	•Palanca .....		
2	VOE 14509280	1				•Collar .....	•Col .....	•Bördel .....	• 칼러 .....	•Collar .....		
3	VOE 14509281	1				•Cover .....	•Capot .....	•Haube .....	• 커버 .....	•Capo .....		
4	SA 9511-22100	1				•O-ring .....	•Joint Torique .....	•O-ring .....	• 오링 .....	•Junta torica .....		
5	VOE 14508911	1				•Seal .....	•Plomb .....	•Plombe .....	• 시일 .....	•Plomo .....		
6	SA 9011-11007	10				•Bolt .....	•Boulon .....	•Bolzen .....	• 볼트 .....	•Perno .....		
7	SA 7118-01740	1				•Bearing .....	•Palier .....	•Lager .....	• 베어링 .....	•Cojinete .....		
8	SA 7118-00040	1				•Bearing .....	•Palier .....	•Lager .....	• 베어링 .....	•Cojinete .....		
9	SA 9541-01090	1				•Ring .....	•Anneau .....	•Ring .....	• 링 .....	•Anillo .....		
10	SA 9324-21617	4				•Pin .....	•Goupille .....	•Zapfen .....	• 핀 .....	•Pasador .....		
11	SA 9016-21625	12				•Bolt .....	•Boulon .....	•Bolzen .....	• 볼트 .....	•Perno .....		
12	SA 7118-30370	1				•Plate .....	•Plaque .....	•Platte .....	• 플레이트 .....	•Placa .....		
13	SA 7118-30380	1				•Ring .....	•Anneau .....	•Ring .....	• 링 .....	•Anillo .....		
14	SA 7118-30390	1				•Gear .....	•Pignon .....	•Zahnradgetriebe .....	• 기어 .....	•Engranaje .....		
15	SA 7118-30480	1				•Washer .....	•Rondelle .....	•Scheibe .....	• 와셔 .....	•Arandela .....		
16	SA 7118-30490	1				•Gear .....	•Pignon .....	•Zahnradgetriebe .....	• 기어 .....	•Engranaje .....		
17	VOE 14514384	1				•Pipe .....	•Canalisation .....	•Rohrleitung .....	• 파이프 .....	•Canalización .....		
18	SA 1012-01500	1				•Valve .....	•Soupape .....	•Ventil .....	• 밸브 .....	•Valvula .....		
19	SA 9426-20090	1				•Gasket .....	•Joint .....	•Dichtung .....	• 가스켓 .....	•Junta .....		
20	SA 7118-30200	1				•Carrier .....	•Support .....	•Träger .....	• 캐리어 .....	•Soporte .....	No.2	
21	SA 7118-30230	3				•Pin .....	•Goupille .....	•Zapfen .....	• 핀 .....	•Pasador .....		
22	SA 7118-30260	6				•Washer .....	•Rondelle .....	•Scheibe .....	• 와셔 .....	•Arandela .....		
23	SA 9325-08010	3				•Spring Pin .....	•Boulon de ressort .....	•Federstift .....	• 스프링 핀 .....	•Pasador Resorte .....		
24	SA 7118-30400	1				•Carrier .....	•Support .....	•Träger .....	• 캐리어 .....	•Soporte .....	No.1	
25	SA 7118-30430	3				•Pin .....	•Goupille .....	•Zapfen .....	• 핀 .....	•Pasador .....		
26	SA 7118-30440	3				•Needle Bearing .....	•Roule.aiguilles .....	•Nadellager .....	• 니들 베어링 .....	•Cojinete Agujas .....		
27	SA 7118-30450	3				•Washer .....	•Rondelle .....	•Scheibe .....	• 와셔 .....	•Arandela .....		
28	SA 7118-30460	3				•Washer .....	•Rondelle .....	•Scheibe .....	• 와셔 .....	•Arandela .....		
29	SA 9541-01042	3				•Ring .....	•Anneau .....	•Ring .....	• 링 .....	•Anillo .....		

1	8277784	<b>Caja de engranaje de giro</b> 선회 기어 박스 <b>Schwenkgetriebe</b> <b>Boîte de vitesses de pivotement</b> <b>Swing gearbox</b>	Catalogue id	Group
2			<b>56141</b>	<b>431</b>
3			Illustr. No	Section
4			<b>TA138</b>	<b>300</b>
5			Issue	Page
			<b>VOE 7414356141</b>	<b>193</b>

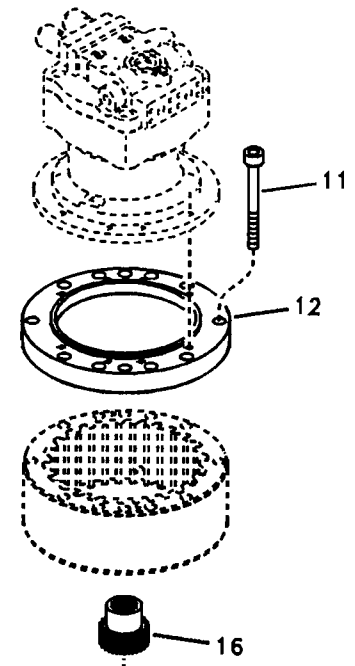
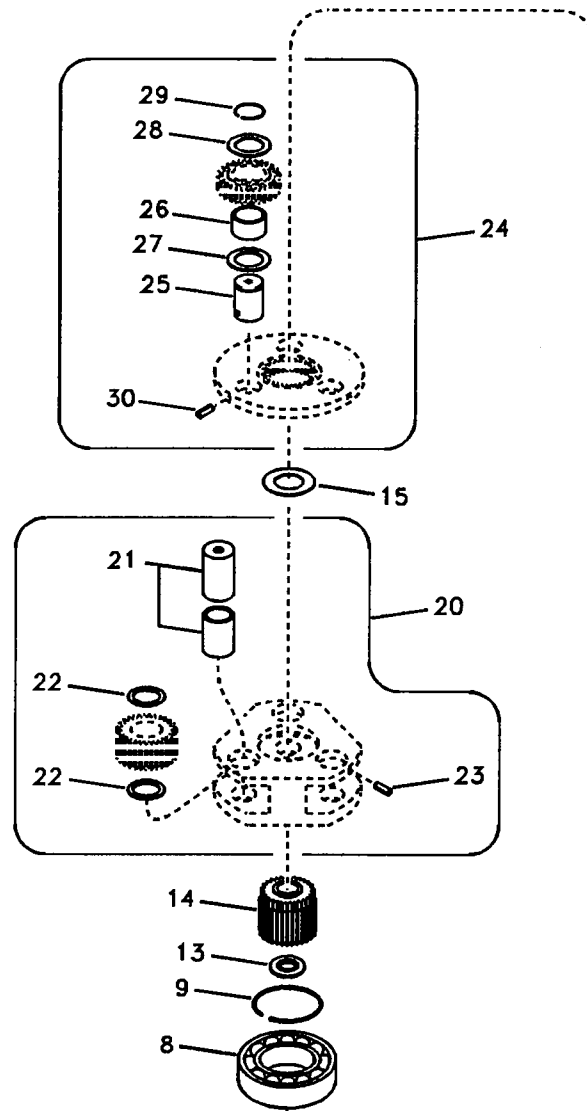
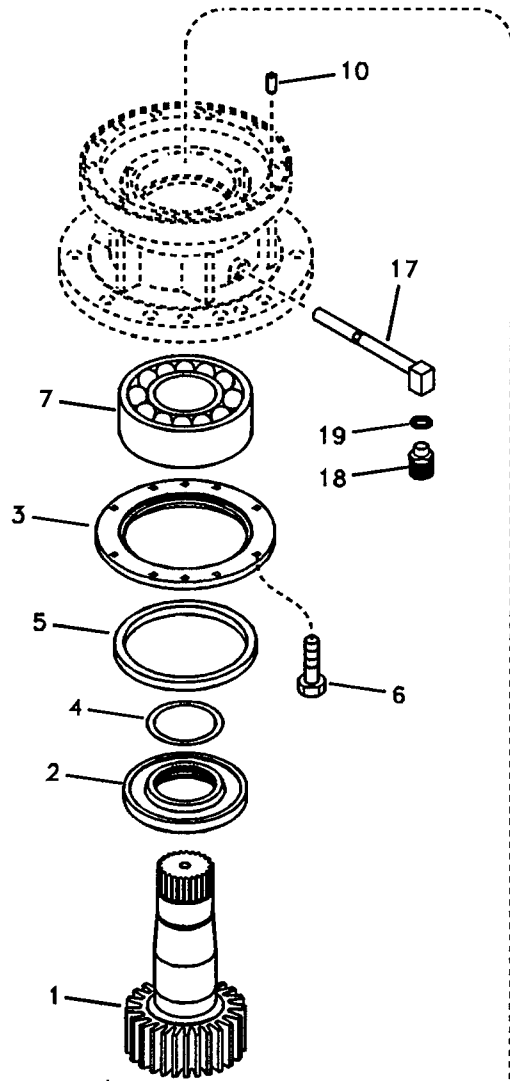


Fig.	Part No.	Quantity			P S	K I T	Description	Dénomination	Bezeichnung	품명	Denominación	Notes
		1	2	3								

30 SA 9325-08010 3      \*\*Spring Pin..... \*\*Boulon de ressort ....\*\*Federstift.....\*\* 스프링 핀 .....\*\*Pasador Resorte.....

1	8277784	<b>Caja de engranaje de giro</b> 선회 기어 박스 <b>Schwenkgetriebe</b> <b>Boîte de vitesses de pivotement</b> <b>Swing gearbox</b>	Catalogue id	Group
2			<b>56141</b>	<b>431</b>
3			Illustr. No	Section
4			<b>TA138</b>	<b>300</b>
5			Issue	Page
			<b>VOE 7414356141</b>	<b>195</b>

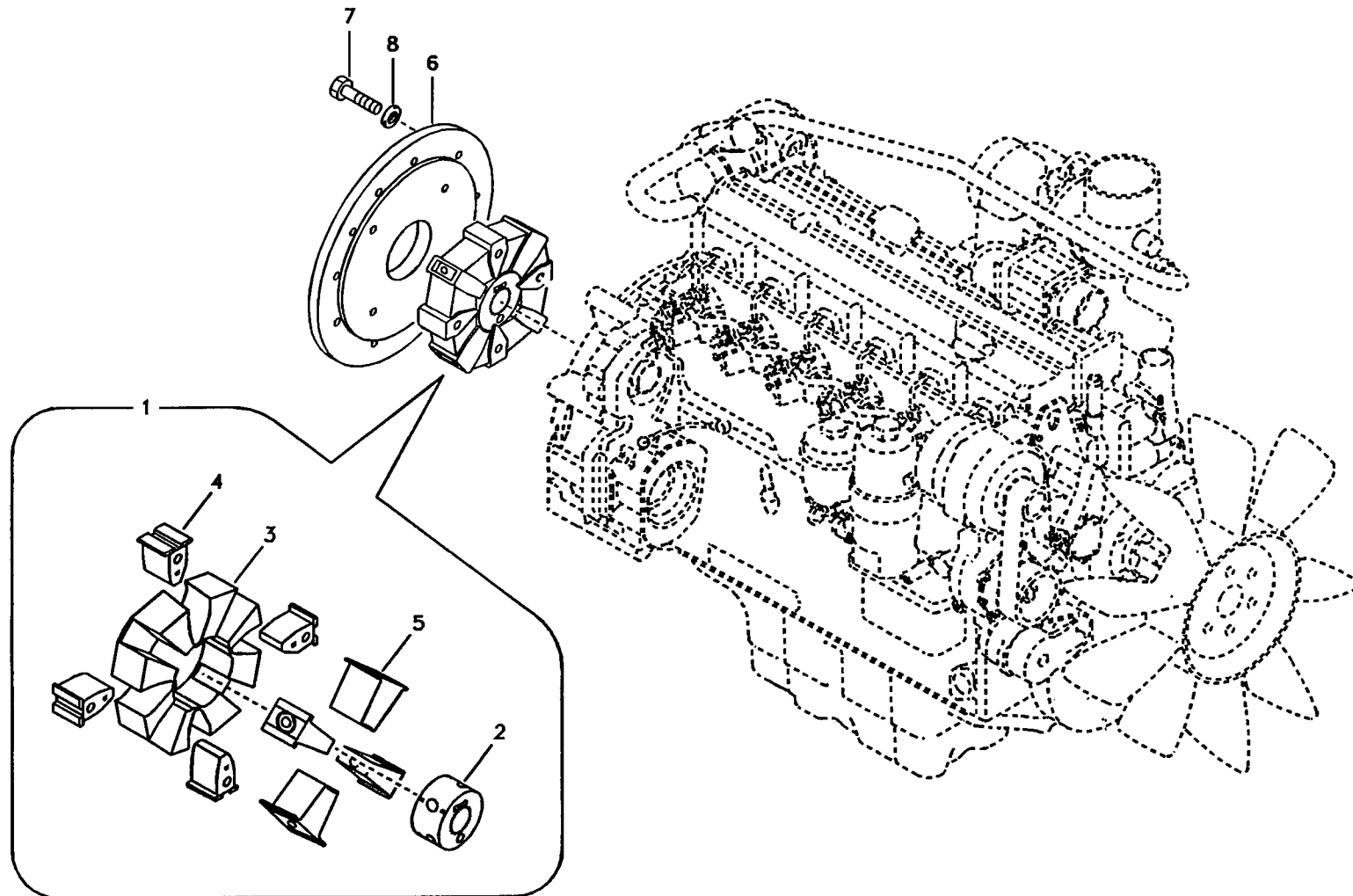


Fig.	Part No.	Quantity			P S	K I T	Description	Dénomination	Bezeichnung	품명	Denominación	Notes
		1	2	3								
1	VOE 14515827	1				Coupling.....	Accouplement .....	Kupplung .....	커플링 .....	Acoplamiento.....		
2	VOE 14515829	1				•Hub .....	•Bossage.....	•Nabe .....	•허브 .....	•Asiento.....		
3	VOE 14515828	1				•Element_coupling .....	•Element_couplin .....	•Element_couplin .....	•엘리먼트 .....	•Element_couplin.....		
4	VOE 14515830	4				•Insert.....	•Cartouche .....	•Einlage.....	•인서트 .....	•Introduccion.....		
5	VOE 14515831	4				•Insert.....	•Cartouche .....	•Einlage.....	•인서트 .....	•Introduccion.....		
6	SA 1042-01171	1				Flange .....	Flasque .....	Flansch .....	플랜지 .....	Brida.....		
7	VOE 983252	8				Screw .....	Vis .....	Schraube .....	스크류 .....	Tornillo.....		
8	VOE 955922	8				Spring Washer .....	Rondelle ressort.....	Federscheibe.....	스프링 와셔 .....	Arandela resorte.....		

1	8277784	<b>Caja de engranaje de bomba con piezas de montaje</b> <b>펌프 기어박스 및 커플링</b> <b>Pumpengetriebe mit Anbauteilen</b> <b>Boîte de vitesses de la pompe avec pièces d'assemblage</b> <b>Pump gearbox with assembling parts</b>	Catalogue id	Group
2			<b>56141</b>	<b>431</b>
3			Illustr. No	Section
4			<b>TA139</b>	<b>400</b>
5			Issue	Page
			<b>VOE 7414356141</b>	<b>197</b>

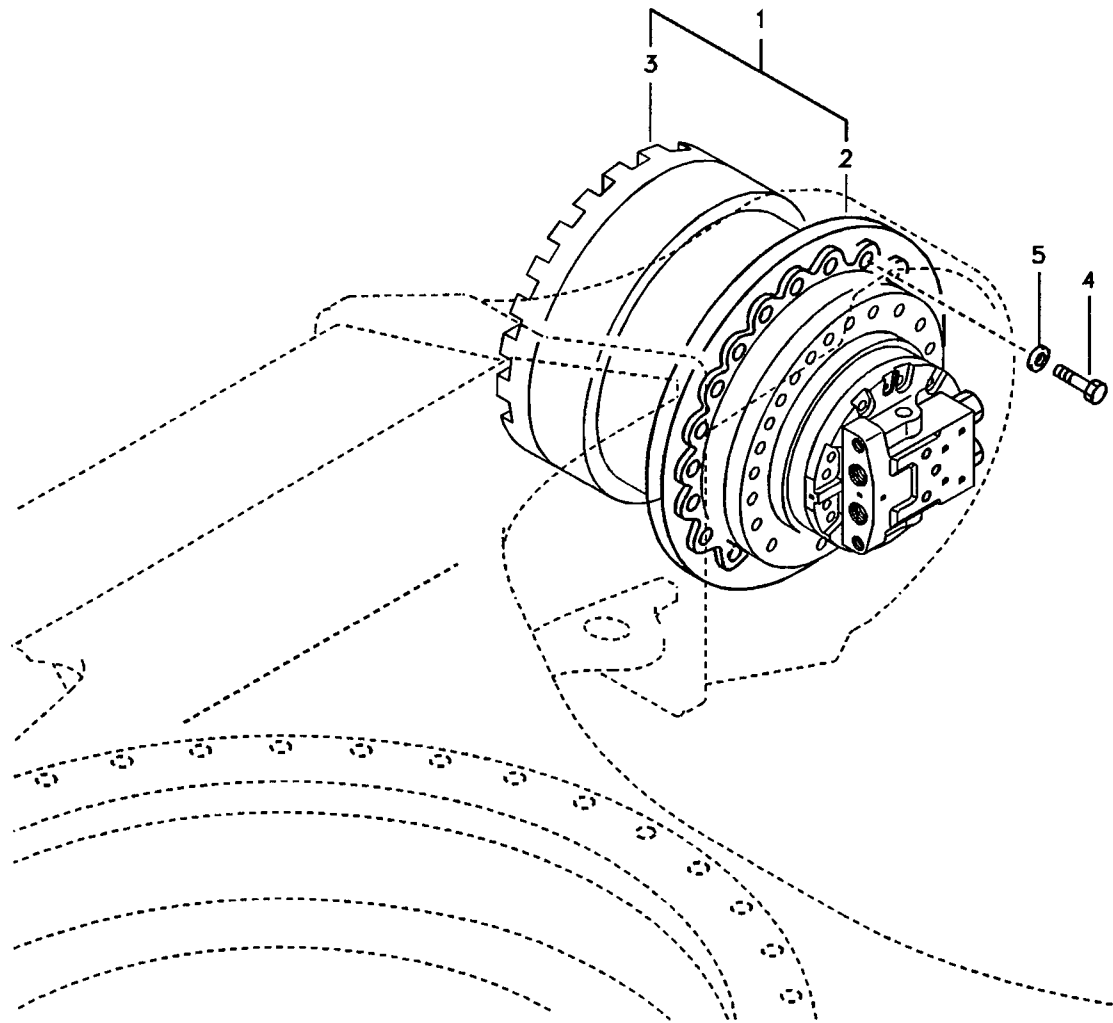


Fig.	Part No.	Quantity			P S	K I T	Description	Dénomination	Bezeichnung	품명	Denominación	Notes
		1	2	3								
1	SA 7117-30030	2				Drive Unit .....	Unite Commande .....	Antr Aggregat .....	드라이브 유닛 .....	Und Propulsora.....		
2	SA 1143-01270	1				•Travel Motor .....	•Moteur conduite .....	•Fahrmotor .....	•주행 모터.....	•Motor traslation.....	See group 441, Page 201	
3		1			NS	•Gearbox .....	•Boite vitesses.....	•Schaltgetriebe .....	•기어박스.....	•Caja velocidades.....	See group 431, Page 189	
4	SA 9011-21611	60				Bolt.....	Boulon.....	Bolzen.....	볼트 .....	Perno.....		
5	SA 9211-16000	60				Washer.....	Rondelle.....	Scheibe .....	와셔 .....	Arandela.....		

1	8277784	<b>Motor de traslación con piezas de montaje</b> 주행모터 및 장착 부품 <b>Fahrmotor mit Montageteilen</b> <b>Moteur de conduite avec pièces de montage</b> <b>Travel motor with mounting parts</b>	Catalogue id	Group
2			<b>56141</b>	<b>441</b>
3			Illustr. No	Section
4			<b>TA140</b>	<b>100</b>
5			Issue	Page
			<b>VOE 7414356141</b>	<b>199</b>



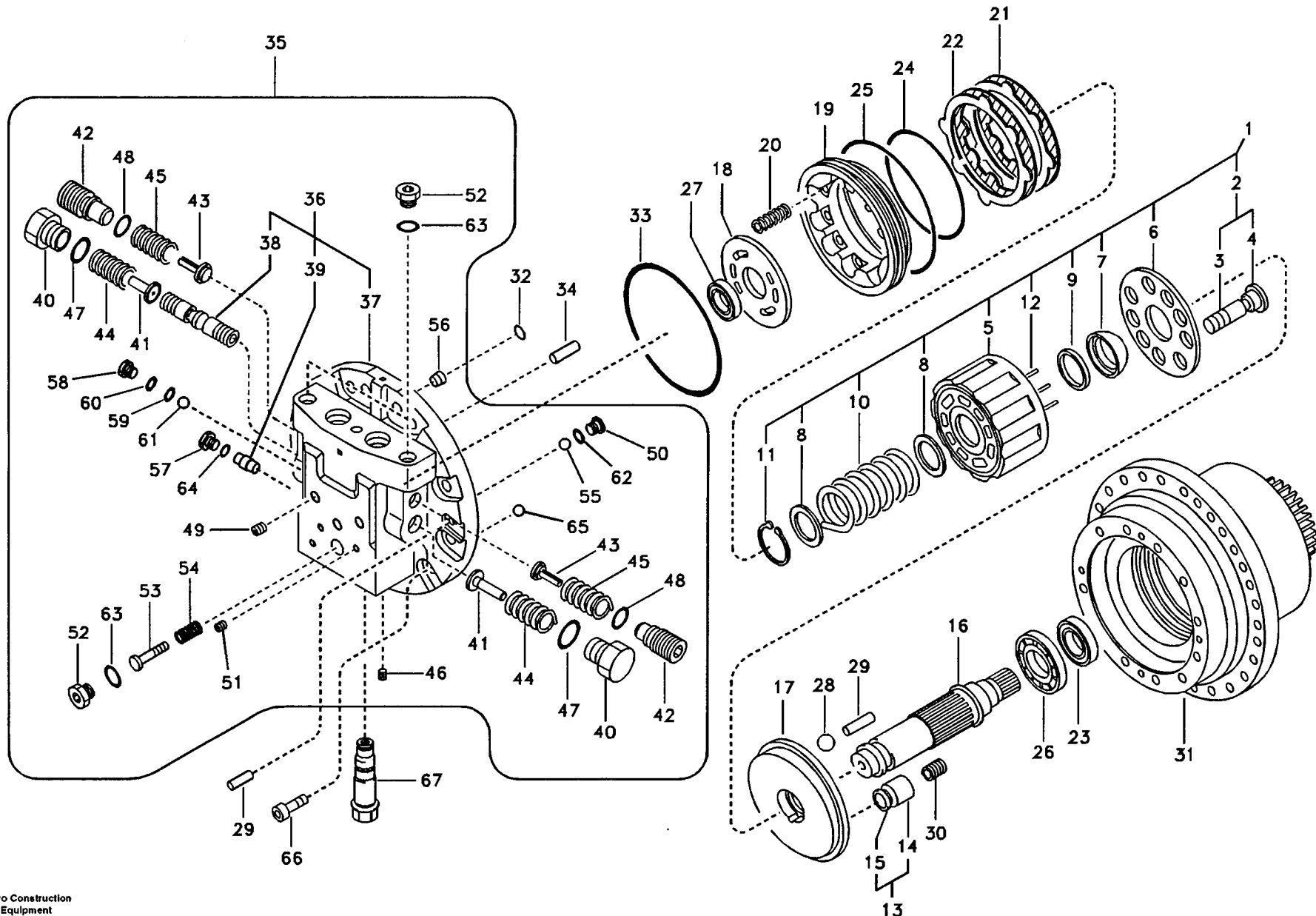


Fig.	Part No.	Quantity			P S	K I T	Description	Dénomination	Bezeichnung	품명	Denominación	Notes
		1	2	3								
	SA 1143-01270	1				Travel Motor.....	Moteur conduite .....	Fahrmotor .....	주행 모터 .....	Motor traslation.....		
1	SA 8230-21631	1				•Piston.....	•Piston.....	•Kolben.....	• 피스톤 .....	•Piston.....		
2		9		NS		••Piston .....	••Piston.....	••Kolben .....	•• 피스톤 .....	••Piston.....		
3		1		NS		•••Piston .....	•••Piston .....	•••Kolben .....	••• 피스톤 .....	•••Piston.....		
4		1		NS		•••Seat.....	•••Siege .....	•••Sitz .....	••• 시트 .....	•••Asiento.....		
5		1		NS		••Block.....	••Bloc.....	••Block.....	•• 블록 .....	••Bloque.....		
6		1		NS		••Plate .....	••Plaque .....	••Platte .....	•• 플레이트 .....	••Placa.....		
7		1		NS		••Ball .....	••Bille.....	••Kugel .....	•• 볼 .....	••Bola.....		
8		2		NS		••Washer.....	••Rondelle .....	••Scheibe.....	•• 와셔 .....	••Arandela.....		
9		1		NS		••Washer.....	••Rondelle .....	••Scheibe.....	•• 와셔 .....	••Arandela.....		
10		1		NS		••Spring.....	••Ressort .....	••Feder.....	•• 스프링 .....	••Muelle.....		
11		1		NS		••Ring.....	••Anneau .....	••Ring.....	•• 링 .....	••Anillo.....		
12		5		NS		••Bearing.....	••Palier .....	••Lager.....	•• 베어링 .....	••Cojinete.....		
13	SA 8230-15140	1				•Piston.....	•Piston.....	•Kolben.....	• 피스톤 .....	•Piston.....		
14		1		NS		••Piston .....	••Piston.....	••Kolben .....	•• 피스톤 .....	••Piston.....		
15		1		NS		••Seat.....	••Siege .....	••Sitz.....	•• 시트 .....	••Asiento.....		
16	SA 8230-33140	1				•Shaft.....	•Lever Main .....	•Handstockhebel .....	• 샤프트 .....	•Palanca.....		
17	SA 8230-21520	1				•Plate.....	•Plaque.....	•Platte.....	• 플레이트 .....	•Placa.....		
18	SA 8230-21550	1				•Plate.....	•Plaque.....	•Platte.....	• 플레이트 .....	•Placa.....		
19	SA 8230-21650	1				•Piston.....	•Piston.....	•Kolben.....	• 피스톤 .....	•Piston.....		
20	SA 8230-21660	12				•Spring.....	•Ressort .....	•Feder.....	• 스프링 .....	•Muelle.....		
21	SA 8230-21670	2				•Plate.....	•Plaque.....	•Platte.....	• 플레이트 .....	•Placa.....		
22	SA 8230-03560	2				•Plate.....	•Plaque.....	•Platte.....	• 플레이트 .....	•Placa.....		
23	SA 8230-27160	1		K		•Sealing Ring .....	•Bagu.etancheite.....	•Runddichtring.....	• 시일 링 .....	•Anillo Reten.....		
24	SA 8230-21680	1		K		•O-ring.....	•Joint Torique .....	•O-ring.....	• 오링 .....	•Junta torica.....		
25	SA 8230-21690	1		SS K		•O-ring.....	•Joint Torique .....	•O-ring.....	• 오링 .....	•Junta torica.....		
26	SA 8230-21580	1				•Ball Bearing .....	•Roulemen.billes .....	•Kugellager.....	• 볼 베어링 .....	•Cojinete Bolas.....		
27	SA 8230-21590	1				•Ball Bearing .....	•Roulemen.billes .....	•Kugellager.....	• 볼 베어링 .....	•Cojinete Bolas.....		
28	SA 8230-21600	2				•Support.....	•Support .....	•Stütze.....	• 서포트 .....	•Apoyo.....		
29	SA 8230-21610	4				•Pin.....	•Goupille.....	•Zapfen.....	• 핀 .....	•Pasador.....		

1	8277784	<b>Motor de traslación</b>	Catalogue id	Group
2		주행모터	<b>56141</b>	<b>441</b>
3		<b>Fahrmotor</b>	Illustr. No	Section
4		<b>Moteur de conduite</b>	<b>TA141</b>	<b>200</b>
5		<b>Travel motor</b>	Issue	Page
			<b>VOE 7414356141</b>	<b>201</b>

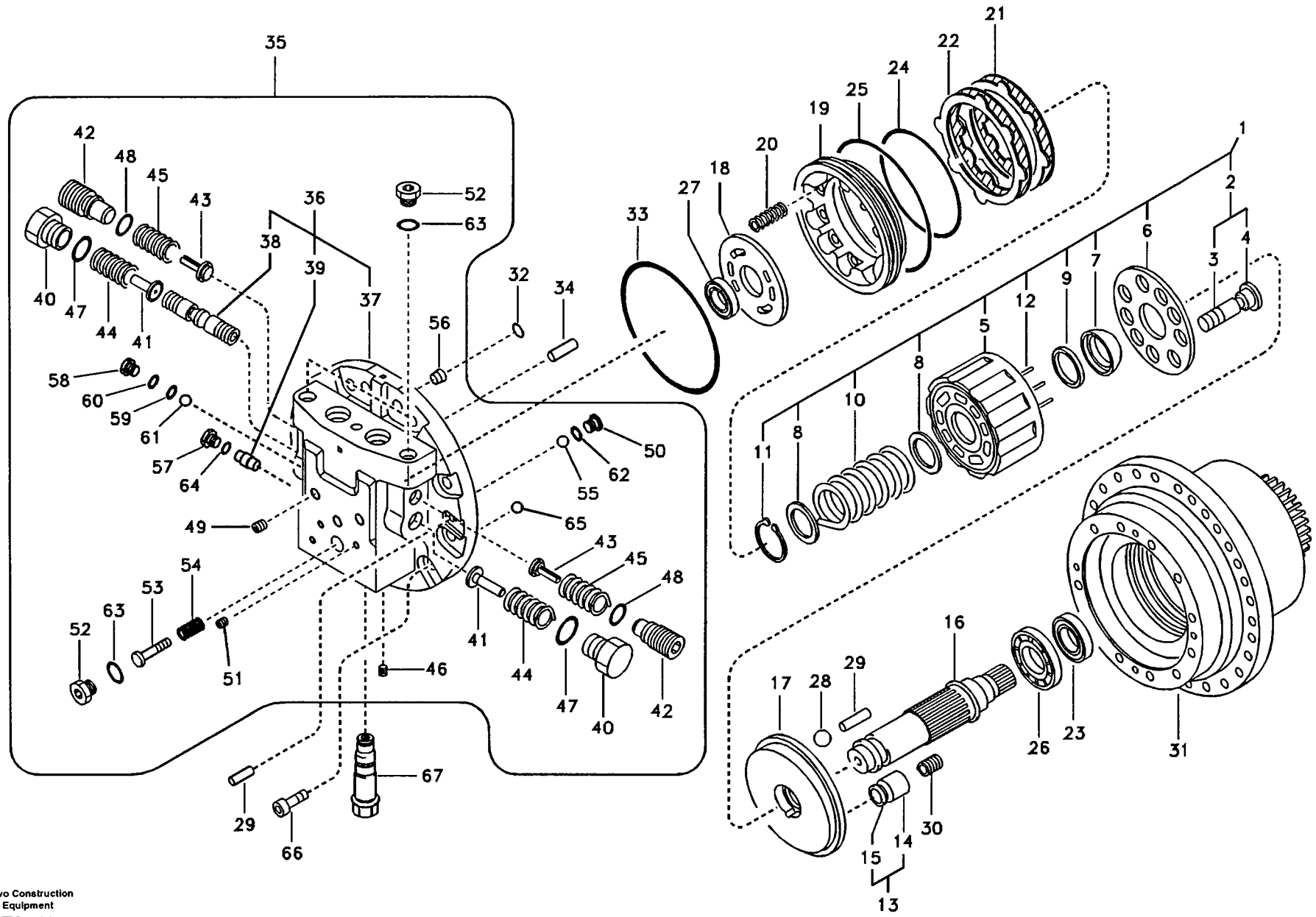


Fig.	Part No.	Quantity			P S	K I T	Description	Dénomination	Bezeichnung	품명	Denominación	Notes
		1	2	3								
30	SA 8230-15150	1				•Spring .....	•Ressort .....	•Feder.....	• 스프링 .....	•Muelle.....		
31	VOE 14500089	1				•Spindle.....	•Fusee.....	•Spindel.....	• 스피들 .....	•Mangueta.....		
32	SA 9511-12008	2			K	•O-ring.....	•Joint Torique .....	•O-ring.....	• 오링 .....	•Junta torica.....		
33	SA 9511-22230	1				•O-ring.....	•Joint Torique .....	•O-ring.....	• 오링 .....	•Junta torica.....		
34	SA 8220-13340	1				•Pin .....	•Goupille.....	•Zapfen.....	• 핀.....	•Pasador.....		
35	VOE 14500083	1				•Flange.....	•Flasque .....	•Flansch .....	• 플랜지 .....	•Brida.....		
36	SA 8230-21790	1				••Flange .....	••Flasque.....	••Flansch .....	•• 플랜지 .....	••Brida.....		
37		1			NS	•••Flange .....	•••Flasque .....	•••Flansch.....	••• 플랜지 .....	•••Brida.....		
38		1			NS	•••Spool .....	•••Bobine .....	•••Schieber .....	••• 스펴 .....	•••Bobina.....		
39		1			NS	•••Piston .....	•••Piston .....	•••Kolben .....	••• 피스톤 .....	•••Piston.....		
40	SA 8230-02710	2				••Plug .....	••Bouchon .....	••Stopfen .....	•• 플러그 .....	••Tapon.....		
41	SA 8230-21700	2				••Stop .....	••Arrêt.....	••Anschlag.....	•• 스톱 .....	••Parada.....		
42	SA 8230-03590	2				••Plug .....	••Bouchon .....	••Stopfen .....	•• 플러그 .....	••Tapon.....		
43	SA 8230-03600	2				••Check valve.....	••Valve antiretour .....	••Rückschlagventil.....	•• 체크 밸브 .....	••Valvula retencion....		
44	SA 8230-02760	2				••Spring .....	••Ressort .....	••Feder .....	•• 스프링 .....	••Muelle.....		
45	SA 8230-03610	2				••Spring .....	••Ressort .....	••Feder .....	•• 스프링 .....	••Muelle.....		
46	SA 8220-14930	4				••Plug .....	••Bouchon .....	••Stopfen .....	•• 플러그 .....	••Tapon.....		
47	SA 9511-12032	2			K	••O-ring .....	••Joint Torique.....	••O-ring.....	•• 오링 .....	••Junta torica.....		
48	SA 9511-1222A	2			K	••O-ring .....	••Joint Torique.....	••O-ring.....	•• 오링 .....	••Junta torica.....		
49	SA 8230-30410	2				••Plug .....	••Bouchon .....	••Stopfen .....	•• 플러그 .....	••Tapon.....		
50	SA 8230-19210	2				••Plug .....	••Bouchon .....	••Stopfen .....	•• 플러그 .....	••Tapon.....		
51	SA 8220-14920	8				••Plug .....	••Bouchon .....	••Stopfen .....	•• 플러그 .....	••Tapon.....		
52	SA 8230-20520	2				••Plug .....	••Bouchon .....	••Stopfen .....	•• 플러그 .....	••Tapon.....		
53	SA 8230-21710	1				••Slide .....	••Tiroir .....	••Schieber .....	•• 슬라이드 .....	••Corredera.....		
54	VOE 14500087	1				••Spring .....	••Ressort .....	••Feder .....	•• 스프링 .....	••Muelle.....		
55	SA 9676-38000	2				••Ball .....	••Bille.....	••Kugel .....	•• 볼 .....	••Bola.....		
56	SA 8230-08630	1				••Filter .....	••Filtre.....	••Filter.....	•• 필터 .....	••Filtro.....		
57	SA 8230-23140	2				••Plug .....	••Bouchon .....	••Stopfen .....	•• 플러그 .....	••Tapon.....		
58	SA 8230-21890	2				••Plug .....	••Bouchon .....	••Stopfen .....	•• 플러그 .....	••Tapon.....		
59	SA 9511-12005	2			K	••O-ring .....	••Joint Torique.....	••O-ring.....	•• 오링 .....	••Junta torica.....		

1	8277784	<b>Motor de traslación</b> 주행모터 <b>Fahrmotor</b> <b>Moteur de conduite</b> Travel motor	Catalogue id	Group
2			<b>56141</b>	<b>441</b>
3			Illustr. No	Section
4			<b>TA141</b>	<b>200</b>
5			Issue	Page
		<b>VOE 7414356141</b>	<b>203</b>	

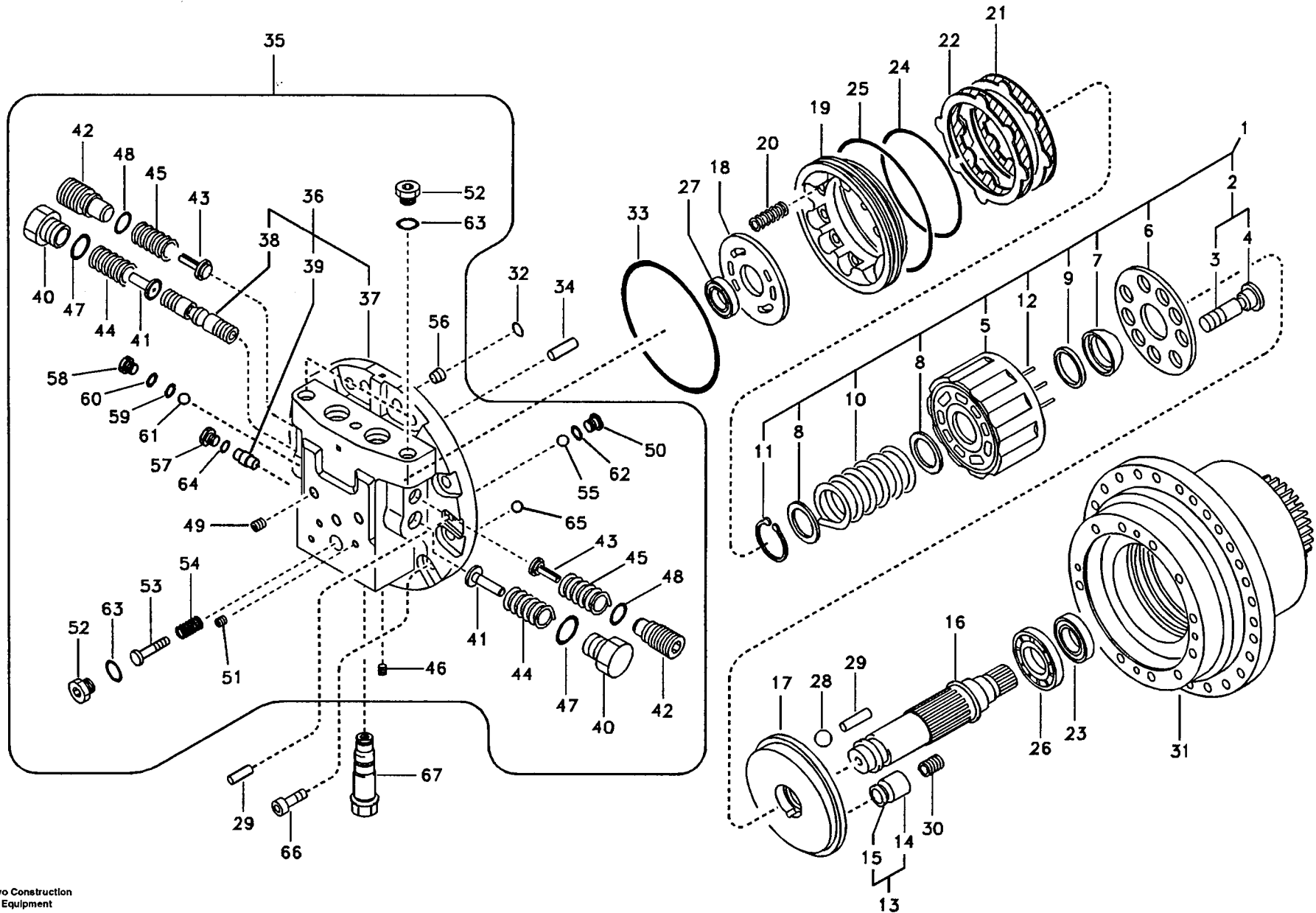


Fig.	Part No.	Quantity			P S	K I T	Description	Dénomination	Bezeichnung	품명	Denominación	Notes
		1	2	3								
60	SA 9511-12008	2				K	•O-ring .....	•Joint Torique.....	•O-ring.....	•오링 .....	•Junta torica.....	
61	VOE 14500088	2					•Ball .....	•Bille.....	•Kugel .....	•볼 .....	•Bola.....	
62	SA 9511-12011	2				K	•O-ring .....	•Joint Torique.....	•O-ring.....	•오링 .....	•Junta torica.....	
63	SA 9511-12018	2				K	•O-ring .....	•Joint Torique.....	•O-ring.....	•오링 .....	•Junta torica.....	
64	SA 9511-12014	2				K	•O-ring .....	•Joint Torique.....	•O-ring.....	•오링 .....	•Junta torica.....	
65	SA 8230-27130	1					•Orifice .....	•Orifice .....	•Dusenbohrung .....	•오리피스 .....	•Orificio.....	
66	SA 8240-03170	12					•Bolt .....	•Boulon.....	•Bolzen.....	•볼트 .....	•Perno.....	
67	SA 8230-21640	2			SS		•Relief Valve .....	•Limiteur - pression .....	•Druckbegrenzer .....	•릴리프 밸브 .....	•Limitador presion.....	
100	SA 8230-21810	1					Sealing Kit.....	Jeu Joints.....	Dichtungssatz.....	시일 키트 .....	Juego Retenes.....	

1	8277784	<b>Motor de traslación</b> 주행모터 <b>Fahrmotor</b> <b>Moteur de conduite</b> Travel motor	Catalogue id	Group
2			<b>56141</b>	<b>441</b>
3			Illustr. No	Section
4			<b>TA141</b>	<b>200</b>
5			Issue	Page
			<b>VOE 7414356141</b>	<b>205</b>

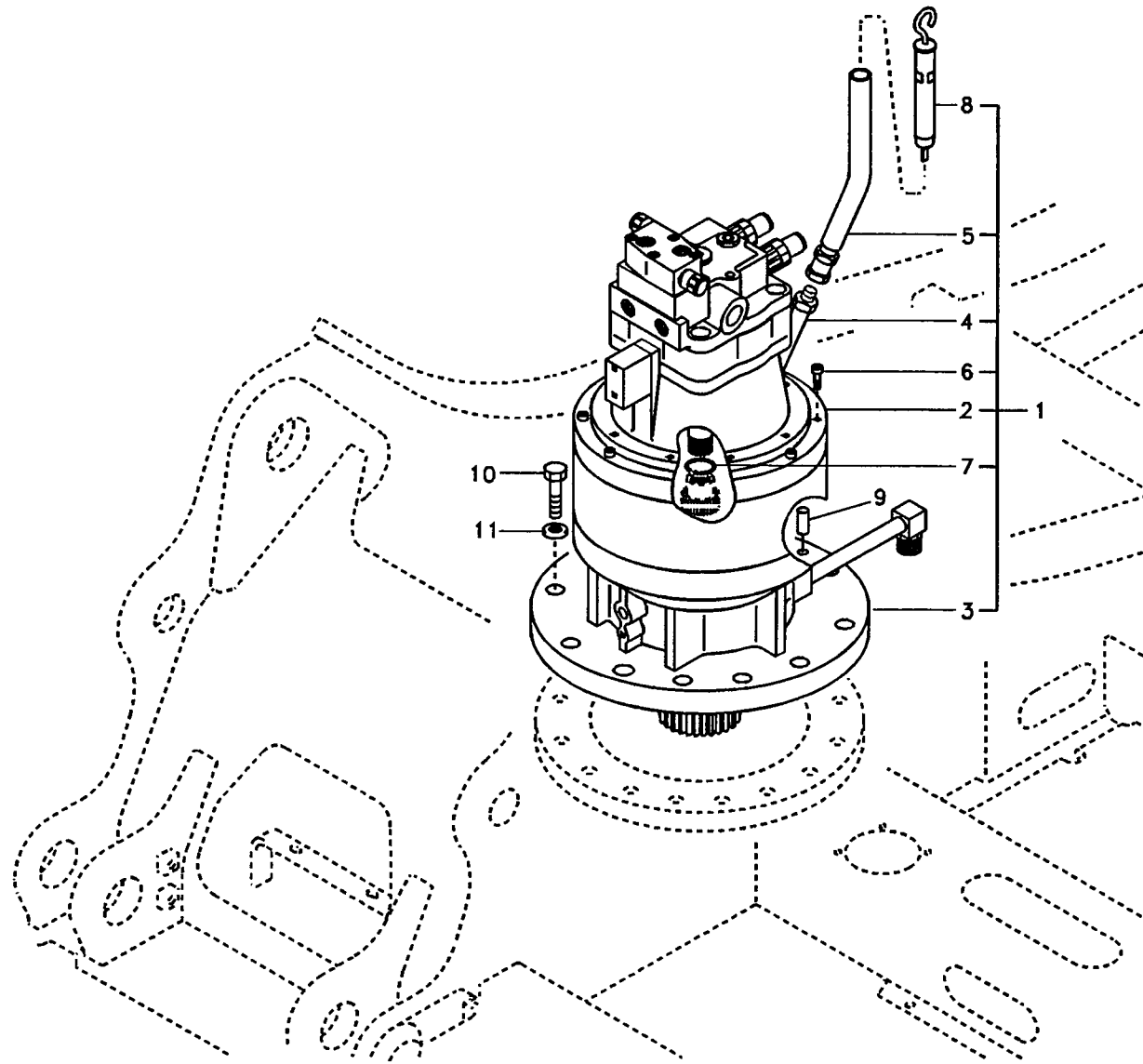


Fig.	Part No.	Quantity			P S	K I T	Description	Dénomination	Bezeichnung	품명	Denominación	Notes
		1	2	3								
1	VOE 14516442	1					Drive Unit .....	Unite Commande .....	Antr Aggregat .....	드라이브 유니트 .....	Und Propulsora.....	
2	SA 1142-00930	1					•Swing Motor.....	•Moteur orientat.....	•Schwenkmotor .....	• 선회 모터.....	•Motor de giro.....	See group 441, Page 209
3	VOE 14516445	1					•Gearbox.....	•Boite vitesses.....	•Schaltgetriebe.....	• 기어박스.....	•Caja velocidades.....	See group 431, Page 193
4	VOE 14514380	1					•Pipe .....	•Canalisation .....	•Rohrleitung.....	• 파이프 .....	•Canalizacion.....	
5	VOE 14514382	1					•Pipe .....	•Canalisation .....	•Rohrleitung.....	• 파이프 .....	•Canalizacion.....	
6	SA 9016-11206	8					•Bolt .....	•Boulon.....	•Bolzen .....	• 볼트 .....	•Perno.....	
7	SA 9541-01035	1					•Ring .....	•Anneau .....	•Ring.....	• 링 .....	•Anillo.....	
8	VOE 14514385	1					•Gauge.....	•Calibre .....	•Schablone .....	• 게이지 .....	•Plantilla.....	
9	SA 1055-01342	1					Pin.....	Goupille.....	Zapfen .....	핀 .....	Pasador.....	
10	VOE 978949	11					Screw .....	Vis .....	Schraube .....	스크류 .....	Tornillo.....	
11	SA 9211-20000	11					Washer.....	Rondelle.....	Scheibe .....	와셔 .....	Arandela.....	

1	8277784	<b>Motor de giro con piezas de montaje</b> 선회 모터 및 장착 부품 <b>Schwenkmotor mit Anbauteilen</b> <b>Moteur d'orientation avec pièces de montage</b> <b>Swing motor with mounting parts</b>	Catalogue id	Group
2			56141	441
3			Illustr. No	Section
4			TA142	500
5			Issue	Page
			VOE 7414356141	207



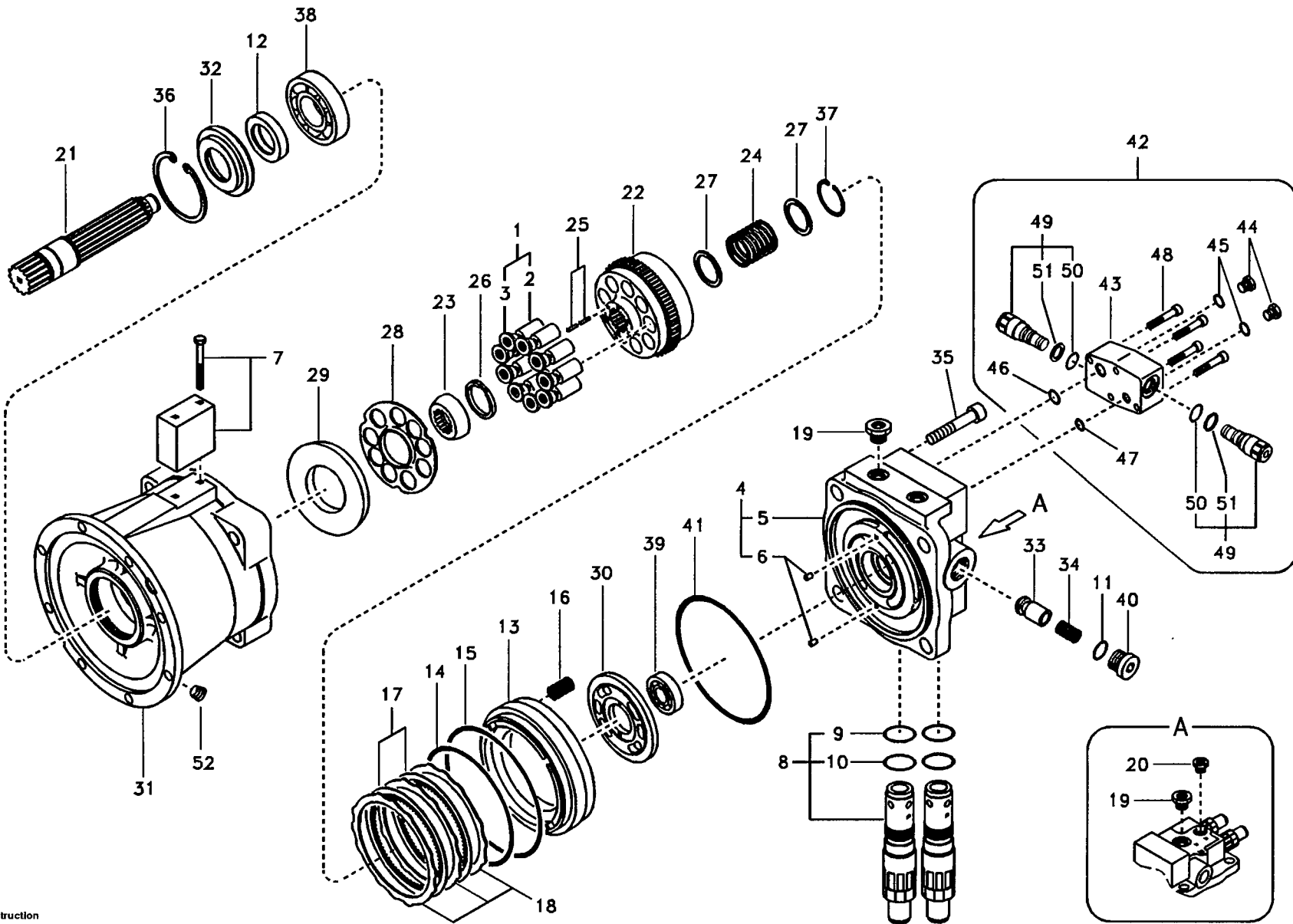


Fig.	Part No.	Quantity			P S	K I T	Description	Dénomination	Bezeichnung	품명	Denominación	Notes
		1	2	3								
	SA 1142-00930	1				Swing Motor .....	Moteur orientat .....	Schwenkmotor .....	선회 모터 .....	Motor de giro.....		
1	SA 8230-35500	1				•Piston.....	•Piston.....	•Kolben.....	•피스톤 .....	•Piston.....		
2		9			NS	•Piston .....	•Piston.....	•Kolben .....	•피스톤 .....	•Piston.....		
3		9			NS	•Seat .....	•Siege .....	•Sitz.....	•시트.....	•Asiento.....		
4	SA 8230-14390	1				•Casing .....	•Boitier.....	•Gehäuse .....	•케이싱 .....	•Cubierta.....		
5		1			NS	•Casing .....	•Enveloppe.....	•Mantel.....	•케이싱 .....	•Camisa.....		
6	SA 7223-00660	2				•Spring Pin.....	•Boulon de ressort .....	•Federstift.....	•스프링 핀 .....	•Pasador Resorte.....		
7	SA 8230-13440	1			SS	•Valve.....	•Soupape .....	•Ventil .....	•밸브 .....	•Valvula.....		
8	SA 8230-27400	2				•Relief Valve .....	•Limiteur - pression .....	•Druckbegrenzer .....	•릴리프 밸브 .....	•Limitador presion.....		
9	SA 9511-22030	1				•O-ring .....	•Joint Torique.....	•O-ring.....	•오링 .....	•Junta torica.....		
10	SA 9566-20300	1				•Ring .....	•Anneau .....	•Ring .....	•링 .....	•Anillo.....		
11	SA 9511-12028	2			K	•O-ring.....	•Joint Torique .....	•O-ring .....	•오링 .....	•Junta torica.....		
12	SA 8230-32140	1			K	•Seal .....	•Joint .....	•Dichtring.....	•시일 .....	•Junta.....		
13	SA 8230-13870	1				•Piston.....	•Piston.....	•Kolben.....	•피스톤 .....	•Piston.....		
14	SA 8230-25530	1			K	•O-ring.....	•Joint Torique .....	•O-ring .....	•오링 .....	•Junta torica.....		
15	SA 8230-25540	1			K	•O-ring.....	•Joint Torique .....	•O-ring .....	•오링 .....	•Junta torica.....		
16	SA 8230-14200	12				•Spring .....	•Ressort .....	•Feder.....	•스프링 .....	•Muelle.....		
17	SA 8230-13960	3				•Plate .....	•Plaque.....	•Platte.....	•플레이트 .....	•Placa.....		
18	SA 8230-13970	4				•Plate .....	•Plaque.....	•Platte.....	•플레이트 .....	•Placa.....		
19	SA 8230-26920	3				•Plug .....	•Bouchon.....	•Stopfen .....	•플러그 .....	•Tapon.....		
20	SA 8230-26930	1				•Plug .....	•Bouchon.....	•Stopfen .....	•플러그 .....	•Tapon.....		
21	SA 8230-13640	1				•Shaft .....	•Arbre .....	•Welle.....	•샤프트 .....	•Arbol.....		
22	SA 8230-13890	1				•Cylinder .....	•Verin .....	•Zylinder .....	•실린더 .....	•Cilindro.....		
23	SA 8230-14240	1				•Retainer .....	•Retenue .....	•Halter .....	•리테이너 .....	•Soporte.....		
24	SA 8230-14230	1				•Spring .....	•Ressort .....	•Feder.....	•스프링 .....	•Muelle.....		
25	SA 8230-26350	12				•Rod .....	•Monture.....	•Fuhler.....	•로드 .....	•Varilla.....		
26	SA 8230-14250	1				•Spacer .....	•Partie Interme. ....	•Zwischenstück .....	•스페이서 .....	•Espaciador.....		
27	SA 8230-14220	2				•Spacer .....	•Partie Interme. ....	•Zwischenstück .....	•스페이서 .....	•Espaciador.....		
28	SA 8230-13950	1				•Plate .....	•Plaque.....	•Platte.....	•플레이트 .....	•Placa.....		
29	SA 8230-14190	1				•Plate .....	•Plaque.....	•Platte.....	•플레이트 .....	•Placa.....		

1	8277784	<b>Motor de giro</b> 선회 모터 <b>Schwenkmotor</b> <b>Moteur d'orientation</b> <b>Swing motor</b>	Catalogue id	Group
2			<b>56141</b>	<b>441</b>
3			Illustr. No	Section
4			<b>TA143</b>	<b>600</b>
5			Issue	Page
		<b>VOE 7414356141</b>	<b>209</b>	

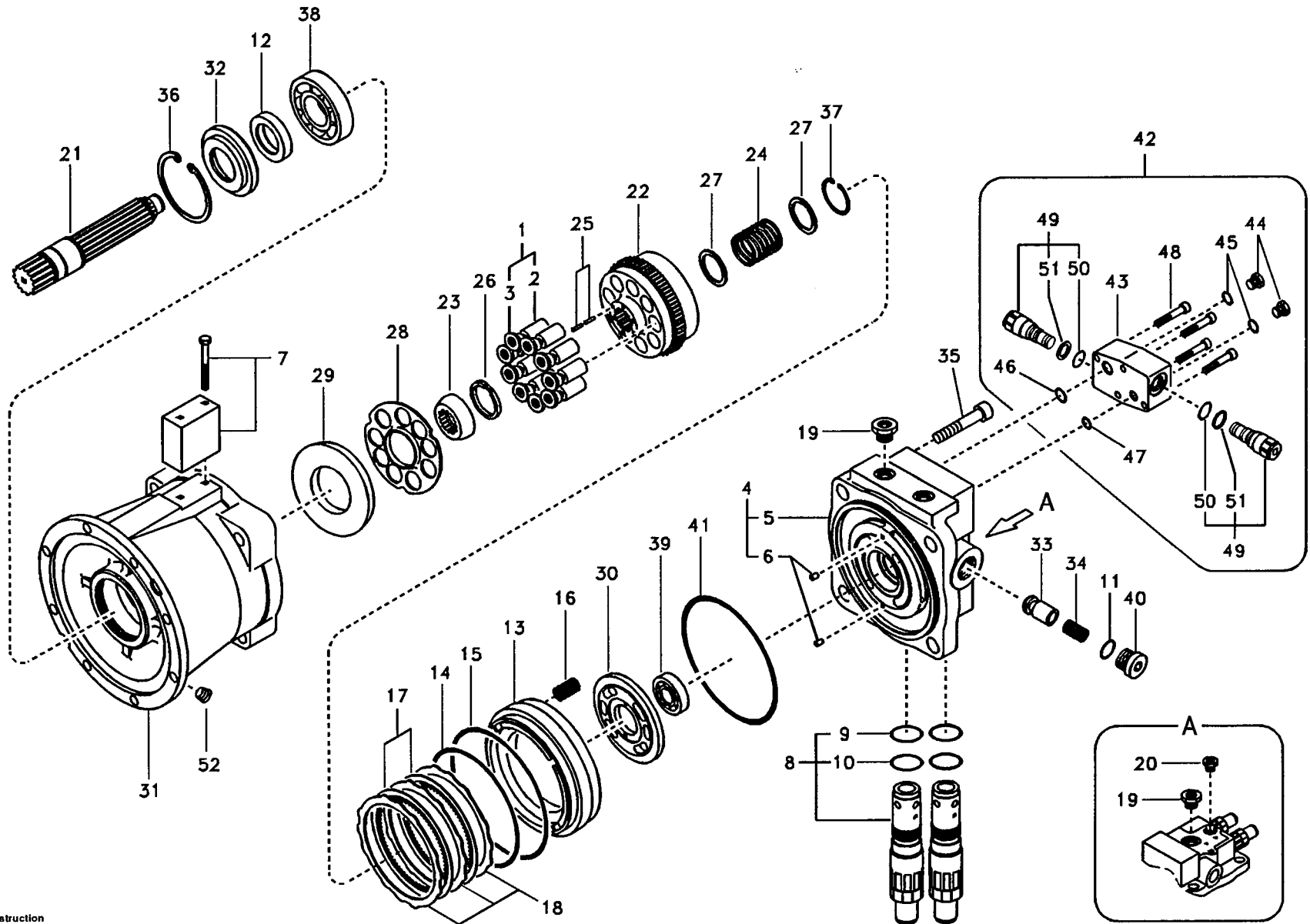


Fig.	Part No.	Quantity			P S	K I T	Description	Dénomination	Bezeichnung	품명	Denominación	Notes
		1	2	3								
30	SA 8230-13740	1					•Plate .....	•Plaque.....	•Platte.....	•플레이트.....	•Placa.....	
31	SA 8230-13590	1					•Casing .....	•Boitier.....	•Gehäuse .....	•케이싱 .....	•Cubierta.....	
32	SA 8230-14210	1					•Cover .....	•Capot .....	•Haube .....	•커버 .....	•Capo.....	
33	SA 8230-14160	2					•Plunger .....	•Plongeur .....	•Plunger.....	•플런저 .....	•Piston.....	
34	SA 8230-14150	2					•Spring .....	•Ressort .....	•Feder.....	•스프링 .....	•Muelle.....	
35	SA 8230-25820	4					•Bolt .....	•Boulon.....	•Bolzen .....	•볼트 .....	•Perno.....	
36	SA 8230-25750	1					•Ring .....	•Anneau .....	•Ring.....	•링 .....	•Anillo.....	
37	SA 8230-25730	1					•Ring .....	•Anneau .....	•Ring.....	•링 .....	•Anillo.....	
38	SA 8230-26520	1					•Roller Bearing .....	•Roulem.rouleaux.....	•Rollenlager.....	•롤러 베어링 .....	•Cojinet Rodillo.....	
39	SA 8230-26600	1					•Roller Bearing .....	•Roulem.rouleaux.....	•Rollenlager.....	•롤러 베어링 .....	•Cojinet Rodillo.....	
40	SA 8230-25680	2					•Plug .....	•Bouchon.....	•Stopfen .....	•플러그 .....	•Tapon.....	
41	SA 8210-06281	1			K		•O-ring.....	•Joint Torique .....	•O-ring.....	•오링 .....	•Junta torica.....	
42	SA 8230-27360	1					•Block .....	•Bloc.....	•Block .....	•블록 .....	•Bloque.....	
43		1			NS		••Casing .....	••Boitier .....	••Gehäuse .....	••케이싱 .....	••Cubierta.....	
44	SA 8230-25640	2					••Plug .....	••Bouchon .....	••Stopfen .....	••플러그 .....	••Tapon.....	
45	SA 9511-12011	2					••O-ring .....	••Joint Torique.....	••O-ring.....	••오링 .....	••Junta torica.....	
46	SA 9511-12012	2					••O-ring .....	••Joint Torique.....	••O-ring.....	••오링 .....	••Junta torica.....	
47	SA 9511-12006	2					••O-ring .....	••Joint Torique.....	••O-ring.....	••오링 .....	••Junta torica.....	
48	SA 8240-03610	4					••Screw .....	••Vis.....	••Schraube .....	••스크류 .....	••Tornillo.....	
49	VOE 14500037	2					••Valve .....	••Soupape .....	••Ventil.....	••밸브 .....	••Valvula.....	
50	SA 9511-12020	1					•••O-ring .....	•••Joint Torique .....	•••O-ring .....	•••오링 .....	•••Junta torica.....	
51	SA 9566-10200	1					•••Ring.....	•••Anneau .....	•••Ring.....	•••링 .....	•••Anillo.....	
52	SA 8240-03280	1					•Plug .....	•Bouchon.....	•Stopfen .....	•플러그 .....	•Tapon.....	
100	SA 8230-13430	1			SS		Sealing Kit.....	Jeu Joints.....	Dichtungssatz .....	시일 키트 .....	Juego Retenes.....	

1	8277784	<b>Motor de giro</b> 선회 모터 <b>Schwenkmotor</b> <b>Moteur d'orientation</b> <b>Swing motor</b>	Catalogue id	Group
2			<b>56141</b>	<b>441</b>
3			Illustr. No	Section
4			<b>TA143</b>	<b>600</b>
5			Issue	Page
		<b>VOE 7414356141</b>	<b>211</b>	

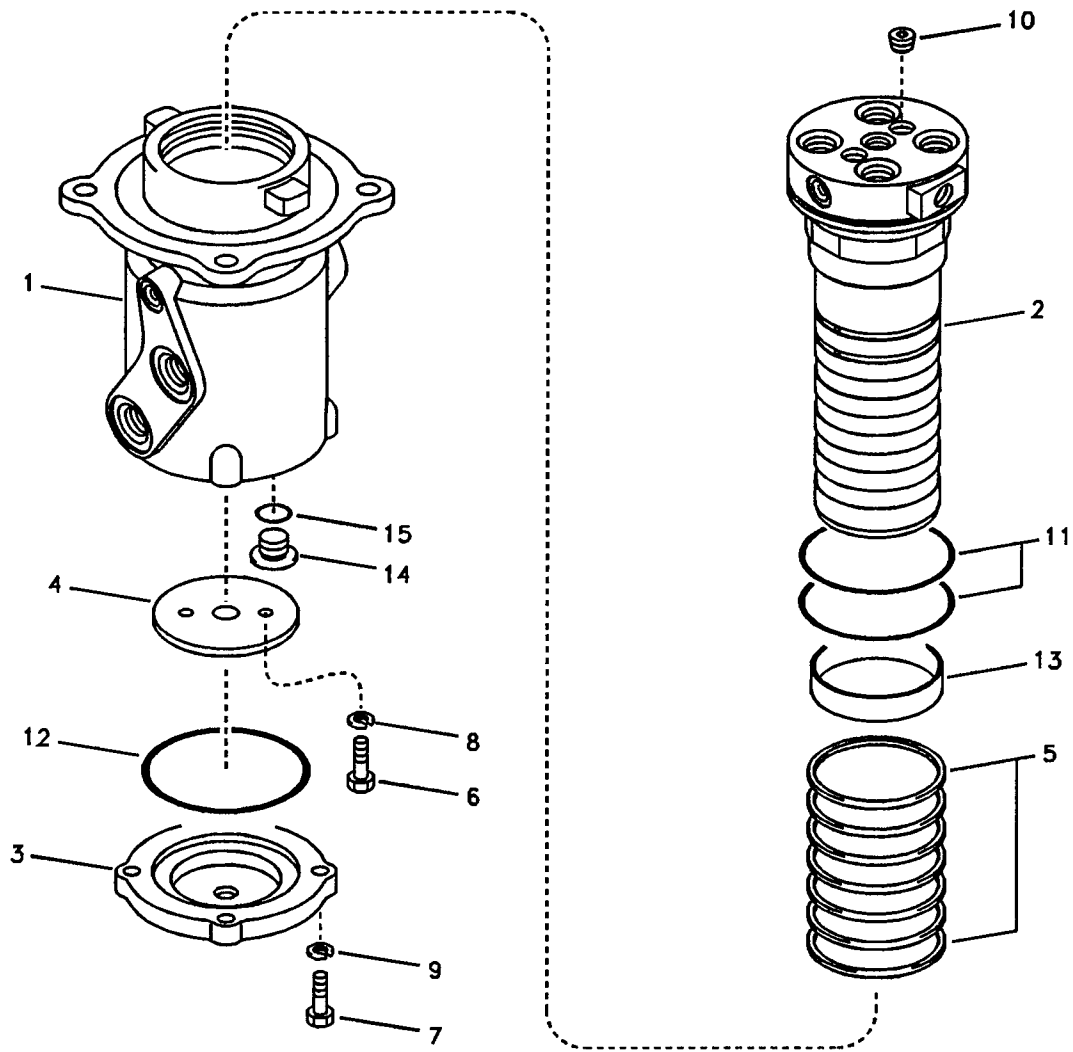


Fig.	Part No.	Quantity			P S	K I T	Description	Dénomination	Bezeichnung	품명	Denominación	Notes
		1	2	3								
	SA 1146-00062	1				Turning Joint .....	Artic Rotation .....	Drehgelenk .....	터닝 조인트 .....	Junta Giratoria.....		
1		1			NS	•Hub .....	•Bossage.....	•Nabe .....	•허브 .....	•Asiento.....		
2		1			NS	•Shaft .....	•Arbre .....	•Welle .....	•샤프트 .....	•Arbol.....		
3	SA 1146-00090	1				•Cover .....	•Capot .....	•Haube .....	•커버 .....	•Capo.....		
4	SA 1146-00101	1				•Spacer .....	•Partie Interme. ....	•Zwischenstück .....	•스페이서 .....	•Espaciador.....		
5	VOE 14507705	7			K	•Seal .....	•Plomb.....	•Plombe.....	•시일 .....	•Plomo.....		
6	VOE 983251	2				•Screw .....	•Vis.....	•Schraube.....	•스크류 .....	•Tornillo.....		
7	VOE 978933	4				•Screw .....	•Vis.....	•Schraube.....	•스크류 .....	•Tornillo.....		
8	VOE 955922	2				•Spring Washer .....	•Rondelle ressort.....	•Federscheibe .....	•스프링 와셔 .....	•Arandela resorte.....		
9	VOE 955923	4				•Washer .....	•Rondelle.....	•Scheibe.....	•와셔 .....	•Arandela.....		
10	SA 9415-43032	2				•Plug .....	•Bouchon.....	•Stopfen .....	•플러그 .....	•Tapon.....		
11	SA 9511-12110	2			K	•O-ring.....	•Joint Torique .....	•O-ring .....	•오링 .....	•Junta torica.....		
12	SA 9511-22125	1			K	•O-ring.....	•Joint Torique .....	•O-ring .....	•오링 .....	•Junta torica.....		
13	SA 9611-10025	1				•Bushing.....	•Bague .....	•Buchse.....	•부싱 .....	•Casquillo.....		
14	SA 1146-00670	4				•Plug .....	•Bouchon.....	•Stopfen .....	•플러그 .....	•Tapon.....		
15	SA 9511-12024	4			K	•O-ring.....	•Joint Torique .....	•O-ring .....	•오링 .....	•Junta torica.....		
100	VOE 14514937	1				Sealing Kit.....	Jeu Joints.....	Dichtungssatz .....	시일 키트 .....	Juego Retenes.....		

1	8277784	<b>Articulación de giro</b> 터닝조인트 <b>Drehgelenk</b> <b>Articulation de rotation</b> <b>Turning joint</b>	Catalogue id	Group
2			<b>56141</b>	<b>443</b>
3			Illustr. No	Section
4			<b>TA144</b>	<b>200</b>
5			Issue	Page
			<b>VOE 7414356141</b>	<b>213</b>

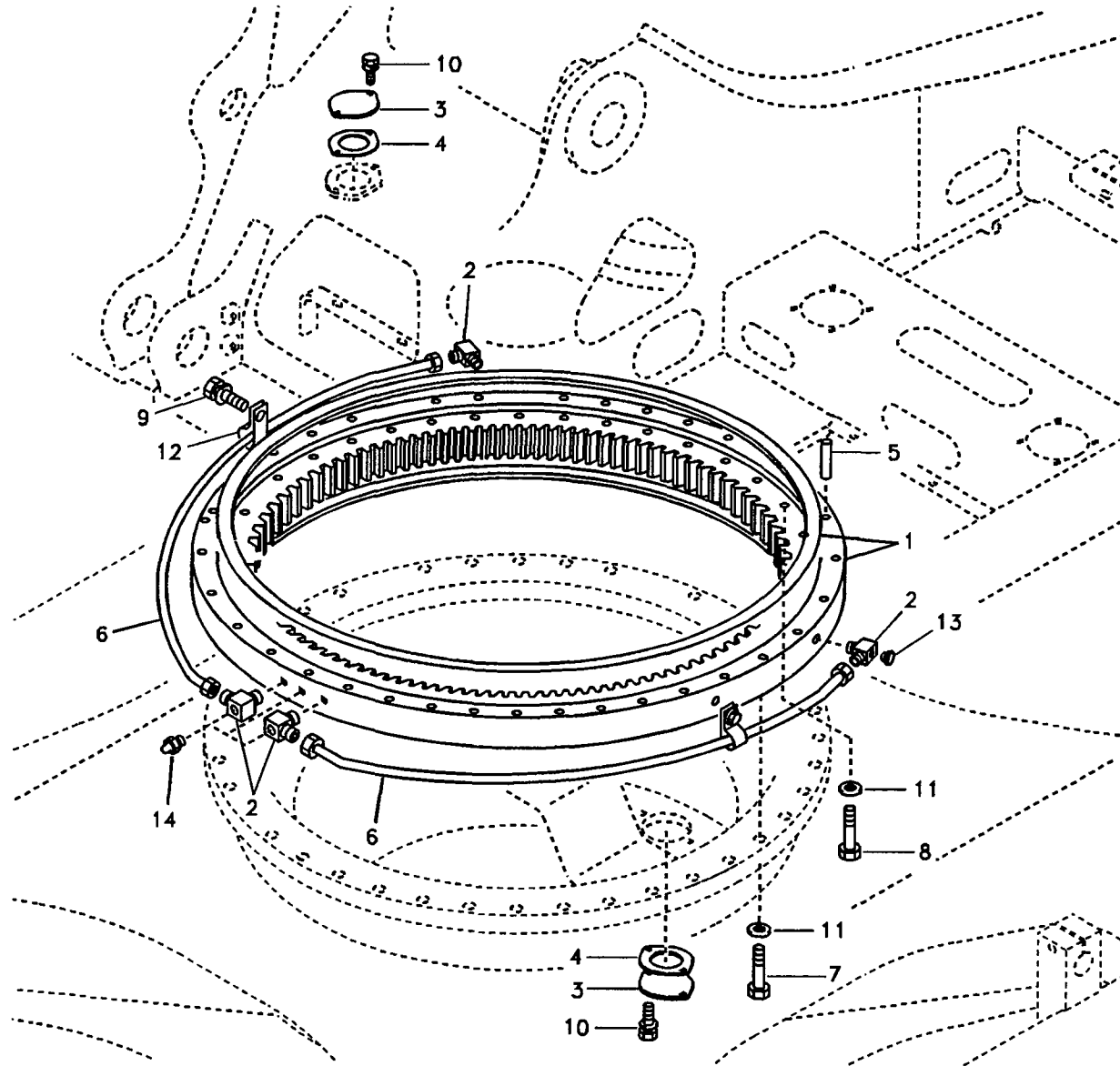


Fig.	Part No.	Quantity			P S	K T	Description	Dénomination	Bezeichnung	품명	Denominación	Notes
		1	2	3								
1	VOE 14505766	1					Swing Gear .....	Drehwe.getriebe .....	선회 기어 .....	Cambio Girator .....		
	VOE 14511866	1					•Seal .....	•Joint .....	•Dichtring .....	•시일 .....	•Junta .....	
2	SA 1050-14201	4					Elbow .....	Coude .....	Winkelstueck .....	엘보 .....	Codo .....	
3	SA 1050-62100	2					Cover .....	Capot .....	Haube .....	커버 .....	Capo .....	
4	SA 1050-62110	2					Packing .....	Joint .....	Dichtung .....	패킹 .....	Empaquetadura .....	
5	SA 1050-13840	3					Pin .....	Goupille .....	Zapfen .....	핀 .....	Pasador .....	
6	SA 1055-01530	2					Pipe .....	Canalisation .....	Rohrleitung .....	파이프 .....	Canalización .....	
7	SA 9011-22020	32					Bolt .....	Boulon .....	Bolzen .....	볼트 .....	Perno .....	
8	VOE 978949	36					Screw .....	Vis .....	Schraube .....	스크류 .....	Tornillo .....	
9	VOE 946471	2					Flange Screw .....	Vis A Bride .....	Flanschschraube .....	플랜지 스크류 .....	Torn Embridado .....	
10	VOE 946441	4					Flange Screw .....	Vis A Bride .....	Flanschschraube .....	플랜지 스크류 .....	Torn Embridado .....	
11	SA 9211-20000	68					Washer .....	Rondelle .....	Scheibe .....	와셔 .....	Arandela .....	
12	SA 9315-01002	2					Clip .....	Clip .....	Klemme .....	클립 .....	Clip .....	
13	SA 9415-43012	2					Plug .....	Bouchon .....	Stopfen .....	플러그 .....	Tapon .....	
14	SA 9481-11003	3					Nipple .....	Raccord .....	Nippel .....	니플 .....	Niple .....	

1	8277784	<b>Sistema de oscilación</b> 선회 장치 <b>Schwenksystem</b> <b>Système de pivotement</b> <b>Swing system</b>	Catalogue id	Group
2			<b>56141</b>	<b>492</b>
3			Illustr. No	Section
4			<b>TA145</b>	<b>100</b>
5			Issue	Page
		<b>VOE 7414356141</b>	<b>215</b>	



**VOLVO**

**Volvo Construction  
Equipment**

GROUP		Section	Page	GROUP	Section	Page
715	Protecting plate .....	100	223			
715	Protecting Plate, Traval Motor .....	200	225			
716	Counterweights .....	100	227			
716	Counterweights .....	200	229			
718	Undercarriage frame .....	100	231			
718	Undercarriage frame .....	200	233			
718	Upper frame .....	500	235			
718	Foot step .....	700	237			
775	Track chain .....	100	239			
775	Track chain .....	200	241			
775	Undercarriage, Track Guards .....	500	243			
775	Undercarriage, Spring Package .....	700	245			
775	Front Idler .....	800	247			
775	Top roller .....	900	249			
775	Bottom roller .....	1000	251			
775	Sprocket .....	1200	253			

INDEX OF CONTENTS

Catalogue id	Group
<b>56141</b>	<b>700</b>
Issue	Page
<b>VOE 7414356141</b>	<b>217</b>

## TABLE DES MATIÈRES

Catalogue id <b>56141</b>	Group <b>700</b>
Issue <b>VOE 7414356141</b>	Page <b>218</b>

GROUPE	Section	Page	GROUPE	Section	Page
715	Plaque de protection .....	100			223
715	Tôle protection pour moteur conduite .....	200			225
716	Contrepoids.....	100			227
716	Contrepoids.....	200			229
718	Cadre du chariot inférieur .....	100			231
718	Cadre du chariot inférieur .....	200			233
718	Cadre supérieur .....	500			235
718	Marche-pied .....	700			237
775	Chaîne de chenille .....	100			239
775	Chaîne de chenille .....	200			241
775	Chariot inférieur, protection a chenilles.....	500			243
775	Chariot inférieur, jeu de ressorts .....	700			245
775	Pignon avant.....	800			247
775	Rouleau supérieur.....	900			249
775	Rouleau inférieur.....	1000			251
775	Pignon chaine .....	1200			253

GRUPPE	Abschnitt	Seite	GRUPPE	Abschnitt	Seite
715	Schutzblech .....	100			223
715	Schutzblech für Fahrmotor .....	200			225
716	Gegengewicht .....	100			227
716	Gegengewicht .....	200			229
718	Laufwerksrahmen .....	100			231
718	Laufwerksrahmen .....	200			233
718	Oberwagen .....	500			235
718	Trittleiter .....	700			237
775	Raupenkette .....	100			239
775	Raupenkette .....	200			241
775	Unterswagen, Raupenschutz .....	500			243
775	Unterswagen, Federpaket .....	700			245
775	Vorderrad .....	800			247
775	Tragrolle .....	900			249
775	Laufrolle .....	1000			251
775	Kettentrieb .....	1200			253

INHALTSVERZEICHNIS

Catalogue id <b>56141</b>	Group <b>700</b>
Issue VOE 7414356141	Page <b>219</b>

목차

Catalogue id <b>56141</b>	Group <b>700</b>
Issue <b>VOE 7414356141</b>	Page <b>220</b>

그룹	소분류 쪽번호	그룹	소분류 쪽번호
----	---------	----	---------

715	보호 플레이트 .....	100	223
715	보호 플레이트, 주행모터 .....	200	225
716	카운터웨이트 .....	100	227
716	카운터웨이트 .....	200	229
718	하부 프레임 .....	100	231
718	하부 프레임 .....	200	233
718	상부 프레임 .....	500	235
718	풋 스텝 .....	700	237
775	트랙 체인 .....	100	239
775	트랙 체인 .....	200	241
775	언더캐리지, 트랙 가드 .....	500	243
775	언더캐리지, 리코일 스프링 .....	700	245
775	아이들러 .....	800	247
775	상부 롤러, 스키드 레일 .....	900	249
775	하부 롤러 .....	1000	251
775	스프로켓 .....	1200	253

GRUPO		Sección	Página	GRUPO		Sección	Página
715	Placa de protección .....	100	223				
715	Placa proteccion para motor traslation .....	200	225				
716	Contrapesos.....	100	227				
716	Contrapesos.....	200	229				
718	Bastidor del carro inferior .....	100	231				
718	Bastidor del carro inferior .....	200	233				
718	Bastidor de la superestructura .....	500	235				
718	Escalón de acceso.....	700	237				
775	Cadena de oruga .....	100	239				
775	Cadena de oruga .....	200	241				
775	Carro inferior, proteccion orugas .....	500	243				
775	Carro inferior, paquete de muelles.....	700	245				
775	Rueda loca delantera.....	800	247				
775	Rodillo superior .....	900	249				
775	Rodillo inferior .....	1000	251				
775	Engranaje cadena.....	1200	253				

INDICE	Catalogue id <b>56141</b>	Group <b>700</b>
	Issue <b>VOE 7414356141</b>	Page <b>221</b>

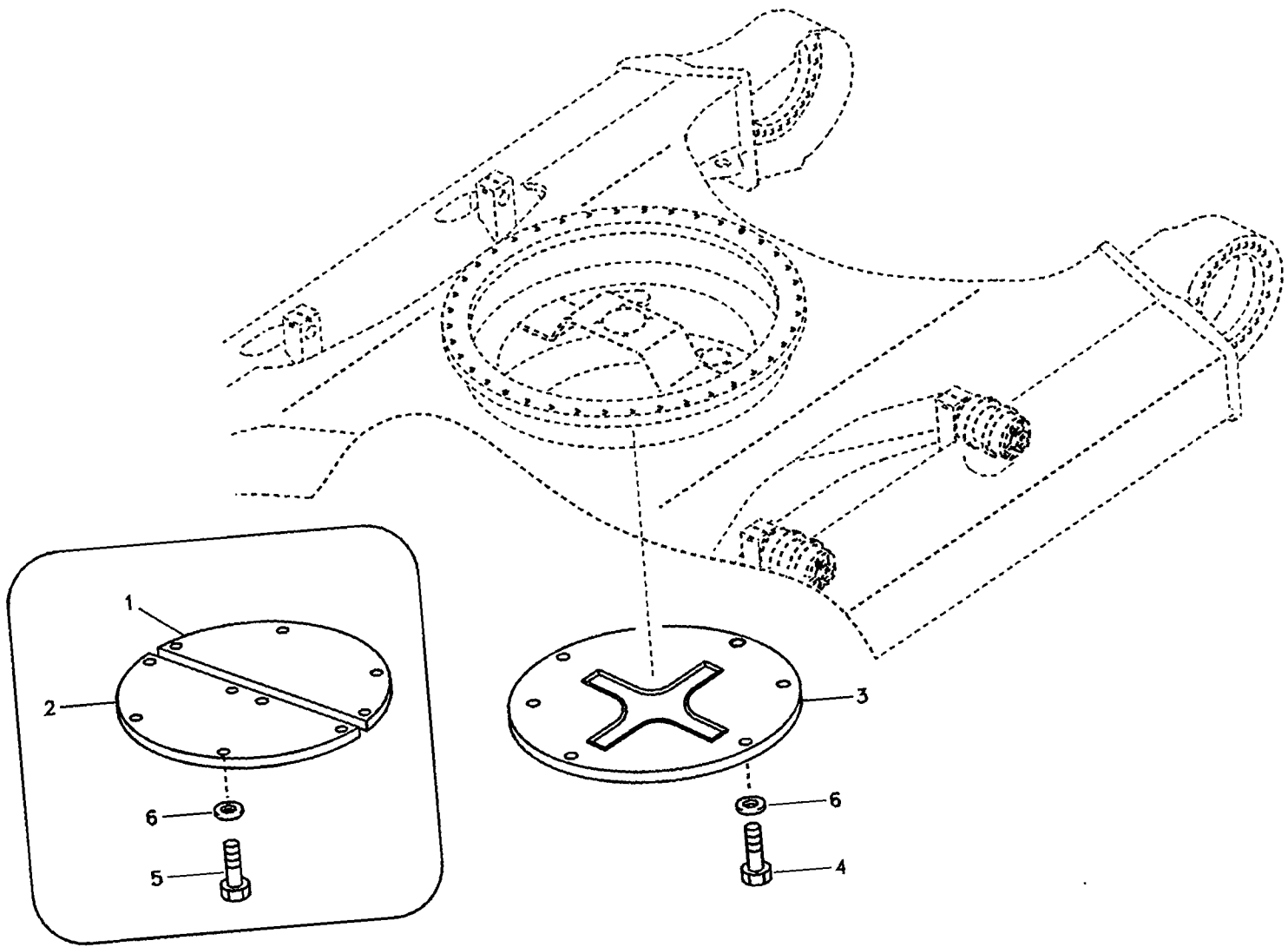


Fig.	Part No.	Quantity			P S	K I T	Description	Dénomination	Bezeichnung	품명	Denominación	Notes
		1	2	3								
1	VOE 14514024		1			Cover .....	Capot .....	Haube .....	커버 .....	Capa.....	10 Thick	
2	VOE 14514025		1			Cover .....	Capot .....	Haube .....	커버 .....	Capa.....	10 Thick	
3	VOE 14514023	1				Cover .....	Capot .....	Haube .....	커버 .....	Capa.....	4,5 Thick	
4	VOE 978936	6				Screw .....	Vis .....	Schraube .....	스크류 .....	Tornillo.....		
5	VOE 978938		10			Screw .....	Vis .....	Schraube .....	스크류 .....	Tornillo.....		
6	SA 9211-16000	6	10			Washer.....	Rondelle.....	Scheibe .....	와셔 .....	Arandela.....		

1	8277331	<b>Placa de protección</b> 보호 플레이트 <b>Schutzblech</b> <b>Plaque de protection</b> <b>Protecting plate</b>	Catalogue id	Group
2	8277332		<b>56141</b>	<b>715</b>
3			Illustr. No	Section
4			<b>TA146</b>	<b>100</b>
5			Issue	Page
			<b>VOE 7414356141</b>	<b>223</b>



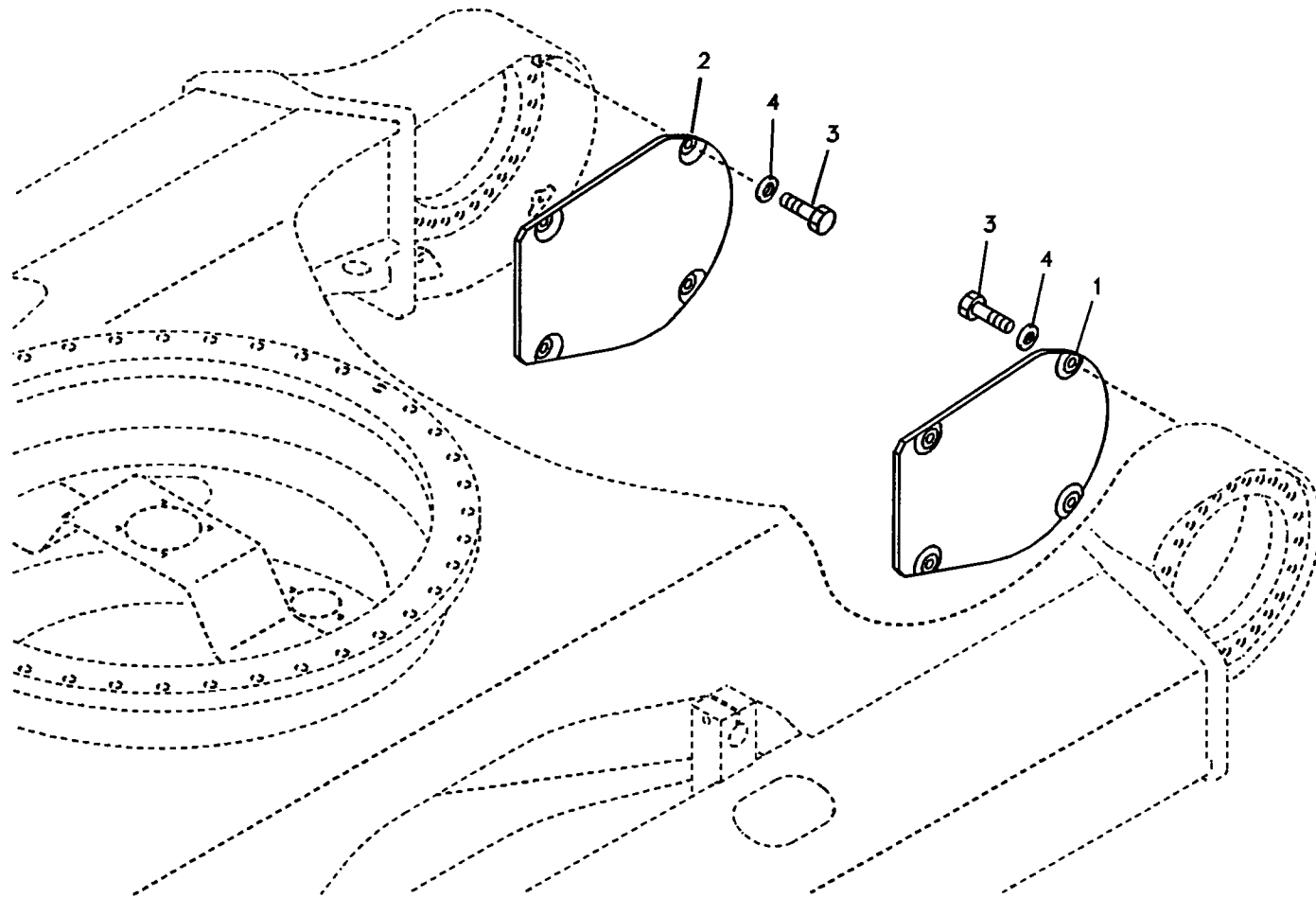


Fig.	Part No.	Quantity			P S	K I T	Description	Dénomination	Bezeichnung	품명	Denominación	Notes
		1	2	3								
1	SA 1164-20021	1				Cover .....	Capot .....	Haube .....	커버 .....	Capa.....		
2	SA 1164-20031	1				Cover .....	Capot .....	Haube .....	커버 .....	Capa.....		
3	VOE 978936	8				Screw .....	Vis .....	Schraube .....	스크류 .....	Tornillo.....		
4	SA 9211-16000	8				Washer.....	Rondelle.....	Scheibe .....	와셔 .....	Arandela.....		

1	8277784	<b>Placa proteccion para motor traslation</b> 보호 플레이트, 주행모터 <b>Schutzblech für Fahrmotor</b> <b>Tôle protection pour moteur conduite</b> <b>Protecting Plate, Traval Motor</b>	Catalogue id	Group
2			<b>56141</b>	<b>715</b>
3			Illustr. No	Section
4			<b>TA147</b>	<b>200</b>
5			Issue	Page
		<b>VOE 7414356141</b>	<b>225</b>	

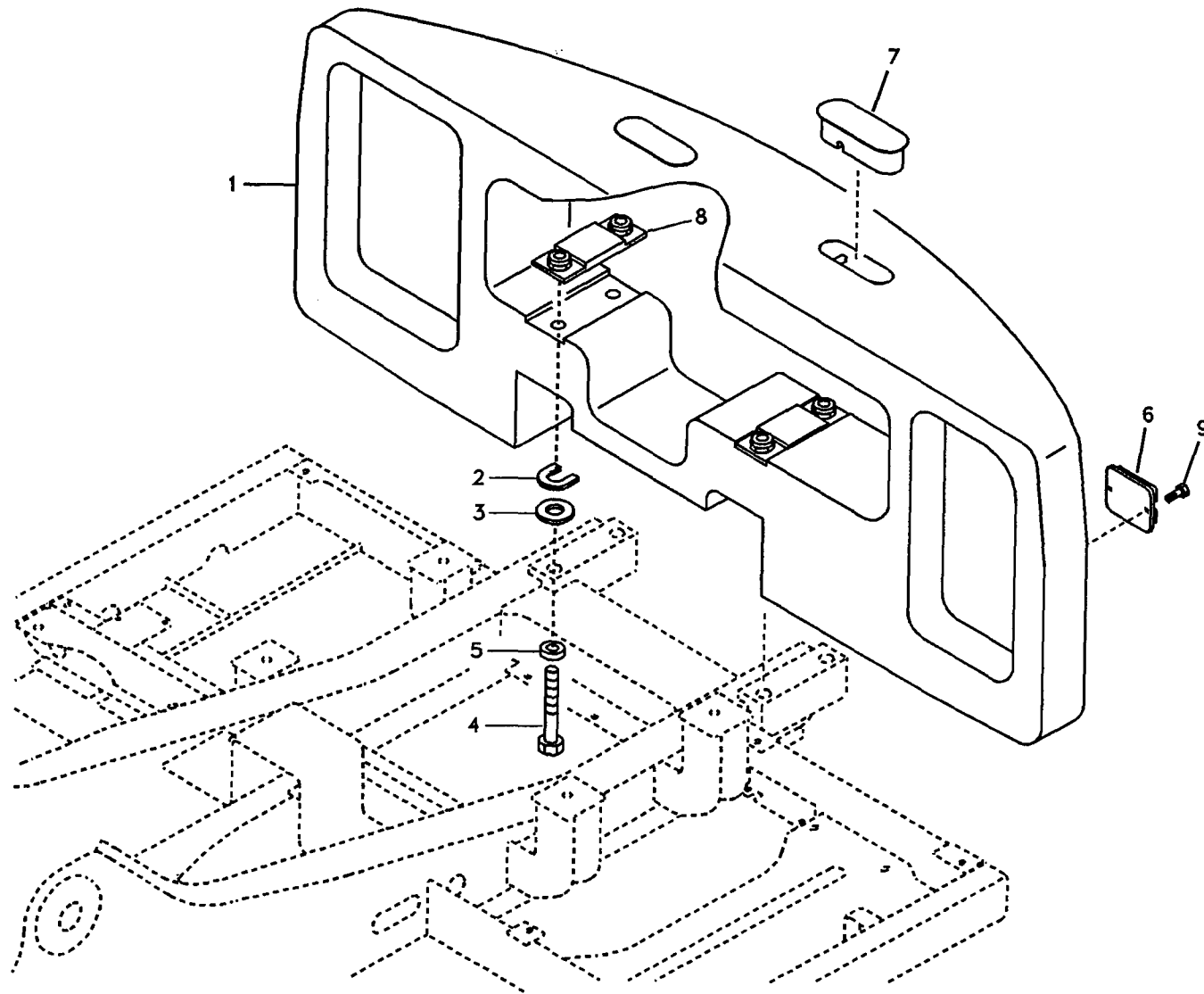


Fig.	Part No.	Quantity			P S	K I T	Description	Dénomination	Bezeichnung	품명	Denominación	Notes
		1	2	3								
1	VOE 14506654	1				Counterweight.....	Contrepoids.....	Gegengewicht.....	카운터웨이트.....	Contrapeso.....	3,7ton	
	VOE 14506655		1			Counterweight.....	Contrepoids.....	Gegengewicht.....	카운터웨이트.....	Contrapeso.....	4,2ton	
	VOE 14501373			1		Counterweight.....	Contrepoids.....	Gegengewicht.....	카운터웨이트.....	Contrapeso.....	4,9ton Long reach	
2	SA 1053-00071	4	4	4		Shim.....	Cale Reglage .....	Nachstellblech .....	심.....	Cuna de calzar.....	1,0 Thick	
3	SA 1053-00410	4	4	4		Shim.....	Cale Reglage .....	Nachstellblech .....	심.....	Cuna de calzar.....	2,0 Thick	
4	SA 1053-00361	4	4	4		Bolt.....	Boulon.....	Bolzen.....	볼트.....	Perno.....		
5	SA 1053-00431	4	4	4		Spacer.....	Partie Interme. ....	Zwischenstück .....	스페이서.....	Espaciador.....	10 Thick	
6	SA 1153-00810	2	2	2		Reflector.....	Catadioptré .....	Reflektor.....	리플렉터.....	Reflector.....		
7	SA 1153-00820	2	2	2		Plug.....	Bouchon.....	Stopfen .....	플러그.....	Tapon.....		
8	VOE 14512278	2	2	2		Plate.....	Plaque.....	Platte .....	플레이트.....	Placa.....		
9	SA 9021-10405	4	4	4		Screw.....	Vis.....	Schraube.....	스크류.....	Tornillo.....		

1	8277882	<b>Contrapesos</b> 카운터웨이트 <b>Gegengewicht</b> Contrepoids Counterweights	Catalogue id	Group
2	8277883		<b>56141</b>	<b>716</b>
3	8277884		Illustr. No	Section
4			<b>TA148</b>	<b>100</b>
5			Issue	Page
			<b>VOE 7414356141</b>	<b>227</b>

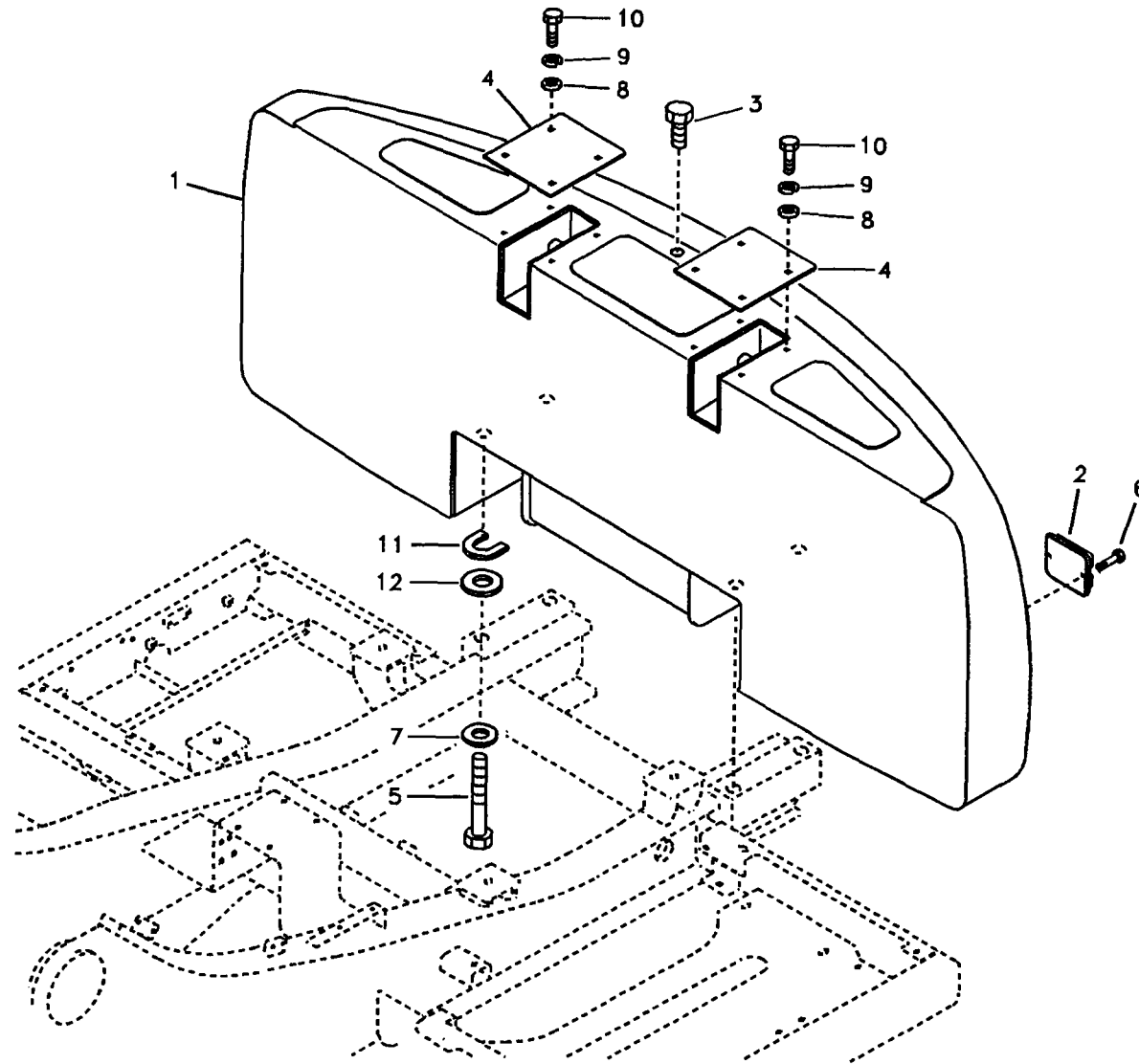


Fig.	Part No.	Quantity			P S	K I T	Description	Dénomination	Bezeichnung	품명	Denominación	Notes
		1	2	3								
1	VOE 14514698	1				Counterweight.....	Contrepoids.....	Gegengewicht.....	카운터웨이트.....	Contrapeso.....	3,7ton Fabrication	
	VOE 14514709		1			Counterweight.....	Contrepoids.....	Gegengewicht.....	카운터웨이트.....	Contrapeso.....	4,2ton Fabrication	
2	SA 1153-00810	2	2			Reflector.....	Catadioptré .....	Reflektor.....	리플렉터 .....	Reflector.....		
3	SA 9011-12406	1	1			Bolt.....	Boulon.....	Bolzen.....	볼트 .....	Perno.....		
4	VOE 14513523	2	2			Cover .....	Capot .....	Haube .....	커버 .....	Capo.....		
5	SA 9011-23028	4	4			Bolt.....	Boulon.....	Bolzen.....	볼트 .....	Perno.....		
6	SA 9021-10405	4	4			Screw .....	Vis .....	Schraube .....	스크류 .....	Tornillo.....		
7	SA 9211-30000	4	4			Washer.....	Rondelle.....	Scheibe .....	와셔 .....	Arandela.....		
8	VOE 955894	8	8	SS		Washer.....	Rondelle.....	Scheibe .....	와셔 .....	Arandela.....		
9	VOE 955921	8	8			Spring Washer .....	Rondelle ressort.....	Federscheibe.....	스프링 와셔 .....	Arandela resorte.....		
10	VOE 983242	8	8			Screw .....	Vis .....	Schraube .....	스크류 .....	Tornillo.....		
11	SA 1053-00071	4	4			Shim.....	Cale Reglage .....	Nachstellblech .....	심.....	Cuna de calzar.....	1,0 Thick	
12	SA 1053-00410	4	4			Shim.....	Cale Reglage .....	Nachstellblech .....	심.....	Cuna de calzar.....	2,0 Thick	

1	8278210	<b>Contrapesos</b> 카운터웨이트 <b>Gegengewicht</b> <b>Contrepoids</b> <b>Counterweights</b>	Catalogue id	Group
2	8278213		<b>56141</b>	<b>716</b>
3			Illustr. No	Section
4			<b>TA149</b>	<b>200</b>
5			Issue	Page
			<b>VOE 7414356141</b>	<b>229</b>

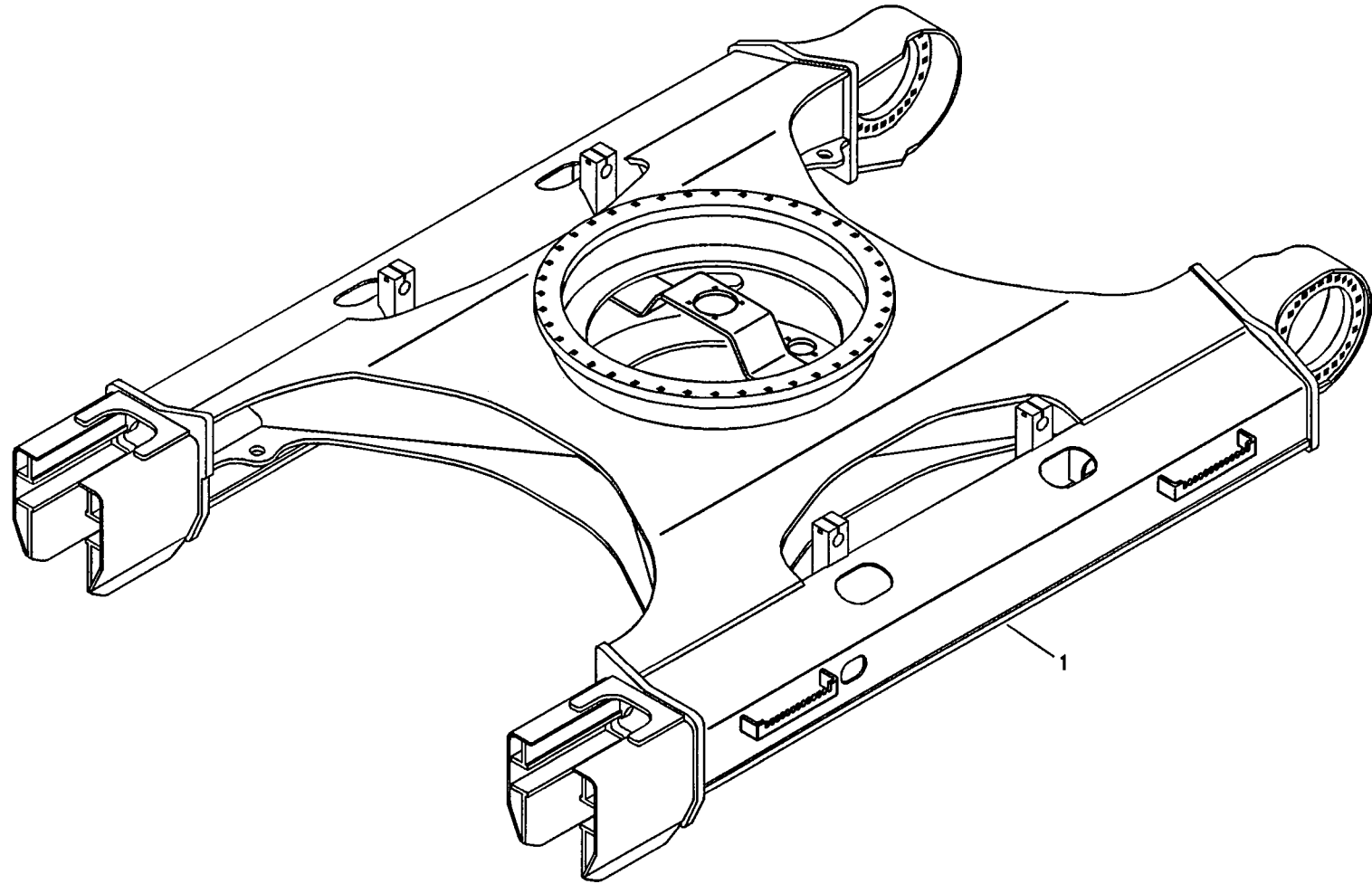


Fig.	Part No.	Quantity			P S	K I T	Description	Dénomination	Bezeichnung	품명	Denominación	Notes
		1	2	3								

1 VOE 14512657 1 Und Crg Frame ..... Chassis Train I ..... Unt.wagenrahmen .... 언더캐리지 프레임 ..... Bastidor Tren I.....

1	8277820	<b>Bastidor del carro inferior</b> 하부 프레임 <b>Laufwerksrahmen</b> <b>Cadre du chariot inférieur</b> <b>Undercarriage frame</b>	Catalogue id	Group
2			<b>56141</b>	<b>718</b>
3			Illustr. No	Section
4			<b>TA150</b>	<b>100</b>
5			Issue	Page
			<b>VOE 7414356141</b>	<b>231</b>



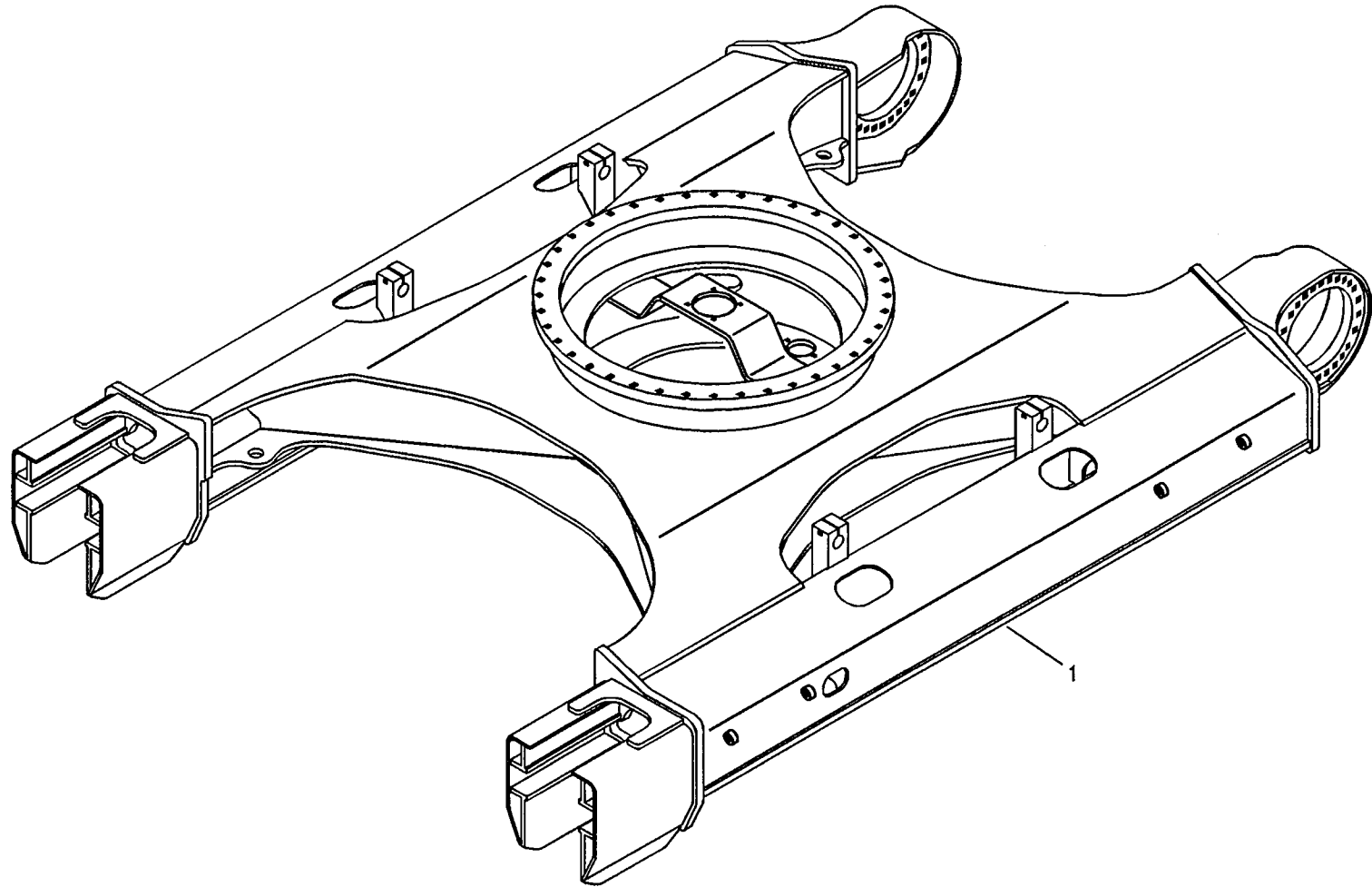


Fig.	Part No.	Quantity			P S	K I T	Description	Dénomination	Bezeichnung	품명	Denominación	Notes
		1	2	3								
1	VOE 14504526	1					Und Crg Frame .....	Chassis Train I.....	Unt.wagenrahmen ....	언더캐리지 프레임 .....	Bastidor Tren I.....	
	VOE 14507111		1				Frame.....	Chassis .....	Rahmen .....	프레임 .....	Bastidor.....	

1	8277821	<b>Bastidor del carro inferior</b> 하부 프레임 <b>Laufwerksrahmen</b> <b>Cadre du chariot inférieur</b> <b>Undercarriage frame</b>	Catalogue id	Group
2	8277822		<b>56141</b>	<b>718</b>
3			Illustr. No	Section
4			<b>TA151</b>	<b>200</b>
5			Issue	Page
			<b>VOE 7414356141</b>	<b>233</b>

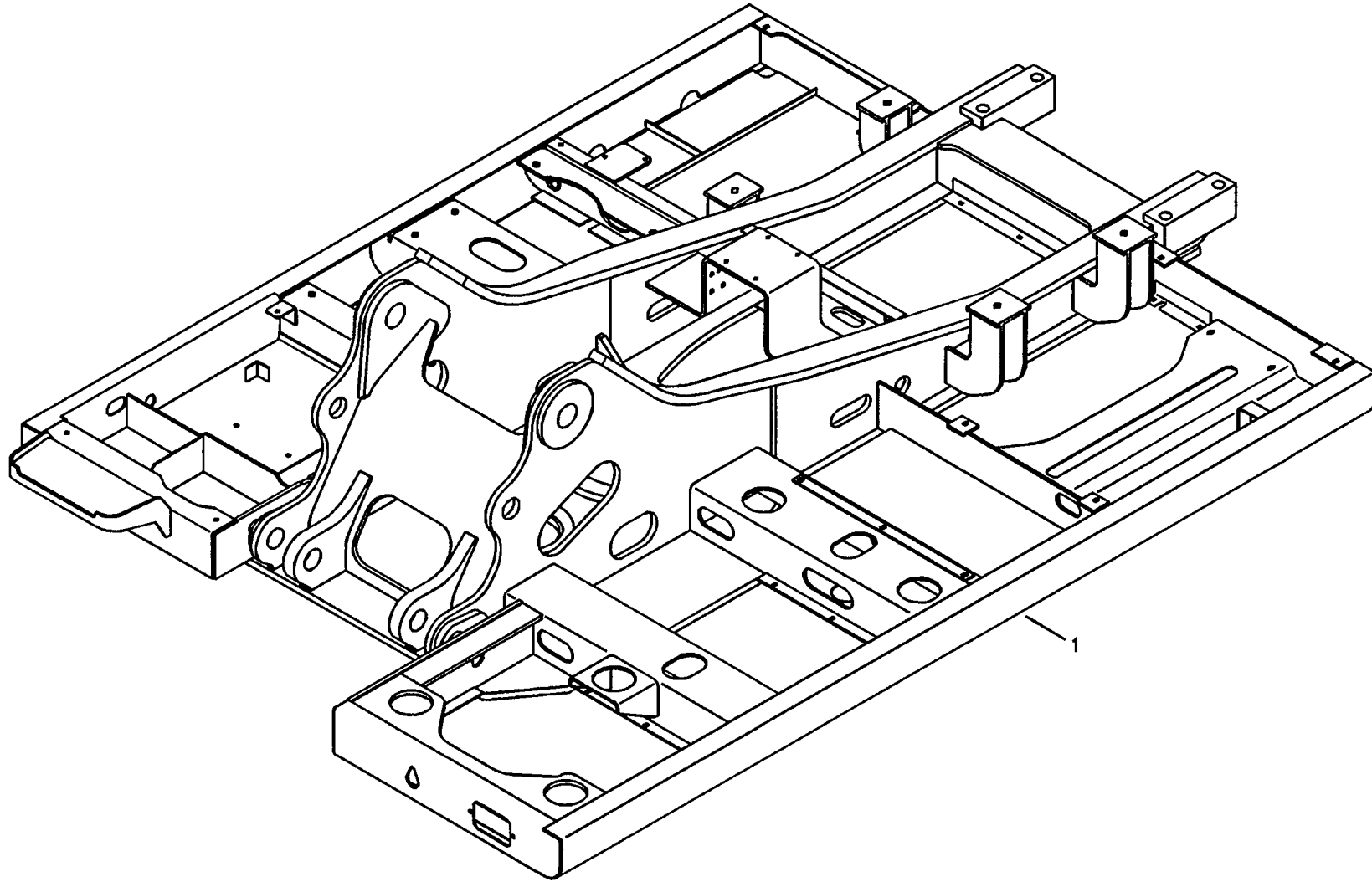


Fig.	Part No.	Quantity			P S	K I T	Description	Dénomination	Bezeichnung	품명	Denominación	Notes
		1	2	3								

1 VOE 14504843 1 Frame..... Chassis ..... Rahmen ..... 프레임 ..... Bastidor.....

1	8277784	<b>Bastidor de la superestructura</b> 상부 프레임 <b>Oberwagen</b> <b>Cadre supérieur</b> <b>Upper frame</b>	Catalogue id	Group
2			<b>56141</b>	<b>718</b>
3			Illustr. No	Section
4			<b>TA152</b>	<b>500</b>
5			Issue	Page
			<b>VOE 7414356141</b>	<b>235</b>

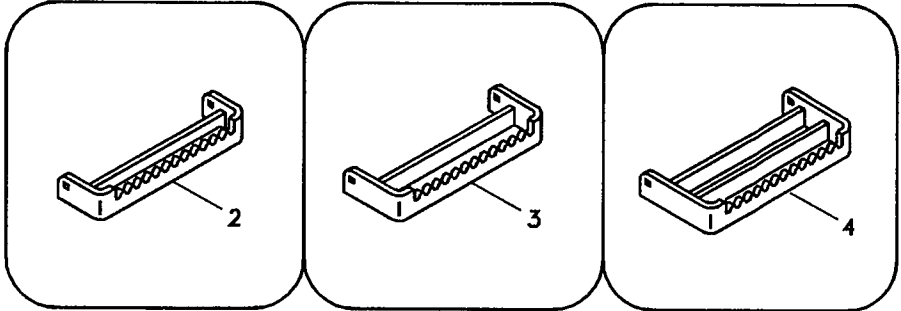
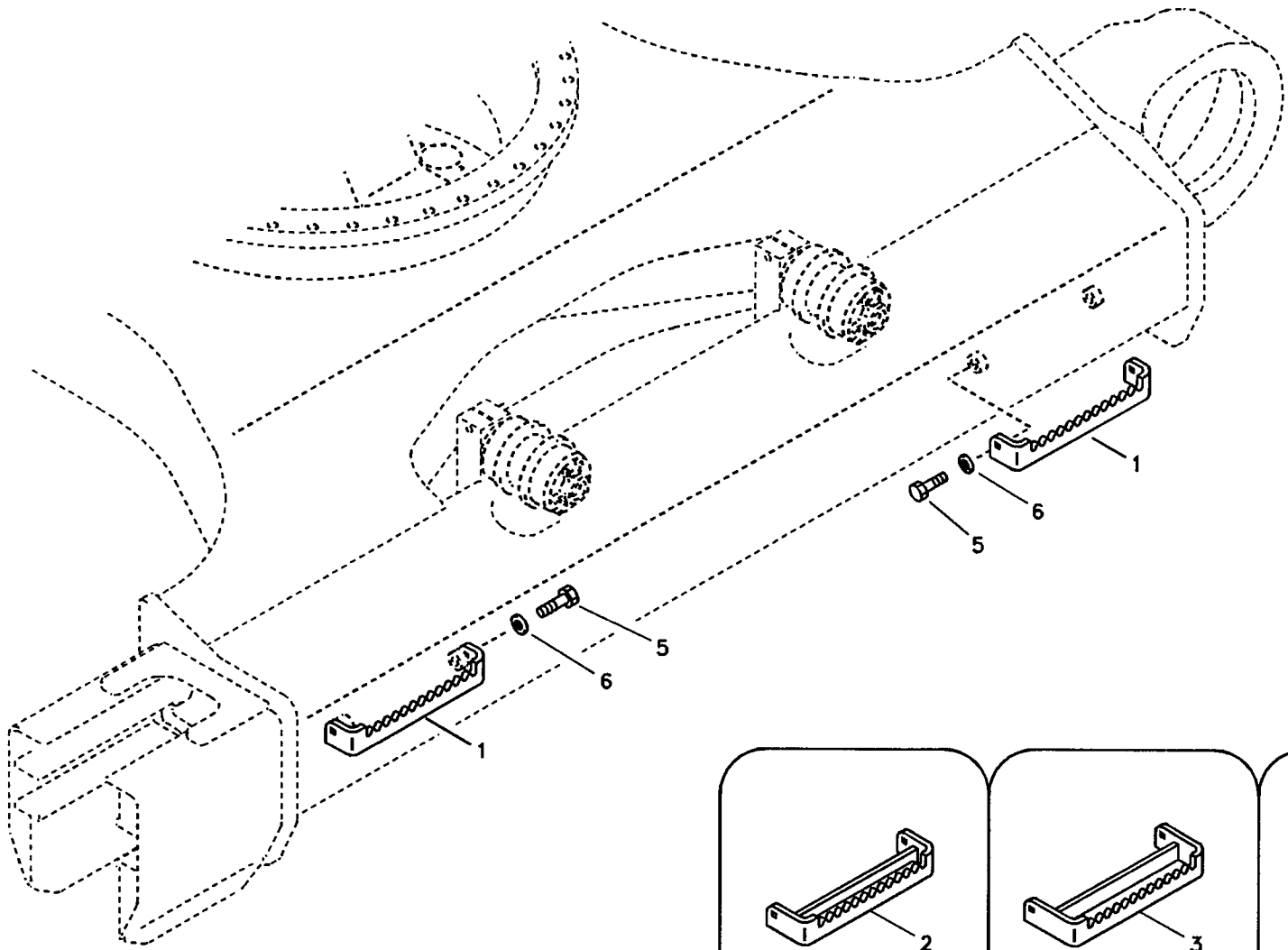


Fig.	Part No.	Quantity					P S	K I T	Description	Dénomination	Bezeichnung	품명	Denominación	Notes
		1	2	3	4	5								
1	VOE 14515579	4						Step .....	Marche Escalier.....	Treppenstufe .....	스텝 .....	Escalon.....	600mm Shoe	
2	SA 1165-00381		4					Step .....	Marche Escalier.....	Treppenstufe .....	스텝 .....	Escalon.....	700mm Shoe	
3	SA 1165-00391			4				Step .....	Marche Escalier.....	Treppenstufe .....	스텝 .....	Escalon.....	800mm Shoe	
4	SA 1165-00400				4			Step .....	Marche Escalier.....	Treppenstufe .....	스텝 .....	Escalon.....	900,910mm Shoe	
5	VOE 978938	8	8	8	8			Screw.....	Vis .....	Schraube .....	스크류.....	Tornillo.....		
6	SA 9211-16000	8	8	8	8			Washer .....	Rondelle .....	Scheibe .....	와셔 .....	Arandela.....		

1	8277726	Escalón de acceso 풋 스텝 Trittleiter Marche-pied Foot step	Catalogue id	Group
2	8277727		<b>56141</b>	<b>718</b>
3	8277758		Illustr. No	Section
4	8277759		<b>TA153</b>	<b>700</b>
5			Issue	Page
			<b>VOE 7414356141</b>	<b>237</b>

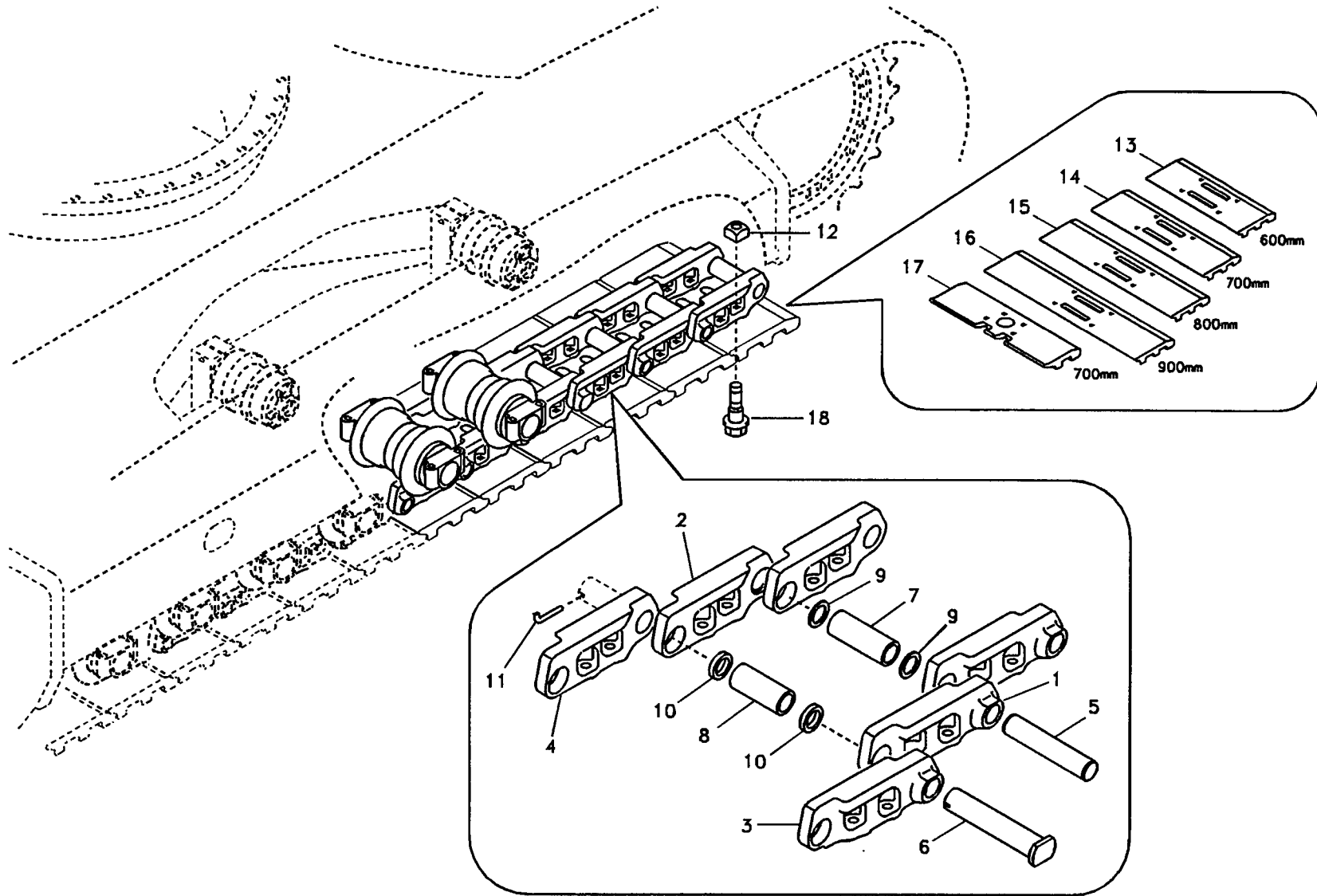


Fig.	Part No.	Quantity					P S	K I T	Description	Dénomination	Bezeichnung	품명	Denominación	Notes
		1	2	3	4	5								
	SA 1182-00011	2	2	2	2	2		Link .....	Articulation .....	Gelenk.....	링크 .....	Articulacion.....		
1	SA 1182-00020	48	48	48	48	48		•Link.....	•Articulation .....	•Gelenk .....	•링크 .....	•Articulacion.....	RH,Regular	
2	SA 1182-00030	48	48	48	48	48		•Link.....	•Articulation .....	•Gelenk .....	•링크 .....	•Articulacion.....	LH,Regular	
3	SA 1182-00100	1	1	1	1	1		•Link.....	•Articulation .....	•Gelenk .....	•링크 .....	•Articulacion.....	LH,Master	
4	SA 1182-00110	1	1	1	1	1		•Link.....	•Articulation .....	•Gelenk .....	•링크 .....	•Articulacion.....	RH,Master	
5	VOE 14515724	48	48	48	48	48		•Pin .....	•Goupille .....	•Zapfen .....	•핀 .....	•Pasador.....	Regular	
6	SA 1182-00050	1	1	1	1	1		•Pin .....	•Fiche .....	•Stecker .....	•핀 .....	•Ficha.....	Master	
7	SA 1182-00061	48	48	48	48	48		•Bushing .....	•Bague.....	•Buchse.....	•부싱 .....	•Casquillo.....	Regular	
8	SA 1182-00070	1	1	1	1	1		•Bushing .....	•Bague.....	•Buchse.....	•부싱 .....	•Casquillo.....	Master	
9	SA 1182-00330	96	96	96	96	96		•Seal .....	•Plomb.....	•Plombe.....	•시일 .....	•Plomo.....		
10	SA 1182-00350	2	2	2	2	2		•Spacer .....	•Entretoise.....	•Abstandstueck .....	•스페이서 .....	•Casquillo distanci..		
11	SA 1082-02330	1	1	1	1	1		•Pin .....	•Goupille .....	•Zapfen .....	•핀 .....	•Pasador.....		
12	SA 9112-12501	392	392	392	392	392		Nut .....	Ecrou .....	Mutter.....	너트 .....	Tuerca.....		
13	VOE 14506689	98						Track Shoe .....	Tuile chenilles.....	Bodenplatte .....	트랙 슈 .....	Placa De Orugas....	600mm, Triple grouser	
14	SA 1082-02390		98					Track Shoe .....	Tuile chenilles.....	Bodenplatte .....	트랙 슈 .....	Placa De Orugas....	700mm, Triple grouser	
15	SA 1082-02410			98				Track Shoe .....	Tuile chenilles.....	Bodenplatte .....	트랙 슈 .....	Placa De Orugas....	800mm, Triple grouser	
16	SA 1082-02420				98			Track Shoe .....	Tuile chenilles.....	Bodenplatte .....	트랙 슈 .....	Placa De Orugas....	900mm, Triple grouser	
17	VOE 14513096					98		Track Shoe .....	Tuile chenilles.....	Bodenplatte .....	트랙 슈 .....	Placa De Orugas....	700mm, Double grouser	
18	SA 9012-52514	392	392	392	392	392		Bolt.....	Boulon .....	Bolzen .....	볼트 .....	Perno.....		

1	8277135	<b>Cadena de oruga</b> 트랙 체인 <b>Raupenkette</b> <b>Chaîne de chenille</b> Track chain	Catalogue id	Group
2	8277641		<b>56141</b>	<b>775</b>
3	8277642		Illustr. No	Section
4	8277643		<b>TA154</b>	<b>100</b>
5	8277911		Issue	Page
			<b>VOE 7414356141</b>	<b>239</b>



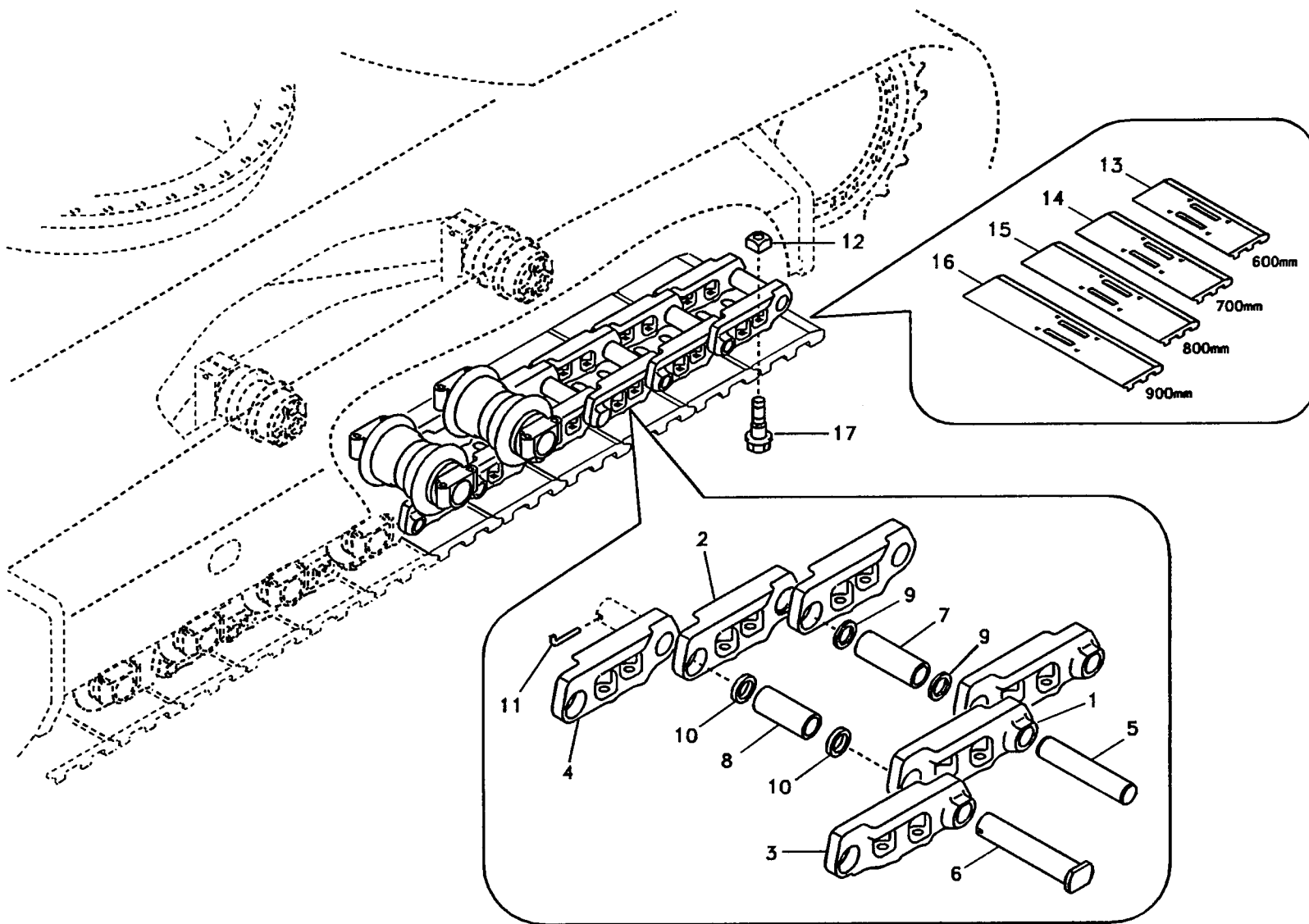


Fig.	Part No.	Quantity					P S	K I T	Description	Dénomination	Bezeichnung	품명	Denominación	Notes
		1	2	3	4	5								
	SA 1182-00421	2	2	2	2			Link .....	Articulation .....	Gelenk .....	링크 .....	Articulacion.....		
1	SA 1182-00020	45	45	45	45			•Link .....	•Articulation .....	•Gelenk .....	• 링크 .....	•Articulacion.....	LH,Regular	
2	SA 1182-00030	45	45	45	45			•Link .....	•Articulation .....	•Gelenk .....	• 링크 .....	•Articulacion.....	RH,Regular	
3	SA 1182-00100	1	1	1	1			•Link .....	•Articulation .....	•Gelenk .....	• 링크 .....	•Articulacion.....	LH,Master	
4	SA 1182-00110	1	1	1	1			•Link .....	•Articulation .....	•Gelenk .....	• 링크 .....	•Articulacion.....	RH,Master	
5	VOE 14515724	45	45	45	45			•Pin .....	•Goupille.....	•Zapfen .....	• 핀 .....	•Pasador.....	Regular	
6	SA 1182-00050	1	1	1	1			•Pin .....	•Fiche .....	•Stecker .....	• 핀 .....	•Ficha.....	Master	
7	SA 1182-00061	45	45	45	45			•Bushing .....	•Bague.....	•Buchse.....	• 부싱 .....	•Casquilla.....	Regular	
8	SA 1182-00070	1	1	1	1			•Bushing .....	•Bague.....	•Buchse.....	• 부싱 .....	•Casquilla.....	Master	
9	SA 1182-00330	90	90	90	90			•Seal .....	•Plomb .....	•Plombe .....	• 시일 .....	•Plomo.....		
10	SA 1182-00350	2	2	2	2			•Spacer .....	•Entretoise.....	•Abstandstueck .....	• 스페이서 .....	•Casquillo distanci..		
11	SA 1082-02330	1	1	1	1			•Pin .....	•Goupille.....	•Zapfen .....	• 핀 .....	•Pasador.....		
12	SA 9112-12501	368	368	368	368			Nut .....	Ecrou .....	Mutter .....	너트 .....	Tuerca.....		
13	VOE 14506689	92						Track Shoe .....	Tuile chenilles.....	Bodenplatte .....	트랙 슈 .....	Placa De Orugas....	600mm, Triple grouser	
14	SA 1082-02390		92					Track Shoe .....	Tuile chenilles.....	Bodenplatte .....	트랙 슈 .....	Placa De Orugas....	700mm, Triple grouser	
15	SA 1082-02410			92				Track Shoe .....	Tuile chenilles.....	Bodenplatte .....	트랙 슈 .....	Placa De Orugas....	800mm, Triple grouser	
16	SA 1082-02420				92			Track Shoe .....	Tuile chenilles.....	Bodenplatte .....	트랙 슈 .....	Placa De Orugas....	900mm, Triple grouser	
17	SA 9012-52511	368	368	368	368			Bolt.....	Boulon .....	Bolzen .....	볼트 .....	Perno.....		

1	8277810	<b>Cadena de oruga</b> <b>트랙 체인</b> <b>Raupenkette</b> <b>Chaîne de chenille</b> <b>Track chain</b>	Catalogue id	Group
2	8277811		<b>56141</b>	<b>775</b>
3	8277812		Illustr. No	Section
4	8277813		<b>TA155</b>	<b>200</b>
5			Issue	Page
			<b>VOE 7414356141</b>	<b>241</b>

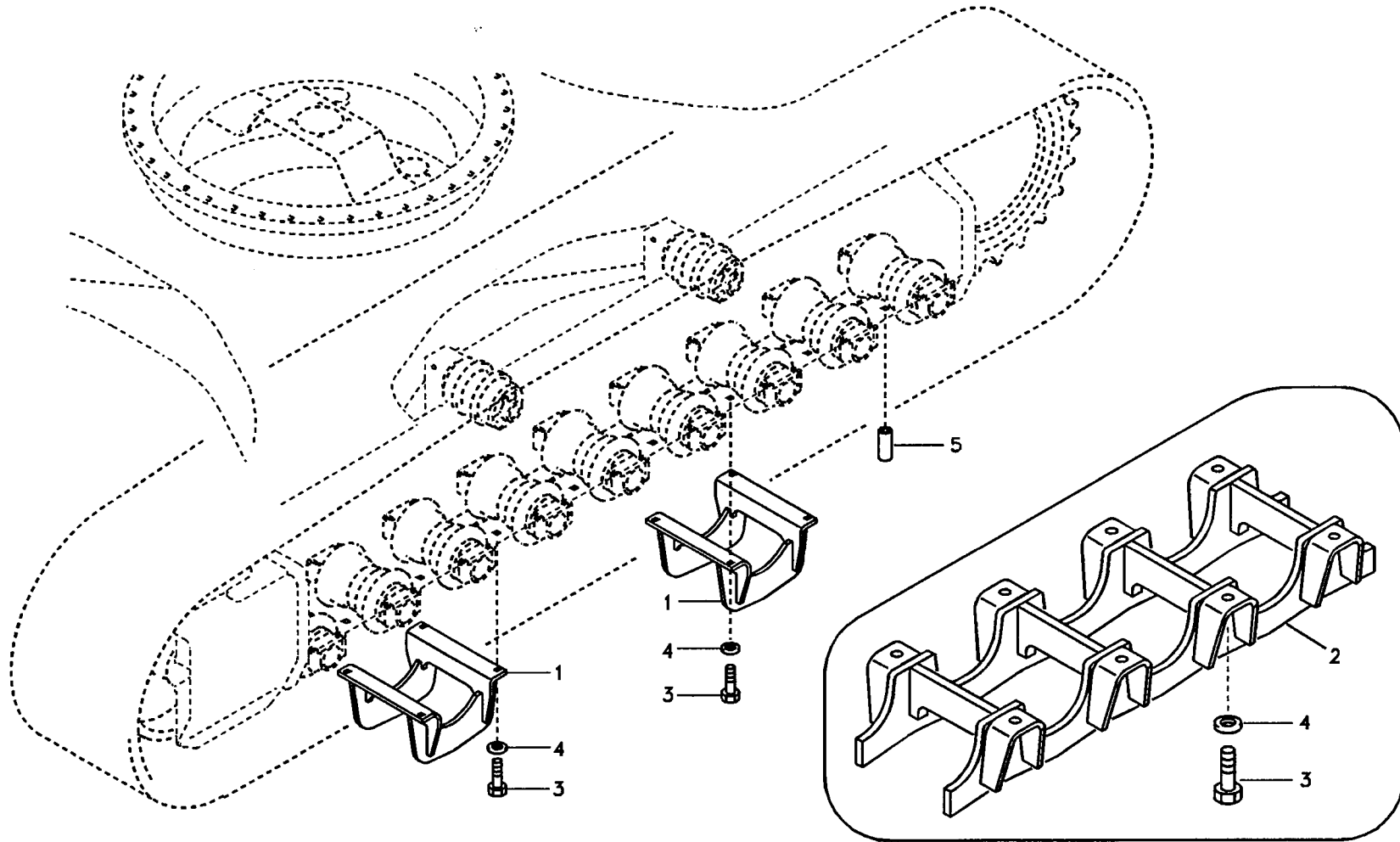


Fig.	Part No.	Quantity			P S	K I T	Description	Dénomination	Bezeichnung	품명	Denominación	Notes
		1	2	3								
1	SA 1181-00061	4				Guard .....	Protection .....	Schutz.....	가드 .....	Proteccion.....		
2	VOE 14505266		4			Guard .....	Protection .....	Schutz.....	가드 .....	Proteccion.....		
3	SA 9011-11609	16	32			Bolt.....	Boulon.....	Bolzen.....	볼트 .....	Perno.....		
4	SA 9211-16000	16	32			Washer.....	Rondelle.....	Scheibe.....	와셔 .....	Arandela.....		
5		16			NS	Plug.....	Bouchon.....	Stopfen .....	플러그 .....	Tapon.....		

1	8277646	<b>Carro inferior, proteccion orugas</b> 언더캐리지 , 트랙 가드 <b>Unterwagen, Raupenschutz</b> <b>Chariot inférieur, protection a chenilles</b> <b>Undercarriage, Track Guards</b>	Catalogue id	Group
2	8277648		<b>56141</b>	<b>775</b>
3			Illustr. No	Section
4			<b>TA156</b>	<b>500</b>
5			Issue	Page
			<b>VOE 7414356141</b>	<b>243</b>

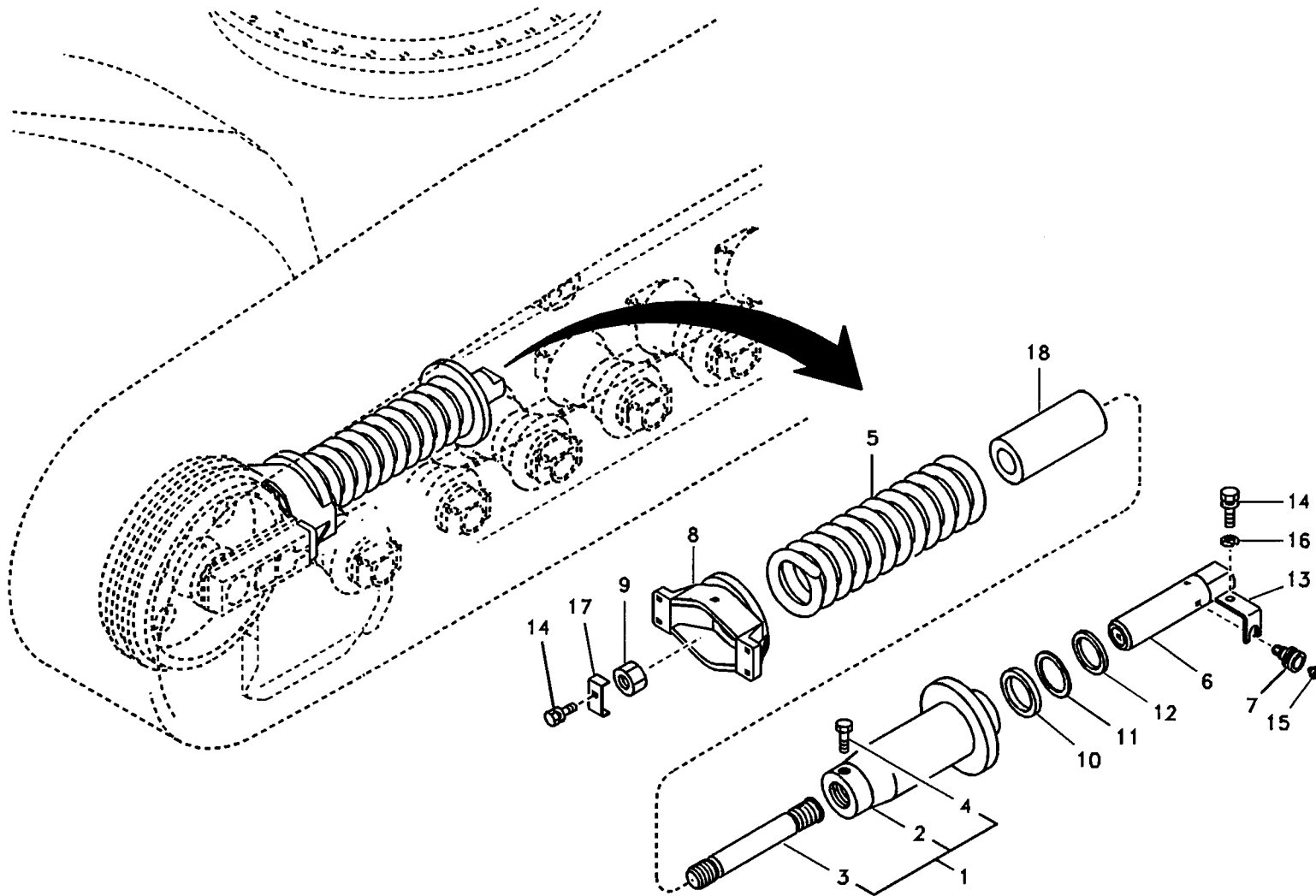


Fig.	Part No.	Quantity			P S	K I T	Description	Dénomination	Bezeichnung	품명	Denominación	Notes
		1	2	3								
	SA 1181-00042	2					Recoil Spring.....	Ressort Rappel .....	Ruckzugsfeder.....	리코일 스프링 .....	Muelle Retroc.....	
1		1			NS		•Body .....	•Carcasse.....	•Rumpf .....	• 본체 .....	•Cuerpo.....	
2	SA 1181-00141	1					••Body .....	••Carcasse .....	••Rumpf.....	•• 본체 .....	••Cuerpo.....	
3	SA 1181-00931	1					••Rod.....	••Monture .....	••Fuhler .....	•• 로드 .....	••Varilla.....	
4	VOE 983251	1					••Screw .....	••Vis.....	••Schraube .....	•• 스크류 .....	••Tornillo.....	
5	SA 1181-00170	1					•Recoil Spring .....	•Ressort Rappel .....	•Ruckzugsfeder.....	• 리코일 스프링 .....	•Muelle Retroc.....	
6	SA 1081-00604	1					•Piston.....	•Piston.....	•Kolben.....	• 피스톤 .....	•Piston.....	
7	SA 8230-00990	1			SS		•Valve.....	•Soupape .....	•Ventil.....	• 밸브 .....	•Valvula.....	
8	SA 1181-00163	1					•Yoke .....	•Chape .....	•Joch .....	• 요크 .....	•Horquilla.....	
9	SA 1181-00262	1					•Nut .....	•Ecrou .....	•Mutter.....	• 너트 .....	•Tuerca.....	
10		1			NS K		•Packing.....	•Joint .....	•Dichtung.....	• 패킹 .....	•Empaquetadura.....	
11		1			NS K		•Ring .....	•Anneau .....	•Ring.....	• 링 .....	•Anillo.....	
12		1			NS K		•Seal .....	•Joint .....	•Dichtring.....	• 시일 .....	•Junta.....	
13	SA 1081-03240	1					•Plate .....	•Plaque.....	•Platte.....	• 플레이트 .....	•Placa.....	
14	VOE 983250	1					•Screw.....	•Vis.....	•Schraube.....	• 스크류 .....	•Tornillo.....	
15	SA 9481-11003	1					•Nipple .....	•Raccord .....	•Nippel.....	• 니플 .....	•Niple.....	
16	VOE 955922	1					•Spring Washer.....	•Rondelle ressort.....	•Federscheibe .....	• 스프링 와셔 .....	•Arandela resorte.....	
17	SA 1181-01050	1					•Plate .....	•Plaque.....	•Platte.....	• 플레이트 .....	•Placa.....	
18	SA 1181-01300	1					•Stop .....	•Arrêt.....	•Anschlag .....	• 스톱 .....	•Parada.....	
100	SA 8038-00010	1					Sealing Kit.....	Jeu Joints.....	Dichtungssatz .....	시일 킷 .....	Juego Retenes.....	

1	8277784	<b>Carro inferior, paquete de muelles</b> 언더캐리지 , 리코일 스프링 <b>Unterwagen, Federpaket</b> <b>Chariot inférieur, jeu de ressorts</b> <b>Undercarriage, Spring Package</b>	Catalogue id	Group
2			<b>56141</b>	<b>775</b>
3			Illustr. No	Section
4			<b>TA157</b>	<b>700</b>
5			Issue	Page
		<b>VOE 7414356141</b>	<b>245</b>	

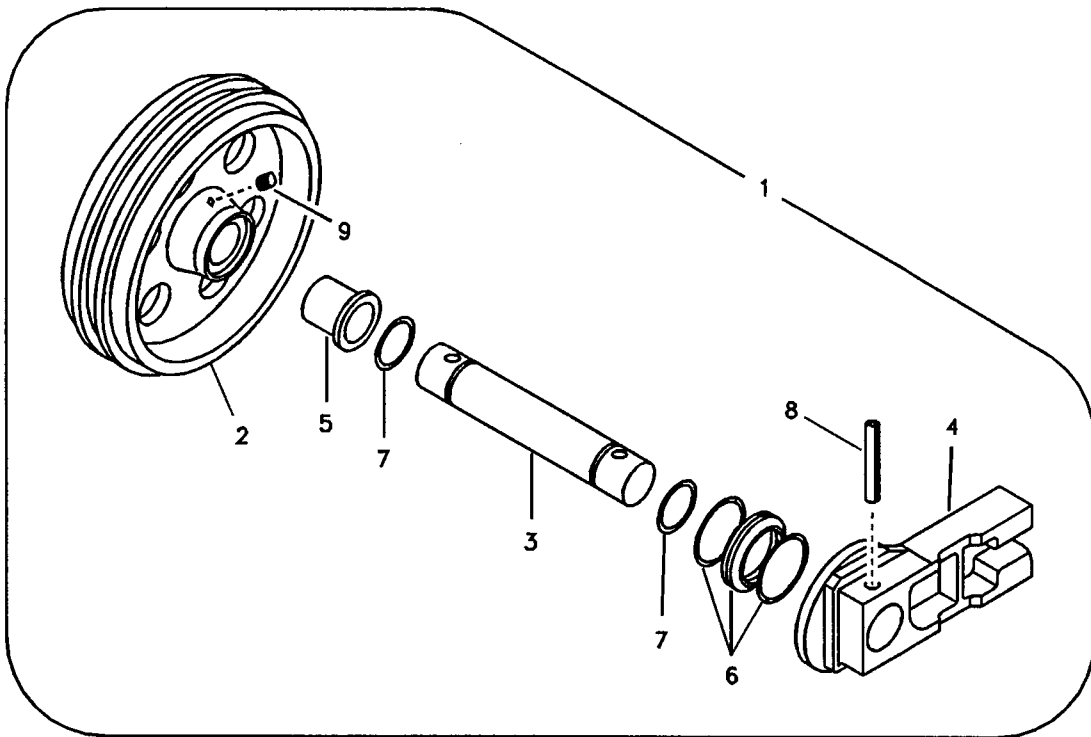
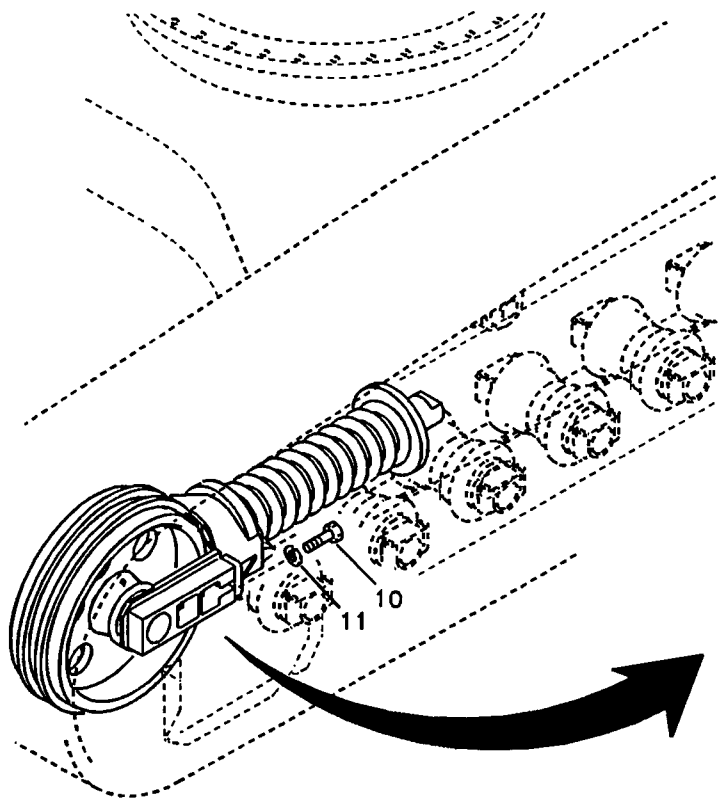


Fig.	Part No.	Quantity			P S	K I T	Description	Dénomination	Bezeichnung	품명	Denominación	Notes
		1	2	3								
1	SA 1181-00030	2				Idler .....	Pignon Fou.....	Vorgelegerad.....	아이들러 .....	Pinon Intermed.....		
2		1			NS	•Wheel .....	•Roue .....	•Rad .....	•휠 .....	•Rueda.....		
3	SA 1181-00090	1				•Shaft .....	•Levier Main .....	•Handstockhebel .....	•샤프트 .....	•Palanca.....		
4	SA 1181-00110	2				•Support .....	•Support .....	•Stütze.....	•서포트 .....	•Apoya.....		
5	SA 1181-00100	2				•Bushing.....	•Bague .....	•Buchse .....	•부싱 .....	•Casquillo.....		
6	SA 1181-00120	2				•Seal .....	•Plomb.....	•Plombe.....	•시일 .....	•Plomo.....		
7	SA 9511-22070	2				•O-ring.....	•Joint Torique .....	•O-ring.....	•오링 .....	•Junta torica.....		
8	SA 1081-00471	2				•Pin .....	•Goupille.....	•Zapfen.....	•핀 .....	•Pasador.....		
9	SA 1081-00300	1				•Plug .....	•Bouchon.....	•Stopfen .....	•플러그 .....	•Tapon.....		
10	VOE 1629544	8				Screw .....	Vis .....	Schraube .....	스크류 .....	Tornillo.....		
11	VOE 955926	8				Spring Washer .....	Rondelle ressort.....	Federscheibe.....	스프링 와셔 .....	Arandela resorte.....		

1	8277784	<b>Rueda loca delantera</b> 아이들러 <b>Vorderrad</b> <b>Pignon avant</b> <b>Front Idler</b>	Catalogue id	Group
2			<b>56141</b>	<b>775</b>
3			Illustr. No	Section
4			<b>TA158</b>	<b>800</b>
5			Issue	Page
		<b>VOE 7414356141</b>	<b>247</b>	



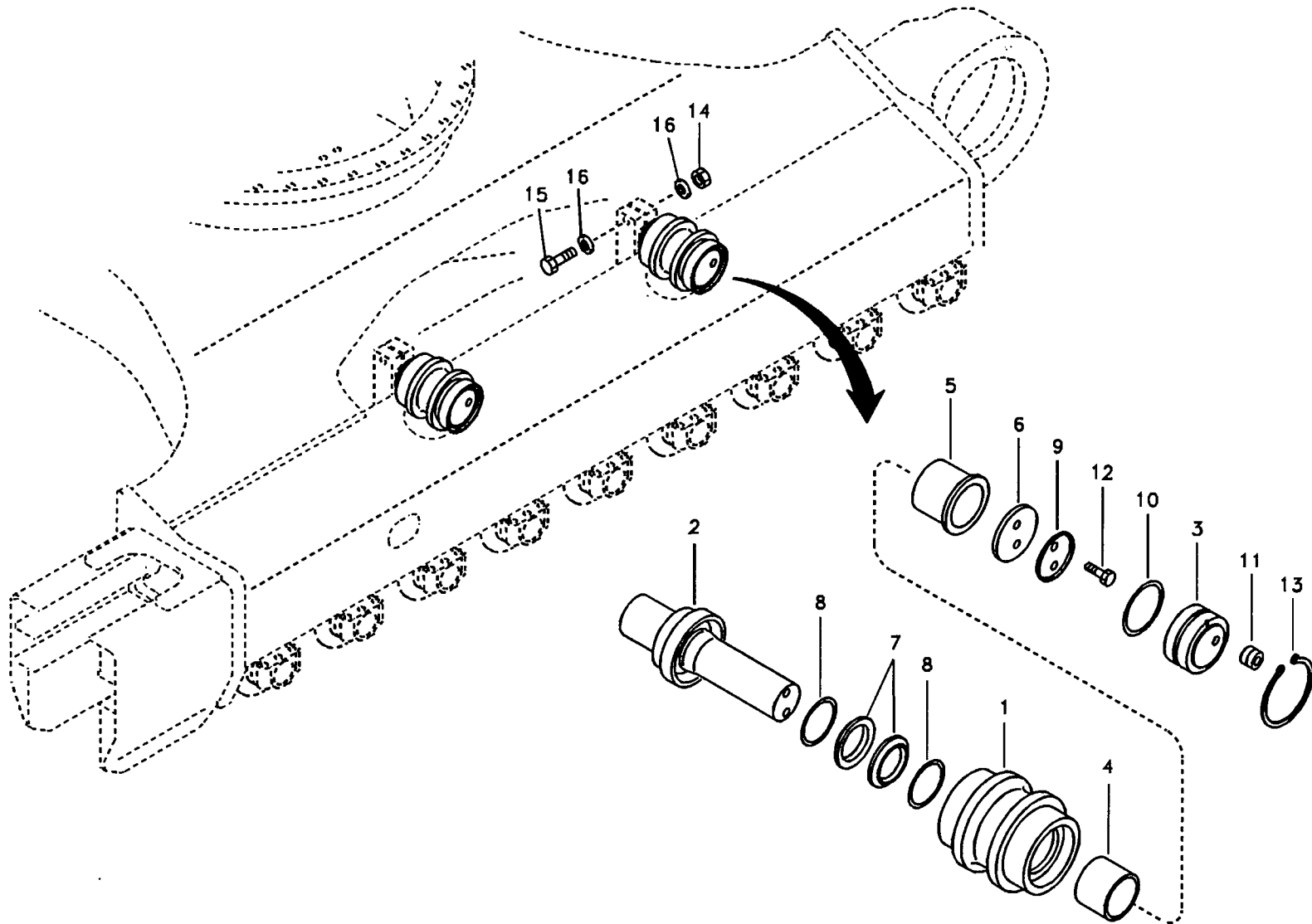


Fig.	Part No.	Quantity			P S	K I T	Description	Dénomination	Bezeichnung	품명	Denominación	Notes
		1	2	3								
	SA 1181-00020	4				Roller.....	Galet .....	Rolle .....	롤러 .....	Rodillo.....		
1		1			NS	•Shell.....	•Enveloppe.....	•Schale.....	•셸.....	•Casco.....		
2	SA 1181-00191	1				•Shaft .....	•Arbre .....	•Welle.....	•샤프트 .....	•Arbol.....		
3	SA 1181-00230	1				•Cover .....	•Capot .....	•Haube .....	•커버 .....	•Capo.....		
4	SA 1181-00200	1				•Bushing.....	•Bague .....	•Buchse.....	•부싱 .....	•Casquillo.....		
5	SA 1181-00350	1				•Bushing.....	•Bague .....	•Buchse.....	•부싱 .....	•Casquillo.....		
6	SA 1181-00240	1				•Plate .....	•Plaque.....	•Platte.....	•플레이트.....	•Placa.....		
7		2			NS K	•Seal .....	•Plomb.....	•Plombe.....	•시일 .....	•Plomo.....		
8		2			NS K	•O-ring.....	•Joint Torique.....	•O-ring.....	•오링 .....	•Junta torica.....		
9	SA 1081-00330	1				•Knob .....	•Bouton .....	•Knopf .....	•버튼 .....	•Boton.....		
10	SA 9511-22075	1				•O-ring.....	•Joint Torique.....	•O-ring.....	•오링 .....	•Junta torica.....		
11	SA 1081-00300	1				•Plug .....	•Bouchon.....	•Stopfen .....	•플러그 .....	•Tapon.....		
12	VOE 983251	2				•Screw .....	•Vis .....	•Schraube.....	•스크류 .....	•Tornillo.....		
13	SA 9541-02080	1				•Ring .....	•Anneau .....	•Ring.....	•링 .....	•Anillo.....		
14	VOE 979022	4				Nut .....	Ecrou.....	Mutter .....	너트 .....	Tuerca.....		
15	SA 9011-22020	4				Bolt.....	Boulon.....	Bolzen.....	볼트 .....	Perno.....		
16	SA 9211-20000	8				Washer.....	Rondelle.....	Scheibe.....	와셔 .....	Arandela.....		
100	SA 8250-00180	1				Sealing Kit.....	Jeu Joints.....	Dichtungssatz .....	시일 키트 .....	Juego Retenes.....		

1	8277652	<b>Rodillo superior</b> 상부 롤러 , 스키드 레일 <b>Tragrolle</b> <b>Rouleau supérieur</b> <b>Top roller</b>	Catalogue id	Group
2			<b>56141</b>	<b>775</b>
3			Illustr. No	Section
4			<b>TA159</b>	<b>900</b>
5			Issue	Page
			<b>VOE 7414356141</b>	<b>249</b>

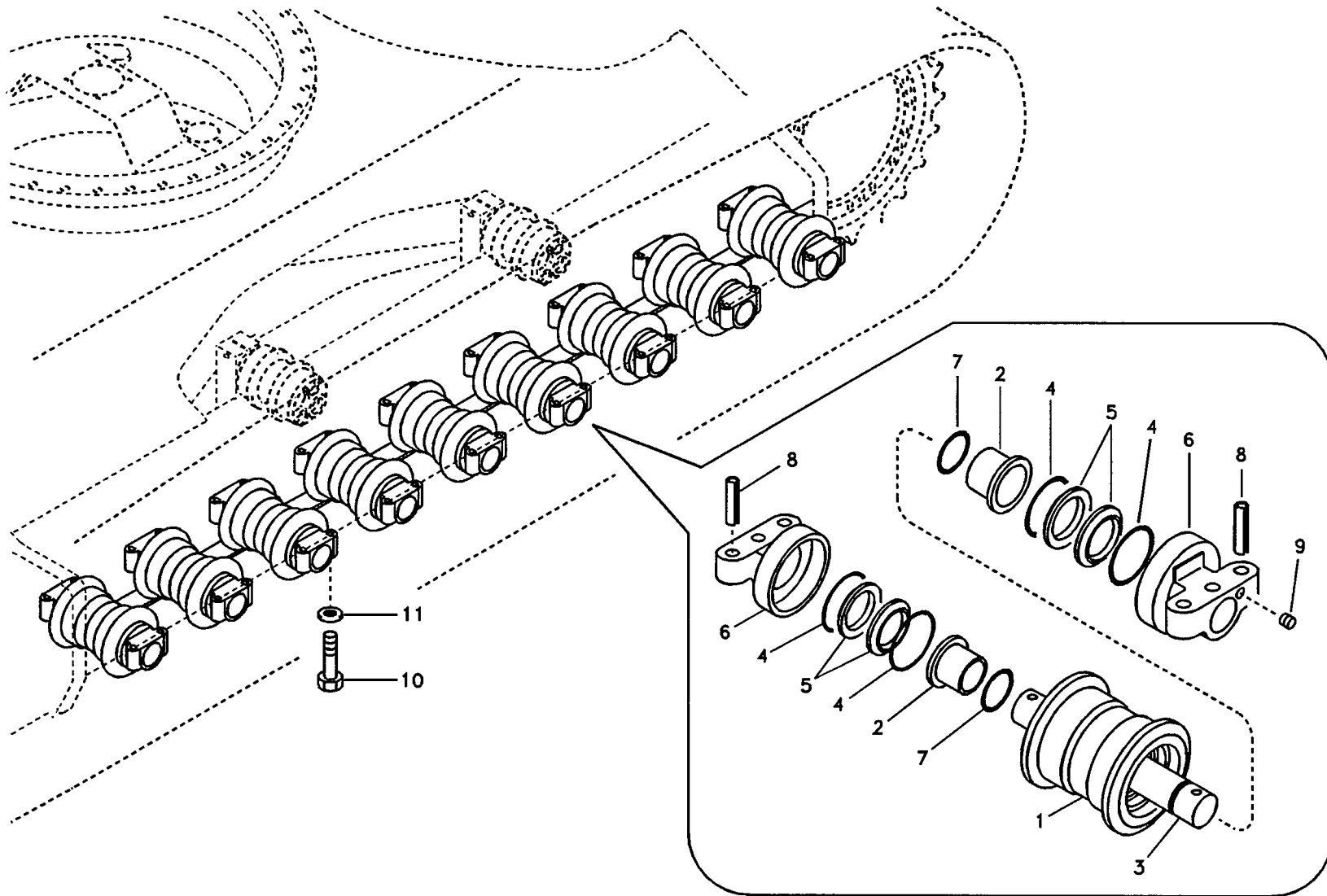


Fig.	Part No.	Quantity			P S	K I T	Description	Dénomination	Bezeichnung	품명	Denominación	Notes
		1	2	3								
	SA 1181-00010	18	18	14		Roller.....	Galet .....	Rolle .....	롤러 .....	Rodillo.....		
1		1	1	1	NS	•Roller .....	•Galet .....	•Rolle.....	•롤러 .....	•Rodillo.....		
2	SA 1181-00280	2	2	2		•Bushing.....	•Bague .....	•Buchse.....	•부싱 .....	•Casquillo.....		
3	SA 1181-00290	1	1	1		•Shaft .....	•Arbre .....	•Welle .....	•샤프트 .....	•Arbol.....		
4		4	4	4	NS K	•O-ring.....	•Joint Torique .....	•O-ring.....	•오링 .....	•Junta torica.....		
5		4	4	4	NS K	•Ring .....	•Anneau .....	•Ring.....	•링.....	•Anillo.....		
6	SA 1081-01191	2	2	2		•Support .....	•Support .....	•Stütze.....	•서포트 .....	•Apoya.....		
7	SA 1081-01070	2	2	2		•O-ring.....	•Joint Torique .....	•O-ring.....	•오링 .....	•Junta torica.....		
8	SA 1081-01051	2	2	2		•Pin .....	•Goupille.....	•Zapfen.....	•핀.....	•Pasador.....		
9	SA 1081-00300	1	1	1		•Plug .....	•Bouchon.....	•Stopfen .....	•플러그 .....	•Tapon.....		
10	VOE 978941	72	72	56		Screw .....	Vis .....	Schraube .....	스크류 .....	Tornillo.....		
11	SA 9211-16000	72	72	56		Washer.....	Rondelle.....	Scheibe .....	와셔 .....	Arandela.....		
100	SA 8038-00030	1	1	1		Sealing Kit.....	Jeu Joints.....	Dichtungssatz .....	시일 키트 .....	Juego Retenes.....		

1	8277820	<b>Rodillo inferior</b> 하부 롤러 <b>Laufrolle</b> <b>Rouleau inférieur</b> <b>Bottom roller</b>	Catalogue id	Group
2	8277821		<b>56141</b>	<b>775</b>
3	8277822		Illustr. No	Section
4			<b>TA160</b>	<b>1000</b>
5			Issue	Page
			<b>VOE 7414356141</b>	<b>251</b>

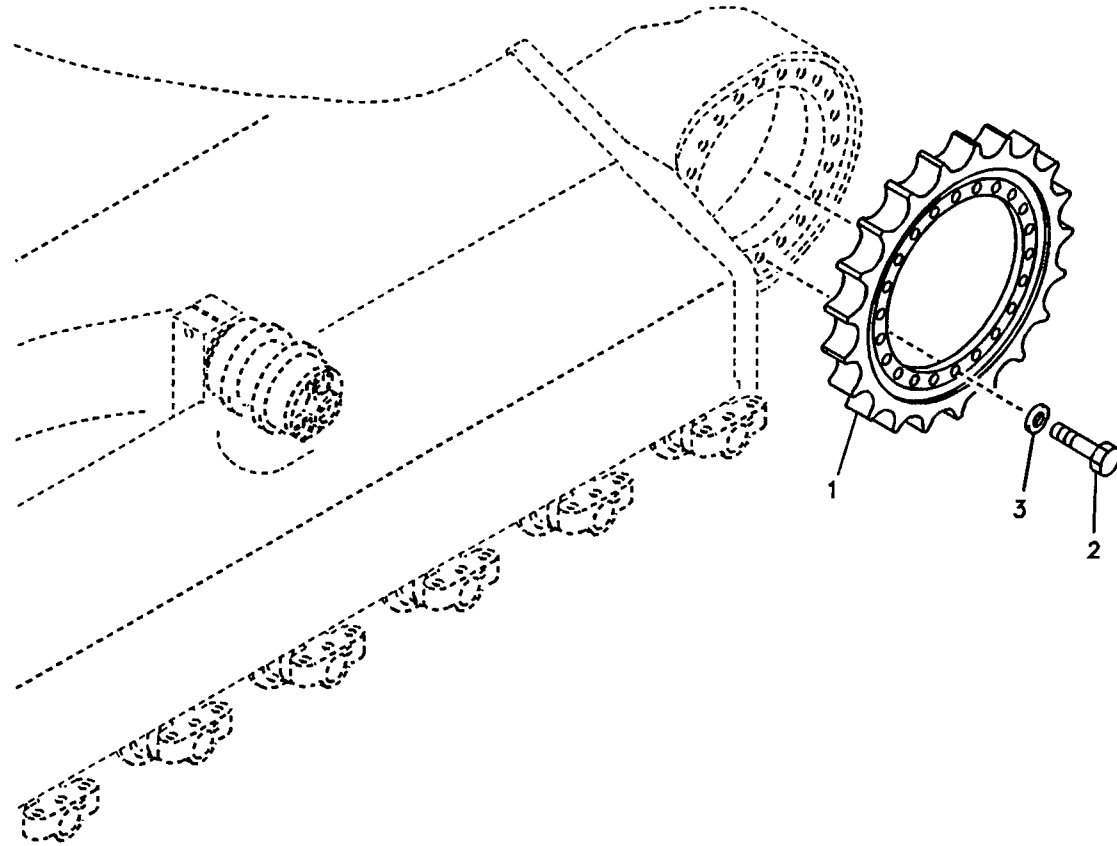


Fig.	Part No.	Quantity			P S	K I T	Description	Dénomination	Bezeichnung	품명	Denominación	Notes
		1	2	3								
1	SA 1181-00050	2				Sprocket.....	Barbotin.....	Kettenrad.....	스프로켓.....	Rueda de cadena.....		
2	VOE 978938	44				Screw.....	Vis.....	Schraube.....	스크류.....	Tornillo.....		
3	SA 9211-16000	44				Washer.....	Rondelle.....	Scheibe.....	와셔.....	Arandela.....		

1	8277784	<b>Engranaje cadena</b> 스프로켓 <b>Kettentrieb</b> <b>Pignon chaine</b> <b>Sprocket</b>	Catalogue id	Group
2			<b>56141</b>	<b>775</b>
3			Illustr. No	Section
4			<b>TA161</b>	<b>1200</b>
5			Issue	Page
			<b>VOE 7414356141</b>	<b>253</b>

**VOLVO**

**Volvo Construction  
Equipment**

GROUP		Section	Page	GROUP		Section	Page
810	Cab mount .....	100	261	875	Auxiliary Heater .....	100	339
810	Operator's cab.....	500	263	881	Instrument panel, control panel.....	100	343
810	Operator's cab.....	600	265	881	Instrument panel, radio panel.....	200	347
810	Operator's cab.....	700	269	891	Anti slip.....	100	349
810	Operator's cab.....	800	273	896	Tool .....	100	351
821	Cowl frame .....	100	275	896	Spare parts kit .....	200	355
821	Cowl frame, cover and hood .....	200	277	897	Decal, outer location .....	100	357
821	Door, side.....	300	281	897	Decal, inner location.....	200	359
821	Cover, main control valve .....	400	283	897	Decal, inner location.....	300	361
821	Cover, main pump.....	500	285				
827	Handrail.....	100	287				
827	Tool box, cowl.....	200	289				
830	Door, operator's cab.....	100	291				
837	Cabin floor.....	100	295				
837	Hatches under engine, hydr.pumps, cooler, m.valve and fuel tank. ..	200	297				
841	Rear view mirror.....	100	299				
843	Windows .....	100	301				
843	Windshield .....	200	303				
852	Operator seat with fitting parts .....	100	307				
860	Windshield protection.....	100	311				
860	Falling object guards.....	200	313				
860	Fops, protecting equipment .....	300	315				
860	Sun visor interior .....	400	317				
860	Sun Light Protection.....	500	319				
860	Rain visor, exterior equipment .....	600	321				
870	Air conditioning line, cooling and heater .....	100	323				
870	Air duct in cabin and cabin floor.....	200	327				
870	Air conditioning unit, cooling and heater .....	300	329				
874	Air conditioning unit line .....	100	331				
874	Air duct in cabin and cabin floor.....	200	335				
874	Cooling unit.....	300	337				

INDEX OF CONTENTS

Catalogue id	Group
<b>56141</b>	<b>800</b>
Issue	Page
VOE 7414356141	<b>255</b>



## TABLE DES MATIÈRES

Catalogue id <b>56141</b>	Group <b>800</b>
Issue <b>VOE 7414356141</b>	Page <b>256</b>

GROUPE	Section	Page	GROUPE	Section	Page		
810	Fixation de cabine .....	100	261	874	Unité de refroidissement .....	300	337
810	Cabine conducteur .....	500	263	875	Rechauffeur auxiliaire .....	100	339
810	Cabine conducteur .....	600	265	881	Panneau d'instruments, panneau de commande .....	100	343
810	Cabine conducteur .....	700	269	881	Panneau d'instruments, radio .....	200	347
810	Cabine conducteur .....	800	273	891	Anti glissement .....	100	349
821	Bâti .....	100	275	896	Outil .....	100	351
821	Cadre, couvercle et capot d'auvent .....	200	277	896	Kit pièce de rechange .....	200	355
821	Porte, latérale .....	300	281	897	Autocollant, extérieur .....	100	357
821	Capot, valve de commande principale .....	400	283	897	Autocollant, intérieur .....	200	359
821	Capot. pompe principal .....	500	285	897	Autocollant, intérieur .....	300	361
827	Main courante .....	100	287				
827	Boîte à outils, auvent .....	200	289				
830	Porte, cabine conducteur .....	100	291				
837	Plancher de cabine .....	100	295				
837	Trappes sous moteur, pompes hydr., radiateur, valves et réservoir carbura .....	200	297				
841	Rétroviseur .....	100	299				
843	Fenêtres .....	100	301				
843	Pare-brise .....	200	303				
852	Siège conducteur avec pièces de montage .....	100	307				
860	Protection pare-brise .....	100	311				
860	Équipement anti-chute .....	200	313				
860	Fops, équipement de protection .....	300	315				
860	Pare-soleil intérieur .....	400	317				
860	Pare-soleil .....	500	319				
860	Para-pluie, équipement extérieur .....	600	321				
870	Conduite de conditionnement d'air, refroidissement et chauffage .....	100	323				
870	Conduit d'air dans la cabine et dans le plancher de cabine .....	200	327				
870	Unité de conditionnement d'air, refroidissement et chauffage .....	300	329				
874	Unité de conditionnement d'air .....	100	331				
874	Conduit d'air dans la cabine et dans le plancher de cabine .....	200	335				

GRUPPE	Abschnitt	Seite	GRUPPE	Abschnitt	Seite		
810	Kabinenausstattung .....	100	261	875	Zusatzheizung.....	100	339
810	Fahrerkabine .....	500	263	881	Armaturenbrett, Bedientafel .....	100	343
810	Fahrerkabine .....	600	265	881	Armaturenbrett, Radio.....	200	347
810	Fahrerkabine .....	700	269	891	Antirutschmatte .....	100	349
810	Fahrerkabine .....	800	273	896	Werkzeug .....	100	351
821	Stativ .....	100	275	896	Ersatzteilsatz .....	200	355
821	Motorhaube, Rahmen und Abdeckung .....	200	277	897	Aufkleber, aussen .....	100	357
821	Tür, Seite .....	300	281	897	Aufkleber, innen .....	200	359
821	Haube, Steuerventilblock .....	400	283	897	Aufkleber, innen .....	300	361
821	Haube, Hauptpumpe .....	500	285				
827	Handgriff .....	100	287				
827	Werkzeugkasten, Haube.....	200	289				
830	Tür, Fahrerkabine .....	100	291				
837	Kabinenboden.....	100	295				
837	Luken unter Motor, Hyd.pumpen, Kühler, M.ventil und Tank.....	200	297				
841	Rückspiegel .....	100	299				
843	Fenster .....	100	301				
843	Frontscheibe .....	200	303				
852	Fahrersitz mit Anbauteilen .....	100	307				
860	Frontscheibenschutz .....	100	311				
860	Fallschutzrüstung .....	200	313				
860	Fops, Schutzrüstung .....	300	315				
860	Sonnenblende, innen .....	400	317				
860	Sonnenblende.....	500	319				
860	Regenschutz, aussen .....	600	321				
870	Leitungsrohr für Klimaanlage, Kühler und Heizung .....	100	323				
870	Luftkanal in Kabine und Kabinenboden .....	200	327				
870	Klimaanlage, Kühler und Heizung.....	300	329				
874	Klimaanlage, Leitung .....	100	331				
874	Luftkanal in Kabine und Kabinenboden .....	200	335				
874	Kühler.....	300	337				

INHALTSVERZEICHNIS

Catalogue id	Group
<b>56141</b>	<b>800</b>
Issue	Page
VOE 7414356141	<b>257</b>

목차		Catalogue id <b>56141</b>	Group <b>800</b>
		Issue <b>VOE 7414356141</b>	Page <b>258</b>
그룹	소분류 쪽번호	그룹	소분류 쪽번호

810 운전실 장착 부품 .....	100	261	875 보조 히터.....	100	339
810 운전실 .....	500	263	881 계기판, 제어 패널 .....	100	343
810 운전실 .....	600	265	881 계기판, 라디오 패널 .....	200	347
810 운전실 .....	700	269	891 미끄럼 방지 장치.....	100	349
810 운전실 .....	800	273	896 공구.....	100	351
821 카울 프레임 .....	100	275	896 스페어 파트 .....	200	355
821 카울 프레임, 커버 및 후드 .....	200	277	897 데칼, 외부.....	100	357
821 사이드 도어.....	300	281	897 데칼, 내부.....	200	359
821 커버, 제어밸브.....	400	283	897 데칼, 내부.....	300	361
821 커버, 메인 펌프 .....	500	285			
827 난간 .....	100	287			
827 공구 박스, 카울 .....	200	289			
830 운전실 도어.....	100	291			
837 운전실 플로어 .....	100	295			
837 보텀 커버 플레이트.....	200	297			
841 후사경 .....	100	299			
843 운전실 글라스 .....	100	301			
843 앞 유리창 .....	200	303			
852 운전석 및 장착 부품.....	100	307			
860 운전실 보호 가드 .....	100	311			
860 낙하물 보호장치; 포그 .....	200	313			
860 낙하물 보호장치; 폼스 .....	300	315			
860 선 바이저 .....	400	317			
860 선 라이트 보호판 .....	500	319			
860 레인 바이저 .....	600	321			
870 에어컨 유니트 배관, 쿨러 및 히터 겸용 .....	100	323			
870 에어 분기장치 .....	200	327			
870 에어컨 유니트, 쿨러 및 히터 겸용 .....	300	329			
874 에어컨 유니트 배관.....	100	331			
874 에어 분기장치 .....	200	335			
874 에어컨 .....	300	337			

GRUPO	Sección	Página	GRUPO	Sección	Página
810	Accesorio de cabina.....	100	261	875	Calefactor adicional..... 100 339
810	Cabina del conductor.....	500	263	881	Panel de instrumentos, panel de mandos..... 100 343
810	Cabina del conductor.....	600	265	881	Panel de instrumentos, panel de radio..... 200 347
810	Cabina del conductor.....	700	269	891	Antideslizante..... 100 349
810	Cabina del conductor.....	800	273	896	Herramienta..... 100 351
821	Bastidor.....	100	275	896	Kit recambios..... 200 355
821	Bastidor de capó, cubierta y capó.....	200	277	897	Pegatina, ubicación exterior..... 100 357
821	Puerta, lado.....	300	281	897	Pegatina, ubicación interior..... 200 359
821	Capo, válvula de control principal.....	400	283	897	Pegatina, ubicación interior..... 300 361
821	Capo, bomba principal.....	500	285		
827	Barandilla.....	100	287		
827	Caja de herramientas, capó.....	200	289		
830	Puerta, cabina.....	100	291		
837	Suelo de cabina.....	100	295		
837	Tapas bajo el motor, bombas hidr., enfriador, válvula p. y dep.....	200	297		
841	Espejo retrovisor.....	100	299		
843	Ventanas.....	100	301		
843	Parabrisas.....	200	303		
852	Asiento del conductor con piezas de montaje.....	100	307		
860	Protección del parabrisas.....	100	311		
860	Equipo de protección contra caídas.....	200	313		
860	Fops, equipo de protección.....	300	315		
860	Parasol interior.....	400	317		
860	Visera.....	500	319		
860	Visera para lluvia, equipo exterior.....	600	321		
870	Tubería de aire acondicionado, refrigeración y calefacción.....	100	323		
870	Conducto de aire en cabina y suelo de cabina.....	200	327		
870	Unidad de aire acondicionado, refrigeración y calefacción.....	300	329		
874	Tubería de unidad de aire acondicionado.....	100	331		
874	Conducto de aire en cabina y suelo de cabina.....	200	335		
874	Unidad de refrigeración.....	300	337		

INDICE

Catalogue id	Group
<b>56141</b>	<b>800</b>
Issue	Page
<b>VOE 7414356141</b>	<b>259</b>

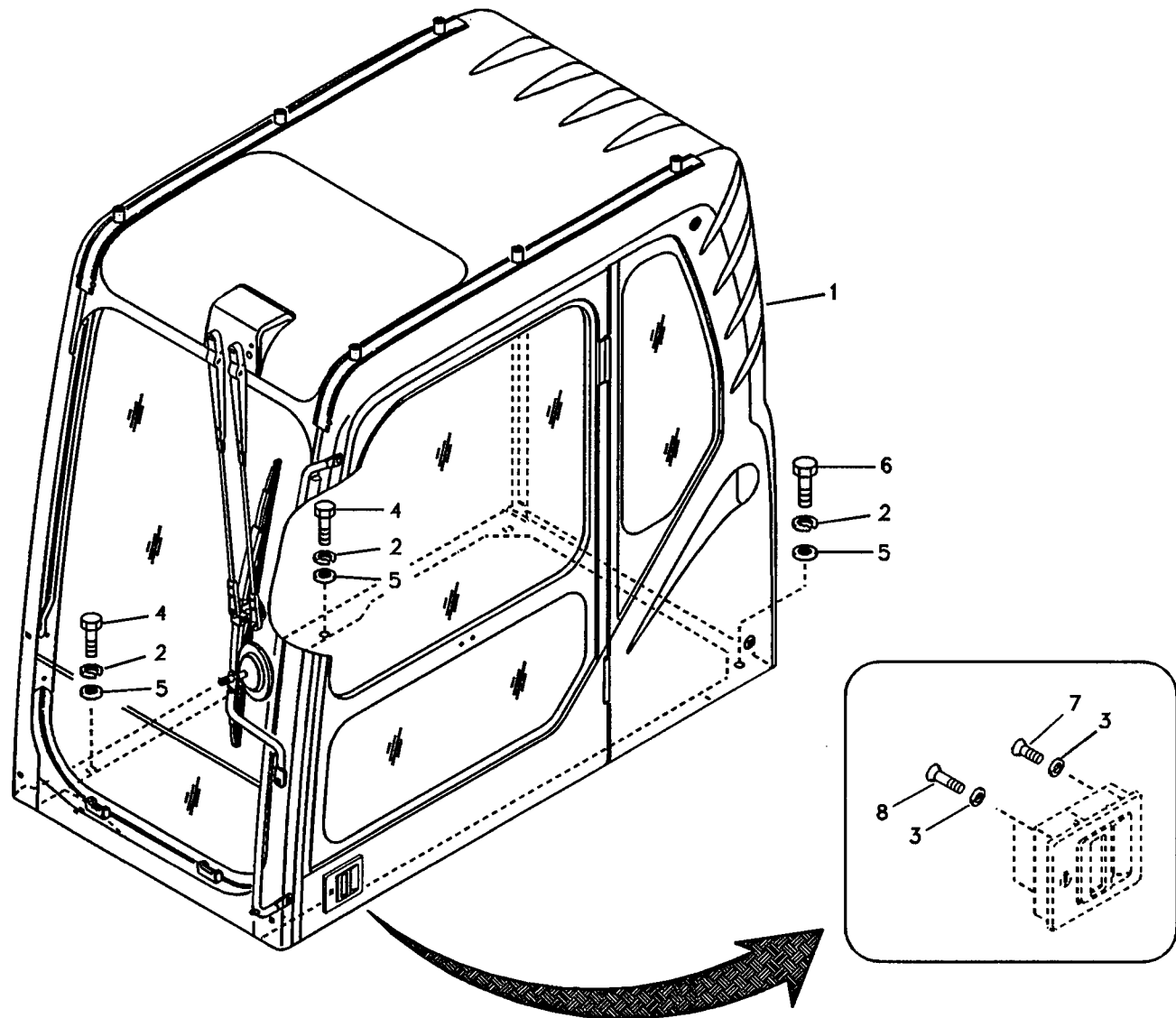


Fig.	Part No.	Quantity			P S	K I T	Description	Dénomination	Bezeichnung	품명	Denominación	Notes
		1	2	3								
1	VOE 14508496	1				Cab .....	Cabine.....	Kabine .....	운전실 .....	Cabina.....		
	VOE 14509810		1			Cab .....	Cabine.....	Kabine .....	운전실 .....	Cabina.....	With anti-theft	
2	VOE 955926	7	7			Spring Washer .....	Rondelle ressort.....	Federscheibe.....	스프링 와셔 .....	Arandela resorte.....		
3	VOE 955892	4	4			Washer.....	Rondelle .....	Scheibe .....	와셔 .....	Arandela.....		
4	SA 9011-11609	2	2			Bolt.....	Boulon.....	Bolzen.....	볼트 .....	Perno.....		
5	VOE 955900	7	7			Washer.....	Rondelle .....	Scheibe .....	와셔 .....	Arandela.....		
6	VOE 980465	5	5			Screw .....	Vis .....	Schraube .....	스크류 .....	Tornillo.....		
7	VOE 969422	2	2			Screw .....	Vis .....	Schraube .....	스크류 .....	Tornillo.....		
8	VOE 969587	2	2			6-pt Skt Screw.....	Vis Creuse 6 De.....	6-zahn Hohlschr .....	6 포인트 소켓 스크류 .....	Racor 6-dientes.....		

1	8277140	<b>Accesorio de cabina</b> 운전실 장착 부품 <b>Kabinenausstattung</b> <b>Fixation de cabine</b> <b>Cab mount</b>	Catalogue id	Group
2	8277142		<b>56141</b>	<b>810</b>
3			Illustr. No	Section
4			<b>TA162</b>	<b>100</b>
5			Issue	Page
		<b>VOE 7414356141</b>	<b>261</b>	

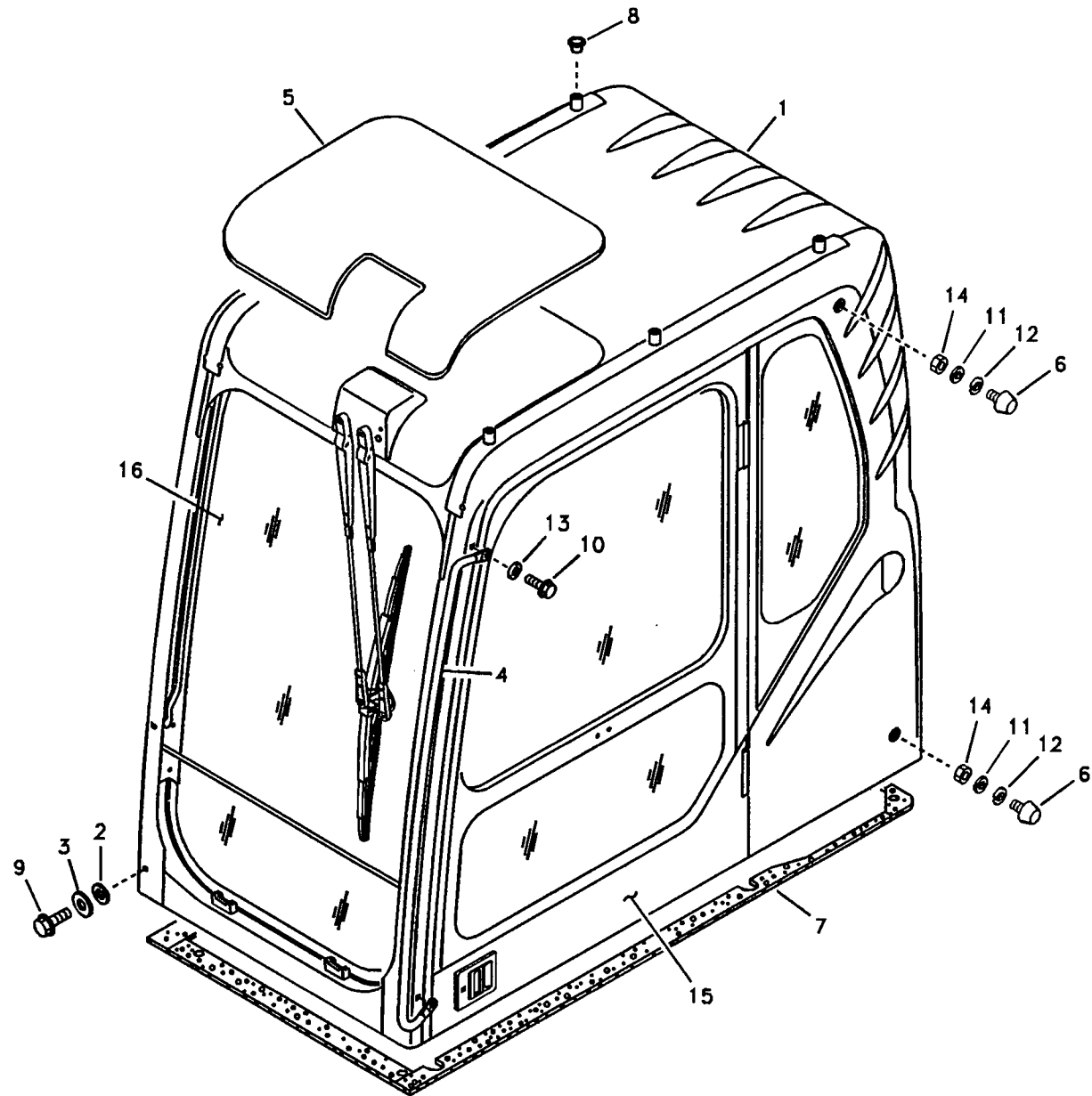


Fig.	Part No.	Quantity			P S	K I T	Description	Dénomination	Bezeichnung	품명	Denominación	Notes
		1	2	3								
1		1			NS	Cab .....	Cabine .....	Kabine .....	운전실 .....	Cabina.....		
			1		NS	Cab .....	Cabine.....	Kabine .....	운전실 .....	Cabina.....	Vandalism kit	
2	SA 1066-04930	4	4			•Washer .....	•Rondelle.....	•Scheibe .....	•와셔 .....	•Arandela.....		
3	SA 1066-05450	4	4			•Washer .....	•Rondelle.....	•Scheibe .....	•와셔 .....	•Arandela.....		
4	VOE 14506843	1	1			•Handle .....	•Poignee.....	•Handgriff .....	•핸들 .....	•Manilla.....		
5	VOE 14506848	1	1			•Glass .....	•Glace .....	•Scheibe .....	•글라스 .....	•Vidrio.....		
6	VOE 14508024	2	2			•Bumper .....	•Pare-chocs.....	•Stoßfänger.....	•범퍼 .....	•Parachoques.....		
7	VOE 14511005	1	1			•Sponge .....	•Eponge .....	•Schwamm .....	•스폰지 .....	•Esponja.....		
8	VOE 14514654	6	6			•Plug .....	•Bouchon.....	•Stopfen .....	•플러그 .....	•Tapon.....		
9	VOE 946329	4	4			•Flange Screw.....	•Vis A Bride.....	•Flanschschraube.....	•플랜지 스크류 .....	•Torn Embridado.....		
10	VOE 946441	2	2			•Flange Screw.....	•Vis A Bride.....	•Flanschschraube.....	•플랜지 스크류 .....	•Torn Embridado.....		
11	VOE 955894	2	2	SS		•Washer .....	•Rondelle.....	•Scheibe .....	•와셔 .....	•Arandela.....		
12	VOE 955921	2	2			•Spring Washer.....	•Rondelle ressort.....	•Federscheibe .....	•스프링 와셔 .....	•Arandela resorte.....		
13	VOE 960148	2	2	SS		•Washer .....	•Rondelle.....	•Scheibe .....	•와셔 .....	•Arandela.....		
14	VOE 983303	2	2			•Nut .....	•Ecrou .....	•Mutter.....	•너트 .....	•Tuerca.....		
15	VOE 14517121	1	1			•Door .....	•Porte .....	•Tür.....	•도어 .....	•Puerta.....	See group 830, Page 291	
16	VOE 14506805	1	1			•Shield.....	•Tole-ecran.....	•Schirmblech .....	•실드 .....	•Placa Guardab.....	See group 843, Page 303	

1	8277140	<b>Cabina del conductor</b> 운전실 <b>Fahrerkabine</b> <b>Cabine conducteur</b> <b>Operator's cab</b>	Catalogue id	Group
2	8277142		<b>56141</b>	<b>810</b>
3			Illustr. No	Section
4			<b>TA163</b>	<b>500</b>
5			Issue	Page
			<b>VOE 7414356141</b>	<b>263</b>



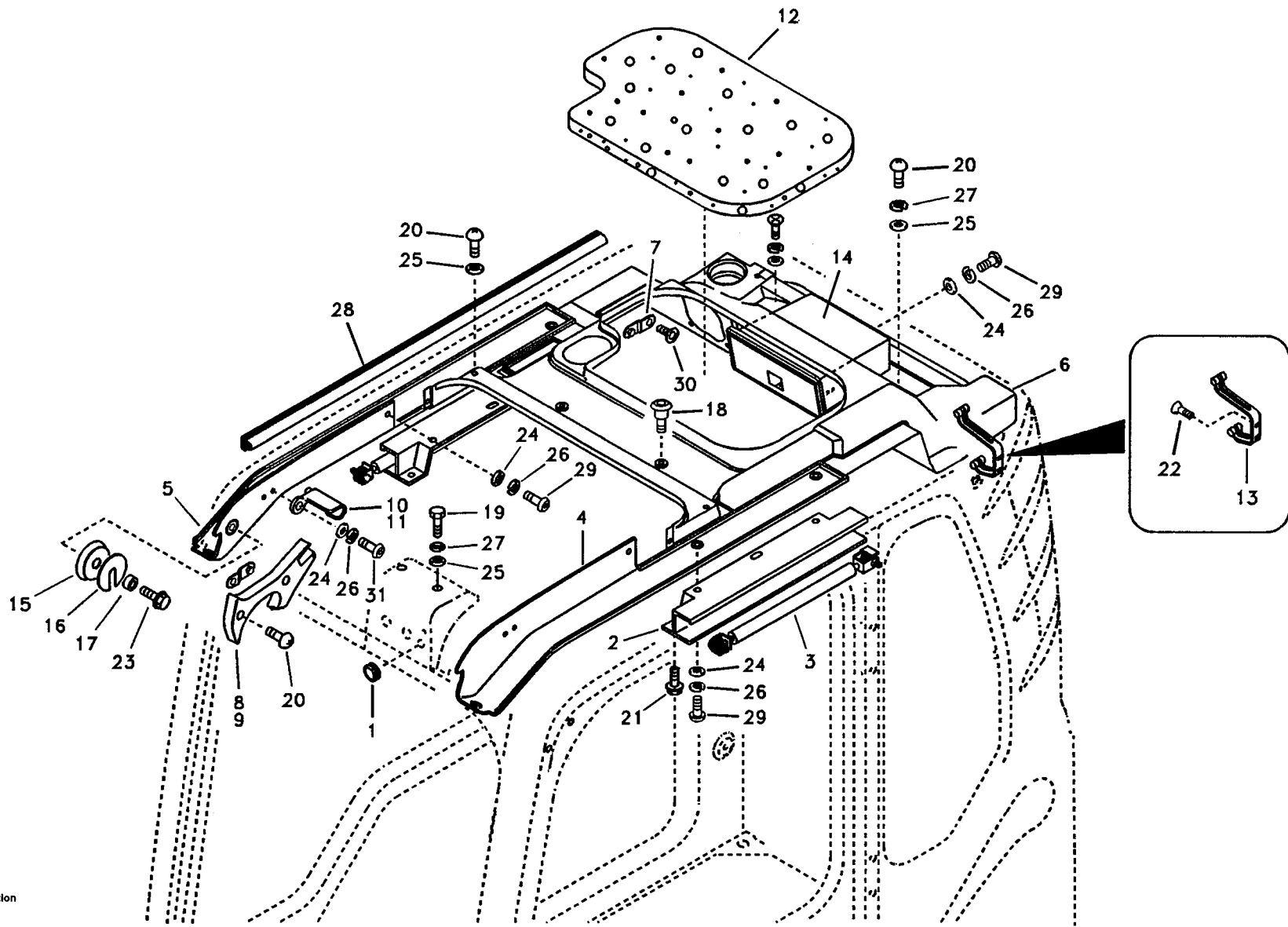


Fig.	Part No.	Quantity			P S	K I T	Description	Dénomination	Bezeichnung	품명	Denominación	Notes
		1	2	3								
1	SA 0941501008	1	1			Grommet.....	Passe fil .....	Durchführung.....	그로메트 .....	Aislador pasapanel....		
2	VOE 14506791	2	2			Guide .....	Rail.....	Führung.....	가이드 .....	Guia.....		
3	VOE 14506792	2	2			Gas Spring.....	Ressort Gaz .....	Gasfeder .....	가스 스프링 .....	Resorte A Gas.....		
4	VOE 14506796	1	1			Cover .....	Capot .....	Haube .....	커버 .....	Capo.....		
5	VOE 14506797	1	1			Cover .....	Capot .....	Haube .....	커버 .....	Capo.....		
6	VOE 14517760	1	1			Trim.....	Garniture .....	Verkleidung .....	트림 .....	Tapizado.....		
7	VOE 14506804	4	4			Striker.....	Butee.....	Hammer .....	스트라이커 .....	Cerrojo.....		
8	VOE 14506826	1	1			Bumper .....	Pare-chocs .....	Stossfänger .....	범퍼 .....	Parachoques.....		
9	VOE 14506827	1	1			Bumper .....	Pare-chocs .....	Stossfänger .....	범퍼 .....	Parachoques.....		
10	VOE 14506841	1	1			Hook.....	Crochet .....	Haken .....	훅 .....	Gancho.....		
11	VOE 14506842	1	1			Hook.....	Crochet .....	Haken .....	훅 .....	Gancho.....		
12	VOE 14506849	1	1			Sponge.....	Eponge.....	Schwamm .....	스폰지 .....	Esponja.....		
13	VOE 14506863	1	1			Coat hanger.....	Porte manteau .....	Kleiderhaken .....	옷걸이 .....	Percha.....		
14	VOE 14506864	1	1			Box.....	Boîte.....	Kasten .....	박스 .....	Caja.....		
15	VOE 14506865	2	2			Roller.....	Galet .....	Rolle .....	롤러 .....	Rodillo.....		
16	VOE 14506866	2	2			Guide .....	Rail.....	Führung.....	가이드 .....	Guia.....		
17	VOE 14506867	2	2			Boss.....	Bossage .....	Warze .....	보스 .....	Teton.....		
18	VOE 14511327	3	3			Fastener.....	Attache.....	Befestigung .....	파스너 .....	Atadura.....		
19	SA 9011-10802	2	2			Bolt.....	Boulon.....	Bolzen.....	볼트 .....	Perno.....		
20	SA 9021-10804	8	8			Screw .....	Vis .....	Schraube .....	스크류 .....	Tornillo.....		
21	VOE 946934	4	4			Screw .....	Vis .....	Schraube .....	스크류 .....	Tornillo.....		
22	SA 9027-10403	2	2			Screw .....	Vis .....	Schraube .....	스크류 .....	Tornillo.....		
23	VOE 947542	2	2			Screw .....	Vis .....	Schraube .....	스크류 .....	Tornillo.....		
24	VOE 955892	12	12			Washer.....	Rondelle.....	Scheibe .....	와셔 .....	Arandela.....		
25	VOE 955894	6	6			Washer.....	Rondelle.....	Scheibe .....	와셔 .....	Arandela.....		
26	VOE 955919	12	12			Spring Washer.....	Rondelle ressort.....	Federscheibe.....	스프링 와셔 .....	Arandela resorte.....		
27	VOE 955921	4	4			Spring Washer.....	Rondelle ressort.....	Federscheibe.....	스프링 와셔 .....	Arandela resorte.....		
28	SA 9572-23750	1	1			Weatherstrip.....	Leche-vitre .....	Abstreifleiste.....	웨더스트립 .....	Lamelunas.....		
29	VOE 969422	10	10			Screw .....	Vis .....	Schraube .....	스크류 .....	Tornillo.....		
30	VOE 969737	8	8			Screw .....	Vis .....	Schraube .....	스크류 .....	Tornillo.....		

1	8277140	<b>Cabina del conductor</b> 운전실 <b>Fahrerkabine</b> <b>Cabine conducteur</b> <b>Operator's cab</b>	Catalogue id	Group
2	8277142		<b>56141</b>	<b>810</b>
3			Illustr. No	Section
4			<b>TA303</b>	<b>600</b>
5			Issue	Page
		<b>VOE 7414356141</b>	<b>265</b>	

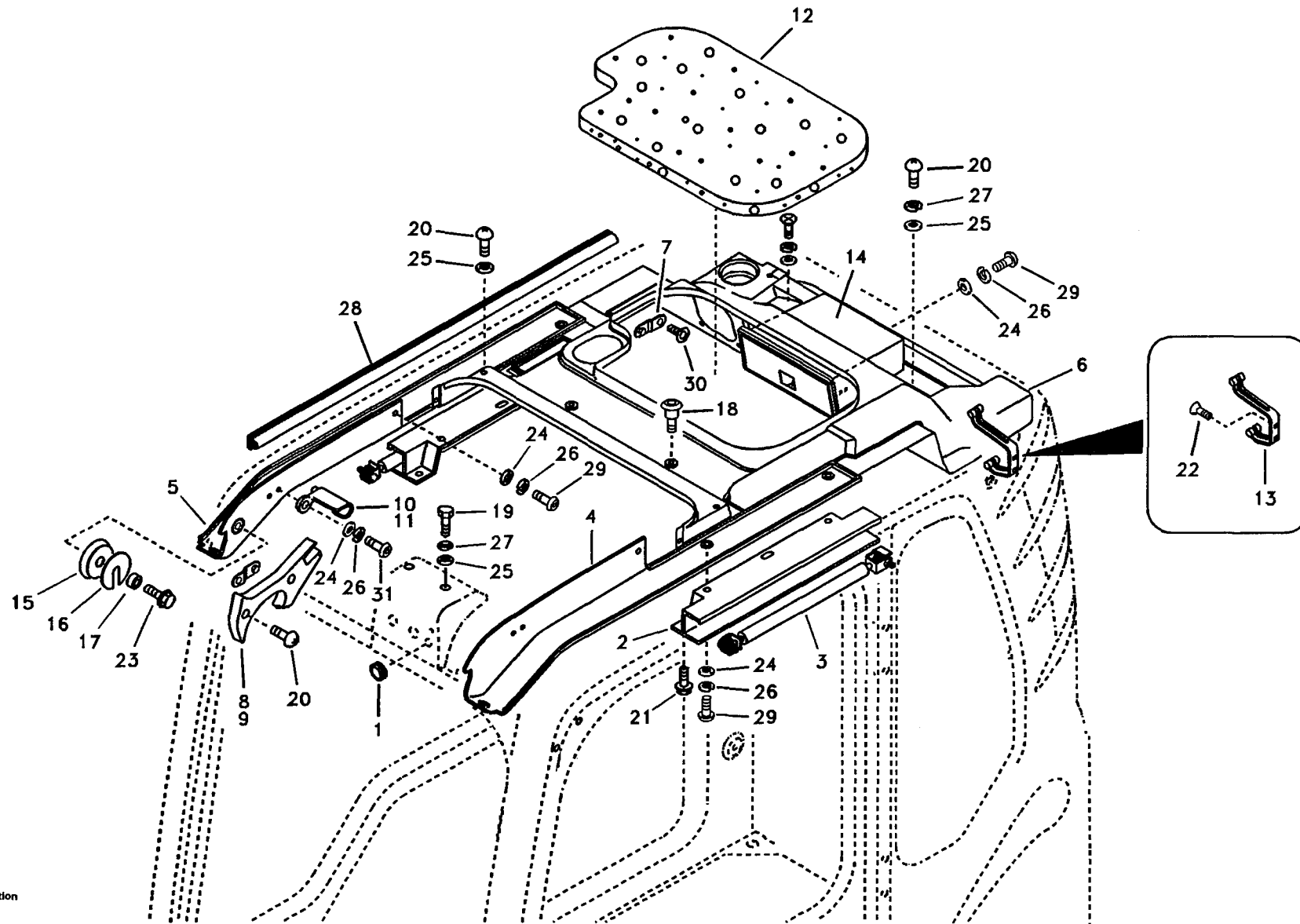


Fig.	Part No.	Quantity			P S	K I T	Description	Dénomination	Bezeichnung	품명	Denominación	Notes
		1	2	3								
31	VOE 969147	2	2			6-pt Skt Screw.....	Vis Creuse 6 De.....	6-zahn Hohlschr.....	6 포인트 소켓 스크류	Racor 6-dientes.....		

1	8277140	<b>Cabina del conductor</b> 운전실 <b>Fahrerkabine</b> <b>Cabine conducteur</b> <b>Operator's cab</b>	Catalogue id	Group
2	8277142		<b>56141</b>	<b>810</b>
3			Illustr. No	Section
4			<b>TA303</b>	<b>600</b>
5			Issue	Page
			<b>VOE 7414356141</b>	<b>267</b>

**VOLVO**

**EC210B**

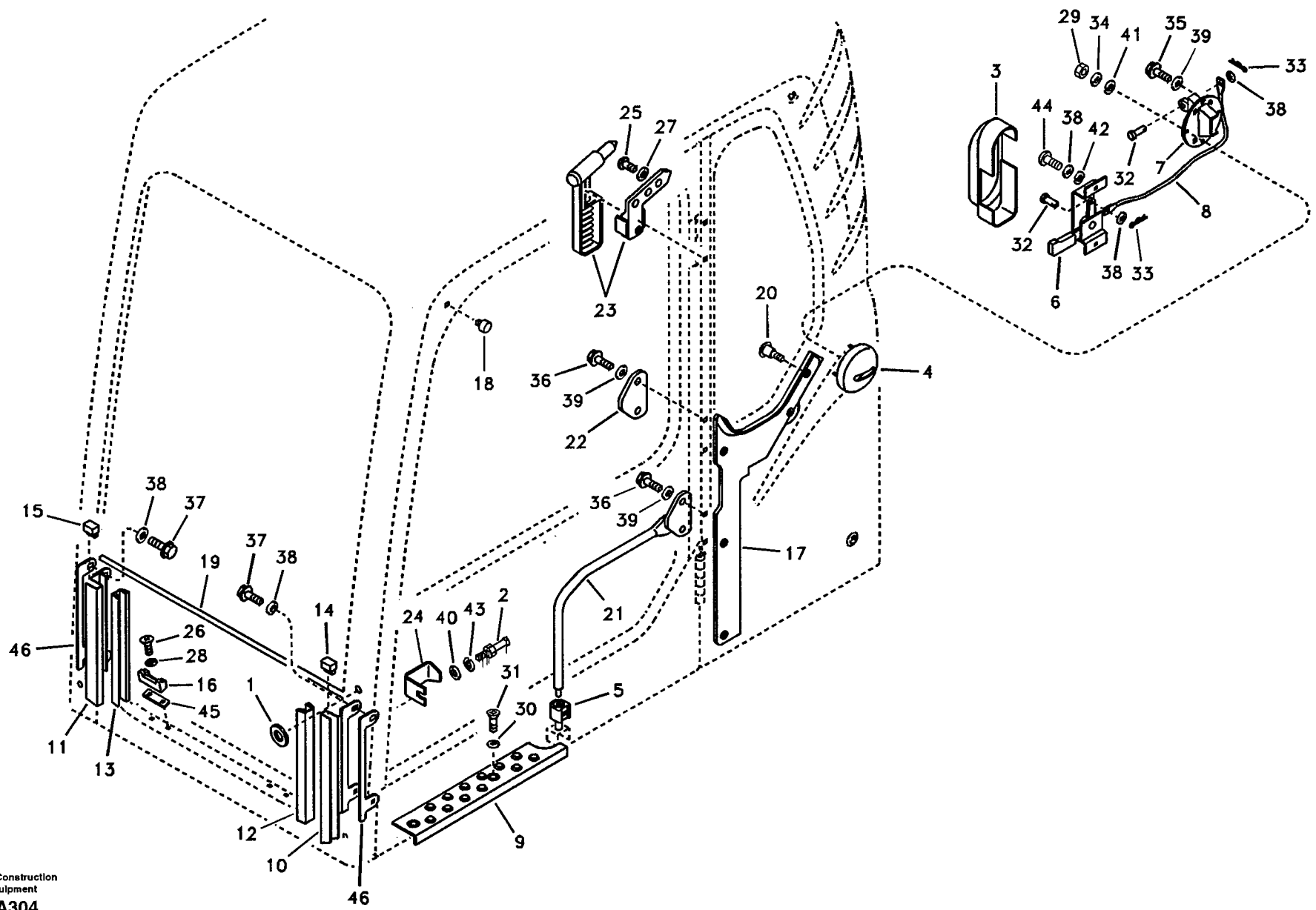


Fig.	Part No.	Quantity			P S	K I T	Description	Dénomination	Bezeichnung	품명	Denominación	Notes
		1	2	3								
1	SA 1012-00160	1	1			Washer.....	Rondelle.....	Scheibe.....	와셔.....	Arandela.....		
2	SA 1066-02260	1	1			Striker.....	Butee.....	Hammer.....	스트라이커.....	Cerrojo.....		
3	SA 1166-01930	1	1			Cover.....	Capot.....	Haube.....	커버.....	Capa.....		
4	VOE 14506788	1	1			Cover.....	Capot.....	Haube.....	커버.....	Capo.....		
5	SA 1166-31040	1	1			Stop.....	Arrêt.....	Anschlag.....	스톱.....	Parada.....		
6	SA 1166-31300	1	1			Lever.....	Levier.....	Hebel.....	레버.....	Palanca.....		
7	VOE 14506786	1	1			Catch.....	Disque Blocage.....	Sperrplatte.....	캐치.....	Disco Bloqueo.....		
8	VOE 14506789	1	1			Cable.....	Cable.....	Seil.....	케이블.....	Cable.....		
9	VOE 14506790	1	1			Plate.....	Plaque.....	Platte.....	플레이트.....	Placa.....		
10	VOE 14506828	1	1			Guide.....	Rail.....	Führung.....	가이드.....	Guia.....		
11	VOE 14506829	1	1			Guide.....	Rail.....	Führung.....	가이드.....	Guia.....		
12	VOE 14506830	1	1			Weatherstrip.....	Leche-vitre.....	Abstreifleiste.....	웨더스트립.....	Lamelunas.....		
13	VOE 14506831	1	1			Weatherstrip.....	Leche-vitre.....	Abstreifleiste.....	웨더스트립.....	Lamelunas.....		
14	VOE 14506832	1	1			Plug.....	Bouchon.....	Stopfen.....	플러그.....	Tapon.....		
15	VOE 14506833	1	1			Plug.....	Bouchon.....	Stopfen.....	플러그.....	Tapon.....		
16	VOE 14506834	2	2			Stop.....	Arrêt.....	Anschlag.....	스톱.....	Parada.....		
17	VOE 14506838	1	1			Trim.....	Garniture.....	Verkleidung.....	트림.....	Tapizado.....		
18	VOE 14507577	1	1			Bumper.....	Pare-chocs.....	Stossfänger.....	범퍼.....	Parachoques.....		
19	VOE 14510496	1	1			Channel.....	Barre U.....	U-träger.....	채널.....	Barra-u.....		
20	VOE 14511327	5	5			Fastener.....	Attache.....	Befestigung.....	파스너.....	Atadura.....		
21	VOE 14514203	1	1			Handle.....	Poignee.....	Handgriff.....	핸들.....	Manilla.....		
22	VOE 14514204	1	1			Plate.....	Plaque.....	Platte.....	플레이트.....	Placa.....		
23	SA 2066-07670	1	1			Hammer.....	Marteau.....	Hammer.....	망치.....	Martillo.....		
24	SA 2066-08311	1	1			Striker.....	Butee.....	Hammer.....	스트라이커.....	Cerrojo.....		
25	SA 9021-10402	3	3			Screw.....	Vis.....	Schraube.....	스크류.....	Tornillo.....		
26	SA 9027-20605	4	4			Screw.....	Vis.....	Schraube.....	스크류.....	Tornillo.....		
27	SA 9211-04000	3	3			Washer.....	Rondelle.....	Scheibe.....	와셔.....	Arandela.....		
28	SA 9217-40600	4	4			Washer.....	Rondelle.....	Scheibe.....	와셔.....	Arandela.....		
29	SA 9118-10500	4	4			Nut.....	Ecrou.....	Mutter.....	너트.....	Tuerca.....		
30	SA 9217-40800	2	2			Washer.....	Rondelle.....	Scheibe.....	와셔.....	Arandela.....		

1	8277140	<b>Cabina del conductor</b> 운전실 <b>Fahrerkabine</b> <b>Cabine conducteur</b> <b>Operator's cab</b>	Catalogue id	Group
2	8277142		<b>56141</b>	<b>810</b>
3			Illustr. No	Section
4			<b>TA304</b>	<b>700</b>
5			Issue	Page
		<b>VOE 7414356141</b>	<b>269</b>	

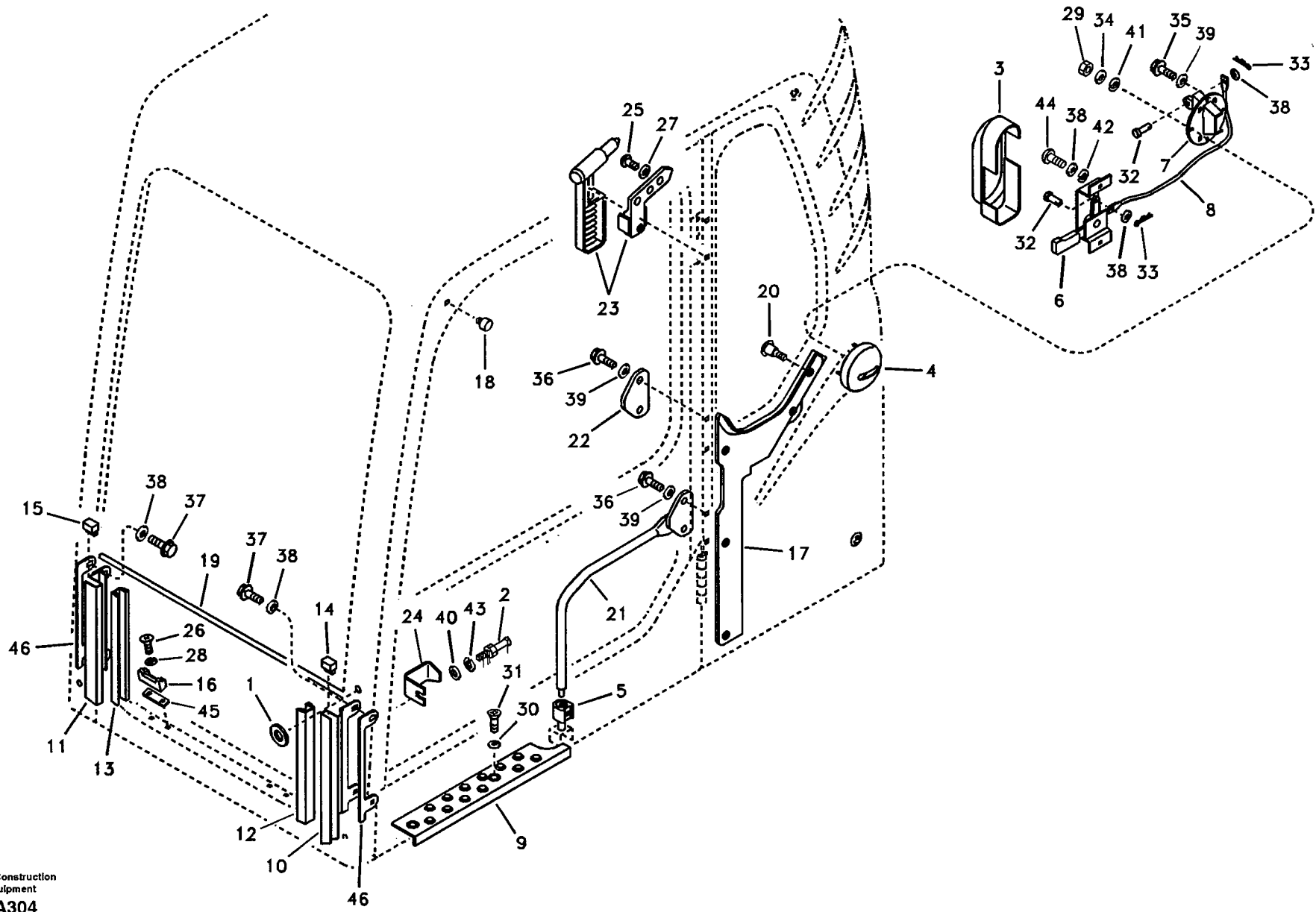


Fig.	Part No.	Quantity			P S	K I T	Description	Dénomination	Bezeichnung	품명	Denominación	Notes
		1	2	3								
31	VOE 969747	2	2			Screw .....	Vis .....	Schraube .....	스크류 .....	Tornillo.....		
32	SA 9321-20608	2	2			Clevis Pin .....	Vis A Oeuillet .....	Zylinderbolzen .....	클레비스 핀 .....	Espiga.....		
33	SA 9323-01408	2	2			Split Pin.....	Goupille Fendue.....	Splint .....	분할 핀 .....	Chaveta Hendida.....		
34	VOE 940090	4	4			Washer.....	Rondelle .....	Scheibe .....	와셔 .....	Arandela.....		
35	VOE 945444	4	4	SS		Screw .....	Vis .....	Schraube .....	스크류 .....	Tornillo.....		
36	VOE 946472	4	4			Flange Screw .....	Vis A Bride .....	Flanschschraube .....	플랜지 스크류 .....	Torn Embridado.....		
37	VOE 947542	4	4	SS		Screw .....	Vis .....	Schraube .....	스크류 .....	Tornillo.....		
38	VOE 955892	9	9			Washer.....	Rondelle .....	Scheibe .....	와셔 .....	Arandela.....		
39	VOE 955894	8	8	SS		Washer.....	Rondelle .....	Scheibe .....	와셔 .....	Arandela.....		
40	VOE 955897	1	1	SS		Washer.....	Rondelle .....	Scheibe .....	와셔 .....	Arandela.....		
41	VOE 955918	4	4			Spring Washer .....	Rondelle ressort.....	Federscheibe.....	스프링 와셔 .....	Arandela resorte.....		
42	VOE 955919	3	3			Spring Washer .....	Rondelle ressort.....	Federscheibe.....	스프링 와셔 .....	Arandela resorte.....		
43	VOE 955923	1	1			Washer.....	Rondelle .....	Scheibe .....	와셔 .....	Arandela.....		
44	VOE 969422	3	3			Screw .....	Vis .....	Schraube .....	스크류 .....	Tornillo.....		
45	VOE 14517023	2	2			Shim.....	Rondelle ajustement..	Passscheibe .....	심 .....	Arandela Ajuste.....		
46	VOE 14517022	2	2			Pad.....	Patin.....	Belag .....	패드 .....	Pastilla.....		

1	8277140	<b>Cabina del conductor</b> 운전실 <b>Fahrerkabine</b> <b>Cabine conducteur</b> <b>Operator's cab</b>	Catalogue id	Group
2	8277142		<b>56141</b>	<b>810</b>
3			Illustr. No	Section
4			<b>TA304</b>	<b>700</b>
5			Issue	Page
			<b>VOE 7414356141</b>	<b>271</b>



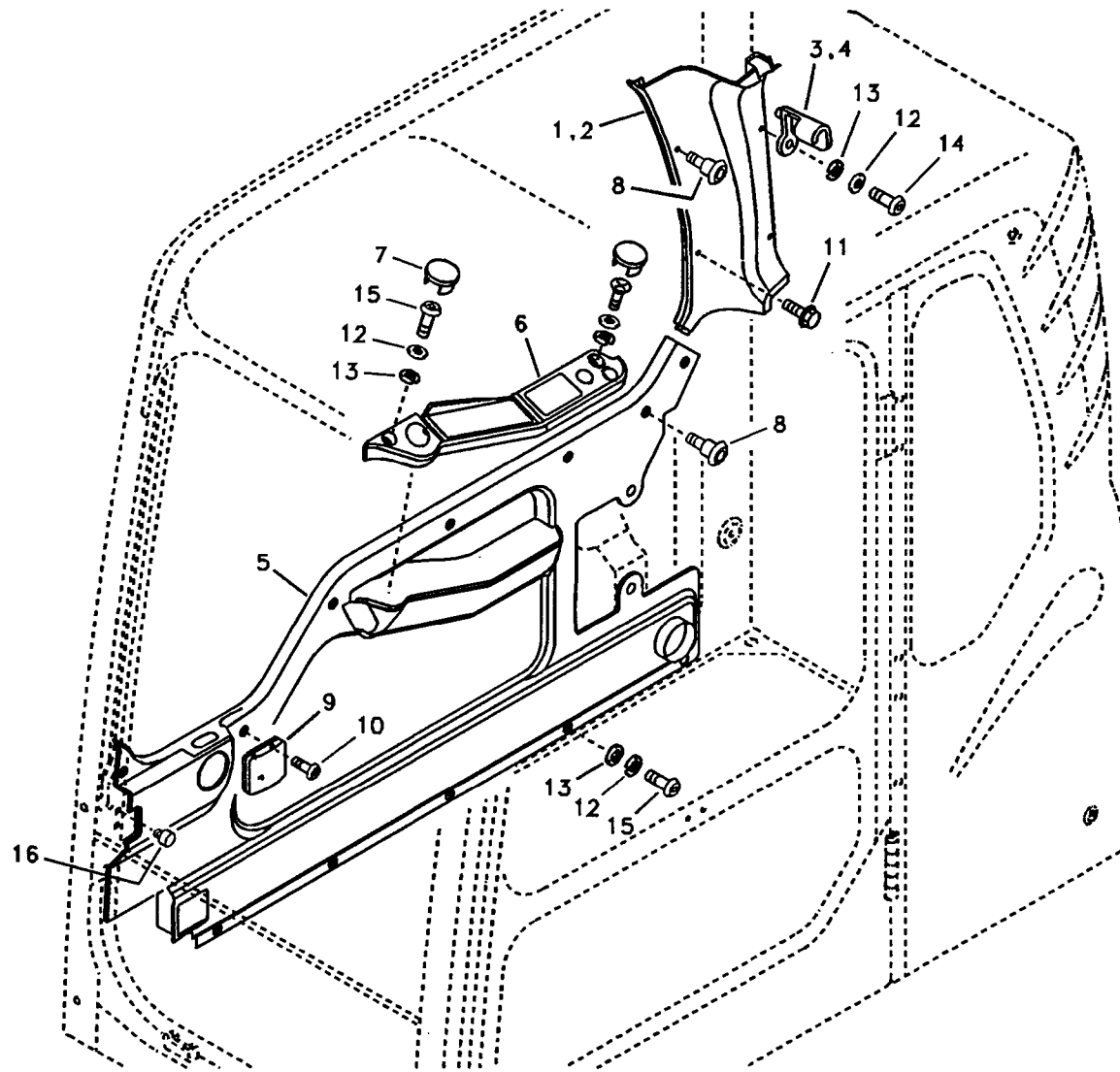


Fig.	Part No.	Quantity			P S	K I T	Description	Dénomination	Bezeichnung	품명	Denominación	Notes
		1	2	3								
1	VOE 14506839	1	1			Cover .....	Capot .....	Haube .....	커버 .....	Capa.....	LH	
2	VOE 14506840	1	1			Cover .....	Capot .....	Haube .....	커버 .....	Capa.....	RH	
3	VOE 14506841	2	2			Hook.....	Crochet .....	Haken .....	훅 .....	Gancho.....	LH	
4	VOE 14506842	2	2			Hook.....	Crochet .....	Haken .....	훅 .....	Gancho.....	RH	
5	VOE 14517762	1	1			Trim.....	Garniture .....	Verkleidung .....	트림 .....	Tapizado.....		
6	VOE 14508698	1	1			Panel.....	Panneau.....	Verkleidung .....	패널 .....	Plancha.....		
7	VOE 14508725	3	3			Clip.....	Clip.....	Klemme .....	클립 .....	Clip.....		
8	VOE 14511327	8	8			Fastener.....	Attache.....	Befestigung .....	파스너 .....	Atadura.....		
9	VOE 14517015	1	1			Cup .....	Coupelle .....	Laufring .....	컵 .....	Copita.....		
10	VOE 969407	5	5			6-pt Skt Screw.....	Vis Creuse 6 De.....	6-zahn Hohlschr .....	6 포인트 소켓 스크류 .....	Racor 6-dientes.....		
11	VOE 946329	2	2			Flange Screw .....	Vis A Bride .....	Flanschschraube .....	플랜지 스크류 .....	Torn Embridado.....		
12	VOE 955892	12	12			Washer.....	Rondelle .....	Scheibe .....	와셔 .....	Arandela .....		
13	VOE 955919	12	12			Spring Washer .....	Rondelle ressort.....	Federscheibe.....	스프링 와셔 .....	Arandela resorte.....		
14	VOE 969147	4	4			6-pt Skt Screw.....	Vis Creuse 6 De.....	6-zahn Hohlschr .....	6 포인트 소켓 스크류 .....	Racor 6-dientes.....		
15	VOE 969422	8	8			Screw .....	Vis .....	Schraube .....	스크류 .....	Tornillo.....		
16	VOE 14507577	2	2			Bumper .....	Pare-chocs.....	Stossfänger.....	범퍼 .....	Parachoques.....		

1	8277140	<b>Cabina del conductor</b> 운전실 <b>Fahrerkabine</b> <b>Cabine conducteur</b> <b>Operator's cab</b>	Catalogue id	Group
2	8277142		<b>56141</b>	<b>810</b>
3			Illustr. No	Section
4			<b>TA305</b>	<b>800</b>
5			Issue	Page
			<b>VOE 7414356141</b>	<b>273</b>

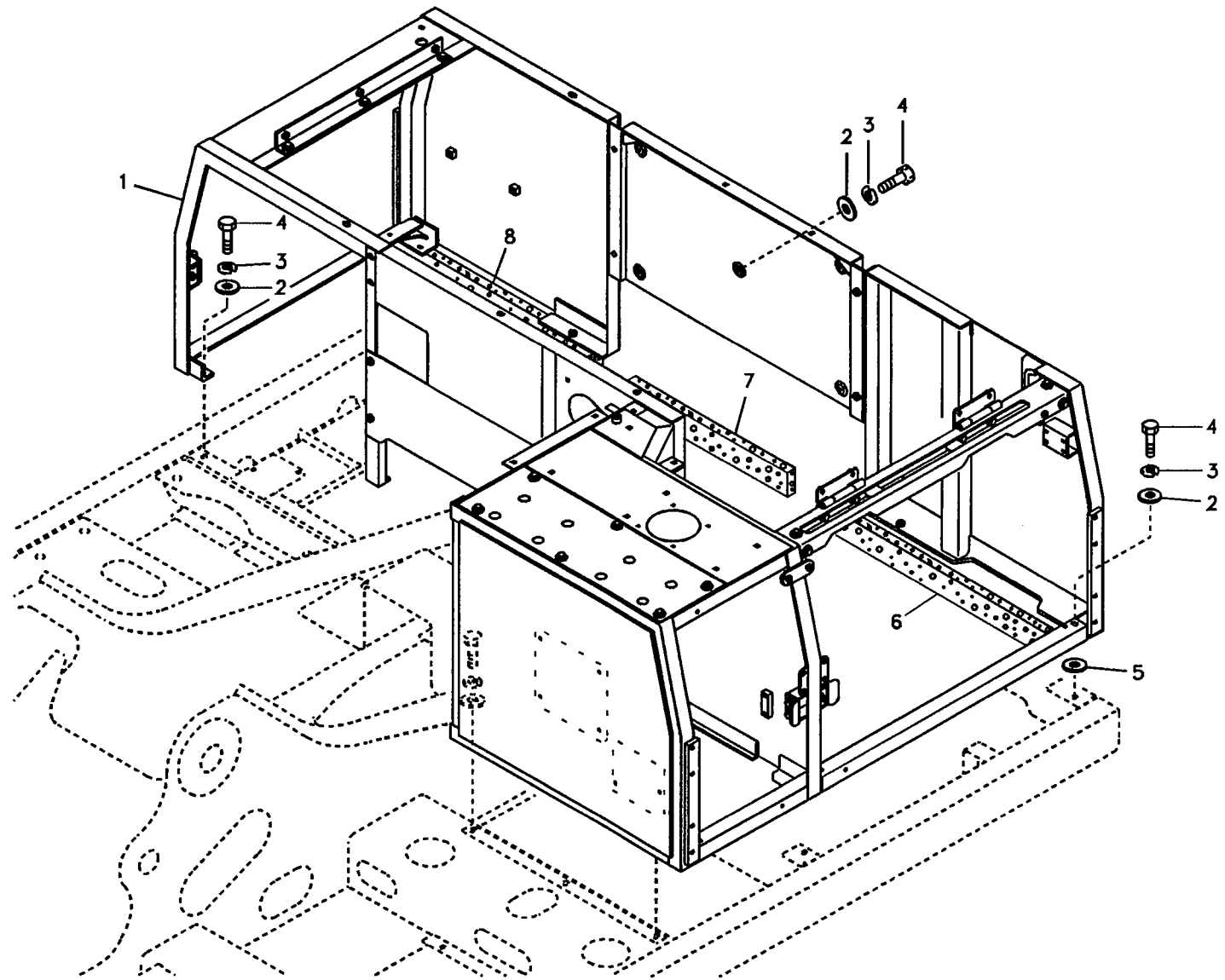


Fig.	Part No.	Quantity			P S	K I T	Description	Dénomination	Bezeichnung	품명	Denominación	Notes
		1	2	3								
1	VOE 14517563	1				Frame.....	Chassis .....	Rahmen .....	프레임 .....	Bastidor.....		
2	SA 1012-00160	11				Washer.....	Rondelle.....	Scheibe .....	와셔 .....	Arandela.....		
3	SA 9213-12000	11				Washer.....	Rondelle.....	Scheibe .....	와셔 .....	Arandela.....		
4	VOE 978933	11				Screw.....	Vis .....	Schraube .....	스크류 .....	Tornillo.....		
5	SA 9742-30030	4				Shim.....	Cale Reglage .....	Nachstellblech .....	심.....	Cuna de calzar.....		
6	VOE 14512511	1				Sponge.....	Eponge.....	Schwamm.....	스폰지 .....	Esponja.....		
7	VOE 14512512	1				Sponge.....	Eponge.....	Schwamm.....	스폰지 .....	Esponja.....		
8	VOE 14512514	1				Sponge.....	Eponge.....	Schwamm.....	스폰지 .....	Esponja.....		

1	8277784	<b>Bastidor</b>	Catalogue id	Group
2		카울 프레임	<b>56141</b>	<b>821</b>
3		<b>Stativ</b>	Illustr. No	Section
4		<b>Bâti</b>	<b>TA164</b>	<b>100</b>
5		<b>Cowl frame</b>	Issue	Page
			<b>VOE 7414356141</b>	<b>275</b>

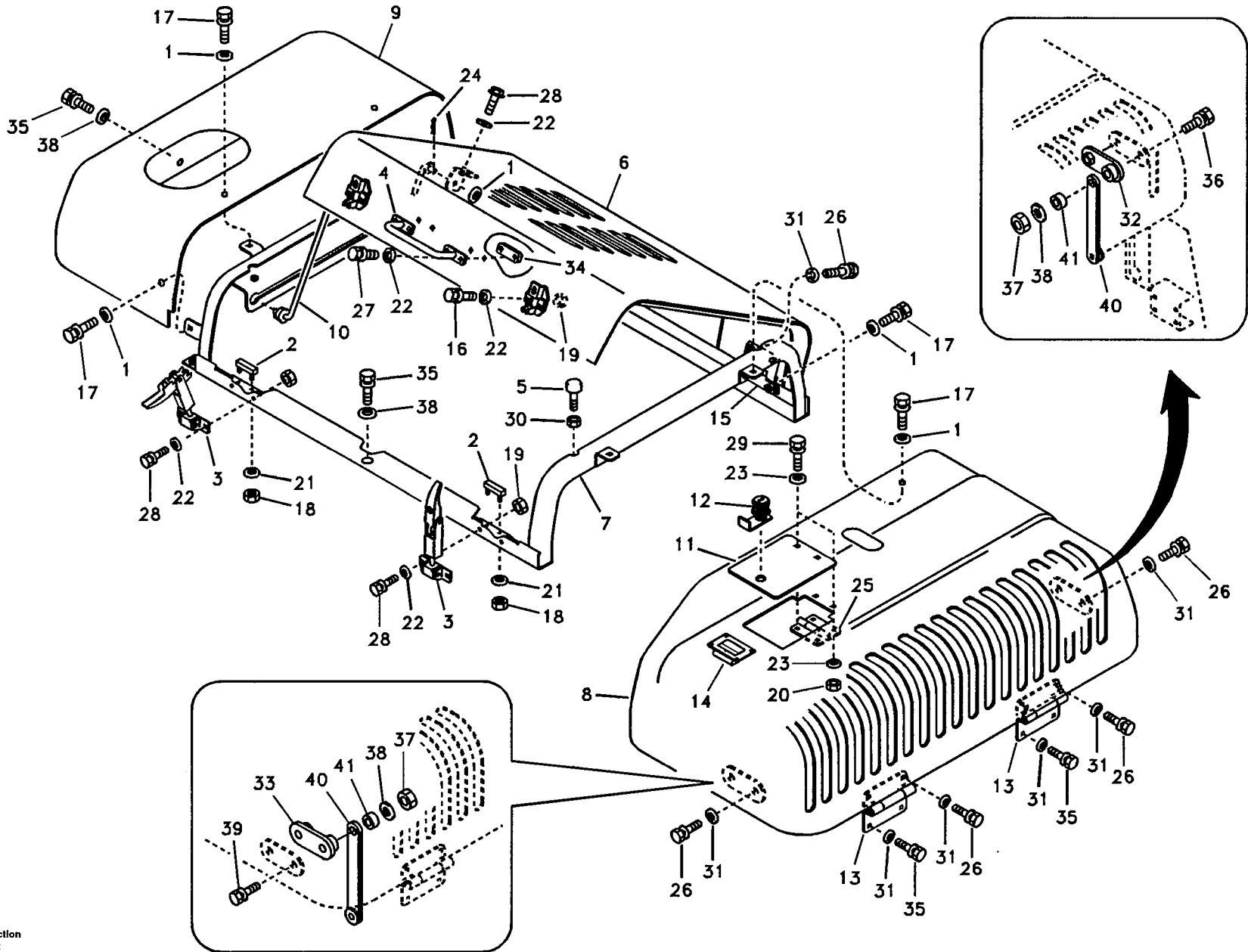


Fig.	Part No.	Quantity			P S	K I T	Description	Dénomination	Bezeichnung	품명	Denominación	Notes
		1	2	3								
	VOE 14517552	1				Hood .....	Capot Moteur .....	Motorhaube .....	후드 .....	Tapa motor.....		
1	SA 1012-00160	11				•Washer .....	•Rondelle.....	•Scheibe .....	•와셔 .....	•Arandela.....		
2	SA 1162-08310	2				•Cushion .....	•Coussin.....	•Sitzkissen.....	•쿠션 .....	•Cojin.....		
3	VOE 14508835	2				•Catch .....	•Disque Blocage.....	•Sperrplatte .....	•캐치 .....	•Disco Bloqueo.....		
4	VOE 14508836	1				•Grip .....	•Poignee.....	•Griff .....	•그립 .....	•Mordaza.....		
5	VOE 14508848	4				•Bumper .....	•Pare-chocs.....	•Stossfänger.....	•범퍼 .....	•Parachoques.....		
6	VOE 14505799	1				•Door .....	•Porte .....	•Tür.....	•도어 .....	•Puerta.....		
7	VOE 14517550	1				•Frame .....	•Chassis .....	•Rahmen .....	•프레임 .....	•Bastidor.....		
8	VOE 14505801	1				•Cover .....	•Capot .....	•Haube .....	•커버 .....	•Capo.....		
9	VOE 14505802	1				•Cover .....	•Capot .....	•Haube .....	•커버 .....	•Capo.....		
10	VOE 14510163	1				•Rod .....	•Monture.....	•Fuhler .....	•로드 .....	•Varilla.....		
11	VOE 14510164	1				•Cover .....	•Capot .....	•Haube .....	•커버 .....	•Capo.....		
12	VOE 14510165	1				•Key .....	•Clavette.....	•Keil .....	•키 .....	•Llave (cuna).....		
13	VOE 14512718	2				•Hinge .....	•Charniere .....	•Scharnier.....	•힌지 .....	•Bisagra.....		
14	VOE 14508837	1				•Handle .....	•Poignee.....	•Handgriff .....	•핸들 .....	•Manilla.....		
15	VOE 14512752	2				•Hinge .....	•Charniere .....	•Scharnier.....	•힌지 .....	•Bisagra.....		
16	SA 9011-10807	4				•Bolt .....	•Boulon.....	•Bolzen .....	•볼트 .....	•Perno.....		
17	VOE 978932	10				•Screw .....	•Vis .....	•Schraube.....	•스크류 .....	•Tornillo.....		
18	SA 9131-10500	4				•Lock Nut .....	•Contre-ecrou.....	•Sicher Mutter.....	•록 너트 .....	•Contratuerca.....		
19	SA 9131-10800	8				•Lock Nut .....	•Contre-ecrou.....	•Sicher Mutter.....	•록 너트 .....	•Contratuerca.....		
20	SA 9131-11000	4				•Lock Nut .....	•Contre-ecrou.....	•Sicher Mutter.....	•록 너트 .....	•Contratuerca.....		
21	SA 9211-05000	4				•Washer .....	•Rondelle.....	•Scheibe .....	•와셔 .....	•Arandela.....		
22	SA 9211-08000	14				•Washer .....	•Rondelle.....	•Scheibe .....	•와셔 .....	•Arandela.....		
23	SA 9211-10000	8				•Washer .....	•Rondelle.....	•Scheibe .....	•와셔 .....	•Arandela.....		
24	SA 9323-02920	1				•Split Pin .....	•Goupille Fendue .....	•Splint.....	•분할 핀 .....	•Chaveta Hendida.....		
25	SA 9725-21000	1				•Hinge .....	•Charniere .....	•Scharnier.....	•힌지 .....	•Bisagra.....		
26	VOE 978933	10				•Screw .....	•Vis .....	•Schraube.....	•스크류 .....	•Tornillo.....		
27	VOE 983243	4				•Screw .....	•Vis .....	•Schraube.....	•스크류 .....	•Tornillo.....		
28	VOE 983244	6				•Screw .....	•Vis .....	•Schraube.....	•스크류 .....	•Tornillo.....		
29	VOE 983252	4				•Screw .....	•Vis .....	•Schraube.....	•스크류 .....	•Tornillo.....		

1	8277784	<b>Bastidor de capó, cubierta y capó</b> 카울 프레임 , 커버 및 후드 <b>Motorhaube, Rahmen und Abdeckung</b> <b>Cadre, couvercle et capot d'auvent</b> <b>Cowl frame, cover and hood</b>	Catalogue id	Group
2			56141	821
3			Illustr. No	Section
4			TA165	200
5			Issue	Page
			VOE 7414356141	277

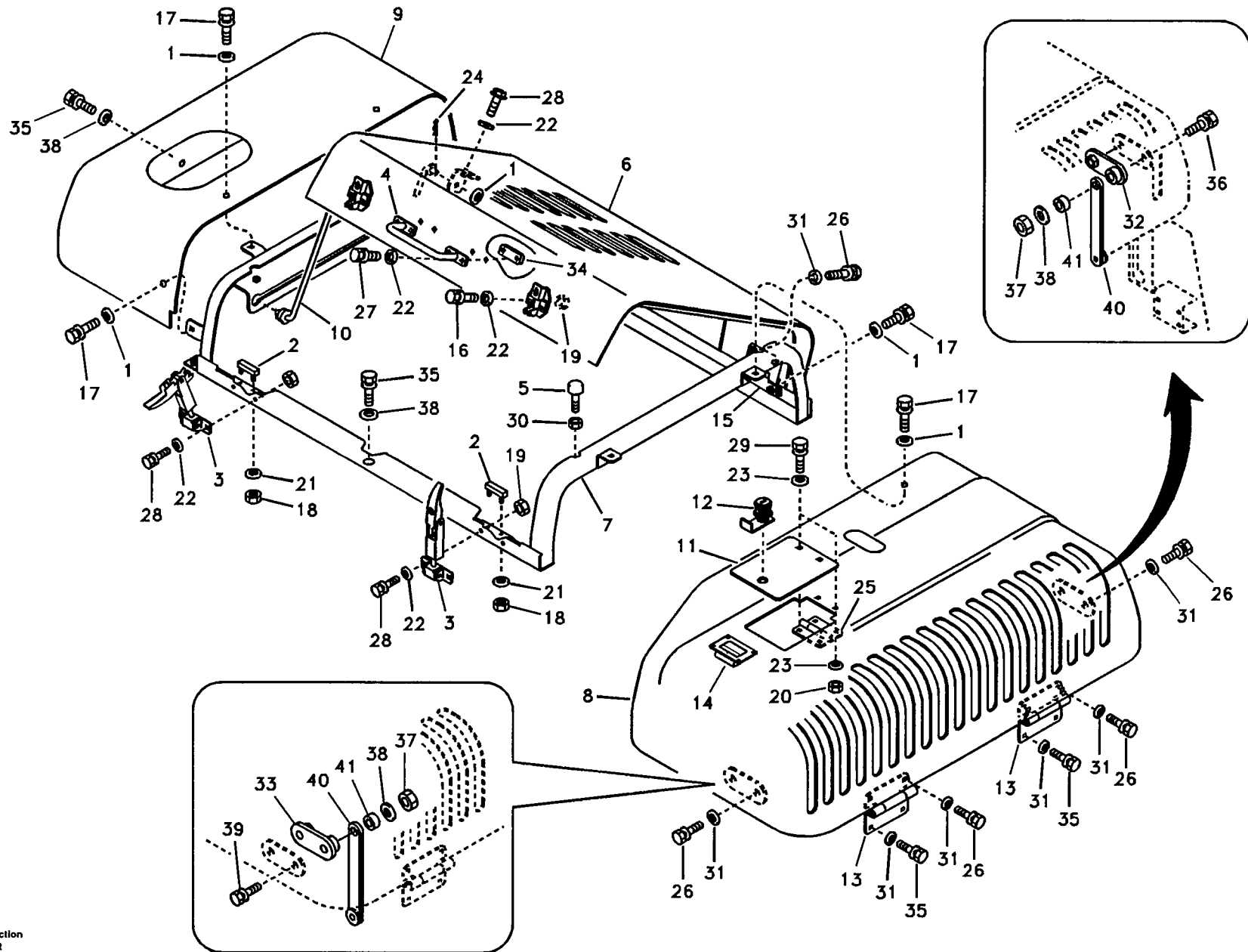


Fig.	Part No.	Quantity			P S	K I T	Description	Dénomination	Bezeichnung	품명	Denominación	Notes
		1	2	3								
30	VOE 983303	4				•Nut .....	•Ecrou .....	•Mutter .....	• 너트 .....	•Tuerca .....		
31	SA 9211-12000	10				•Washer .....	•Rondelle .....	•Scheibe .....	• 와셔 .....	•Arandela .....		
32		1		NS		•Plate .....	•Plaque .....	•Platte .....	• 플레이트 .....	•Placa .....		
33		1		NS		•Plate .....	•Plaque .....	•Platte .....	• 플레이트 .....	•Placa .....		
34		2		NS		•Seat .....	•Siege .....	•Sitz .....	• 시트 .....	•Asiento .....		
35	VOE 978932	13				Screw .....	Vis .....	Schraube .....	스크류 .....	Tornillo .....		
36	SA 9011-21212	1				Bolt .....	Boulon .....	Bolzen .....	볼트 .....	Perno .....		
37	SA 9131-11200	2				Lock Nut .....	Contre-ecrou .....	Sicher Mutter .....	록 너트 .....	Contratuerca .....		
38	SA 1012-00160	15				Washer .....	Rondelle .....	Scheibe .....	와셔 .....	Arandela .....		
39	SA 9011-21214	1				Bolt .....	Boulon .....	Bolzen .....	볼트 .....	Perno .....		
40	VOE 14512717	2				Rod .....	Monture .....	Fuhler .....	로드 .....	Varilla .....		
41	VOE 14512725	2				Spacer .....	Entretoise .....	Abstandstueck .....	스페이서 .....	Casquillo distanciad..		

1	8277784	<b>Bastidor de capó, cubierta y capó</b> 카울 프레임 , 커버 및 후드 <b>Motorhaube, Rahmen und Abdeckung</b> <b>Cadre, couvercle et capot d'auvent</b> <b>Cowl frame, cover and hood</b>	Catalogue id	Group
2			<b>56141</b>	<b>821</b>
3			Illustr. No	Section
4			<b>TA165</b>	<b>200</b>
5			Issue	Page
		<b>VOE 7414356141</b>	<b>279</b>	



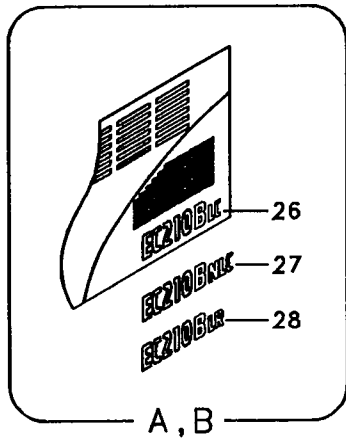
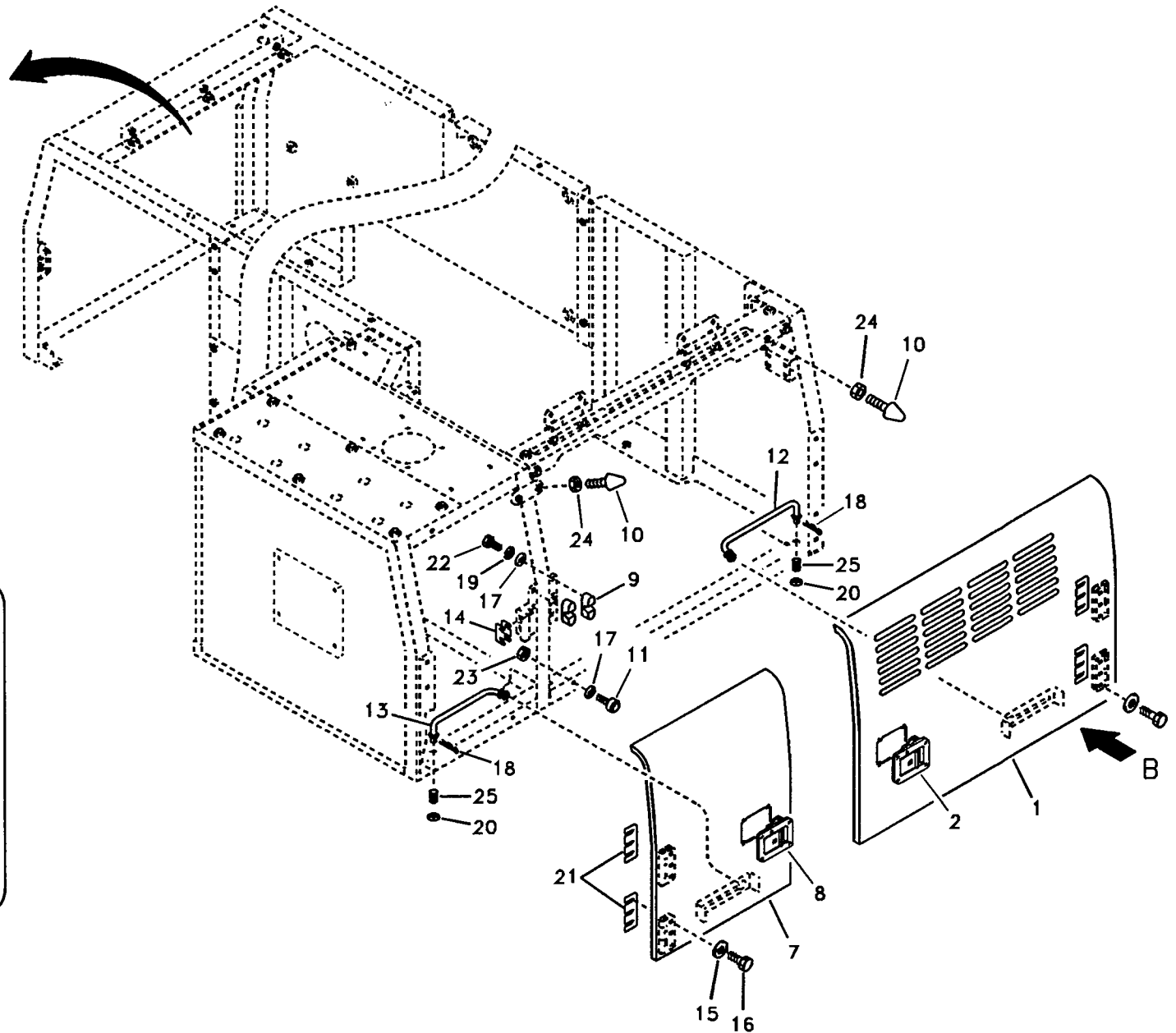
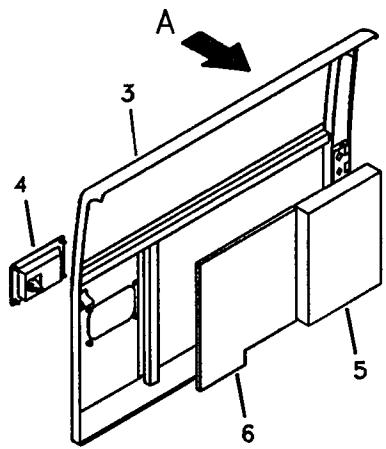


Fig.	Part No.	Quantity					P S	K I T	Description	Dénomination	Bezeichnung	품명	Denominación	Notes
		1	2	3	4	5								
1	VOE 14512359	1						Door.....	Porte.....	Tür.....	도어.....	Puerta.....		
2	VOE 14508854	1						•Latch.....	•Poignee Blocage...	•Knebel.....	• 래치.....	•Mango Seguridad..		
3	VOE 14517542	1						Door.....	Porte.....	Tür.....	도어.....	Puerta.....		
4	VOE 14508850	1						•Latch.....	•Poignee Blocage...	•Knebel.....	• 래치.....	•Mango Seguridad..		
5	VOE 14517543	1						•Sponge.....	•Eponge.....	•Schwamm.....	• 스폰지.....	•Esponja.....		
6	VOE 14517544	1						•Sponge.....	•Eponge.....	•Schwamm.....	• 스폰지.....	•Esponja.....		
7	VOE 14512360	1						Door.....	Porte.....	Tür.....	도어.....	Puerta.....		
8	VOE 14508850	1						•Latch.....	•Poignee Blocage...	•Knebel.....	• 래치.....	•Mango Seguridad..		
9	SA 1162-03963	3						Stop.....	Arrêt.....	Anschlag.....	스톱.....	Parada.....		
10	SA 1162-04010	5						Bolt.....	Boulon.....	Bolzen.....	볼트.....	Perno.....		
11	VOE 14508848	3						Bumper.....	Pare-chocs.....	Stoßfänger.....	범퍼.....	Parachoques.....		
12	VOE 14511974	1						Rod.....	Monture.....	Fuhler.....	로드.....	Varilla.....		
13	VOE 14511975	2						Rod.....	Monture.....	Fuhler.....	로드.....	Varilla.....		
14	VOE 14514515	3						Plate.....	Plaque.....	Platte.....	플레이트.....	Placa.....		
15	SA 3015-00710	12						Washer.....	Rondelle.....	Scheibe.....	와셔.....	Arandela.....		
16	SA 9011-11204	12						Bolt.....	Boulon.....	Bolzen.....	볼트.....	Perno.....		
17	SA 9211-08000	12						Washer.....	Rondelle.....	Scheibe.....	와셔.....	Arandela.....		
18	SA 9326-10000	3						Pin.....	Goupille.....	Zapfen.....	핀.....	Pasador.....		
19	VOE 955921	6						Spring Washer.....	Rondelle ressort.....	Federscheibe.....	스프링 와셔.....	Arandela resorte.....		
20	VOE 960148	3						Washer.....	Rondelle.....	Scheibe.....	와셔.....	Arandela.....		
21	SA 9741-30000	6						Shim.....	Rondelle ajusteme..	Passscheibe.....	심.....	Arandela Ajuste.....		
22	VOE 983243	6						Screw.....	Vis.....	Schraube.....	스크류.....	Tornillo.....		
23	VOE 983303	3						Nut.....	Ecrou.....	Mutter.....	너트.....	Tuerca.....		
24	VOE 983304	5						Nut.....	Ecrou.....	Mutter.....	너트.....	Tuerca.....		
25	VOE 14517154	3						Spring.....	Ressort.....	Feder.....	스프링.....	Muelle.....		
26	VOE 14513992		2	2				Decal.....	Decalcomanie.....	Abziehbild.....	데칼.....	Decalcomania.....		
27	VOE 14513994				2			Decal.....	Decalcomanie.....	Abziehbild.....	데칼.....	Decalcomania.....		
28	VOE 14513993					2		Decal.....	Decalcomanie.....	Abziehbild.....	데칼.....	Decalcomania.....		

1	8277784	<b>Puerta, lado</b> 사이드 도어 <b>Tür, Seite</b> Porte, latérale <b>Door, side</b>	Catalogue id	Group
2	8277820		<b>56141</b>	<b>821</b>
3	8277821		Illustr. No	Section
4	8277822		<b>TA166</b>	<b>300</b>
5	8277827		Issue	Page
			<b>VOE 7414356141</b>	<b>281</b>

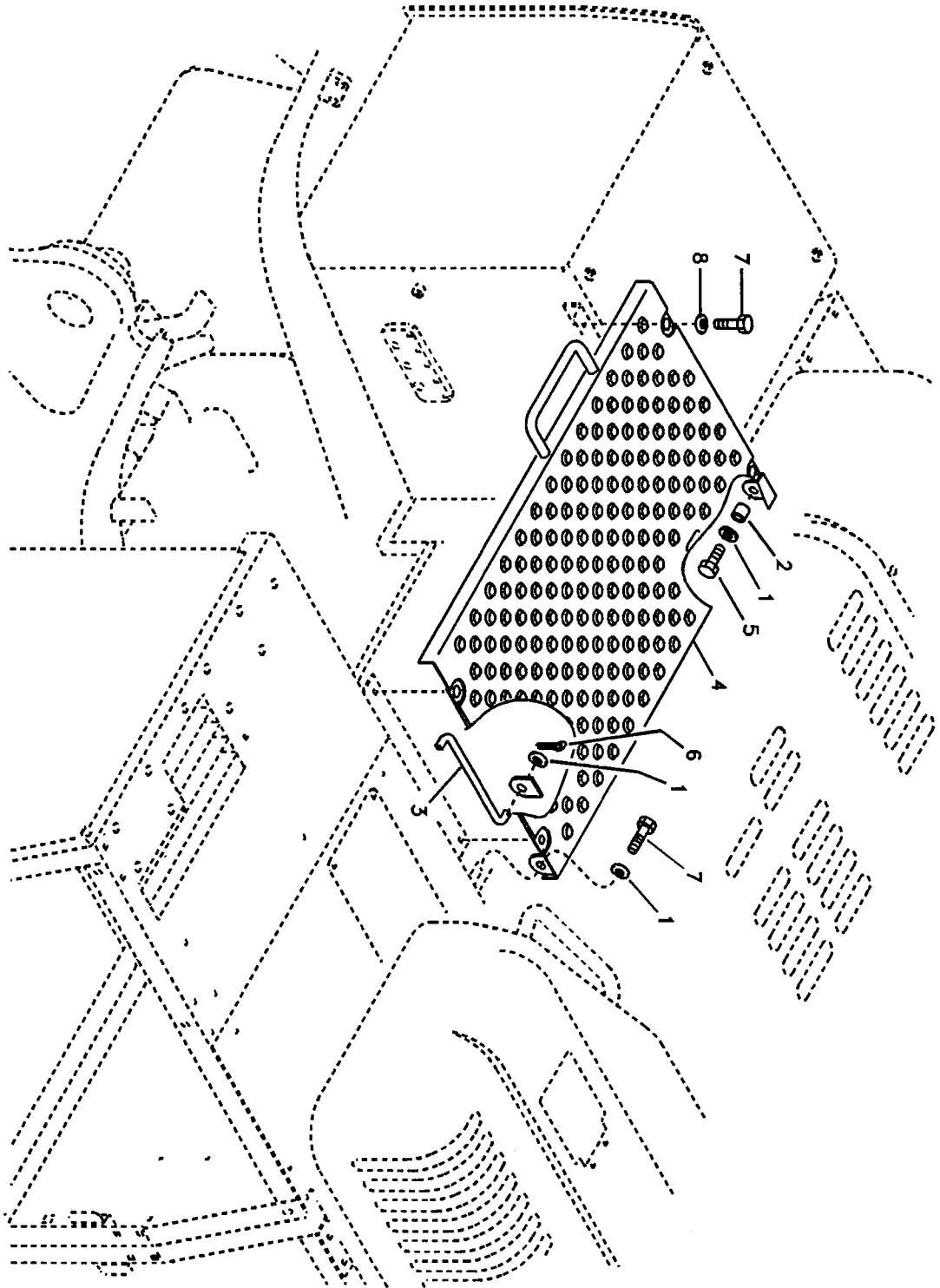


Fig.	Part No.	Quantity			P S	K I T	Description	Dénomination	Bezeichnung	품명	Denominación	Notes
		1	2	3								
1	SA 1012-00160	3				Washer.....	Rondelle.....	Scheibe.....	와셔.....	Arandela.....		
2	SA 1162-06180	1				Spacer.....	Partie Interme. ....	Zwischenstück.....	스페이서.....	Espaciador.....		
3	VOE 14509837	1				Rod.....	Monture.....	Fuhler.....	로드.....	Varilla.....		
4	VOE 14512675	1				Cover.....	Capot.....	Haube.....	커버.....	Capo.....		
5	SA 9011-11209	1				Bolt.....	Boulon.....	Bolzen.....	볼트.....	Perno.....		
6	SA 9323-02920	1				Split Pin.....	Goupille Fendue.....	Splint.....	분할 핀.....	Chaveta Hendida.....		
7	VOE 978932	5				Screw.....	Vis.....	Schraube.....	스크류.....	Tornillo.....		
8	VOE 14504933	4				Washer.....	Rondelle.....	Scheibe.....	와셔.....	Arandela.....		

1	8277784	<b>Capo, válvula de control principal</b> 커버, 제어밸브 <b>Haube, Steuerventilblock</b> <b>Capot, valve de commande principale</b> <b>Cover, main control valve</b>	Catalogue id	Group
2			<b>56141</b>	<b>821</b>
3			Illustr. No	Section
4			<b>TA167</b>	<b>400</b>
5			Issue	Page
		<b>VOE 7414356141</b>	<b>283</b>	

**VOLVO**

**EC210B**

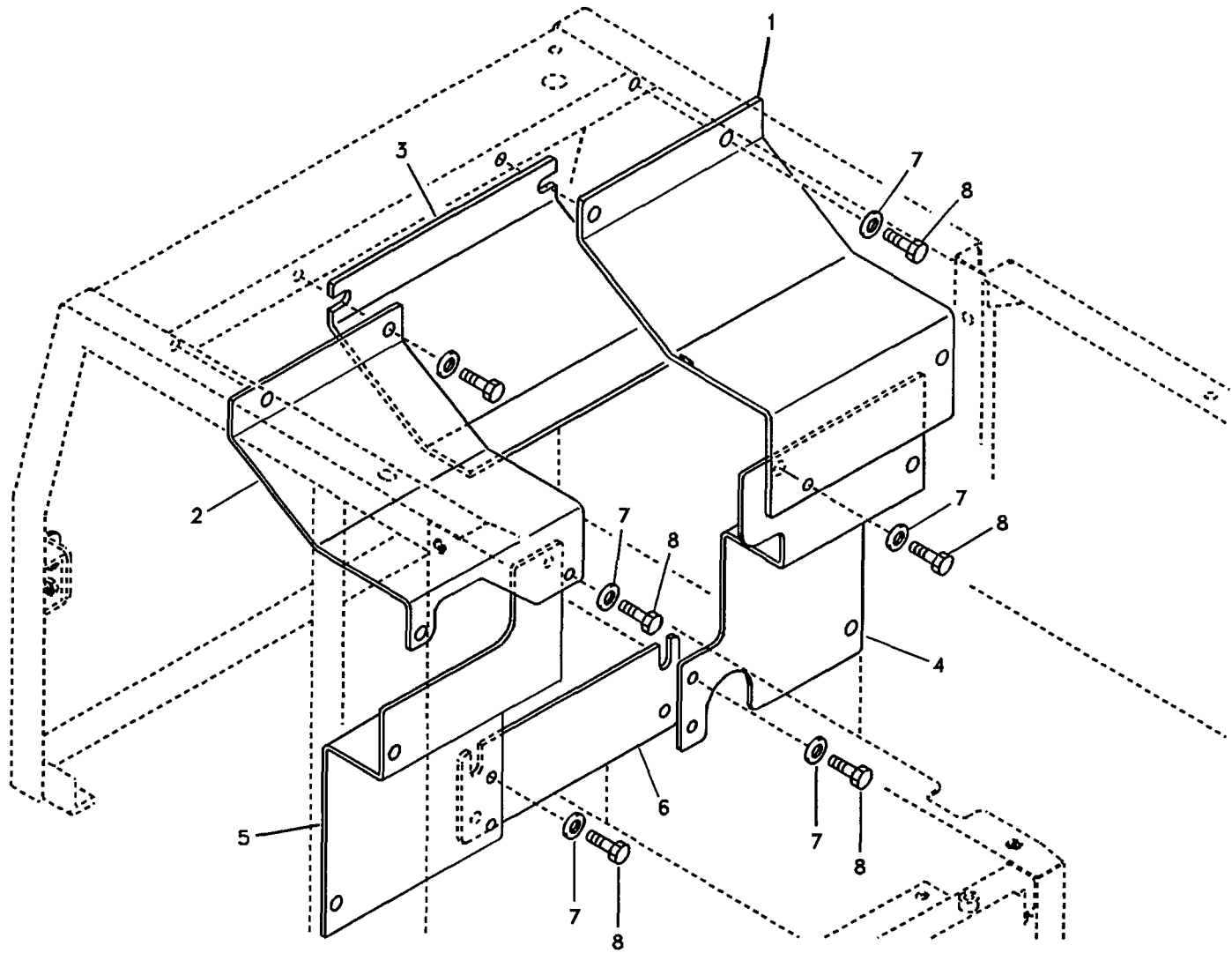


Fig.	Part No.	Quantity			P S	K I T	Description	Dénomination	Bezeichnung	품명	Denominación	Notes
		1	2	3								
1	VOE 14505781	1				Cover .....	Capot .....	Haube .....	커버 .....	Capo.....		
2	VOE 14505788	1				Cover .....	Capot .....	Haube .....	커버 .....	Capo.....		
3	VOE 14505789	1				Cover .....	Capot .....	Haube .....	커버 .....	Capo.....		
4	VOE 14505790	1				Cover .....	Capot .....	Haube .....	커버 .....	Capo.....		
5	VOE 14505792	1				Cover .....	Capot .....	Haube .....	커버 .....	Capo.....		
6	VOE 14505794	1				Cover .....	Capot .....	Haube .....	커버 .....	Capo.....		
7	SA 1012-00160	18				Washer.....	Rondelle.....	Scheibe.....	와셔 .....	Arandela.....		
8	SA 9011-11205	18				Bolt.....	Boulon.....	Bolzen.....	볼트 .....	Perno.....		

1	8277784	<b>Capo, bomba principal</b> 커버 , 메인 펌프 <b>Haube, Hauptpumpe</b> <b>Capot. pompe principal</b> <b>Cover, main pump</b>	Catalogue id	Group
2			<b>56141</b>	<b>821</b>
3			Illustr. No	Section
4			<b>TA168</b>	<b>500</b>
5			Issue	Page
			<b>VOE 7414356141</b>	<b>285</b>

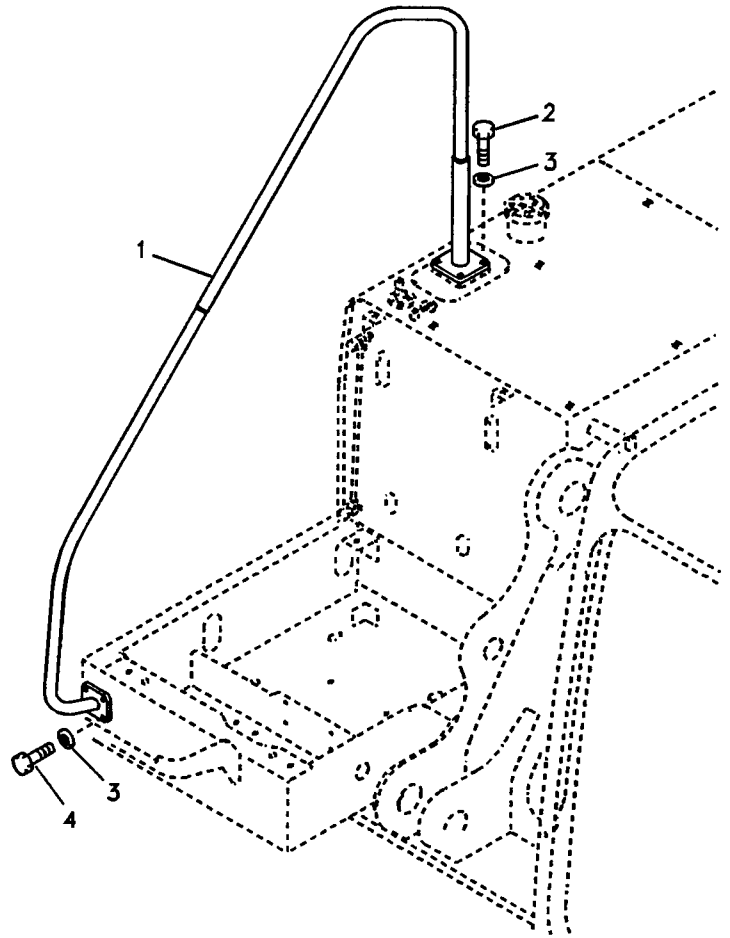


Fig.	Part No.	Quantity			P S	K I T	Description	Dénomination	Bezeichnung	품명	Denominación	Notes
		1	2	3								
1	VOE 14514951	1				Handrail.....	Main Courante .....	Geländer .....	난간 .....	Barandilla.....		
2	VOE 983251	4				Screw .....	Vis .....	Schraube .....	스크류 .....	Tornillo.....		
3	SA 9211-10000	8				Washer.....	Rondelle.....	Scheibe .....	와셔 .....	Arandela.....		
4	VOE 983253	4				Screw .....	Vis .....	Schraube .....	스크류 .....	Tornillo.....		

1	8277784	<b>Barandilla</b> 난간 <b>Handgriff</b> <b>Main courante</b> <b>Handrail</b>	Catalogue id	Group
2			<b>56141</b>	<b>827</b>
3			Illustr. No	Section
4			<b>TA169</b>	<b>100</b>
5			Issue	Page
			<b>VOE 7414356141</b>	<b>287</b>



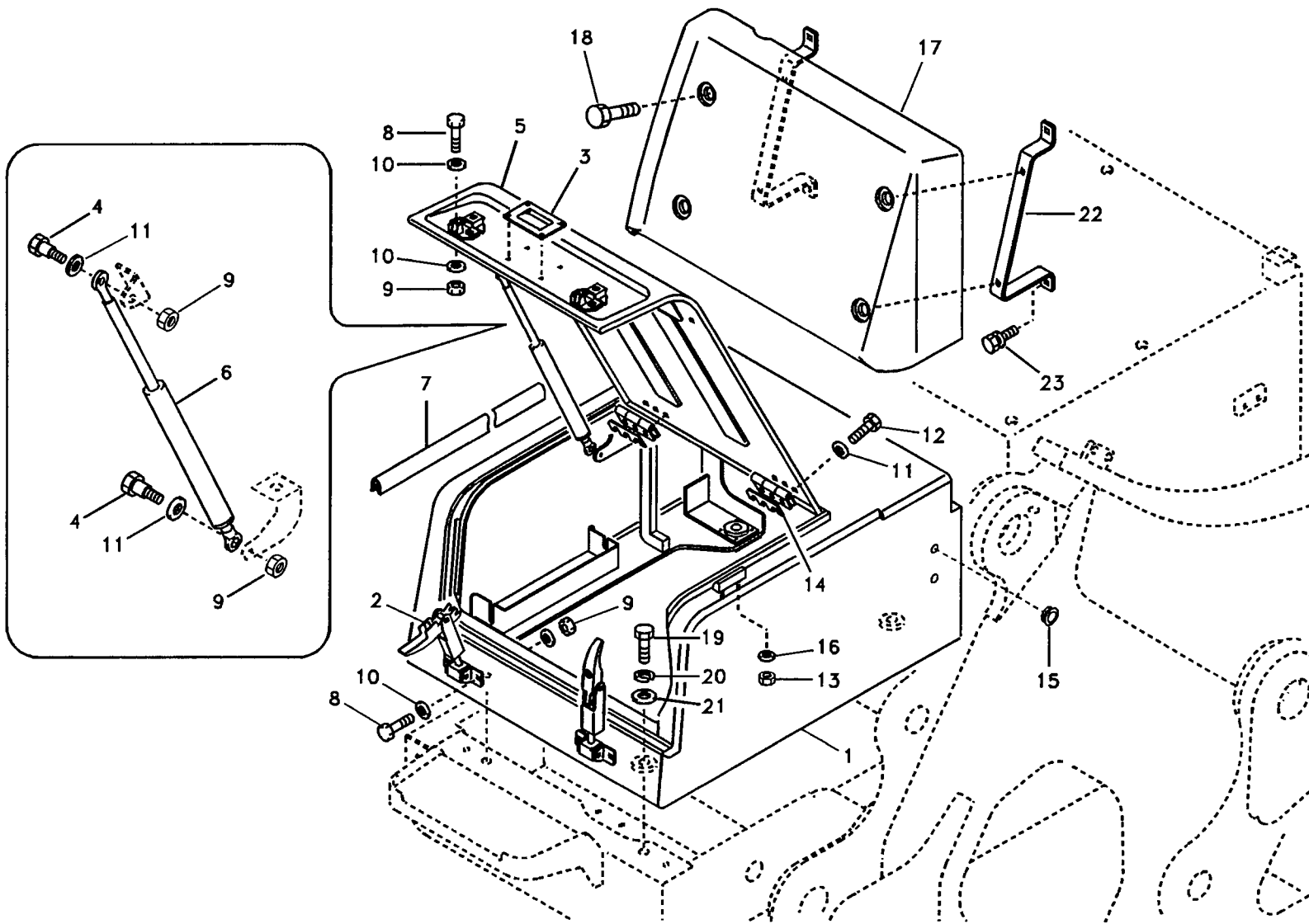


Fig.	Part No.	Quantity			P S	K I T	Description	Dénomination	Bezeichnung	품명	Denominación	Notes
		1	2	3								
	VOE 14508838	1				Tool Box.....	Boite a outils .....	Werkzeugkasten .....	공구 박스 .....	Caja herramientas.....		
1	VOE 14508840	1				•Body .....	•Carcasse.....	•Rumpf .....	•본체 .....	•Cuerpo.....		
2	VOE 14508835	2				•Catch .....	•Disque Blocage.....	•Sperrplatte .....	•캐치 .....	•Disco Bloqueo.....		
3	VOE 14508837	1				•Handle .....	•Poignee.....	•Handgriff .....	•핸들 .....	•Manilla.....		
4	SA 1162-04900	2				•Pin .....	•Goupille.....	•Zapfen.....	•핀.....	•Pasador.....		
5	VOE 14508841	1				•Door.....	•Porte .....	•Tür.....	•도어 .....	•Puerta.....		
6	VOE 14513033	1				•Gas Spring.....	•Ressort Gaz.....	•Gasfeder .....	•가스 스프링 .....	•Resorte A Gas.....		
7	SA 9572-43000	1				•Weatherstrip .....	•Leche-vitre .....	•Abstreifleiste .....	•웨더스트립 .....	•Lamelunas.....		
8	VOE 983244	8				•Screw.....	•Vis.....	•Schraube.....	•스크류 .....	•Tornillo.....		
9	SA 9131-10800	10				•Lock Nut .....	•Contre-ecrou .....	•Sicher Mutter.....	•록 너트 .....	•Contratuerca.....		
10	SA 9211-08000	16				•Washer .....	•Rondelle.....	•Scheibe .....	•와셔 .....	•Arandela.....		
11	SA 9211-10000	8				•Washer .....	•Rondelle.....	•Scheibe .....	•와셔 .....	•Arandela.....		
12	VOE 983252	6				•Screw.....	•Vis.....	•Schraube.....	•스크류 .....	•Tornillo.....		
13	SA 9131-10500	4				•Lock Nut .....	•Contre-ecrou .....	•Sicher Mutter.....	•록 너트 .....	•Contratuerca.....		
14	SA 9741-20000	2				•Shim .....	•Cale Reglage .....	•Nachstellblech.....	•심.....	•Cuna de calzar.....		
15	VOE 14513388	4				•Grommet.....	•Passe fil .....	•Durchführung .....	•그로메트 .....	•Aislador pasapanel...		
16	SA 9211-05000	4				•Washer .....	•Rondelle.....	•Scheibe .....	•와셔 .....	•Arandela.....		
17	VOE 14508839	1				Cover .....	Capot .....	Haube .....	커버 .....	Capo.....		
18	VOE 978932	4				Screw .....	Vis .....	Schraube .....	스크류 .....	Tornillo.....		
19	SA 9011-21211	4				Bolt.....	Boulon.....	Bolzen.....	볼트 .....	Perno.....		
20	VOE 955923	4				Washer.....	Rondelle.....	Scheibe .....	와셔 .....	Arandela.....		
21	SA 1012-00160	4				Washer.....	Rondelle.....	Scheibe .....	와셔 .....	Arandela.....		
22	VOE 14513034	2				Support .....	Support .....	Stütze .....	서포트 .....	Apoyo.....		
23	VOE 946329	4				Flange Screw.....	Vis A Bride .....	Flanschschraube .....	플랜지 스크류 .....	Torn Embridado.....		

1	8277784	<b>Caja de herramientas, capó</b> 공구 박스 , 카울 <b>Werkzeugkasten, Haube</b> Boîte à outils, auvent Tool box, cowl	Catalogue id	Group
2			<b>56141</b>	<b>827</b>
3			Illustr. No	Section
4			<b>TA170</b>	<b>200</b>
5			Issue	Page
		<b>VOE 7414356141</b>	<b>289</b>	

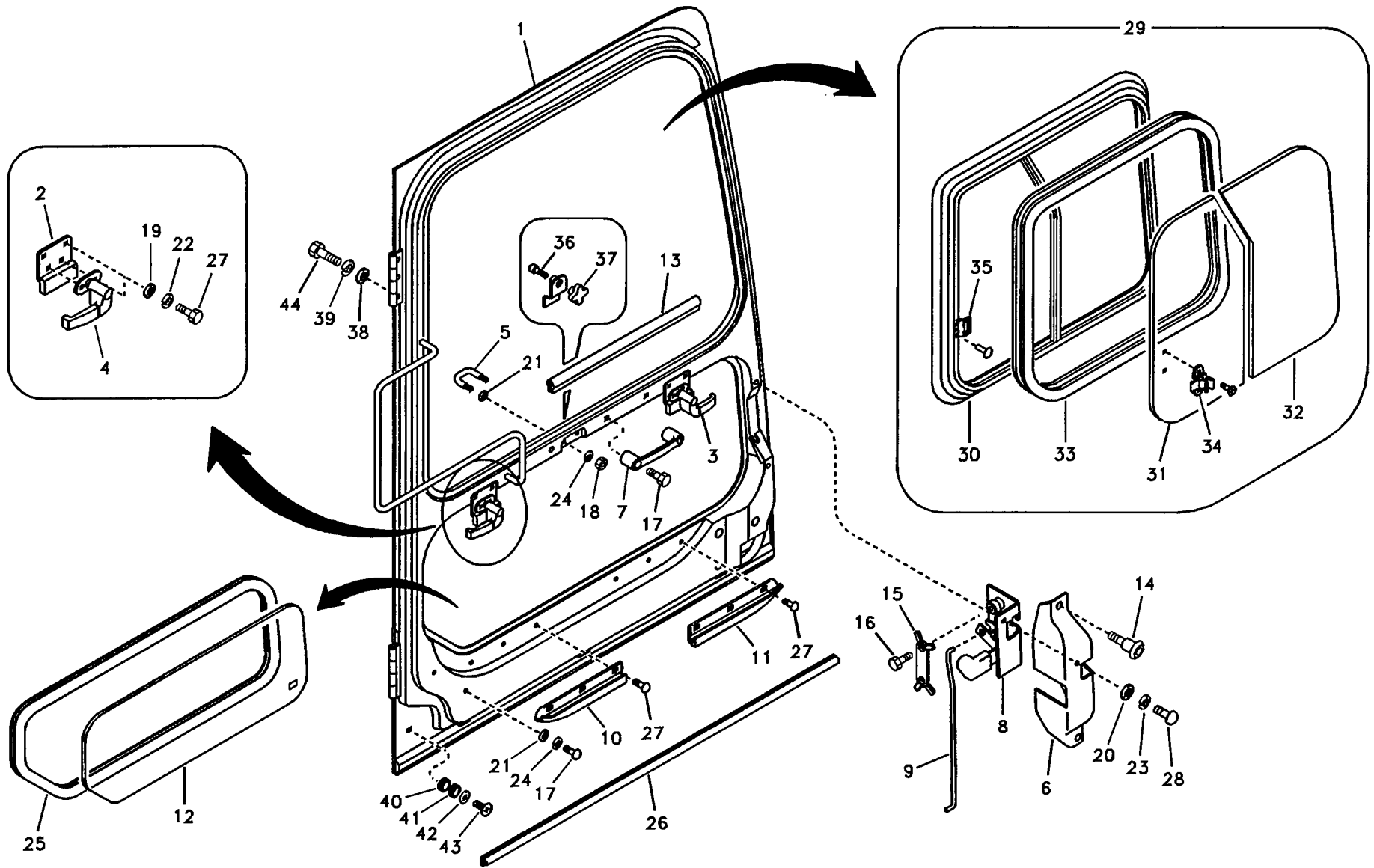


Fig.	Part No.	Quantity			P S	K I T	Description	Dénomination	Bezeichnung	품명	Denominación	Notes
		1	2	3								
	VOE 14517121	1	1			Door .....	Porte .....	Tür .....	도어 .....	Puerta .....		
1		1	1	NS		•Door .....	•Porte .....	•Tür .....	•도어 .....	•Puerta .....		
2	VOE 14506763	2	2			•Plate .....	•Plaque .....	•Platte .....	•플레이트 .....	•Placa .....		
3	VOE 14506764	1	1			•Lock .....	•Serrure .....	•Schloss .....	•록 .....	•Cierre .....		
4	VOE 14506765	1	1			•Lock .....	•Serrure .....	•Schloss .....	•록 .....	•Cierre .....		
5	VOE 14506766	1	1			•Striker .....	•Butee .....	•Hammer .....	•스트라이커 .....	•Cerrojo .....		
6	VOE 14506767	1	1			•Cover .....	•Capot .....	•Haube .....	•커버 .....	•Capo .....		
7	VOE 14506768	1	1			•Handle .....	•Poignee .....	•Handgriff .....	•핸들 .....	•Manilla .....		
8	VOE 14506769	1	1			•Lock .....	•Serrure .....	•Schloss .....	•록 .....	•Cierre .....		
9	VOE 14506770	1	1			•Rod .....	•Monture .....	•Fuhler .....	•로드 .....	•Varilla .....		
10	VOE 14506860	1	1			•Channel .....	•Barre U .....	•U-träger .....	•채널 .....	•Barra-u .....		
11	VOE 14506861	1	1			•Channel .....	•Barre U .....	•U-träger .....	•채널 .....	•Barra-u .....		
12	VOE 14508460	1	1			•Glass .....	•Glace .....	•Scheibe .....	•글라스 .....	•Vidrio .....		
13	VOE 14508693	1	1			•Weatherstrip .....	•Leche-vitre .....	•Abstreifleiste .....	•웨더스트립 .....	•Lamelunas .....		
14	VOE 14511328	1	1			•Fastener .....	•Attache .....	•Befestigung .....	•파스너 .....	•Atadura .....		
15	VOE 14513798	1	1			•Plate .....	•Plaque .....	•Platte .....	•플레이트 .....	•Placa .....		
16	SA 9011-20606	2	2			•Bolt .....	•Boulon .....	•Bolzen .....	•볼트 .....	•Perno .....		
17	SA 9021-10804	4	4			•Screw .....	•Vis .....	•Schraube .....	•스크류 .....	•Tornillo .....		
18	SA 9118-10800	2	2			•Nut .....	•Ecrou .....	•Mutter .....	•너트 .....	•Tuerca .....		
19	VOE 940090	8	8			•Washer .....	•Rondelle .....	•Scheibe .....	•와셔 .....	•Arandela .....		
20	VOE 955892	1	1			•Washer .....	•Rondelle .....	•Scheibe .....	•와셔 .....	•Arandela .....		
21	VOE 955894	6	6	SS		•Washer .....	•Rondelle .....	•Scheibe .....	•와셔 .....	•Arandela .....		
22	VOE 955918	8	8			•Spring Washer .....	•Rondelle ressort .....	•Federscheibe .....	•스프링 와셔 .....	•Arandela resorte .....		
23	VOE 955919	1	1			•Spring Washer .....	•Rondelle ressort .....	•Federscheibe .....	•스프링 와셔 .....	•Arandela resorte .....		
24	VOE 955921	4	4			•Spring Washer .....	•Rondelle ressort .....	•Federscheibe .....	•스프링 와셔 .....	•Arandela resorte .....		
25	SA 9571-22250	1	1			•Weatherstrip .....	•Leche-vitre .....	•Abstreifleiste .....	•웨더스트립 .....	•Lamelunas .....		
26	VOE 14515453	1	1			•Weatherstrip .....	•Leche-vitre .....	•Abstreifleiste .....	•웨더스트립 .....	•Lamelunas .....		
27	VOE 969405	14	14			•6-pt Skt Screw .....	•Vis Creuse 6 De .....	•6-zahn Hohlschr .....	•6 포인트 소켓 스크류 .....	•Racor 6-dientes .....		
28	VOE 969420	1	1			•6-pt Skt Screw .....	•Vis Creuse 6 De .....	•6-zahn Hohlschr .....	•6 포인트 소켓 스크류 .....	•Racor 6-dientes .....		
29	VOE 14517120	1	1			•Window .....	•Vitre .....	•Fensterscheibe .....	•윈도우 .....	•Ventana .....		

1	8277140	<b>Puerta, cabina</b> 운전실 도어 <b>Tür, Fahrerkabine</b> <b>Porte, cabine conducteur</b> <b>Door, operator's cab</b>	Catalogue id	Group
2	8277142		<b>56141</b>	<b>830</b>
3			Illustr. No	Section
4			<b>TA171</b>	<b>100</b>
5			Issue	Page
			<b>VOE 7414356141</b>	<b>291</b>

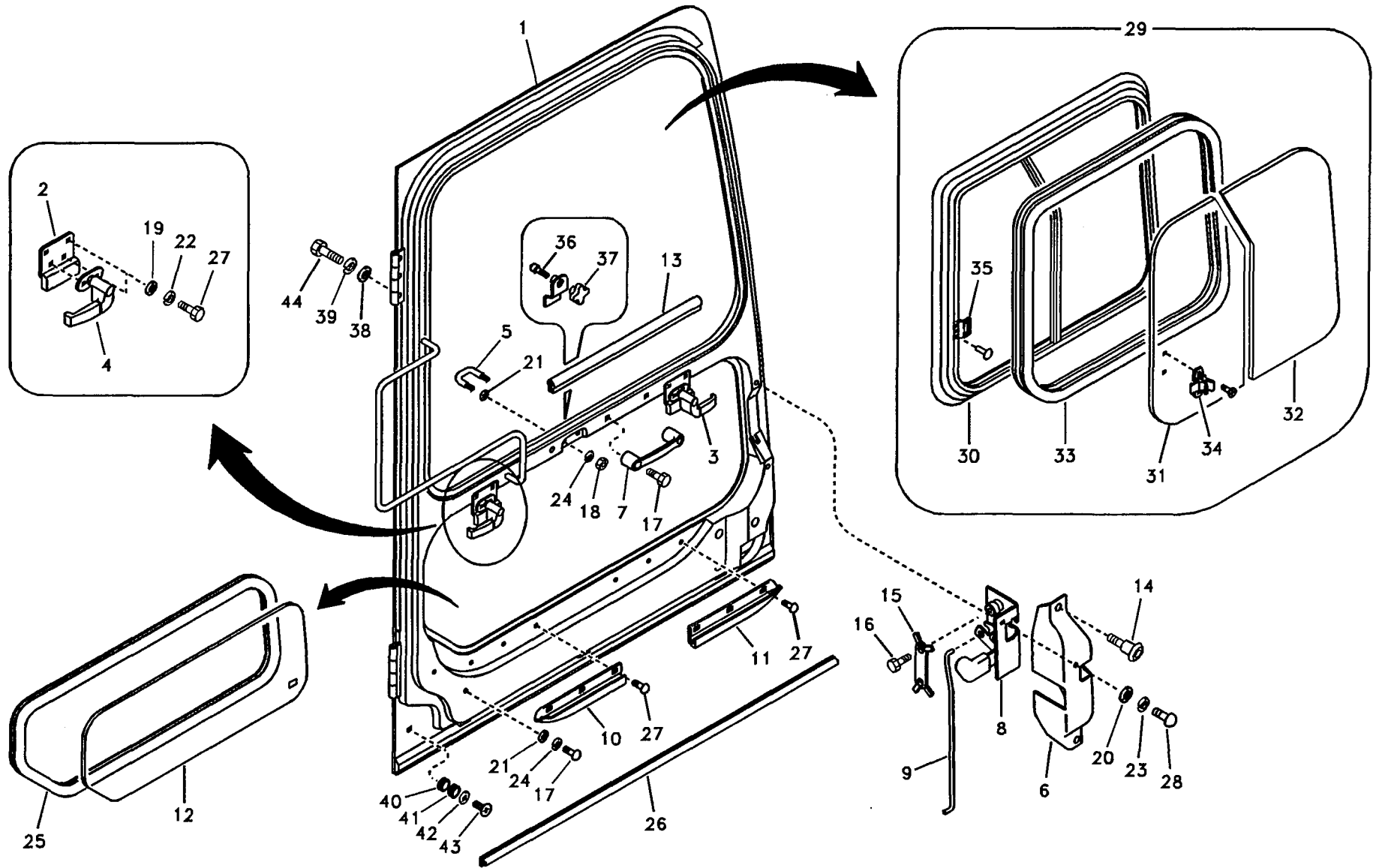


Fig.	Part No.	Quantity			P S	K I T	Description	Dénomination	Bezeichnung	품명	Denominación	Notes
		1	2	3								
30		1	1			NS	••Frame .....	••Chassis.....	••Rahmen .....	••프레임 .....	••Bastidor.....	
31	VOE 14506773	1	1				••Glass .....	••Glace .....	••Scheibe.....	••글라스 .....	••Vidrio.....	
32	VOE 14506774	1	1				••Glass .....	••Glace .....	••Scheibe.....	••글라스 .....	••Vidrio.....	
33	VOE 14506776	1	1				••Weatherstrip .....	••Leche-vitre.....	••Abstreifleiste .....	••웨더스트립 .....	••Lamelunas.....	
34	VOE 14515078	1	1				••Lock.....	••Serrure.....	••Schloss .....	••록 .....	••Cierre.....	
35	VOE 14515079	1	1				••Catch .....	••Disque Blocage .....	••Sperrplatte .....	••캐치 .....	••Disco Bloqueo.....	
36	VOE 14516763	1	1				•Stopper .....	•.....	•.....	•스토퍼 .....	•.....	
37	VOE 14516964	1	1				•Knob .....	•Bouton .....	•Knauf .....	•손잡이 .....	•Boton.....	
38	VOE 960148	6	6			SS	Washer.....	Rondelle.....	Scheibe .....	와셔 .....	Arandela.....	
39	VOE 955922	6	6				Spring Washer .....	Rondelle ressort.....	Federscheibe.....	스프링 와셔 .....	Arandela resorte.....	
40	SA 0941501008	1	1				Grommet.....	Passe fil .....	Durchführung.....	그로메트 .....	Aislador pasapanel....	
41	SA 1023-02350	1	1				Grommet.....	Passe fil .....	Durchführung.....	그로메트 .....	Aislador pasapanel....	
42	VOE 940090	1	1				Washer.....	Rondelle.....	Scheibe .....	와셔 .....	Arandela.....	
43	VOE 969407	1	1				6-pt Skt Screw.....	Vis Creuse 6 De.....	6-zahn Hohlschr.....	6 포인트 소켓 스크류.....	Racor 6-dientes.....	
44	VOE 983251	6	6				Screw.....	Vis .....	Schraube .....	스크류 .....	Tornillo.....	

1	8277140	<b>Puerta, cabina</b> 운전실 도어 <b>Tür, Fahrerkabine</b> Porte, cabine conducteur Door, operator's cab	Catalogue id	Group
2	8277142		<b>56141</b>	<b>830</b>
3			Illustr. No	Section
4			<b>TA171</b>	<b>100</b>
5			Issue	Page
		<b>VOE 7414356141</b>	<b>293</b>	

**VOLVO**

**EC210B**

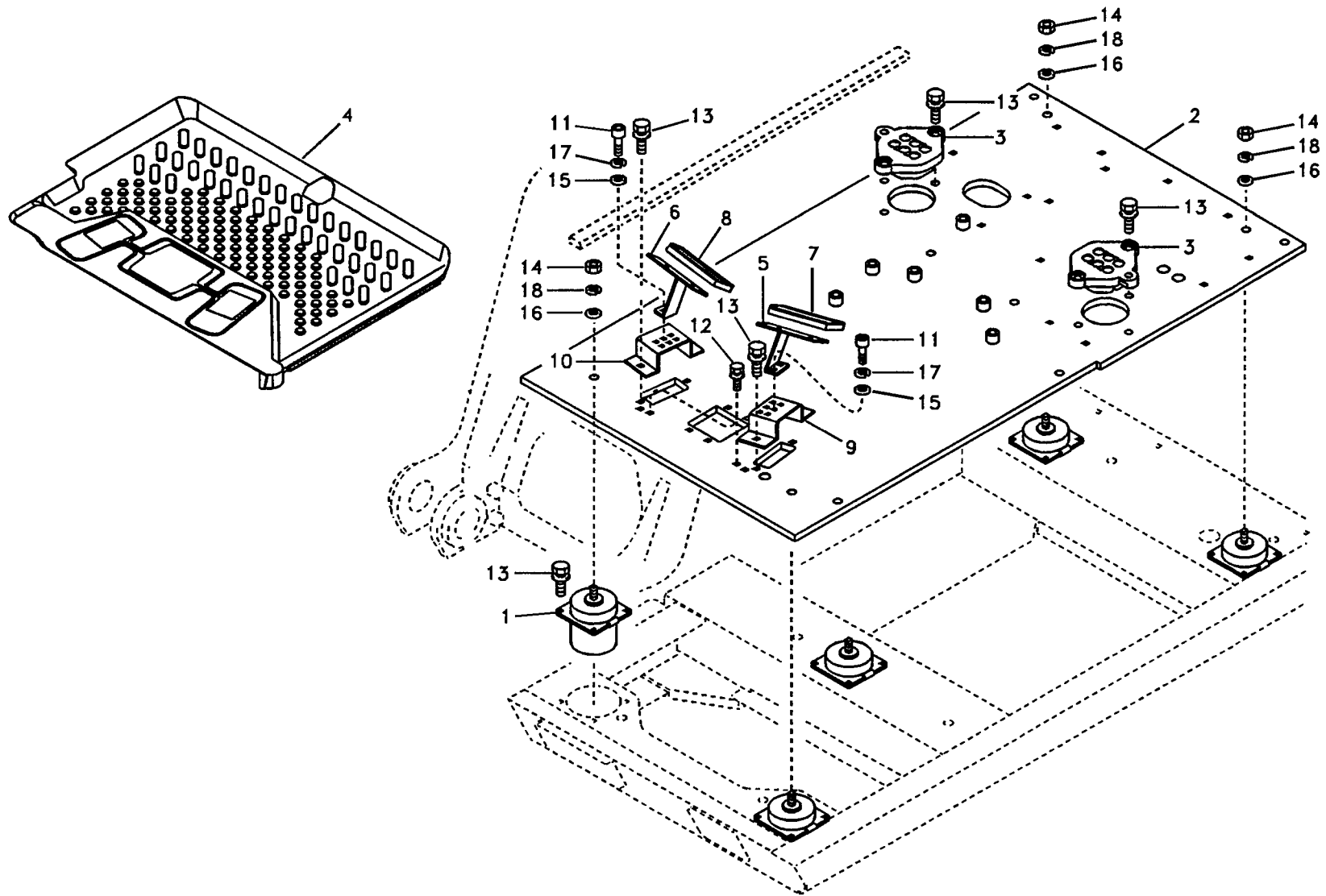


Fig.	Part No.	Quantity			P S	K I T	Description	Dénomination	Bezeichnung	품명	Denominación	Notes
		1	2	3								
1	SA 1161-00071	5				Bracket.....	Ferrure-support .....	Tragstutse.....	브라켓 .....	Hierro Apoyo.....		
2	VOE 14503678	1				Plate.....	Plaque .....	Platte .....	플레이트 .....	Placa.....		
3	VOE 14503680	2				Seal.....	Joint .....	Dichtring .....	시일 .....	Junta.....		
4	VOE 14508103	1				Floor.....	Plancher.....	Boden .....	플로어 .....	Piso.....		
5	VOE 14508107	1				Plate.....	Plaque .....	Platte .....	플레이트 .....	Placa.....		
6	VOE 14508108	1				Plate.....	Plaque .....	Platte .....	플레이트 .....	Placa.....		
7	VOE 14508248	1				Cover .....	Capot .....	Haube .....	커버 .....	Capo.....		
8	VOE 14508249	1				Cover .....	Capot .....	Haube .....	커버 .....	Capo.....		
9	VOE 14508623	1				Bracket.....	Console.....	Konsole .....	브라켓 .....	Ménsula.....		
10	VOE 14508624	1				Bracket.....	Console.....	Konsole .....	브라켓 .....	Ménsula.....		
11	VOE 967631	4				Screw.....	Vis .....	Schraube .....	스크류 .....	Tomillo.....		
12	VOE 946471	4				Flange Screw .....	Vis A Bride .....	Flanschschraube .....	플랜지 스크류 .....	Torn Embridado.....		
13	VOE 946472	30				Flange Screw .....	Vis A Bride .....	Flanschschraube .....	플랜지 스크류 .....	Torn Embridado.....		
14	VOE 979021	5				Nut .....	Ecrou.....	Mutter .....	너트 .....	Tuerca.....		
15	VOE 955894	4				Washer.....	Rondelle.....	Scheibe .....	와셔 .....	Arandela.....		
16	VOE 955900	5				Washer.....	Rondelle.....	Scheibe .....	와셔 .....	Arandela.....		
17	VOE 955921	4				Spring Washer .....	Rondelle ressort.....	Federscheibe.....	스프링 와셔 .....	Arandela resorte.....		
18	VOE 955926	5				Spring Washer .....	Rondelle ressort.....	Federscheibe.....	스프링 와셔 .....	Arandela resorte.....		

1	8277784	<b>Suelo de cabina</b> 운전실 플로어 <b>Kabinenboden</b> <b>Plancher de cabine</b> <b>Cabin floor</b>	Catalogue id	Group
2			<b>56141</b>	<b>837</b>
3			Illustr. No	Section
4			<b>TA172</b>	<b>100</b>
5			Issue	Page
			<b>VOE 7414356141</b>	<b>295</b>



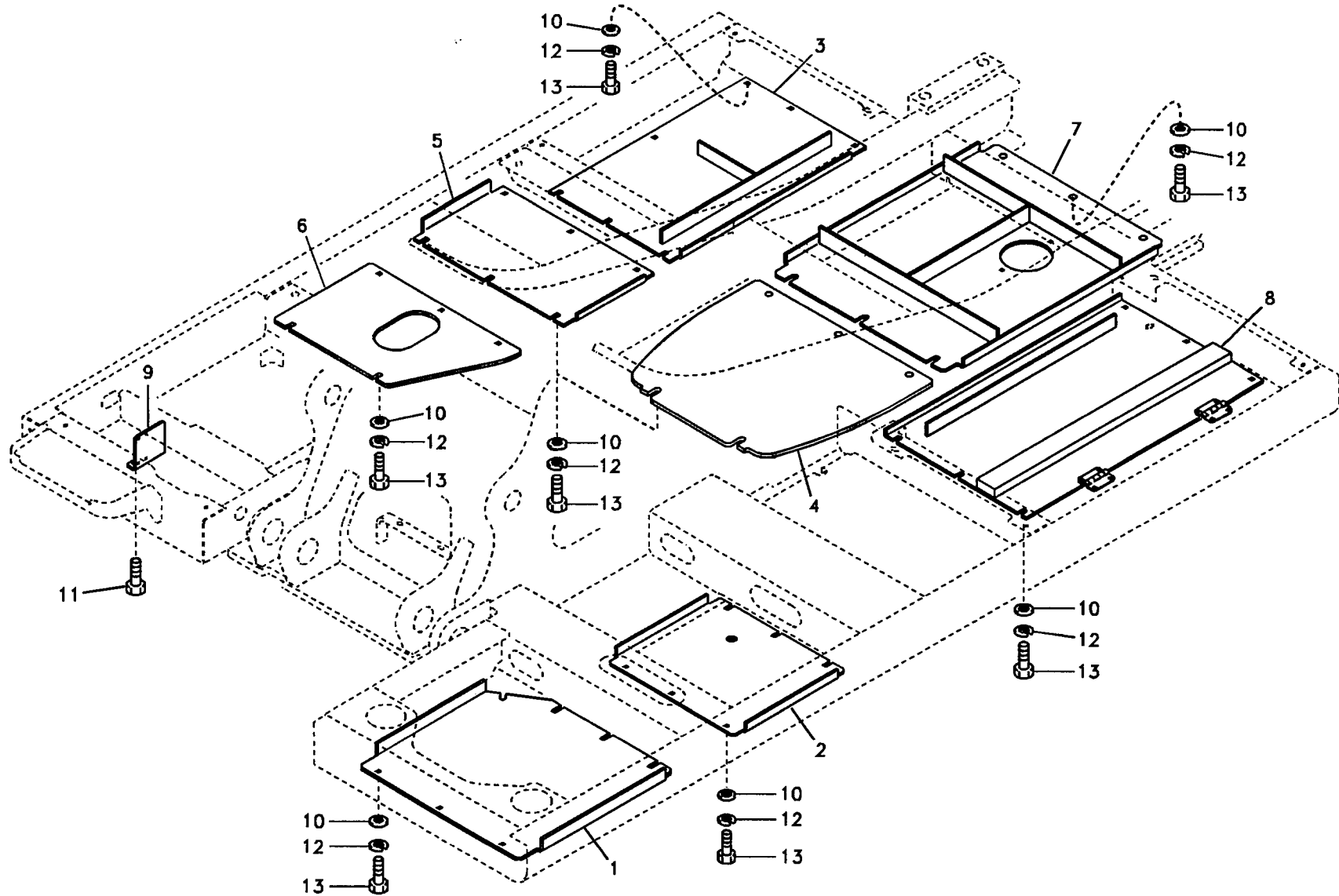


Fig.	Part No.	Quantity			P S	K I T	Description	Dénomination	Bezeichnung	품명	Denominación	Notes
		1	2	3								
1	VOE 14504851	1				Cover .....	Capot .....	Haube .....	커버 .....	Capa.....		
	VOE 14504857		1			Cover .....	Capot .....	Haube .....	커버 .....	Capa.....		
2	VOE 14504852	1				Cover .....	Capot .....	Haube .....	커버 .....	Capa.....		
	VOE 14504858		1			Cover .....	Capot .....	Haube .....	커버 .....	Capa.....		
3	VOE 14504855	1				Cover .....	Capot .....	Haube .....	커버 .....	Capa.....		
	VOE 14504861		1			Cover .....	Capot .....	Haube .....	커버 .....	Capa.....		
4	VOE 14504864		1			Cover .....	Capot .....	Haube .....	커버 .....	Capa.....		
5	VOE 14504856	1				Cover .....	Capot .....	Haube .....	커버 .....	Capa.....		
	VOE 14504862		1			Cover .....	Capot .....	Haube .....	커버 .....	Capa.....		
6	VOE 14504863		1			Cover .....	Capot .....	Haube .....	커버 .....	Capa.....		
7	VOE 14504854	1				Cover .....	Capot .....	Haube .....	커버 .....	Capa.....		
	VOE 14504860		1			Cover .....	Capot .....	Haube .....	커버 .....	Capa.....		
8	VOE 14516344	1				Cover .....	Capot .....	Haube .....	커버 .....	Capa.....		
	VOE 14516345		1			Cover .....	Capot .....	Haube .....	커버 .....	Capa.....		
9	VOE 14514062	1	1			Plate .....	Plaque .....	Platte .....	플레이트 .....	Placa.....		
10	SA 2051-01950	42	52			Washer.....	Rondelle .....	Scheibe .....	와셔 .....	Arandela.....		
11	VOE 946471	2	2			Flange Screw .....	Vis A Bride .....	Flanschschraube .....	플랜지 스크류 .....	Torn Embridado.....		
12	VOE 955923	42	52			Washer.....	Rondelle .....	Scheibe .....	와셔 .....	Arandela.....		
13	VOE 978932	42	52			Screw .....	Vis .....	Schraube .....	스크류 .....	Tornillo.....		

1	8277804	<b>Tapas bajo el motor, bombas hidr., enfriador, válvula p. y dep</b> 보텀 커버 플레이트 <b>Luken unter Motor, Hyd.pumpen, Kühler, M.ventil und Tank</b> <b>Trappes sous moteur, pompes hydr., radiateur, valves et réservoir carbura</b> <b>Hatches under engine, hydr.pumps, cooler, m.valve and fuel tank.</b>	Catalogue id	Group
2	8277805		<b>56141</b>	<b>837</b>
3			Illustr. No	Section
4			<b>TA173</b>	<b>200</b>
5			Issue	Page
		<b>VOE 7414356141</b>	<b>297</b>	

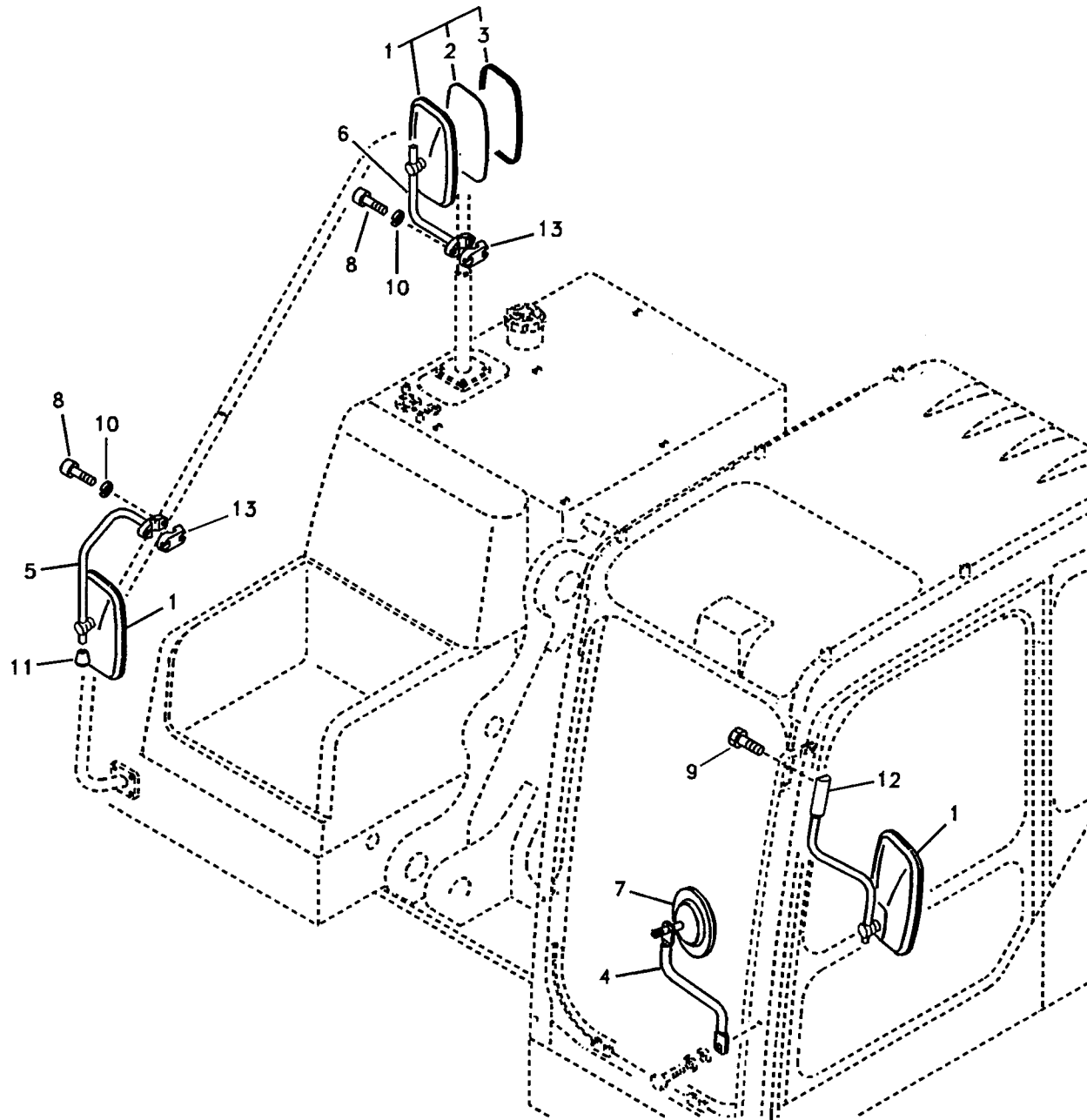


Fig.	Part No.	Quantity			P S	K I T	Description	Dénomination	Bezeichnung	품명	Denominación	Notes
		1	2	3								
1	VOE 14513749	3				Mirror.....	Miroir .....	Spiegel.....	미러 .....	Espejo.....		
2	VOE 14517743	1				•Mirror .....	•Miroir.....	•Spiegel.....	•미러 .....	•Espejo.....		
3	VOE 14517744	1				•Rubber.....	•Caoutchouc.....	•Gummi .....	•고무 .....	•Caucho.....		
4	SA 1166-30540	1				Support .....	Support .....	Stütze .....	서포트 .....	Apoyo.....		
5	VOE 14514952	1				Stay.....	Tirant.....	Strebe .....	스태이 .....	Barra.....		
6	VOE 14513748	1				Stay.....	Tirant.....	Strebe .....	스태이 .....	Barra.....		
7	SA 2368943	1				Mirror.....	Miroir .....	Spiegel.....	미러 .....	Espejo.....		
8	SA 9016-11005	2				Bolt.....	Boulon.....	Bolzen.....	볼트 .....	Perno.....		
9	VOE 946440	2				Flange Screw.....	Vis A Bride .....	Flanschschraube .....	플랜지 스크류 .....	Torn Embridado.....		
10	SA 9213-10000	4				Washer.....	Rondelle.....	Scheibe .....	와셔 .....	Arandela.....		
11	VOE 14515348	1				Cap .....	Chapeau .....	Kappe .....	캡 .....	Caperuza.....		
12	SA 1066-09960	1				Support .....	Support .....	Stütze .....	서포트 .....	Apoyo.....		
13	SA 1166-02610	2				Block .....	Bloc.....	Block .....	블록 .....	Bloque.....		

1	8277784	<b>Espejo retrovisor</b> 후사경 <b>Rückspiegel</b> <b>Rétroiseur</b> <b>Rear view mirror</b>	Catalogue id	Group
2			<b>56141</b>	<b>841</b>
3			Illustr. No	Section
4			<b>TA174</b>	<b>100</b>
5			Issue	Page
			<b>VOE 7414356141</b>	<b>299</b>

**VOLVO**

**EC210B**

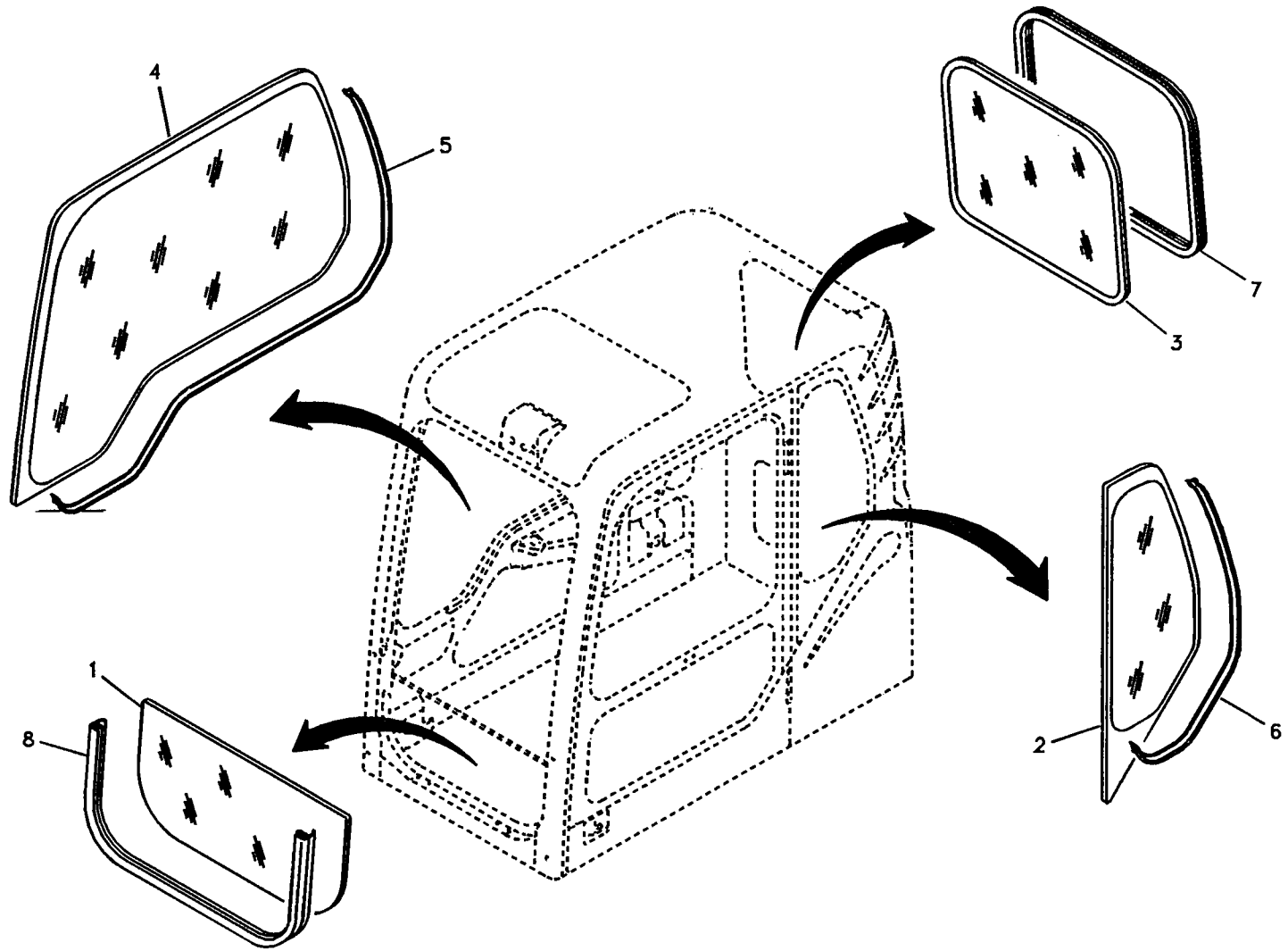


Fig.	Part No.	Quantity			P S	K I T	Description	Dénomination	Bezeichnung	품명	Denominación	Notes
		1	2	3								
1	VOE 14506844	1	1			Glass.....	Glace.....	Scheibe .....	글라스 .....	Vidrio.....		
2	VOE 14508461	1	1			Glass.....	Glace.....	Scheibe .....	글라스 .....	Vidrio.....		
3	VOE 14508462	1	1			Glass.....	Glace.....	Scheibe .....	글라스 .....	Vidrio.....		
4	VOE 14508463	1	1			Glass.....	Glace.....	Scheibe .....	글라스 .....	Vidrio.....		
5	SA 9571-24500	1	1			Weatherstrip.....	Leche-vitre .....	Abstreifleiste.....	웨더스트립 .....	Lamelunas .....		
6	SA 9571-22000	1	1			Weatherstrip.....	Leche-vitre .....	Abstreifleiste.....	웨더스트립 .....	Lamelunas .....		
7	SA 9571-22500	1	1			Weatherstrip.....	Leche-vitre .....	Abstreifleiste.....	웨더스트립 .....	Lamelunas .....		
8	VOE 14515380	1	1			Weatherstrip.....	Leche-vitre .....	Abstreifleiste.....	웨더스트립 .....	Lamelunas .....		

1	8277140	<b>Ventanas</b> 운전실 글라스 <b>Fenster</b> <b>Fenêtres</b> <b>Windows</b>	Catalogue id	Group
2	8277142		<b>56141</b>	<b>843</b>
3			Illustr. No	Section
4			<b>TA175</b>	<b>100</b>
5			Issue	Page
			<b>VOE 7414356141</b>	<b>301</b>

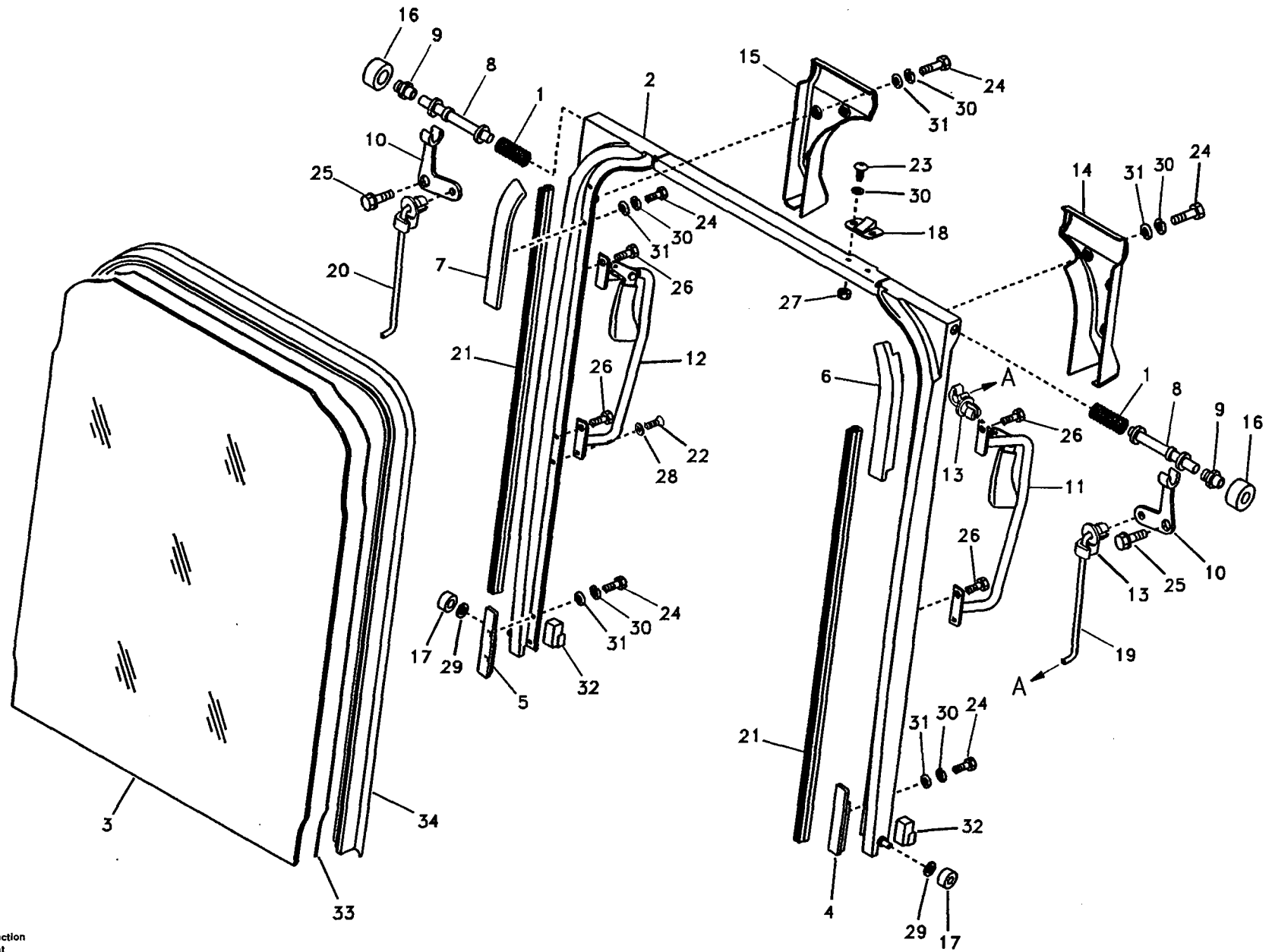


Fig.	Part No.	Quantity			P S	K I T	Description	Dénomination	Bezeichnung	품명	Denominación	Notes
		1	2	3								
		1	1			NS	Shield .....	Tole-ecran .....	Schirmblech .....	실드 .....	Placa Guardab.....	
1	SA 1060-67840	2	2				•Spring .....	•Ressort .....	•Feder.....	•스프링 .....	•Muelle.....	
2	VOE 14506806	1	1				•Shield.....	•Tole-ecran.....	•Schirmblech .....	•실드 .....	•Placa Guardab.....	
3	VOE 14506807	1	1				•Glass .....	•Glace .....	•Scheibe .....	•글라스 .....	•Vidrio.....	
4	VOE 14506808	1	1				•Block .....	•Bloc .....	•Block .....	•블록 .....	•Bloque.....	
5	VOE 14506809	1	1				•Block .....	•Bloc .....	•Block .....	•블록 .....	•Bloque.....	
6	VOE 14506810	1	1				•Block .....	•Bloc .....	•Block .....	•블록 .....	•Bloque.....	
7	VOE 14506811	1	1				•Block .....	•Bloc .....	•Block .....	•블록 .....	•Bloque.....	
8	VOE 14506812	2	2				•Pin .....	•Goupille.....	•Zapfen.....	•핀 .....	•Pasador.....	
9	VOE 14506813	2	2				•Bushing.....	•Bague .....	•Buchse .....	•부싱 .....	•Casquillo.....	
10	VOE 14506814	2	2				•Lever.....	•Levier .....	•Hebel.....	•레버 .....	•Palanca.....	
11	VOE 14506815	1	1				•Handle .....	•Poignee.....	•Handgriff .....	•핸들 .....	•Manilla.....	
12	VOE 14506816	1	1				•Handle .....	•Poignee.....	•Handgriff .....	•핸들 .....	•Manilla.....	
13	VOE 14506818	4	4				•Connector .....	•Raccord .....	•Anschluss.....	•커넥터 .....	•Union.....	
14	VOE 14506819	1	1				•Cover .....	•Capot .....	•Haube .....	•커버 .....	•Capo.....	
15	VOE 14506820	1	1				•Cover .....	•Capot .....	•Haube .....	•커버 .....	•Capo.....	
16	VOE 14506823	2	2				•Roller .....	•Galet .....	•Rolle.....	•롤러 .....	•Rodillo.....	
17	VOE 14506824	2	2				•Roller .....	•Galet .....	•Rolle.....	•롤러 .....	•Rodillo.....	
18	VOE 14506825	1	1				•Stop .....	•Arrêt.....	•Anschlag .....	•스톱 .....	•Parada.....	
19	VOE 14508073	1	1				•Rod .....	•Monture.....	•Fuhler.....	•로드 .....	•Varilla.....	
20	VOE 14508074	1	1				•Rod .....	•Monture.....	•Fuhler.....	•로드 .....	•Varilla.....	
21	VOE 14508377	2	2				•Weatherstrip .....	•Leche-vitre .....	•Abstreifleiste .....	•웨더스트립 .....	•Lamelunas.....	
22	SA 9021-10401	2	2				•Screw.....	•Vis .....	•Schraube.....	•스크류 .....	•Tornillo.....	
23	VOE 969405	2	2				•6-pt Skt Screw .....	•Vis Creuse 6 De.....	•6-zahn Hohlschr.....	•6 포인트 소켓 스크류	•Racor 6-dientes.....	
24	VOE 969407	14	14				•6-pt Skt Screw .....	•Vis Creuse 6 De.....	•6-zahn Hohlschr.....	•6 포인트 소켓 스크류	•Racor 6-dientes.....	
25	VOE 965175	2	2				•Screw.....	•Vis .....	•Schraube.....	•스크류 .....	•Tornillo.....	
26	VOE 946440	4	4				•Flange Screw.....	•Vis A Bride .....	•Flanschschraube.....	•플랜지 스크류 .....	•Torn Embridado.....	
27	SA 9118-10500	2	2				•Nut .....	•Ecrou .....	•Mutter.....	•너트 .....	•Tuerca.....	
28	SA 9211-04000	2	2				•Washer .....	•Rondelle.....	•Scheibe .....	•와셔 .....	•Arandela.....	
29	VOE 955894	2	2			SS	•Washer .....	•Rondelle.....	•Scheibe .....	•와셔 .....	•Arandela.....	

1	8277140	<b>Parabrisas</b> 앞 유리창 <b>Frontscheibe</b> <b>Pare-brise</b> <b>Windshield</b>	Catalogue id	Group
2	8277142		<b>56141</b>	<b>843</b>
3			Illustr. No	Section
4			<b>TA176</b>	<b>200</b>
5			Issue	Page
			<b>VOE 7414356141</b>	<b>303</b>



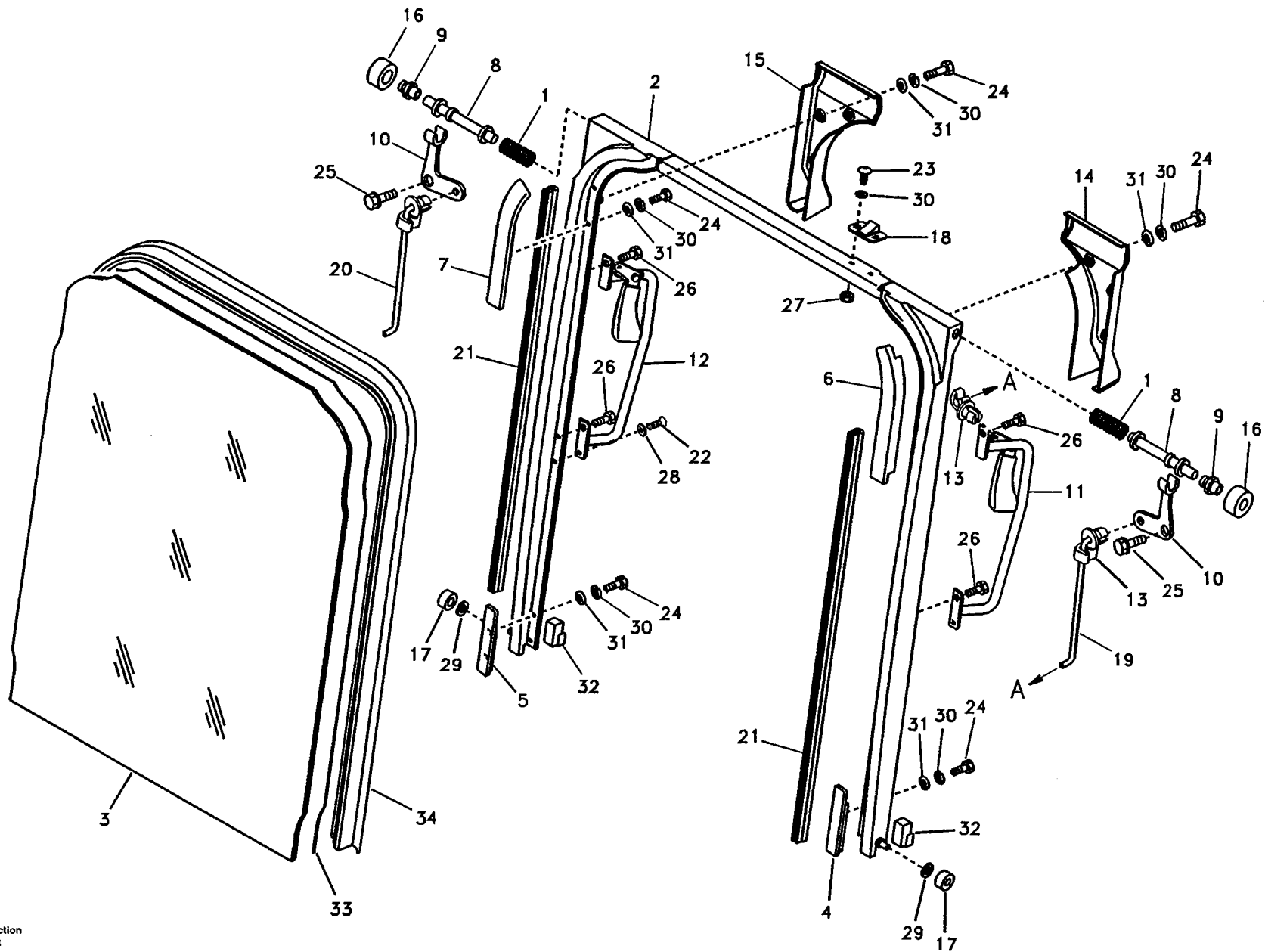


Fig.	Part No.	Quantity			P S	K I T	Description	Dénomination	Bezeichnung	품명	Denominación	Notes
		1	2	3								
30	VOE 955918	16	16			•Spring Washer .....	•Rondelle ressort.....	•Federscheibe .....	• 스프링 와셔 .....	•Arandela resorte.....		
31	VOE 940090	14	14			•Washer .....	•Rondelle.....	•Scheibe .....	• 와셔 .....	•Arandela.....		
32	VOE 14515584	2	2			•Plug .....	•Bouchon.....	•Stopfen .....	• 플러그 .....	•Tapon.....		
33	VOE 14517763	1	1			•Rubber .....	•Caoutchouc.....	•Gummi .....	• 고무 .....	•Caucho.....		
34	VOE 14508497	1	1			Weatherstrip.....	Leche-vitre .....	Abstreifleiste.....	웨더스트립 .....	Lamelunas.....		

1	8277140	<b>Parabrisas</b> 앞 유리창 <b>Frontscheibe</b> <b>Pare-brise</b> <b>Windshield</b>	Catalogue id	Group
2	8277142		<b>56141</b>	<b>843</b>
3			Illustr. No	Section
4			<b>TA176</b>	<b>200</b>
5			Issue	Page
			<b>VOE 7414356141</b>	<b>305</b>

**VOLVO**

**EC210B**



Fig.	Part No.	Quantity			P S	K I T	Description	Dénomination	Bezeichnung	품명	Denominación	Notes
		1	2	3								
	VOE 14508488	1				Operator seat.....	Siege conducteur.....	Fahrsitz .....	운전석 .....	Asiento conductor.....		
	VOE 14508490		1	1		Operator seat.....	Siege conducteur.....	Fahrsitz .....	운전석 .....	Asiento conductor.....		
1	SA 2067-00100	1	1	1		•Head Restraint.....	•Appui-tete .....	•Nackenstutze .....	•헤드 레스트 .....	•Respaldo Nuca.....		
2	VOE 14513750	1	1	1		•Arm Rest.....	•Accoudoir.....	•Armlehne.....	•팔걸이 .....	•Reposabrazos.....		
3	VOE 14513751	1	1	1		•Arm Rest.....	•Accoudoir.....	•Armlehne.....	•팔걸이 .....	•Reposabrazos.....		
4	VOE 14513752	1	1	1		•Seat Belt .....	•Ceintu.securite .....	•Sicherheitsgurt.....	•시트 벨트.....	•Cint Seguridad.....		
5	VOE 14513755	1	1	1		•Cushion .....	•Coussin.....	•Sitzkissen.....	•쿠션 .....	•Cojin.....		
6	VOE 14513756	1	1	1		•Cushion .....	•Coussin.....	•Sitzkissen.....	•쿠션 .....	•Cojin.....		
7	VOE 14513753	1	1	1		•Belt .....	•Courroie.....	•Riemen.....	•벨트 .....	•Correa.....		
8	VOE 14513754		1	1		•Heater .....	•Eleme.chauffage.....	•Heizkörper.....	•히터 .....	•Calefaccion.....		
9	VOE 14513757	1	1	1		•Slide.....	•Tiroir.....	•Schieber.....	•슬라이드.....	•Corredera.....		
10	VOE 14513758	1	1	1		•Bellows .....	•Capot Caoutcho.....	•Gummimantel.....	•벨로즈 .....	•Cubierta Goma.....		
11	VOE 14508489	1	1			Seat Support.....	Bati Siege.....	Sitzträger .....	운전석 서포트 .....	Soporte Asiento.....		
	VOE 14509697			1		Seat Support.....	Bati Siege.....	Sitzträger .....	운전석 서포트 .....	Soporte Asiento.....		
12	VOE 14513759	1	1			•Bellows .....	•Capot Caoutcho.....	•Gummimantel.....	•벨로즈 .....	•Cubierta Goma.....		
	VOE 14513760			1		•Bellows .....	•Capot Caoutcho.....	•Gummimantel.....	•벨로즈 .....	•Cubierta Goma.....		
13	VOE 14513761	1	1	1		•Slide.....	•Tiroir.....	•Schieber.....	•슬라이드.....	•Corredera.....		
14	VOE 14513762			1		•Cushion .....	•Coussin.....	•Sitzkissen.....	•쿠션 .....	•Cojin.....		
15	VOE 14513763			1		•Tube .....	•Tube.....	•Rohr .....	•튜브 .....	•Tubo.....		
16	VOE 14513764	1	1	1		•Damper .....	•Amortisseur.....	•Dämpfer .....	•댐퍼 .....	•Amortiguador.....		
17	VOE 14513765	1	1			•Adj Device .....	•Disposi.reglage.....	•Nachst Vorrng .....	•조정기 .....	•Disposit Ajuste.....		
18	VOE 14503686	1	1	1		Bracket.....	Console.....	Konsole .....	브라켓 .....	Ménsula.....		
19	VOE 946671	2	2	2		Flange Screw.....	Vis A Bride .....	Flanschschraube .....	플랜지 스크류 .....	Torn Embridado.....		
20	VOE 955922	2	2	2		Spring Washer .....	Rondelle ressort.....	Federscheibe.....	스프링 와셔 .....	Arandela resorte.....		
21	VOE 960148	2	2	2		Washer.....	Rondelle.....	Scheibe .....	와셔 .....	Arandela.....		
22	VOE 983256	2	2	2		Screw.....	Vis.....	Schraube .....	스크류 .....	Tornillo.....		
23	VOE 955894	4	4	4		Washer.....	Rondelle.....	Scheibe .....	와셔 .....	Arandela.....		
24	VOE 955921	4	4	4		Spring Washer .....	Rondelle ressort.....	Federscheibe.....	스프링 와셔 .....	Arandela resorte.....		
25	VOE 948400	4	4	4		Screw.....	Vis.....	Schraube .....	스크류 .....	Tornillo.....		
26	VOE 967630	8	8	8		Screw.....	Vis.....	Schraube .....	스크류 .....	Tornillo.....		

1	8277143	<b>Asiento del conductor con piezas de montaje</b> 운전석 및 장착 부품 <b>Fahrsitz mit Anbauteilen</b> <b>Siège conducteur avec pièces de montage</b> <b>Operator seat with fitting parts</b>	Catalogue id	Group
2	8277144		<b>56141</b>	<b>852</b>
3	8277145		Illustr. No	Section
4			<b>TA177</b>	<b>100</b>
5			Issue	Page
		<b>VOE 7414356141</b>	<b>307</b>	

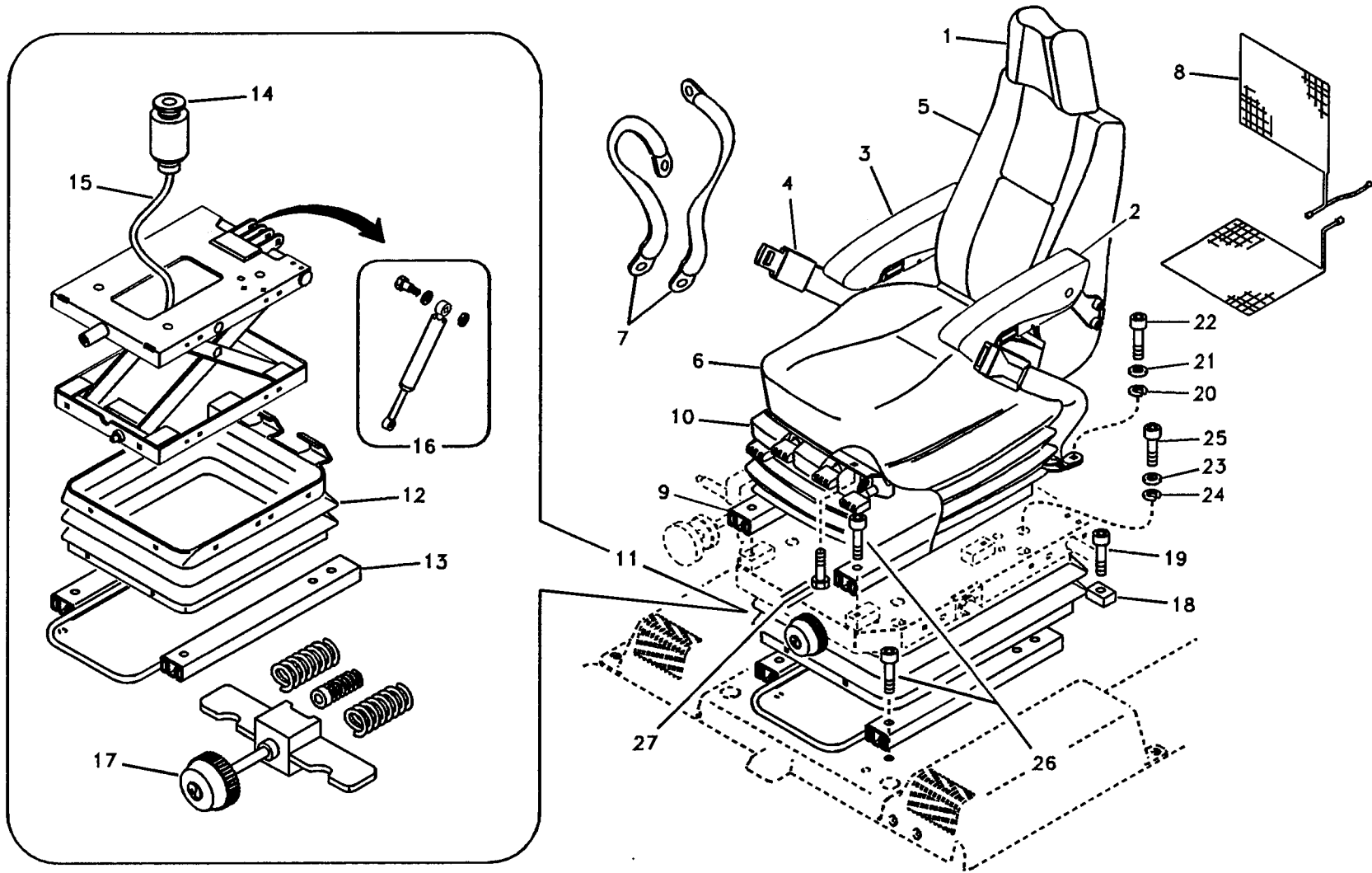


Fig.	Part No.	Quantity			P S	K I T	Description	Dénomination	Bezeichnung	품명	Denominación	Notes
		1	2	3								
27	VOE 946544	2	2	2			Screw .....	Vis .....	Schraube .....	스크류 .....	Tornillo.....	

1	8277143	<b>Asiento del conductor con piezas de montaje</b> 운전석 및 장착 부품 <b>Fahrersitz mit Anbauteilen</b> <b>Siège conducteur avec pièces de montage</b> <b>Operator seat with fitting parts</b>	Catalogue id	Group
2	8277144		<b>56141</b>	<b>852</b>
3	8277145		Illustr. No	Section
4			<b>TA177</b>	<b>100</b>
5			Issue	Page
			<b>VOE 7414356141</b>	<b>309</b>

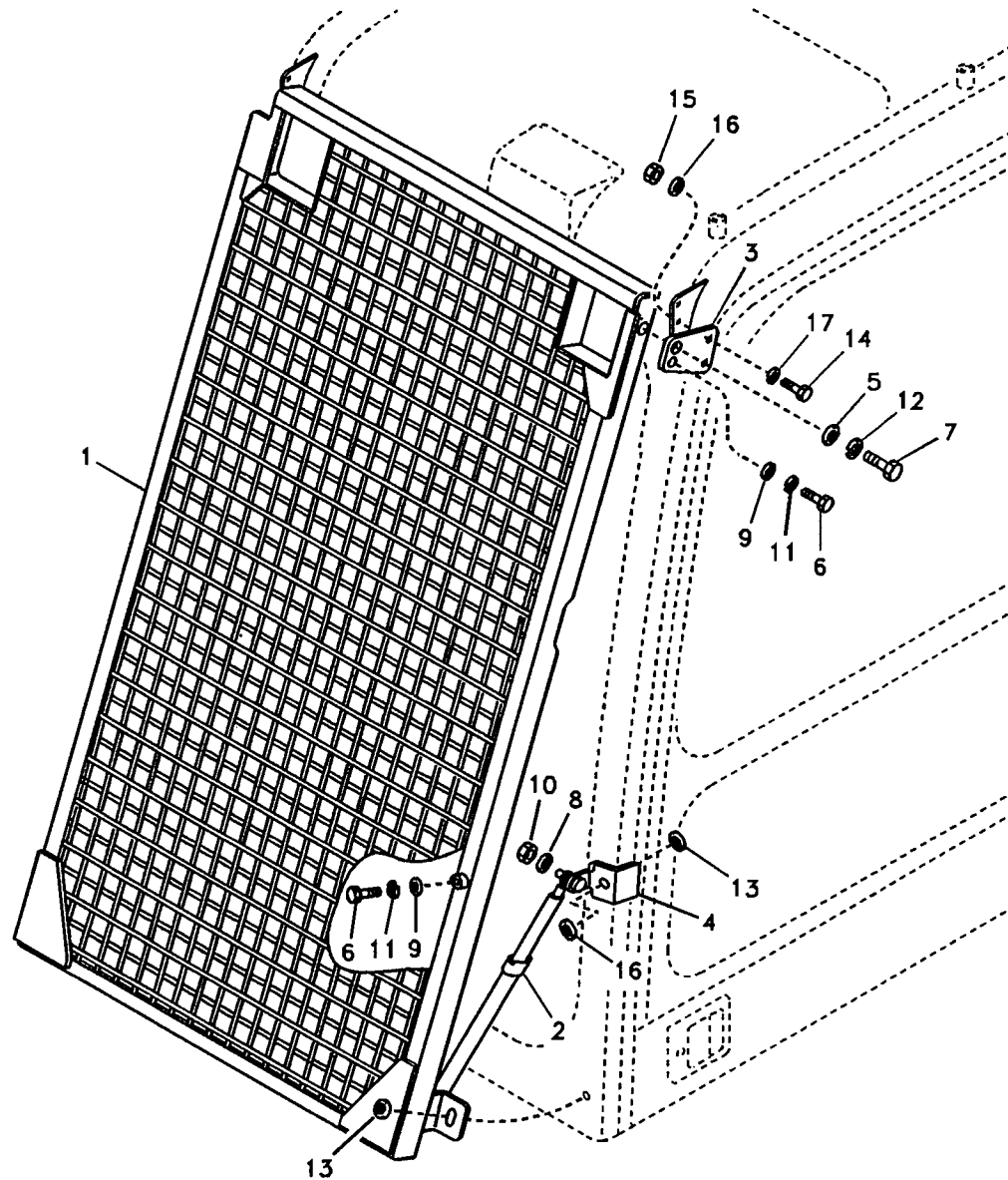


Fig.	Part No.	Quantity			P S	K I T	Description	Dénomination	Bezeichnung	품명	Denominación	Notes
		1	2	3								
1	VOE 14514322	1				Net .....	Filet .....	Netz.....	네트 .....	Red.....		
2	SA 1162-06200	1				•Gas Spring.....	•Ressort Gaz.....	•Gasfeder .....	• 가스 스프링 .....	•Resorte A Gas.....		
3	VOE 14514369	2				•Bracket .....	•Console.....	•Konsole .....	• 브라켓 .....	•Ménsula.....		
4	VOE 14514370	1				•Bracket .....	•Console.....	•Konsole .....	• 브라켓 .....	•Ménsula.....		
5	SA 2051-01950	2				•Washer .....	•Rondelle.....	•Scheibe .....	• 와셔 .....	•Arandela.....		
6	VOE 983250	3				•Screw.....	•Vis.....	•Schraube.....	• 스크류 .....	•Tornillo.....		
7	VOE 978932	2				•Screw.....	•Vis.....	•Schraube.....	• 스크류 .....	•Tornillo.....		
8	VOE 955894	2				•Washer .....	•Rondelle.....	•Scheibe .....	• 와셔 .....	•Arandela.....		
9	VOE 960148	3				•Washer .....	•Rondelle.....	•Scheibe .....	• 와셔 .....	•Arandela.....		
10	SA 9131-10800	2				•Lock Nut .....	•Contre-ecrou.....	•Sicher Mutter.....	• 록 너트 .....	•Contratuerca.....		
11	VOE 955922	3				•Spring Washer .....	•Rondelle ressort.....	•Federscheibe .....	• 스프링 와셔 .....	•Arandela resorte.....		
12	VOE 955923	2				•Washer .....	•Rondelle.....	•Scheibe .....	• 와셔 .....	•Arandela.....		
13	SA 2051-01950	3				Washer.....	Rondelle.....	Scheibe .....	와셔 .....	Arandela.....		
14	VOE 983252	4				Screw.....	Vis.....	Schraube .....	스크류 .....	Tornillo.....		
15	SA 9131-11000	4				Lock Nut.....	Contre-ecrou .....	Sicher Mutter .....	록 너트 .....	Contratuerca.....		
16	VOE 960148	9				Washer.....	Rondelle.....	Scheibe .....	와셔 .....	Arandela.....		
17	VOE 955922	4				Spring Washer .....	Rondelle ressort.....	Federscheibe.....	스프링 와셔 .....	Arandela resorte.....		

1	8277166	<b>Protección del parabrisas</b> 운전실 보호 가드 <b>Frontscheibenschutz</b> <b>Protection pare-brise</b> <b>Windshield protection</b>	Catalogue id	Group
2			<b>56141</b>	<b>860</b>
3			Illustr. No	Section
4			<b>TA178</b>	<b>100</b>
5			Issue	Page
			<b>VOE 7414356141</b>	<b>311</b>



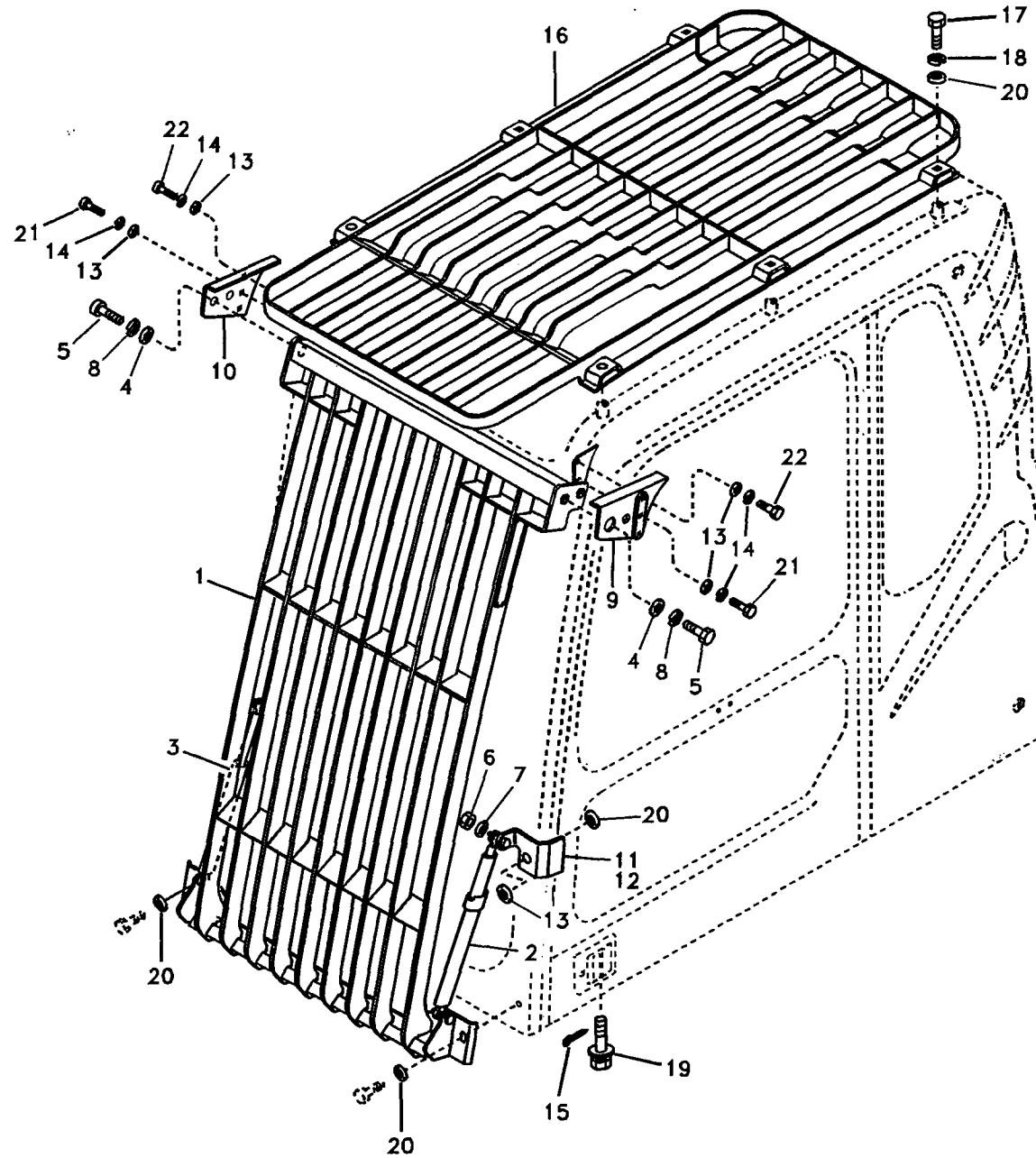


Fig.	Part No.	Quantity			P S	K I T	Description	Dénomination	Bezeichnung	품명	Denominación	Notes
		1	2	3								
	VOE 14514162	1				Guard.....	Protection.....	Schutz.....	가드.....	Proteccion.....		
1	VOE 14514163	1				•Guard.....	•Protection.....	•Schutz.....	•가드.....	•Proteccion.....		
2	SA 1162-06200	1				•Gas Spring.....	•Ressort Gaz.....	•Gasfeder.....	•가스 스프링.....	•Resorte A Gas.....		
3	SA 1162-06230	1				•Gas Spring.....	•Ressort Gaz.....	•Gasfeder.....	•가스 스프링.....	•Resorte A Gas.....		
4	SA 2051-01950	2				•Washer.....	•Rondelle.....	•Scheibe.....	•와셔.....	•Arandela.....		
5	VOE 978933	4				•Screw.....	•Vis.....	•Schraube.....	•스크류.....	•Tornillo.....		
6	SA 9131-10800	4				•Lock Nut.....	•Contre-ecrou.....	•Sicher Mutter.....	•록 너트.....	•Contratuerca.....		
7	VOE 955894	4				•Washer.....	•Rondelle.....	•Scheibe.....	•와셔.....	•Arandela.....		
8	VOE 955923	2				•Washer.....	•Rondelle.....	•Scheibe.....	•와셔.....	•Arandela.....		
9	VOE 14514164	1				•Bracket.....	•Console.....	•Konsole.....	•브라켓.....	•Ménsula.....		
10	VOE 14514165	1				•Bracket.....	•Console.....	•Konsole.....	•브라켓.....	•Ménsula.....		
11	VOE 14514371	1				•Bracket.....	•Console.....	•Konsole.....	•브라켓.....	•Ménsula.....		
12	VOE 14514372	1				•Bracket.....	•Console.....	•Konsole.....	•브라켓.....	•Ménsula.....		
13	VOE 960148	7				Washer.....	Rondelle.....	Scheibe.....	와셔.....	Arandela.....		
14	VOE 955922	6				Spring Washer.....	Rondelle ressort.....	Federscheibe.....	스프링 와셔.....	Arandela resorte.....		
15	SA 9323-01810	2				Split Pin.....	Goupille Fendue.....	Splint.....	분할 핀.....	Chaveta Hendida.....		
16	VOE 14514160	1				Fops.....	Protection Fops.....	Fops.....	폼스.....	Fops.....		
17	VOE 978933	6				Screw.....	Vis.....	Schraube.....	스크류.....	Tornillo.....		
18	VOE 955923	6				Washer.....	Rondelle.....	Scheibe.....	와셔.....	Arandela.....		
19	VOE 14513250	2				Stopper.....			스토퍼.....			
20	SA 2051-01950	10				Washer.....	Rondelle.....	Scheibe.....	와셔.....	Arandela.....		
21	VOE 983251	4				Screw.....	Vis.....	Schraube.....	스크류.....	Tornillo.....		
22	VOE 983252	2				Screw.....	Vis.....	Schraube.....	스크류.....	Tornillo.....		

1	8277920	<b>Equipo de protección contra caídas</b> 낙하물 보호장치 ; 포그 <b>Fallschutzausrüstung</b> <b>Equipement anti-chute</b> <b>Falling object guards</b>	Catalogue id	Group
2			<b>56141</b>	<b>860</b>
3			Illustr. No	Section
4			<b>TA179</b>	<b>200</b>
5			Issue	Page
			<b>VOE 7414356141</b>	<b>313</b>

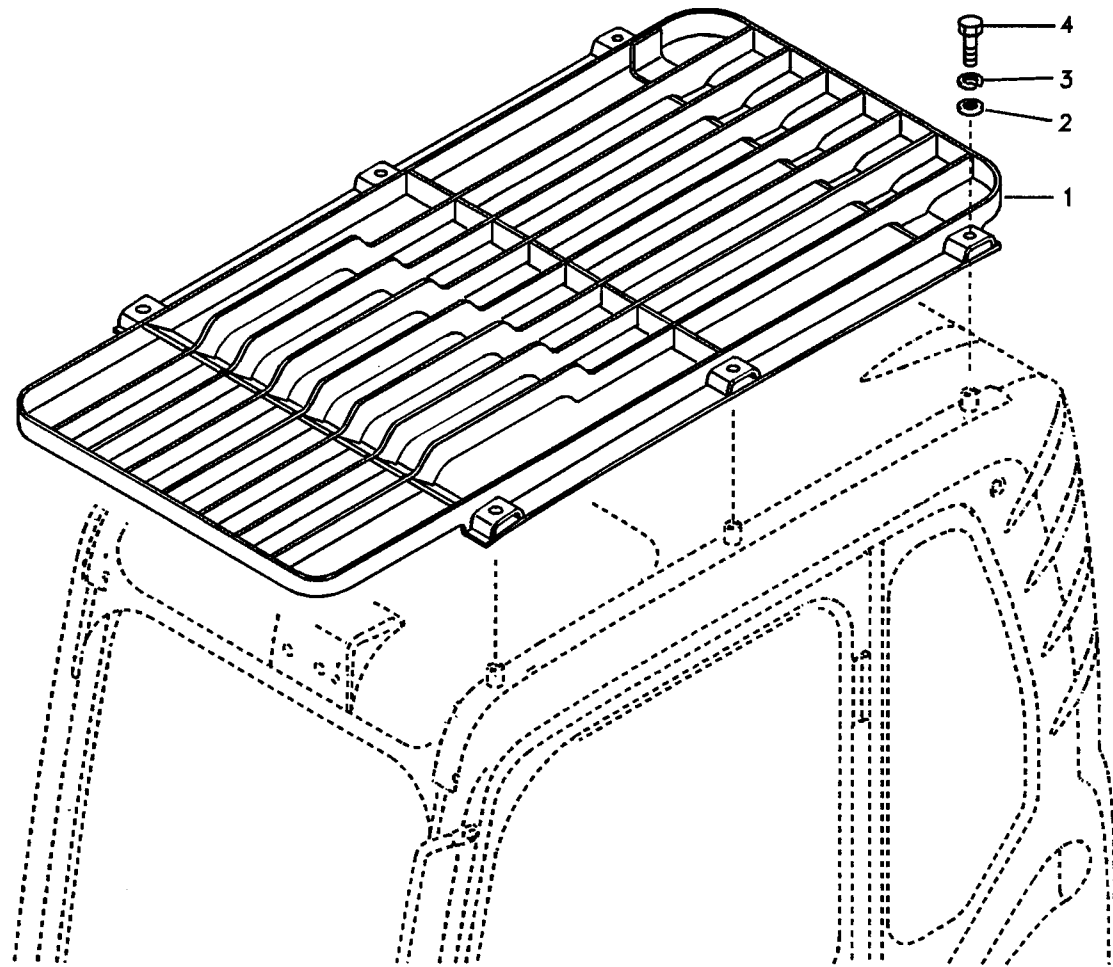


Fig.	Part No.	Quantity			P S	K I T	Description	Dénomination	Bezeichnung	품명	Denominación	Notes
		1	2	3								
1	VOE 14514160	1				Fops .....	Protection Fops .....	Fops .....	폼스 .....	Fops.....		
2	SA 2051-01950	6				Washer.....	Rondelle.....	Scheibe .....	와셔 .....	Arandela.....		
3	VOE 955923	6				Washer.....	Rondelle.....	Scheibe .....	와셔 .....	Arandela.....		
4	VOE 978933	6				Screw .....	Vis .....	Schraube .....	스크류 .....	Tornillo.....		

1	8277164	<b>Fops, equipo de protección</b> 낙하물 보호장치 ; 폼스 <b>Fops, Schutzausrüstung</b> <b>Fops, équipement de protection</b> <b>Fops, protecting equipment</b>	Catalogue id	Group
2			<b>56141</b>	<b>860</b>
3			Illustr. No	Section
4			<b>TA180</b>	<b>300</b>
5			Issue	Page
			<b>VOE 7414356141</b>	<b>315</b>

**VOLVO**

**EC210B**

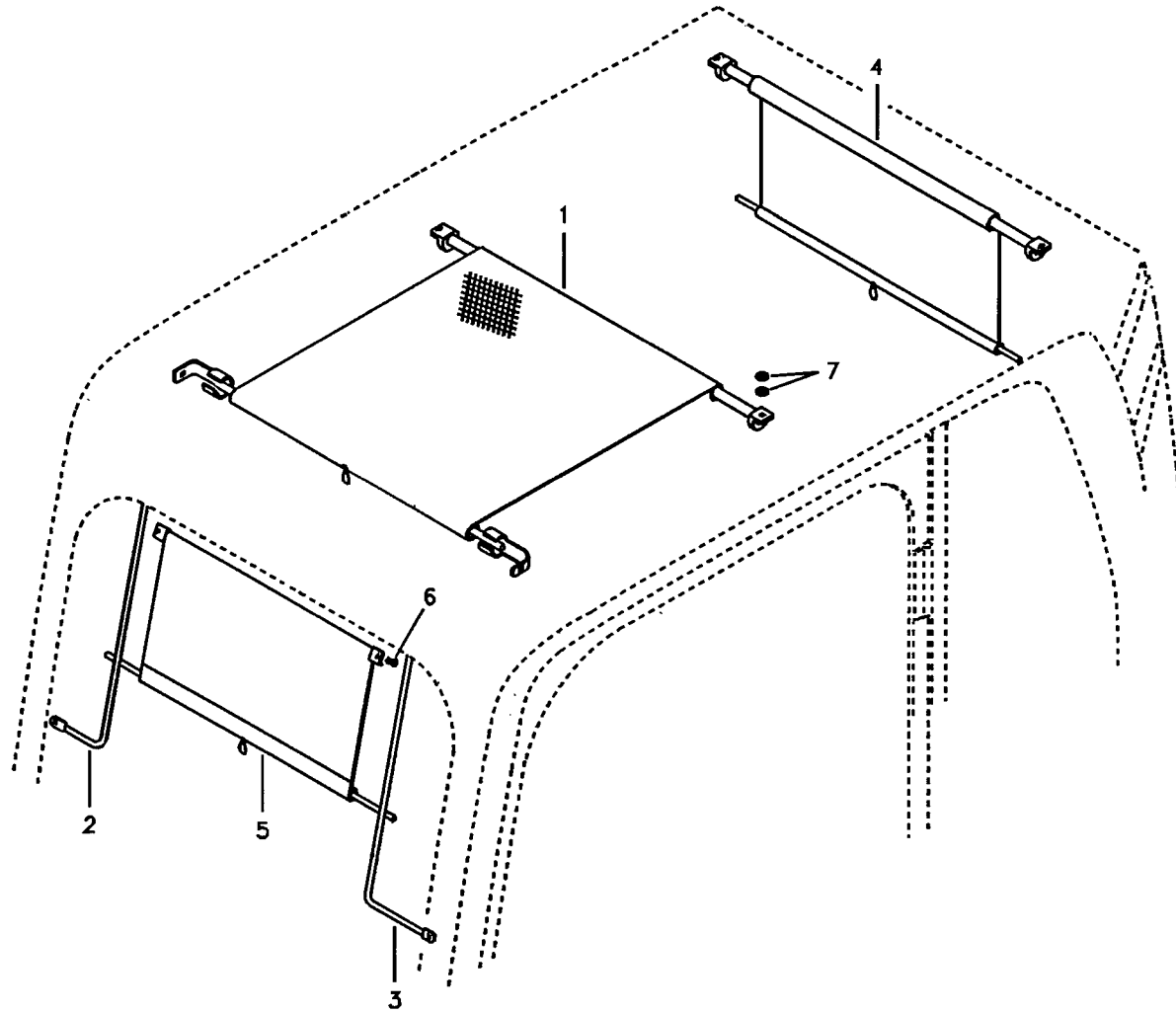


Fig.	Part No.	Quantity			P S	K I T	Description	Dénomination	Bezeichnung	품명	Denominación	Notes
		1	2	3								
1	VOE 14506852	1				Sun Visor .....	Pare soleil .....	Sonnenblende .....	선 바이저 .....	Pafasol.....		
2	VOE 14508606	1				Guide .....	Rail .....	Führung.....	가이드 .....	Guia.....		
3	VOE 14508607	1				Guide .....	Rail .....	Führung.....	가이드 .....	Guia.....		
4	VOE 14508617	1				Sun Visor .....	Pare soleil .....	Sonnenblende .....	선 바이저 .....	Pafasol.....		
5	VOE 14514124	1				Sun Visor .....	Pare soleil .....	Sonnenblende .....	선 바이저 .....	Pafasol.....		
6	SA 9021-10402	2				Screw .....	Vis .....	Schraube .....	스크류 .....	Tornillo.....		
7	VOE 955894	4				Washer.....	Rondelle.....	Scheibe .....	와셔 .....	Arandela.....		

1	8277160	<b>Parasol interior</b> 선 바이저 <b>Sonnenblende, innen</b> <b>Pare-soleil intérieur</b> <b>Sun visor interior</b>	Catalogue id	Group
2			<b>56141</b>	<b>860</b>
3			Illustr. No	Section
4			<b>TA181</b>	<b>400</b>
5			Issue	Page
			<b>VOE 7414356141</b>	<b>317</b>

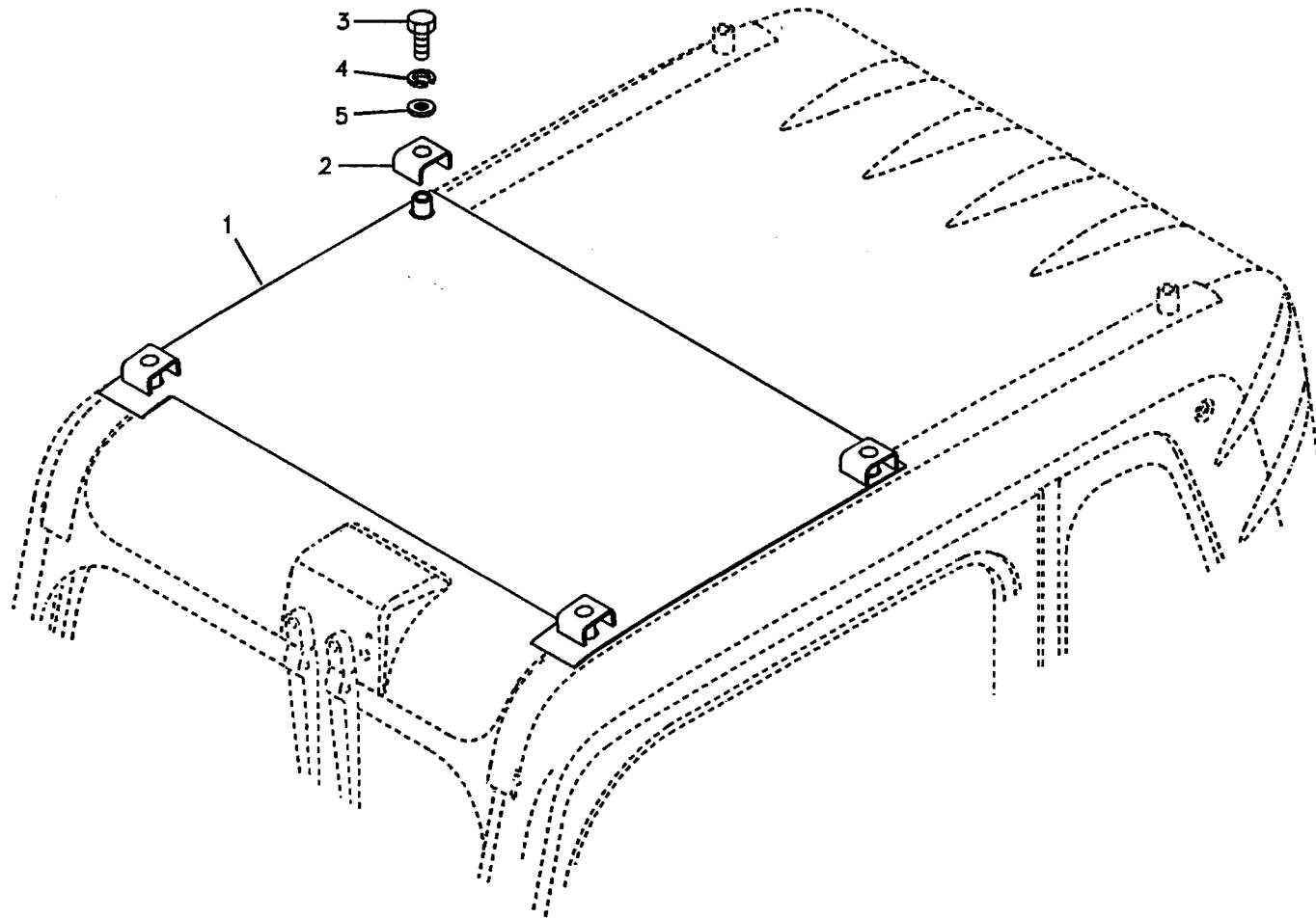


Fig.	Part No.	Quantity			P S	K I T	Description	Dénomination	Bezeichnung	품명	Denominación	Notes
		1	2	3								
1	VOE 14514428	1				Cover .....	Capot .....	Haube .....	커버 .....	Capa.....		
2	VOE 14514429	4				Channel.....	Barre U.....	U-träger.....	채널 .....	Barra-u.....		
3	VOE 978933	4				Screw .....	Vis .....	Schraube .....	스크류 .....	Tornillo.....		
4	VOE 955923	4				Washer.....	Rondelle.....	Scheibe .....	와셔 .....	Arandela.....		
5	SA 1012-00160	4				Washer.....	Rondelle.....	Scheibe .....	와셔 .....	Arandela.....		

1	8278103	<b>Visera</b> 선 라이트 보호판 <b>Sonnenblende</b> Pare-soleil Sun Light Protection	Catalogue id	Group
2			<b>56141</b>	<b>860</b>
3			Illustr. No	Section
4			<b>TA182</b>	<b>500</b>
5			Issue	Page
			<b>VOE 7414356141</b>	<b>319</b>



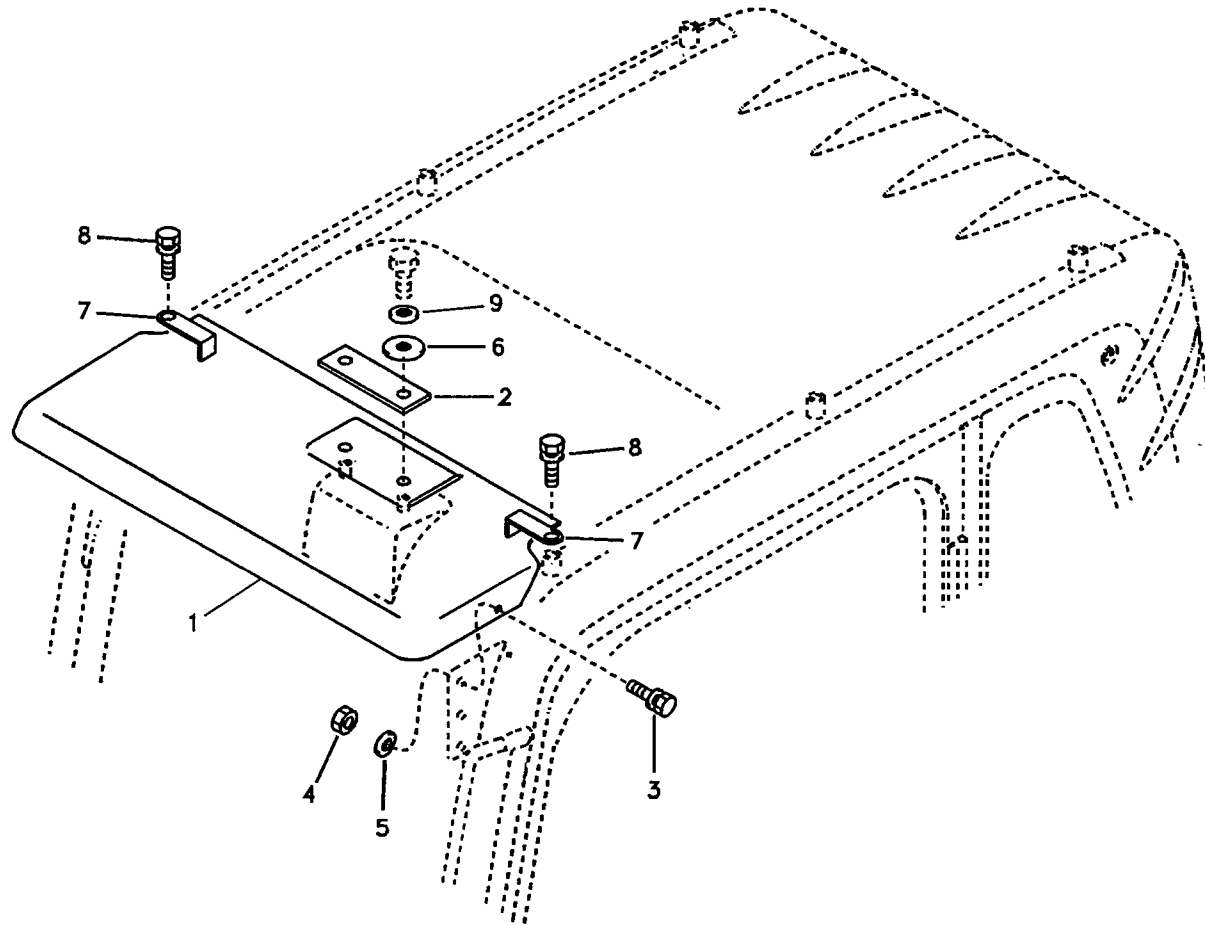


Fig.	Part No.	Quantity			P S	K I T	Description	Dénomination	Bezeichnung	품명	Denominación	Notes
		1	2	3								
1	VOE 14509203	1				Cover .....	Capot .....	Haube .....	커버 .....	Capo.....		
2	VOE 14509483	1				Seat.....	Siege .....	Sitz .....	시트 .....	Asiento.....		
3	VOE 946329	2				Flange Screw .....	Vis A Bride .....	Flanschschraube .....	플랜지 스크류 .....	Torn Embridado.....		
4	SA 9131-11000	2				Lock Nut.....	Contre-ecrou .....	Sicher Mutter .....	록 너트 .....	Contratuerca.....		
5	VOE 960148	2				Washer.....	Rondelle .....	Scheibe .....	와셔 .....	Arandela.....		
6	SA 9285-17000	2				Washer.....	Rondelle .....	Scheibe .....	와셔 .....	Arandela.....		
7	VOE 14514189	2				Bracket.....	Console .....	Konsole .....	브라켓 .....	Ménsula.....		
8	VOE 965191	2				Screw .....	Vis .....	Schraube .....	스크류 .....	Tornillo.....		
9	SA 9285-15000	2				Washer.....	Rondelle .....	Scheibe .....	와셔 .....	Arandela.....		

1	8277159	<b>Visera para lluvia, equipo exterior</b> 레인 바이저 <b>Regenschutz, aussen</b> <b>Para-pluie, équipement extérieur</b> <b>Rain visor, exterior equipment</b>	Catalogue id	Group
2			<b>56141</b>	<b>860</b>
3			Illustr. No	Section
4			<b>TA183</b>	<b>600</b>
5			Issue	Page
			<b>VOE 7414356141</b>	<b>321</b>

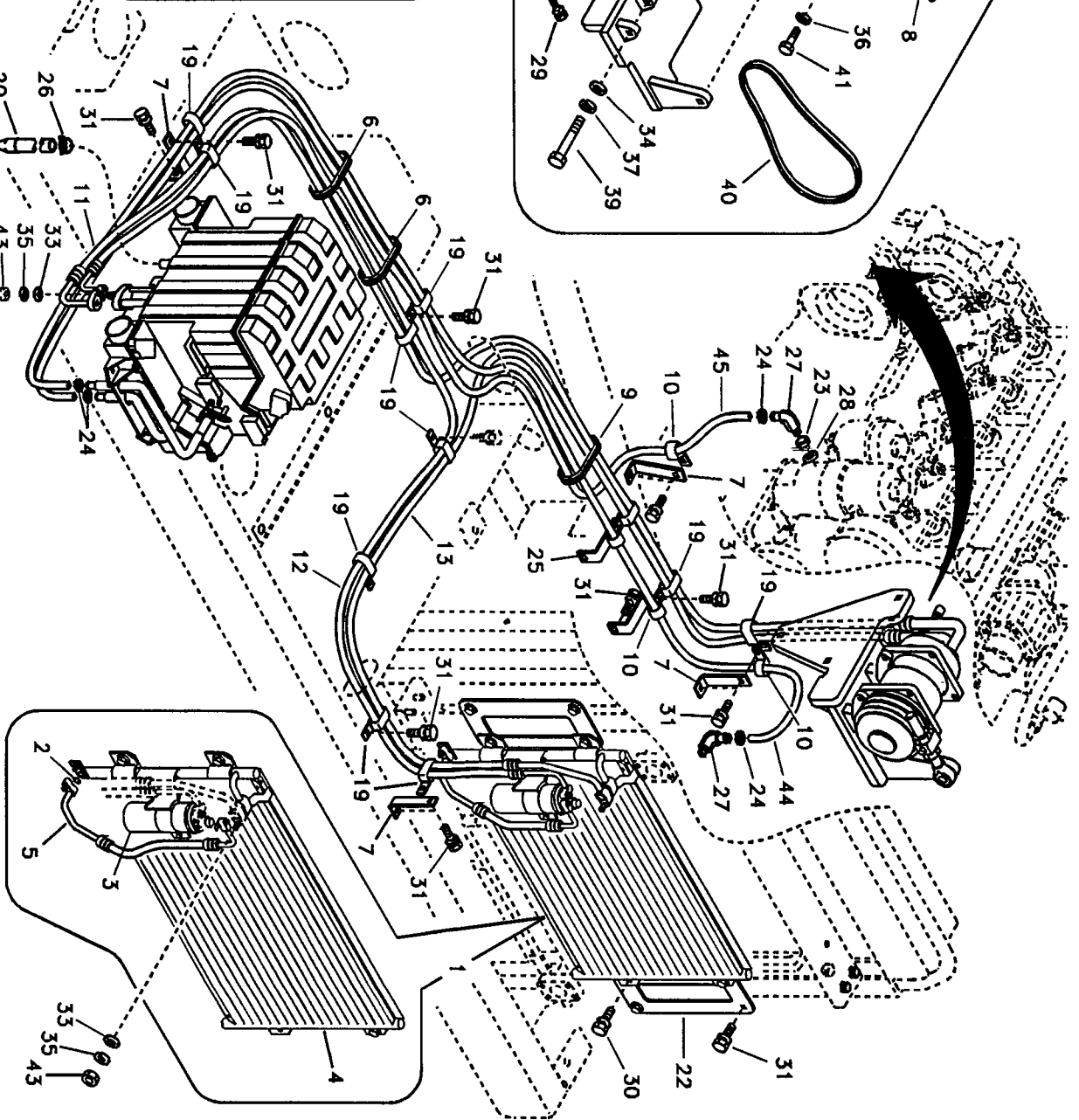
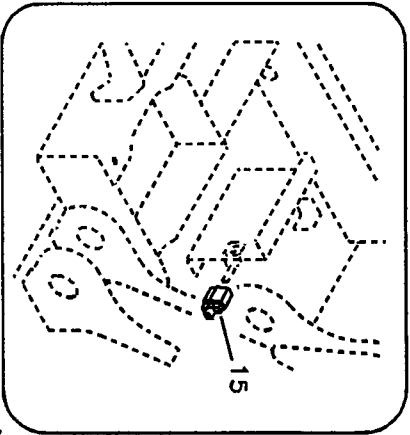
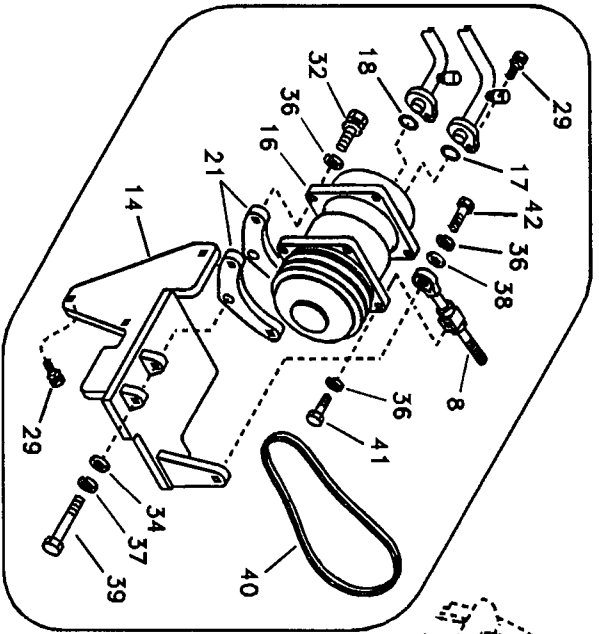


Fig.	Part No.	Quantity			P S	K I T	Description	Dénomination	Bezeichnung	품명	Denominación	Notes
		1	2	3								
1	VOE 14516414	1				Condenser .....	Condenseur .....	Kondensator .....	콘덴서 .....	Condensador.....		
2	SA 1025-01520	2				•O-ring.....	•Joint Torique .....	•O-ring.....	•오링 .....	•Junta torica.....		
3	VOE 14509377	1				•Receiver Drier.....	•Deshydrateur .....	•Entfeuchter.....	•리시버 드라이어.....	•Secador.....		
4	VOE 14516415	1				•Condenser .....	•Condenseur .....	•Kondensator.....	•콘덴서 .....	•Condensador.....		
5	VOE 14509416	1				•Hose .....	•Durit .....	•Schlauch .....	•호스 .....	•Tubo flexible.....		
6	SA 1048-00110	2				Grommet.....	Passe fil .....	Durchführung.....	그로메트 .....	Aislador pasapanel....		
7	SA 1125-00650	4				Bracket.....	Ferrure-support .....	Tragstutse .....	브라켓 .....	Hierro Apoyo.....		
8	SA 1125-03040	1				Adj Device.....	Disposi.reglage .....	Nachst Vorrng .....	조정기 .....	Disposit Ajuste.....		
9	SA 1148-01280	1				Grommet.....	Passe fil .....	Durchführung.....	그로메트 .....	Aislador pasapanel....		
10	VOE 14500295	4				Clip.....	Clip.....	Klemme .....	클립 .....	Clip.....		
11	VOE 14517555	1				Hose.....	Durit .....	Schlauch .....	호스 .....	Tubo flexible.....		
12	VOE 14512669	1				Hose.....	Durit .....	Schlauch .....	호스 .....	Tubo flexible.....		
13	VOE 14517498	1				Hose.....	Durit .....	Schlauch .....	호스 .....	Tubo flexible.....		
14	VOE 14517011	1				Bracket.....	Console .....	Konsole .....	브라켓 .....	Ménsula.....		
15	VOE 14505515	1				Sensor.....	Capteur .....	Geber .....	센서 .....	Captador.....		
16	VOE 14506862	1				Compressor .....	Compresseur .....	Kompressor.....	압축기 .....	Compresor.....		
17	VOE 14509304	1				•O-ring.....	•Joint Torique .....	•O-ring.....	•오링 .....	•Junta torica.....		
18	VOE 14509305	1				•O-ring.....	•Joint Torique .....	•O-ring.....	•오링 .....	•Junta torica.....		
19	VOE 14507450	11				Clip.....	Clip.....	Klemme .....	클립 .....	Clip.....		
20	VOE 14511074	1				Hose.....	Durit .....	Schlauch .....	호스 .....	Tubo flexible.....		
21	VOE 14509216	2				Bracket.....	Console .....	Konsole .....	브라켓 .....	Ménsula.....		
22	VOE 14516413	2				Bracket.....	Console .....	Konsole .....	브라켓 .....	Ménsula.....		
23	VOE 14517404	1				Connector .....	Raccord.....	Anschluss .....	커넥터 .....	Union.....		
24	VOE 14511415	4				Clamp.....	Pince Serrage .....	Klemme .....	클램프 .....	Abrazadera.....		
25	SA 2022-01840	2				Bracket.....	Ferrure-support .....	Tragstutse .....	브라켓 .....	Hierro Apoyo.....		
26	SA 9381-15500	1				Clip.....	Clip.....	Klemme .....	클립 .....	Clip.....		
27	SA 9411-95650	2				Elbow .....	Coude .....	Winkelstueck .....	엘보 .....	Coda.....		
28	SA 9426-20060	1				Gasket.....	Joint .....	Dichtung .....	가스켓 .....	Junta.....		
29	VOE 946173	5				Screw .....	Vis .....	Schraube .....	스크류 .....	Tornillo.....		
30	VOE 946441	4				Flange Screw .....	Vis A Bride .....	Flanschschraube .....	플랜지 스크류 .....	Torn Embridado.....		

1	8277801	<b>Tubería de aire acondicionado, refrigeración y calefacción</b> 에어컨 유니트 배관 , 쿨러 및 히터 겸용 <b>Leitungsrohr für Klimaanlage, Kühler und Heizung</b> <b>Conduite de conditionnement d'air, refroidissement et chauffage</b> <b>Air conditioning line, cooling and heater</b>	Catalogue id	Group
2			<b>56141</b>	<b>870</b>
3			Illustr. No	Section
4			<b>TA184</b>	<b>100</b>
5			Issue	Page
			<b>VOE 7414356141</b>	<b>323</b>

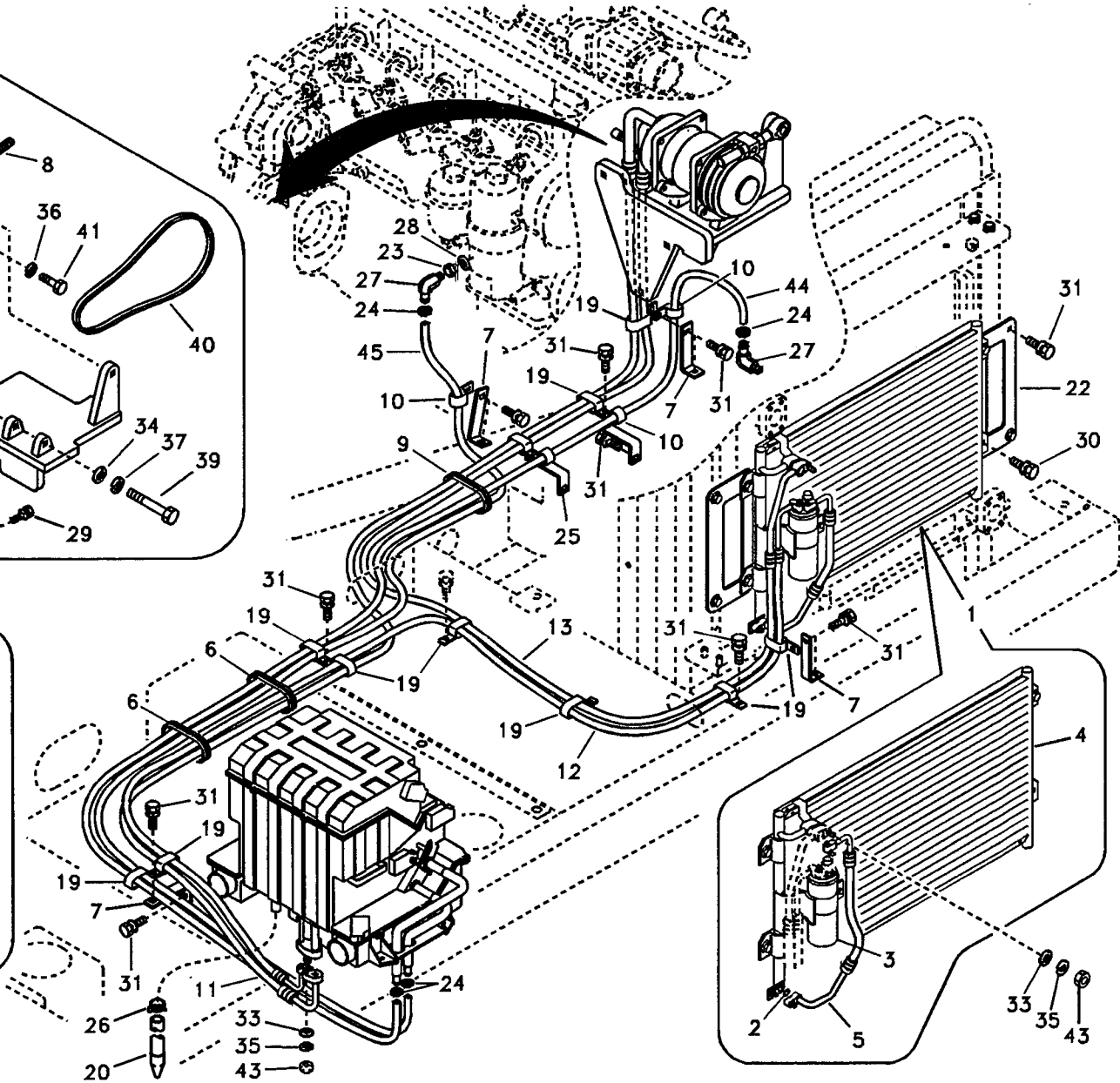
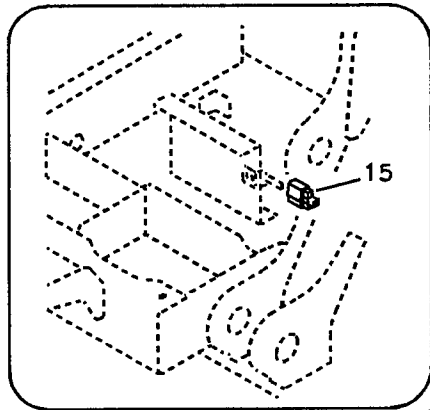
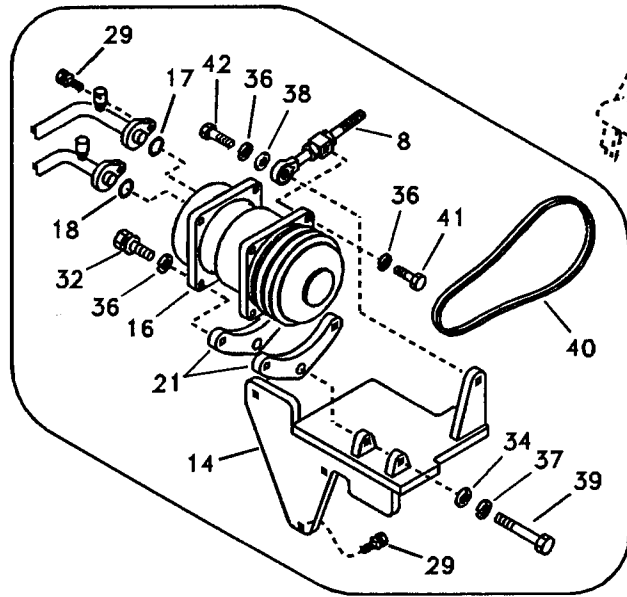


Fig.	Part No.	Quantity			P S	K T	Description	Dénomination	Bezeichnung	품명	Denominación	Notes
		1	2	3								
31	VOE 946471	18				Flange Screw .....	Vis A Bride .....	Flanschschraube .....	플랜지 스크류 .....	Torn Embridado.....		
32	VOE 947167	4				Screw .....	Vis .....	Schraube .....	스크류 .....	Tornillo.....		
33	VOE 955892	4				Washer.....	Rondelle.....	Scheibe .....	와셔 .....	Arandela.....		
34	VOE 955897	2				Washer.....	Rondelle.....	Scheibe .....	와셔 .....	Arandela.....		
35	VOE 955919	4				Spring Washer .....	Rondelle ressort.....	Federscheibe.....	스프링 와셔 .....	Arandela resorte.....		
36	VOE 955922	6				Spring Washer .....	Rondelle ressort.....	Federscheibe.....	스프링 와셔 .....	Arandela resorte.....		
37	VOE 955923	2				Washer.....	Rondelle.....	Scheibe .....	와셔 .....	Arandela.....		
38	VOE 960148	1				Washer.....	Rondelle.....	Scheibe .....	와셔 .....	Arandela.....		
39	VOE 978933	2				Screw .....	Vis .....	Schraube .....	스크류 .....	Tornillo.....		
40	SA 9817-12410	1				V-belt.....	Courroie Trape.....	Keilriemen.....	V 벨트 .....	Correa Trapez.....		
41	VOE 983251	1				Screw .....	Vis .....	Schraube .....	스크류 .....	Tornillo.....		
42	VOE 983252	1				Screw .....	Vis .....	Schraube .....	스크류 .....	Tornillo.....		
43	VOE 983302	4				Nut .....	Ecrou.....	Mutter .....	너트 .....	Tuerca.....		
44	SA 9961-23331	1				Hose.....	Durit .....	Schlauch .....	호스 .....	Tube flexible.....		
45	SA 9961-23326	1				Hose.....	Durit .....	Schlauch .....	호스 .....	Tube flexible.....		

1	8277801	<b>Tubería de aire acondicionado, refrigeración y calefacción</b> 에어콘 유닛 배관 , 쿨러 및 히터 겸용 <b>Leitungsrohr für Klimaanlage, Kühler und Heizung</b> <b>Conduite de conditionnement d'air, refroidissement et chauffage</b> <b>Air conditioning line, cooling and heater</b>	Catalogue id	Group
2			<b>56141</b>	<b>870</b>
3			Illustr. No	Section
4			<b>TA184</b>	<b>100</b>
5			Issue	Page
			<b>VOE 7414356141</b>	<b>325</b>

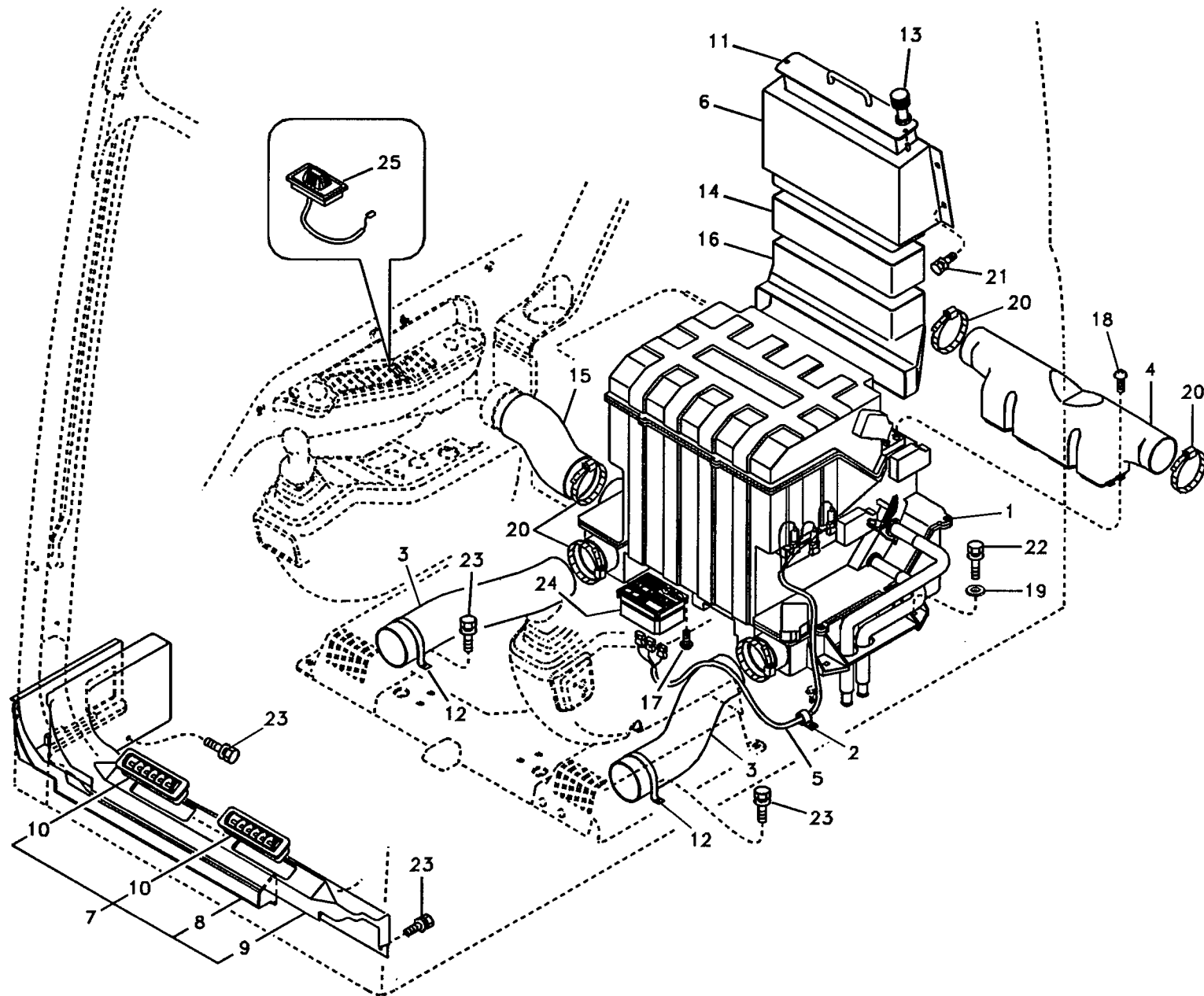


Fig.	Part No.	Quantity			P S	K I T	Description	Dénomination	Bezeichnung	품명	Denominación	Notes
		1	2	3								
1	VOE 14502527	1					Air Cond .....	Climatisation .....	Klimaanlage .....	에어콘 .....	Acondicion Aire.....	See group 870, Page 329
2	VOE 14500295	1					Clip.....	Clip.....	Klemme.....	클립 .....	Clip.....	
3	VOE 14502537	2					Hose.....	Durit .....	Schlauch .....	호스 .....	Tubo flexible.....	
4	VOE 14502539	1					Duct.....	Conduit.....	Leitung .....	덕트 .....	Conducto.....	
5	VOE 14503260	1					Wire Harness .....	Faisceau electrique....	Kabelbaum.....	배선 .....	Manejo Cables.....	
6	VOE 14503262	1					Case.....	Etui.....	Futteral.....	케이스 .....	Funda.....	
7	VOE 14517758	1					Cover .....	Capot .....	Haube .....	커버 .....	Capa.....	
8	VOE 14503049	1					•Duct .....	•Conduit .....	•Leitung .....	•덕트 .....	•Conducto.....	
9	VOE 14517757	1					•Duct .....	•Conduit .....	•Leitung .....	•덕트 .....	•Conducto.....	
10	VOE 14517615	2					•Grille .....	•Grille .....	•Kühlergrill.....	•그릴 .....	•Calandra.....	
11	VOE 14503269	1					Filter .....	Filtre .....	Filter .....	필터 .....	Filtro.....	
12	VOE 14504237	2					Bracket.....	Console.....	Konsole .....	브라켓 .....	Ménsula.....	
13	VOE 14504267	2					Knob.....	Bouton .....	Knauf .....	손잡이 .....	Boton.....	
14	VOE 14505500	1					Grommet.....	Passe fil .....	Durchführung.....	그로메트 .....	Aislador pasapanel....	
15	VOE 14505516	1					Hose.....	Durit .....	Schlauch .....	호스 .....	Tubo flexible.....	
16	VOE 14503265	1					Duct.....	Conduit.....	Leitung .....	덕트 .....	Conducto.....	
17	SA 9025-04003	4					Screw .....	Vis .....	Schraube .....	스크류 .....	Tornillo.....	
18	SA 9025-05002	4					Screw .....	Vis .....	Schraube .....	스크류 .....	Tornillo.....	
19	SA 9285-16000	4					Washer.....	Rondelle.....	Scheibe .....	와셔 .....	Arandela.....	
20	SA 9312-10350	5					Clamp.....	Pince Serrage .....	Klemme .....	클램프 .....	Abrazadera.....	
21	VOE 946471	4					Flange Screw .....	Vis A Bride .....	Flanschschraube .....	플랜지 스크류 .....	Torn Embridado.....	
22	VOE 965185	4					Screw .....	Vis .....	Schraube .....	스크류 .....	Tornillo.....	
23	VOE 965175	8					Screw .....	Vis .....	Schraube .....	스크류 .....	Tornillo.....	
24	VOE 14505513	1					Switch .....	Contacteur .....	Schalter.....	스위치 .....	Contactador.....	
25	VOE 14514330	1					Sensor.....	Captteur .....	Geber .....	센서 .....	Captador.....	

1	8277801	<b>Conducto de aire en cabina y suelo de cabina</b> 에어 분기장치 <b>Luftkanal in Kabine und Kabinenboden</b> <b>Conduit d'air dans la cabine et dans le plancher de cabine</b> <b>Air duct in cabin and cabin floor</b>	Catalogue id	Group
2			<b>56141</b>	<b>870</b>
3			Illustr. No	Section
4			<b>TA185</b>	<b>200</b>
5			Issue	Page
			<b>VOE 7414356141</b>	<b>327</b>



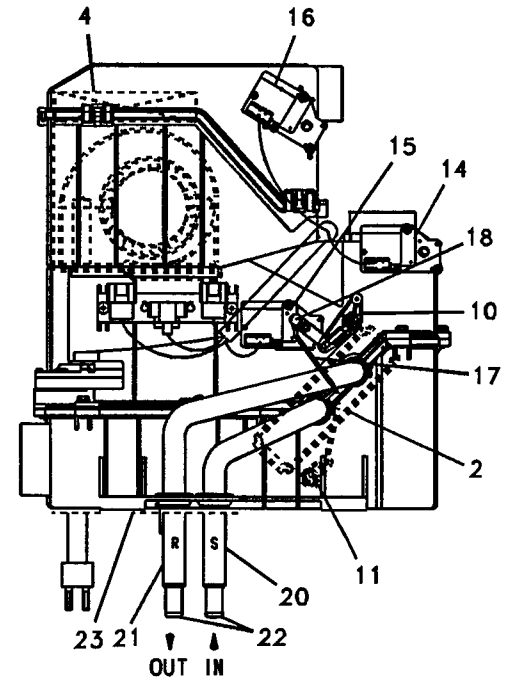
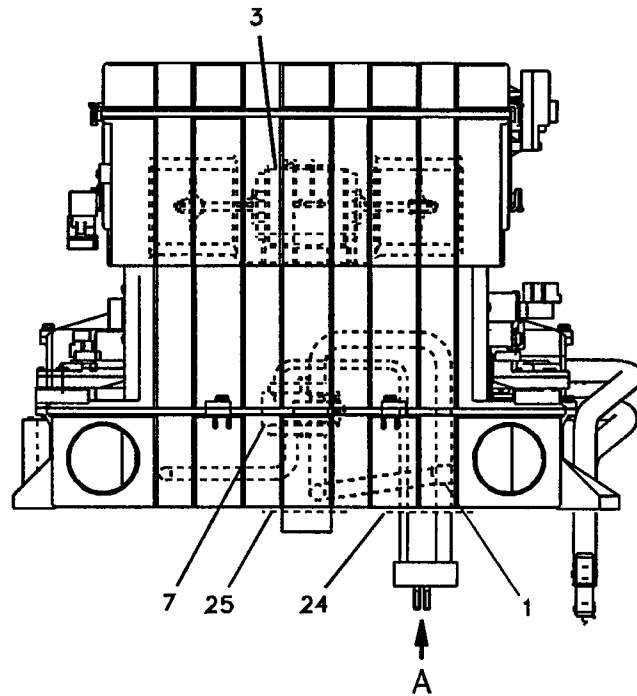
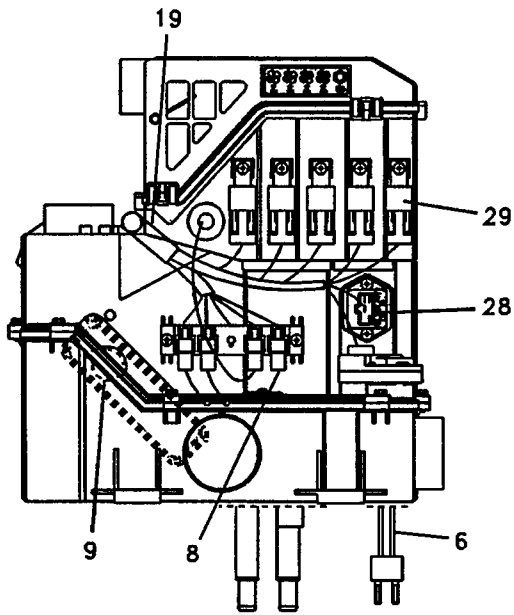
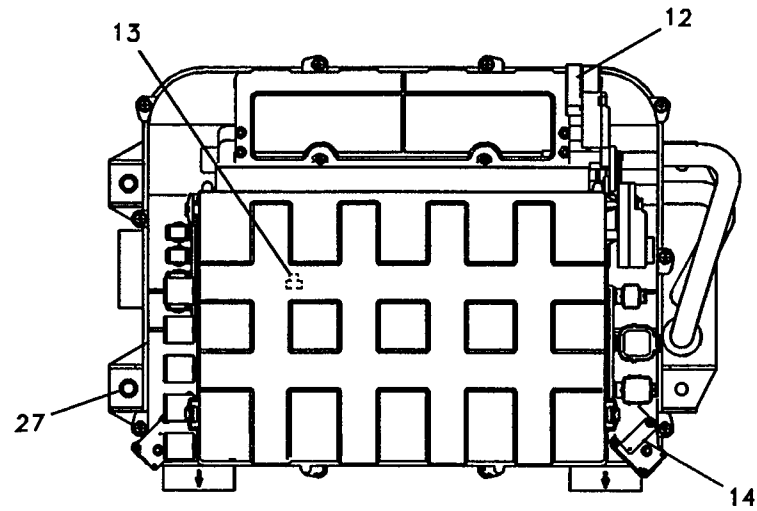
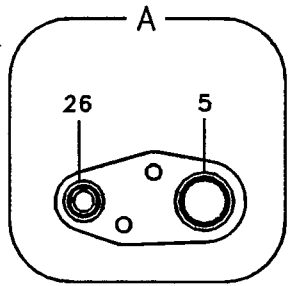


Fig.	Part No.	Quantity			P S	K I T	Description	Dénomination	Bezeichnung	품명	Denominación	Notes
		1	2	3								
	VOE 14502527	1				Air Cond .....	Climatisation .....	Klimaanlage .....	에어콘 .....	Acondicion Aire.....		
1	VOE 14509329	1				•Cooling System .....	•Sys Refroidisse.....	•K-hlanlage.....	•냉각장치 .....	•Sist Refrigerac.....		
2	VOE 14509332	1				•Radiator .....	•Radiateur .....	•Radiator .....	•라디에이터 .....	•Radiador.....		
3	VOE 14514331	1				•Motor .....	•Moteur.....	•Motor.....	•모터 .....	•Motor.....		
4	VOE 14506997	1				•Filter.....	•Filtre.....	•Filter.....	•필터 .....	•Filtro.....		
5	SA 1025-01530	3				•O-ring.....	•Joint Torique .....	•O-ring.....	•오링 .....	•Junta torica.....		
6	VOE 14509330	1				•Pipe .....	•Canalisation .....	•Rohrleitung.....	•파이프 .....	•Canalizacion.....		
7	VOE 14509331	1				•Valve.....	•Soupape .....	•Ventil.....	•밸브 .....	•Valvula.....		
8	SA 1122-03610	1				•Diode .....	•Diode .....	•Diode.....	•다이오드.....	•Diodo.....		
9	VOE 14509335	1				•Sensor .....	•Capteur.....	•Geber.....	•센서 .....	•Captador.....		
10	VOE 14509338	1				•Lever.....	•Levier.....	•Hebel.....	•레버 .....	•Palanca.....		
11	VOE 14509339	1				•Lever.....	•Levier.....	•Hebel.....	•레버 .....	•Palanca.....		
12	VOE 14509341	2				•Lever.....	•Levier.....	•Hebel.....	•레버 .....	•Palanca.....		
13	VOE 14509344	1				•Sensor .....	•Capteur.....	•Geber.....	•센서 .....	•Captador.....		
14	VOE 14509346	3				•Actuator .....	•Dispositif Mano .....	•Betätigun Organ.....	•액츄에이터 .....	•Organos Mando.....		
15	VOE 14509347	1				•Actuator .....	•Dispositif Mano .....	•Betätigun Organ.....	•액츄에이터 .....	•Organos Mando.....		
16	VOE 14509348	1				•Actuator .....	•Dispositif Mano .....	•Betätigun Organ.....	•액츄에이터 .....	•Organos Mando.....		
17	VOE 14509356	1				•Rod .....	•Monture.....	•Fuhler.....	•로드 .....	•Varilla.....		
18	VOE 14509357	1				•Joint .....	•Cardan .....	•Gelenk.....	•조인트 .....	•Junta.....		
19	VOE 14509360	1				•Wire Harness.....	•Faisceau electrique...	•Kabelbaum.....	•배선 .....	•Manojo Cables.....		
20	VOE 14509362	1				•Hose .....	•Durit .....	•Schlauch .....	•호스 .....	•Tubo flexible.....		
21	VOE 14509363	1				•Hose .....	•Durit .....	•Schlauch .....	•호스 .....	•Tubo flexible.....		
22	VOE 14509364	2				•Connector .....	•Raccord .....	•Anschluss.....	•커넥터 .....	•Union.....		
23	VOE 14509365	1				•Packing.....	•Joint .....	•Dichtung.....	•패킹 .....	•Empaquetadura.....		
24	VOE 14509366	1				•Packing.....	•Joint .....	•Dichtung.....	•패킹 .....	•Empaquetadura.....		
25	VOE 14509367	1				•Packing.....	•Joint .....	•Dichtung.....	•패킹 .....	•Empaquetadura.....		
26	VOE 14509382	1				•O-ring.....	•Joint Torique .....	•O-ring.....	•오링 .....	•Junta torica.....		
27	VOE 14514720	4				•Rubber.....	•Caoutchouc.....	•Gummi .....	•고무 .....	•Caucha.....		
28	VOE 14514329	1				•Resistor .....	•Resistance .....	•Widerstand.....	•저항기 .....	•Resistencia.....		
29	SA 1123-01900	5				•Relay .....	•Relais.....	•Relais.....	•릴레이 .....	•Rele.....	Three point	

1	8277801	<b>Unidad de aire acondicionado, refrigeración y calefacción</b> 에어컨 유니트 , 쿨러 및 히터 겸용 <b>Klimaanlage, Kühler und Heizung</b> <b>Unité de conditionnement d'air, refroidissement et chauffage</b> <b>Air conditioning unit, cooling and heater</b>	Catalogue id	Group
2			<b>56141</b>	<b>870</b>
3			Illustr. No	Section
4			<b>TA186</b>	<b>300</b>
5			Issue	Page
		<b>VOE 7414356141</b>	<b>329</b>	

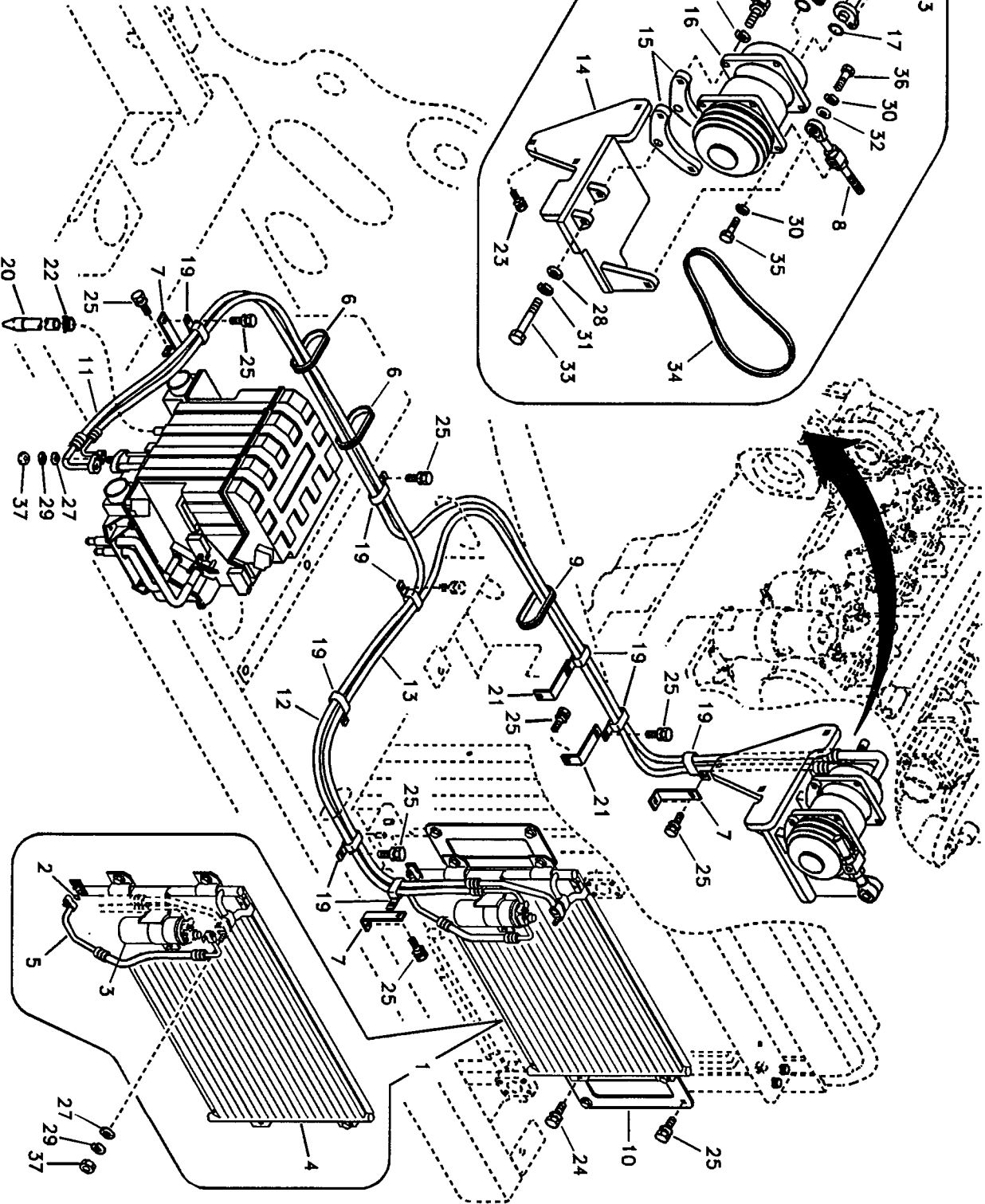
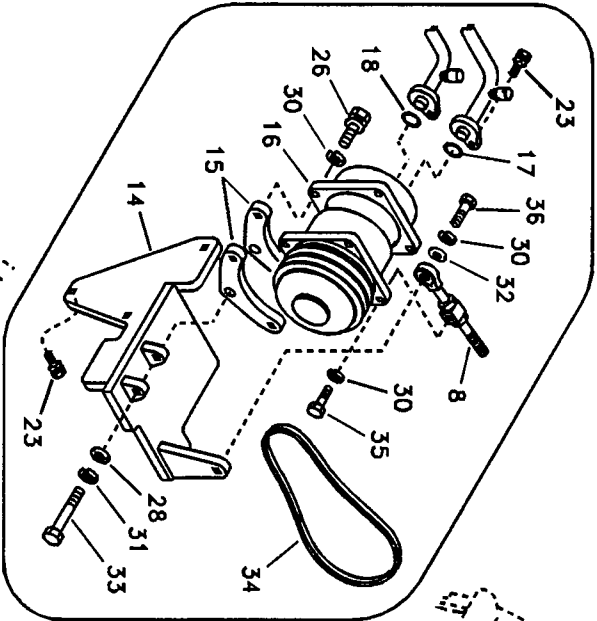


Fig.	Part No.	Quantity			P S	K I T	Description	Dénomination	Bezeichnung	품명	Denominación	Notes
		1	2	3								
1	VOE 14516414	1				Condenser .....	Condenseur .....	Kondensator .....	콘덴서 .....	Condensador.....		
2	SA 1025-01520	2				•O-ring.....	•Joint Torique .....	•O-ring .....	•오링 .....	•Junta torica.....		
3	VOE 14509377	1				•Receiver Drier.....	•Deshydrateur .....	•Entfeuchter.....	•리시버 드라이어 .....	•Secador.....		
4	VOE 14516415	1				•Condenser .....	•Condenseur .....	•Kondensator.....	•콘덴서 .....	•Condensador.....		
5	VOE 14509416	1				•Hose .....	•Durit .....	•Schlauch .....	•호스 .....	•Tubo flexible.....		
6	SA 1048-00110	2				Grommet.....	Passe fil .....	Durchführung .....	그로메트 .....	Aislador pasapanel....		
7	SA 1125-00650	3				Bracket.....	Ferrure-support .....	Tragstutse .....	브라켓 .....	Hierro Apoyo.....		
8	SA 1125-03040	1				Adj Device.....	Disposi.reglage .....	Nachst Vorrng .....	조정기 .....	Disposit Ajuste.....		
9	SA 1148-01280	1				Grommet.....	Passe fil .....	Durchführung .....	그로메트 .....	Aislador pasapanel....		
10	VOE 14516413	2				Bracket.....	Console .....	Konsole .....	브라켓 .....	Ménsula.....		
11	VOE 14517555	1				Hose.....	Durit .....	Schlauch .....	호스 .....	Tubo flexible.....		
12	VOE 14512669	1				Hose.....	Durit .....	Schlauch .....	호스 .....	Tubo flexible.....		
13	VOE 14517498	1				Hose.....	Durit .....	Schlauch .....	호스 .....	Tubo flexible.....		
14	VOE 14517011	1				Bracket.....	Console .....	Konsole .....	브라켓 .....	Ménsula.....		
15	VOE 14509216	2				Bracket.....	Console .....	Konsole .....	브라켓 .....	Ménsula.....		
16	VOE 14506862	1				Compressor .....	Compresseur .....	Kompressor.....	압축기 .....	Compresor.....		
17	VOE 14509304	1				•O-ring.....	•Joint Torique .....	•O-ring .....	•오링 .....	•Junta torica.....		
18	VOE 14509305	1				•O-ring.....	•Joint Torique .....	•O-ring .....	•오링 .....	•Junta torica.....		
19	VOE 14507450	9				Clip.....	Clip .....	Klemme .....	클립 .....	Clip.....		
20	VOE 14511074	1				Hose.....	Durit .....	Schlauch .....	호스 .....	Tubo flexible.....		
21	SA 2022-01840	2				Bracket.....	Ferrure-support .....	Tragstutse .....	브라켓 .....	Hierro Apoyo.....		
22	SA 9381-15500	1				Clip.....	Clip .....	Klemme .....	클립 .....	Clip.....		
23	VOE 946173	5				Screw .....	Vis .....	Schraube .....	스크류 .....	Tornillo.....		
24	VOE 946441	4				Flange Screw .....	Vis A Bride .....	Flanschschraube .....	플랜지 스크류 .....	Torn Embridado.....		
25	VOE 946471	16				Flange Screw .....	Vis A Bride .....	Flanschschraube .....	플랜지 스크류 .....	Torn Embridado.....		
26	VOE 947167	4				Screw .....	Vis .....	Schraube .....	스크류 .....	Tornillo.....		
27	VOE 955892	4				Washer.....	Rondelle .....	Scheibe .....	와셔 .....	Arandela.....		
28	VOE 955897	2				Washer.....	Rondelle .....	Scheibe .....	와셔 .....	Arandela.....		
29	VOE 955919	4				Spring Washer .....	Rondelle ressort.....	Federscheibe.....	스프링 와셔 .....	Arandela resorte.....		
30	VOE 955922	6				Spring Washer .....	Rondelle ressort.....	Federscheibe.....	스프링 와셔 .....	Arandela resorte.....		

1	8277800	<b>Tubería de unidad de aire acondicionado</b> 에어컨 유닛 배관 <b>Klimaanlage, Leitung</b> <b>Unité de conditionnement d'air</b> <b>Air conditioning unit line</b>	Catalogue id	Group
2			<b>56141</b>	<b>874</b>
3			Illustr. No	Section
4			<b>TA187</b>	<b>100</b>
5			Issue	Page
			<b>VOE 7414356141</b>	<b>331</b>

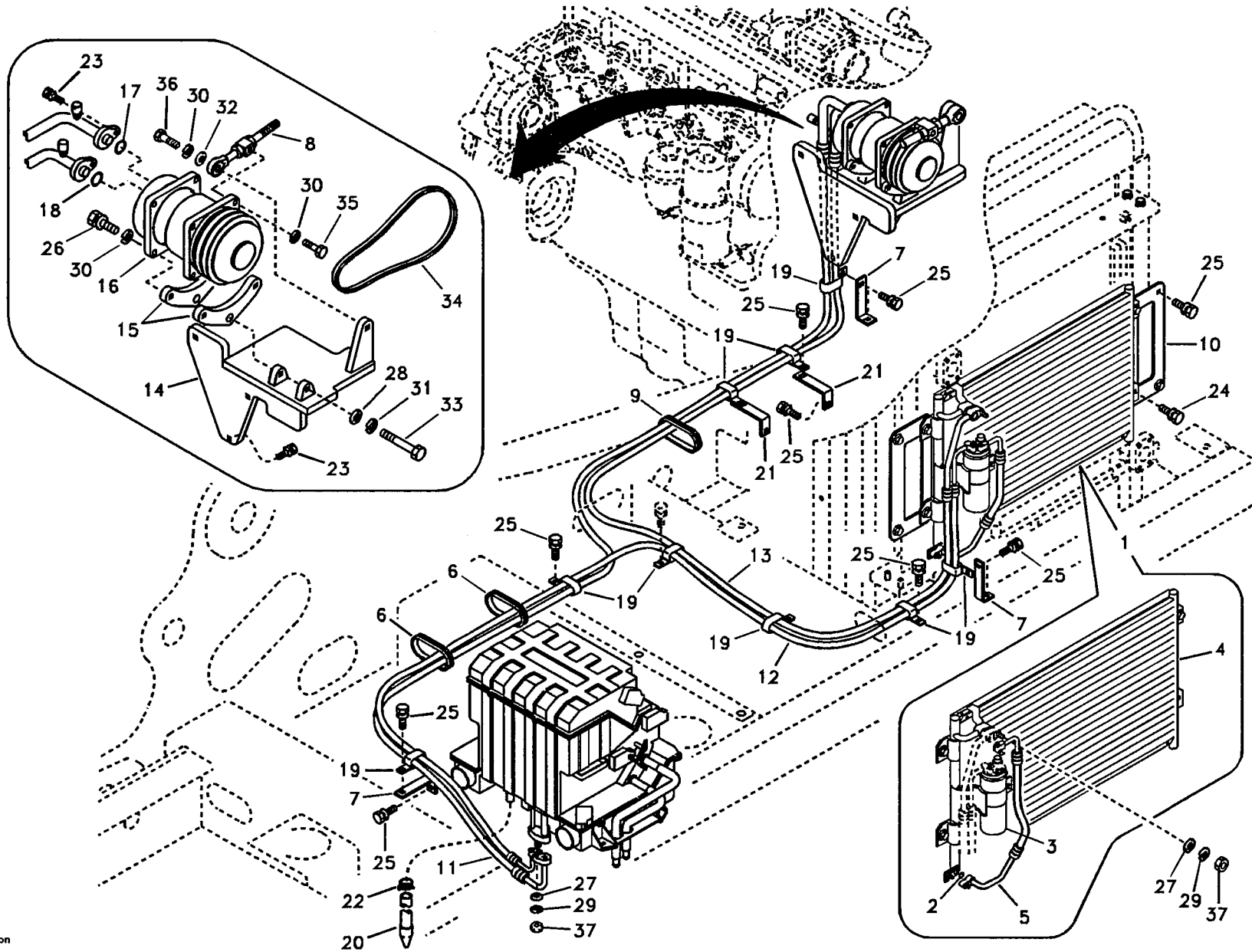


Fig.	Part No.	Quantity			P S	K I T	Description	Dénomination	Bezeichnung	품명	Denominación	Notes
		1	2	3								
31	VOE 955923	2				Washer.....	Rondelle.....	Scheibe.....	와셔.....	Arandela.....		
32	VOE 960148	1				Washer.....	Rondelle.....	Scheibe.....	와셔.....	Arandela.....		
33	VOE 978933	2				Screw.....	Vis.....	Schraube.....	스크류.....	Tornillo.....		
34	SA 9817-12410	1				V-belt.....	Courroie Trape.....	Keilriemen.....	V 벨트.....	Correa Trapez.....		
35	VOE 983251	1				Screw.....	Vis.....	Schraube.....	스크류.....	Tornillo.....		
36	VOE 983252	1				Screw.....	Vis.....	Schraube.....	스크류.....	Tornillo.....		
37	VOE 983302	4				Nut.....	Ecrou.....	Mutter.....	너트.....	Tuerca.....		

1	8277800	<b>Tubería de unidad de aire acondicionado</b> 에어콘 유니트 배관 <b>Klimaanlage, Leitung</b> Unité de conditionnement d'air Air conditioning unit line	Catalogue id	Group
2			<b>56141</b>	<b>874</b>
3			Illustr. No	Section
4			<b>TA187</b>	<b>100</b>
5			Issue	Page
		<b>VOE 7414356141</b>	<b>333</b>	

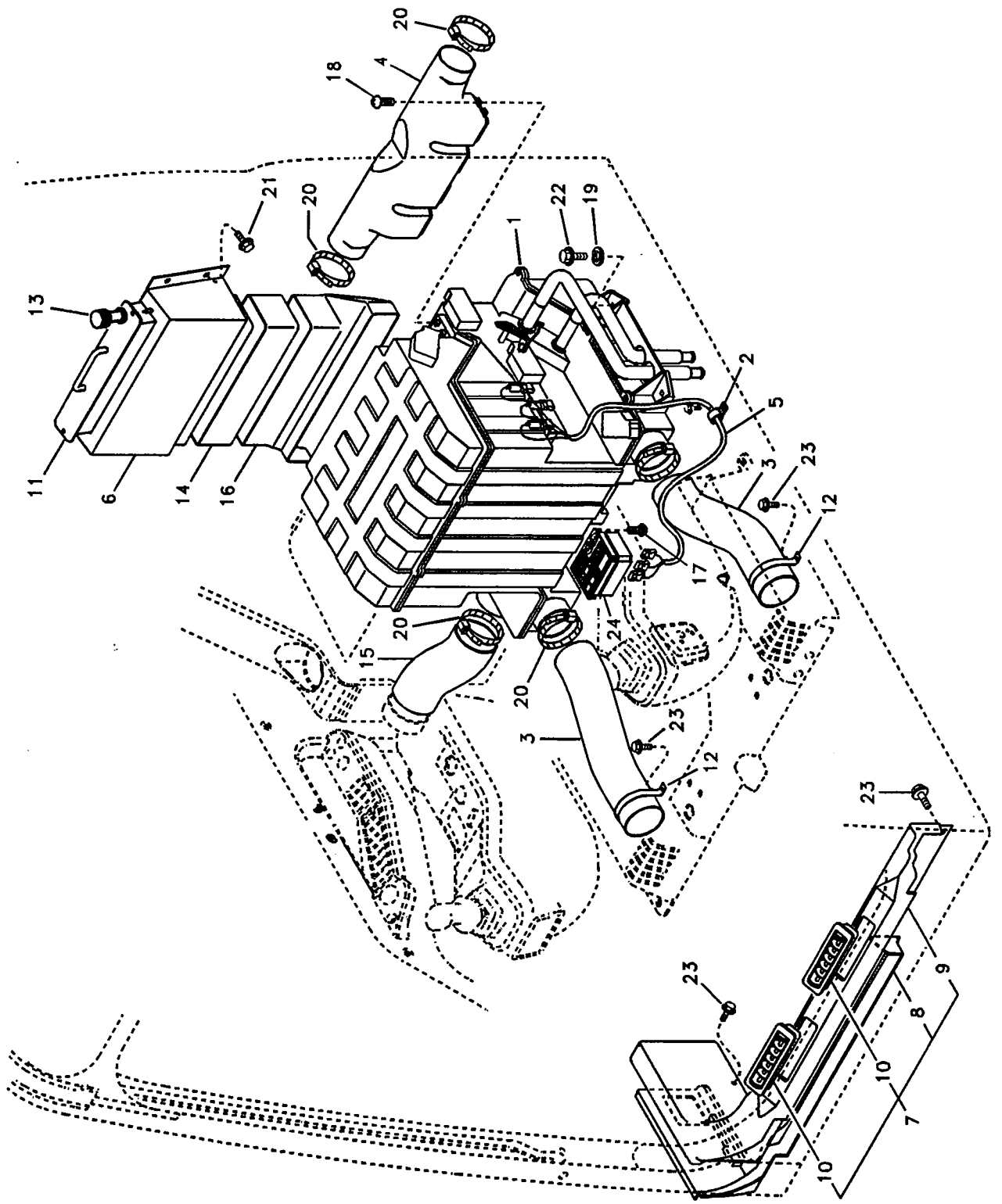


Fig.	Part No.	Quantity			P S	K I T	Description	Dénomination	Bezeichnung	품명	Denominación	Notes
		1	2	3								
1	VOE 14509385	1				Air Cond .....	Climatisation .....	Klimaanlage .....	에어콘 .....	Acondicion Aire.....	See group 874, Page 337	
2	VOE 14500295	1				Clip.....	Clip.....	Klemme.....	클립 .....	Clip.....		
3	VOE 14502537	2				Hose.....	Durit .....	Schlauch .....	호스 .....	Tubo flexible.....		
4	VOE 14502539	1				Duct.....	Conduit.....	Leitung .....	덕트 .....	Conducto.....		
5	VOE 14503260	1				Wire Harness .....	Faisceau électrique....	Kabelbaum.....	배선 .....	Manojo Cables.....		
6	VOE 14503262	1				Case.....	Etui.....	Futteral.....	케이스 .....	Funda.....		
7	VOE 14517758	1				Cover .....	Capot .....	Haube .....	커버 .....	Capa.....		
8	VOE 14503049	1				•Duct .....	•Conduit .....	•Leitung .....	•덕트 .....	•Conducto.....		
9	VOE 14517757	1				•Duct .....	•Conduit .....	•Leitung .....	•덕트 .....	•Conducto.....		
10	VOE 14517615	2				•Grille .....	•Grille .....	•Kühlergrill.....	•그릴 .....	•Calandra.....		
11	VOE 14503269	1				Filter.....	Filtre .....	Filter .....	필터 .....	Filtro.....		
12	VOE 14504237	2				Bracket.....	Console.....	Konsole .....	브라켓 .....	Ménsula.....		
13	VOE 14504267	2				Knob.....	Bouton.....	Knauf .....	손잡이 .....	Boton.....		
14	VOE 14505500	1				Grommet.....	Passe fil .....	Durchführung.....	그로메트 .....	Aislador pasapanel....		
15	VOE 14505516	1				Hose.....	Durit .....	Schlauch .....	호스 .....	Tubo flexible.....		
16	VOE 14503265	1				Duct.....	Conduit.....	Leitung .....	덕트 .....	Conducto.....		
17	SA 9025-04003	4				Screw.....	Vis .....	Schraube .....	스크류 .....	Tornillo.....		
18	SA 9025-05002	4				Screw.....	Vis .....	Schraube .....	스크류 .....	Tornillo.....		
19	SA 9285-16000	4				Washer.....	Rondelle.....	Scheibe .....	와셔 .....	Arandela.....		
20	SA 9312-10350	5				Clamp.....	Pince Serrage .....	Klemme .....	클램프 .....	Abrazadera.....		
21	VOE 946471	4				Flange Screw.....	Vis A Bride .....	Flanschschraube .....	플랜지 스크류 .....	Torn Embridado.....		
22	VOE 965185	4				Screw.....	Vis .....	Schraube .....	스크류 .....	Tornillo.....		
23	VOE 965175	8				Screw.....	Vis .....	Schraube .....	스크류 .....	Tornillo.....		
24	VOE 14503255	1				Switch .....	Contacteur .....	Schalter.....	스위치 .....	Contactador.....		

1	8277800	<b>Conducto de aire en cabina y suelo de cabina</b> 에어 분기장치 <b>Luftkanal in Kabine und Kabinenboden</b> <b>Conduit d'air dans la cabine et dans le plancher de cabine</b> <b>Air duct in cabin and cabin floor</b>	Catalogue id	Group
2			<b>56141</b>	<b>874</b>
3			Illustr. No	Section
4			<b>TA188</b>	<b>200</b>
5			Issue	Page
			<b>VOE 7414356141</b>	<b>335</b>



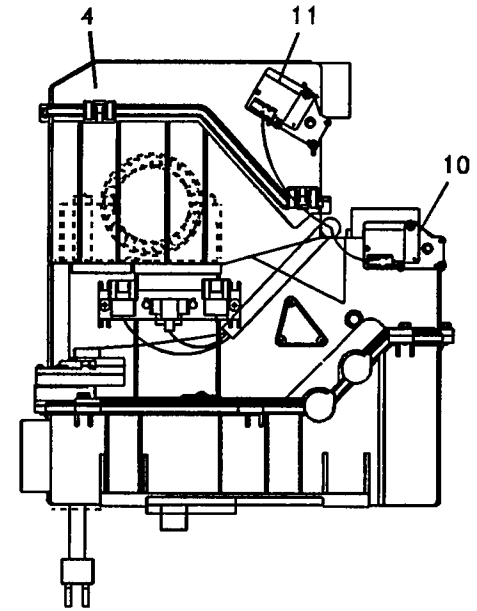
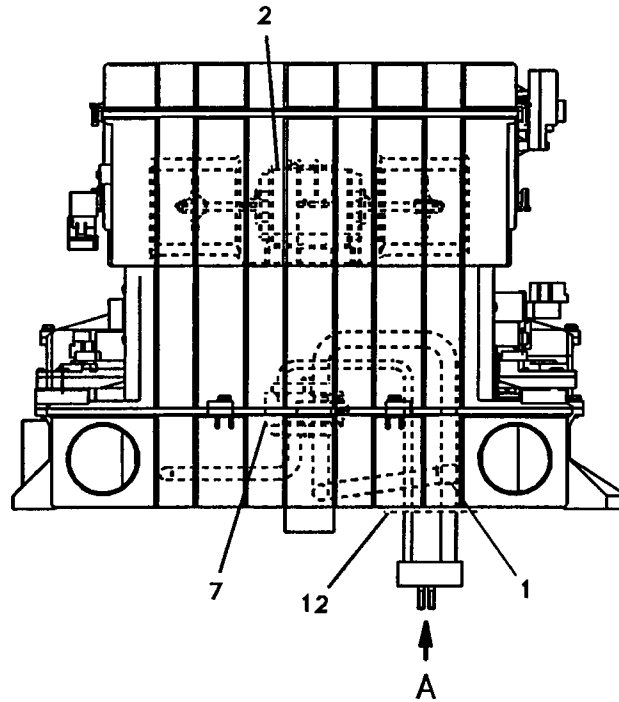
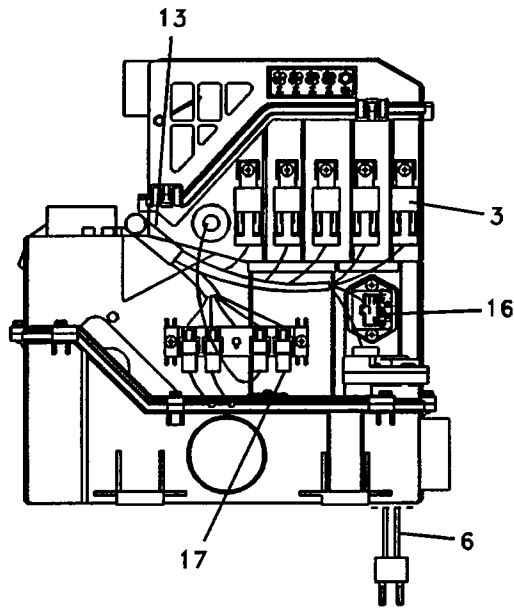
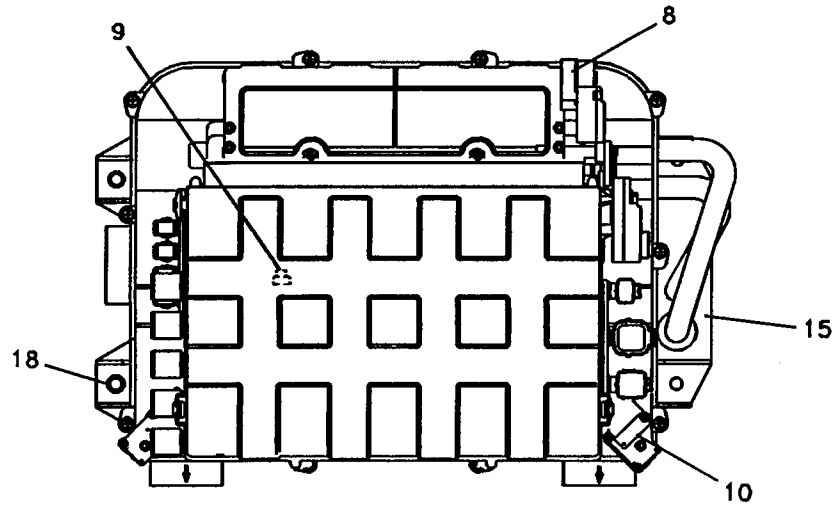
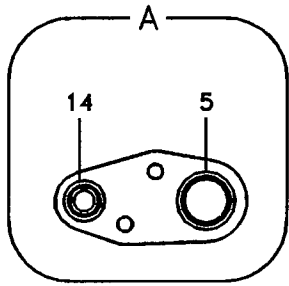


Fig.	Part No.	Quantity			P S	K I T	Description	Dénomination	Bezeichnung	품명	Denominación	Notes
		1	2	3								
	VOE 14509385	1				Air Cond .....	Climatisation .....	Klimaanlage .....	에어콘 .....	Acondicion Aire.....		
1	VOE 14509329	1				•Cooling System .....	•Sys Refroidisse.....	•K-hlanlage.....	•냉각장치 .....	•Sist Refrigerac.....		
2	VOE 14514331	1				•Motor .....	•Moteur.....	•Motor.....	•모터 .....	•Motor.....		
3	SA 1123-01900	5				•Relay .....	•Relais.....	•Relais.....	•릴레이 .....	•Rele.....	Three point	
4	VOE 14506997	1				•Filter.....	•Filtre.....	•Filter.....	•필터 .....	•Filtro.....		
5	SA 1025-01530	3				•O-ring.....	•Joint Torique .....	•O-ring.....	•오링 .....	•Junta torica.....		
6	VOE 14509330	1				•Pipe .....	•Canalisation .....	•Rohrleitung.....	•파이프 .....	•Canalizacion.....		
7	VOE 14509331	1				•Valve.....	•Soupape .....	•Ventil.....	•밸브 .....	•Valvula.....		
8	VOE 14509341	2				•Lever.....	•Levier .....	•Hebel.....	•레버 .....	•Palanca.....		
9	VOE 14509344	1				•Sensor .....	•Capteur .....	•Geber.....	•센서 .....	•Captador.....		
10	VOE 14509346	3				•Actuator .....	•Dispositif Mano .....	•Betätigun Organ.....	•액추에이터 .....	•Organos Mando.....		
11	VOE 14509348	1				•Actuator .....	•Dispositif Mano .....	•Betätigun Organ.....	•액추에이터 .....	•Organos Mando.....		
12	VOE 14509366	1				•Packing.....	•Joint .....	•Dichtung.....	•패킹 .....	•Empaquetadura.....		
13	VOE 14509376	1				•Wire Harness .....	•Faisceau électrique..	•Kabelbaum.....	•배선 .....	•Manojo Cables.....		
14	VOE 14509382	1				•O-ring.....	•Joint Torique .....	•O-ring.....	•오링 .....	•Junta torica.....		
15	VOE 14514000	1				•Packing.....	•Joint .....	•Dichtung.....	•패킹 .....	•Empaquetadura.....		
16	VOE 14514329	1				•Resistor .....	•Resistance .....	•Widerstand.....	•저항기 .....	•Resistencia.....		
17	SA 1122-03610	1				•Diode .....	•Diode .....	•Diode.....	•다이오드 .....	•Diodo.....		
18	VOE 14514720	4				•Rubber.....	•Caoutchouc.....	•Gummi .....	•고무 .....	•Caucha.....		

1	8277800	<b>Unidad de refrigeración</b> 에어콘 <b>Kühler</b> <b>Unité de refroidissement</b> <b>Cooling unit</b>	Catalogue id	Group
2			<b>56141</b>	<b>874</b>
3			Illustr. No	Section
4			<b>TA189</b>	<b>300</b>
5			Issue	Page
		<b>VOE 7414356141</b>	<b>337</b>	

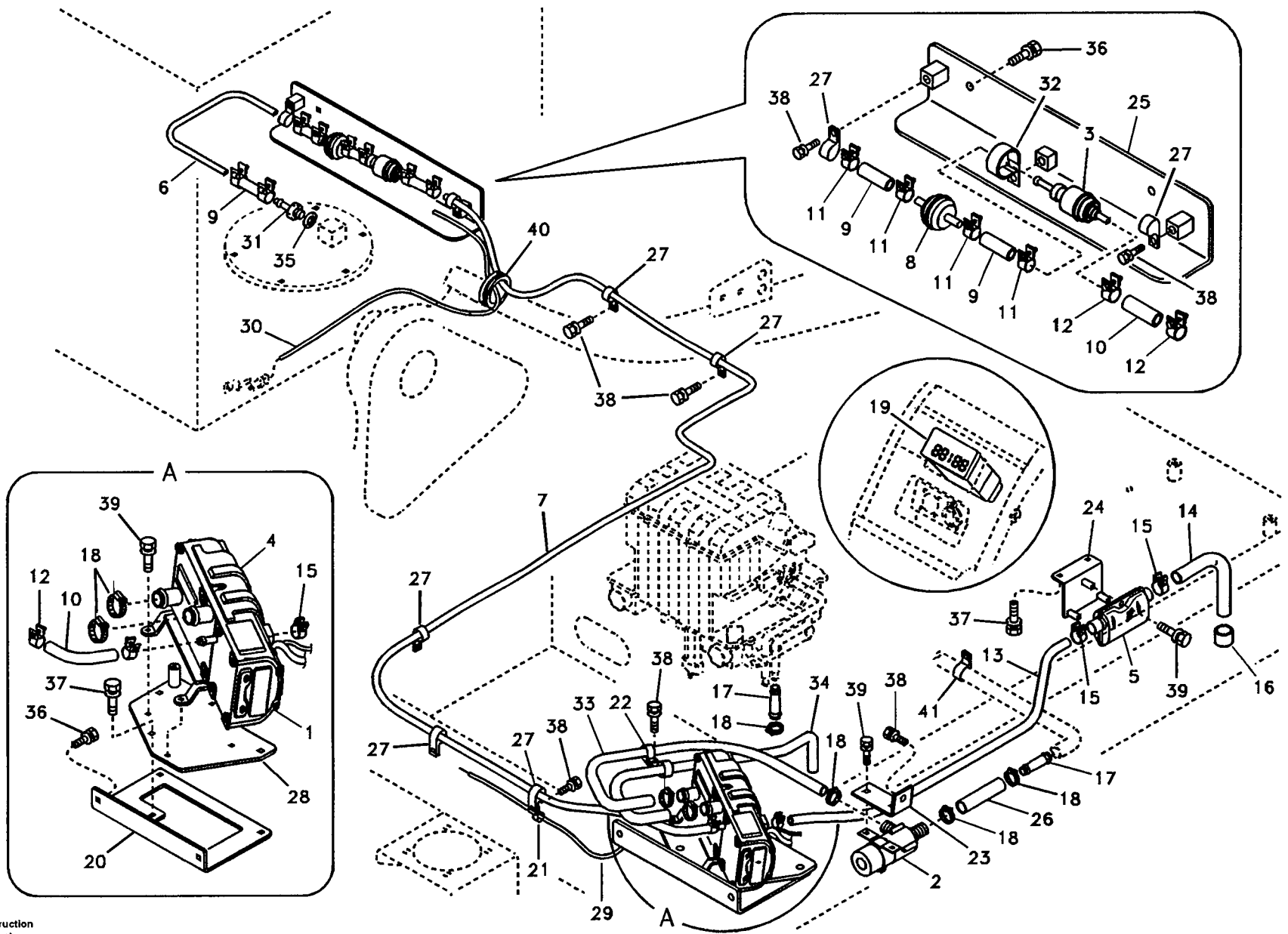


Fig.	Part No.	Quantity			P S	K I T	Description	Dénomination	Bezeichnung	품명	Denominación	Notes
		1	2	3								
	VOE 14500659	1				Heater .....	Eleme.chauffage .....	Heizkörper .....	히터 .....	Calefaccion.....		
1	VOE 14509273	1				•Heater.....	•Eleme.chauffage.....	•Heizkörper.....	• 히터 .....	•Calefaccion.....		
2	VOE 14509274	1				•Pump .....	•Pompe .....	•Pumpe.....	• 펌프 .....	•Bomba.....		
3	VOE 14509275	1				•Pump .....	•Pompe .....	•Pumpe.....	• 펌프 .....	•Bomba.....		
	VOE 14500660	1				Accessories.....	Accessoire .....	Zubehör.....	악세서리 .....	Accesorios.....		
4	VOE 14509258	1				•Holder .....	•Retenue .....	•Halter .....	• 홀더 .....	•Soporte.....		
5	VOE 14509259	1				•Muffler.....	•Silencieux .....	•Schalldämpfer .....	• 소음기 .....	•Silenciosa.....		
6	VOE 14509260	1				•Pipe .....	•Canalisation .....	•Rohrleitung.....	• 파이프 .....	•Canalización.....		
7	VOE 14509261	1				•Pipe .....	•Canalisation .....	•Rohrleitung.....	• 파이프 .....	•Canalización.....		
8	VOE 14509262	1				•Filter.....	•Filtre.....	•Filter .....	• 필터 .....	•Filtro.....		
9	VOE 14509263	3				•Connector .....	•Raccord .....	•Anschluss.....	• 커넥터 .....	•Union.....		
10	VOE 14509264	2				•Connector .....	•Raccord .....	•Anschluss.....	• 커넥터 .....	•Union.....		
11	VOE 14509265	6				•Clip .....	•Clip.....	•Klemme.....	• 클립 .....	•Clip.....		
12	VOE 14509266	4				•Clip .....	•Clip.....	•Klemme.....	• 클립 .....	•Clip.....		
13	VOE 14509267	1				•Pipe .....	•Canalisation .....	•Rohrleitung.....	• 파이프 .....	•Canalización.....		
14	VOE 14509268	1				•Pipe .....	•Canalisation .....	•Rohrleitung.....	• 파이프 .....	•Canalización.....		
15	VOE 14509269	3				•Clip .....	•Clip.....	•Klemme.....	• 클립 .....	•Clip.....		
16	VOE 14509270	1				•Sleeve.....	•Manchon .....	•Muffe.....	• 슬리브 .....	•Manguito.....		
17	VOE 14509271	2				•Connector .....	•Raccord .....	•Anschluss.....	• 커넥터 .....	•Union.....		
18	VOE 14509272	6				•Clip .....	•Clip.....	•Klemme.....	• 클립 .....	•Clip.....		
19	VOE 14500661	1				Timer.....	Chronometre .....	Zeitschaltwerk.....	타이머 .....	Reloj Programad.....		
20	VOE 14500156	1				Bracket.....	Console .....	Konsole .....	브라켓 .....	Ménsula.....		
21	VOE 14500291	1				Clip.....	Clip.....	Klemme.....	클립 .....	Clip.....		
22	VOE 14500297	2				Clip.....	Clip.....	Klemme.....	클립 .....	Clip.....		
23	VOE 14507597	1				Bracket.....	Console .....	Konsole .....	브라켓 .....	Ménsula.....		
24	VOE 14507598	1				Bracket.....	Console .....	Konsole .....	브라켓 .....	Ménsula.....		
25	VOE 14507603	1				Bracket.....	Console .....	Konsole .....	브라켓 .....	Ménsula.....		
26	VOE 14510682	1				Hose.....	Durit .....	Schlauch .....	호스 .....	Tubo flexible.....		
27	VOE 14508060	6				Clip.....	Clip.....	Klemme.....	클립 .....	Clip.....		
28	VOE 14509256	1				Bracket.....	Console .....	Konsole .....	브라켓 .....	Ménsula.....		

1	8277484	<b>Calefactor adicional</b> 보조 히터 <b>Zusatzheizung</b> <b>Rechauffeur auxiliaire</b> <b>Auxiliary Heater</b>	Catalogue id	Group
2			<b>56141</b>	<b>875</b>
3			Illustr. No	Section
4			<b>TA190</b>	<b>100</b>
5			Issue	Page
			<b>VOE 7414356141</b>	<b>339</b>

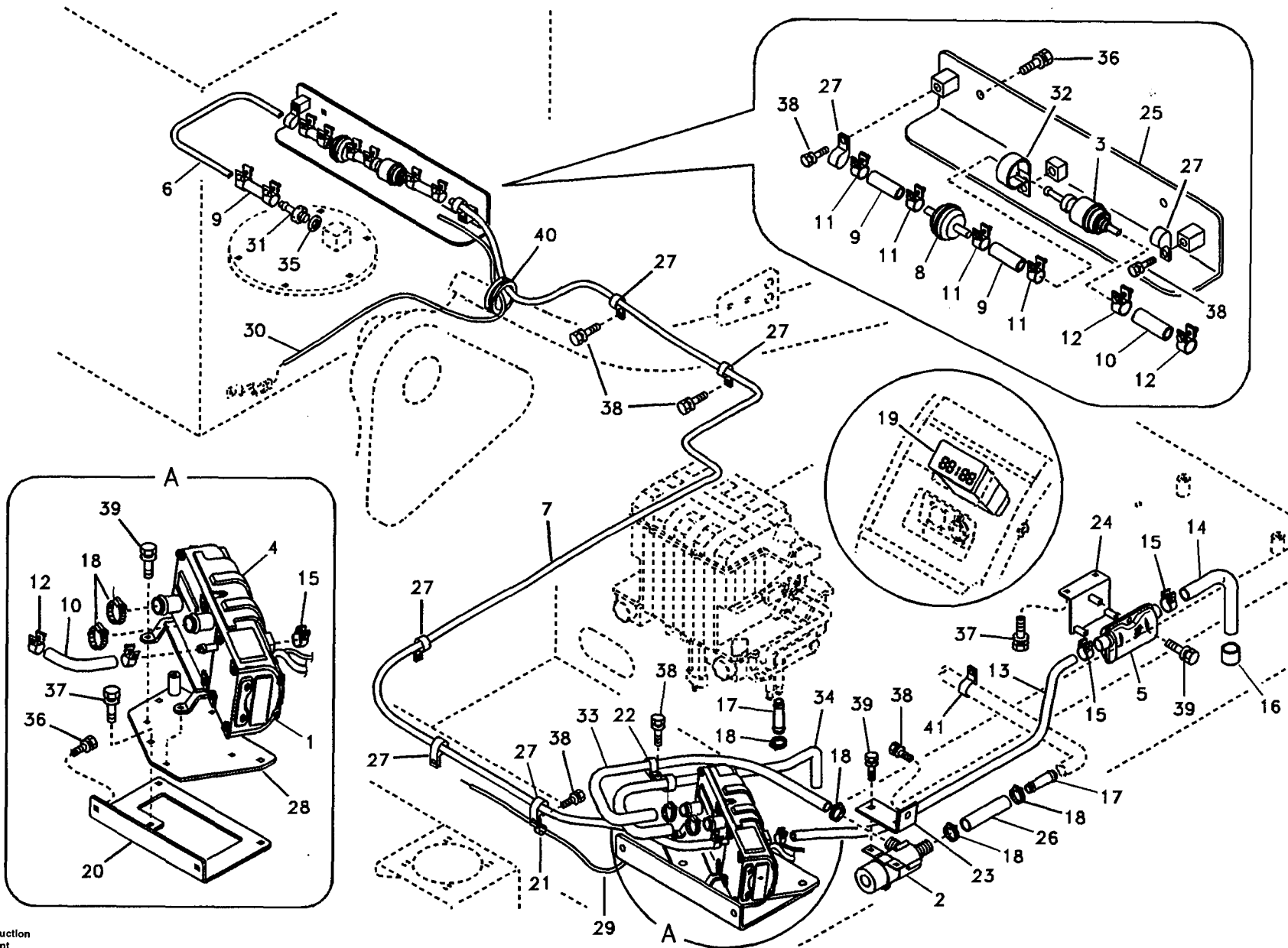


Fig.	Part No.	Quantity			P S	K I T	Description	Dénomination	Bezeichnung	품명	Denominación	Notes
		1	2	3								
29	VOE 14511431	1				Wire Harness .....	Faisceau électrique....	Kabelbaum.....	배선 .....	Manejo Cables.....		
30	VOE 14513932	1				Wire Harness .....	Faisceau électrique....	Kabelbaum.....	배선 .....	Manejo Cables.....		
31	VOE 14511459	1				Fitting .....	Ecrou Raccord .....	Verschraubung .....	피팅 .....	Racor.....		
32	VOE 14512894	1				Clip.....	Clip.....	Klemme.....	클립 .....	Clip.....		
33	VOE 14514374	1				Hose.....	Durit .....	Schlauch .....	호스 .....	Tubo flexible.....		
34	VOE 14514375	1				Hose.....	Durit .....	Schlauch .....	호스 .....	Tubo flexible.....		
35	SA 9426-20050	1				Gasket.....	Joint .....	Dichtung.....	가스켓 .....	Junta.....		
36	VOE 946329	4				Flange Screw .....	Vis A Bride .....	Flanschschraube .....	플랜지 스크류 .....	Torn Embridado.....		
37	VOE 946441	5				Flange Screw .....	Vis A Bride .....	Flanschschraube .....	플랜지 스크류 .....	Torn Embridado.....		
38	VOE 946471	8				Flange Screw .....	Vis A Bride .....	Flanschschraube .....	플랜지 스크류 .....	Torn Embridado.....		
39	VOE 965175	11				Screw .....	Vis .....	Schraube .....	스크류 .....	Tornillo.....		
40	SA 9751-16427	1				Grommet.....	Passe fil .....	Durchführung.....	그로메트 .....	Aislador pasapanel....		
41	VOE 14500295	1				Clip.....	Clip.....	Klemme.....	클립 .....	Clip.....		

1	8277484	<b>Calefactor adicional</b> 보조 히터 <b>Zusatzheizung</b> <b>Rechauffeur auxiliaire</b> <b>Auxiliary Heater</b>	Catalogue id	Group
2			<b>56141</b>	<b>875</b>
3			Illustr. No	Section
4			<b>TA190</b>	<b>100</b>
5			Issue	Page
			<b>VOE 7414356141</b>	<b>341</b>

**VOLVO**

**EC210B**

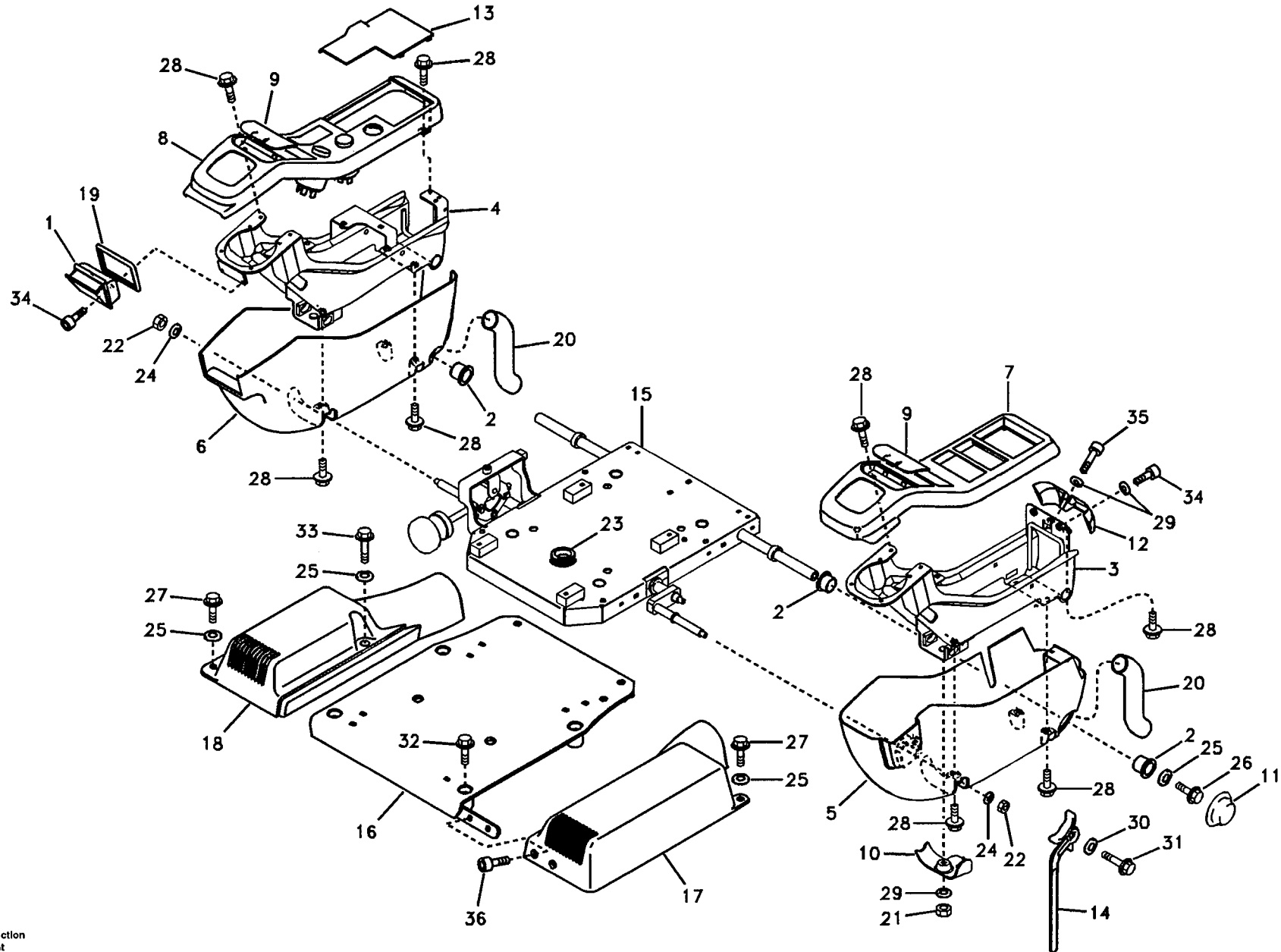


Fig.	Part No.	Quantity			P S	K T	Description	Dénomination	Bezeichnung	품명	Denominación	Notes
		1	2	3								
1	SA 1066-02890	1					Ashtray.....	Cendrier.....	Aschenbecher.....	재떨이.....	Cenicero.....	
2	SA 1168-00090	4					Bushing.....	Bague.....	Buchse.....	부싱.....	Casquilla.....	
3	VOE 14508313	1					Support.....	Support.....	Stütze.....	서포트.....	Apoyo.....	
4	VOE 14508314	1					Support.....	Support.....	Stütze.....	서포트.....	Apoyo.....	
5	VOE 14508315	1					Cover.....	Capot.....	Haube.....	커버.....	Capa.....	
6	VOE 14508316	1					Cover.....	Capot.....	Haube.....	커버.....	Capa.....	
7	VOE 14508317	1					Cover.....	Capot.....	Haube.....	커버.....	Capa.....	
8	VOE 14508318	1					Cover.....	Capot.....	Haube.....	커버.....	Capa.....	
9	VOE 14508319	2					Clip.....	Clip.....	Klemme.....	클립.....	Clip.....	
10	VOE 14508320	1					Clip.....	Clip.....	Klemme.....	클립.....	Clip.....	
11	VOE 14508321	1					Clip.....	Clip.....	Klemme.....	클립.....	Clip.....	
12	VOE 14508322	1					Clip.....	Clip.....	Klemme.....	클립.....	Clip.....	
13	VOE 14508323	1					Cover.....	Capot.....	Haube.....	커버.....	Capa.....	
14	VOE 14508324	1					Lever.....	Levier.....	Hebel.....	레버.....	Palanca.....	
15	VOE 14508352	1					Support.....	Support.....	Stütze.....	서포트.....	Apoyo.....	
16	VOE 14508395	1					Support.....	Support.....	Stütze.....	서포트.....	Apoyo.....	
17	VOE 14508396	1					Cover.....	Capot.....	Haube.....	커버.....	Capa.....	
18	VOE 14508397	1					Cover.....	Capot.....	Haube.....	커버.....	Capa.....	
19	VOE 14508442	1					Seal.....	Joint.....	Dichtring.....	시일.....	Junta.....	
20	VOE 14515539	2					Cover.....	Capot.....	Haube.....	커버.....	Capa.....	
21	SA 9131-10600	1					Lock Nut.....	Contre-ecrou.....	Sicher Mutter.....	록 너트.....	Contratuerca.....	
22	SA 9131-10800	2					Lock Nut.....	Contre-ecrou.....	Sicher Mutter.....	록 너트.....	Contratuerca.....	
23	SA 9751-12504	1					Grommet.....	Passe fil.....	Durchführung.....	그로메트.....	Aislador pasapanel....	
24	SA 9285-15000	2					Washer.....	Rondelle.....	Scheibe.....	와셔.....	Arandela.....	
25	SA 9285-16000	6					Washer.....	Rondelle.....	Scheibe.....	와셔.....	Arandela.....	
26	VOE 946471	2					Flange Screw.....	Vis A Bride.....	Flanschschraube.....	플랜지 스크류.....	Torn Embridado.....	
27	VOE 946472	3					Flange Screw.....	Vis A Bride.....	Flanschschraube.....	플랜지 스크류.....	Torn Embridado.....	
28	VOE 946544	12					Screw.....	Vis.....	Schraube.....	스크류.....	Tornillo.....	
29	VOE 955892	4					Washer.....	Rondelle.....	Scheibe.....	와셔.....	Arandela.....	
30	SA 9285-11000	1					Washer.....	Rondelle.....	Scheibe.....	와셔.....	Arandela.....	

1	8277784	<b>Panel de instrumentos, panel de mandos</b> 계기판, 제어 패널 <b>Armaturen Brett, Bedientafel</b> <b>Panneau d'instruments, panneau de commande</b> <b>Instrument panel, control panel</b>	Catalogue id	Group
2			56141	881
3			Illustr. No	Section
4			TA191	100
5			Issue	Page
			VOE 7414356141	343



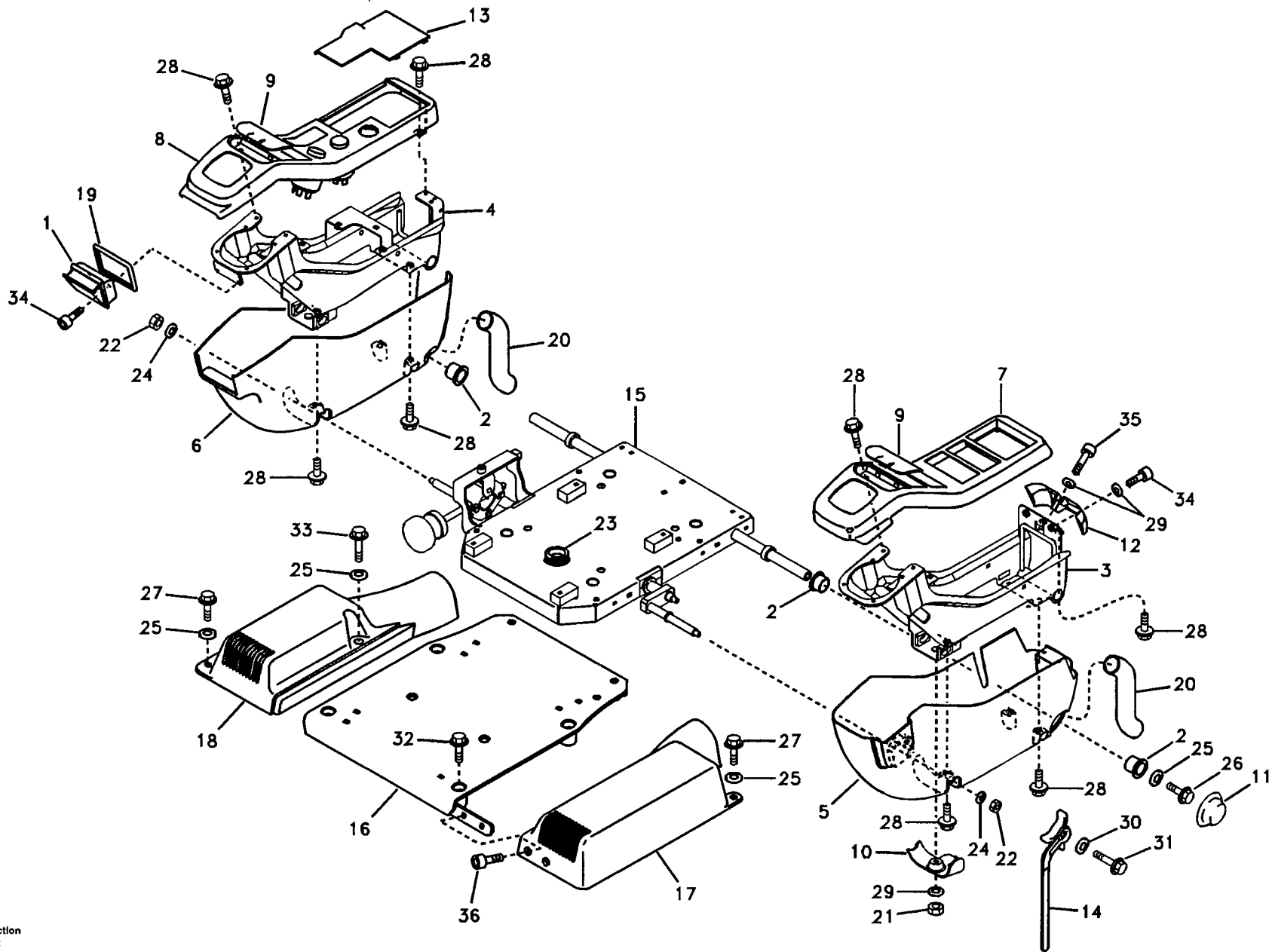


Fig.	Part No.	Quantity			P S	K I T	Description	Dénomination	Bezeichnung	품명	Denominación	Notes
		1	2	3								
31	VOE 965175	1				Screw .....	Vis .....	Schraube .....	스크류 .....	Tornillo.....		
32	VOE 965186	4				Screw .....	Vis .....	Schraube .....	스크류 .....	Tornillo.....		
33	VOE 965187	1				Screw .....	Vis .....	Schraube .....	스크류 .....	Tornillo.....		
34	VOE 969422	4				Screw .....	Vis .....	Schraube .....	스크류 .....	Tornillo.....		
35	VOE 969587	1				6-pt Skt Screw.....	Vis Creuse 6 De .....	6-zahn Hohlschr .....	6 포인트 소켓 스크류	Racor 6-dientes.....		
36	VOE 969843	2				Screw .....	Vis .....	Schraube .....	스크류 .....	Tornillo.....		

1	8277784	<b>Panel de instrumentos, panel de mandos</b> 계기판 , 제어 패널 <b>Armaturenbrett, Bedientafel</b> <b>Panneau d'instruments, panneau de commande</b> <b>Instrument panel, control panel</b>	Catalogue id <b>56141</b>	Group <b>881</b>
2			Illustr. No <b>TA191</b>	Section <b>100</b>
3				Issue VOE 7414356141
4				
5				

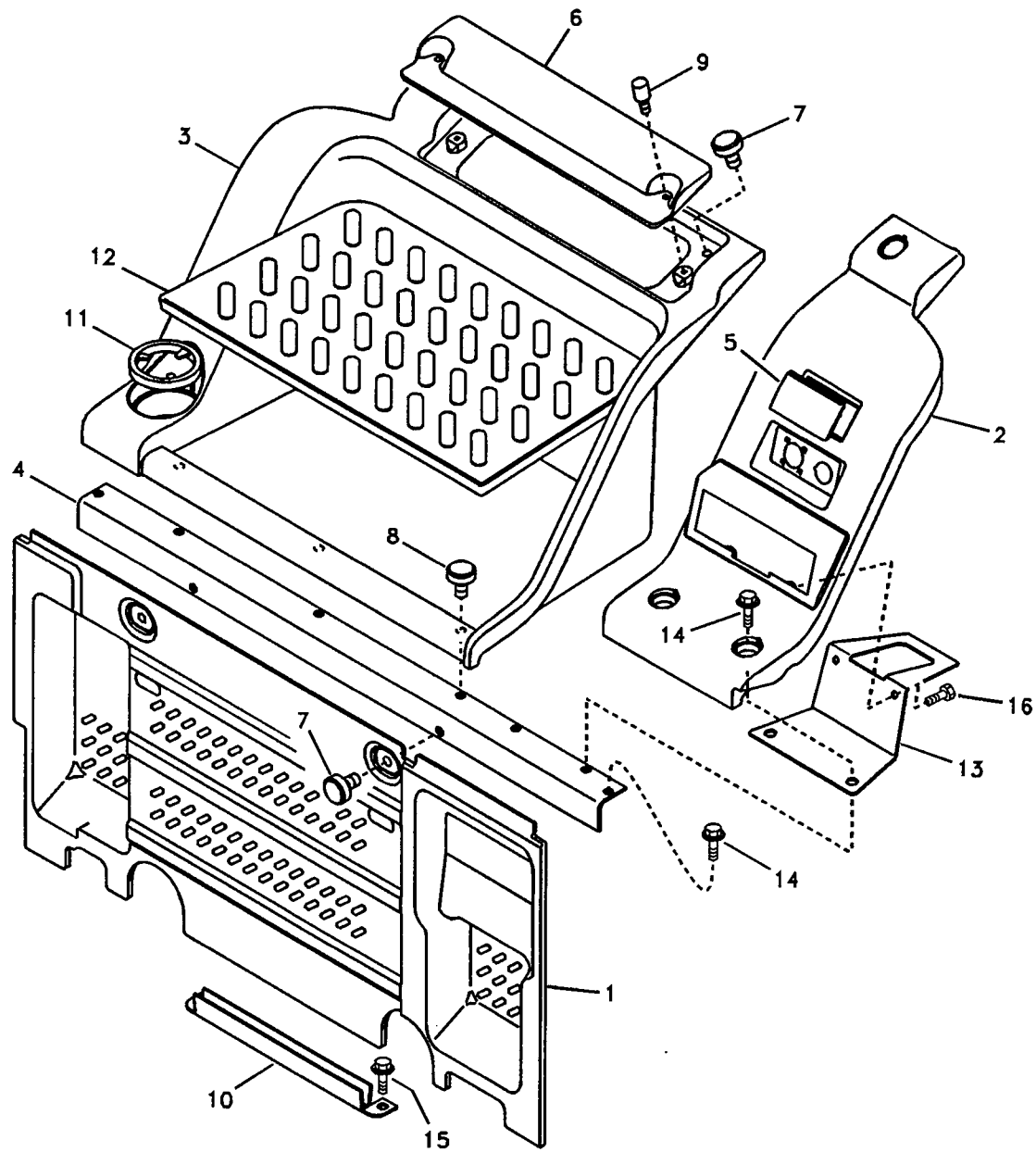


Fig.	Part No.	Quantity			P S	K T	Description	Dénomination	Bezeichnung	품명	Denominación	Notes
		1	2	3								
1	VOE 14508088	1				Cover .....	Capot .....	Haube .....	커버 .....	Capa.....		
2	VOE 14508089	1				Cover .....	Capot .....	Haube .....	커버 .....	Capa.....		
3	VOE 14508090	1				Cover .....	Capot .....	Haube .....	커버 .....	Capa.....		
4	VOE 14508091	1				Support .....	Support .....	Stütze .....	서포트 .....	Apoyo.....		
5	VOE 14508094	1				Cover .....	Capot .....	Haube .....	커버 .....	Capa.....		
6	VOE 14508095	1				Cover .....	Capot .....	Haube .....	커버 .....	Capa.....		
7	VOE 14508096	4				Knob.....	Bouton.....	Knauf .....	손잡이 .....	Boton.....		
8	VOE 14508097	3				Knob.....	Bouton.....	Knauf .....	손잡이 .....	Boton.....		
9	VOE 14508098	2				Knob.....	Bouton.....	Knauf .....	손잡이 .....	Boton.....		
10	VOE 14508099	1				Channel.....	Barre U.....	U-träger .....	채널 .....	Barra-u.....		
11	VOE 14508100	1				Holder .....	Retenue .....	Halter .....	홀더 .....	Soporte.....		
12	VOE 14508101	1				Floor.....	Plancher .....	Boden .....	플로어 .....	Piso.....		
13	VOE 14508102	1				Support .....	Support .....	Stütze .....	서포트 .....	Apoyo.....		
14	VOE 946440	5				Flange Screw .....	Vis A Bride .....	Flanschschraube .....	플랜지 스크류 .....	Torn Embridado.....		
15	VOE 946441	2				Flange Screw .....	Vis A Bride .....	Flanschschraube .....	플랜지 스크류 .....	Torn Embridado.....		
16	VOE 983241	2				Screw .....	Vis .....	Schraube .....	스크류 .....	Tornillo.....		

1	8277784	<b>Panel de instrumentos, panel de radio</b> 계기판 , 라디오 패널 <b>Armaturenbrett, Radio</b> <b>Panneau d'instruments, radio</b> <b>Instrument panel, radio panel</b>	Catalogue id	Group
2			<b>56141</b>	<b>881</b>
3			Illustr. No	Section
4			<b>TA192</b>	<b>200</b>
5			Issue	Page
		<b>VOE 7414356141</b>	<b>347</b>	

**VOLVO**

**EC210B**

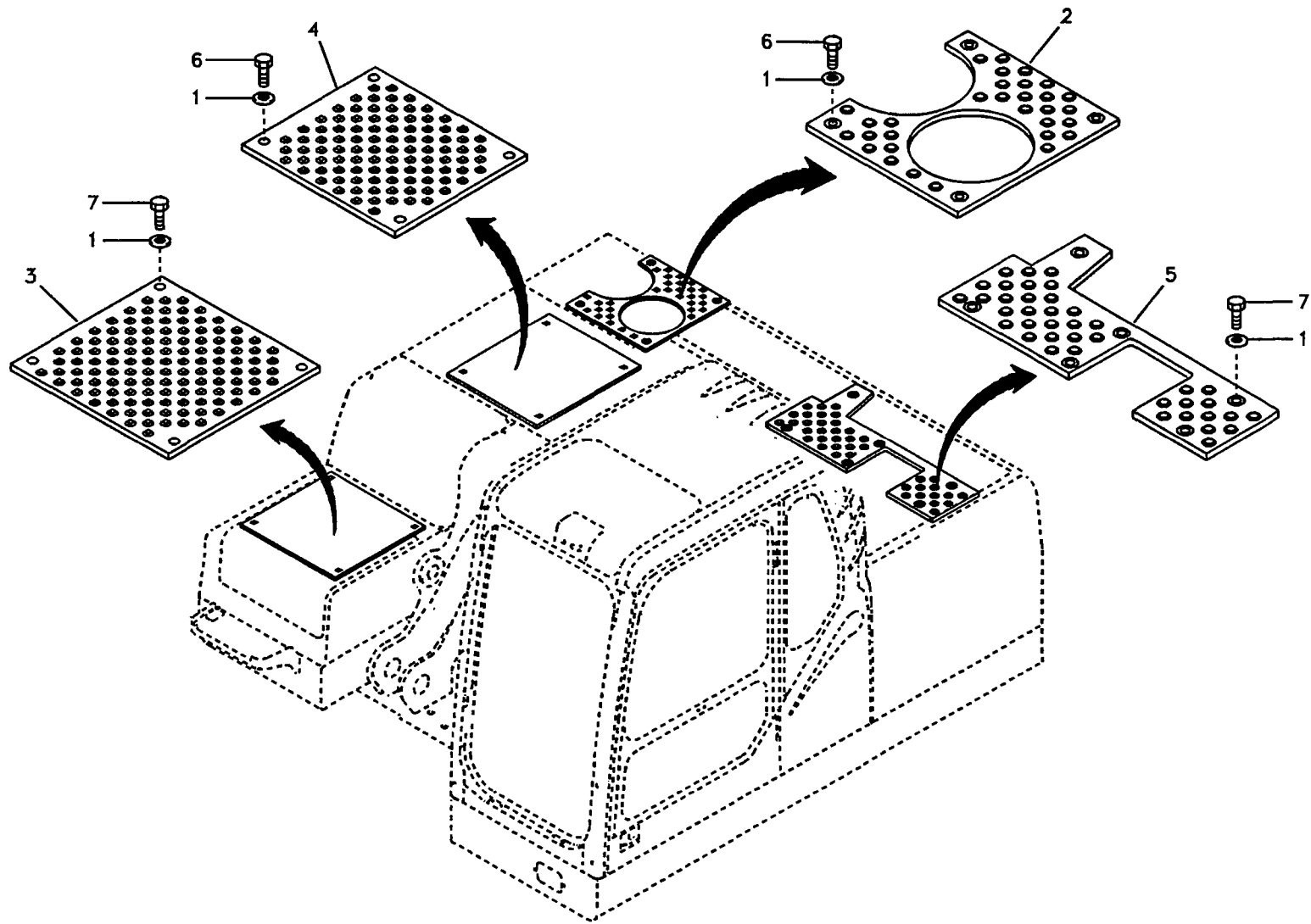


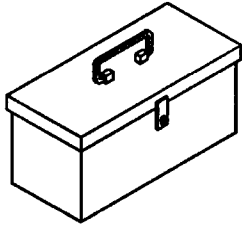
Fig.	Part No.	Quantity			P S	K I T	Description	Dénomination	Bezeichnung	품명	Denominación	Notes
		1	2	3								
1	SA 1012-00160	18				Washer.....	Rondelle.....	Scheibe.....	와셔.....	Arandela.....		
2	VOE 14504895	1				Slip Protection.....	Antiderapant.....	Gleitschutz.....	미끄럼 방지판.....	Prot Antidesliz.....		
3	VOE 14508811	1				Slip Protection.....	Antiderapant.....	Gleitschutz.....	미끄럼 방지판.....	Prot Antidesliz.....		
4	VOE 14504894	1				Slip Protection.....	Antiderapant.....	Gleitschutz.....	미끄럼 방지판.....	Prot Antidesliz.....		
5	VOE 14509573	1				Slip Protection.....	Antiderapant.....	Gleitschutz.....	미끄럼 방지판.....	Prot Antidesliz.....		
6	SA 9011-11203	8				Bolt.....	Boulon.....	Bolzen.....	볼트.....	Perno.....		
7	VOE 978932	10				Screw.....	Vis.....	Schraube.....	스크류.....	Tornillo.....		

1	8277784	<b>Antideslizante</b> 미끄럼 방지 장치 <b>Antirutschmatte</b> <b>Anti glissement</b> <b>Anti slip</b>	Catalogue id	Group
2			<b>56141</b>	<b>891</b>
3			Illustr. No	Section
4			<b>TA193</b>	<b>100</b>
5			Issue	Page
			<b>VOE 7414356141</b>	<b>349</b>

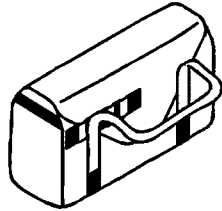
**VOLVO**

**EC210B**

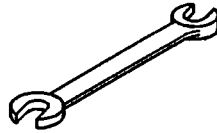
1



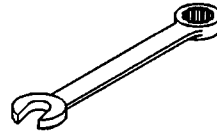
2



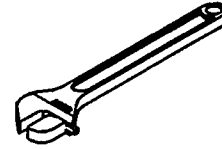
3-9



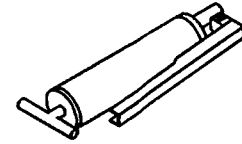
10-12



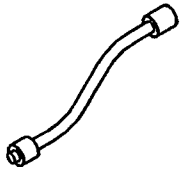
13



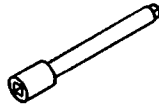
14



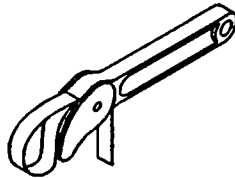
15



16



17



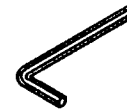
18



19



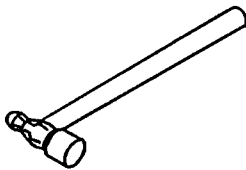
20-25



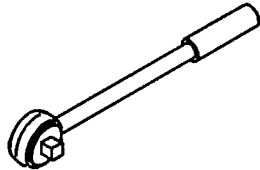
26-29



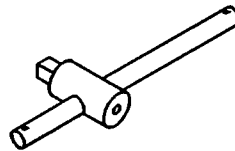
30



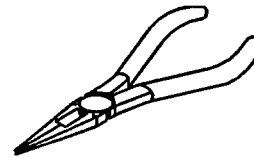
31



32



33



34



35-48



Fig.	Part No.	Quantity			P S	K I T	Description	Dénomination	Bezeichnung	품명	Denominación	Notes
		1	2	3								
	VOE 14507004	1				Tool.....	Outil.....	Werkzeug .....	공구 .....	Herramienta.....	Daily maintenance kit	
	VOE 14516491		1			Tool.....	Outil.....	Gerät .....	공구 .....	Aparejo.....	Full scale	
1			1	NS		•Tool Box .....	•Boîte a outils .....	•Werkzeugkasten .....	•공구 박스.....	•Caja herramientas....		
2			1	NS		•Tool Bag .....	•Trousse outils .....	•Werkzeugtasche .....	•공구 백 .....	•Estuche herramienta		
3			1	NS		•Wrench .....	•Cle .....	•Schraubenschlüssel..	•렌치 .....	•Llave.....	10mm x 12mm	
4		1	1	NS		•Wrench .....	•Cle .....	•Schraubenschlüssel..	•렌치 .....	•Llave.....	13mm x 17mm	
5			1	NS		•Wrench .....	•Cle .....	•Schraubenschlüssel..	•렌치 .....	•Llave.....	19mm x 22mm	
6		1	1	NS		•Wrench .....	•Cle .....	•Schraubenschlüssel..	•렌치 .....	•Llave.....	24mm x 27mm	
7		1	1	NS		•Wrench .....	•Cle .....	•Schraubenschlüssel..	•렌치 .....	•Llave.....	30mm x 32mm	
8			1	NS		•Wrench .....	•Cle .....	•Schraubenschlüssel..	•렌치 .....	•Llave.....	36mm x 41mm	
9			1	NS		•Wrench .....	•Cle .....	•Schraubenschlüssel..	•렌치 .....	•Llave.....	12mm x 14mm	
10			1	NS		•Wrench .....	•Cle .....	•Schraubenschlüssel..	•렌치 .....	•Llave.....	12mm	
11			1	NS		•Wrench .....	•Cle .....	•Schraubenschlüssel..	•렌치 .....	•Llave.....	16mm	
12			1	NS		•Wrench .....	•Cle .....	•Schraubenschlüssel..	•렌치 .....	•Llave.....	18mm	
13			1	NS		•Wrench .....	•Cle .....	•Schraubenschlüssel..	•렌치 .....	•Llave.....	200mm	
14		1	1	NS		•Grease Gun .....	•Pompe a graisse.....	•Fettpresse .....	•그리스 건.....	•Bomba de grasa.....	500cc	
15		1	1	NS		•Tool.....	•Outil .....	•Gerät.....	•공구 .....	•Aparejo.....	13 1/4	
16			1	NS		•Bar .....	•Barre .....	•Stab .....	•바.....	•Barra.....	5"	
17			1	NS		•Wrench .....	•Cle .....	•Schraubenschlüssel..	•렌치 .....	•Llave.....	750mm	
18		1	1	NS		•Screwdriver.....	•Tournevis .....	•Schraubenzieher.....	•스크류드라이버 .....	•Destornillador.....	6x100,Plus	
19		1	1	NS		•Screwdriver.....	•Tournevis .....	•Schraubenzieher.....	•스크류드라이버 .....	•Destornillador.....	6x100,Minus	
20			1	NS		•Wrench .....	•Cle .....	•Schraubenschlüssel..	•렌치 .....	•Llave.....	4mm	
21			1	NS		•Wrench .....	•Cle .....	•Schraubenschlüssel..	•렌치 .....	•Llave.....	6mm	
22			1	NS		•Wrench .....	•Cle .....	•Schraubenschlüssel..	•렌치 .....	•Llave.....	8mm	
23			1	NS		•Wrench .....	•Cle .....	•Schraubenschlüssel..	•렌치 .....	•Llave.....	10mm	
24			1	NS		•Wrench .....	•Cle .....	•Schraubenschlüssel..	•렌치 .....	•Llave.....	12mm	
25			1	NS		•Wrench .....	•Cle .....	•Schraubenschlüssel..	•렌치 .....	•Llave.....	17mm	
26			1	NS		•Wrench .....	•Cle .....	•Schraubenschlüssel..	•렌치 .....	•Llave.....	T20	
27			1	NS		•Wrench .....	•Cle .....	•Schraubenschlüssel..	•렌치 .....	•Llave.....	T25	
28			1	NS		•Wrench .....	•Cle .....	•Schraubenschlüssel..	•렌치 .....	•Llave.....	T30	

1	8277259	<b>Herramienta</b> <b>공구</b> <b>Werkzeug</b> <b>Outil</b> <b>Tool</b>	Catalogue id	Group
2	8277588		<b>56141</b>	<b>896</b>
3			Illustr. No	Section
4			<b>TA194</b>	<b>100</b>
5			Issue	Page
			<b>VOE 7414356141</b>	<b>351</b>



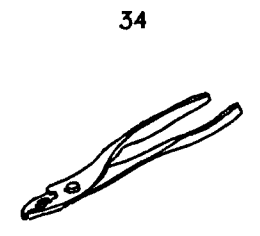
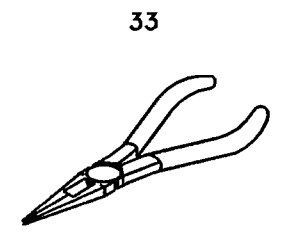
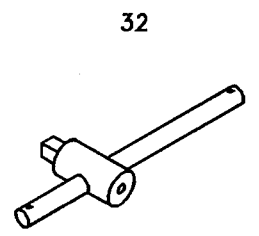
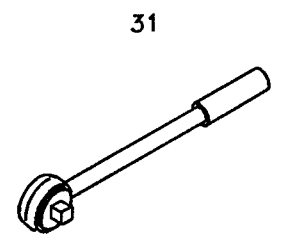
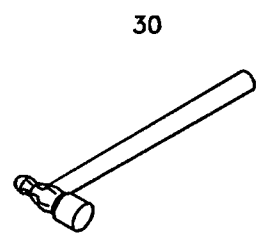
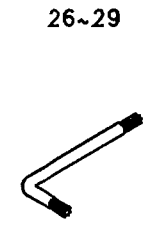
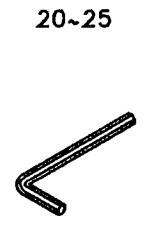
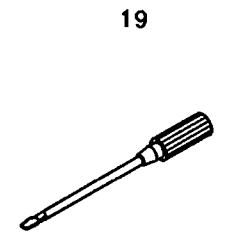
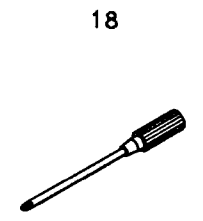
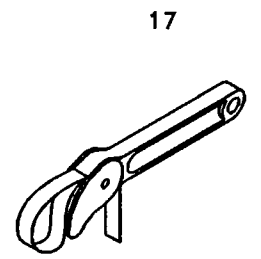
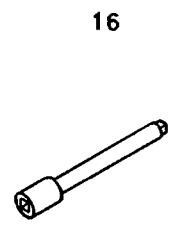
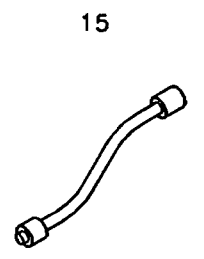
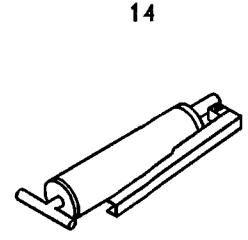
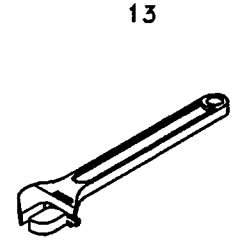
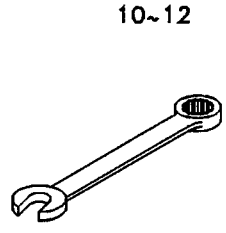
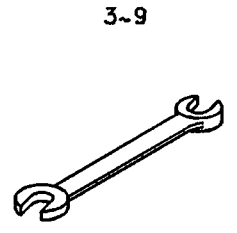
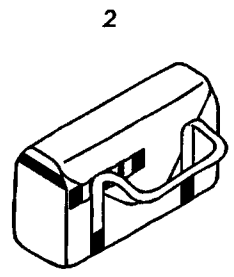
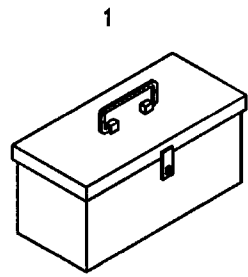


Fig.	Part No.	Quantity			P S	K T	Description	Dénomination	Bezeichnung	품명	Denominación	Notes
		1	2	3								
29		1			NS	•Wrench .....	•Cle .....	•Schraubenschlüssel..	• 렌치 .....	•Llave.....	T40	
30		1			NS	•Hammer .....	•Marteau.....	•Hammer .....	• 망치 .....	•Martillo.....	5"	
31		1			NS	•Ratchet Handle .....	•Cliquet.....	•Knarre .....	• 래칭 핸들 .....	•Llave Carraca.....	10"	
32		1			NS	•Handle .....	•Poignee.....	•Handgriff .....	• 핸들 .....	•Manilla.....	20"	
33		1			NS	•Pliers.....	•Pince.....	•Zange.....	• 플라이어 .....	•Alicates.....	6"	
34		1			NS	•Pliers.....	•Pince.....	•Zange.....	• 플라이어 .....	•Alicates.....	6"	
35		1			NS	•Socket.....	•Socle.....	•Socket .....	• 소켓 .....	•Zocalo.....	8mm,1/2 SQ	
36		1			NS	•Socket.....	•Socle.....	•Socket .....	• 소켓 .....	•Zocalo.....	10mm,1/2 SQ	
37		1			NS	•Socket.....	•Socle.....	•Socket .....	• 소켓 .....	•Zocalo.....	12mm,1/2 SQ	
38		1			NS	•Socket.....	•Socle.....	•Socket .....	• 소켓 .....	•Zocalo.....	13mm,1/2 SQ	
39		1			NS	•Socket.....	•Socle.....	•Socket .....	• 소켓 .....	•Zocalo.....	16mm,1/2 SQ	
40		1			NS	•Socket.....	•Socle.....	•Socket .....	• 소켓 .....	•Zocalo.....	17mm,1/2 SQ	
41		1			NS	•Socket.....	•Socle.....	•Socket .....	• 소켓 .....	•Zocalo.....	18mm,1/2 SQ	
42		1			NS	•Socket.....	•Socle.....	•Socket .....	• 소켓 .....	•Zocalo.....	19mm,1/2 SQ	
43		1			NS	•Socket.....	•Socle.....	•Socket .....	• 소켓 .....	•Zocalo.....	22mm,1/2 SQ	
44		1			NS	•Socket.....	•Socle.....	•Socket .....	• 소켓 .....	•Zocalo.....	24mm,1/2 SQ	
45		1			NS	•Socket.....	•Socle.....	•Socket .....	• 소켓 .....	•Zocalo.....	26mm,1/2 SQ	
46		1			NS	•Socket.....	•Socle.....	•Socket .....	• 소켓 .....	•Zocalo.....	30mm,3/4 SQ	
47		1			NS	•Socket.....	•Socle.....	•Socket .....	• 소켓 .....	•Zocalo.....	32mm,3/4 SQ	
48		1			NS	•Socket.....	•Socle.....	•Socket .....	• 소켓 .....	•Zocalo.....	36mm,3/4 SQ	

1	8277259	<b>Herramienta</b> <b>공구</b> <b>Werkzeug</b> <b>Outil</b> <b>Tool</b>	Catalogue id	Group
2	8277588		<b>56141</b>	<b>896</b>
3			Illustr. No	Section
4			<b>TA194</b>	<b>100</b>
5			Issue	Page
		<b>VOE 7414356141</b>	<b>353</b>	



Fig.	Part No.	Quantity			P S	K I T	Description	Dénomination	Bezeichnung	품명	Denominación	Notes
		1	2	3								
1	VOE 969160	1				Fuse .....	Fusible .....	Schmelzsicherg.....	휴즈 .....	Fusible.....	5A,Tan	
2	VOE 969161	1				Fuse .....	Fusible .....	Schmelzsicherg.....	휴즈 .....	Fusible.....	10A,Red	
3	VOE 969162	1				Fuse .....	Fusible .....	Schmelzsicherg.....	휴즈 .....	Fusible.....	15A,Light blue	
4	VOE 978999	1				Fuse .....	Fusible .....	Schmelzsicherg.....	휴즈 .....	Fusible.....	20A,Yellow	
5	VOE 969164	1				Fuse .....	Fusible .....	Schmelzsicherg.....	휴즈 .....	Fusible.....	30A,Violet	
6	SA 9879-10400	1				Fuse .....	Fusible .....	Schmelzsicherg.....	휴즈 .....	Fusible.....	40A,Green	
7	SA 9879-10600	1				Fuse .....	Fusible .....	Schmelzsicherg.....	휴즈 .....	Fusible.....	60A,Orange	

1	8278071	<b>Kit recambios</b> 스페어 파트 <b>Ersatzteilsatz</b> <b>Kit pièce de rechange</b> <b>Spare parts kit</b>	Catalogue id	Group
2			<b>56141</b>	<b>896</b>
3			Illustr. No	Section
4			<b>TA195</b>	<b>200</b>
5			Issue	Page
		<b>VOE 7414356141</b>	<b>355</b>	

**VOLVO**

**EC210B**

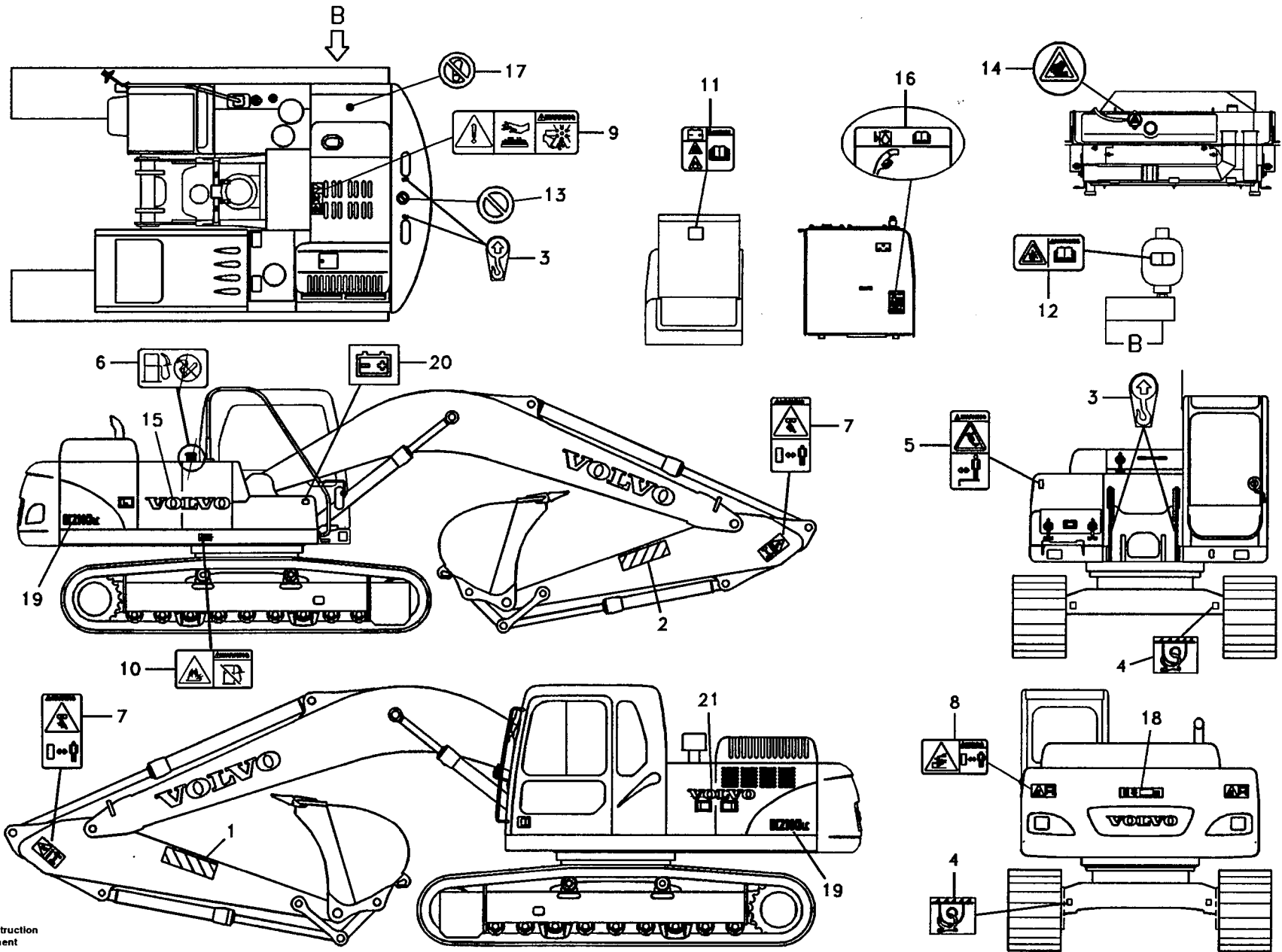


Fig.	Part No.	Quantity					P S	K I T	Description	Dénomination	Bezeichnung	품명	Denominación	Notes
		1	2	3	4	5								
1	SA 1192-01640	1	1	1	1			K Decal.....	Decalcomanie.....	Abziehbild .....	데칼 .....	Decalcomania.....		
2	SA 1192-01650	1	1	1	1			K Decal.....	Decalcomanie.....	Abziehbild .....	데칼 .....	Decalcomania.....		
3	SA 1192-02820	4	4	4	4			K Decal.....	Decalcomanie.....	Abziehbild .....	데칼 .....	Decalcomania.....		
4	SA 1192-02830	4	4	4	4			K Decal.....	Decalcomanie.....	Abziehbild .....	데칼 .....	Decalcomania.....		
5	SA 1192-03590	1	1	1	1			K Decal.....	Decalcomanie.....	Abziehbild .....	데칼 .....	Decalcomania.....		
6	SA 1192-03620	1	1	1	1			K Decal.....	Decalcomanie.....	Abziehbild .....	데칼 .....	Decalcomania.....		
7	VOE 14515581	2	2	2	2			K Decal.....	Decalcomanie.....	Abziehbild .....	데칼 .....	Decalcomania.....		
8	SA 1192-03700	2	2	2	2			K Decal.....	Decalcomanie.....	Abziehbild .....	데칼 .....	Decalcomania.....		
9	SA 1192-03730	1	1	1	1			K Decal.....	Decalcomanie.....	Abziehbild .....	데칼 .....	Decalcomania.....		
10	SA 1192-03750	1	1	1	1			K Decal.....	Decalcomanie.....	Abziehbild .....	데칼 .....	Decalcomania.....		
11	SA 1192-03820	1	1	1	1			K Decal.....	Decalcomanie.....	Abziehbild .....	데칼 .....	Decalcomania.....		
12	SA 1192-04690	1	1	1	1			K Decal.....	Decalcomanie.....	Abziehbild .....	데칼 .....	Decalcomania.....		
13	SA 1192-05050	1	1	1	1			K Decal.....	Decalcomanie.....	Abziehbild .....	데칼 .....	Decalcomania.....		
14	SA 1192-05070	1	1	1	1			K Decal.....	Decalcomanie.....	Abziehbild .....	데칼 .....	Decalcomania.....		
15	VOE 14511599	1	1	1	1			K Decal.....	Decalcomanie.....	Abziehbild .....	데칼 .....	Decalcomania.....		
16	VOE 14509713	1	1	1	1			K Decal.....	Decalcomanie.....	Abziehbild .....	데칼 .....	Decalcomania.....		
17	VOE 14512078	1	1	1	1			K Decal.....	Decalcomanie.....	Abziehbild .....	데칼 .....	Decalcomania.....		
18	SA 1192-00530	1						K Decal.....	Decalcomanie.....	Abziehbild .....	데칼 .....	Decalcomania.....		
19	VOE 14513236	2	2	2	2			K Decal.....	Decalcomanie.....	Abziehbild .....	데칼 .....	Decalcomania.....		
20	VOE 14511914	1	1	1	1			K Decal.....	Decalcomanie.....	Abziehbild .....	데칼 .....	Decalcomania.....		
21	VOE 14511973	1	1	1	1			K Decal.....	Decalcomanie.....	Abziehbild .....	데칼 .....	Decalcomania.....		
100	VOE 14517408	1						Decal Set .....	Lot d'autocollants ...	Aufklebersatz .....	데칼 셋 .....	Kit Calcomania.....		
	VOE 14517419		1	1	1			Decal Set .....	Lot d'autocollants ...	Aufklebersatz .....	데칼 셋 .....	Kit Calcomania.....		

1	8277907 Korea	<b>Pegatina, ubicación exterior</b> 데칼 , 외부 <b>Aufkleber, aussen</b> <b>Autocollant, extérieur</b> <b>Decal, outer location</b>	Catalogue id	Group
2	8277908 USA		<b>56141</b>	<b>897</b>
3	8277909 Int.		Illustr. No	Section
4	8277910 Europe		<b>TA196</b>	<b>100</b>
5			Issue	Page
		<b>VOE 7414356141</b>	<b>357</b>	

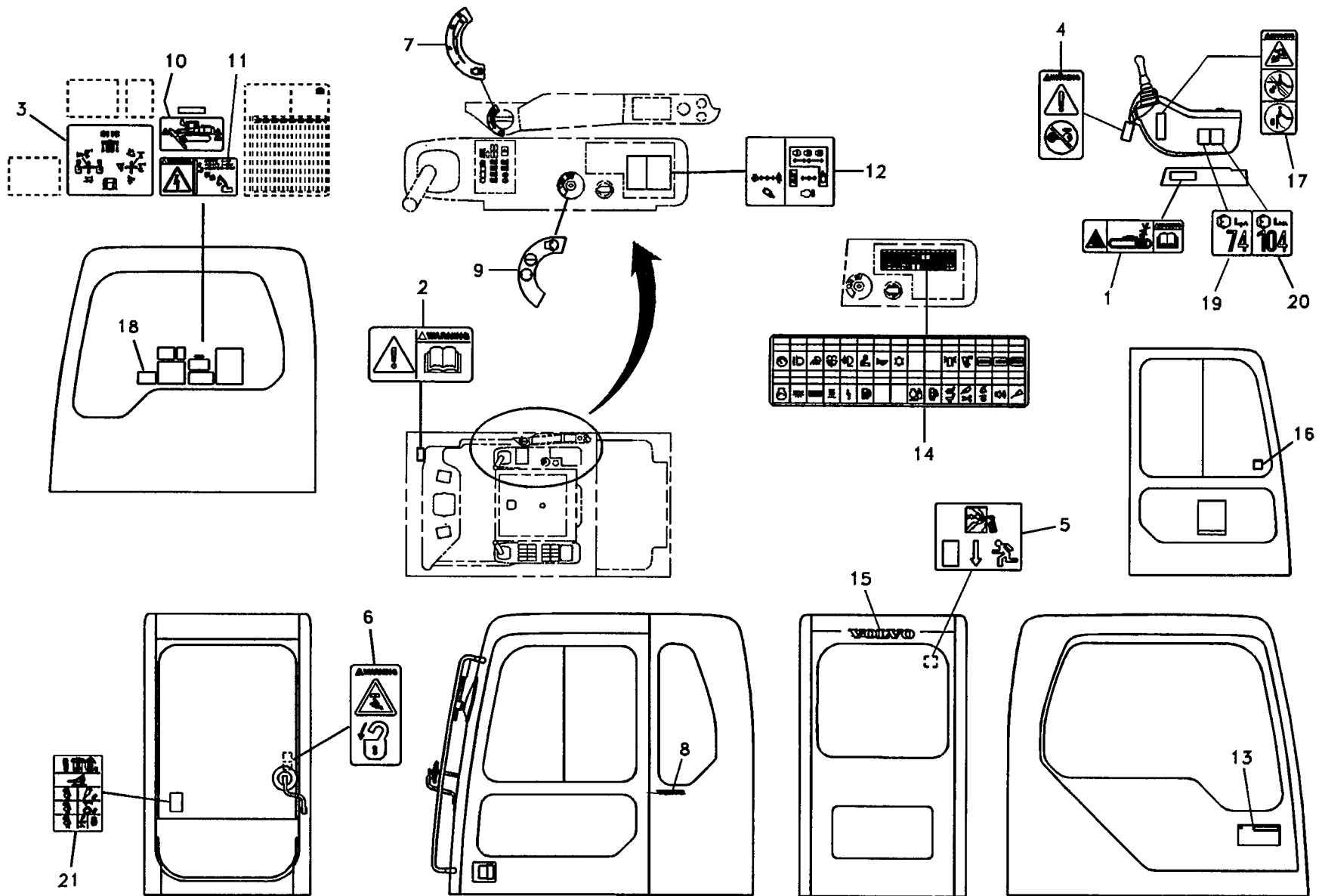


Fig.	Part No.	Quantity					P S	K I T	Description	Dénomination	Bezeichnung	품명	Denominación	Notes
		1	2	3	4	5								
1	SA 1192-02910	1	1	1	1			K Decal.....	Decalcomanie.....	Abziehbild .....	데칼 .....	Decalcomania.....		
2	SA 1192-03630	1	1	1	1			K Decal.....	Decalcomanie.....	Abziehbild .....	데칼 .....	Decalcomania.....		
3	SA 1192-03740	1	1	1	1			K Decal.....	Decalcomanie.....	Abziehbild .....	데칼 .....	Decalcomania.....		
4	SA 1192-03760	1	1	1	1			K Decal.....	Decalcomanie.....	Abziehbild .....	데칼 .....	Decalcomania.....		
5	SA 1192-05180	1	1	1	1			K Decal.....	Decalcomanie.....	Abziehbild .....	데칼 .....	Decalcomania.....		
6	SA 1192-30720	1	1	1	1			K Decal.....	Decalcomanie.....	Abziehbild .....	데칼 .....	Decalcomania.....		
7	VOE 14502014	1	1	1	1			K Decal.....	Decalcomanie.....	Abziehbild .....	데칼 .....	Decalcomania.....		
8	VOE 14509610	1	1	1	1			K Decal.....	Decalcomanie.....	Abziehbild .....	데칼 .....	Decalcomania.....		
9	VOE 14509700	1	1	1	1			K Decal.....	Decalcomanie.....	Abziehbild .....	데칼 .....	Decalcomania.....		
10	VOE 14509711	1	1	1	1			K Decal.....	Decalcomanie.....	Abziehbild .....	데칼 .....	Decalcomania.....		
11	VOE 14509712	1	1	1	1			K Decal.....	Decalcomanie.....	Abziehbild .....	데칼 .....	Decalcomania.....		
12	VOE 14515601	1	1	1	1			K Decal.....	Decalcomanie.....	Abziehbild .....	데칼 .....	Decalcomania.....		
13	VOE 14513261	1	1	1	1			K Decal.....	Decalcomanie.....	Abziehbild .....	데칼 .....	Decalcomania.....		
14	VOE 14515594	1	1	1	1			K Decal.....	Decalcomanie.....	Abziehbild .....	데칼 .....	Decalcomania.....		
15	VOE 14515596	1	1	1	1			K Decal.....	Decalcomanie.....	Abziehbild .....	데칼 .....	Decalcomania.....		
16	VOE 14512733	1	1	1	1			K Decal.....	Decalcomanie.....	Abziehbild .....	데칼 .....	Decalcomania.....		
17	VOE 14515595	1	1	1	1			K Decal.....	Decalcomanie.....	Abziehbild .....	데칼 .....	Decalcomania.....		
18	VOE 14517405	1						K Decal.....	Decalcomanie.....	Abziehbild .....	데칼 .....	Decalcomania.....		
19	VOE 14880218				1			Decal.....	Decalcomanie.....	Abziehbild .....	데칼 .....	Decalcomania.....		
20	VOE 14880200				1			Decal.....	Decalcomanie.....	Abziehbild .....	데칼 .....	Decalcomania.....		
21	VOE 14514815					1		Decal.....	Decalcomanie.....	Abziehbild .....	데칼 .....	Decalcomania.....		
100	VOE 14517408	1						Decal Set .....	Lot d'autocollants ...	Aufklebersatz .....	데칼 셋 .....	Kit Calcomania.....		
	VOE 14517419		1	1	1			Decal Set .....	Lot d'autocollants ...	Aufklebersatz .....	데칼 셋 .....	Kit Calcomania.....		

1	8277907 Korea	<b>Pegatina, ubicación interior</b> 데칼 , 내부 <b>Aufkleber, innen</b> <b>Autocollant, intérieur</b> <b>Decal, inner location</b>	Catalogue id	Group
2	8277908 USA		<b>56141</b>	<b>897</b>
3	8277909 Int.		Illustr. No	Section
4	8277910 Europe		<b>TA197</b>	<b>200</b>
5	8278547		Issue	Page
			<b>VOE 7414356141</b>	<b>359</b>



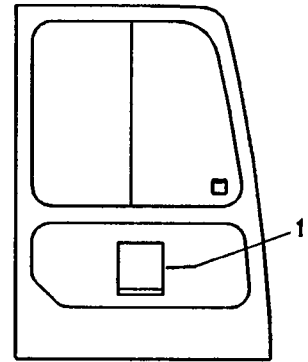
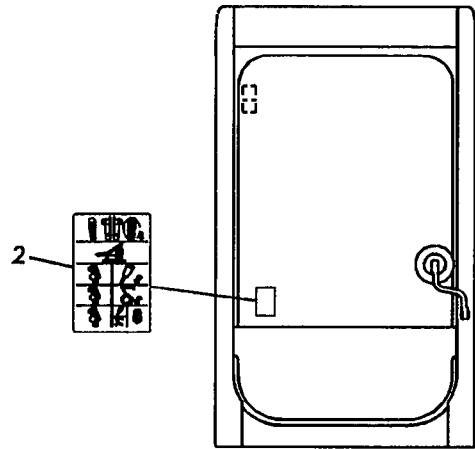


Fig.	Part No.	Quantity					P S	K I T	Description	Dénomination	Bezeichnung	품명	Denominación	Notes
		1	2	3	4	5								
1	VOE 14517407	1	1					Decal.....	Decalcomanie.....	Abziehbild .....	데칼 .....	Decalcomania.....		
	VOE 14517406			1		1		Decal.....	Decalcomanie.....	Abziehbild .....	데칼 .....	Decalcomania.....		
2	VOE 14514814				1			Decal.....	Decalcomanie.....	Abziehbild .....	데칼 .....	Decalcomania.....		

1	8277825	<b>Pegatina, ubicación interior</b> 데칼 , 내부 <b>Aufkleber, innen</b> <b>Autocollant, intérieur</b> <b>Decal, inner location</b>	Catalogue id	Group
2	8277826		<b>56141</b>	<b>897</b>
3	8277828		Illustr. No	Section
4	8277880		<b>TA198</b>	<b>300</b>
5	8278176		Issue	Page
			<b>VOE 7414356141</b>	<b>361</b>

**VOLVO**

**EC210B**

**VOLVO**

**Volvo Construction  
Equipment**

GROUP		Section	Page	GROUP		Section	Page
911	Hydraulic oiltank.....	100	375	914	Servo system, remote control valve .....	1300	477
911	Turning joint line, control valve to turning joint.....	200	379	914	Servo system, hammer and shear .....	2100	481
911	Turning joint line, turning joint to travel motor .....	300	381	914	Servo system, hammer and shear .....	2200	483
911	Hydraulic system, control valve to boom and swing .....	400	383	914	Servo system, hammer and shear .....	2300	485
911	Hydraulic system, hydraulic tank to hydraulic oil cooler.....	500	385	916	Working hydraulic, dipper arm cylinder on boom.....	100	487
911	Hydraulic system, hydraulic tank to hydraulic pump .....	600	389	916	Working hydraulic, boom rupture .....	300	491
912	Control valve with fitting parts .....	100	391	916	Working hydraulic, dipper arm cylinder on long boom .....	400	493
912	Main control valve, relife valve and boom holding .....	200	393	916	Working hydraulic, dipper arm cylinder on adjustable boom.....	500	497
912	Main control valve, boom and bucket and travel Rh .....	300	397	916	Working hydraulic, 2nd boom cylinder on adjustable boom.....	600	501
912	Main control valve, swing and option and dipper arm and travel Lh ..	400	401	916	Working hydraulic, adjustable boom for upper.....	700	505
912	Main control valve, relief valve and dipper arm holding .....	500	405	916	Working hydraulic, hydraulic plugs for no boom .....	800	509
912	Main control valve, relife valve and boom holding .....	600	409	916	Working hydraulic, boom cylinder .....	900	511
912	Main control valve, boom and bucket and travel Rh .....	700	413	916	Working hydraulic, bucket cylinder on dipper arm .....	1000	513
912	Main control valve, swing and option and dipper arm and travel Lh ..	800	417	916	Working hydraulic, dipper arm rupture .....	1200	515
912	Main control valve, relief valve and dipper arm holding .....	900	421	916	Working hydraulic, bucket cylinder on long dipper arm.....	1300	517
912	Working hydraulic, boom rupture valve mount.....	2000	425	916	Working hydraulic, hydraulic plugs for no dipper arm .....	1400	519
912	Working hydraulic, dipper arm rupture valve mount. ....	2100	427	916	Working hydraulic, dipper arm rupture for adjustable boom .....	1500	521
913	Pump installation.....	100	429	916	Working hydraulic, hammer and shear for boom .....	2000	523
913	Hydraulic pump .....	200	431	916	Working hydraulic, hammer and shear for dipper arm .....	2100	525
913	Regulator, hydraulic pump .....	300	437	916	Working hydraulic, hammer and shear for upper .....	2200	527
913	Hydraulic gear pump .....	400	441	916	Working hydraulic, hammer and shear for return filter .....	2300	529
914	Servo system, control valve to remote control valve.....	100	443	916	Working hydraulic, hammer and shear for 1st pump flow .....	2400	531
914	Servo system, control valve to remote control valve pedal .....	200	447	916	Working hydraulic, hammer and shear for 2nd pump flow.....	2600	535
914	Servo system, control valve to solenoid valve .....	300	449	916	Working hydraulic, hammer and shear for adjustable boom.....	2800	539
914	Servo system, control valve piping. ....	400	453	916	Working hydraulic, oil leak on boom .....	3000	541
914	Servo system, pump piping and filter mount.....	500	457	916	Working Hydraulic, Oil Leak On Upper Frame.....	3100	543
914	Remote control valve pedal with fitting parts .....	700	461	916	Working hydraulic, oil leak on adjustable boom .....	3200	545
914	Remote control valve pedal, travel motor .....	800	463	916	Working hydraulic, clamshell.....	4000	547
914	Servo system, solenoid valve .....	900	467	916	Working hydraulic, remote control valve pedal for adjustable boom	7000	551
914	Servo system, remote control valve .....	1100	469	916	Working hydraulic, remote control valve pedal for hammer and shear	7100	553
914	Servo system, remote control valve .....	1200	473	916	Working hydraulic, adjustable boom control valve .....	7200	555

INDEX OF CONTENTS

Catalogue id <b>56141</b>	Group <b>900</b>
Issue <b>VOE 7414356141</b>	Page <b>363</b>

## INDEX OF CONTENTS

Catalogue id <b>56141</b>	Group <b>900</b>
Issue <b>VOE 7414356141</b>	Page <b>364</b>

GROUP	Section	Page	GROUP	Section	Page		
916	Working hydraulic, solenoid valve.....	7300	559	975	Links to dipper arm, long reach.....	300	627
924	Attachment bracket, quickfit.....	100	561	975	Dipper arm and grease piping with piping seat.....	500	629
924	Working hydraulic, quick fit on upper frame.....	200	565	975	Dipper arm and grease piping with piping seat.....	600	633
924	Working hydraulic, quick fit on boom.....	400	567	975	Dipper arm and grease piping with piping seat, long reach.....	800	637
924	Working hydraulic, quickfit on adjustable boom.....	500	569	975	Dipper arm cylinder.....	1500	639
924	Working hydraulic, quick fit on dipper arm.....	700	571	975	Dipper arm cylinder, long reach.....	1600	643
924	Working hydraulic, slope and rotator on upper frame.....	1000	573	975	Links to connecting rod.....	1900	647
924	Working hydraulic, slope and rotator on boom.....	1100	575	975	Bucket cylinder.....	2500	649
924	Working hydraulic, slope and rotator on adjustable boom.....	1200	577	975	Bucket cylinder, long reach.....	2700	653
924	Working hydraulic, slope and rotator on dipper arm.....	1600	579	992	Antitheft system.....	100	657
924	Hydraulic gear pump for quickfit and rotator.....	2000	581				
924	Quick fit cylinder.....	3000	583				
924	Quick fit valve.....	3100	585				
925	Bucket.....	100	587				
925	Bucket.....	200	589				
925	Bucket.....	500	591				
925	Buckets for Quickfit.....	1000	593				
925	Buckets for long reach.....	1200	595				
925	Linkage for no bucket.....	1500	597				
974	Links to boom.....	100	599				
974	Boom and grease piping.....	300	601				
974	Links to boom, adjustable.....	1000	603				
974	Boom and grease piping, adjustable 1st.....	1200	605				
974	Boom and grease piping, adjustable 2nd.....	1300	607				
974	Links to boom, long reach.....	2000	609				
974	Boom and grease piping, long reach.....	2100	611				
974	Links to no boom.....	2500	613				
974	Boom cylinder.....	3000	615				
974	Boom cylinder, adjustable 2nd.....	3400	619				
975	Links to dipper arm.....	100	623				
975	Links to dipper arm.....	200	625				

GROUPE	Section	Page	GROUPE	Section	Page	
911	Réservoir d'huile hydraulique.....	100	375	914	Système servo, tubage vers pompe et montage filtre à huile ..... 500 457	
911	Articulation de rotation, valve de commande vers articulation de rotation .....	200	379	914	Pédale valve cde télécommandée avec pièces montage ..... 700 461	
911	Articulation de rotation, articulation de rotation vers moteur de conduite .....	300	381	914	V. commande vers pédale de v. commande télécommandée, moteur conduit .....	800 463
911	Système hydraulique, valve de commande flèche et pivotement .....	400	383	914	Système servo, valve de solénoïde .....	900 467
911	Syst. hydr. rés. hydr vers refroidisseur huile hydraulique .....	500	385	914	Système servo, valve de commande télécommandée.....	1100 469
911	Syst. hydr. rés. hydraulique vers pompe hydraulique .....	600	389	914	Système servo, valve de commande télécommandée.....	1200 473
912	Valve de commande avec pièces de montage .....	100	391	914	Système servo, valve de commande télécommandée.....	1300 477
912	Valve de commande principale, détendeur et fixation de flèche.....	200	393	914	Système servo, marteau et ciseaux .....	2100 481
912	Valve de commande principale, flèche et godet et conduite Rh .....	300	397	914	Système servo, marteau et ciseaux .....	2200 483
912	Valve commande principale, pivotement, accessoire, bras et conduite Lh .....	400	401	914	Système servo, marteau et ciseaux .....	2300 485
912	Valve cde principale, détendeur et fixation balancier.....	500	405	916	Hydraulique de travail, cylindre de bras sur flèche .....	100 487
912	Valve de commande principale, détendeur et fixation de flèche.....	600	409	916	Hydraulique de travail, coupure flèche.....	300 491
912	Valve de commande principale, flèche et godet et conduite Rh .....	700	413	916	Hydraulique de travail, cylindre de bras sur flèche longue.....	400 493
912	Valve commande principale, pivotement, accessoire, bras et conduite Lh .....	800	417	916	Hydraulique de travail, cylindre de bras sur réglable flèche.....	500 497
912	Valve cde principale, détendeur et fixation balancier.....	900	421	916	Hydraulique de travail, deuxième cylindre de flèche sur réglable flèche.....	600 501
912	Hydraulique de travail, coupure flèche et montage de soupape. ....	2000	425	916	Hydraulique de travail, flèche réglable supérieurs .....	700 505
912	Hydraulique de travail, calpet de securite en bras et montage de soupape. ....	2100	427	916	Hydraulique de travail, bouchon pour sans flèche .....	800 509
913	Installation de pompe .....	100	429	916	Hydraulique de travail, cylindre de flèche .....	900 511
913	Pompe hydraulique .....	200	431	916	Hydraulique de travail, verin de godet sur braz.....	1000 513
913	Régulateur, pompe hydraulique.....	300	437	916	Hydraulique de travail, coupure bras .....	1200 515
913	Pompe à engrenages hydraulique .....	400	441	916	Hydraulique de travail, verin de godet sur braz longue.....	1300 517
914	Système servo, valve commande vers valve commande a distance. 100	443		916	Hydraulique de travail, bouchon pour sans brazo.....	1400 519
914	Système servo, valve commande vers valve pedale commande a distance.....	200	447	916	Hydraulique de travail, calpet de securite sur réglable flèche .....	1500 521
914	Système servo, valve de commande vers valve de solénoïde .....	300	449	916	Hydraulique de travail, marteau et ciseaux pour flèche .....	2000 523
914	Système servo, tubage vers valve commande .....	400	453	916	Hydraulique de travail, marteau et ciseaux pour bras.....	2100 525
				916	Hydraulique de travail, marteau et ciseaux supérieurs .....	2200 527
				916	Hydraulique de travail, marteau et ciseaux pour filtre de retour.....	2300 529
				916	Hydraulique de travail, marteau et ciseaux pour 1er débit de pompe.....	2400 531
				916	Hydraulique de travail, marteau et ciseaux pour 2nd débit de pompe.....	2600 535

**TABLE DES MATIÈRES**

Catalogue id <b>56141</b>	Group <b>900</b>
Issue <b>VOE 7414356141</b>	Page <b>365</b>

<b>TABLE DES MATIÈRES</b>		Catalogue id <b>56141</b>	Group <b>900</b>
		Issue <b>VOE 7414356141</b>	Page <b>366</b>

GROUPE		Section	Page	GROUPE		Section	Page
916	Hydraulique de travail, marteau et ciseaux pour flèche réglable .....	2800	539	974	Flèche et tuyauterie de lubrification, réglable 2nd.....	1300	607
916	Hydraulique de travail, conduit fuite sur flèche .....	3000	541	974	Articulations vers flèche, étendue longue .....	2000	609
916	Hydraulique de travail, conduit fuite sur châssis supérieur.....	3100	543	974	Flèche et conduit de graissage, étendue longue .....	2100	611
916	Hydraulique de travail, conduit fuite sur réglable flèche .....	3200	545	974	Articulations de flèche, sans flèche.....	2500	613
916	Hydraulique de travail, benne preneuse .....	4000	547	974	Vérin de flèche .....	3000	615
916	Hydr de travail, pédale v cde télécom. flèche réglable .....	7000	551	974	Verin de flèche, réglable deuxième.....	3400	619
916	Hydr de travail, pédale v cde télécom. marteau et cisaille .....	7100	553	975	Articulations de balancier .....	100	623
916	Hydraulique de travail, flèche réglable, valve controle.....	7200	555	975	Articulations de balancier .....	200	625
916	Hydraulique de travail, soupape de solenoide .....	7300	559	975	Articulations vers bras, étendue longue .....	300	627
924	Fixation, raccord rapide .....	100	561	975	Balancier et tuyauterie de lubr avec siège de tuyau .....	500	629
924	Hydraulique de travail, fixation rapide sur châssis supérieur.....	200	565	975	Balancier et tuyauterie de lubr avec siège de tuyau .....	600	633
924	Hydraulique de travail, fixation rapide sur flèche .....	400	567	975	Flèche et conduit de graissage avec conduite de siege, étendue longue .....	800	637
924	Hydraulique de travail, fixation rapide sur réglable flèche .....	500	569	975	Vérin de bras .....	1500	639
924	Hydraulique de travail, fixation rapide sur bras.....	700	571	975	Vérin de bras pour étendue longue.....	1600	643
924	Hydraulique de travail, pente et rotator sur châssis supérieur.....	1000	573	975	Articulations joindre vers tige piston.....	1900	647
924	Hydraulique de travail, pente et rotator sur flèche .....	1100	575	975	Vérin de godet.....	2500	649
924	Hydraulique de travail, pente et rotator sur réglable flèche .....	1200	577	975	Verin godet, étendue longue .....	2700	653
924	Hydraulique de travail, pente et rotator sur bras.....	1600	579	992	Système antivol.....	100	657
924	Pompe à engrenages hydr pour raccord rapide et rotator .....	2000	581				
924	Verin, fixation rapide .....	3000	583				
924	Soupape de fixation rapide .....	3100	585				
925	Godet .....	100	587				
925	Godet .....	200	589				
925	Godet .....	500	591				
925	Godet pour Raccords rapides .....	1000	593				
925	Godets pour étendue longue .....	1200	595				
925	Articulation pour sans Godet.....	1500	597				
974	Articulations vers flèche .....	100	599				
974	Flèche et conduit de graissage .....	300	601				
974	Articulations de flèche, réglable .....	1000	603				
974	Flèche et tuyauterie de lubrification, réglable 1er .....	1200	605				

GRUPPE	Abschnitt	Seite	GRUPPE	Abschnitt	Seite		
911	Hydrauliköltank .....	100	375	914	Servosystem, Vorsteuergerät.....	1300	477
911	Drehgelenkleitung, Steuerventil zu Drehgelenk.....	200	379	914	Servosystem, Hammer und Schere .....	2100	481
911	Drehgelenkleitung, Steuerventil zu Fahrmotor.....	300	381	914	Servosystem, Hammer und Schere .....	2200	483
911	Hydraulikanlage, Steuerventil für Ausleger und Schwenken .....	400	383	914	Servosystem, Hammer und Schere .....	2300	485
911	Hydraulikanlage, von Hydrauliktank zu Ölkühler .....	500	385	916	Arbeitshydraulik, Stielzylinder auf Ausleger .....	100	487
911	Hydraulikanlage, von Hydrauliktank zu Hydraulikpumpe .....	600	389	916	Arbeitshydraulik, Leitungsbruchventil Ausleger .....	300	491
912	Steuerventil mit Anbauteilen .....	100	391	916	Arbeitshydraulik, Stielzylinder auf langes Ausleger .....	400	493
912	Steuerventilblock, Überdruckventil und Auslegerhalter .....	200	393	916	Arbeitshydraulik, Stielzylinder auf Verstellausleger .....	500	497
912	Steuerventilblock, Ausleger, Schaufel und Fahren rechts .....	300	397	916	Arbeitshydraulik, zweite Auslegerzylinder auf Verstellausleger .....	600	501
912	Steuerventilblock, Schwenken, Option, Stiel und Fahren links.....	400	401	916	Arbeitshydraulik, stellbarer Ausleger für oberen .....	700	505
912	Steuerventilblock, überdruckventil und Stielhalter .....	500	405	916	Arbeitshydraulik, Zapfen für ohne Ausleger .....	800	509
912	Steuerventilblock, Überdruckventil und Auslegerhalter .....	600	409	916	Arbeitshydraulik, Auslegerzylinder .....	900	511
912	Steuerventilblock, Ausleger, Schaufel und Fahren rechts .....	700	413	916	Arbeitshydraulik, Löffelzylinder auf Stiel .....	1000	513
912	Steuerventilblock, Schwenken, Option, Stiel und Fahren links.....	800	417	916	Arbeitshydraulik, Leitungsbruchventil Stiel.....	1200	515
912	Steuerventilblock, überdruckventil und Stielhalter .....	900	421	916	Arbeitshydraulik, Löffelzylinder auf langes Stiel.....	1300	517
912	Arbeitshydraulik, Leitungsbruchventil Ausleger und Ventil montage.2000	425	425	916	Arbeitshydraulik, Zapfen für ohne Stiel .....	1400	519
912	Arbeitshydraulik, Leitungsbruchventil Stiel und Ventil montage. ....	2100	427	916	Arbeitshydraulik, Leitungsbruchventil auf Verstellausleger .....	1500	521
913	Pumpeninstallation.....	100	429	916	Arbeitshydraulik, Hammer und Schere für Ausl .....	2000	523
913	Hydraulikpumpe .....	200	431	916	Arbeitshydraulik, Hammer und Schere für Stie .....	2100	525
913	Regler, Hydraulikpumpe .....	300	437	916	Arbeitshydraulik, Hammer und Schere für oberen .....	2200	527
913	Hydraulische Zahnradpumpe .....	400	441	916	Arbeitshydraulik, Hammer und Schere für Rücklauffilter .....	2300	529
914	Servosystem, Steuerventil zu Vorsteuergerät.....	100	443	916	Arbeitshydraulik, Hammer und Schere für 1. Pumpenstrom.....	2400	531
914	Servosystem, Steuerventil zu Pedal für Fernbetätigungsventil.....	200	447	916	Arbeitshydraulik, Hammer und Schere für 2. Pumpenstrom.....	2600	535
914	Servosystem. Steuerventil zu Magnetventil .....	300	449	916	Arbeitshydraulik, Hammer und Schere für stellbaren Ausleger .....	2800	539
914	Servosystem, Rohranschluss zu Steuerventil.....	400	453	916	Arbeitshydraulik, Leckölleitung auf Ausleger .....	3000	541
914	Servosystem, Rohranschluss zu Pumpe und montage Ölfilter .....	500	457	916	Arbeitshydraulik, Leckölleitung auf obere Rahmen.....	3100	543
914	Vorsteuergerät Pedal mit Anbauteilen .....	700	461	916	Arbeitshydraulik, Leckölleitung auf Verstellausleger .....	3200	545
914	steuerventil zu Vorsteuergerät Pedal, Fahrmotor .....	800	463	916	Arbeitshydraulik, Greifer .....	4000	547
914	Servosystem, Magnetventil.....	900	467	916	Arbeitshydraulik, Vorsteuergerät Pedal für stellbaren Ausleger.....	7000	551
914	Servosystem, Vorsteuergerät .....	1100	469	916	Arbeitshydraulik, Vorsteuergerät Pedal für Hammer und Schere ....	7100	553
914	Servosystem, Vorsteuergerät .....	1200	473	916	Arbeitshydraulik, stellbarer Ausleger, Steurventil.....	7200	555

**INHALTSVERZEICHNIS**

Catalogue id <b>56141</b>	Group <b>900</b>
Issue <b>VOE 7414356141</b>	Page <b>367</b>



<b>INHALTSVERZEICHNIS</b>				Catalogue id <b>56141</b>	Group <b>900</b>
				Issue <b>VOE 7414356141</b>	Page <b>368</b>
GRUPPE	Abschnitt	Seite	GRUPPE	Abschnitt	Seite

916 Arbeitshydraulik, Solenoidventil .....	7300	559	975 Gelenke zu Stiel, lang Ausladung .....	300	627
924 Geräteträger, Schnellwechsler .....	100	561	975 Stiel und Schmierleitungen mit Sitz .....	500	629
924 Arbeitshydraulik, Schnellwechsler auf obere Rahmen .....	200	565	975 Stiel und Schmierleitungen mit Sitz .....	600	633
924 Arbeitshydraulik, Schnellwechsler auf Ausleger .....	400	567	975 Ausleger und Schmierleitungen mit Leitungssitz, lang Ausladung .....	800	637
924 Arbeitshydraulik, Schnellwechsler auf Verstellausleger .....	500	569	975 Stielzylinder .....	1500	639
924 Arbeitshydraulik, Schnellwechsler auf Stiel .....	700	571	975 Stielzylinder für lang Ausladung .....	1600	643
924 Arbeitshydraulik, Bösch. und Rotator auf obere Rahmen .....	1000	573	975 Gelenke zu anschliessend Kolbenstange .....	1900	647
924 Arbeitshydraulik, Bösch. und Rotator auf Ausleger .....	1100	575	975 Schaufelzylinder .....	2500	649
924 Arbeitshydraulik, Bösch. und Rotator auf Verstellausleger .....	1200	577	975 Löffelzylinder, lang Ausladung .....	2700	653
924 Arbeitshydraulik, Bösch. und Rotator auf Stiel .....	1600	579	992 Diebstahlschutz .....	100	657
924 Hydraulikpumpe für Schnellwechsler und Rotator .....	2000	581			
924 Schnellwechslerzylinder .....	3000	583			
924 Schnellwechslerventil .....	3100	585			
925 Schaufel .....	100	587			
925 Schaufel .....	200	589			
925 Schaufel .....	500	591			
925 Schaufeln für Schnellwechsler .....	1000	593			
925 Löffeln für lang Ausladung .....	1200	595			
925 Gestänge für ohne Löffel .....	1500	597			
974 Gelenke zu Ausleger .....	100	599			
974 Ausleger und Schmierleitungen .....	300	601			
974 Verbindungen zu stellbarem Ausleger .....	1000	603			
974 Ausleger und Schmierleitungen, stellbarem 1. ....	1200	605			
974 Ausleger und Schmierleitungen, stellbarem 2. ....	1300	607			
974 Gelenke zu Ausleger, lang Ausladung .....	2000	609			
974 Ausleger und Schmierleitungen, lang Ausladung .....	2100	611			
974 Verbindungen zu Ausleger, ohne Ausleger .....	2500	613			
974 Auslegerzylinder .....	3000	615			
974 Auslegerzylinder, stellbar 2 .....	3400	619			
975 Verbindungen zu Stiel .....	100	623			
975 Verbindungen zu Stiel .....	200	625			

그룹	소분류	쪽번호	그룹	소분류	쪽번호		
911	유압 탱크	100	375	914	서보 배관, 원격조종밸브	1300	477
911	터닝조인트 배관, 제어밸브 에서 터닝조인트	200	379	914	서보 배관, 해머 및 시어	2100	481
911	터닝조인트 배관, 터닝조인트에서 주행모터	300	381	914	서보 배관, 해머 및 시어	2200	483
911	유압 배관, 제어 밸브에서 붐 및 선회	400	383	914	서보 배관, 해머 및 시어	2300	485
911	유압 배관, 유압 탱크에서 오일 콜러	500	385	916	유압 배관, 붐측 디퍼 암 실린더	100	487
911	유압 배관, 유압 탱크에서 펌프	600	389	916	낙하 방지 장치 배관, 붐	300	491
912	제어밸브 및 장착 부품	100	391	916	유압 배관, 롱 붐측 디퍼 암 실린더	400	493
912	제어밸브, 릴리프 밸브 및 붐 홀딩	200	393	916	유압 배관, 조절 붐측 디퍼 암 실린더	500	497
912	제어밸브, 붐 및 버킷 및 우측 주행 모터	300	397	916	유압 배관, 조절 붐측 2 단 붐 실린더	600	501
912	제어밸브, 선회 및 선택 및 디퍼 암 및 좌측 주행 모터	400	401	916	유압 배관, 조절 붐 상부	700	505
912	제어밸브, 릴리프 밸브; 디퍼 암 홀딩	500	405	916	유압 배관, 붐 미장착시 유압 플러그	800	509
912	제어밸브, 릴리프 밸브 및 붐 홀딩	600	409	916	유압 배관, 붐 실린더	900	511
912	제어밸브, 붐 및 버킷 및 우측 주행 모터	700	413	916	유압 배관, 디퍼 암측 버킷 실린더	1000	513
912	제어밸브, 선회 및 선택 및 디퍼 암 및 좌측 주행 모터	800	417	916	낙하 방지 장치 배관, 디퍼 암	1200	515
912	제어밸브, 릴리프 밸브; 디퍼 암 홀딩	900	421	916	유압 배관, 롱 디퍼 암측 버킷 실린더	1300	517
912	유압배관, 붐 낙하방지장치 밸브 장착	2000	425	916	유압 배관, 디퍼 암 미장착시 유압 플러그	1400	519
912	유압 배관, 디퍼 암 낙하 방지장치 밸브 장착	2100	427	916	유압 배관, 조절 붐의 디퍼 암 낙하 방지 장치	1500	521
913	유압 펌프 및 장착 부품	100	429	916	해머 및 시어 배관, 붐	2000	523
913	유압 펌프	200	431	916	해머 및 시어 배관, 디퍼 암	2100	525
913	유압 펌프 레귤레이터	300	437	916	해머 및 시어 배관, 상부	2200	527
913	기어 펌프	400	441	916	해머 및 시어 배관, 리턴 필터	2300	529
914	서보 배관, 제어밸브 에서 원격조종밸브	100	443	916	해머 및 시어 배관, 1 련 펌프 배관	2400	531
914	서보 배관, 제어밸브 에서 원격조종밸브 페달	200	447	916	해머 및 시어 배관, 2 련 펌프 배관	2600	535
914	서보 배관, 제어밸브 에서 솔레노이드 밸브	300	449	916	해머 및 시어 배관, 조절 붐	2800	539
914	서보 배관, 제어 밸브 배관	400	453	916	유압 배관, 붐측 오일 배관	3000	541
914	서보 배관, 펌프 배관 및 필터 장착	500	457	916	유압 배관, 상부 프레임측 오일 배관	3100	543
914	원격조종밸브 페달 및 장착부품	700	461	916	유압 배관, 조절 붐측 오일 배관	3200	545
914	주행모터 원격조종밸브 페달	800	463	916	클램셸 배관	4000	547
914	서보 배관, 솔레노이드 밸브	900	467	916	원격조종밸브 페달, 조절 붐	7000	551
914	서보 배관, 원격조종밸브	1100	469	916	원격조종밸브 페달, 해머 및 시어	7100	553
914	서보 배관, 원격조종밸브	1200	473	916	제어밸브, 조절 붐	7200	555

목차

Catalogue id	Group
<b>56141</b>	<b>900</b>
Issue	Page
<b>VOE 7414356141</b>	<b>369</b>

목차		Catalogue id <b>56141</b>	Group <b>900</b>
		Issue <b>VOE 7414356141</b>	Page <b>370</b>
그룹	소분류 쪽번호	그룹	소분류 쪽번호

916 유압 배관, 솔레노이드 밸브 .....	7300	559	975 롱 리치 디퍼 암 연결 장치 .....	300	627
924 작업장치 브라켓, 퀵 핏 .....	100	561	975 디퍼 암 및 윤활 배관, 유압 배관 장착브라켓 포함 .....	500	629
924 유압 배관, 상부 프레임측 퀵 핏 .....	200	565	975 디퍼 암 및 윤활 배관, 유압 배관 장착브라켓 포함 .....	600	633
924 유압 배관, 붐측 퀵 핏 .....	400	567	975 롱 리치 디퍼 암 및 윤활 배관, 유압 배관 장착 브라켓 포함 .....	800	637
924 유압 배관, 조절 붐측 퀵 핏 .....	500	569	975 디퍼 암 실린더 .....	1500	639
924 유압 배관, 디퍼 암측 퀵 핏 .....	700	571	975 .....	1600	643
924 유압 배관, 상부 프레임측 슬로프 및 로테이터 .....	1000	573	975 커빅팅 로드 연결 장치 .....	1900	647
924 유압 배관, 붐측 슬로프 및 로테이터 .....	1100	575	975 버킷 실린더 .....	2500	649
924 유압 배관, 조절 붐측 슬로프 및 로테이터 .....	1200	577	975 롱 리치 버킷 실린더 .....	2700	653
924 유압 배관, 디퍼 암측 슬로프 및 로테이터 .....	1600	579	992 도난 방지 장치 .....	100	657
924 기어 펌프, 퀵 핏 및 로테이터 .....	2000	581			
924 퀵 핏 실린더 .....	3000	583			
924 퀵 핏 밸브 .....	3100	585			
925 버킷 .....	100	587			
925 버킷 .....	200	589			
925 버킷 .....	500	591			
925 퀵 핏 버킷 .....	1000	593			
925 롱 리치 버킷 .....	1200	595			
925 버킷 미장착시 연결 장치 .....	1500	597			
974 붐 연결 장치 .....	100	599			
974 붐 및 윤활 배관 .....	300	601			
974 조절 붐 연결 장치 .....	1000	603			
974 1 단 조절 붐 및 윤활 배관 .....	1200	605			
974 2 단 조절 붐 및 윤활 배관 .....	1300	607			
974 롱 리치 붐 연결 장치 .....	2000	609			
974 롱 리치 붐 및 그리스 배관 .....	2100	611			
974 붐 연결 장치 - 붐 미장착시 .....	2500	613			
974 붐 실린더 .....	3000	615			
974 2 단 조절 붐 실린더 .....	3400	619			
975 디퍼 암 연결 장치 .....	100	623			
975 디퍼 암 연결 장치 .....	200	625			

GRUPO	Sección	Página	GRUPO	Sección	Página		
911	Depósito de aceite hidráulico.....	100	375	914	Servosistema, válvula de mando a distancia.....	1100	469
911	Tubería de articulación de giro, válvula de control a arti.....	200	379	914	Servosistema, válvula de mando a distancia.....	1200	473
911	Tubería de articulación de giro, articulación de giro a motor de tras.....	300	381	914	Servosistema, válvula de mando a distancia.....	1300	477
911	Sistema hidráulico, válvula de control para pluma y oscilaci.....	400	383	914	Servosistema, martillo y cizalla.....	2100	481
911	Sistema hidráulico, depósito hidr. a enfr. aceite hidr.....	500	385	914	Servosistema, martillo y cizalla.....	2200	483
911	Sistema hidráulico, depósito hidr. a bomba hidr.....	600	389	914	Servosistema, martillo y cizalla.....	2300	485
912	Válvula de mando con piezas se montaje.....	100	391	916	Hidráulica de trabajo, cilindro de brazo en la pluma.....	100	487
912	Válvula de control principal, válvula de alivio y retención de pluma.....	200	393	916	Hidráulica de trabajo, válvula de rotura de manguera en plum.....	300	491
912	Válvula de control principal, pluma, cazo y traslación Rh.....	300	397	916	Hidráulica de trabajo, cilindro de brazo en la pluma largo.....	400	493
912	Válvula de control principal, oscilación, opción, brazo y.....	400	401	916	Hidráulica de trabajo, cilindro de brazo en la pluma ajustable.....	500	497
912	Válvula de control princ., válvula de alivio y retención de brazo.....	500	405	916	Hidráulica de trabajo, segundo cilindro de pluma en la pluma ajustable.....	600	501
912	Válvula de control principal, válvula de alivio y retención de pluma.....	600	409	916	Hidráulica de trabajo, pluma ajustable para superior.....	700	505
912	Válvula de control principal, pluma, cazo y traslación Rh.....	700	413	916	Hidráulica de trabajo, tapón para sin pluma.....	800	509
912	Válvula de control principal, oscilación, opción, brazo y.....	800	417	916	Hidráulica de trabajo, cilindro de pluma.....	900	511
912	Válvula de control princ., válvula de alivio y retención de brazo.....	900	421	916	Hidráulica de trabajo, cilindro de chuchara en la bras.....	1000	513
912	Hidráulica de trabajo, válvula de seguridadado en pluma y montaje válvula.....	2000	425	916	Hidráulica de trabajo, válvula de rotura de manguera en braz.....	1200	515
912	Hidráulica de trabajo, válvula ruptura en braz y montaje de válvula.....	2100	427	916	Hidráulica de trabajo, cilindro de chuchara en la bras largo.....	1300	517
913	Instalación de bomba.....	100	429	916	Hidráulica de trabajo, tapón para sin bras.....	1400	519
913	Bomba hidráulica.....	200	431	916	Hidráulica de trabajo, válvula ruptura en la pluma ajustable.....	1500	521
913	Regulador, bomba hidráulica.....	300	437	916	Hidráulica de trabajo, martillo y cizalla para pluma.....	2000	523
913	Engranaje de bomba hidráulica.....	400	441	916	Hidráulica de trabajo, martillo y cizalla para brazo.....	2100	525
914	Servosistema, válvula de control a válvula de mando a distan.....	100	443	916	Hidráulica de trabajo, martillo y cizalla para superior.....	2200	527
914	Servosistema, válvula de control a válvula pedal de mando a distan.....	200	447	916	Hidráulica de trabajo, martillo y cizalla para filtro de retor.....	2300	529
914	Servosistema, válvula de control a válvula solenoide.....	300	449	916	Hidráulica de trabajo, martillo y cizalla para flujo de 1a. bomba.....	2400	531
914	Servosistema, tuberías a válvula de control.....	400	453	916	Hidráulica de trabajo, martillo y cizalla para flujo de 2a. bomba.....	2600	535
914	Servosistema, tuberías a bomba y montaje filtro de aceite.....	500	457	916	Hidráulica de trabajo, martillo y cizalla para pluma ajustable.....	2800	539
914	Pedal de válvula de control remoto con accesorios.....	700	461	916	Hidráulica de trabajo, tubo salida de aceite en la pluma.....	3000	541
914	Válvula de control a pedal de válvula de mando a distancia, motor trasl.....	800	463	916	Hidráulica de trabajo, tubo salida de aceite en la bastidor alto.....	3100	543
914	Servosistema, válvula solenoide.....	900	467	916	Hidráulica de trabajo, tubo salida de aceite en la pluma ajustable.....	3200	545
				916	Hidráulica de trabajo, cazo de almeja.....	4000	547

INDICE

Catalogue id <b>56141</b>	Group <b>900</b>
Issue <b>VOE 7414356141</b>	Page <b>371</b>

## INDICE

Catalogue id <b>56141</b>	Group <b>900</b>
Issue <b>VOE 7414356141</b>	Page <b>372</b>

GRUPO	Sección	Página	GRUPO	Sección	Página
-------	---------	--------	-------	---------	--------

916	Hidraulica de trabajo, pedal de valv. de mando a dist. para pluma ajustable.....	7000	551	974	Cilindro de pluma .....	3000	615
916	Hidráulica de trabajo, pedal de válv. de mando a dist. para .....	7100	553	974	Cilindro de pluma, ajustable segundo .....	3400	619
916	Hidráulica de trabajo, pluma ajustable, valvula control .....	7200	555	975	Enlaces al brazo.....	100	623
916	Hidráulica de trabajo, válvula de solenoide .....	7300	559	975	Enlaces al brazo.....	200	625
924	Portaimplemento, enganche rápido .....	100	561	975	Articulacions a brazo, alcance largo .....	300	627
924	Hidráulica de trabajo, acoplamiento rapido en la bastidor alto .....	200	565	975	Brazos y tuberías de engrase con asiento de tuberías.....	500	629
924	Hidráulica de trabajo, acoplamiento rapido en la pluma .....	400	567	975	Brazos y tuberías de engrase con asiento de tuberías.....	600	633
924	Hidráulica de trabajo, acoplamiento rapido en la pluma ajustable.....	500	569	975	Pluma y conducto de lubricación con tubería de asiento, alcance largo .....	800	637
924	Hidráulica de trabajo, acoplamiento rapido en la brazo.....	700	571	975	Cilindro de brazo .....	1500	639
924	Hidráulica de trabajo, declive y rotator en la bastidor alto .....	1000	573	975	Cilindro de brazo para alcance largo .....	1600	643
924	Hidráulica de trabajo, declive y rotator en la pluma .....	1100	575	975	Articulacions enlace contra varilla piston .....	1900	647
924	Hidráulica de trabajo, declive y rotator en la pluma ajustable.....	1200	577	975	Cilindro de cazo .....	2500	649
924	Hidráulica de trabajo, declive y rotator en la brazo .....	1600	579	975	Cilindro cuchara, alcance largo .....	2700	653
924	Bomba hidráulica de engranajes para enganche rápido y rotador ..	2000	581	992	Sistema antirrobo .....	100	657
924	Cilindro, acoplamiento rapido .....	3000	583				
924	Válvula de acoplamiento rapido .....	3100	585				
925	Cazo.....	100	587				
925	Cazo.....	200	589				
925	Cazo.....	500	591				
925	Cazos para enganche rápido.....	1000	593				
925	Chucharas para alcance largo .....	1200	595				
925	Varillado para sin chuchara .....	1500	597				
974	Articulacions a pluma .....	100	599				
974	Pluma y conducto de lubricación .....	300	601				
974	Enlaces a la pluma, ajustable .....	1000	603				
974	Pluma y tubería de engrase, ajustable 1a. ....	1200	605				
974	Pluma y tubería de engrase, ajustable 2a. ....	1300	607				
974	Articulacions a pluma, alcance largo .....	2000	609				
974	Pluma y conducto de lubricación, alcance largo.....	2100	611				
974	Enlaces a la pluma, no sólo pluma .....	2500	613				

**VOLVO**

**Volvo Construction  
Equipment**

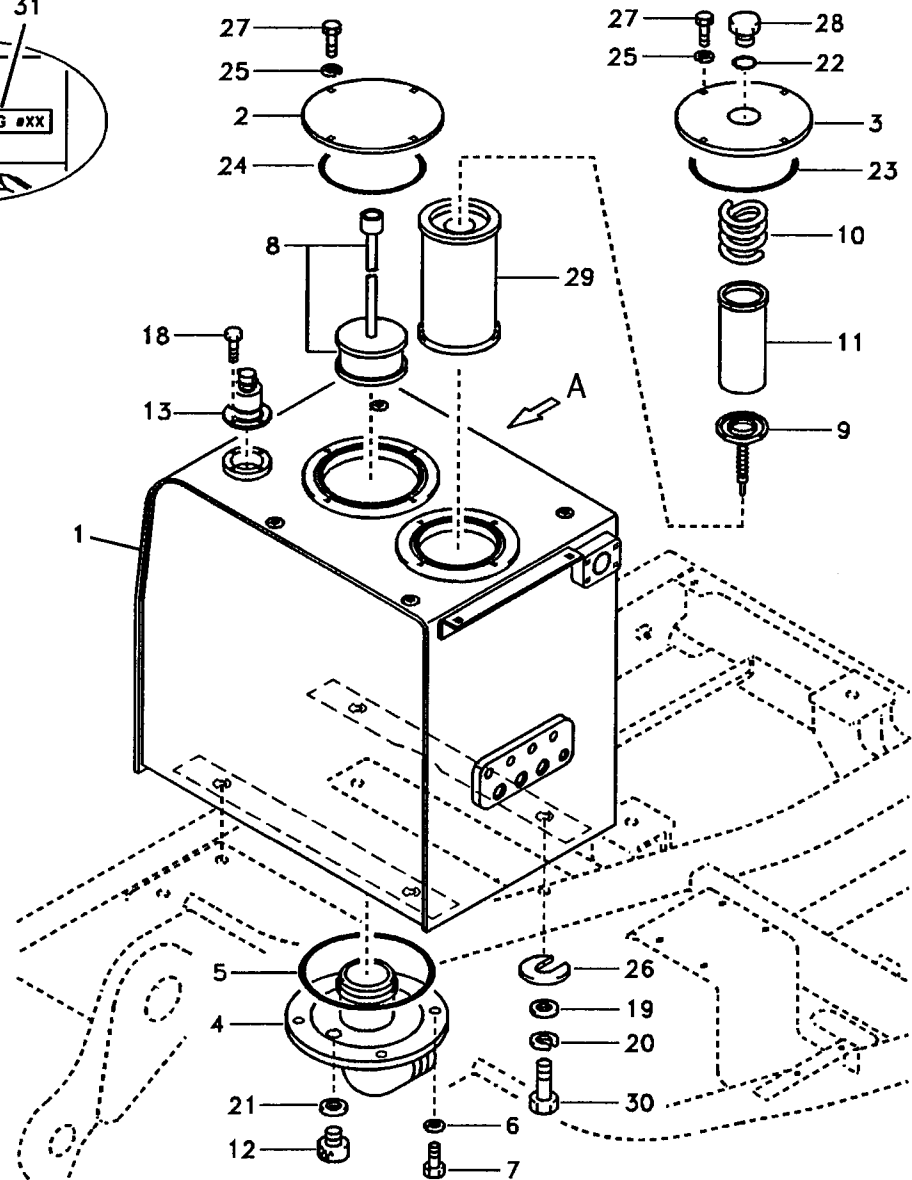
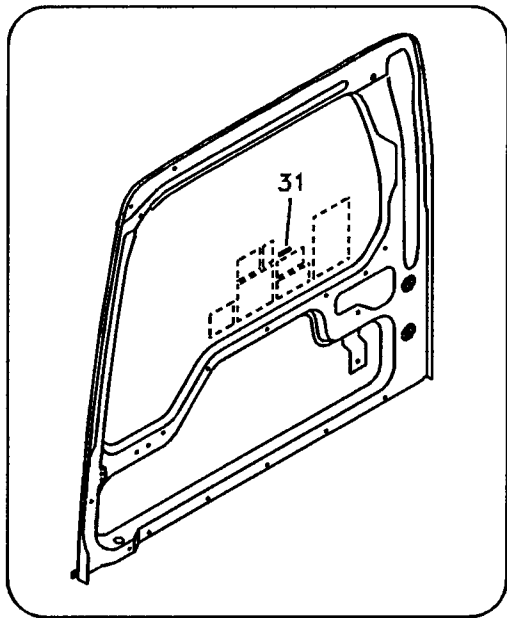
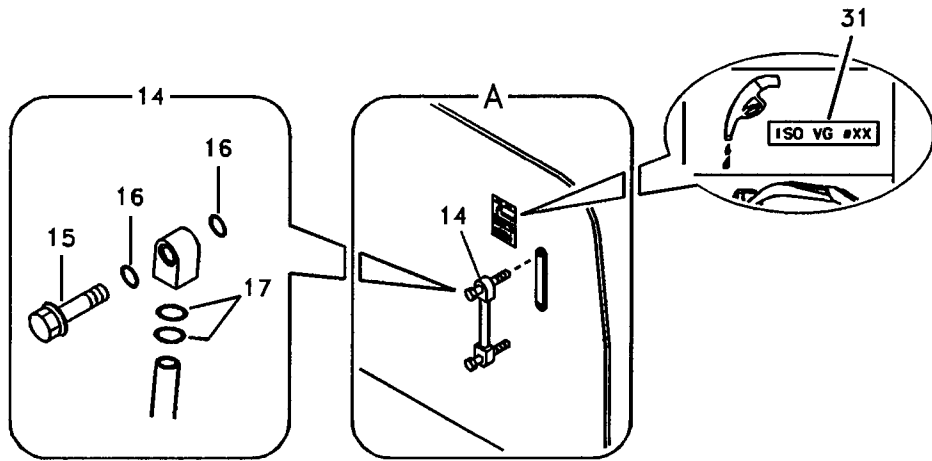


Fig.	Part No.	Quantity					P S	K I T	Description	Dénomination	Bezeichnung	품명	Denominación	Notes
		1	2	3	4	5								
1	VOE 14505893	1						Hydr fluid tank.....	Reservoir fluid.hydr	Druckölbehälter .....	유압 오일 탱크 .....	Dep Aceit Hidr.....		
2	SA 1141-01021	1						•Cover.....	•Capot .....	•Haube .....	•커버 .....	•Capo.....		
3	SA 1141-02230	1						•Cover.....	•Capot .....	•Haube .....	•커버 .....	•Capo.....		
4	VOE 14510098	1						•Cover.....	•Capot .....	•Haube .....	•커버 .....	•Capo.....		
5	SA 9511-22230	1						•O-ring .....	•Joint Torique .....	•O-ring.....	•오링 .....	•Junta torica.....		
6	SA 9211-10000	4						•Washer .....	•Rondelle .....	•Scheibe.....	•와셔 .....	•Arandela.....		
7	VOE 983251	4						•Screw .....	•Vis .....	•Schraube .....	•스크류 .....	•Tornillo.....		
8	SA 1141-00030	1						Strainer .....	Crepine.....	Seiher .....	스트레이너 .....	Colador.....		
	SA 1141-00010	1						•Element .....	•Elément.....	•Element .....	•엘리먼트 .....	•Elemento.....		
9	SA 1041-00140	1						Valve.....	Soupape .....	Ventil .....	밸브 .....	Valvula.....		
10	SA 1041-00150	1						Spring .....	Ressort .....	Feder .....	스프링 .....	Muelle.....		
11	SA 1041-00750	1						Strainer .....	Crepine.....	Seiher .....	스트레이너 .....	Colador.....		
12	SA 1012-01500	1						Valve.....	Soupape .....	Ventil .....	밸브 .....	Valvula.....		
13	SA 1141-00080	1						Breather.....	Racc Aeration.....	Entlufter .....	브리더 .....	Respiradero.....		
	VOE 14500233	1						•Element .....	•Elément.....	•Element .....	•엘리먼트 .....	•Elemento.....		
14	SA 1141-01720	1						Lvl Ind Pipe .....	Indicat Niveau .....	Pegelstandrohr .....	레벨 게이지 .....	Tubo Ind Nivel.....		
15	VOE 14517557	2						•Bolt .....	•Boulon .....	•Bolzen.....	•볼트 .....	•Perno.....		
16	SA 9511-12010	4						•O-ring .....	•Joint Torique .....	•O-ring.....	•오링 .....	•Junta torica.....		
17	SA 9511-12018	4						•O-ring .....	•Joint Torique .....	•O-ring.....	•오링 .....	•Junta torica.....		
18	VOE 969422	4						Screw.....	Vis .....	Schraube .....	스크류.....	Tornillo.....		
19	SA 9211-20000	4						Washer .....	Rondelle .....	Scheibe .....	와셔 .....	Arandela.....		
20	SA 9213-20000	4						Washer .....	Rondelle .....	Scheibe .....	와셔 .....	Arandela.....		
21	SA 9426-20090	1						Gasket .....	Joint.....	Dichtung .....	가스켓.....	Junta.....		
22	SA 9511-12040	1						O-ring.....	Joint Torique .....	O-ring .....	오링 .....	Junta torica.....		
23	SA 9511-22190	1						O-ring.....	Joint Torique .....	O-ring .....	오링 .....	Junta torica.....		
24	SA 9511-22230	1						O-ring.....	Joint Torique .....	O-ring .....	오링 .....	Junta torica.....		
25	SA 9211-10000	8						Washer .....	Rondelle .....	Scheibe .....	와셔 .....	Arandela.....		
26	SA 9742-50020	5						Shim.....	Cale Reglage .....	Nachstellblech.....	심 .....	Cuna de calzar.....		
27	VOE 983251	8						Screw.....	Vis .....	Schraube .....	스크류.....	Tornillo.....		
28	SA 1141-02161	1						Plug.....	Bouchon .....	Stopfen.....	플러그.....	Tapon.....		

1	8277784	<b>Depósito de aceite hidráulico</b> 유압 탱크 <b>Hydrauliköltank</b> <b>Réservoir d'huile hydraulique</b> <b>Hydraulic oiltank</b>	Catalogue id	Group
2	8277846		<b>56141</b>	<b>911</b>
3	8277847		Illustr. No	Section
4	8277848		<b>TA200</b>	<b>100</b>
5			Issue	Page
			<b>VOE 7414356141</b>	<b>375</b>



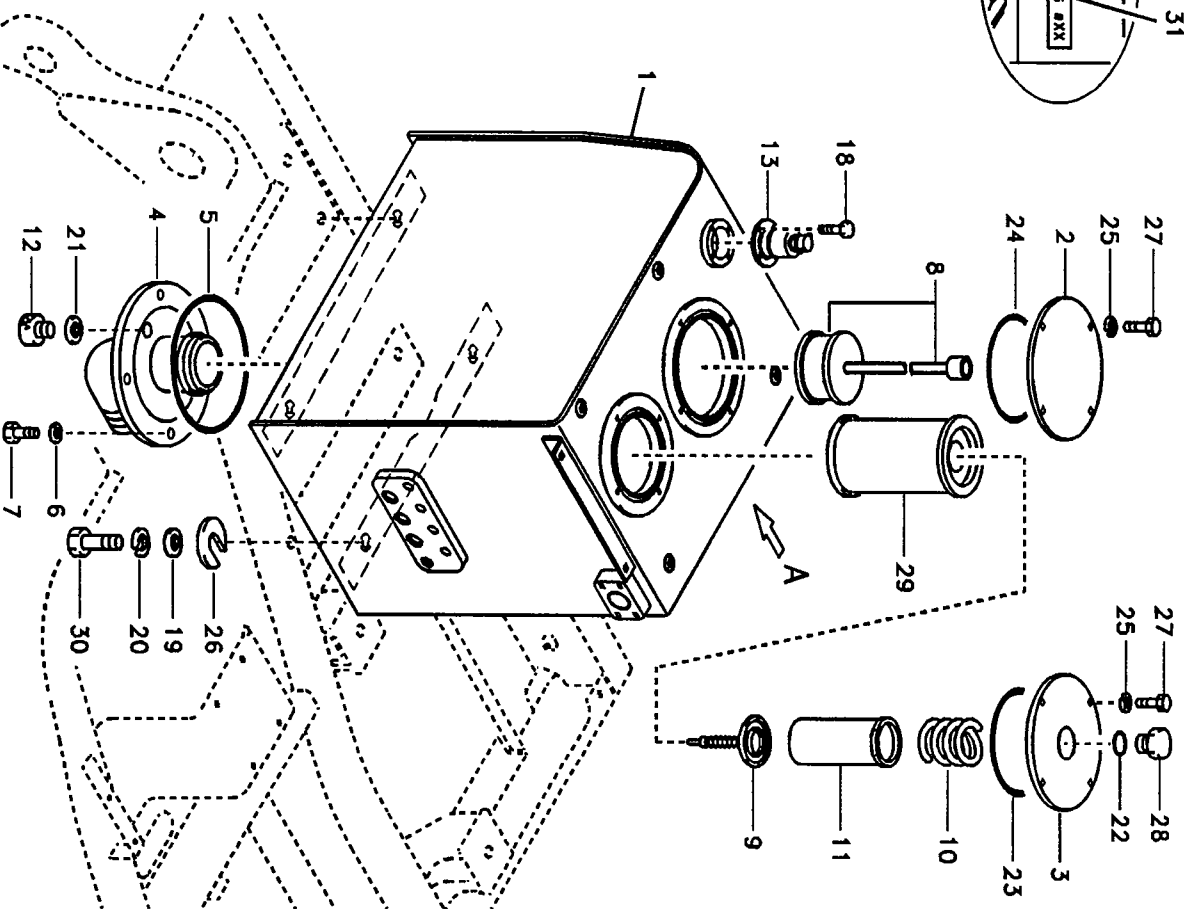
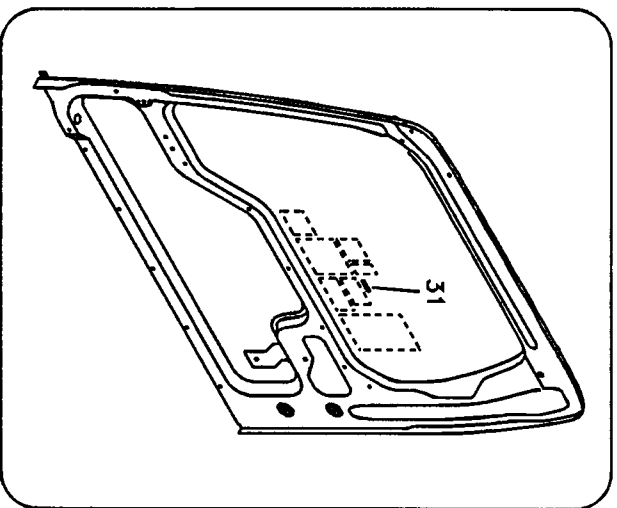
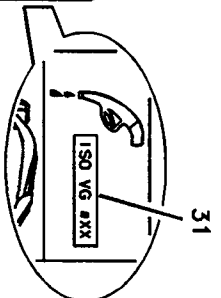
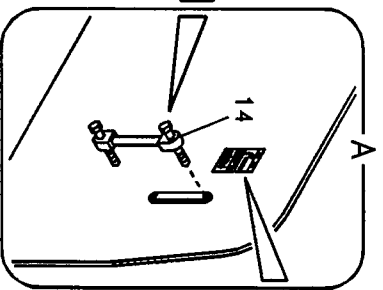
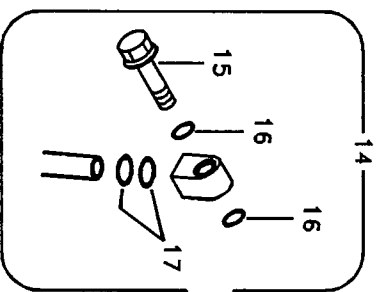


Fig.	Part No.	Quantity					P S	K I T	Description	Dénomination	Bezeichnung	품명	Denominación	Notes
		1	2	3	4	5								
29	VOE 14509379	1						Element.....	Elément .....	Element .....	엘리먼트 .....	Elemento.....		
30	SA 9011-12009	4						Bolt.....	Boulon .....	Bolzen .....	볼트 .....	Perno.....		
31	SA 1192-04700		2					Decal.....	Decalcomanie.....	Abziehbild .....	데칼 .....	Decalcomania.....	ISO VG No.32	
	SA 1192-04880			2				Decal.....	Decalcomanie.....	Abziehbild .....	데칼 .....	Decalcomania.....	ISO VG No.46	
	SA 1192-04710				2			Decal.....	Decalcomanie.....	Abziehbild .....	데칼 .....	Decalcomania.....	ISO VG No.46	

1	8277784	<b>Depósito de aceite hidráulico</b> 유압 탱크 <b>Hydrauliköltank</b> <b>Réservoir d'huile hydraulique</b> <b>Hydraulic oiltank</b>	Catalogue id	Group
2	8277846		<b>56141</b>	<b>911</b>
3	8277847		Illustr. No	Section
4	8277848		<b>TA200</b>	<b>100</b>
5			Issue	Page
			<b>VOE 7414356141</b>	<b>377</b>

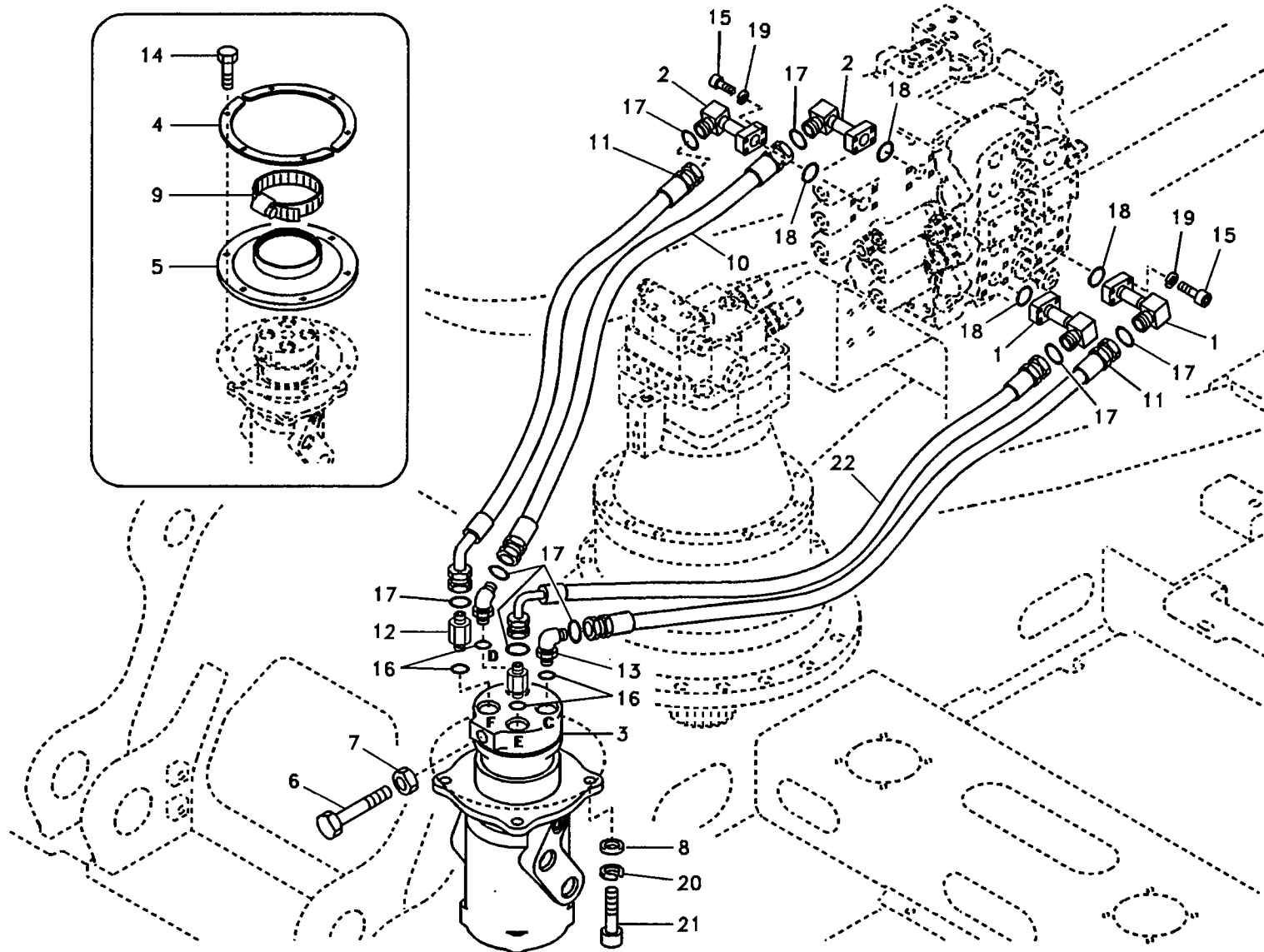


Fig.	Part No.	Quantity			P S	K I T	Description	Dénomination	Bezeichnung	품명	Denominación	Notes
		1	2	3								
1	SA 1142-03110	2				Pipe.....	Canalisation .....	Rohrleitung .....	파이프 .....	Canalización.....		
2	SA 1142-03530	2				Pipe.....	Canalisation .....	Rohrleitung .....	파이프 .....	Canalización.....		
3	SA 1146-00062	1				Turning Joint .....	Artic Rotation .....	Drehgelenk .....	터닝 조인트 .....	Junta Giratoria.....	See group 443, Page 213	
4	SA 1155-01181	2				Plate.....	Plaque .....	Platte .....	플레이트 .....	Placa.....		
5	SA 1155-01191	1				Seal.....	Joint .....	Dichtring .....	시일 .....	Junta.....		
6	SA 9011-22226	1				Bolt.....	Boulon.....	Bolzen.....	볼트 .....	Perno.....		
7	SA 9111-12200	1				Nut .....	Ecrou.....	Mutter .....	너트 .....	Tuerca.....		
8	SA 9211-16000	4				Washer.....	Rondelle .....	Scheibe .....	와셔 .....	Arandela.....		
9	SA 9312-10600	1				Clamp.....	Pince Serrage .....	Klemme .....	클램프 .....	Abrazadera.....		
10	SA 9401-05624	1				Hose.....	Durit .....	Schlauch .....	호스 .....	Tubo flexible.....		
11	SA 9403-05623	2				Hose.....	Durit .....	Schlauch .....	호스 .....	Tubo flexible.....		
12	SA 9419-11080	2				Connector .....	Raccord.....	Anschluss .....	커넥터 .....	Union.....		
13	SA 9419-21040	2				Elbow .....	Coude .....	Winkelstueck .....	엘보 .....	Codo.....		
14	VOE 946173	6				Screw.....	Vis .....	Schraube .....	스크류 .....	Tornillo.....		
15	VOE 947167	16				Screw.....	Vis .....	Schraube .....	스크류 .....	Tornillo.....		
16	SA 9511-12029	4				O-ring.....	Joint Torique .....	O-ring .....	오링 .....	Junta torica.....		
17	SA 9512-02018	8				O-ring.....	Joint Torique .....	O-ring .....	오링 .....	Junta torica.....		
18	SA 9512-02219	4				O-ring.....	Joint Torique .....	O-ring .....	오링 .....	Junta torica.....		
19	VOE 955922	16				Spring Washer .....	Rondelle ressort.....	Federscheibe.....	스프링 와셔 .....	Arandela resorte.....		
20	VOE 955926	4				Spring Washer .....	Rondelle ressort.....	Federscheibe.....	스프링 와셔 .....	Arandela resorte.....		
21	VOE 978938	4				Screw.....	Vis .....	Schraube .....	스크류 .....	Tornillo.....		
22	SA 9401-05623	1				Hose.....	Durit .....	Schlauch .....	호스 .....	Tubo flexible.....		

1	8277784	<b>Tubería de articulación de giro, válvula de control a arti</b> 터닝조인트 배관 , 제어밸브 에서 터닝조인트 <b>Drehgelenkleitung, Steuerventil zu Drehgelenk</b> <b>Articulation de rotation, valve de commande vers articulation de rotation</b> <b>Turning joint line, control valve to turning joint</b>	Catalogue id	Group
2			<b>56141</b>	<b>911</b>
3			Illustr. No	Section
4			<b>TA201</b>	<b>200</b>
5			Issue	Page
			<b>VOE 7414356141</b>	<b>379</b>

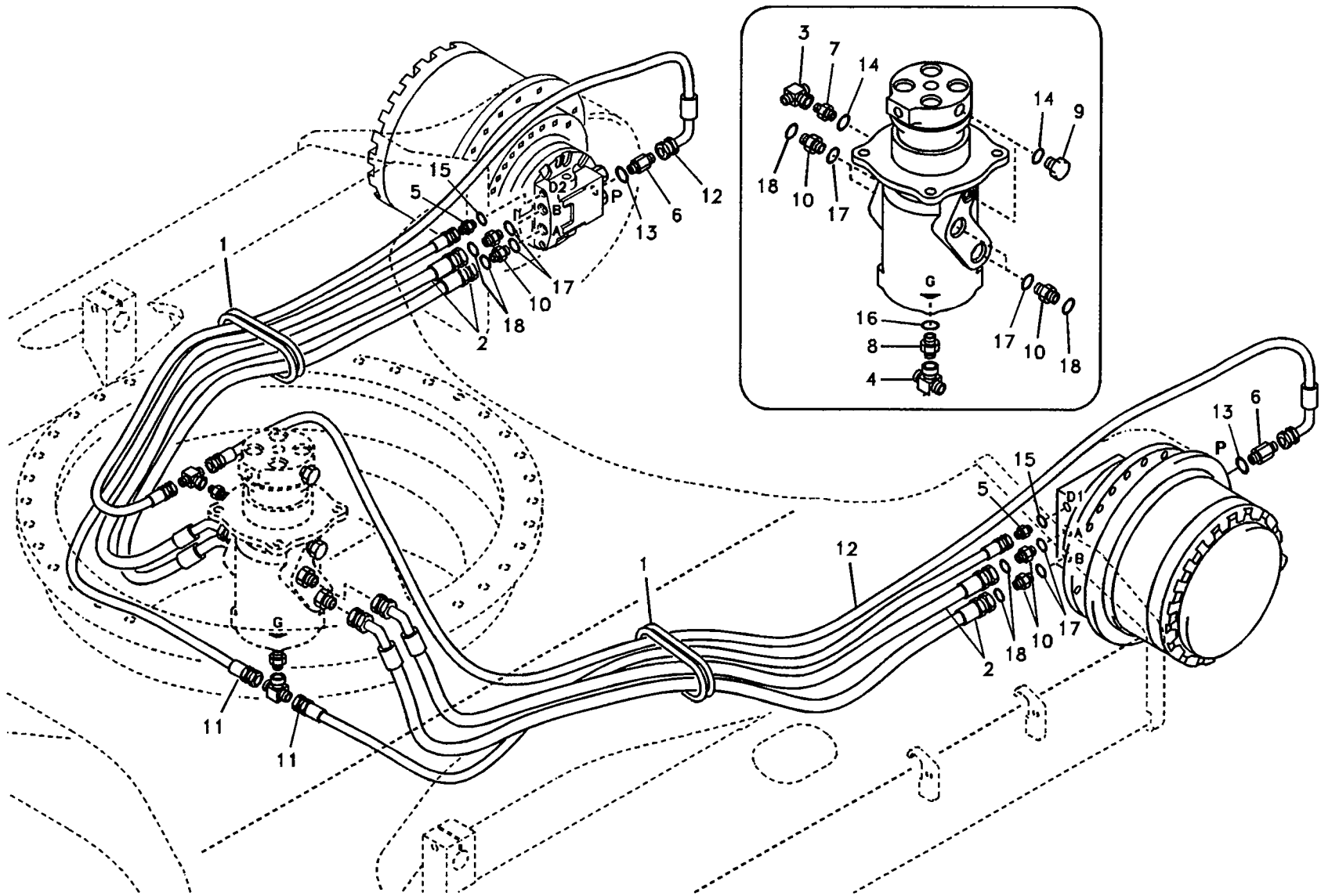


Fig.	Part No.	Quantity			P S	K I T	Description	Dénomination	Bezeichnung	품명	Denominación	Notes
		1	2	3								
1	VOE 14502048	2	2	2		Grommet.....	Passe fil .....	Durchführung.....	그로메트 .....	Aislador pasapanel....		
2	SA 9402-05642	4	4			Hose.....	Durit .....	Schlauch .....	호스 .....	Tubo flexible.....		
	SA 9402-05640			4		Hose.....	Durit .....	Schlauch .....	호스 .....	Tubo flexible.....		
3	SA 9411-92180	1	1	1		Tee.....	Connexion en T.....	T-stuck .....	티 .....	Acoplamiento T.....		
4	SA 9411-92200	1	1	1		Tee.....	Connexion en T.....	T-stuck .....	티 .....	Acoplamiento T.....		
5	SA 9412-11040	2	2	2		Connector .....	Raccord.....	Anschluss .....	커넥터 .....	Union.....		
6	SA 9412-11090	2	2	2		Connector .....	Raccord.....	Anschluss .....	커넥터 .....	Union.....		
7	SA 9412-11130	1	1	1		Connector .....	Raccord.....	Anschluss .....	커넥터 .....	Union.....		
8	SA 9412-11170	1	1	1		Connector .....	Raccord.....	Anschluss .....	커넥터 .....	Union.....		
9	SA 9415-11031	2	2	2		Plug.....	Bouchon.....	Stopfen .....	플러그 .....	Tapon.....		
10	SA 9419-11070	8	8	8		Connector .....	Raccord.....	Anschluss .....	커넥터 .....	Union.....		
11	SA 9451-04344	2	2			Hose.....	Durit .....	Schlauch .....	호스 .....	Tubo flexible.....		
	SA 9451-04340			2		Hose.....	Durit .....	Schlauch .....	호스 .....	Tubo flexible.....		
12	SA 9453-02255	2	2			Hose.....	Durit .....	Schlauch .....	호스 .....	Tubo flexible.....		
	SA 9453-02251			2		Hose.....	Durit .....	Schlauch .....	호스 .....	Tubo flexible.....		
13	SA 9511-12011	2	2	2		O-ring .....	Joint Torique .....	O-ring .....	오링 .....	Junta torica.....		
14	SA 9511-12014	3	3	3		O-ring .....	Joint Torique .....	O-ring .....	오링 .....	Junta torica.....		
15	SA 9511-12018	2	2	2		O-ring .....	Joint Torique .....	O-ring .....	오링 .....	Junta torica.....		
16	SA 9511-12024	1	1	1		O-ring .....	Joint Torique .....	O-ring .....	오링 .....	Junta torica.....		
17	SA 9511-12029	8	8	8		O-ring .....	Joint Torique .....	O-ring .....	오링 .....	Junta torica.....		
18	SA 9512-02018	8	8	8		O-ring .....	Joint Torique .....	O-ring .....	오링 .....	Junta torica.....		

1	8277820	<b>Tubería de articulación de giro, articulación de giro a motor de tras</b> 터닝조인트 배관 , 터닝조인트에서 주행모터 <b>Drehgelenkleitung, Steuerventil zu Fahrmotor</b> <b>Articulation de rotation, articulation de rotation vers moteur de conduite</b> Turning joint line, turning joint to travel motor	Catalogue id	Group
2	8277821		<b>56141</b>	<b>911</b>
3	8277822		Illustr. No	Section
4			<b>TA202</b>	<b>300</b>
5			Issue	Page
		<b>VOE 7414356141</b>	<b>381</b>	

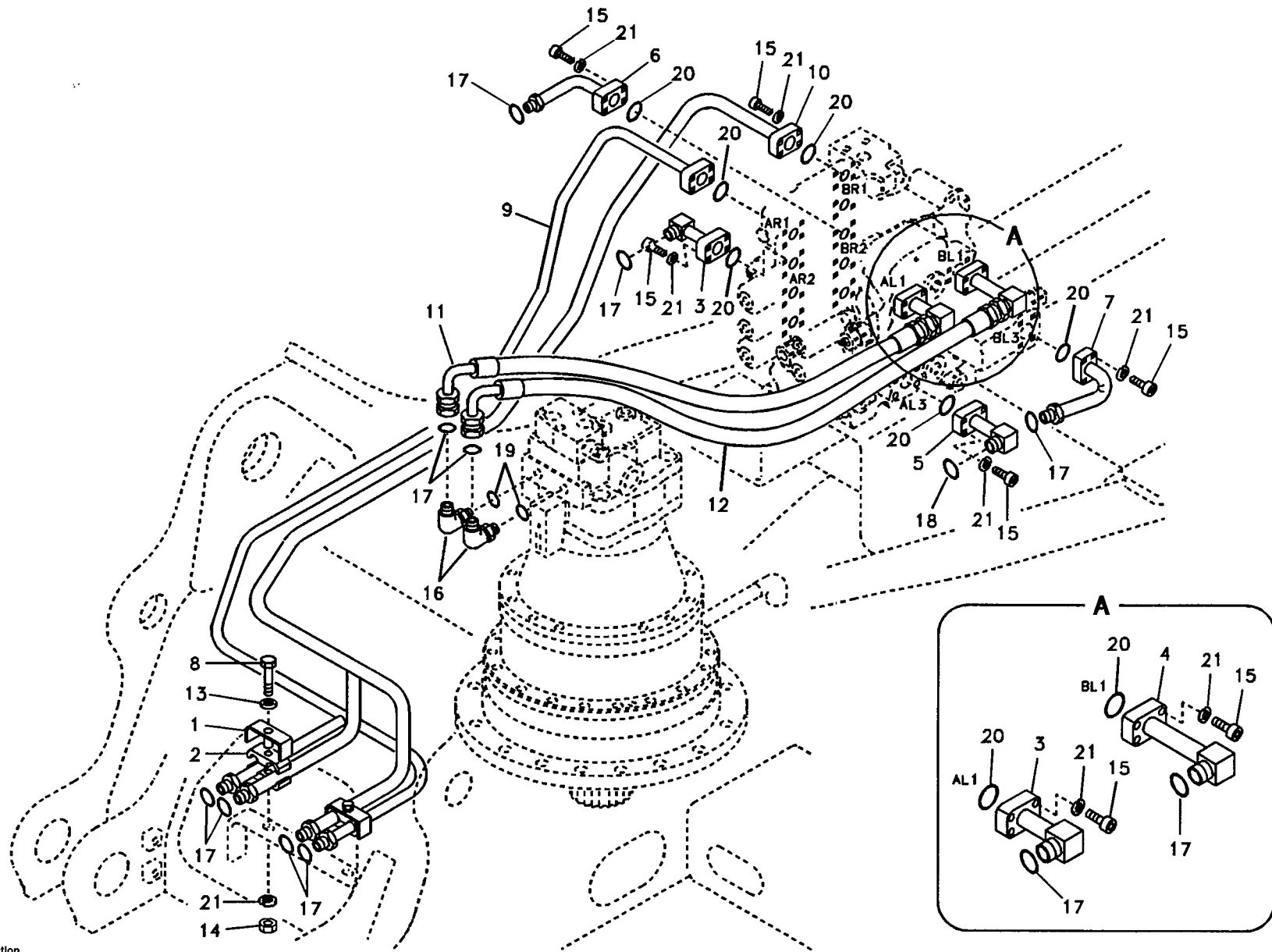


Fig.	Part No.	Quantity			P S	K I T	Description	Dénomination	Bezeichnung	품명	Denominación	Notes
		1	2	3								
1	SA 1142-01250	2				Clamp.....	Pince Serrage .....	Klemme .....	클램프 .....	Abrazadera.....		
2	SA 1142-01260	4				Clamp.....	Pince Serrage .....	Klemme .....	클램프 .....	Abrazadera.....		
3	SA 1142-03120	2				Pipe.....	Canalisation .....	Rohrleitung .....	파이프 .....	Canalización.....		
4	SA 1142-03130	1				Pipe.....	Canalisation .....	Rohrleitung .....	파이프 .....	Canalización.....		
5	SA 1142-03150	1				Pipe.....	Canalisation .....	Rohrleitung .....	파이프 .....	Canalización.....		
6	SA 1142-03161	1				Pipe.....	Canalisation .....	Rohrleitung .....	파이프 .....	Canalización.....		
7	SA 1142-03140	1				Pipe.....	Canalisation .....	Rohrleitung .....	파이프 .....	Canalización.....		
8	VOE 983258	2				Screw.....	Vis .....	Schraube .....	스크류 .....	Tornillo.....		
9	VOE 14505760	1				Pipe.....	Canalisation .....	Rohrleitung .....	파이프 .....	Canalización.....		
10	VOE 14505761	1				Pipe.....	Canalisation .....	Rohrleitung .....	파이프 .....	Canalización.....		
11	SA 9459-05790	1				Hose.....	Durit .....	Schlauch .....	호스 .....	Tube flexible.....		
12	VOE 14880158	1				Hose.....	Durit .....	Schlauch .....	호스 .....	Tube flexible.....		
13	SA 9285-16000	2				Washer.....	Rondelle.....	Scheibe .....	와셔 .....	Arandela.....		
14	VOE 983304	2				Nut .....	Ecrou.....	Mutter .....	너트 .....	Tuerca.....		
15	VOE 947167	30				Screw.....	Vis .....	Schraube .....	스크류 .....	Tornillo.....		
16	SA 9419-21030	2				Elbow .....	Coude .....	Winkelstueck .....	엘보 .....	Codo.....		
17	SA 9512-02018	11				O-ring.....	Joint Torique .....	O-ring .....	오링 .....	Junta torica.....		
18	SA 9512-02021	1				O-ring.....	Joint Torique .....	O-ring .....	오링 .....	Junta torica.....		
19	SA 9511-12024	2				O-ring.....	Joint Torique .....	O-ring .....	오링 .....	Junta torica.....		
20	SA 9512-02219	8				O-ring.....	Joint Torique .....	O-ring .....	오링 .....	Junta torica.....		
21	VOE 955922	32				Spring Washer .....	Rondelle ressort.....	Federscheibe.....	스프링 와셔 .....	Arandela resorte.....		

1	8277784	<b>Sistema hidráulico, válvula de control para pluma y oscilaci</b> 유압 배관 , 제어 밸브에서 붐 및 선회 <b>Hydraulikanlage, Steuerventil für Ausleger und Schwenken</b> <b>Système hydraulique, valve de commande flèche et pivotement</b> <b>Hydraulic system, control valve to boom and swing</b>	Catalogue id	Group
2			<b>56141</b>	<b>911</b>
3			Illustr. No	Section
4			<b>TA203</b>	<b>400</b>
5			Issue	Page
		<b>VOE 7414356141</b>	<b>383</b>	



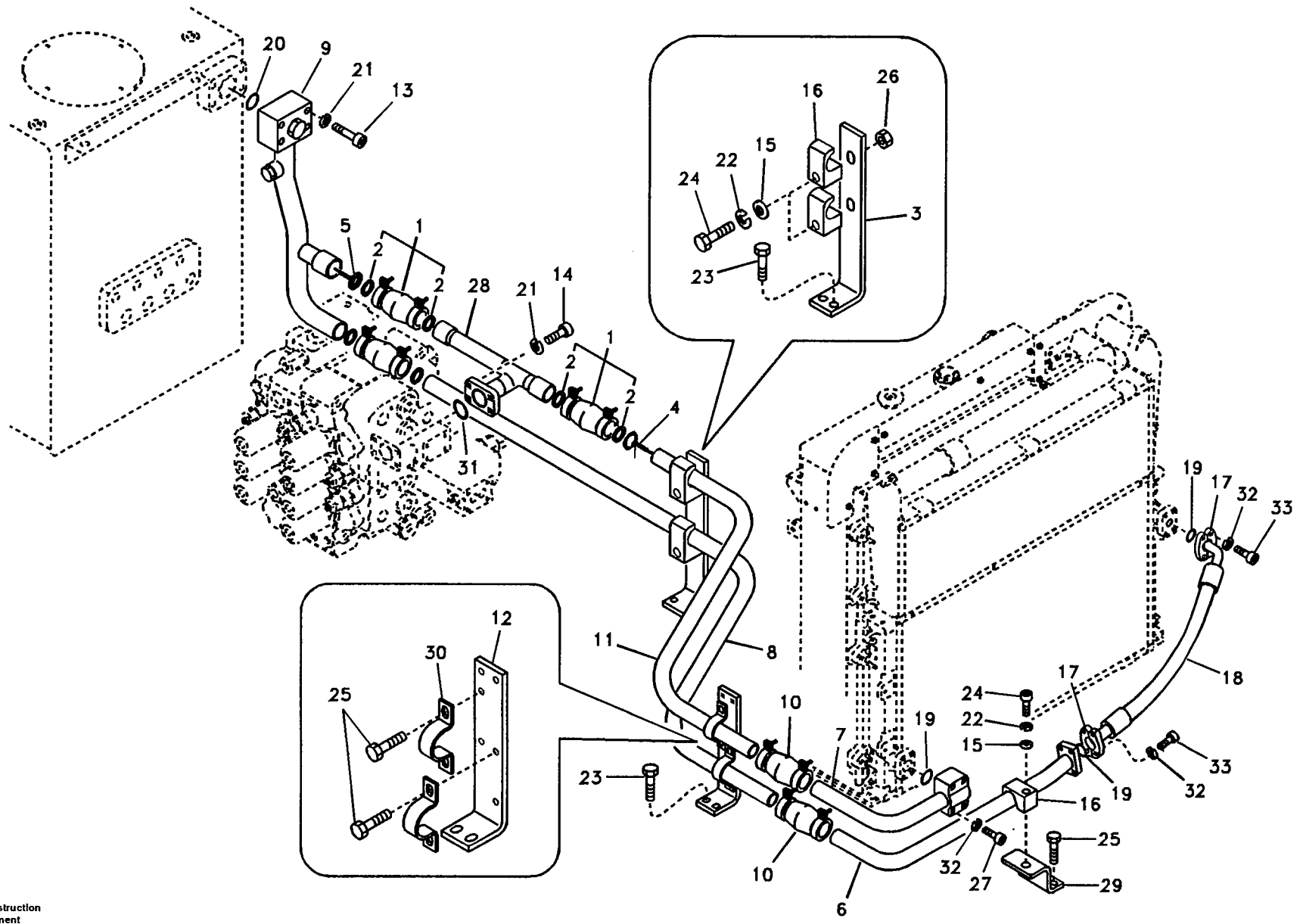


Fig.	Part No.	Quantity			P S	K I T	Description	Dénomination	Bezeichnung	품명	Denominación	Notes
		1	2	3								
1	SA 1142-01830	3				Clutch.....	Embrayage.....	Kupplung .....	클러치 .....	Embrague.....		
2	VOE 14509667	2				•Gasket .....	•Joint .....	•Dichtung.....	• 가스켓 .....	•Junta.....		
3	VOE 14507110	1				Bracket.....	Console.....	Konsole .....	브라켓 .....	Ménsula.....		
4	SA 1142-05510	1				Valve .....	Soupape.....	Ventil .....	밸브 .....	Valvula.....		
5	SA 1142-05520	1				Valve .....	Soupape.....	Ventil .....	밸브 .....	Valvula.....		
6	VOE 14506983	1				Pipe.....	Canalisation .....	Rohrleitung .....	파이프 .....	Canalización.....		
7	VOE 14506987	1				Pipe.....	Canalisation .....	Rohrleitung .....	파이프 .....	Canalización.....		
8	VOE 14507081	1				Pipe.....	Canalisation .....	Rohrleitung .....	파이프 .....	Canalización.....		
9	VOE 14506969	1				Pipe.....	Canalisation .....	Rohrleitung .....	파이프 .....	Canalización.....		
10	VOE 14504230	2				Coupling.....	Accouplement .....	Kupplung .....	커플링 .....	Acoplamiento.....		
11	VOE 14506981	1				Pipe.....	Canalisation .....	Rohrleitung .....	파이프 .....	Canalización.....		
12	VOE 14515814	1				Bracket.....	Console.....	Konsole .....	브라켓 .....	Ménsula.....		
13	SA 9011-21215	4				Bolt.....	Boulon .....	Bolzen.....	볼트 .....	Perno.....		
14	SA 9016-11207	4				Bolt.....	Boulon .....	Bolzen.....	볼트 .....	Perno.....		
15	SA 9211-16000	3				Washer.....	Rondelle.....	Scheibe .....	와셔 .....	Arandela.....		
16	SA 9372-44342	3				Clamp.....	Pince Serrage .....	Klemme .....	클램프 .....	Abrazadera.....		
17	SA 9425-51041	4				Flange.....	Flasque .....	Flansch .....	플랜지 .....	Brida.....		
18	SA 9459-04260	1				Hose.....	Durit .....	Schlauch .....	호스 .....	Tubo flexible.....		
19	SA 9512-02222	3				O-ring.....	Joint Torique .....	O-ring .....	오링 .....	Junta torica.....		
20	SA 9512-02228	1				O-ring.....	Joint Torique .....	O-ring .....	오링 .....	Junta torica.....		
21	VOE 955923	8				Washer.....	Rondelle.....	Scheibe .....	와셔 .....	Arandela.....		
22	VOE 955926	3				Spring Washer .....	Rondelle ressort.....	Federscheibe.....	스프링 와셔 .....	Arandela resorte.....		
23	VOE 946472	4				Flange Screw .....	Vis A Bride .....	Flanschschraube .....	플랜지 스크류 .....	Torn Embridado.....		
24	VOE 978941	3				Screw .....	Vis .....	Schraube .....	스크류 .....	Tornillo.....		
25	VOE 946441	6				Flange Screw .....	Vis A Bride .....	Flanschschraube .....	플랜지 스크류 .....	Torn Embridado.....		
26	VOE 979021	2				Nut .....	Ecrou.....	Mutter .....	너트 .....	Tuerca.....		
27	VOE 983256	4				Screw .....	Vis .....	Schraube .....	스크류 .....	Tornillo.....		
28	SA 1142-03290	1				Pipe.....	Canalisation .....	Rohrleitung .....	파이프 .....	Canalización.....		
29	VOE 14509727	1				Bracket.....	Console.....	Konsole .....	브라켓 .....	Ménsula.....		
30	VOE 14512381	2				Clamp.....	Pince Serrage .....	Klemme .....	클램프 .....	Abrazadera.....		

1	8277784	<b>Sistema hidráulico, depósito hidr. a enfr. aceite hidr.</b> 유압 배관 , 유압 탱크에서 오일 쿨러 <b>Hydraulikanlage, von Hydrauliktank zu Ölkühler</b> <b>Syst. hydr, rés. hydr vers refroidisseur huile hydraulique</b> <b>Hydraulic system, hydraulic tank to hydraulic oil cooler</b>	Catalogue id	Group
2			<b>56141</b>	<b>911</b>
3			Illustr. No	Section
4			<b>TA204</b>	<b>500</b>
5			Issue	Page
		<b>VOE 7414356141</b>	<b>385</b>	

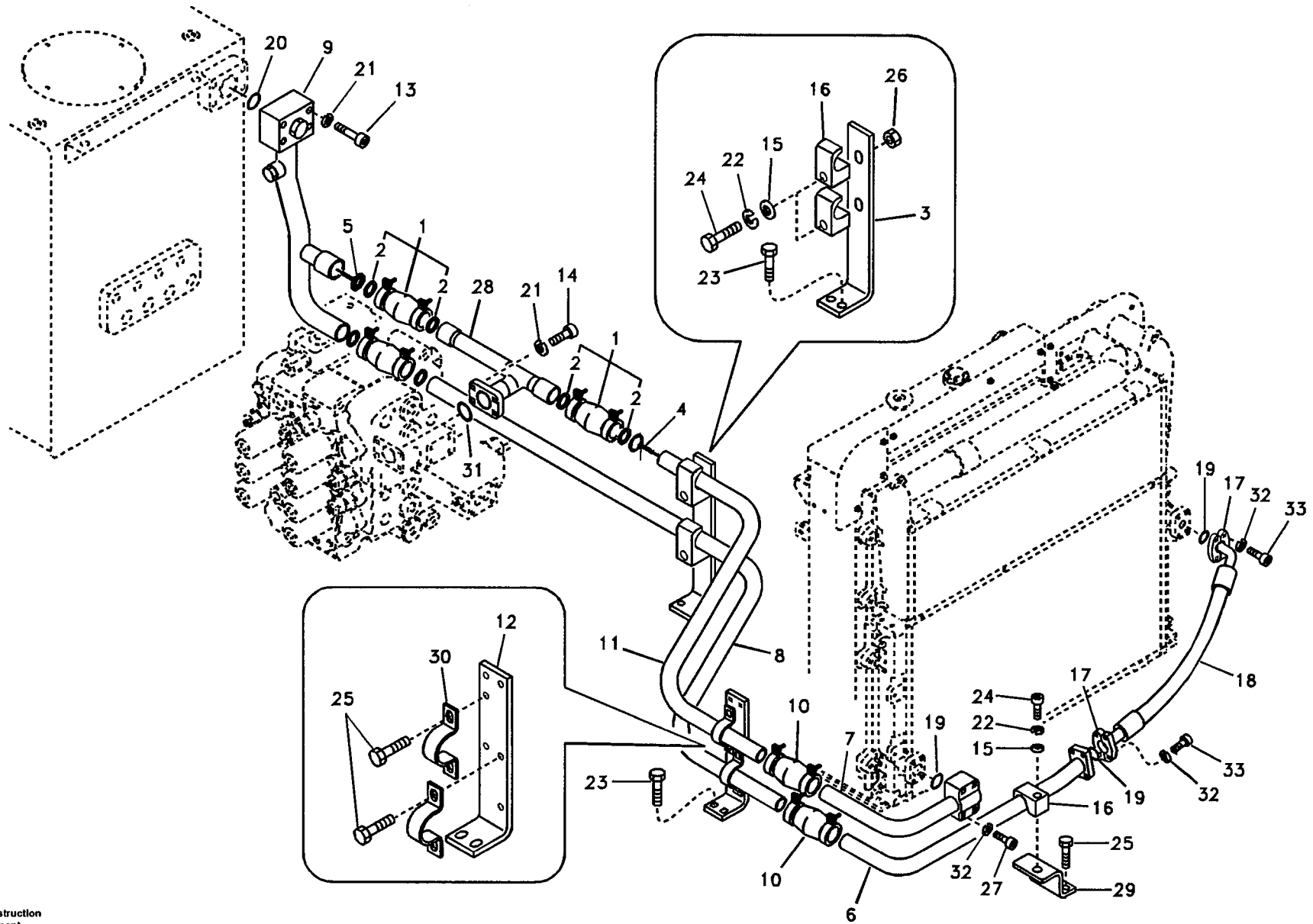


Fig.	Part No.	Quantity			P S	K I T	Description	Dénomination	Bezeichnung	품명	Denominación	Notes
		1	2	3								
31	SA 9512-02225	1					O-ring .....	Joint Torique .....	O-ring .....	오링 .....	Junta torica.....	
32	VOE 955922	12					Spring Washer .....	Rondelle ressort.....	Federscheibe.....	스프링 와셔 .....	Arandela resorte.....	
33	VOE 983253	8					Screw .....	Vis .....	Schraube .....	스크류 .....	Tornillo.....	

1	8277784	<b>Sistema hidráulico, depósito hidr. a enfr. aceite hidr.</b> 유압 배관 , 유압 탱크에서 오일 쿨러 <b>Hydraulikanlage, von Hydrauliktank zu Ölkühler</b> <b>Syst. hydr, rés. hydr vers refroidisseur huile hydraulique</b> <b>Hydraulic system, hydraulic tank to hydraulic oil cooler</b>	Catalogue id	Group
2			<b>56141</b>	<b>911</b>
3			Illustr. No	Section
4			<b>TA204</b>	<b>500</b>
5			Issue	Page
			<b>VOE 7414356141</b>	<b>387</b>

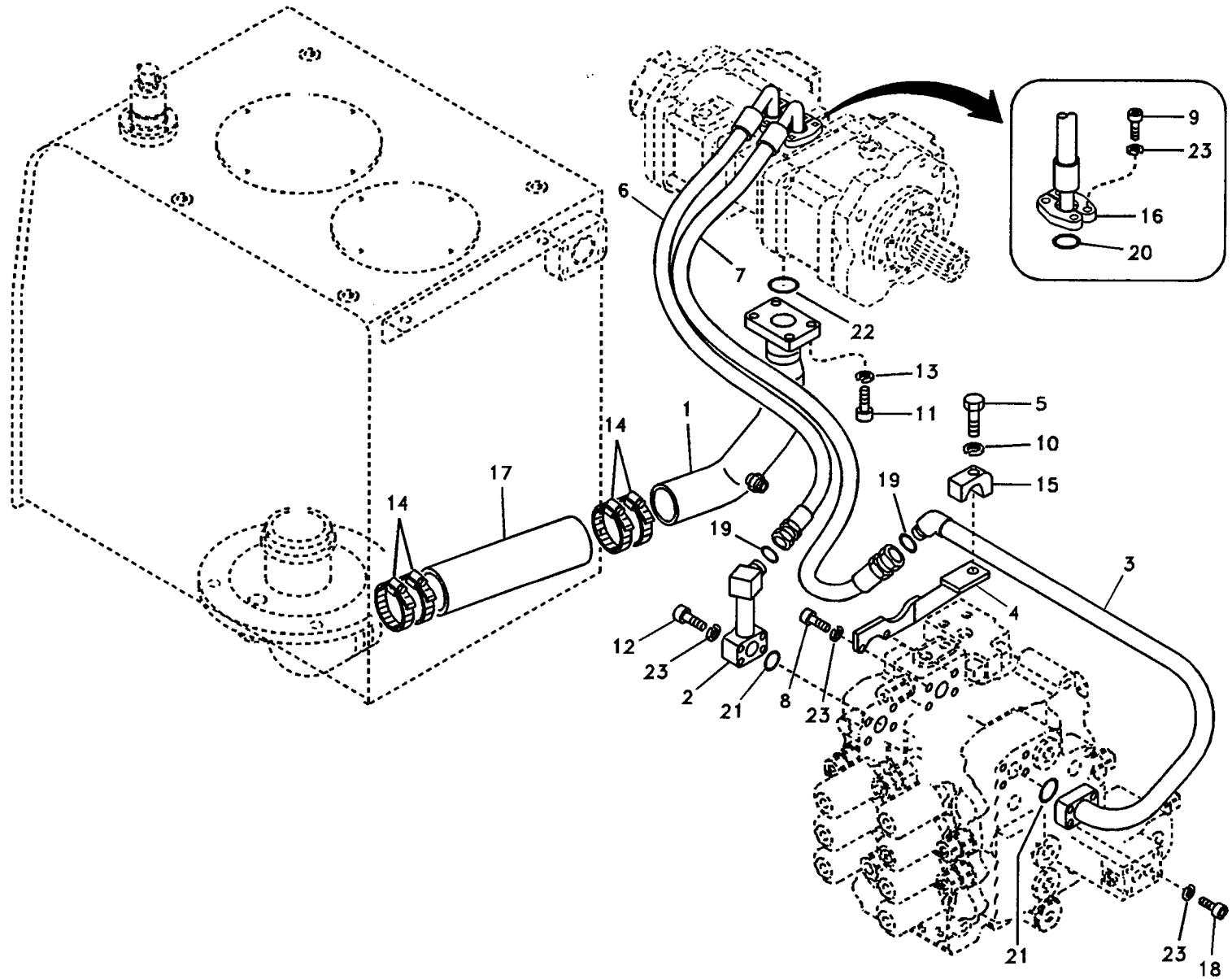


Fig.	Part No.	Quantity			P S	K I T	Description	Dénomination	Bezeichnung	품명	Denominación	Notes
		1	2	3								
1	VOE 14506963	1				Pipe.....	Canalisation .....	Rohrleitung .....	파이프 .....	Canalización.....		
2	VOE 14506971	1				Pipe.....	Canalisation .....	Rohrleitung .....	파이프 .....	Canalización.....		
3	VOE 14506973	1				Pipe.....	Canalisation .....	Rohrleitung .....	파이프 .....	Canalización.....		
4	VOE 14504183	1				Bracket.....	Console.....	Konsole .....	브라켓 .....	Ménsula.....		
5	VOE 978939	1				Screw .....	Vis .....	Schraube .....	스크류 .....	Tornillo.....		
6	VOE 14880160	1				Hose.....	Durit .....	Schlauch .....	호스 .....	Tube flexible.....		
7	VOE 14880159	1				Hose.....	Durit .....	Schlauch .....	호스 .....	Tube flexible.....		
8	VOE 967636	2				Screw .....	Vis .....	Schraube .....	스크류 .....	Tornillo.....		
9	SA 9011-11007	8				Bolt.....	Boulon.....	Bolzen .....	볼트 .....	Perno.....		
10	VOE 955926	1				Spring Washer .....	Rondelle ressort.....	Federscheibe.....	스프링 와셔 .....	Arandela resorte.....		
11	SA 9016-11207	4				Bolt.....	Boulon.....	Bolzen .....	볼트 .....	Perno.....		
12	SA 9016-21011	4				Bolt.....	Boulon.....	Bolzen .....	볼트 .....	Perno.....		
13	VOE 955923	4				Washer.....	Rondelle.....	Scheibe .....	와셔 .....	Arandela.....		
14	SA 9312-10450	4				Clamp.....	Pince Serrage .....	Klemme .....	클램프 .....	Abrazadera.....		
15	SA 9372-42835	1				Clamp.....	Pince Serrage .....	Klemme .....	클램프 .....	Abrazadera.....		
16	SA 9425-51022	4				Flange.....	Flasque .....	Flansch .....	플랜지 .....	Brida.....		
17	SA 9444-10313	1				Rubber Hose.....	Durit Caoutcho.....	Gummischlauch .....	고무 호스 .....	Manguera.....		
18	VOE 947167	4				Screw .....	Vis .....	Schraube .....	스크류 .....	Tornillo.....		
19	SA 9512-02018	2				O-ring.....	Joint Torique .....	O-ring .....	오링 .....	Junta torica.....		
20	SA 9512-02214	2				O-ring.....	Joint Torique .....	O-ring .....	오링 .....	Junta torica.....		
21	SA 9512-02219	2				O-ring.....	Joint Torique .....	O-ring .....	오링 .....	Junta torica.....		
22	SA 9512-02232	1				O-ring.....	Joint Torique .....	O-ring .....	오링 .....	Junta torica.....		
23	VOE 955922	18				Spring Washer .....	Rondelle ressort.....	Federscheibe.....	스프링 와셔 .....	Arandela resorte.....		

1	8277784	<b>Sistema hidráulico, depósito hydr. a bomba hydr.</b> 유압 배관 , 유압 탱크에서 펌프 <b>Hydraulikanlage, von Hydrauliktank zu Hydraulikpumpe</b> <b>Syst. hydr, rés. hydraulique vers pompe hydraulique</b> <b>Hydraulic system, hydraulic tank to hydraulic pump</b>	Catalogue id	Group
2			<b>56141</b>	<b>911</b>
3			Illustr. No	Section
4			<b>TA205</b>	<b>600</b>
5			Issue	Page
			<b>VOE 7414356141</b>	<b>389</b>

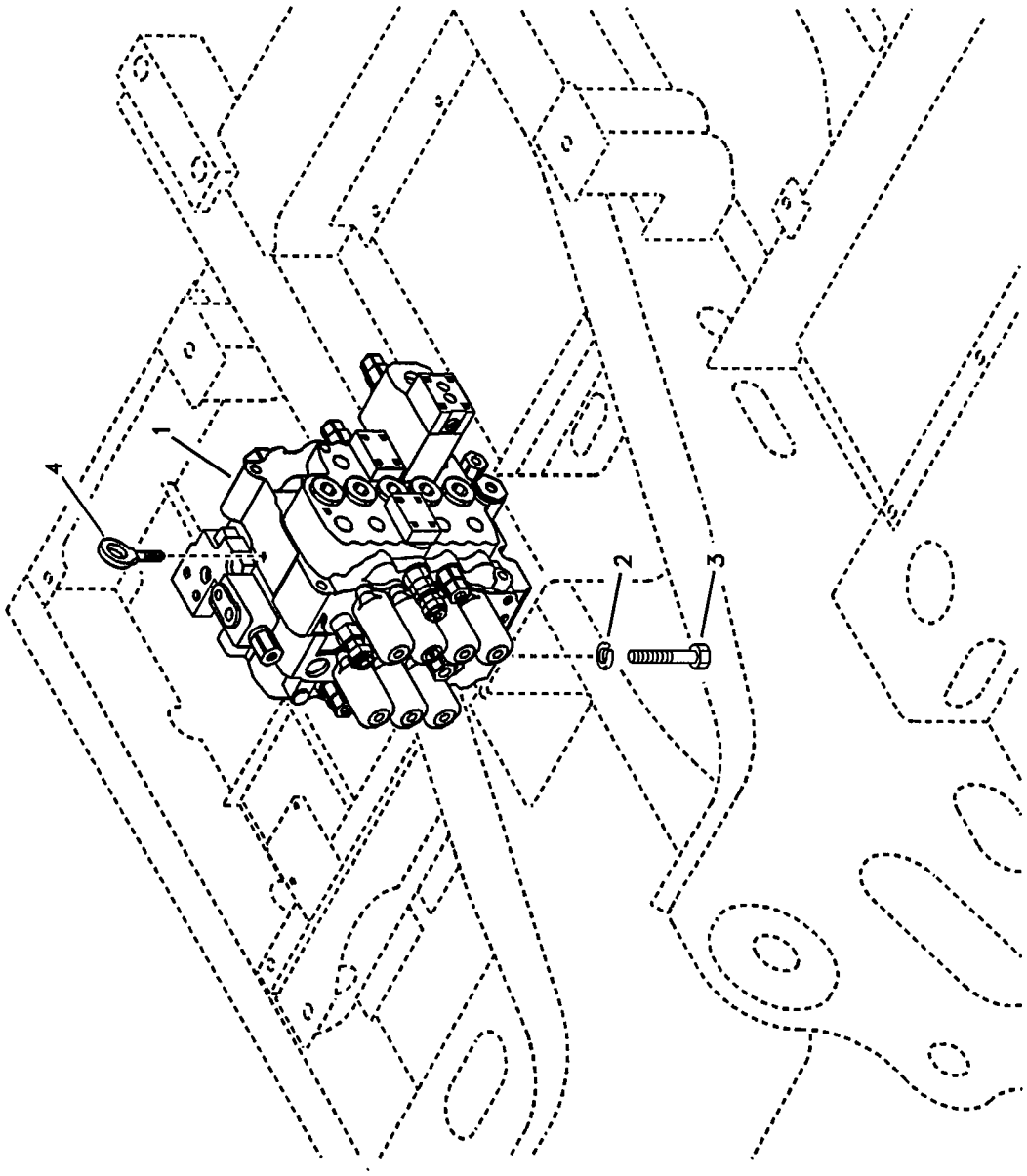


Fig.	Part No.	Quantity			P S	K I T	Description	Dénomination	Bezeichnung	품명	Denominación	Notes
		1	2	3								
1	<b>VOE 14512144</b>	1					Control Valve .....	Valve Controle .....	Steuerventil .....	제어 밸브 .....	Valvula Control.....	See group 912, Page 393
	<b>VOE 14505323</b>		1				Control Valve .....	Valve Controle .....	Steuerventil .....	제어 밸브 .....	Valvula Control.....	See group 912, Page 409
2	<b>VOE 955923</b>	4	4				Washer.....	Rondelle.....	Scheibe .....	와셔 .....	Arandela.....	
3	<b>VOE 978932</b>	4	4				Screw .....	Vis .....	Schraube .....	스크류 .....	Tornillo.....	
4	<b>SA 9031-11200</b>		1				Eye Bolt.....	Boulon Oeillet.....	Ringschraube .....	아이 볼트 .....	Perno De Aro.....	

1	<b>8277807</b>	<b>Válvula de mando con piezas se montaje</b> <b>제어밸브 및 장착 부품</b> <b>Steuerventil mit Anbauteilen</b> <b>Valve de commande avec pièces de montage</b> <b>Control valve with fitting parts</b>	Catalogue id	Group
2	<b>8277808</b>		<b>56141</b>	<b>912</b>
3			Illustr. No	Section
4			<b>TA206</b>	<b>100</b>
5			Issue	Page
		<b>VOE 7414356141</b>	<b>391</b>	



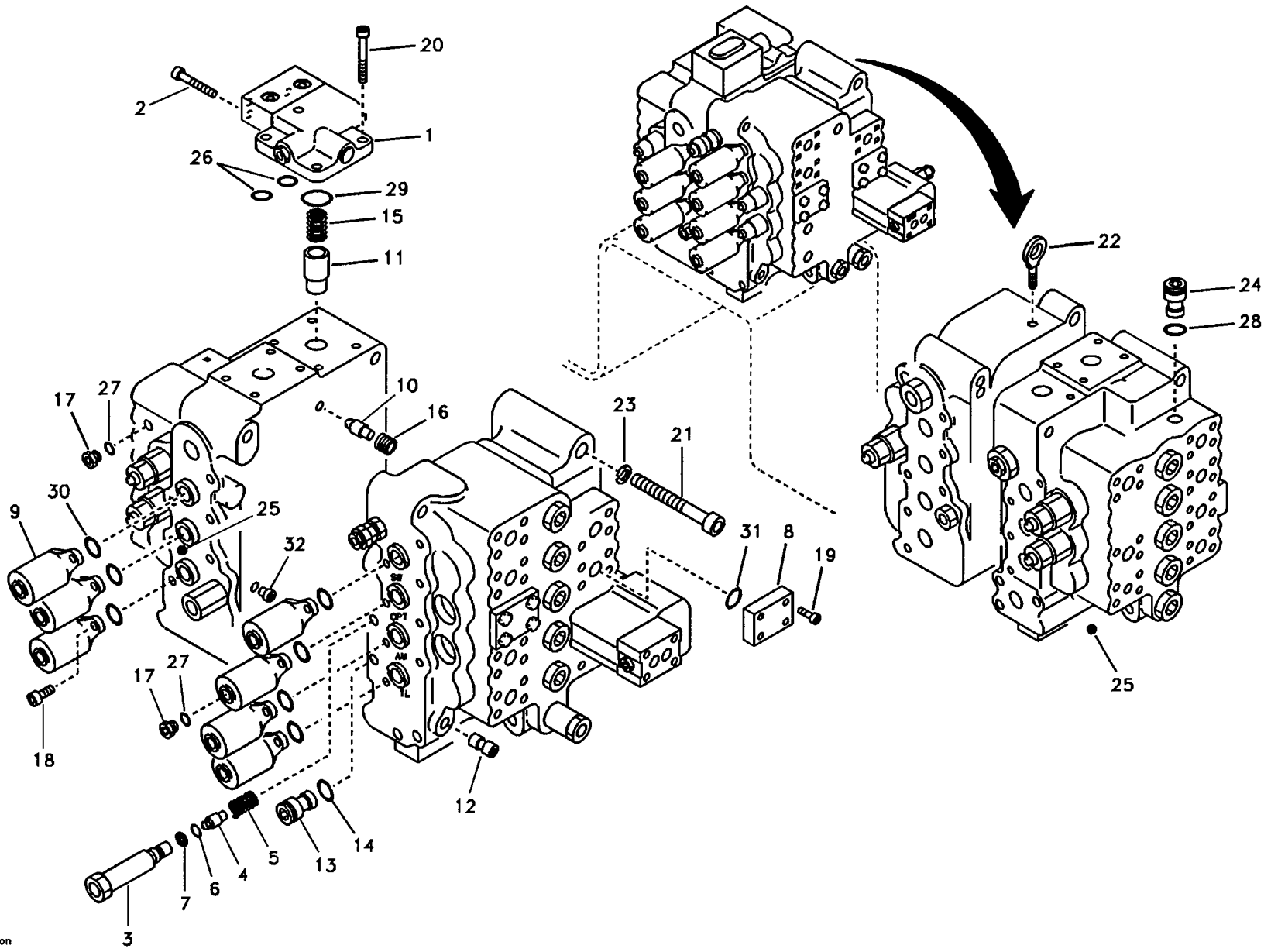


Fig.	Part No.	Quantity			P S	K I T	Description	Dénomination	Bezeichnung	품명	Denominación	Notes
		1	2	3								
	VOE 14512144	1					Control Valve .....	Valve Controle .....	Steuerventil .....	제어 밸브 .....	Valvula Control.....	
1	SA 7270-11050	1					•Valve .....	•Soupape .....	•Ventil .....	•밸브 .....	•Valvula.....	
2	SA 9016-20511	3					•Bolt .....	•Boulon .....	•Bolzen.....	•볼트 .....	•Perno.....	
3	SA 7273-10380	1					•Cap .....	•Chapeau .....	•Kappe .....	•캡 .....	•Caperuza.....	
4	SA 7273-10140	1					•Stay .....	•Tirant.....	•Strebe .....	•스테인 .....	•Barra.....	
5	SA 7273-10560	1					•Spring .....	•Ressort .....	•Feder.....	•스프링 .....	•Muelle.....	
6	SA 9511-12012	1			K		•O-ring.....	•Joint Torique .....	•O-ring.....	•오링 .....	•Junta torica.....	
7	SA 9566-10120	1			K		•Ring .....	•Anneau .....	•Ring .....	•링 .....	•Anillo.....	
8	SA 7273-01622	2					•Flange.....	•Flasque .....	•Flansch .....	•플랜지 .....	•Brida.....	
9	SA 7273-10010	7					•Cap .....	•Chapeau .....	•Kappe .....	•캡 .....	•Caperuza.....	
10	SA 7273-10120	1					•Stay .....	•Tirant.....	•Strebe .....	•스테인 .....	•Barra.....	
11	SA 7273-10200	1					•Stay .....	•Tirant.....	•Strebe .....	•스테인 .....	•Barra.....	
12	VOE 14510988	1					•Orifice .....	•Orifice .....	•Dusenbohrung .....	•오리피스 .....	•Orificio.....	
13	SA 7273-10340	1					•Cap .....	•Chapeau .....	•Kappe .....	•캡 .....	•Caperuza.....	
14	SA 9511-12021	1			K		•O-ring.....	•Joint Torique .....	•O-ring.....	•오링 .....	•Junta torica.....	
15	SA 7273-10500	1					•Spring .....	•Ressort .....	•Feder.....	•스프링 .....	•Muelle.....	
16	SA 7273-10550	1					•Spring .....	•Ressort .....	•Feder.....	•스프링 .....	•Muelle.....	
17	SA 7273-10751	2					•Cap .....	•Chapeau .....	•Kappe .....	•캡 .....	•Caperuza.....	
18	SA 9016-11005	14					•Bolt .....	•Boulon.....	•Bolzen.....	•볼트 .....	•Perno.....	
19	SA 9016-11007	8					•Bolt .....	•Boulon.....	•Bolzen.....	•볼트 .....	•Perno.....	
20	SA 9016-11206	4					•Bolt .....	•Boulon.....	•Bolzen.....	•볼트 .....	•Perno.....	
21	SA 9016-21419	7					•Bolt .....	•Boulon.....	•Bolzen.....	•볼트 .....	•Perno.....	
22	SA 9031-11200	1					•Eye Bolt .....	•Boulon Oeillet .....	•Ringschraube.....	•아이 볼트.....	•Perno De Aro.....	
23	SA 9213-14000	7					•Washer .....	•Rondelle.....	•Scheibe .....	•와셔 .....	•Arandela.....	
24	SA 9415-11032	1					•Plug .....	•Bouchon.....	•Stopfen .....	•플러그 .....	•Tapon.....	
25	SA 9446-30600	9					•Plug .....	•Bouchon.....	•Stopfen .....	•플러그 .....	•Tapon.....	
26	SA 9511-12010	2			K		•O-ring.....	•Joint Torique .....	•O-ring.....	•오링 .....	•Junta torica.....	
27	SA 9511-12011	2			K		•O-ring.....	•Joint Torique .....	•O-ring.....	•오링 .....	•Junta torica.....	
28	SA 9511-12014	1			K		•O-ring.....	•Joint Torique .....	•O-ring.....	•오링 .....	•Junta torica.....	
29	SA 9511-12034	1			K		•O-ring.....	•Joint Torique .....	•O-ring.....	•오링 .....	•Junta torica.....	

1	8277807	<b>Válvula de control principal, válvula de alivio y retención de pluma.</b> 제어밸브 , 릴리프 밸브 및 붐 홀딩 <b>Steuerventilblock, Überdruckventil und Auslegerhalter</b> <b>Valve de commande principale, détenteur et fixation de flèche.</b> <b>Main control valve, relife valve and boom holding</b>	Catalogue id	Group
2			<b>56141</b>	<b>912</b>
3			Illustr. No	Section
4			<b>TA207</b>	<b>200</b>
5			Issue	Page
		<b>VOE 7414356141</b>	<b>393</b>	

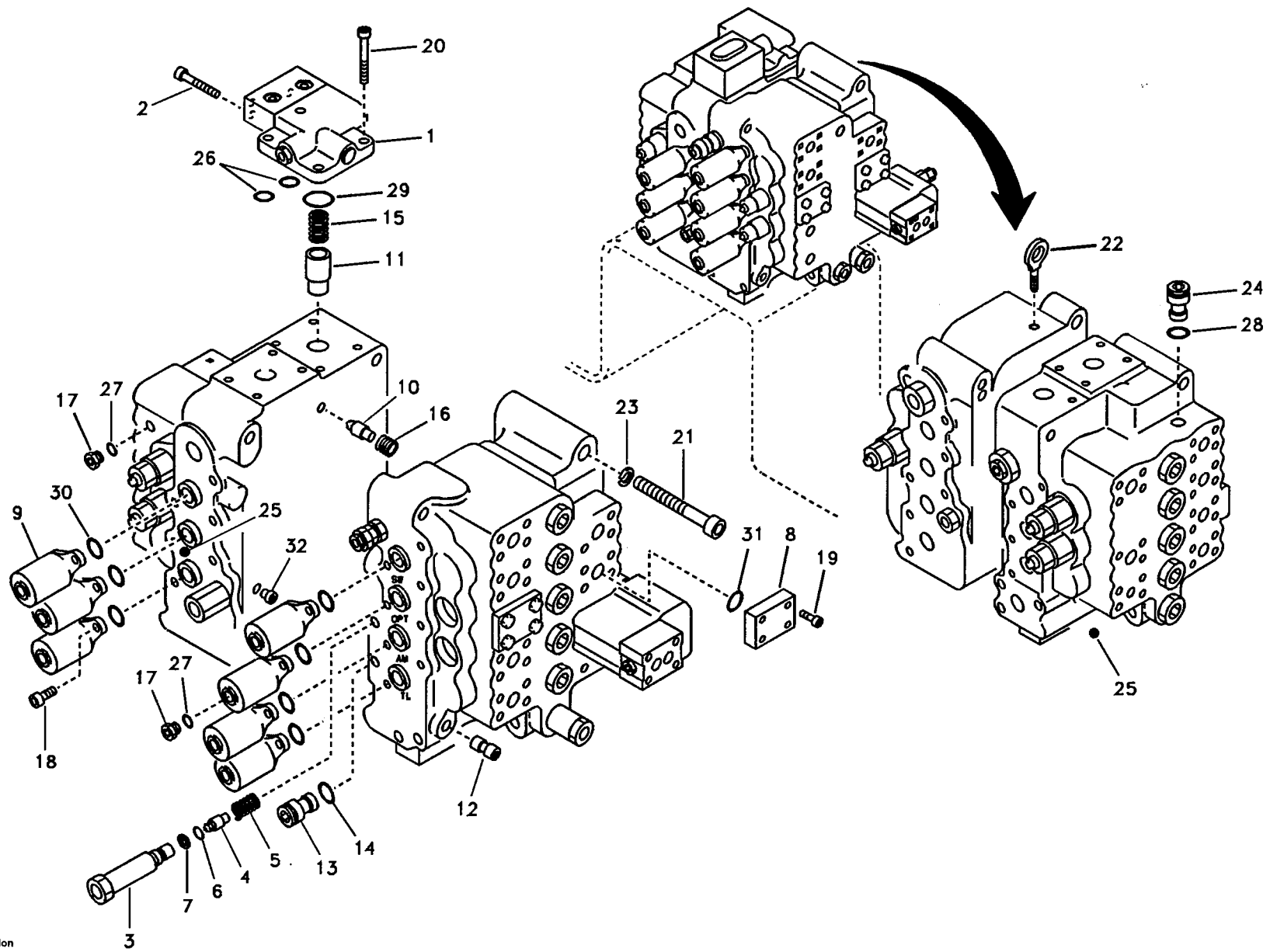


Fig.	Part No.	Quantity			P S	K I T	Description	Dénomination	Bezeichnung	품명	Denominación	Notes
		1	2	3								
30	SA 9512-02131	7				K	•O-ring.....	•Joint Torique.....	•O-ring.....	•오링.....	•Junta torica.....	
31	SA 9512-02219	2				K	•O-ring.....	•Joint Torique.....	•O-ring.....	•오링.....	•Junta torica.....	
32	SA 7273-10930	1					•Screw.....	•Vis.....	•Schraube.....	•스크류.....	•Tornillo.....	
100	VOE 14500033	1				SS	Sealing Kit.....	Jeu Joints.....	Dichtungssatz.....	시일 키트.....	Juego Retenes.....	

1	8277807	<b>Válvula de control principal, válvula de alivio y retención de pluma.</b> 제어밸브, 릴리프 밸브 및 붐 홀딩 <b>Steuerventilblock, Überdruckventil und Auslegerhalter</b> <b>Valve de commande principale, détenteur et fixation de flèche.</b> <b>Main control valve, relife valve and boom holding</b>	Catalogue id	Group
2			<b>56141</b>	<b>912</b>
3			Illustr. No	Section
4			<b>TA207</b>	<b>200</b>
5			Issue	Page
			<b>VOE 7414356141</b>	<b>395</b>

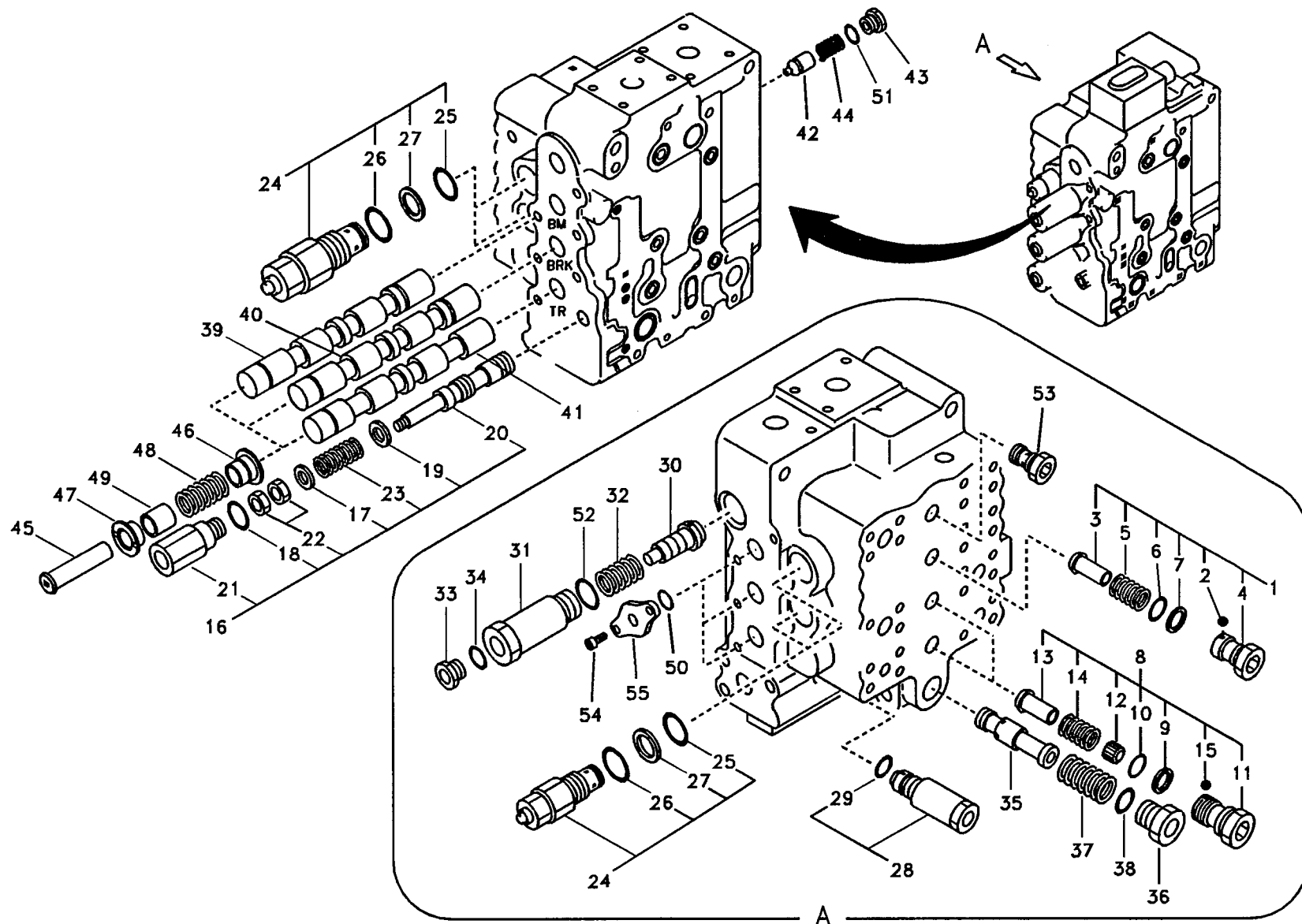


Fig.	Part No.	Quantity			P S	K I T	Description	Dénomination	Bezeichnung	품명	Denominación	Notes
		1	2	3								
	VOE 14512144	1				Control Valve .....	Valve Controle .....	Steuerventil .....	제어 밸브 .....	Valvula Control.....		
1	SA 7270-11040	1				•Valve.....	•Soupape .....	•Ventil.....	•밸브 .....	•Valvula.....		
2	SA 7273-10790	1				••Adhesive.....	••Adhesif.....	••Klebstoff.....	••접착제 .....	••Adhesivo.....		
3	SA 7273-10110	1				••Stay .....	••Tirant .....	••Strebe .....	••스테인 .....	••Barra.....		
4	SA 7273-10350	1				••Cap.....	••Chapeau .....	••Kappe .....	••캡 .....	••Caperuza.....		
5	SA 7273-10480	1				••Spring.....	••Ressort .....	••Feder .....	••스프링 .....	••Muelle.....		
6	SA 9511-12026	1			K	••O-ring .....	••Joint Torique.....	••O-ring.....	••오링 .....	••Junta torica.....		
7	SA 9566-10260	1			K	••Ring .....	••Anneau .....	••Ring .....	••링 .....	••Anillo.....		
8	SA 7270-11080	2				•Valve.....	•Soupape .....	•Ventil.....	•밸브 .....	•Valvula.....		
9	SA 9566-10260	1			K	••Ring .....	••Anneau .....	••Ring .....	••링 .....	••Anillo.....		
10	SA 9511-12026	1			K	••O-ring .....	••Joint Torique.....	••O-ring.....	••오링 .....	••Junta torica.....		
11	SA 7273-10430	1				••Cap.....	••Chapeau .....	••Kappe .....	••캡 .....	••Caperuza.....		
12	SA 7273-10100	1				••Stay .....	••Tirant .....	••Strebe .....	••스테인 .....	••Barra.....		
13	SA 7273-10110	1				••Stay .....	••Tirant .....	••Strebe .....	••스테인 .....	••Barra.....		
14	SA 7273-10480	1				••Spring.....	••Ressort .....	••Feder .....	••스프링 .....	••Muelle.....		
15	SA 7273-10790	1				••Adhesive.....	••Adhesif.....	••Klebstoff.....	••접착제 .....	••Adhesivo.....		
16		1			NS	•Spool .....	•Bobine.....	•Schieber.....	•스풀 .....	•Bobina.....		
17	SA 7273-10690	1				••Shim .....	••Cale Reglage.....	••Nachstellblech .....	••심 .....	••Cuna de calzar.....		
18	SA 9511-12021	1			K	••O-ring .....	••Joint Torique.....	••O-ring.....	••오링 .....	••Junta torica.....		
19	SA 9211-10000	1				••Washer .....	••Rondelle .....	••Scheibe.....	••와셔 .....	••Arandela.....		
20	SA 7272-03121	1				••Spool .....	••Bobine .....	••Schieber .....	••스풀 .....	••Bobina.....		
21		1			NS	••Cap.....	••Chapeau .....	••Kappe .....	••캡 .....	••Caperuza.....		
22	SA 9114-10800	2				••Lock Nut .....	••Contre-ecrou.....	••Sicher Mutter .....	••록 너트 .....	••Contratuerca.....		
23	SA 7273-10540	1				••Spring.....	••Ressort .....	••Feder .....	••스프링 .....	••Muelle.....		
24	SA 7270-30160	4				•Valve.....	•Soupape .....	•Ventil.....	•밸브 .....	•Valvula.....		
25	SA 9511-12016	1			K	••O-ring .....	••Joint Torique.....	••O-ring.....	••오링 .....	••Junta torica.....		
26	SA 9511-42912	1			K	••O-ring .....	••Joint Torique.....	••O-ring.....	••오링 .....	••Junta torica.....		
27	SA 9566-10160	1			K	••Ring .....	••Anneau .....	••Ring .....	••링 .....	••Anillo.....		
28	SA 7270-11101	1				•Valve.....	•Soupape .....	•Ventil.....	•밸브 .....	•Valvula.....		
29	SA 9511-12021	2			K	••O-ring .....	••Joint Torique.....	••O-ring.....	••오링 .....	••Junta torica.....		

1	8277807	<b>Válvula de control principal, pluma, cazo y traslación Rh</b> <b>제어밸브 , 붐 및 버킷 및 우측 주행 모터</b> <b>Steuerventilblock, Ausleger, Schaufel und Fahren rechts</b> <b>Valve de commande principale, flèche et godet et conduite Rh</b> <b>Main control valve, boom and bucket and travel Rh</b>	Catalogue id	Group
2			<b>56141</b>	<b>912</b>
3			Illustr. No	Section
4			<b>TA208</b>	<b>300</b>
5			Issue	Page
			<b>VOE 7414356141</b>	<b>397</b>

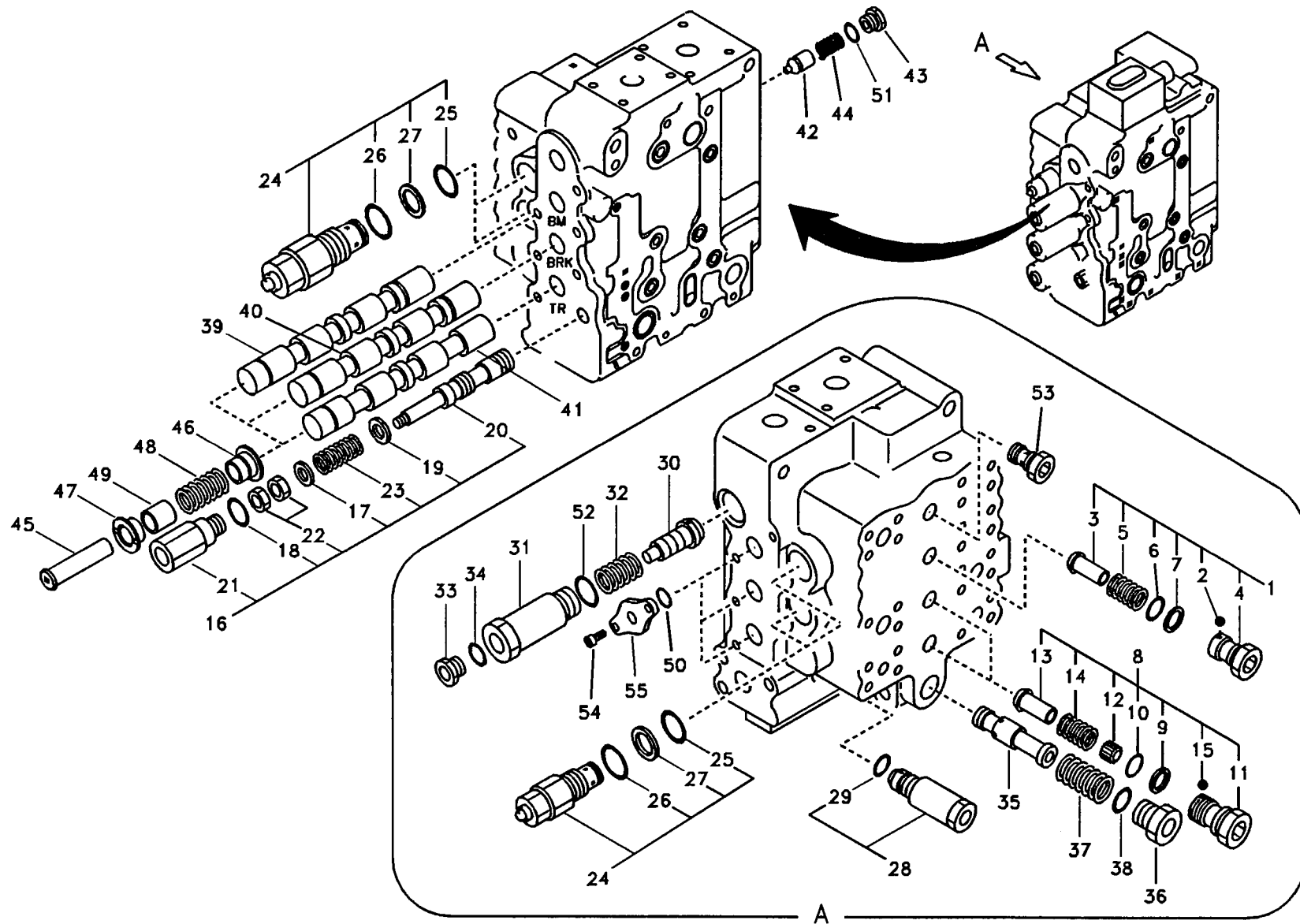


Fig.	Part No.	Quantity			P S	K I T	Description	Dénomination	Bezeichnung	품명	Denominación	Notes
		1	2	3								
30	SA 7273-10192	1				•Stay .....	•Tirant.....	•Strebe .....	•스테인 .....	•Barra.....		
31	SA 7273-10310	1				•Sleeve.....	•Manchon .....	•Muffe.....	•슬리브 .....	•Manguito.....		
32	SA 7273-10651	1				•Spring .....	•Ressort .....	•Feder.....	•스프링 .....	•Muelle.....		
33	SA 7273-10751	1				•Cap .....	•Chapeau .....	•Kappe .....	•캡.....	•Caperuza.....		
34	SA 9511-12011	1				•O-ring.....	•Joint Torique .....	•O-ring.....	•오링 .....	•Junta torica.....		
35	SA 7272-03100	1				•Spool .....	•Bobine.....	•Schieber.....	•스풀 .....	•Bobina.....		
36	SA 7273-10290	1				•Cap .....	•Chapeau .....	•Kappe .....	•캡.....	•Caperuza.....		
37	SA 7273-10611	1				•Spring .....	•Ressort .....	•Feder.....	•스프링 .....	•Muelle.....		
38	SA 9511-12029	1			K	•O-ring.....	•Joint Torique .....	•O-ring.....	•오링 .....	•Junta torica.....		
39		1			NS	•Slide.....	•Tiroir.....	•Schieber.....	•슬라이드 .....	•Corredera.....		
40		1			NS	•Slide.....	•Tiroir.....	•Schieber.....	•슬라이드 .....	•Corredera.....		
41		1			NS	•Spool .....	•Bobine.....	•Schieber.....	•스풀 .....	•Bobina.....		
42	SA 7273-10180	1				•Stay .....	•Tirant.....	•Strebe .....	•스테인 .....	•Barra.....		
43	SA 7273-10360	1				•Cap .....	•Chapeau .....	•Kappe .....	•캡.....	•Caperuza.....		
44	SA 7273-10570	1				•Spring .....	•Ressort .....	•Feder.....	•스프링 .....	•Muelle.....		
45	SA 7273-10390	3				•Retainer.....	•Retenue .....	•Halter .....	•리테이너.....	•Soporte.....		
46	SA 7273-10460	3				•Guide .....	•Rail.....	•Führung.....	•가이드 .....	•Guia.....		
47	SA 7273-10470	3				•Guide .....	•Rail.....	•Führung.....	•가이드 .....	•Guia.....		
48	SA 7273-10640	3				•Spring .....	•Ressort .....	•Feder.....	•스프링 .....	•Muelle.....		
49	SA 7273-10740	3				•Spacer .....	•Partie Interme. ....	•Zwischenstück .....	•스페이서.....	•Espaciador.....		
50	SA 9512-02127	3			K	•O-ring.....	•Joint Torique .....	•O-ring.....	•오링 .....	•Junta torica.....		
51	SA 9511-12014	1			K	•O-ring.....	•Joint Torique .....	•O-ring.....	•오링 .....	•Junta torica.....		
52	SA 9511-12021	1			K	•O-ring.....	•Joint Torique .....	•O-ring.....	•오링 .....	•Junta torica.....		
53	SA 7273-10320	1				•Cap .....	•Chapeau .....	•Kappe .....	•캡.....	•Caperuza.....		
54	SA 9016-11005	1				•Bolt .....	•Boulon.....	•Bolzen.....	•볼트 .....	•Perno.....		
55	SA 7273-10020	3				•Plate .....	•Plaque.....	•Platte.....	•플레이트.....	•Placa.....		
100	VOE 14500033	1			SS	Sealing Kit.....	Jeu Joints.....	Dichtungssatz .....	시일 키트 .....	Juego Retenes.....		

1	8277807	<b>Válvula de control principal, pluma, cazo y traslación Rh</b> 제어밸브, 붐 및 버킷 및 우측 주행 모터 <b>Steuerventilblock, Ausleger, Schaufel und Fahren rechts</b> <b>Valve de commande principale, flèche et godet et conduite Rh</b> <b>Main control valve, boom and bucket and travel Rh</b>	Catalogue id	Group
2			<b>56141</b>	<b>912</b>
3			Illustr. No	Section
4			<b>TA208</b>	<b>300</b>
5			Issue	Page
		<b>VOE 7414356141</b>	<b>399</b>	



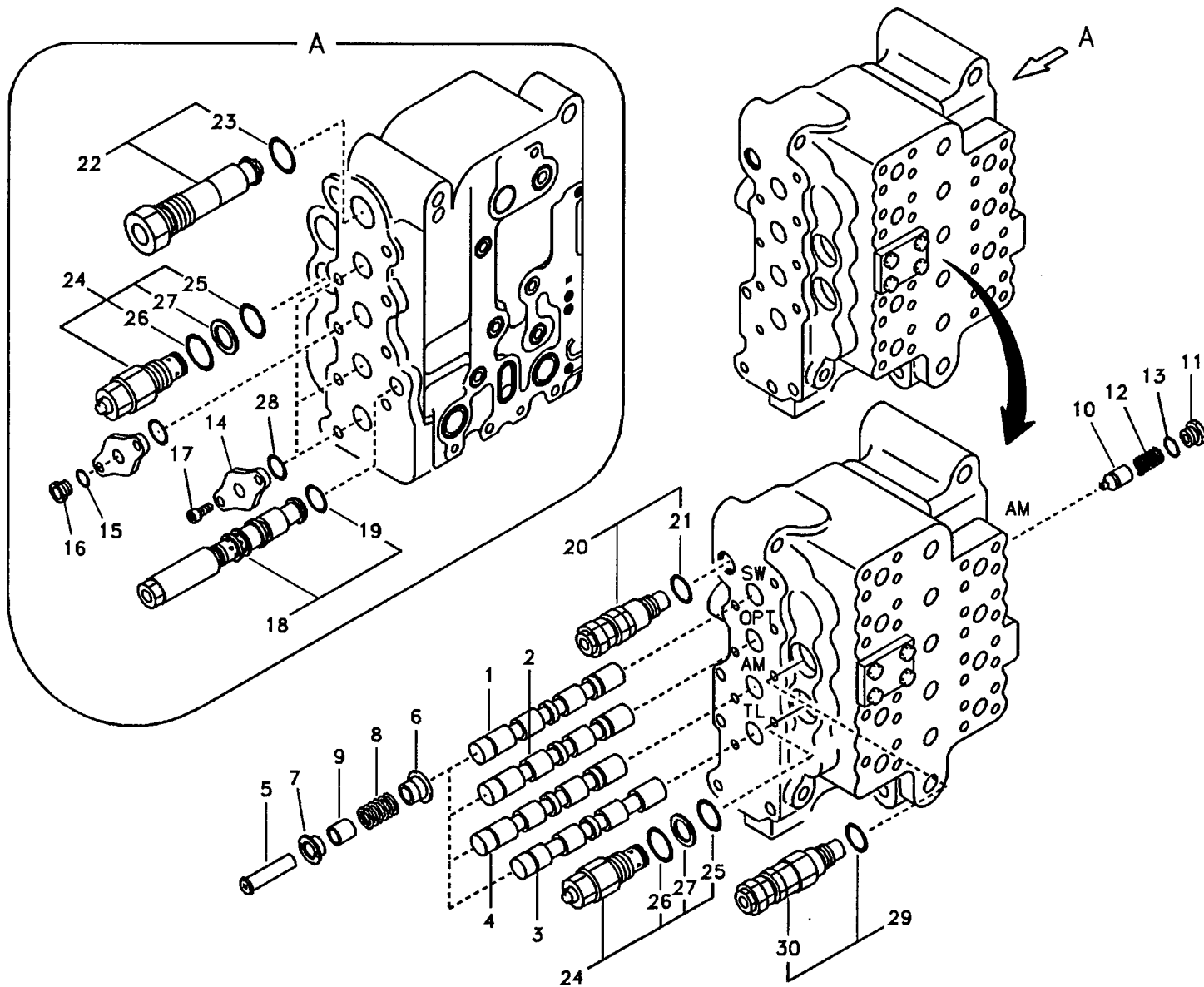


Fig.	Part No.	Quantity			P S	K T	Description	Dénomination	Bezeichnung	품명	Denominación	Notes
		1	2	3								
	VOE 14512144	1					Control Valve .....	Valve Controle .....	Steuerventil .....	제어 밸브 .....	Valvula Control.....	
1		1			NS		•Spool .....	•Bobine.....	•Schieber.....	•스풀 .....	•Bobina.....	
2		1			NS		•Spool .....	•Bobine.....	•Schieber.....	•스풀 .....	•Bobina.....	
3		1			NS		•Spool .....	•Bobine.....	•Schieber.....	•스풀 .....	•Bobina.....	
4		1			NS		•Spool .....	•Bobine.....	•Schieber.....	•스풀 .....	•Bobina.....	
5	SA 7273-10390	4					•Retainer.....	•Retenue .....	•Halte .....	•리테이너 .....	•Soporte.....	
6	SA 7273-10460	4					•Guide .....	•Rail.....	•Führung.....	•가이드 .....	•Guia.....	
7	SA 7273-10470	4					•Guide .....	•Rail.....	•Führung.....	•가이드 .....	•Guia.....	
8	SA 7273-10640	1					•Spring .....	•Ressort .....	•Feder.....	•스프링 .....	•Muelle.....	
9	SA 7273-10740	4					•Spacer .....	•Partie Interme. ....	•Zwischenstück .....	•스페이서 .....	•Espaciador.....	
10	SA 7273-10180	1					•Stay .....	•Tirant.....	•Strebe .....	•스테이 .....	•Barra.....	
11	SA 7273-10360	1					•Cap .....	•Chapeau .....	•Kappe .....	•캡 .....	•Caperuza.....	
12	SA 7273-10570	1					•Spring .....	•Ressort .....	•Feder.....	•스프링 .....	•Muelle.....	
13	SA 9511-12014	1			K		•O-ring.....	•Joint Torique.....	•O-ring.....	•오링 .....	•Junta torica.....	
14	SA 7273-10020	4					•Plate .....	•Plaque.....	•Platte.....	•플레이트 .....	•Placa.....	
15	SA 9511-12011	1			K		•O-ring.....	•Joint Torique.....	•O-ring.....	•오링 .....	•Junta torica.....	
16	SA 7273-10410	1					•Guard.....	•Protection.....	•Schutz.....	•가드 .....	•Proteccion.....	
17	SA 9016-11005	8					•Bolt .....	•Boulon.....	•Bolzen.....	•볼트 .....	•Perno.....	
18	VOE 14514691	1					•Valve.....	•Soupape .....	•Ventil.....	•밸브 .....	•Valvula.....	
19	SA 9511-12021	1			K		•O-ring .....	•Joint Torique.....	•O-ring.....	•오링 .....	•Junta torica.....	
20	VOE 14513267	1					•Relief Valve .....	•Limiteur - pression ...	•Druckbegrenzer .....	•릴리프 밸브 .....	•Limitador presion.....	
21	SA 9511-12021	1			K		•O-ring .....	•Joint Torique.....	•O-ring.....	•오링 .....	•Junta torica.....	
22	SA 7270-11161	1					•Valve.....	•Soupape .....	•Ventil.....	•밸브 .....	•Valvula.....	
23	SA 9511-12026	1			K		•O-ring .....	•Joint Torique.....	•O-ring.....	•오링 .....	•Junta torica.....	
24	SA 7270-30160	2					•Valve.....	•Soupape .....	•Ventil.....	•밸브 .....	•Valvula.....	
25	SA 9511-12016	1			K		•O-ring .....	•Joint Torique.....	•O-ring.....	•오링 .....	•Junta torica.....	
26	SA 9511-42912	1			K		•O-ring .....	•Joint Torique.....	•O-ring.....	•오링 .....	•Junta torica.....	
27	SA 9566-10160	1					•Ring .....	•Anneau .....	•Ring .....	•링 .....	•Anillo.....	
28	SA 9512-02127	1			K		•O-ring.....	•Joint Torique.....	•O-ring.....	•오링 .....	•Junta torica.....	
29	VOE 14511623	1					•Relief Valve .....	•Limiteur - pression ...	•Druckbegrenzer .....	•릴리프 밸브 .....	•Limitador presion.....	

1	8277807	<b>Válvula de control principal, oscilación, opción, brazo y</b> <b>제어밸브, 선회 및 선택 및 디퍼 암 및 좌측 주행 모터</b> <b>Steuerventilblock, Schwenken, Option, Stiel und Fahren links</b> <b>Valve commande principale, pivotement, accessoire, bras et conduite Lh</b> <b>Main control valve, swing and option and dipper arm and travel Lh</b>	Catalogue id	Group
2			<b>56141</b>	<b>912</b>
3			Illustr. No	Section
4			<b>TA209</b>	<b>400</b>
5			Issue	Page
		<b>VOE 7414356141</b>	<b>401</b>	

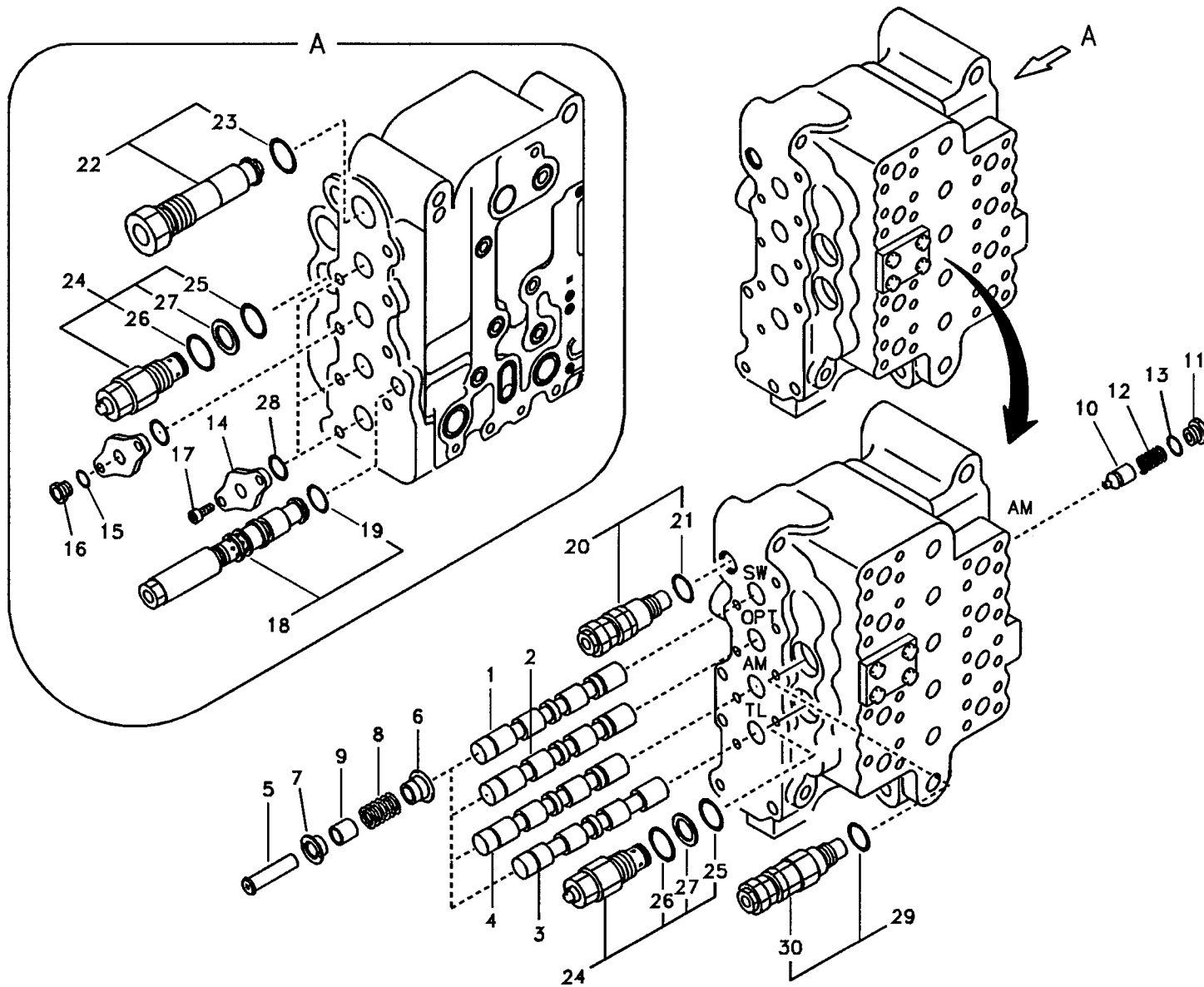


Fig.	Part No.	Quantity			P S	K I T	Description	Dénomination	Bezeichnung	품명	Denominación	Notes
		1	2	3								
30	SA 9511-12016	1					••O-ring .....	••Joint Torique.....	••O-ring.....	••오링 .....	••Junta torica.....	
100	VOE 14500033	1			SS	Sealing Kit.....	Jeu Joints.....	Dichtungssatz .....	시일 킷 .....	Juego Retenes.....		

1	8277807	<b>Válvula de control principal, oscilación, opción, brazo y</b> <b>제어밸브 , 선회 및 선택 및 디퍼 암 및 좌측 주행 모터</b> <b>Steuerventilblock, Schwenken, Option, Stiel und Fahren links</b> <b>Valve commande principale, pivotement, accessoire, bras et conduite Lh</b> <b>Main control valve, swing and option and dipper arm and travel Lh</b>	Catalogue id	Group
2			<b>56141</b>	<b>912</b>
3			Illustr. No	Section
4			<b>TA209</b>	<b>400</b>
5			Issue	Page
			<b>VOE 7414356141</b>	<b>403</b>

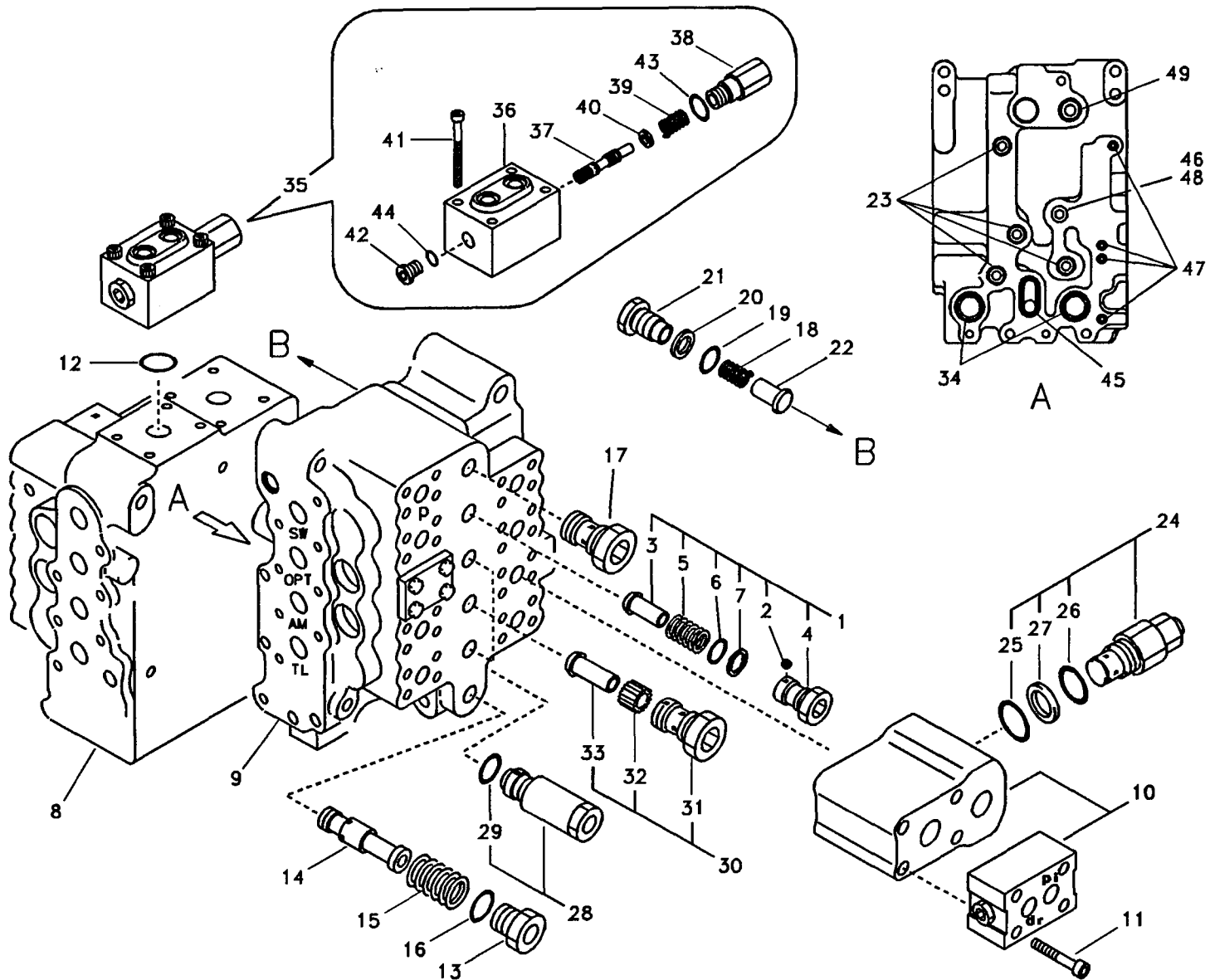


Fig.	Part No.	Quantity			P S	K T	Description	Dénomination	Bezeichnung	품명	Denominación	Notes
		1	2	3								
	VOE 14512144	1					Control Valve .....	Valve Controle .....	Steuerventil .....	제어 밸브 .....	Valvula Control.....	
1	SA 7270-11040	1					•Valve.....	•Soupape .....	•Ventil.....	• 밸브 .....	•Valvula.....	
2	SA 7273-10790	1					••Adhesive.....	••Adhesif.....	••Klebstoff.....	•• 접착제 .....	••Adhesivo.....	
3	SA 7273-10110	1					••Stay .....	••Tirant .....	••Strebe .....	•• 스테이 .....	••Barra.....	
4	SA 7273-10350	1					••Cap.....	••Chapeau .....	••Kappe .....	•• 캡 .....	••Caperuza.....	
5	SA 7273-10480	1					••Spring .....	••Ressort .....	••Feder .....	•• 스프링 .....	••Muelle.....	
6	SA 9511-12026	1			K		••O-ring .....	••Joint Torique.....	••O-ring.....	•• 오링 .....	••Junta torica.....	
7	SA 9566-10260	1			K		••Ring .....	••Anneau .....	••Ring .....	•• 링 .....	••Anillo.....	
8		1			NS		•Body .....	•Carcasse .....	•Rumpf .....	• 본체 .....	•Cuerpo.....	
9		1			NS		•Body .....	•Carcasse .....	•Rumpf .....	• 본체 .....	•Cuerpo.....	
10	SA 7270-11000	1					•Valve.....	•Soupape .....	•Ventil.....	• 밸브 .....	•Valvula.....	
11	SA 9016-21020	4					•Bolt .....	•Boulon.....	•Bolzen.....	• 볼트 .....	•Perno.....	
12	SA 9511-12018	1			K		•O-ring.....	•Joint Torique .....	•O-ring.....	• 오링 .....	•Junta torica.....	
13	SA 7273-10290	1					•Cap .....	•Chapeau .....	•Kappe .....	• 캡 .....	•Caperuza.....	
14	SA 7272-03100	1					•Spool .....	•Bobine.....	•Schieber.....	• 스펴 .....	•Bobina.....	
15	SA 7273-10611	1					•Spring .....	•Ressort .....	•Feder.....	• 스프링 .....	•Muelle.....	
16	SA 9511-12029	1			K		•O-ring.....	•Joint Torique .....	•O-ring.....	• 오링 .....	•Junta torica.....	
17	SA 7273-10320	1					•Cap .....	•Chapeau .....	•Kappe .....	• 캡 .....	•Caperuza.....	
18	SA 7273-10480	1					•Spring .....	•Ressort .....	•Feder.....	• 스프링 .....	•Muelle.....	
19	SA 9511-12021	1			K		•O-ring.....	•Joint Torique .....	•O-ring.....	• 오링 .....	•Junta torica.....	
20	SA 9566-10210	1					•Ring .....	•Anneau .....	•Ring.....	• 링 .....	•Anillo.....	
21	SA 7273-10330	1					•Cap .....	•Chapeau .....	•Kappe .....	• 캡 .....	•Caperuza.....	
22	SA 7273-10070	1					•Stay .....	•Tirant.....	•Strebe .....	• 스테이 .....	•Barra.....	
23	SA 9511-12022	4			K		•O-ring.....	•Joint Torique .....	•O-ring.....	• 오링 .....	•Junta torica.....	
24	SA 7270-30160	1					•Valve.....	•Soupape .....	•Ventil.....	• 밸브 .....	•Valvula.....	
25	SA 9511-12016	1			K		••O-ring .....	••Joint Torique.....	••O-ring.....	•• 오링 .....	••Junta torica.....	
26	SA 9511-42912	1			K		••O-ring .....	••Joint Torique.....	••O-ring.....	•• 오링 .....	••Junta torica.....	
27	SA 9566-10160	1			K		••Ring .....	••Anneau .....	••Ring .....	•• 링 .....	••Anillo.....	
28	SA 7270-11101	1					•Valve.....	•Soupape .....	•Ventil.....	• 밸브 .....	•Valvula.....	
29	SA 9511-12021	2			K		••O-ring .....	••Joint Torique.....	••O-ring.....	•• 오링 .....	••Junta torica.....	

1	8277807	<b>Válvula de control princ., válvula de alivio y retención de brazo</b> 제어밸브, 릴리프 밸브; 디퍼 암 홀딩 <b>Steuerventilblock, überdruckventil und Stielhalter</b> <b>Valve cde principale, détendeur et fixation balancier</b> <b>Main control valve, relief valve and dipper arm holding</b>	Catalogue id	Group
2			56141	912
3			Illustr. No	Section
4			TA210	500
5			Issue	Page
			VOE 7414356141	405

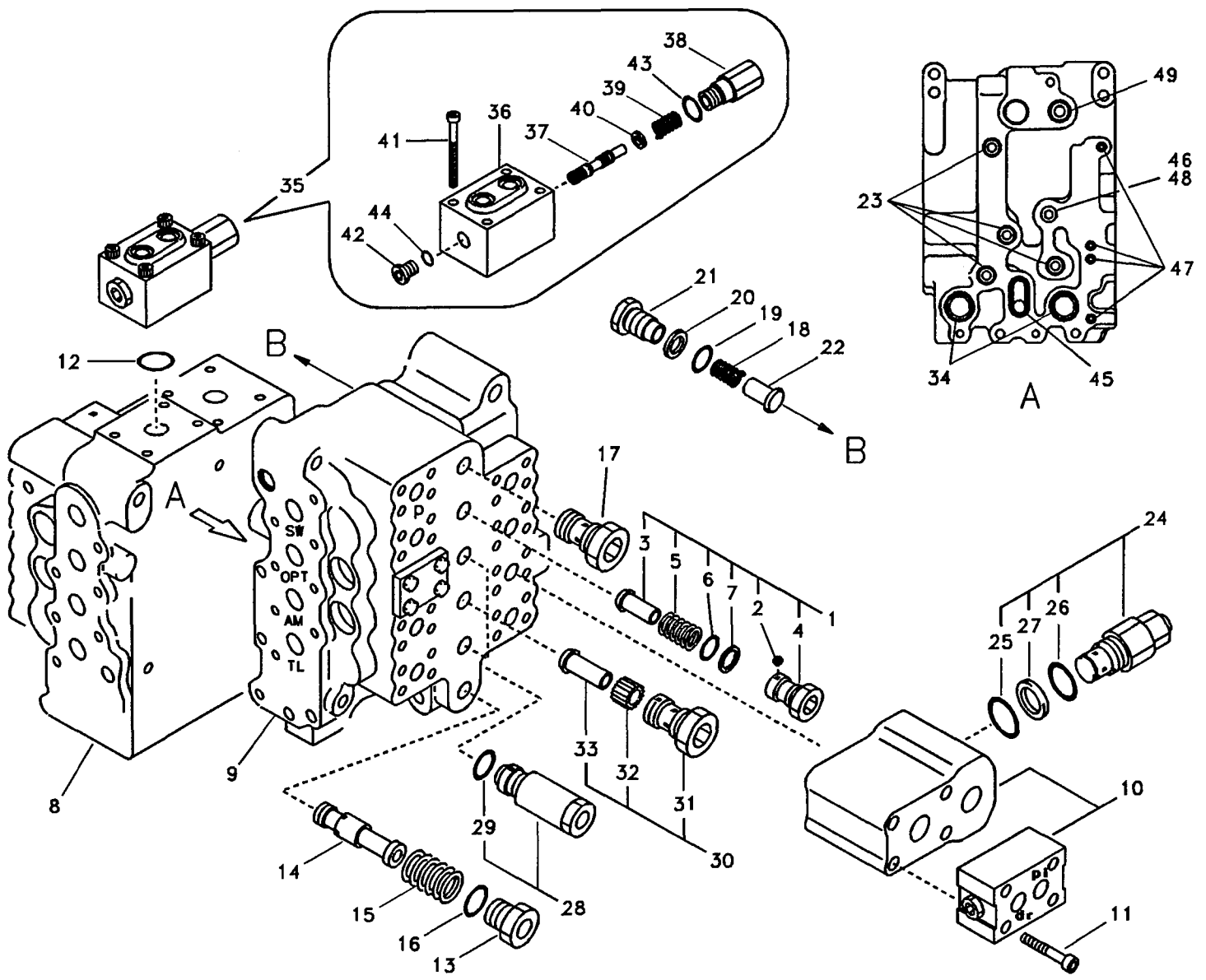


Fig.	Part No.	Quantity			P S	K I T	Description	Dénomination	Bezeichnung	품명	Denominación	Notes
		1	2	3								
30	SA 7270-11070	1					•Valve.....	•Soupape .....	•Ventil.....	• 밸브 .....	•Valvula.....	
31	SA 7273-10420	1					••Cap.....	••Chapeau .....	••Kappe .....	•• 캡 .....	••Caperuza.....	
32	SA 7273-10100	1					••Stay .....	••Tirant .....	••Strebe .....	•• 스테이 .....	••Barra.....	
33	SA 7273-10110	1					••Stay .....	••Tirant .....	••Strebe .....	•• 스테이 .....	••Barra.....	
34	SA 9511-12034	2			K		•O-ring.....	•Joint Torique .....	•O-ring.....	• 오링 .....	•Junta torica.....	
35	VOE 14513366	1					•Valve.....	•Soupape .....	•Ventil.....	• 밸브 .....	•Valvula.....	
36		1			NS		••Block.....	••Bloc.....	••Block.....	•• 블록 .....	••Bloque.....	
37		1			NS		••Spool.....	••Bobine .....	••Schieber .....	•• 스플 .....	••Bobina.....	
38		1			NS		••Cap.....	••Chapeau .....	••Kappe .....	•• 캡 .....	••Caperuza.....	
39	SA 7273-10661	1					••Spring.....	••Ressort .....	••Feder .....	•• 스프링 .....	••Muelle.....	
40	SA 7273-10730	1					••Shim .....	••Cale Reglage.....	••Nachstellblech .....	•• shim .....	••Cuna de calzar.....	
41	SA 9016-20811	1					••Bolt .....	••Boulon .....	••Bolzen.....	•• 볼트 .....	••Perno.....	
42	SA 9415-11032	1					••Plug .....	••Bouchon .....	••Stopfen .....	•• 플러그 .....	••Tapon.....	
43	SA 9511-11021	1			K		••O-ring .....	••Joint Torique.....	••O-ring.....	•• 오링 .....	••Junta torica.....	
44	SA 9511-12014	1			K		••O-ring .....	••Joint Torique.....	••O-ring.....	•• 오링 .....	••Junta torica.....	
45	SA 9512-02127	1			K		•O-ring.....	•Joint Torique .....	•O-ring.....	• 오링 .....	•Junta torica.....	
46	SA 7273-10751	1					•Cap.....	•Chapeau .....	•Kappe .....	• 캡 .....	•Caperuza.....	
47	SA 9511-12010	4			K		•O-ring.....	•Joint Torique .....	•O-ring.....	• 오링 .....	•Junta torica.....	
48	SA 9511-12011	1			K		•O-ring.....	•Joint Torique .....	•O-ring.....	• 오링 .....	•Junta torica.....	
49	SA 9512-02120	1			K		•O-ring.....	•Joint Torique .....	•O-ring.....	• 오링 .....	•Junta torica.....	
100	VOE 14500033	1			SS		Sealing Kit.....	Jeu Joints.....	Dichtungssatz .....	시일 키트 .....	Juego Retenes.....	

1	8277807	<b>Válvula de control princ., válvula de alivio y retención de brazo</b> 제어밸브, 릴리프 밸브; 디퍼 암 홀딩 <b>Steuerventilblock, überdruckventil und Stielhalter</b> <b>Valve cde principale, détendeur et fixation balancier</b> <b>Main control valve, relief valve and dipper arm holding</b>	Catalogue id	Group
2			<b>56141</b>	<b>912</b>
3			Illustr. No	Section
4			<b>TA210</b>	<b>500</b>
5			Issue	Page
			<b>VOE 7414356141</b>	<b>407</b>



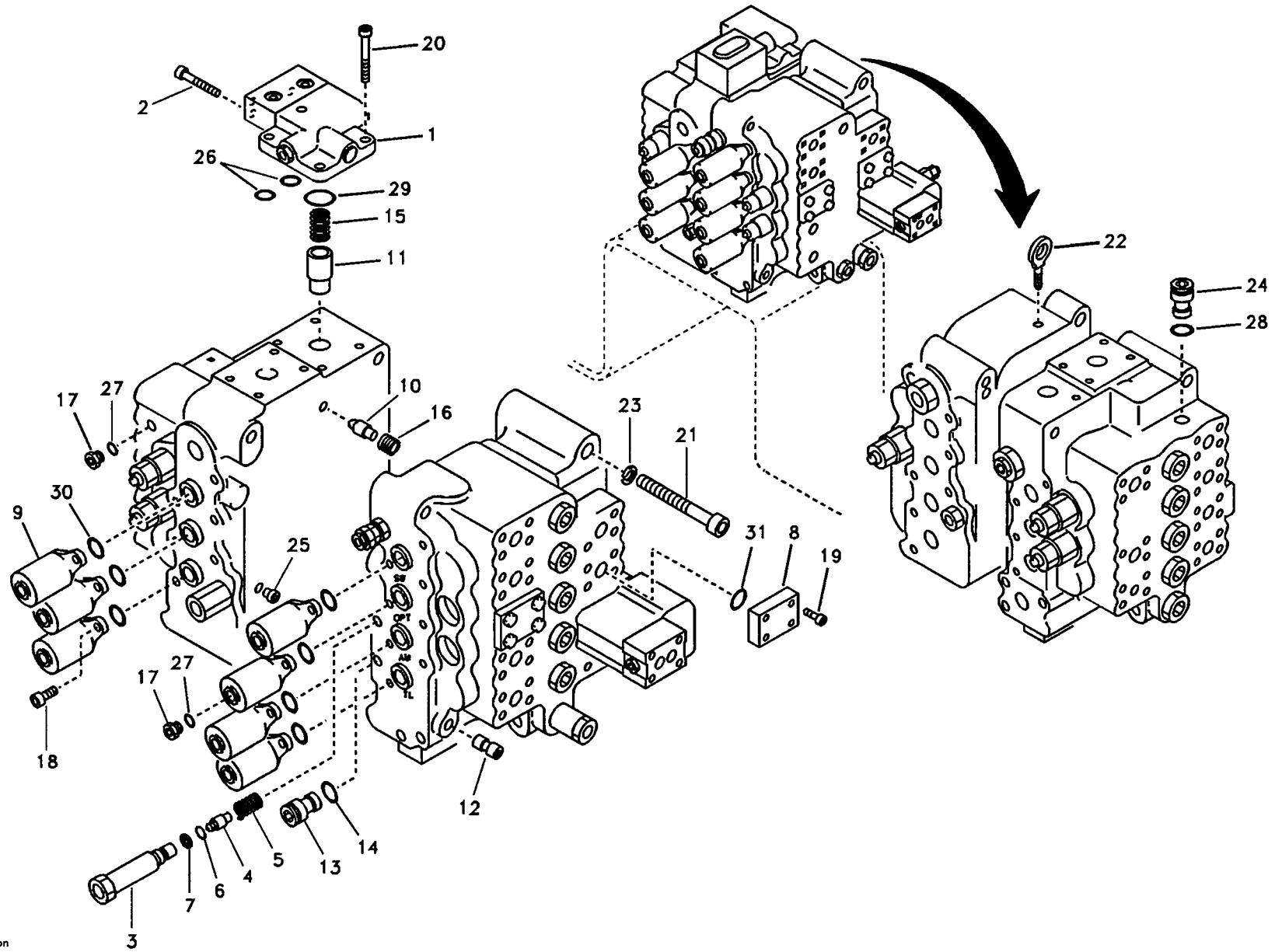


Fig.	Part No.	Quantity			P S	K I T	Description	Dénomination	Bezeichnung	품명	Denominación	Notes
		1	2	3								
	VOE 14505323	1					Control Valve .....	Valve Controle .....	Steuerventil .....	제어 밸브 .....	Valvula Control.....	
1	SA 8230-12300	1					•Cover .....	•Capot .....	•Haube .....	•커버 .....	•Capo.....	
2	SA 9016-20511	3					•Bolt .....	•Boulon.....	•Bolzen .....	•볼트 .....	•Perno.....	
3	SA 8230-12020	1					•Cap .....	•Chapeau .....	•Kappe .....	•캡 .....	•Caperuza.....	
4	SA 8230-11240	1					•Check valve .....	•Valve antiretour.....	•Rückschlagventil .....	•체크 밸브 .....	•Valvula retencion.....	
5	SA 8230-12940	1					•Spring .....	•Ressort .....	•Feder.....	•스프링 .....	•Muelle.....	
6	SA 9511-12012	1			K		•O-ring .....	•Joint Torique .....	•O-ring .....	•오링 .....	•Junta torica.....	
7	SA 9566-10120	1			K		•Ring .....	•Anneau .....	•Ring.....	•링 .....	•Anillo.....	
8	SA 8230-02350	2					•Flange.....	•Flasque .....	•Flansch .....	•플랜지 .....	•Brida.....	
9	SA 8230-10500	7					•Cover .....	•Capot .....	•Haube .....	•커버 .....	•Capo.....	
10	SA 8230-11220	1					•Check valve .....	•Valve antiretour.....	•Rückschlagventil .....	•체크 밸브 .....	•Valvula retencion.....	
11	SA 8230-11350	1					•Stay .....	•Tirant.....	•Strebe .....	•스태이 .....	•Barra.....	
12	VOE 14515183	1					•Orifice .....	•Orifice .....	•Dusenbohrung .....	•오리피스 .....	•Orificio.....	
13	VOE 14500058	1					•Cap .....	•Chapeau .....	•Kappe .....	•캡 .....	•Caperuza.....	
14	SA 9511-12021	1			K		•O-ring .....	•Joint Torique .....	•O-ring .....	•오링 .....	•Junta torica.....	
15	SA 8230-12810	1					•Spring .....	•Ressort .....	•Feder.....	•스프링 .....	•Muelle.....	
16	SA 8230-12930	1					•Spring .....	•Ressort .....	•Feder.....	•스프링 .....	•Muelle.....	
17	SA 8230-01160	2					•Cap .....	•Chapeau .....	•Kappe .....	•캡 .....	•Caperuza.....	
18	SA 9016-11005	14					•Bolt .....	•Boulon.....	•Bolzen .....	•볼트 .....	•Perno.....	
19	SA 8230-23020	8					•Bolt .....	•Boulon.....	•Bolzen .....	•볼트 .....	•Perno.....	
20	SA 9016-11206	4					•Bolt .....	•Boulon.....	•Bolzen .....	•볼트 .....	•Perno.....	
21	SA 9016-21419	7					•Bolt .....	•Boulon.....	•Bolzen .....	•볼트 .....	•Perno.....	
22	SA 9031-11200	1					•Eye Bolt .....	•Boulon Oeillet .....	•Ringschraube.....	•아이 볼트.....	•Perno De Aro.....	
23	SA 8230-23170	7					•Washer .....	•Rondelle.....	•Scheibe .....	•와셔 .....	•Arandela.....	
24	SA 9415-11032	1					•Plug .....	•Bouchon.....	•Stopfen .....	•플러그 .....	•Tapon.....	
25	VOE 14500057	9					•Orifice .....	•Orifice .....	•Dusenbohrung .....	•오리피스 .....	•Orificio.....	
26	SA 9511-12010	2			K		•O-ring .....	•Joint Torique .....	•O-ring .....	•오링 .....	•Junta torica.....	
27	SA 9511-12011	2			K		•O-ring .....	•Joint Torique .....	•O-ring .....	•오링 .....	•Junta torica.....	
28	SA 9511-12014	1			K		•O-ring .....	•Joint Torique .....	•O-ring .....	•오링 .....	•Junta torica.....	
29	SA 9511-12034	1			K		•O-ring .....	•Joint Torique .....	•O-ring .....	•오링 .....	•Junta torica.....	

1	8277808	<b>Válvula de control principal, válvula de alivio y retención de pluma.</b> 제어밸브 , 릴리프 밸브 및 붐 홀딩 <b>Steuerventilblock, Überdruckventil und Auslegerhalter</b> <b>Valve de commande principale, détenteur et fixation de flèche.</b> <b>Main control valve, relife valve and boom holding</b>	Catalogue id	Group
2			56141	912
3			Illustr. No	Section
4			TA211	600
5			Issue	Page
			VOE 7414356141	409

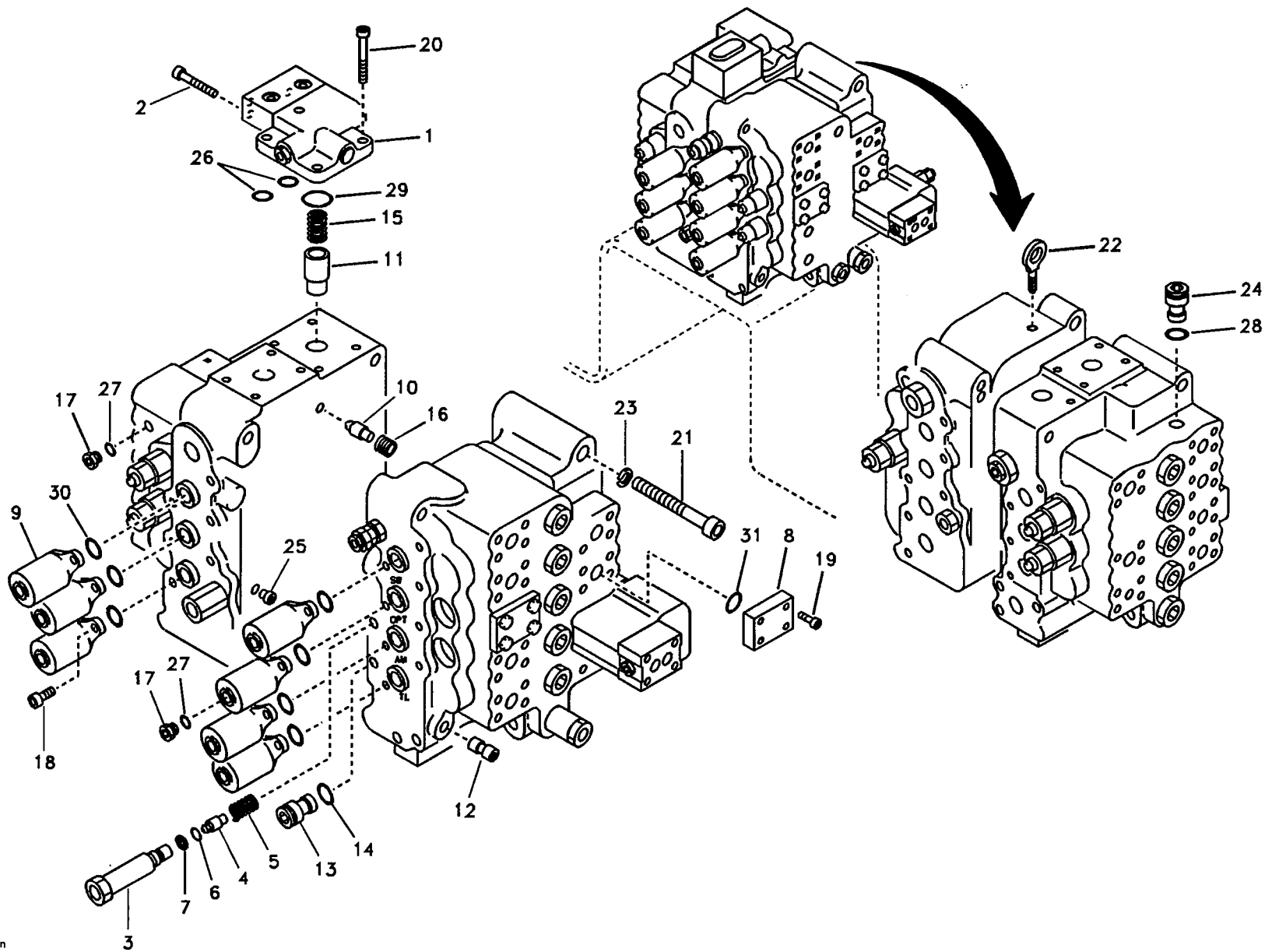


Fig.	Part No.	Quantity			P S	K I T	Description	Dénomination	Bezeichnung	품명	Denominación	Notes
		1	2	3								
30	SA 9512-02131	7				K	•O-ring.....	•Joint Torique.....	•O-ring.....	•오링.....	•Junta torica.....	
31	SA 9512-02219	2				K	•O-ring.....	•Joint Torique.....	•O-ring.....	•오링.....	•Junta torica.....	
100	SA 8148-13070	1					Sealing Kit.....	Jeu Joints.....	Dichtungssatz.....	시일 키트.....	Juego Retenes.....	

1	8277808	<b>Válvula de control principal, válvula de alivio y retención de pluma.</b> 제어밸브, 릴리프 밸브 및 붐 홀딩 <b>Steuerventilblock, Überdruckventil und Auslegerhalter</b> <b>Valve de commande principale, détenteur et fixation de flèche.</b> <b>Main control valve, relife valve and boom holding</b>	Catalogue id	Group
2			<b>56141</b>	<b>912</b>
3			Illustr. No	Section
4			<b>TA211</b>	<b>600</b>
5			Issue	Page
		<b>VOE 7414356141</b>	<b>411</b>	

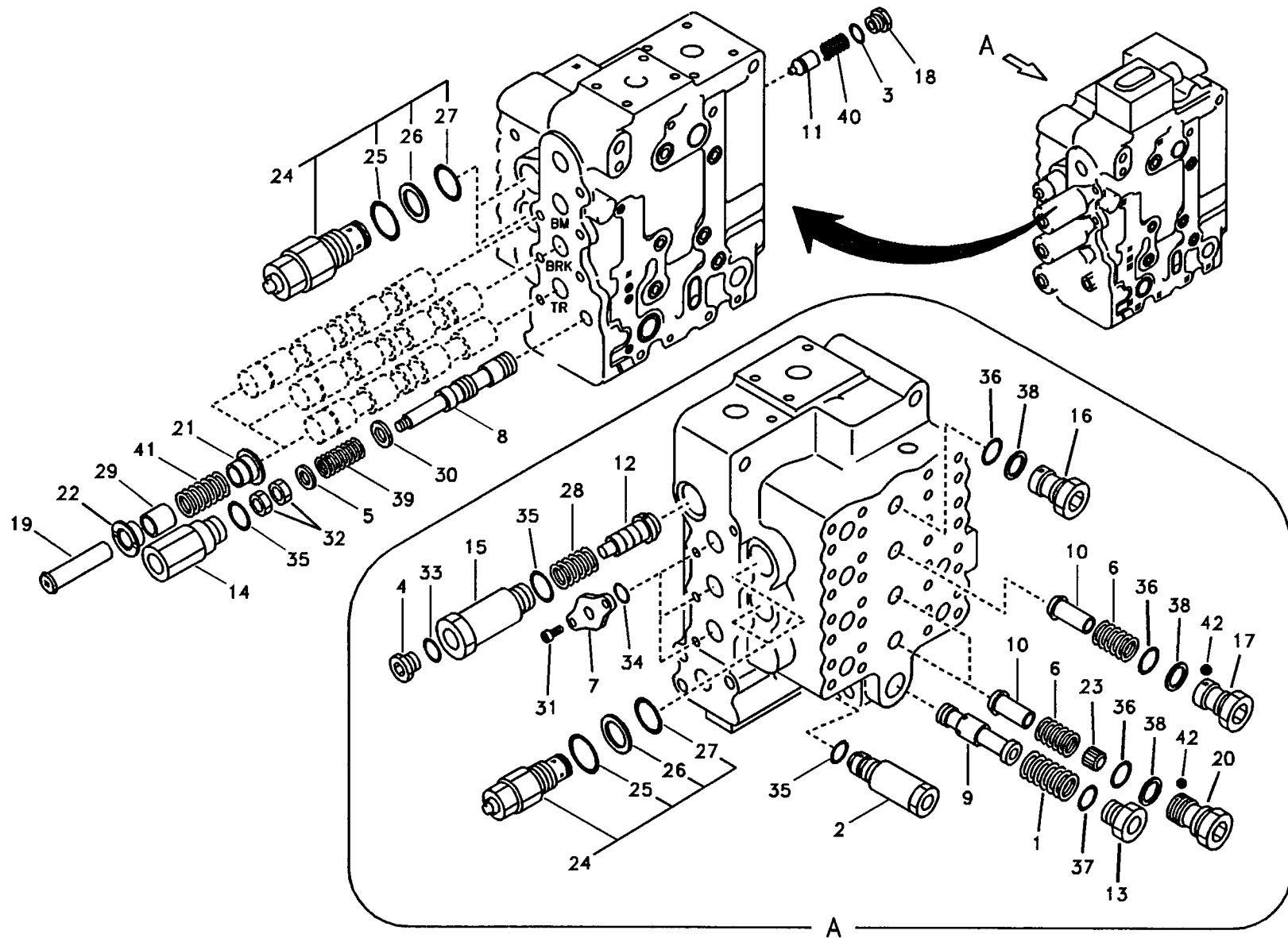


Fig.	Part No.	Quantity			P S	K T	Description	Dénomination	Bezeichnung	품명	Denominación	Notes
		1	2	3								
	VOE 14505323	1					Control Valve .....	Valve Controle .....	Steuerventil .....	제어 밸브 .....	Valvula Control.....	
1	VOE 14500048	1					•Spring .....	•Ressort .....	•Feder.....	•스프링 .....	•Muelle.....	
2	SA 8230-12500	1					•Relief Valve .....	•Limiteur - pression ...	•Druckbegrenzer .....	•릴리프 밸브 .....	•Limitador presion.....	
3	SA 9511-12014	1			K		•O-ring.....	•Joint Torique .....	•O-ring.....	•오링 .....	•Junta torica.....	
4	SA 8230-01160	1					•Cap .....	•Chapeau .....	•Kappe .....	•캡 .....	•Caperuza.....	
5	SA 8230-03640	1					•Spacer .....	•Partie Interme. ....	•Zwischenstück .....	•스페이서 .....	•Espaciador.....	
6	SA 8230-10360	3					•Spring .....	•Ressort .....	•Feder.....	•스프링 .....	•Muelle.....	
7	SA 8230-10560	3					•Retainer .....	•Retenue .....	•Halter .....	•리테이너 .....	•Soporte.....	
8	SA 8230-10690	1					•Spool .....	•Bobine.....	•Schieber.....	•스풀 .....	•Bobina.....	
9	SA 8230-10740	1					•Spool .....	•Bobine.....	•Schieber.....	•스풀 .....	•Bobina.....	
10	SA 8230-11210	3					•Check valve .....	•Valve antiretour.....	•Rückschlagventil.....	•체크 밸브 .....	•Valvula retencion.....	
11	SA 8230-11330	1					•Check valve .....	•Valve antiretour.....	•Rückschlagventil.....	•체크 밸브 .....	•Valvula retencion.....	
12	SA 8230-11380	1					•Valve.....	•Soupape .....	•Ventil.....	•밸브 .....	•Valvula.....	
13	SA 8230-11780	1					•Cap .....	•Chapeau .....	•Kappe .....	•캡 .....	•Caperuza.....	
14	SA 8230-11790	1					•Cap .....	•Chapeau .....	•Kappe .....	•캡 .....	•Caperuza.....	
15	SA 8230-11810	1					•Cap .....	•Chapeau .....	•Kappe .....	•캡 .....	•Caperuza.....	
16	SA 8230-11870	1					•Cap .....	•Chapeau .....	•Kappe .....	•캡 .....	•Caperuza.....	
17	SA 8230-11890	1					•Cap .....	•Chapeau .....	•Kappe .....	•캡 .....	•Caperuza.....	
18	SA 8230-11940	1					•Cap .....	•Chapeau .....	•Kappe .....	•캡 .....	•Caperuza.....	
19	SA 8230-12030	3					•Cap .....	•Chapeau .....	•Kappe .....	•캡 .....	•Caperuza.....	
20	SA 8230-12080	1					•Cap .....	•Chapeau .....	•Kappe .....	•캡 .....	•Caperuza.....	
21	SA 8230-12250	3					•Guide .....	•Rail.....	•Führung.....	•가이드 .....	•Guia.....	
22	SA 8230-12270	3					•Guide .....	•Rail.....	•Führung.....	•가이드 .....	•Guia.....	
23	SA 8230-11200	2					•Check valve .....	•Valve antiretour.....	•Rückschlagventil.....	•체크 밸브 .....	•Valvula retencion.....	
24	SA 8230-12570	4					•Relief Valve .....	•Limiteur - pression ...	•Druckbegrenzer .....	•릴리프 밸브 .....	•Limitador presion.....	
25	SA 9511-42912	1			K		•O-ring .....	•Joint Torique.....	•O-ring.....	•오링 .....	•Junta torica.....	
26	SA 9566-10160	1			K		•Ring .....	•Anneau .....	•Ring .....	•링 .....	•Anillo.....	
27	SA 9511-12016	1			K		•O-ring .....	•Joint Torique.....	•O-ring.....	•오링 .....	•Junta torica.....	
28	SA 8230-13150	1					•Spring .....	•Ressort .....	•Feder.....	•스프링 .....	•Muelle.....	
29	SA 8230-13280	3					•Stop .....	•Arrêt.....	•Anschlag .....	•스톱 .....	•Parada.....	

1	8277808	<b>Válvula de control principal, pluma, cazo y traslación Rh</b> 제어밸브, 붐 및 버킷 및 우측 주행 모터 <b>Steuerventilblock, Ausleger, Schaufel und Fahren rechts</b> <b>Valve de commande principale, flèche et godet et conduite Rh</b> <b>Main control valve, boom and bucket and travel Rh</b>	Catalogue id	Group
2			<b>56141</b>	<b>912</b>
3			Illustr. No	Section
4			<b>TA212</b>	<b>700</b>
5			Issue	Page
			<b>VOE 7414356141</b>	<b>413</b>

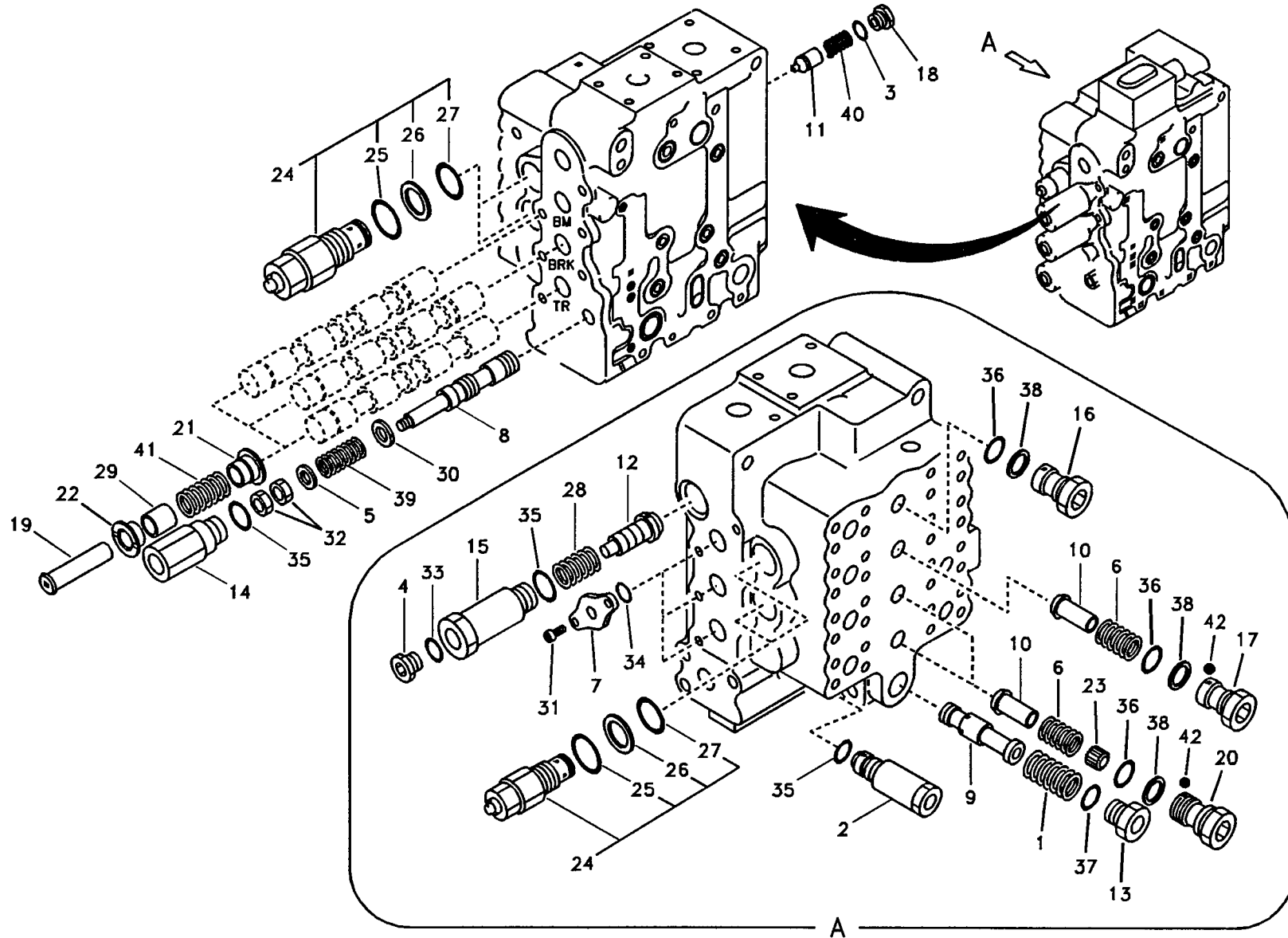


Fig.	Part No.	Quantity			P S	K T	Description	Dénomination	Bezeichnung	품명	Denominación	Notes
		1	2	3								
30	SA 8230-13310	1					•Washer .....	•Rondelle.....	•Scheibe .....	•와서 .....	•Arandela.....	
31	SA 9016-11005	6					•Bolt .....	•Boulon.....	•Bolzen.....	•볼트 .....	•Perno.....	
32	SA 9114-10800	2					•Lock Nut .....	•Contre-ecrou.....	•Sicher Mutter.....	•록 너트 .....	•Contratuerca.....	
33	SA 9511-12011	1			K		•O-ring.....	•Joint Torique.....	•O-ring.....	•오링 .....	•Junta torica.....	
34	SA 9512-02127	3			K		•O-ring.....	•Joint Torique.....	•O-ring.....	•오링 .....	•Junta torica.....	
35	SA 9511-12021	3			K		•O-ring.....	•Joint Torique.....	•O-ring.....	•오링 .....	•Junta torica.....	
36	SA 9511-12026	4			K		•O-ring.....	•Joint Torique.....	•O-ring.....	•오링 .....	•Junta torica.....	
37	SA 9511-12029	1			K		•O-ring.....	•Joint Torique.....	•O-ring.....	•오링 .....	•Junta torica.....	
38	SA 9566-10260	4			K		•Ring .....	•Anneau .....	•Ring.....	•링 .....	•Anillo.....	
39	SA 8230-12920	1					•Spring .....	•Ressort .....	•Feder.....	•스프링 .....	•Muelle.....	
40	SA 8230-12950	1					•Spring .....	•Ressort .....	•Feder.....	•스프링 .....	•Muelle.....	
41	SA 8230-13080	3					•Spring .....	•Ressort .....	•Feder.....	•스프링 .....	•Muelle.....	
42	SA 8230-02880	3					•Adhesive.....	•Adhesif.....	•Klebstoff.....	•접착제 .....	•Adhesivo.....	
100	SA 8148-13070	1					Sealing Kit.....	Jeu Joints.....	Dichtungssatz.....	시일 키트 .....	Juego Retenes.....	

1	8277808	<b>Válvula de control principal, pluma, cazo y traslación Rh</b> 제어밸브, 붐 및 버킷 및 우측 주행 모터 <b>Steuerventilblock, Ausleger, Schaufel und Fahren rechts</b> <b>Valve de commande principale, flèche et godet et conduite Rh</b> <b>Main control valve, boom and bucket and travel Rh</b>	Catalogue id	Group
2			56141	912
3			Illustr. No	Section
4			TA212	700
5			Issue	Page
			VOE 7414356141	415



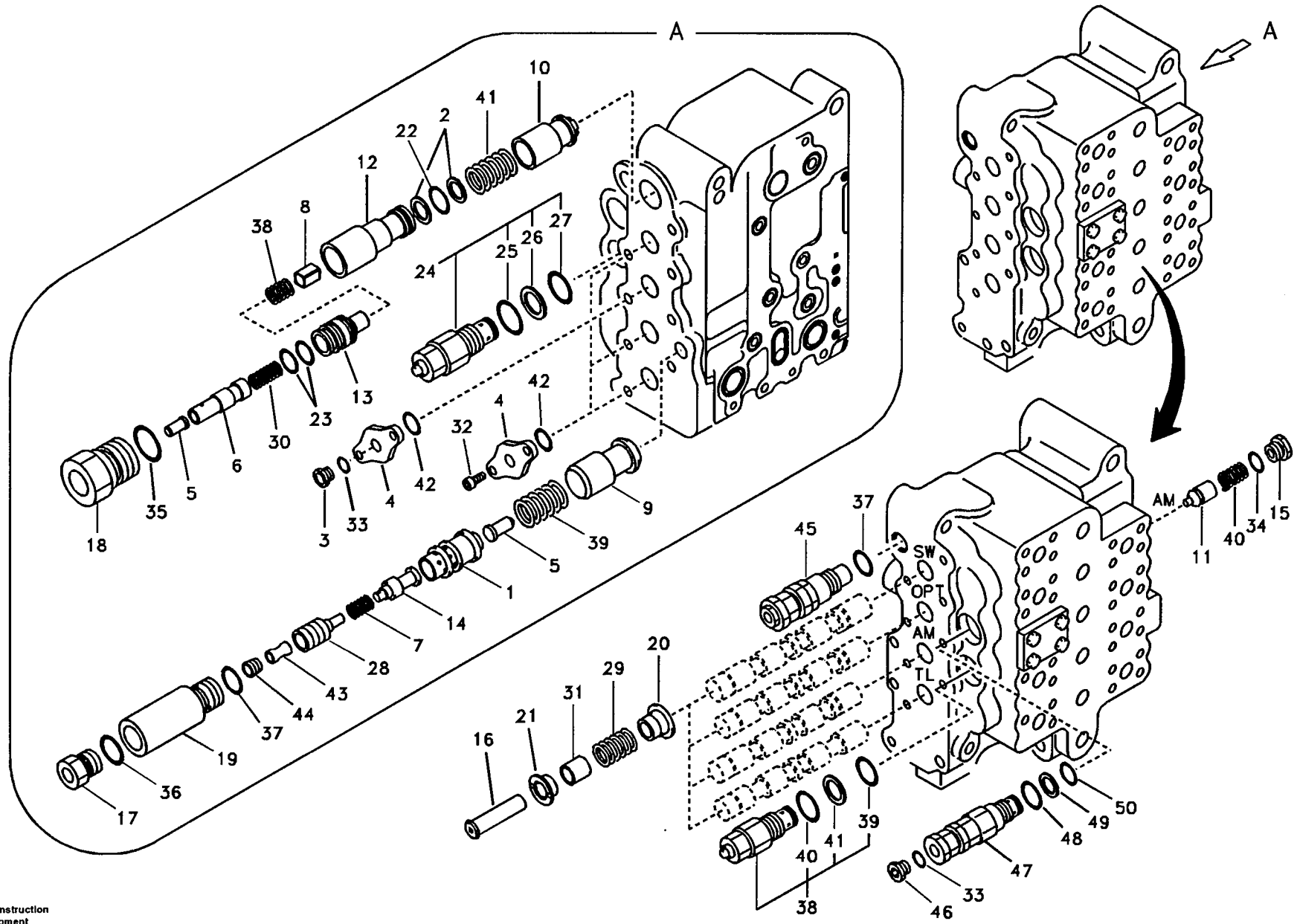


Fig.	Part No.	Quantity			P S	K I T	Description	Dénomination	Bezeichnung	품명	Denominación	Notes
		1	2	3								
	VOE 14505323	1				Control Valve .....	Valve Controle .....	Steuerventil .....	제어 밸브 .....	Valvula Control.....		
1	VOE 14500049	1				•Sleeve.....	•Manchon .....	•Muffe .....	•슬리브 .....	•Manguito.....		
2	SA 7273-10780	1			SS K	•Ring .....	•Anneau .....	•Ring.....	•링 .....	•Anillo.....		
3	SA 8230-12060	1				•Plug .....	•Bouchon.....	•Stopfen .....	•플러그 .....	•Tapon.....		
4	SA 8230-10560	4				•Retainer .....	•Retenue .....	•Halter .....	•리테이너 .....	•Soporte.....		
5	SA 8230-11060	2			SS	•Piston.....	•Piston.....	•Kolben.....	•피스톤 .....	•Piston.....		
6	SA 8230-11070	1				•Piston.....	•Piston.....	•Kolben.....	•피스톤 .....	•Piston.....		
7	SA 8230-13070	1			SS	•Spring .....	•Ressort .....	•Feder.....	•스프링 .....	•Muelle.....		
8	SA 8230-11190	1				•Check valve .....	•Valve antiretour.....	•Rückschlagventil.....	•체크 밸브 .....	•Valvula retencion.....		
9	SA 8230-11230	1				•Check valve .....	•Valve antiretour.....	•Rückschlagventil.....	•체크 밸브 .....	•Valvula retencion.....		
10	SA 8230-11320	1				•Stay .....	•Tirant.....	•Strebe .....	•스테인 .....	•Barra.....		
11	SA 8230-11330	1				•Check valve .....	•Valve antiretour.....	•Rückschlagventil.....	•체크 밸브 .....	•Valvula retencion.....		
12	SA 8230-11450	1				•Sleeve.....	•Manchon .....	•Muffe .....	•슬리브 .....	•Manguito.....		
13	SA 8230-11470	1				•Sleeve.....	•Manchon .....	•Muffe .....	•슬리브 .....	•Manguito.....		
14	SA 8230-10750	1			SS	•Spool .....	•Bobine.....	•Schieber.....	•스폴 .....	•Bobina.....		
15	SA 8230-11940	1				•Cap .....	•Chapeau .....	•Kappe .....	•캡 .....	•Caperuza.....		
16	SA 8230-12030	4				•Cap .....	•Chapeau .....	•Kappe .....	•캡 .....	•Caperuza.....		
17	SA 8230-12050	1				•Cap .....	•Chapeau .....	•Kappe .....	•캡 .....	•Caperuza.....		
18	SA 8230-12090	1				•Cap .....	•Chapeau .....	•Kappe .....	•캡 .....	•Caperuza.....		
19	SA 8230-12100	1				•Cap .....	•Chapeau .....	•Kappe .....	•캡 .....	•Caperuza.....		
20	SA 8230-12250	1				•Guide .....	•Rail.....	•Führung.....	•가이드 .....	•Guia.....		
21	SA 8230-12270	1				•Guide .....	•Rail.....	•Führung.....	•가이드 .....	•Guia.....		
22	SA 9512-01011	1				•O-ring.....	•Joint Torique .....	•O-ring .....	•오링 .....	•Junta torica.....		
23	SA 9512-02018	2				•O-ring.....	•Joint Torique .....	•O-ring .....	•오링 .....	•Junta torica.....		
24	SA 8230-12570	4				•Relief Valve .....	•Limiteur - pression ...	•Druckbegrenzer .....	•릴리프 밸브 .....	•Limitador presion.....		
25	SA 9511-42912	1			K	•O-ring .....	•Joint Torique.....	•O-ring.....	•오링 .....	•Junta torica.....		
26	SA 9566-10160	1			K	•Ring .....	•Anneau .....	•Ring .....	•링 .....	•Anillo.....		
27	SA 9511-12016	1			K	•O-ring .....	•Joint Torique.....	•O-ring.....	•오링 .....	•Junta torica.....		
28	SA 8230-11080	1			SS	•Piston.....	•Piston.....	•Kolben.....	•피스톤 .....	•Piston.....		
29	SA 8230-13080	4				•Spring .....	•Ressort .....	•Feder.....	•스프링 .....	•Muelle.....		

1	8277808	<b>Válvula de control principal, oscilación, opción, brazo y</b> <b>제어밸브, 선회 및 선택 및 디퍼 암 및 좌측 주행 모터</b> <b>Steuerventilblock, Schwenken, Option, Stiel und Fahren links</b> <b>Valve commande principale, pivotement, accessoire, bras et conduite Lh</b> <b>Main control valve, swing and option and dipper arm and travel Lh</b>	Catalogue id	Group
2			<b>56141</b>	<b>912</b>
3			Illustr. No	Section
4			<b>TA213</b>	<b>800</b>
5			Issue	Page
			<b>VOE 7414356141</b>	<b>417</b>

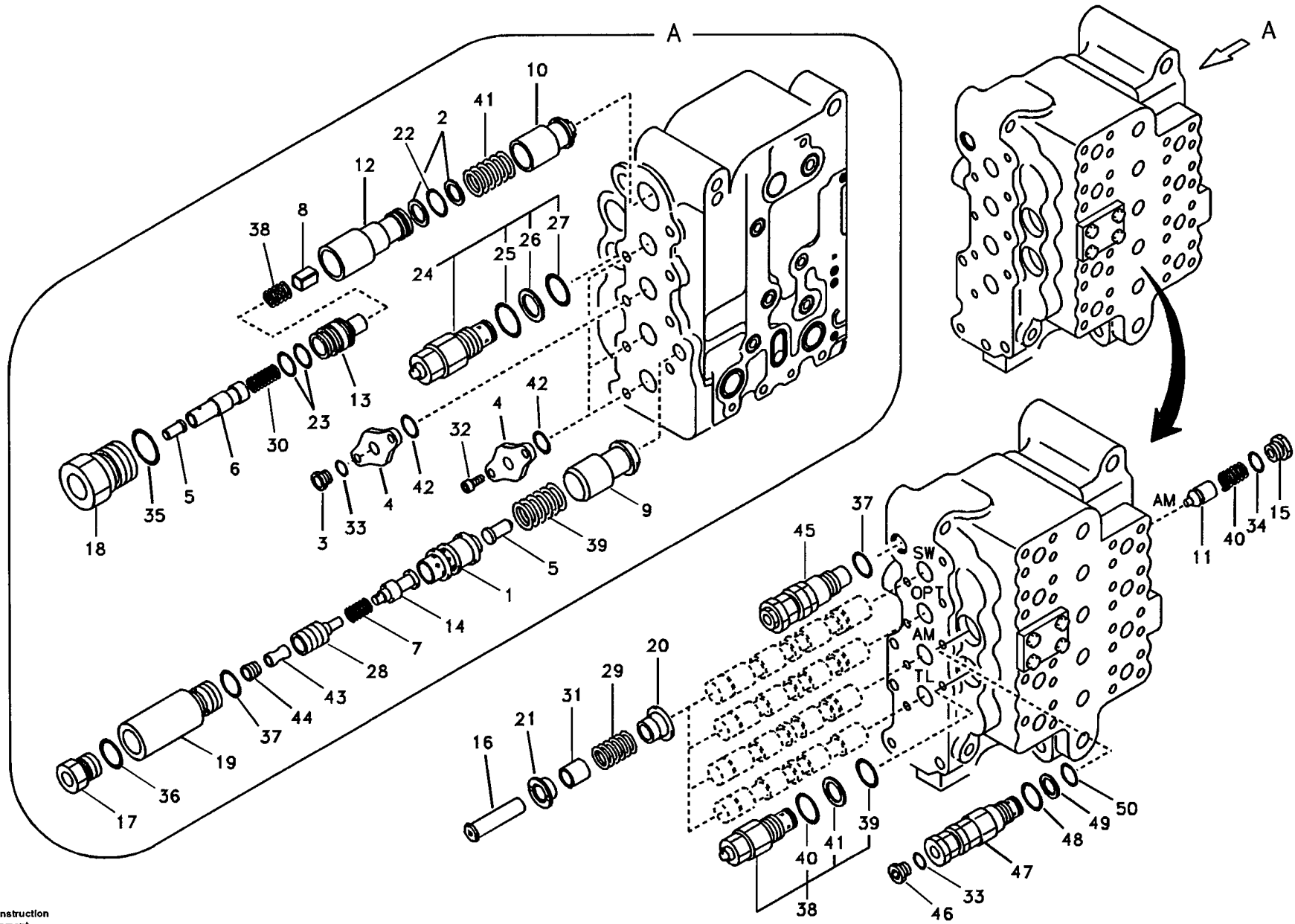


Fig.	Part No.	Quantity			P S	K T	Description	Dénomination	Bezeichnung	품명	Denominación	Notes
		1	2	3								
30	SA 8230-13200	1					•Spring .....	•Ressort .....	•Feder.....	• 스프링 .....	•Muelle.....	
31	SA 8230-13280	4					•Stop .....	•Arrêt.....	•Anschlag .....	• 스톱 .....	•Parada.....	
32	SA 9016-11005	8					•Bolt .....	•Boulon.....	•Bolzen .....	• 볼트 .....	•Perno.....	
33	SA 9511-12011	2			K		•O-ring.....	•Joint Torique .....	•O-ring.....	• 오링 .....	•Junta torica.....	
34	SA 9511-12014	1			K		•O-ring.....	•Joint Torique .....	•O-ring.....	• 오링 .....	•Junta torica.....	
35	SA 9511-12026	1			K		•O-ring.....	•Joint Torique .....	•O-ring.....	• 오링 .....	•Junta torica.....	
36	SA 9511-12018	1			K		•O-ring.....	•Joint Torique .....	•O-ring.....	• 오링 .....	•Junta torica.....	
37	SA 9511-12021	2			K		•O-ring.....	•Joint Torique .....	•O-ring.....	• 오링 .....	•Junta torica.....	
38	SA 8230-12780	1					•Spring .....	•Ressort .....	•Feder.....	• 스프링 .....	•Muelle.....	
39	SA 8230-12830	1					•Spring .....	•Ressort .....	•Feder.....	• 스프링 .....	•Muelle.....	
40	SA 8230-12950	1					•Spring .....	•Ressort .....	•Feder.....	• 스프링 .....	•Muelle.....	
41	SA 8230-12960	1					•Spring .....	•Ressort .....	•Feder.....	• 스프링 .....	•Muelle.....	
42	SA 9512-02127	4					•O-ring.....	•Joint Torique .....	•O-ring.....	• 오링 .....	•Junta torica.....	
43	VOE 14517613	1					•Check valve .....	•Valve antiretour.....	•Rückschlagventil.....	• 체크 밸브.....	•Valvula retencion.....	
44	VOE 14517614	1					•Plug .....	•Bouchon.....	•Stopfen .....	• 플러그 .....	•Tapon.....	
45	SA 8230-12660	1					•Relief Valve .....	•Limiteur - pression ...	•Druckbegrenzer .....	• 릴리프 밸브 .....	•Limitador presion.....	
46	SA 8230-01160	1					•Cap .....	•Chapeau .....	•Kappe .....	• 캡 .....	•Caperuza.....	
47	VOE 14515184	1					•Relief Valve .....	•Limiteur - pression ...	•Druckbegrenzer .....	• 릴리프 밸브 .....	•Limitador presion.....	
48	SA 9511-42912	1					•O-ring.....	•Joint Torique .....	•O-ring.....	• 오링 .....	•Junta torica.....	
49	SA 9566-10160	1					•Ring .....	•Anneau .....	•Ring.....	• 링 .....	•Anillo.....	
50	SA 9511-12016	1					•O-ring.....	•Joint Torique .....	•O-ring.....	• 오링 .....	•Junta torica.....	
100	SA 8148-13070	1					Sealing Kit.....	Jeu Joints.....	Dichtungssatz.....	시일 키트 .....	Juego Retenes.....	

1	8277808	<b>Válvula de control principal, oscilación, opción, brazo y</b> <b>제어밸브, 선회 및 선택 및 디퍼 암 및 좌측 주행 모터</b> <b>Steuerventilblock, Schwenken, Option, Stiel und Fahren links</b> <b>Valve commande principale, pivotement, accessoire, bras et conduite Lh</b> <b>Main control valve, swing and option and dipper arm and travel Lh</b>	Catalogue id	Group
2			<b>56141</b>	<b>912</b>
3			Illustr. No	Section
4			<b>TA213</b>	<b>800</b>
5			Issue	Page
		<b>VOE 7414356141</b>	<b>419</b>	

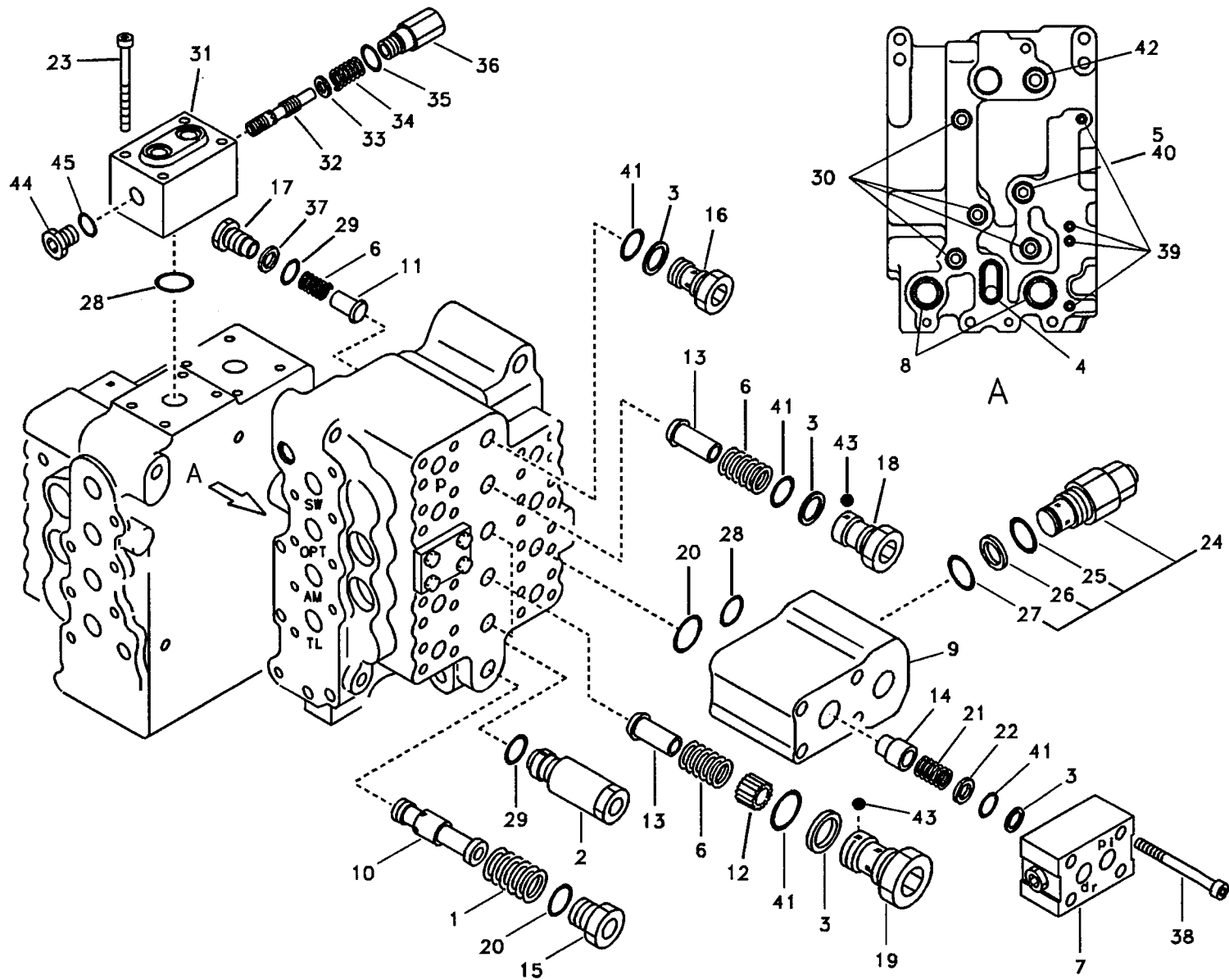


Fig.	Part No.	Quantity			P S	K I T	Description	Dénomination	Bezeichnung	품명	Denominación	Notes
		1	2	3								
	VOE 14505323	1					Control Valve .....	Valve Controle .....	Steuerventil .....	제어 밸브 .....	Valvula Control.....	
1	VOE 14500048	1					•Spring .....	•Ressort .....	•Feder.....	•스프링 .....	•Muelle.....	
2	SA 8230-12500	1					•Relief Valve .....	•Limiteur - pression ....	•Druckbegrenzer .....	•릴리프 밸브 .....	•Limitador presion.....	
3	SA 9566-10260	6			K		•Ring .....	•Anneau .....	•Ring.....	•링 .....	•Anillo.....	
4	SA 9512-02127	1			K		•O-ring.....	•Joint Torique .....	•O-ring.....	•오링 .....	•Junta torica.....	
5	SA 8230-01160	1					•Cap .....	•Chapeau .....	•Kappe .....	•캡 .....	•Caperuza.....	
6	SA 8230-10360	5					•Spring .....	•Ressort .....	•Feder.....	•스프링 .....	•Muelle.....	
7	SA 8230-10540	1					•Cover .....	•Capot .....	•Haube .....	•커버 .....	•Capo.....	
8	SA 9511-12034	2					•O-ring.....	•Joint Torique .....	•O-ring.....	•오링 .....	•Junta torica.....	
9	SA 8230-10600	1					•Manifold .....	•Tubulure .....	•Verzweigung .....	•매니폴드 .....	•Bifurcacion.....	
10	SA 8230-10730	1					•Spool .....	•Bobine.....	•Schieber.....	•스풀 .....	•Bobina.....	
11	SA 8230-11100	1					•Check valve .....	•Valve antiretour.....	•Rückschlagventil.....	•체크 밸브 .....	•Valvula retencion.....	
12	SA 8230-11200	1					•Check valve .....	•Valve antiretour.....	•Rückschlagventil.....	•체크 밸브 .....	•Valvula retencion.....	
13	SA 8230-11210	2					•Check valve .....	•Valve antiretour.....	•Rückschlagventil.....	•체크 밸브 .....	•Valvula retencion.....	
14	SA 8230-11310	1					•Valve .....	•Soupape .....	•Ventil.....	•밸브 .....	•Valvula.....	
15	SA 8230-11780	1					•Cap .....	•Chapeau .....	•Kappe .....	•캡 .....	•Caperuza.....	
16	SA 8230-11870	1					•Cap .....	•Chapeau .....	•Kappe .....	•캡 .....	•Caperuza.....	
17	SA 8230-11880	1					•Cap .....	•Chapeau .....	•Kappe .....	•캡 .....	•Caperuza.....	
18	SA 8230-11890	1					•Cap .....	•Chapeau .....	•Kappe .....	•캡 .....	•Caperuza.....	
19	SA 8230-12070	1					•Cap .....	•Chapeau .....	•Kappe .....	•캡 .....	•Caperuza.....	
20	SA 9511-12029	2			K		•O-ring.....	•Joint Torique .....	•O-ring.....	•오링 .....	•Junta torica.....	
21	SA 8230-13030	1					•Spring .....	•Ressort .....	•Feder.....	•스프링 .....	•Muelle.....	
22	SA 8230-13240	1					•Guide .....	•Rail.....	•Führung.....	•가이드 .....	•Guia.....	
23	SA 8230-23000	4					•Bolt .....	•Boulon.....	•Bolzen.....	•볼트 .....	•Perno.....	
24	SA 8230-12570	1					•Relief Valve .....	•Limiteur - pression ....	•Druckbegrenzer .....	•릴리프 밸브 .....	•Limitador presion.....	
25	SA 9511-42912	1			K		•O-ring .....	•Joint Torique.....	•O-ring.....	•오링 .....	•Junta torica.....	
26	SA 9566-10160	1			K		•Ring .....	•Anneau .....	•Ring .....	•링 .....	•Anillo.....	
27	SA 9511-12016	1			K		•O-ring .....	•Joint Torique.....	•O-ring.....	•오링 .....	•Junta torica.....	
28	SA 9511-12018	2			K		•O-ring.....	•Joint Torique .....	•O-ring.....	•오링 .....	•Junta torica.....	
29	SA 9511-12021	2			K		•O-ring.....	•Joint Torique .....	•O-ring.....	•오링 .....	•Junta torica.....	

1	8277808	<b>Válvula de control princ., válvula de alivio y retención de brazo</b> 제어밸브, 릴리프 밸브; 디퍼 암 홀딩 <b>Steuerventilblock, überdruckventil und Stielhalter</b> <b>Valve cde principale, détenteur et fixation balancier</b> <b>Main control valve, relief valve and dipper arm holding</b>	Catalogue id	Group
2			56141	912
3			Illustr. No	Section
4			TA214	900
5			Issue	Page
			VOE 7414356141	421

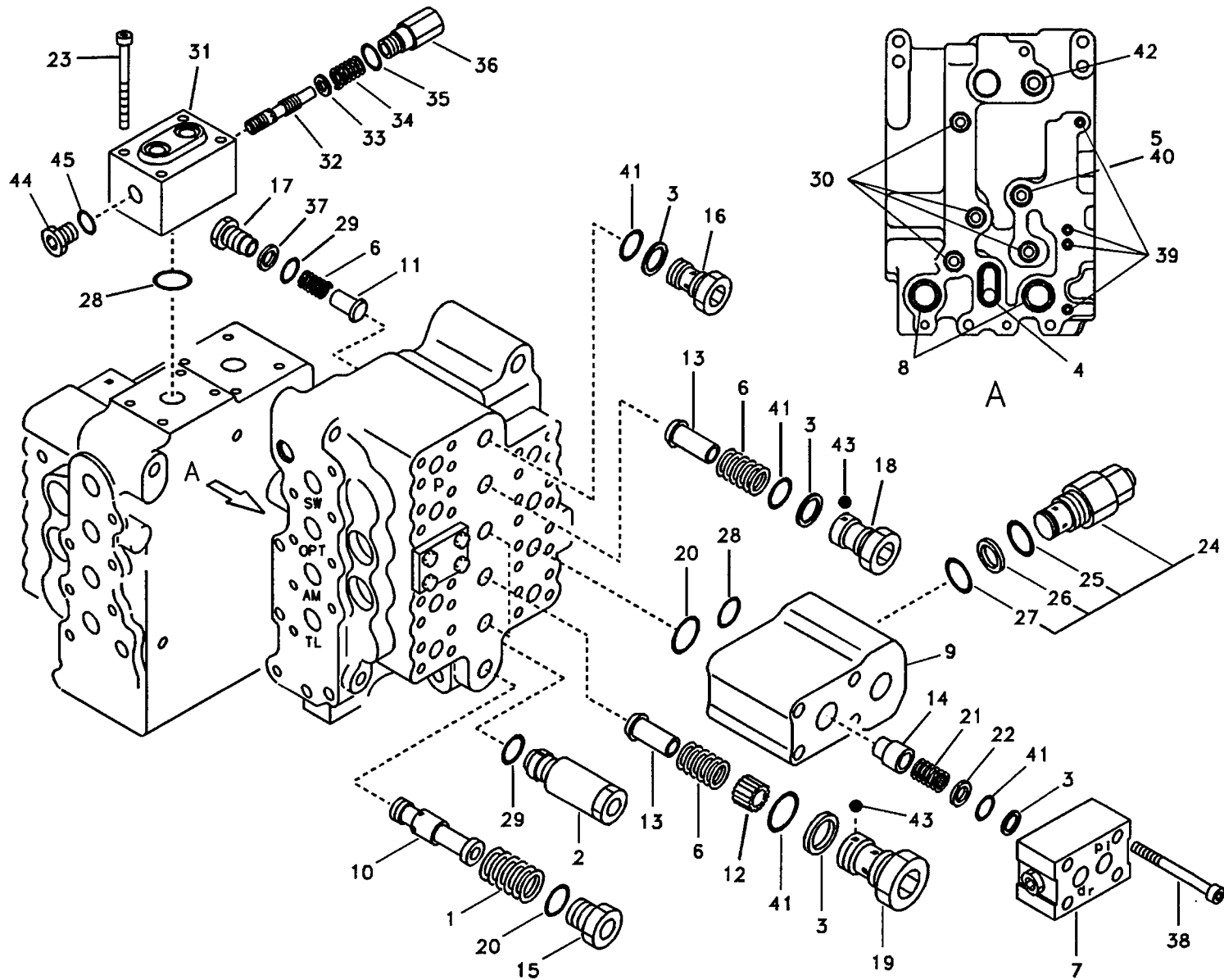


Fig.	Part No.	Quantity			P S	K I T	Description	Dénomination	Bezeichnung	품명	Denominación	Notes
		1	2	3								
30	SA 9511-12022	4				K •O-ring.....	•Joint Torique.....	•O-ring.....	•오링.....	•Junta torica.....		
31	SA 8230-10590	1				•Manifold.....	•Tubulure.....	•Verzweigung.....	•매니폴드.....	•Bifurcacion.....		
32	VOE 14515185	1				•Spool.....	•Bobine.....	•Schieber.....	•스풀.....	•Bobina.....		
33	SA 8230-13340	1				•Guide.....	•Rail.....	•Führung.....	•가이드.....	•Guia.....		
34	SA 8230-32870	1				•Spring.....	•Ressort.....	•Feder.....	•스프링.....	•Muelle.....		
35	SA 9511-11021	1				•O-ring.....	•Joint Torique.....	•O-ring.....	•오링.....	•Junta torica.....		
36	SA 8230-11790	1				•Cap.....	•Chapeau.....	•Kappe.....	•캡.....	•Caperuza.....		
37	SA 9566-10210	1				K •Ring.....	•Anneau.....	•Ring.....	•링.....	•Anillo.....		
38	SA 9016-21020	4				•Bolt.....	•Boulon.....	•Bolzen.....	•볼트.....	•Perno.....		
39	SA 9511-12010	4				K •O-ring.....	•Joint Torique.....	•O-ring.....	•오링.....	•Junta torica.....		
40	SA 9511-12011	1				K •O-ring.....	•Joint Torique.....	•O-ring.....	•오링.....	•Junta torica.....		
41	SA 9511-12026	6				K •O-ring.....	•Joint Torique.....	•O-ring.....	•오링.....	•Junta torica.....		
42	SA 9512-02120	1				K •O-ring.....	•Joint Torique.....	•O-ring.....	•오링.....	•Junta torica.....		
43	SA 8230-02880	1				•Adhesive.....	•Adhesif.....	•Klebstoff.....	•접착제.....	•Adhesivo.....		
44	SA 9415-11032	1				•Plug.....	•Bouchon.....	•Stopfen.....	•플러그.....	•Tapon.....		
45	SA 9511-12014	1				•O-ring.....	•Joint Torique.....	•O-ring.....	•오링.....	•Junta torica.....		
100	SA 8148-13070	1				Sealing Kit.....	Jeu Joints.....	Dichtungssatz.....	시일 키트.....	Juego Retenes.....		

1	8277808	<b>Válvula de control princ., válvula de alivio y retención de brazo</b> 제어밸브, 릴리프 밸브; 디퍼 암 홀딩 <b>Steuerventilblock, überdruckventil und Stielhalter</b> <b>Valve cde principale, détendeur et fixation balancier</b> <b>Main control valve, relief valve and dipper arm holding</b>	Catalogue id	Group
2			56141	912
3			Illustr. No	Section
4			TA214	900
5			Issue	Page
		VOE 7414356141	423	



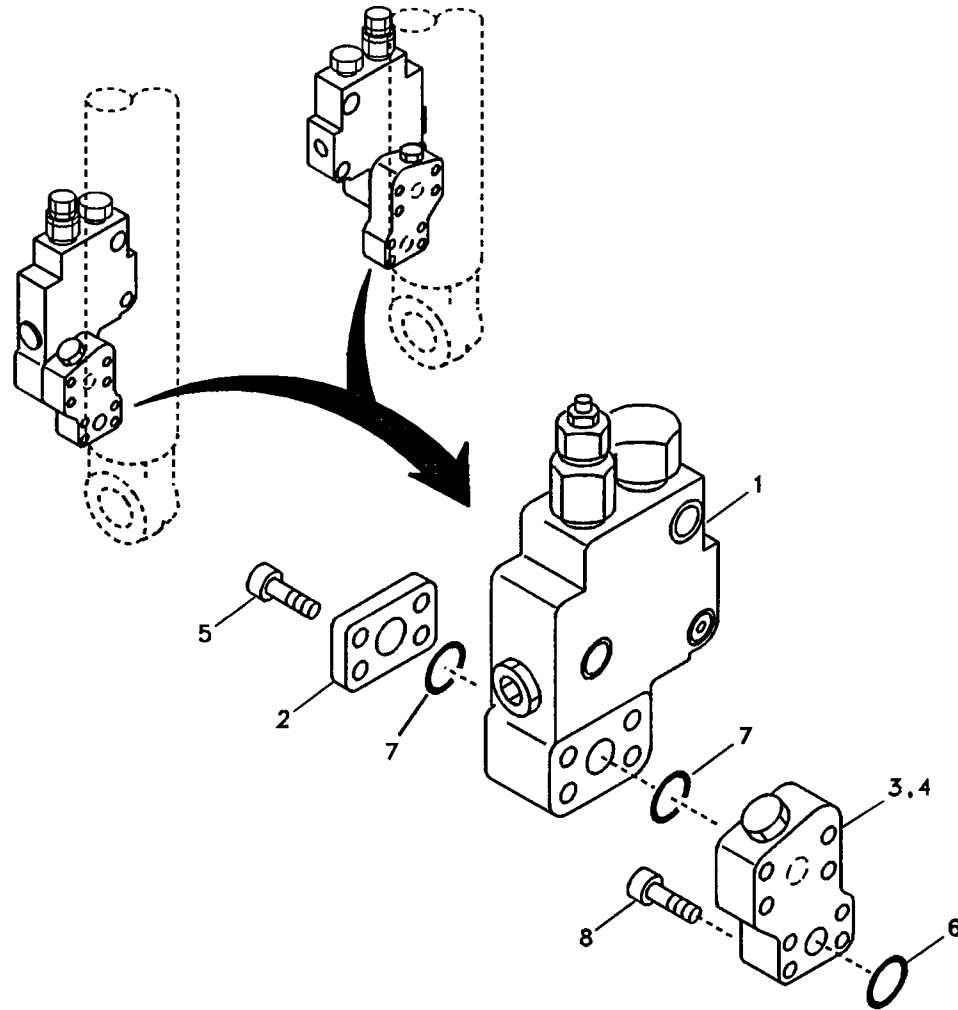


Fig.	Part No.	Quantity			P S	K I T	Description	Dénomination	Bezeichnung	품명	Denominación	Notes
		1	2	3								
1	VOE 14505578	2				Valve .....	Soupape.....	Ventil .....	밸브 .....	Valvula.....		
	VOE 14516741	1				•Sealing Kit .....	•Jeu Joints.....	•Dichtungssatz .....	•시일 킷 .....	•Juego Retenes.....		
2	SA 1074-06390	2				Cover .....	Capot .....	Haube .....	커버 .....	Capa.....		
3	SA 1174-50280	1				Block .....	Bloc .....	Block .....	블록 .....	Bloque.....	LH	
4	SA 1174-50290	1				Block .....	Bloc .....	Block .....	블록 .....	Bloque.....	RH	
5	VOE 948953	8				Screw .....	Vis .....	Schraube .....	스크류 .....	Tornillo.....		
6	SA 9512-02214	2				O-ring .....	Joint Torique .....	O-ring .....	오링 .....	Junta torica.....		
7	SA 9512-02219	4				O-ring .....	Joint Torique .....	O-ring .....	오링 .....	Junta torica.....		
8	SA 9016-21011	8				Bolt.....	Boulon.....	Bolzen.....	볼트 .....	Perno.....		

1	8277877	<b>Hidráulica de trabajo, válvula de seguridad en pluma y montaje válvula</b> 유압배관 , 붐 낙하방지장치 밸브 장착 <b>Arbeitshydraulik, Leitungsbruchventil Ausleger und Ventil montage.</b> <b>Hydraulique de travail, coupure flèche et montage de soupape.</b> <b>Working hydraulic, boom rupture valve mount</b>	Catalogue id	Group
2			<b>56141</b>	<b>912</b>
3			Illustr. No	Section
4			<b>TA215</b>	<b>2000</b>
5			Issue	Page
			<b>VOE 7414356141</b>	<b>425</b>

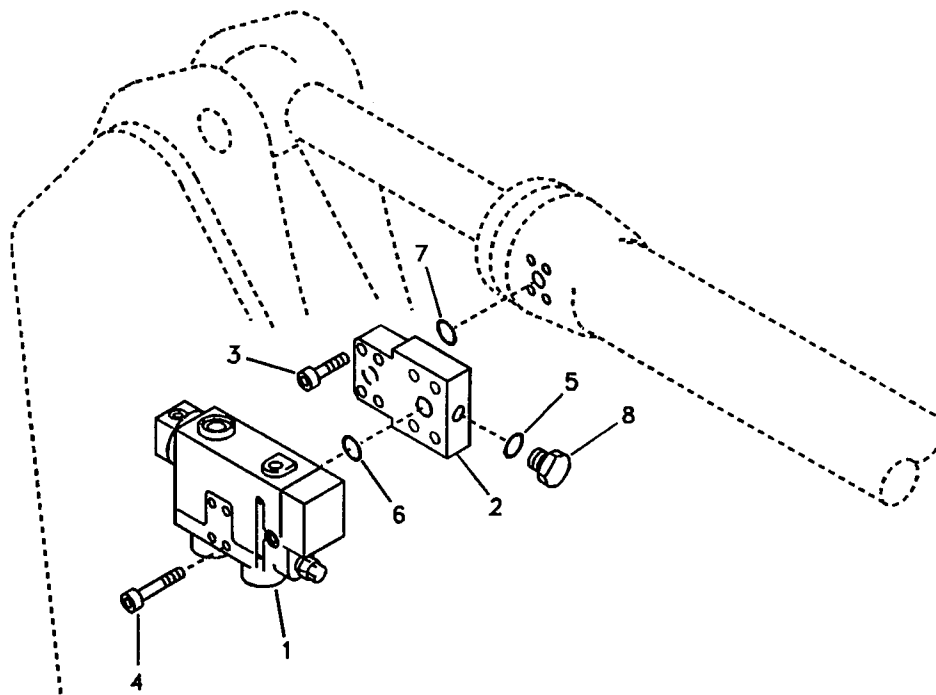


Fig.	Part No.	Quantity			P S	K I T	Description	Dénomination	Bezeichnung	품명	Denominación	Notes
		1	2	3								
1	VOE 14505579	1	1			Valve .....	Soupape.....	Ventil .....	밸브 .....	Valvula.....		
	VOE 14516741	1	1			•Sealing Kit .....	•Jeu Joints.....	•Dichtungssatz .....	•시일 키트 .....	•Juego Retenes.....		
2	SA 1074-05940	1	1			Block .....	Bloc .....	Block .....	블록 .....	Bloque.....		
3	VOE 967637	4	4			Allen Hd Screw .....	Vis A 6 Pans Cr.....	Inbusschraube .....	스크류 .....	Torn Hex Embut.....		
4	SA 9016-21217	4	4			Bolt.....	Boulon.....	Bolzen.....	볼트 .....	Perno.....		
5	SA 9511-12018	1	1			O-ring .....	Joint Torique .....	O-ring .....	오링 .....	Junta torica.....		
6	SA 9512-02219	1	1			O-ring .....	Joint Torique .....	O-ring .....	오링 .....	Junta torica.....		
7	SA 9512-02214	1	1			O-ring .....	Joint Torique .....	O-ring .....	오링 .....	Junta torica.....		
8	SA 9415-11041	1	1			Plug.....	Bouchon.....	Stopfen .....	플러그 .....	Tapon.....		

1	8277878	<b>Hidráulica de trabajo, válvula ruptura en braz y montaje de válvula.</b> 유압 배관 , 디퍼 암 낙하 방지장치 밸브 장착 <b>Arbeitshydraulik, Leitungsbruchventil Stiel und Ventil montage.</b> <b>Hydraulique de travail, calpet de securite en bras et montage de soupape.</b> <b>Working hydraulic, dipper arm rupture valve mount.</b>	Catalogue id	Group
2	8277880		<b>56141</b>	<b>912</b>
3			Illustr. No	Section
4			<b>TA216</b>	<b>2100</b>
5			Issue	Page
		<b>VOE 7414356141</b>	<b>427</b>	

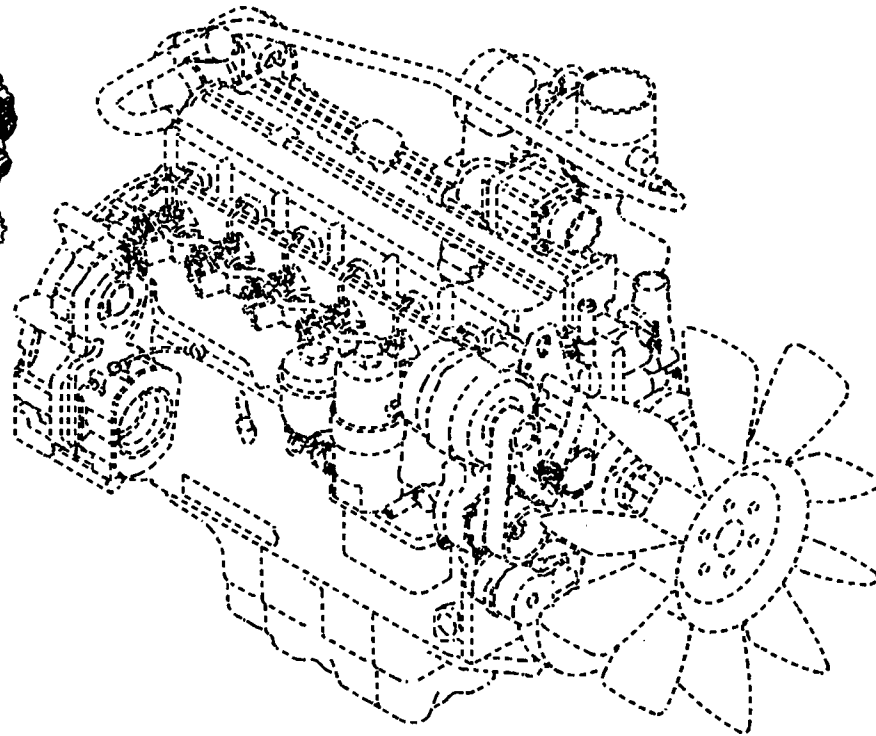
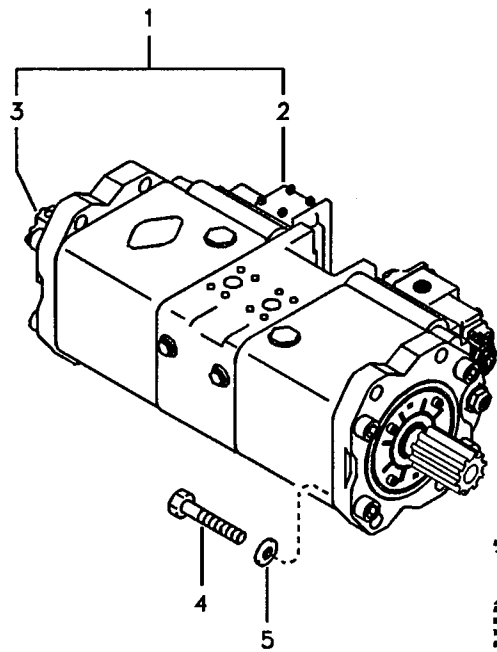


Fig.	Part No.	Quantity			P S	K I T	Description	Dénomination	Bezeichnung	품명	Denominación	Notes
		1	2	3								
1	SA 1142-00012	1				Pump.....	Pompe.....	Pumpe .....	펌프 .....	Bomba.....	See group 913, Page 431	
2	SA 8230-09160	2				•Regulator .....	•Regulateur .....	•Regler .....	• 레귤레이터 .....	•Regulador.....	See group 913, Page 437	
3	SA 8230-08800	1				•Gear Pump .....	•Pomp.engrenages .....	•Zahnradpumpe.....	• 기어 펌프.....	•Bomba Engranaje.....	See group 913, Page 441	
4	VOE 949566	4				Allen Hd Screw .....	Vis A 6 Pans Cr.....	Inbusschraube .....	스크류 .....	Torn Hex Embut.....		
5	SA 9211-20000	4				Washer.....	Rondelle.....	Scheibe .....	와셔 .....	Arandela.....		

1	8277784	<b>Instalación de bomba</b> 유압 펌프 및 장착 부품 <b>Pumpeninstallation</b> <b>Installation de pompe</b> <b>Pump installation</b>	Catalogue id	Group
2			<b>56141</b>	<b>913</b>
3			Illustr. No	Section
4			<b>TA217</b>	<b>100</b>
5			Issue	Page
			<b>VOE 7414356141</b>	<b>429</b>

**VOLVO**

**EC210B**

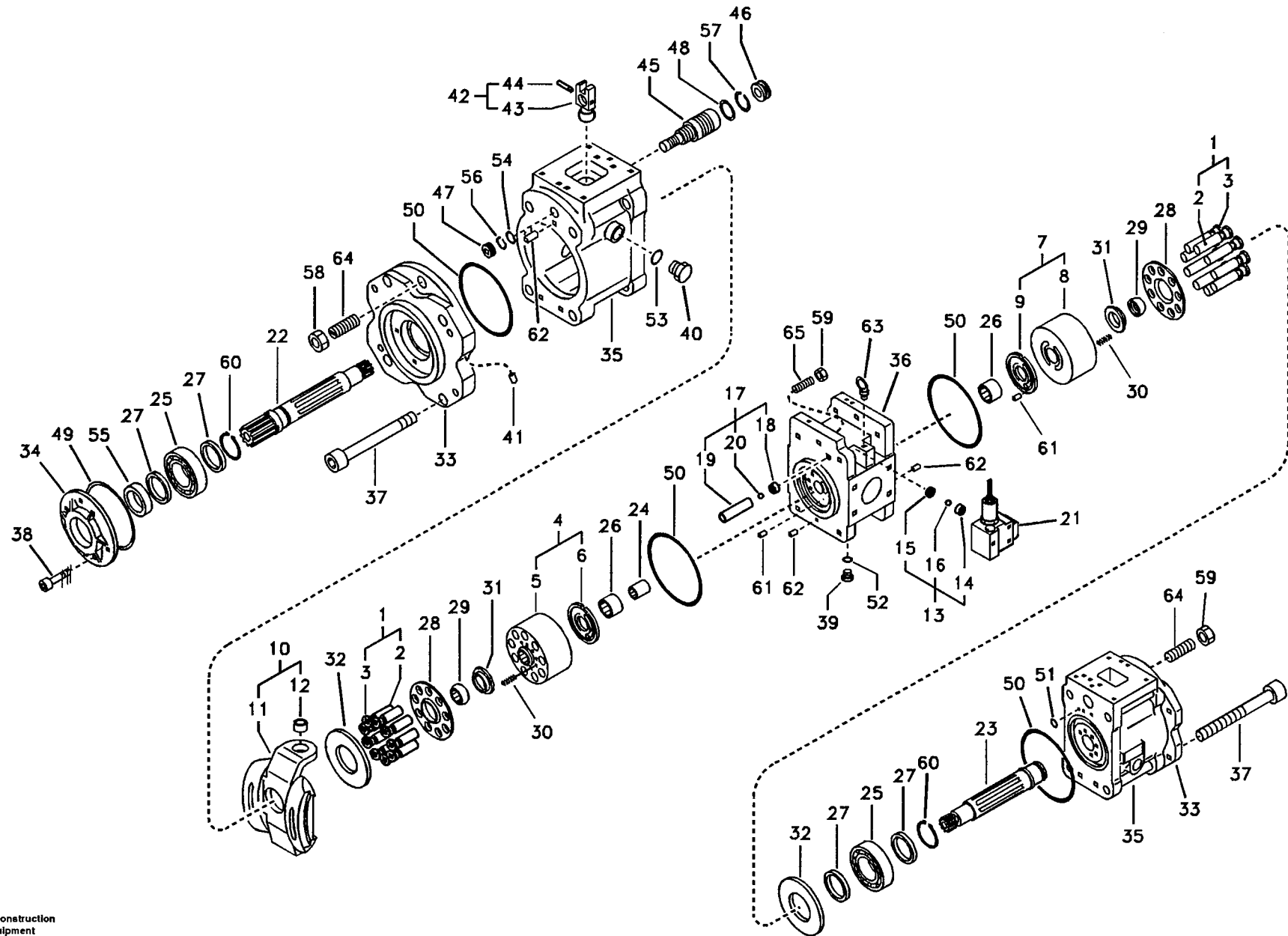


Fig.	Part No.	Quantity			P S	K T	Description	Dénomination	Bezeichnung	품명	Denominación	Notes
		1	2	3								
	SA 1142-00012	1				Pump.....	Pompe.....	Pumpe .....	펌프 .....	Bomba.....		
1	SA 8230-14650	2				•Piston.....	•Piston.....	•Kolben.....	• 피스톤 .....	•Piston.....		
2		9		NS		••Piston .....	••Piston.....	••Kolben .....	•• 피스톤 .....	••Piston.....		
3		9		NS		••Seat .....	••Siege .....	••Sitz.....	•• 시트 .....	••Asiento.....		
4	SA 8230-28580	1				•Cylinder .....	•Verin .....	•Zylinder .....	• 실린더 .....	•Cilindro.....		
5		1		NS		••Block.....	••Bloc.....	••Block .....	•• 블록 .....	••Bloque.....		
6		1		NS		••Plate .....	••Plaque .....	••Platte .....	•• 플레이트 .....	••Placa.....		
7	SA 8230-28590	1				•Cylinder .....	•Verin .....	•Zylinder .....	• 실린더 .....	•Cilindro.....		
8		1		NS		••Block.....	••Bloc.....	••Block .....	•• 블록 .....	••Bloque.....		
9		1		NS		••Plate .....	••Plaque .....	••Platte .....	•• 플레이트 .....	••Placa.....		
10	SA 8230-09800	2				•Plate .....	•Plaque.....	•Platte .....	• 플레이트 .....	•Placa.....		
11		1		NS		••Plate .....	••Plaque .....	••Platte .....	•• 플레이트 .....	••Placa.....		
12		1		NS		••Bushing .....	••Bague .....	••Buchse.....	•• 부싱 .....	••Casquillo.....		
13	SA 7223-00450	2				•Check valve .....	•Valve antiretour.....	•Rückschlagventil.....	• 체크 밸브 .....	•Valvula retencion.....		
14		1		NS		••Seat .....	••Siege .....	••Sitz.....	•• 시트 .....	••Asiento.....		
15		1		NS		••Guard .....	••Protection .....	••Schutz.....	•• 가드 .....	••Proteccion.....		
16	SA 9676-73200	1				•Ball .....	•Bille.....	•Kugel .....	• 볼 .....	•Bola.....		
17	SA 7223-00460	2				•Check valve .....	•Valve antiretour.....	•Rückschlagventil.....	• 체크 밸브 .....	•Valvula retencion.....		
18		1		NS		••Seat .....	••Siege .....	••Sitz.....	•• 시트 .....	••Asiento.....		
19		1		NS		••Guard .....	••Protection .....	••Schutz.....	•• 가드 .....	••Proteccion.....		
20	SA 9676-73200	1				•Ball .....	•Bille.....	•Kugel .....	• 볼 .....	•Bola.....		
21	SA 8230-09020	1				•Valve.....	•Soupape .....	•Ventil.....	• 밸브 .....	•Valvula.....		
22	SA 8230-09100	1				•Shaft .....	•Arbre .....	•Welle.....	• 샤프트 .....	•Arbol.....		
23	SA 8230-09070	1				•Shaft .....	•Arbre .....	•Welle.....	• 샤프트 .....	•Arbol.....		
24	SA 8230-09660	1				•Coupling .....	•Accouplement .....	•Kupplung.....	• 커플링 .....	•Acoplamiento.....		
25	SA 8230-26610	2				•Roller Bearing .....	•Roulem.rouleaux.....	•Rollenlager.....	• 롤러 베어링 .....	•Cojinet Rodillo.....		
26	SA 8230-26700	2				•Needle Bearing .....	•Roule.aiguilles .....	•Nadellager.....	• 니들 베어링 .....	•Cojinete Agujas.....		
27	SA 8230-14530	4				•Spacer .....	•Partie Interme. ....	•Zwischenstück .....	• 스페이서 .....	•Espaciador.....		
28	SA 8230-09370	2				•Plate .....	•Plaque.....	•Platte.....	• 플레이트 .....	•Placa.....		
29	SA 8230-09680	2				•Bushing.....	•Bague .....	•Buchse.....	• 부싱 .....	•Casquillo.....		

1	8277784	<b>Bomba hidráulica</b> 유압 펌프 <b>Hydraulikpumpe</b> <b>Pompe hydraulique</b> <b>Hydraulic pump</b>	Catalogue id	Group
2			<b>56141</b>	<b>913</b>
3			Illustr. No	Section
4			<b>TA218</b>	<b>200</b>
5			Issue	Page
			<b>VOE 7414356141</b>	<b>431</b>



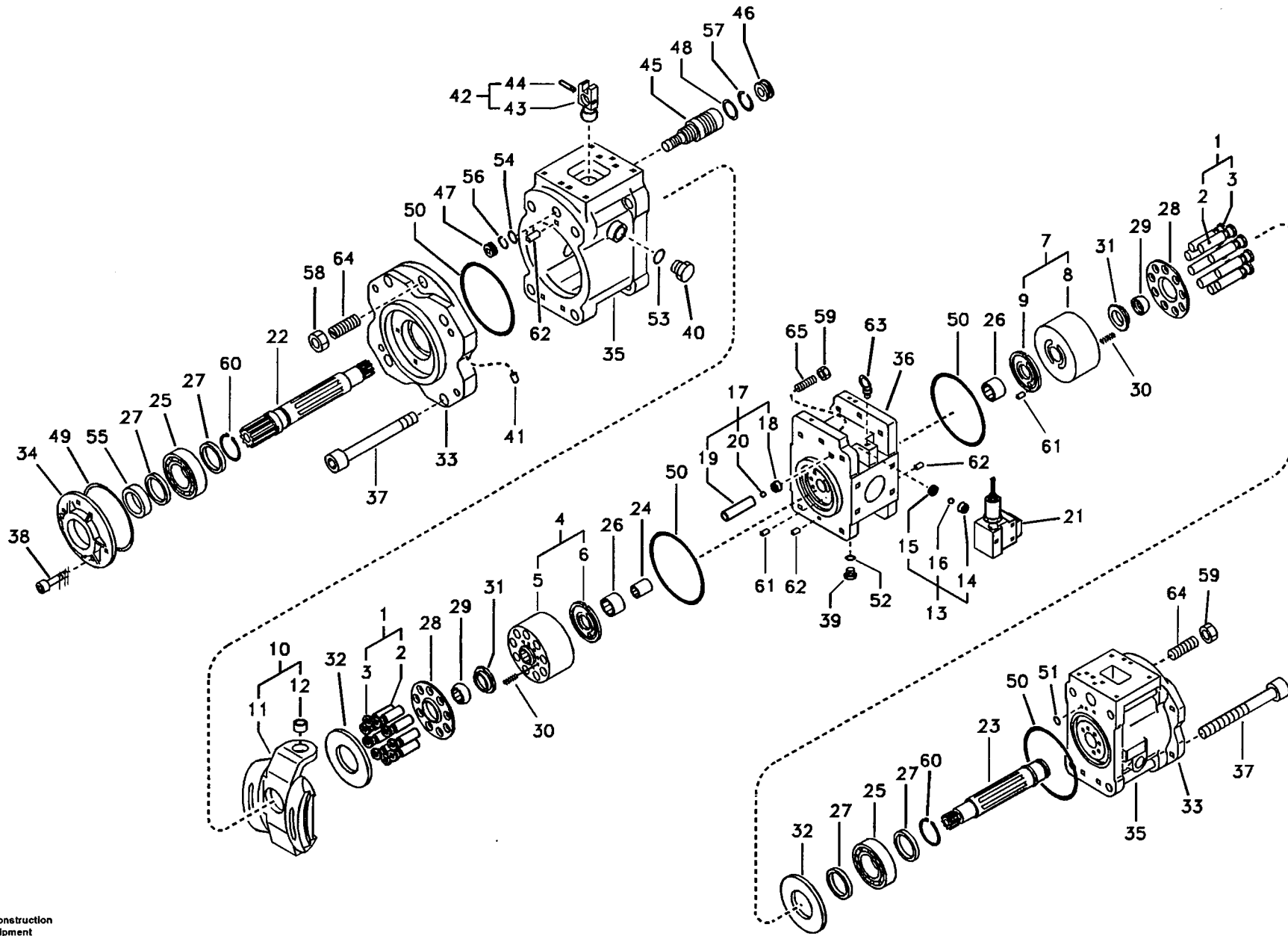


Fig.	Part No.	Quantity			P S	K T	Description	Dénomination	Bezeichnung	품명	Denominación	Notes
		1	2	3								
30	SA 8230-09710	18				•Spring .....	•Ressort .....	•Feder.....	• 스프링 .....	•Muelle.....		
31	SA 8230-09670	2				•Spacer .....	•Partie Interme. ....	•Zwischenstück .....	• 스페이서 .....	•Espaciador.....		
32	SA 8230-21920	2				•Plate .....	•Plaque.....	•Platte.....	• 플레이트 .....	•Placa.....		
33	SA 8230-08940	2				•Support .....	•Support .....	•Stütze.....	• 서포트 .....	•Apoyo.....		
34	SA 8230-09350	1				•Cover .....	•Capot .....	•Haube .....	• 커버 .....	•Capo.....		
35	SA 8230-08930	1				•Body .....	•Carcasse.....	•Rumpf .....	• 본체 .....	•Cuerpo.....		
36	SA 8230-08980	1				•Valve assembly .....	•Bloc-soupape.....	•ventilgruppe .....	• 밸브 어셈블리 .....	•Bloque de valvula....		
37	SA 8230-09690	8				•Bolt .....	•Boulon.....	•Bolzen .....	• 볼트 .....	•Perno.....		
38	SA 9016-10804	4				•Bolt .....	•Boulon.....	•Bolzen .....	• 볼트 .....	•Perno.....		
39	SA 9415-11021	3				•Plug .....	•Bouchon.....	•Stopfen .....	• 플러그 .....	•Tapon.....		
40	SA 9415-11051	4				•Plug .....	•Bouchon.....	•Stopfen .....	• 플러그 .....	•Tapon.....		
41	SA 7242-11040	21				•Plug .....	•Bouchon.....	•Stopfen .....	• 플러그 .....	•Tapon.....		
42	SA 8230-09790	2				•Pin .....	•Goupille.....	•Zapfen .....	• 핀 .....	•Pasador.....		
43		1			NS	•Pin .....	•Goupille .....	•Zapfen .....	• 핀 .....	•Pasador.....		
44		1			NS	•Pin .....	•Goupille .....	•Zapfen .....	• 핀 .....	•Pasador.....		
45	SA 8230-09250	2				•Piston.....	•Piston .....	•Kolben.....	• 피스톤 .....	•Piston.....		
46	SA 8230-09640	2				•Stop .....	•Arrêt.....	•Anschlag .....	• 스톱 .....	•Parada.....		
47	SA 8230-09650	2				•Stop .....	•Arrêt.....	•Anschlag .....	• 스톱 .....	•Parada.....		
48	SA 9511-22035	2			K	•O-ring.....	•Joint Torique .....	•O-ring.....	• 오링 .....	•Junta torica.....		
49	SA 9511-22095	1			K	•O-ring.....	•Joint Torique .....	•O-ring.....	• 오링 .....	•Junta torica.....		
50	SA 9511-22145	4			K	•O-ring.....	•Joint Torique .....	•O-ring.....	• 오링 .....	•Junta torica.....		
51	SA 9511-12008	16			K	•O-ring.....	•Joint Torique .....	•O-ring.....	• 오링 .....	•Junta torica.....		
52	SA 9511-12011	8			K	•O-ring.....	•Joint Torique .....	•O-ring.....	• 오링 .....	•Junta torica.....		
53	SA 9511-12024	4			K	•O-ring.....	•Joint Torique .....	•O-ring.....	• 오링 .....	•Junta torica.....		
54	SA 9511-12018	2			K	•O-ring.....	•Joint Torique .....	•O-ring.....	• 오링 .....	•Junta torica.....		
55	SA 8230-26900	1			K	•Seal .....	•Plomb.....	•Plombe.....	• 시일 .....	•Plomo.....		
56	SA 9566-10180	2			K	•Ring .....	•Anneau .....	•Ring.....	• 링 .....	•Anillo.....		
57	SA 9566-20350	2			K	•Ring .....	•Anneau .....	•Ring.....	• 링 .....	•Anillo.....		
58	SA 8230-25620	2				•Nut .....	•Ecrou .....	•Mutter.....	• 너트 .....	•Tuerca.....		
59	SA 9111-12000	2				•Nut .....	•Ecrou .....	•Mutter.....	• 너트 .....	•Tuerca.....		

1	8277784	<b>Bomba hidráulica</b> 유압 펌프 <b>Hydraulikpumpe</b> <b>Pompe hydraulique</b> <b>Hydraulic pump</b>	Catalogue id	Group
2			<b>56141</b>	<b>913</b>
3			Illustr. No	Section
4			<b>TA218</b>	<b>200</b>
5			Issue	Page
		<b>VOE 7414356141</b>	<b>433</b>	

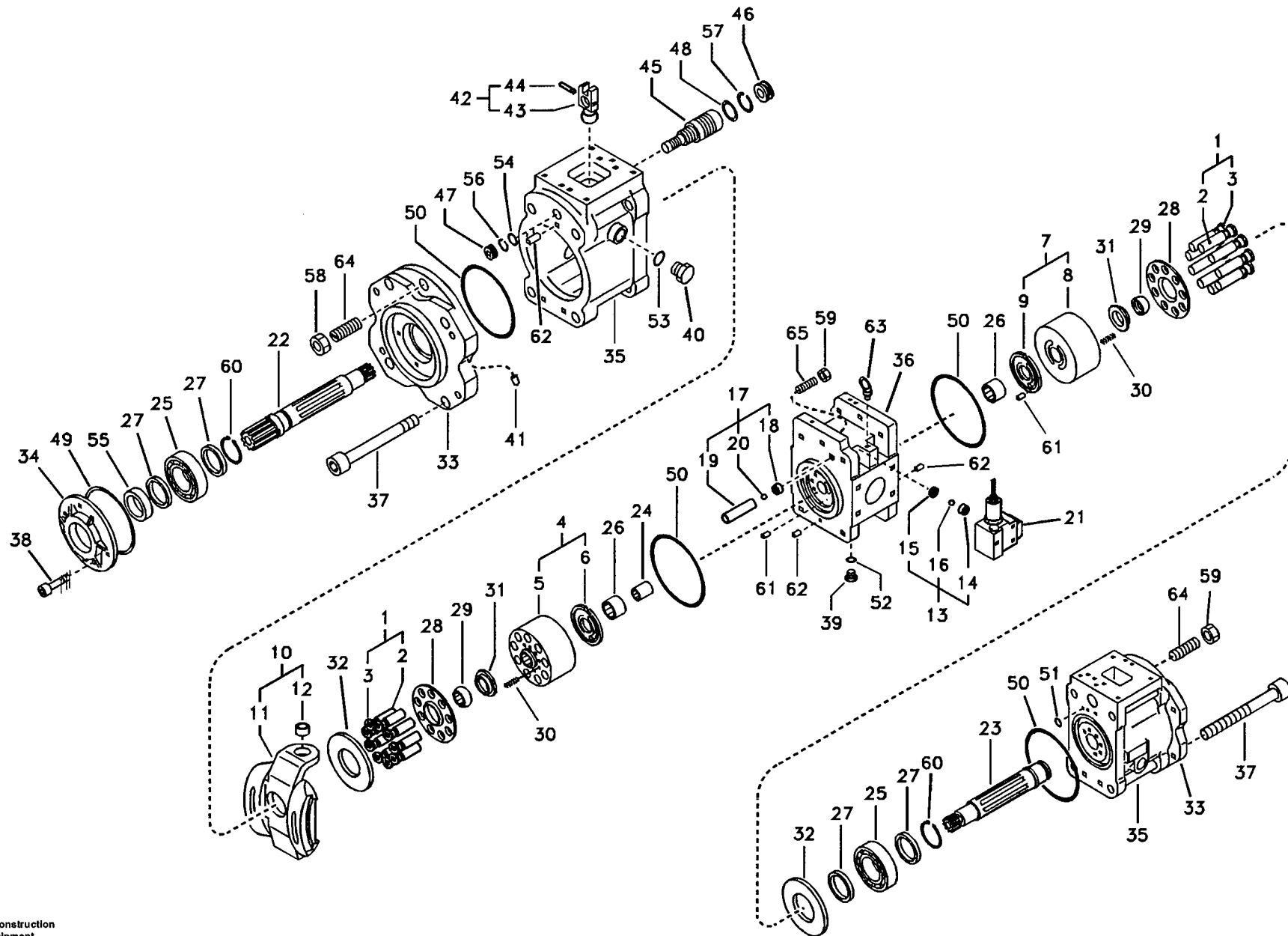


Fig.	Part No.	Quantity			P S	K T	Description	Dénomination	Bezeichnung	품명	Denominación	Notes
		1	2	3								
60	SA 8230-25980	2				•Ring .....	•Anneau .....	•Ring.....	• 링 .....	•Anillo.....		
61	SA 8230-26430	2				•Plate .....	•Plaque.....	•Platte.....	• 플레이트 .....	•Placa.....		
62	SA 7223-00660	4				•Spring Pin .....	•Boulon de ressort.....	•Federstift.....	• 스프링 핀 .....	•Pasador Resorte.....		
63	SA 8230-25450	2				•Eye Bolt .....	•Boulon Oeillet .....	•Ringschraube.....	• 아이 볼트 .....	•Perno De Aro.....		
64	SA 8230-26780	2				•Bolt .....	•Boulon.....	•Bolzen.....	• 볼트 .....	•Perno.....		
65	SA 8230-09700	2				•Bolt .....	•Boulon.....	•Bolzen.....	• 볼트 .....	•Perno.....		
100	SA 8148-13080	1				Sealing Kit.....	Jeu Joints.....	Dichtungssatz .....	시일 키트 .....	Juego Retenes.....		

1	8277784	<b>Bomba hidráulica</b> 유압 펌프 <b>Hydraulikpumpe</b> <b>Pompe hydraulique</b> <b>Hydraulic pump</b>	Catalogue id	Group
2			<b>56141</b>	<b>913</b>
3			Illustr. No	Section
4			<b>TA218</b>	<b>200</b>
5			Issue	Page
			<b>VOE 7414356141</b>	<b>435</b>

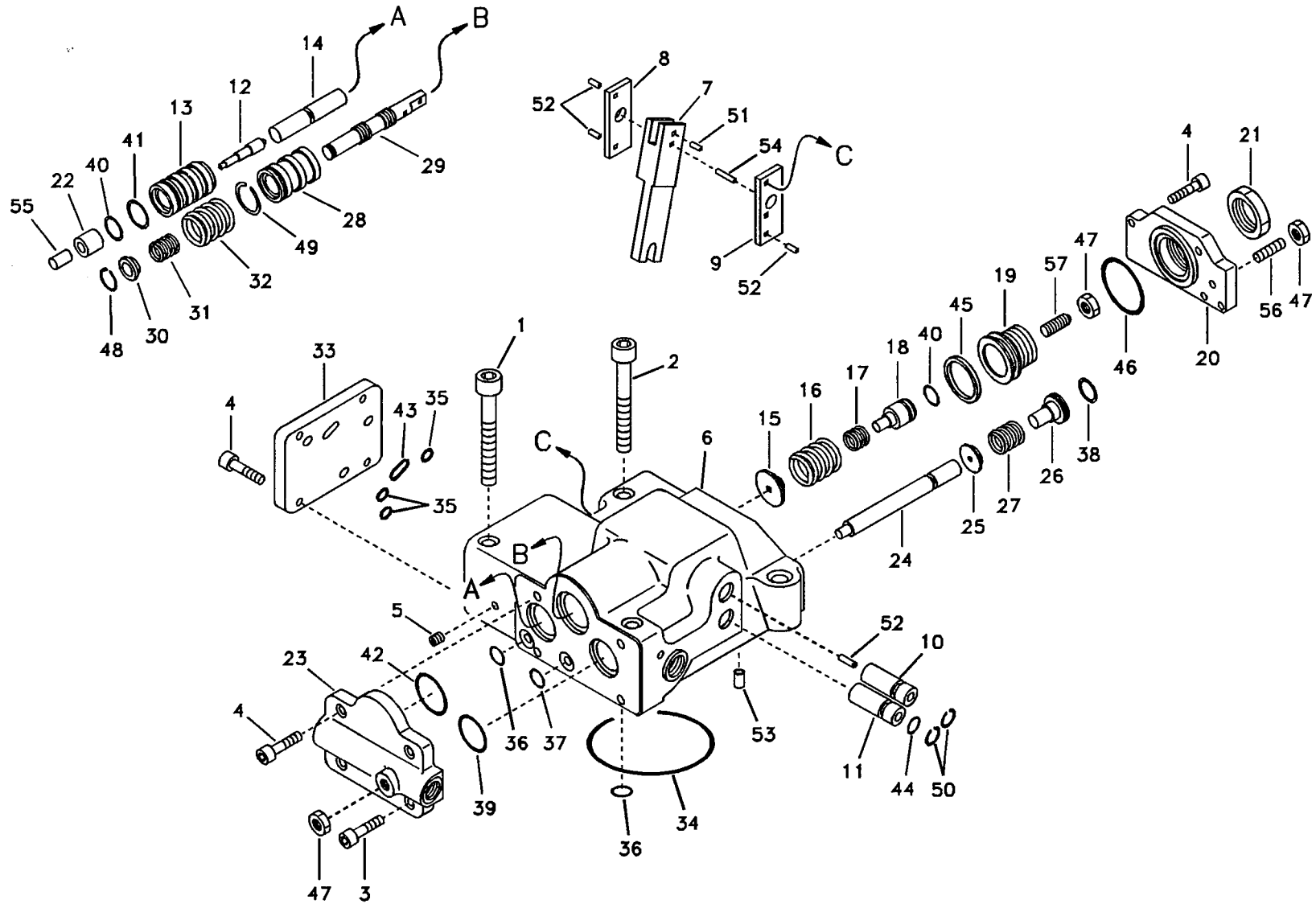


Fig.	Part No.	Quantity			P S	K I T	Description	Dénomination	Bezeichnung	품명	Denominación	Notes
		1	2	3								
	SA 8230-09160	2				Regulator .....	Regulateur .....	Regler .....	레귤레이터 .....	Regulador.....		
1	SA 8230-25910	1				•Bolt .....	•Boulon.....	•Bolzen.....	•볼트 .....	•Perno.....		
2	SA 8230-25920	1				•Bolt .....	•Boulon.....	•Bolzen.....	•볼트 .....	•Perno.....		
3	SA 8230-25860	1				•Bolt .....	•Boulon.....	•Bolzen.....	•볼트 .....	•Perno.....		
4	SA 8230-25850	1				•Bolt .....	•Boulon.....	•Bolzen.....	•볼트 .....	•Perno.....		
5	SA 7242-11040	1				•Plug .....	•Bouchon.....	•Stopfen .....	•플러그 .....	•Tapon.....		
6		1			NS	•Casing .....	•Boitier.....	•Gehäuse .....	•케이싱 .....	•Cubierta.....		
7		1			NS	•Lever .....	•Levier .....	•Hebel .....	•레버 .....	•Palanca.....		
8		1			NS	•Lever.....	•Levier .....	•Hebel .....	•레버 .....	•Palanca.....		
9		1			NS	•Lever.....	•Levier .....	•Hebel .....	•레버 .....	•Palanca.....		
10		1			NS	•Plug .....	•Bouchon.....	•Stopfen .....	•플러그 .....	•Tapon.....		
11		1			NS	•Plug .....	•Bouchon.....	•Stopfen .....	•플러그 .....	•Tapon.....		
12		1			NS	•Piston.....	•Piston.....	•Kolben.....	•피스톤 .....	•Piston.....		
13		1			NS	•Sleeve.....	•Manchon.....	•Muffe .....	•슬리브 .....	•Manguito.....		
14		1			NS	•Bar .....	•Barre .....	•Stab .....	•바 .....	•Barra.....		
15		1			NS	•Seat .....	•Siege .....	•Sitz .....	•시트 .....	•Asiento.....		
16		1			NS	•Spring .....	•Ressort .....	•Feder.....	•스프링 .....	•Muelle.....		
17		1			NS	•Spring .....	•Ressort .....	•Feder.....	•스프링 .....	•Muelle.....		
18		1			NS	•Stem .....	•Queue Soupape.....	•Stange .....	•스텝 .....	•Vastago.....		
19		1			NS	•Screw.....	•Vis .....	•Schraube.....	•스크류 .....	•Tornillo.....		
20		1			NS	•Cover .....	•Capot .....	•Haube .....	•커버 .....	•Capo.....		
21		1			NS	•Lock Nut .....	•Contre-ecrou.....	•Sicher Mutter.....	•록 너트 .....	•Contratuerca.....		
22		1			NS	•Sleeve.....	•Manchon.....	•Muffe .....	•슬리브 .....	•Manguito.....		
23		1			NS	•Cover .....	•Capot .....	•Haube .....	•커버 .....	•Capo.....		
24		1			NS	•Piston.....	•Piston.....	•Kolben.....	•피스톤 .....	•Piston.....		
25		1			NS	•Seat .....	•Siege.....	•Sitz.....	•시트 .....	•Asiento.....		
26		1			NS	•Stem .....	•Queue Soupape.....	•Stange .....	•스텝 .....	•Vastago.....		
27		1			NS	•Spring .....	•Ressort .....	•Feder.....	•스프링 .....	•Muelle.....		
28		1			NS	•Sleeve.....	•Manchon.....	•Muffe .....	•슬리브 .....	•Manguito.....		
29		1			NS	•Slide.....	•Tiroir.....	•Schieber.....	•슬라이드 .....	•Corredera.....		

1	8277784	<b>Regulador, bomba hidráulica</b> 유압 펌프 레귤레이터 <b>Regler, Hydraulikpumpe</b> <b>Régulateur, pompe hydraulique</b> <b>Regulator, hydraulic pump</b>	Catalogue id	Group
2			<b>56141</b>	<b>913</b>
3			Illustr. No	Section
4			<b>TA219</b>	<b>300</b>
5			Issue	Page
			<b>VOE 7414356141</b>	<b>437</b>

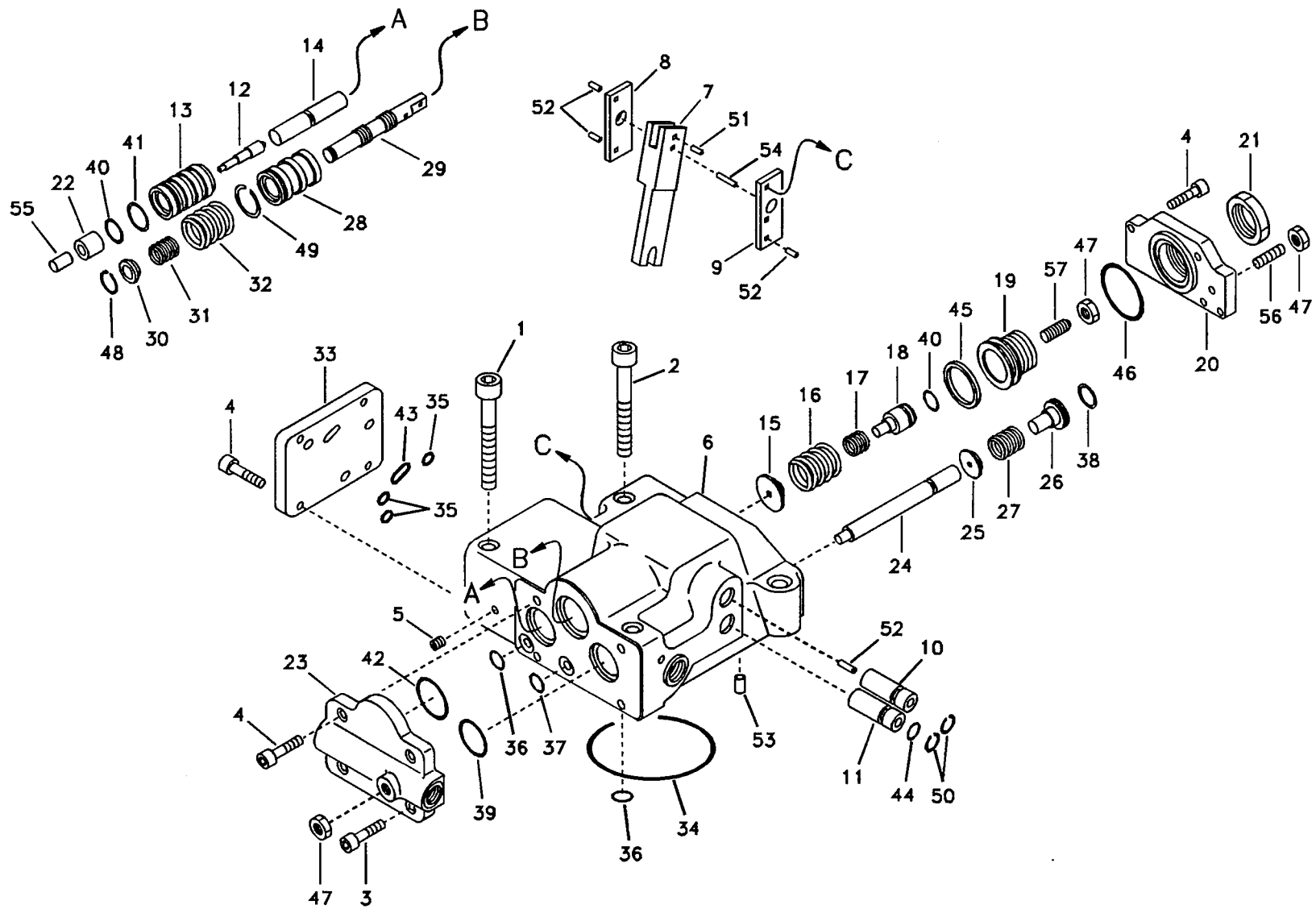


Fig.	Part No.	Quantity			P S	K I T	Description	Dénomination	Bezeichnung	품명	Denominación	Notes
		1	2	3								
30		1			NS	•Seat .....	•Siege.....	•Sitz.....	•시트.....	•Asiento.....		
31		1			NS	•Spring .....	•Ressort .....	•Feder.....	•스프링.....	•Muelle.....		
32		1			NS	•Spring .....	•Ressort .....	•Feder.....	•스프링.....	•Muelle.....		
33		1			NS	•Cover .....	•Capot.....	•Haube.....	•커버.....	•Capo.....		
34	SA 9511-22075	1			K	•O-ring.....	•Joint Torique.....	•O-ring.....	•오링.....	•Junta torica.....		
35	SA 9511-12006	1			K	•O-ring.....	•Joint Torique.....	•O-ring.....	•오링.....	•Junta torica.....		
36	SA 9511-12008	1			K	•O-ring.....	•Joint Torique.....	•O-ring.....	•오링.....	•Junta torica.....		
37	SA 9511-12010	1			K	•O-ring.....	•Joint Torique.....	•O-ring.....	•오링.....	•Junta torica.....		
38	SA 9511-12018	1			K	•O-ring.....	•Joint Torique.....	•O-ring.....	•오링.....	•Junta torica.....		
39	SA 9511-12022	1			K	•O-ring.....	•Joint Torique.....	•O-ring.....	•오링.....	•Junta torica.....		
40	SA 9511-12016	1			K	•O-ring.....	•Joint Torique.....	•O-ring.....	•오링.....	•Junta torica.....		
41	SA 9511-12020	1			K	•O-ring.....	•Joint Torique.....	•O-ring.....	•오링.....	•Junta torica.....		
42	SA 9511-22025	1			K	•O-ring.....	•Joint Torique.....	•O-ring.....	•오링.....	•Junta torica.....		
43	SA 9511-12013	1			K	•O-ring.....	•Joint Torique.....	•O-ring.....	•오링.....	•Junta torica.....		
44	SA 9511-12011	2			K	•O-ring.....	•Joint Torique.....	•O-ring.....	•오링.....	•Junta torica.....		
45	SA 9511-12026	1			K	•O-ring.....	•Joint Torique.....	•O-ring.....	•오링.....	•Junta torica.....		
46	SA 9511-22035	1			K	•O-ring.....	•Joint Torique.....	•O-ring.....	•오링.....	•Junta torica.....		
47	SA 9113-10800	1				•Nut .....	•Ecrou .....	•Mutter.....	•너트.....	•Tuerca.....		
48	SA 8240-03680	1				•Ring .....	•Anneau .....	•Ring.....	•링.....	•Anillo.....		
49	SA 8230-26960	1				•Ring .....	•Anneau .....	•Ring.....	•링.....	•Anillo.....		
50	SA 8230-25700	1				•Ring .....	•Anneau .....	•Ring.....	•링.....	•Anillo.....		
51		1			NS	•Pin .....	•Goupille.....	•Zapfen.....	•핀.....	•Pasador.....		
52		1			NS	•Pin .....	•Goupille.....	•Zapfen.....	•핀.....	•Pasador.....		
53		1			NS	•Pin .....	•Goupille.....	•Zapfen.....	•핀.....	•Pasador.....		
54		1			NS	•Pin .....	•Goupille.....	•Zapfen.....	•핀.....	•Pasador.....		
55		1			NS	•Pin .....	•Goupille.....	•Zapfen.....	•핀.....	•Pasador.....		
56	SA 8240-04510	1				•Screw.....	•Vis.....	•Schraube.....	•스크류.....	•Tornillo.....		
57		1			NS	•Screw.....	•Vis.....	•Schraube.....	•스크류.....	•Tornillo.....		
100	SA 8148-13080	1				Sealing Kit.....	Jeu Joints.....	Dichtungssatz.....	시일 키트.....	Juego Retenes.....		

1	8277784	<b>Regulador, bomba hidráulica</b> 유압 펌프 레귤레이터 <b>Regler, Hydraulikpumpe</b> <b>Régulateur, pompe hydraulique</b> <b>Regulator, hydraulic pump</b>	Catalogue id	Group
2			<b>56141</b>	<b>913</b>
3			Illustr. No	Section
4			<b>TA219</b>	<b>300</b>
5			Issue	Page
		<b>VOE 7414356141</b>	<b>439</b>	



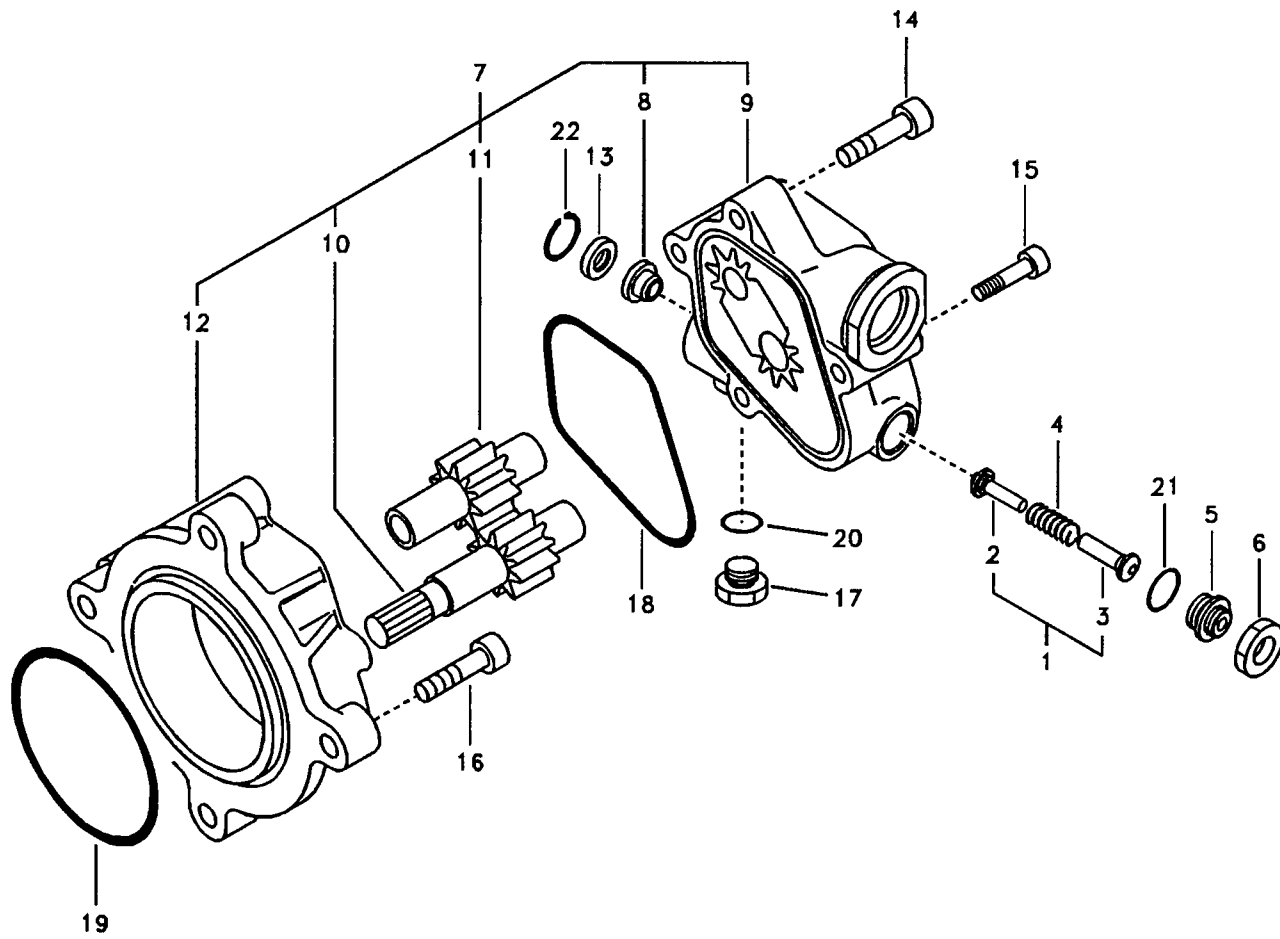


Fig.	Part No.	Quantity			P S	K I T	Description	Dénomination	Bezeichnung	품명	Denominación	Notes
		1	2	3								
	SA 8230-08800	1				Gear Pump.....	Pomp.engrenages.....	Zahnradpumpe .....	기어 펌프 .....	Bomba Engranaje.....		
1	SA 8230-09950	1				•Stay .....	•Tirant.....	•Strebe .....	• 스테이 .....	•Barra.....		
2		1		NS		•Valve .....	•Soupape .....	•Ventil.....	• 밸브 .....	•Valvula.....		
3		1		NS		•Seat .....	•Siege .....	•Sitz.....	• 시트 .....	•Asiento.....		
4	SA 8230-27780	1				•Spring .....	•Ressort .....	•Feder.....	• 스프링 .....	•Muelle.....		
5	SA 8230-28120	1				•Screw.....	•Vis.....	•Schraube.....	• 스크류 .....	•Tornillo.....		
6	SA 8230-08880	1				•Lock Nut .....	•Contre-ecrou.....	•Sicher Mutter.....	• 록 너트 .....	•Contratuerca.....		
7	SA 8230-09940	1		SS		•Case .....	•Etui.....	•Futtermal .....	• 케이스 .....	•Funda.....		
8		1		NS		•Seat .....	•Siege .....	•Sitz.....	• 시트 .....	•Asiento.....		
9		1		NS		•Case .....	•Etui .....	•Futtermal .....	• 케이스 .....	•Funda.....		
10		1		NS		•Gear .....	•Pignon .....	•Zahnradgetriebe .....	• 기어 .....	•Engranaje.....		
11		1		NS		•Gear .....	•Pignon .....	•Zahnradgetriebe .....	• 기어 .....	•Engranaje.....		
12		1		NS		•Case .....	•Etui .....	•Futtermal .....	• 케이스 .....	•Funda.....		
13	SA 8230-08770	1				•Filter.....	•Filtre.....	•Filter.....	• 필터 .....	•Filtro.....		
14	SA 8230-26250	2				•Socket.....	•Socle.....	•Sockel .....	• 소켓 .....	•Zocalo.....		
15	SA 8230-26270	2				•Socket.....	•Socle.....	•Sockel .....	• 소켓 .....	•Zocalo.....		
16	SA 9016-10804	4				•Bolt .....	•Boulon.....	•Bolzen .....	• 볼트 .....	•Perno.....		
17	SA 9415-11021	1				•Plug .....	•Bouchon.....	•Stopfen .....	• 플러그 .....	•Tapon.....		
18	SA 8230-08871	1		K		•Ring .....	•Anneau .....	•Ring.....	• 링 .....	•Anillo.....		
19	SA 9511-22095	1		K		•O-ring.....	•Joint Torique.....	•O-ring.....	• 오링 .....	•Junta torica.....		
20	SA 9511-12011	1		K		•O-ring.....	•Joint Torique.....	•O-ring.....	• 오링 .....	•Junta torica.....		
21	SA 9511-12016	1		K		•O-ring.....	•Joint Torique.....	•O-ring.....	• 오링 .....	•Junta torica.....		
22	SA 8230-25710	1				•Ring .....	•Anneau .....	•Ring.....	• 링 .....	•Anillo.....		
100	SA 8048-01070	1				Sealing Kit.....	Jeu Joints.....	Dichtungssatz .....	시일 키트 .....	Juego Retenes.....		

1	8277784	<b>Engranaje de bomba hidráulica</b> 기어 펌프 <b>Hydraulische Zahnradpumpe</b> <b>Pompe à engrenages hydraulique</b> <b>Hydraulic gear pump</b>	Catalogue id	Group
2			<b>56141</b>	<b>913</b>
3			Illustr. No	Section
4			<b>TA220</b>	<b>400</b>
5			Issue	Page
			<b>VOE 7414356141</b>	<b>441</b>

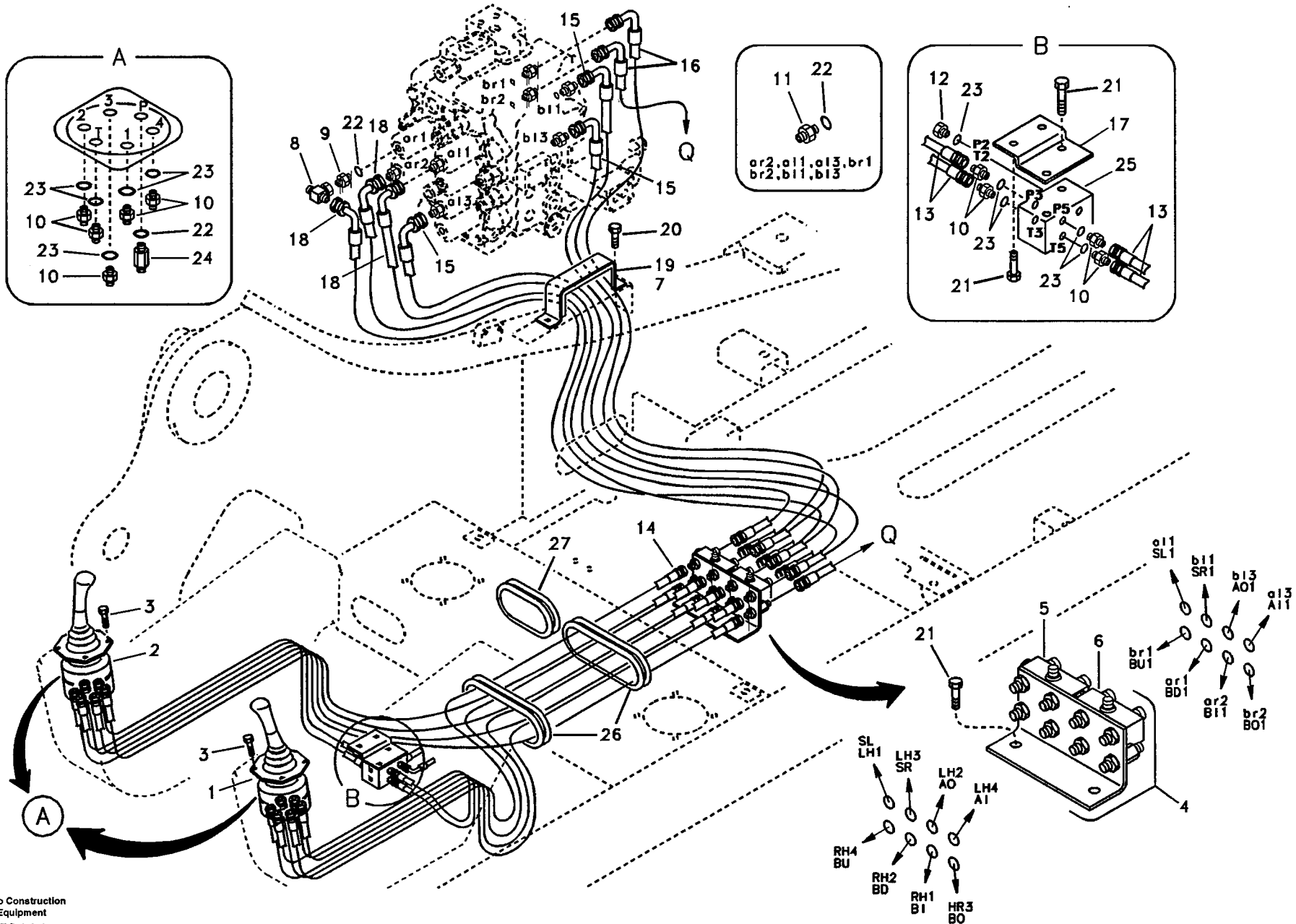


Fig.	Part No.	Quantity					P S	K I T	Description	Dénomination	Bezeichnung	품명	Denominación	Notes
		1	2	3	4	5								
1	SA 1148-01890	1						Rmt Cont Valve.....	Comm.a Distance...	Fernbet Vent .....	원격조종밸브 .....	Valv Contr Dist.....	See group 914, Page 469	
	VOE 14510417			1				Rmt Cont Valve.....	Comm.a Distance...	Fernbet Vent .....	원격조종밸브 .....	Valv Contr Dist.....	See group 914, Page 473	
	VOE 14510419				1			Rmt Cont Valve.....	Comm.a Distance...	Fernbet Vent .....	원격조종밸브 .....	Valv Contr Dist.....	See group 914, Page 477	
2	SA 1148-01900	1						Rmt Cont Valve.....	Comm.a Distance...	Fernbet Vent .....	원격조종밸브 .....	Valv Contr Dist.....	See group 914, Page 469	
	VOE 14510418			1				Rmt Cont Valve.....	Comm.a Distance...	Fernbet Vent .....	원격조종밸브 .....	Valv Contr Dist.....	See group 914, Page 473	
	VOE 14510420				1			Rmt Cont Valve.....	Comm.a Distance...	Fernbet Vent .....	원격조종밸브 .....	Valv Contr Dist.....	See group 914, Page 477	
3	VOE 946934	8	8	8		SS		Screw.....	Vis .....	Schraube .....	스크류.....	Tornillo.....		
4	VOE 14506626	1						Valve.....	Soupape .....	Ventil.....	밸브 .....	Valvula.....		
5	VOE 14506628	1						•Valve .....	•Soupape.....	•Ventil.....	•밸브 .....	•Valvula.....		
6	VOE 14506629	1						•Valve .....	•Soupape.....	•Ventil.....	•밸브 .....	•Valvula.....		
7	VOE 14514623	1						Sponge .....	Eponge .....	Schwamm .....	스폰지.....	Esponja.....		
8	SA 9411-92600	1						Tee.....	Connexion en T .....	T-stuck .....	티 .....	Acoplamiento T.....		
9	SA 9412-11020	1						Connector .....	Raccord .....	Anschluss .....	커넥터.....	Union.....		
10	SA 9412-11030	14						Connector .....	Raccord .....	Anschluss .....	커넥터.....	Union.....		
11	SA 9412-11120	7						Connector .....	Raccord .....	Anschluss .....	커넥터.....	Union.....		
12	SA 9415-11031	2						Plug.....	Bouchon .....	Stopfen .....	플러그.....	Tapon.....		
13	SA 9452-03223	4						Hose .....	Durit.....	Schlauch .....	호스.....	Tubo flexible.....		
14	SA 9452-03237	8						Hose .....	Durit.....	Schlauch .....	호스.....	Tubo flexible.....		
15	SA 9453-03229	3						Hose .....	Durit.....	Schlauch .....	호스.....	Tubo flexible.....		
16	SA 9453-03231	2						Hose .....	Durit.....	Schlauch .....	호스.....	Tubo flexible.....		
17	SA 1148-01230	1						Bracket.....	Ferrure-support .....	Tragstutse .....	브라켓.....	Hierro Apoya.....		
18	SA 9453-03230	3						Hose .....	Durit.....	Schlauch .....	호스.....	Tubo flexible.....		
19	VOE 14510119	1						Clamp .....	Pince Serrage .....	Klemme .....	클램프.....	Abrazadera.....		
20	VOE 946173	2				SS		Screw.....	Vis .....	Schraube .....	스크류.....	Tornillo.....		
21	VOE 946441	6						Flange Screw.....	Vis A Bride .....	Flanschschraube .....	플랜지 스크류.....	Torn Embridado.....		
22	SA 9511-12011	10						O-ring.....	Joint Torique .....	O-ring.....	오링 .....	Junta torica.....		
23	SA 9511-12014	16						O-ring.....	Joint Torique .....	O-ring.....	오링 .....	Junta torica.....		
24	SA 1048-10530	2						Connector .....	Raccord .....	Anschluss .....	커넥터.....	Union.....		
25	SA 1148-01220	1						Block.....	Bloc .....	Block.....	블록.....	Bloque.....		
26	VOE 14508019	2						Grommet.....	Passe fil.....	Durchführung .....	그로메트 .....	Aislador pasapanel.		

1	8277784	<b>Servosistema, válvula de control a válvula de mando a distan</b> 서보 배관 , 제어밸브 에서 원격조종밸브 <b>Servosystem, Steuerventil zu Vorsteuergerät</b> <b>Système servo, valve commande vers valve commande a distance</b> <b>Servo system, control valve to remote control valve</b>	Catalogue id	Group
2	8277146		56141	914
3	8277147		Illustr. No	Section
4	8277148		TA221	100
5			Issue	Page
		VOE 7414356141	443	

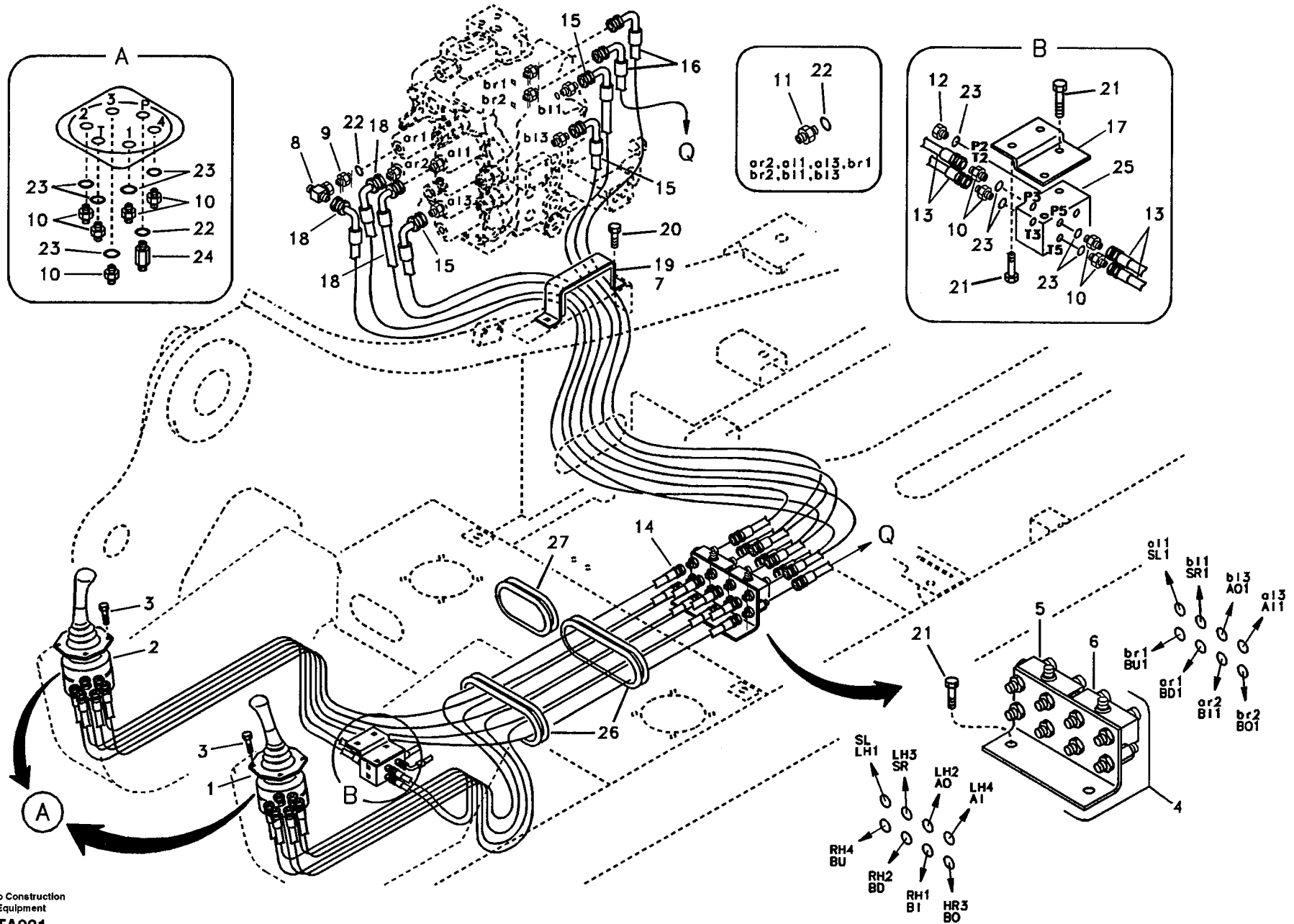


Fig.	Part No.	Quantity					P S	K I T	Description	Dénomination	Bezeichnung	품명	Denominación	Notes
		1	2	3	4	5								

27 SA 1048-00110 1 Grommet.....Passe fil..... Durchführung ..... 그로메트 ..... Aislador pasapanel.

1	8277784	<b>Servosistema, válvula de control a válvula de mando a distan</b> 서보 배관 , 제어밸브 에서 원격조종밸브 <b>Servosystem, Steuerventil zu Vorsteuergerät</b> <b>Système servo, valve commande vers valve commande a distance</b> <b>Servo system, control valve to remote control valve</b>	Catalogue id	Group
2	8277146		<b>56141</b>	<b>914</b>
3	8277147		Illustr. No	Section
4	8277148		<b>TA221</b>	<b>100</b>
5			Issue	Page
			<b>VOE 7414356141</b>	<b>445</b>

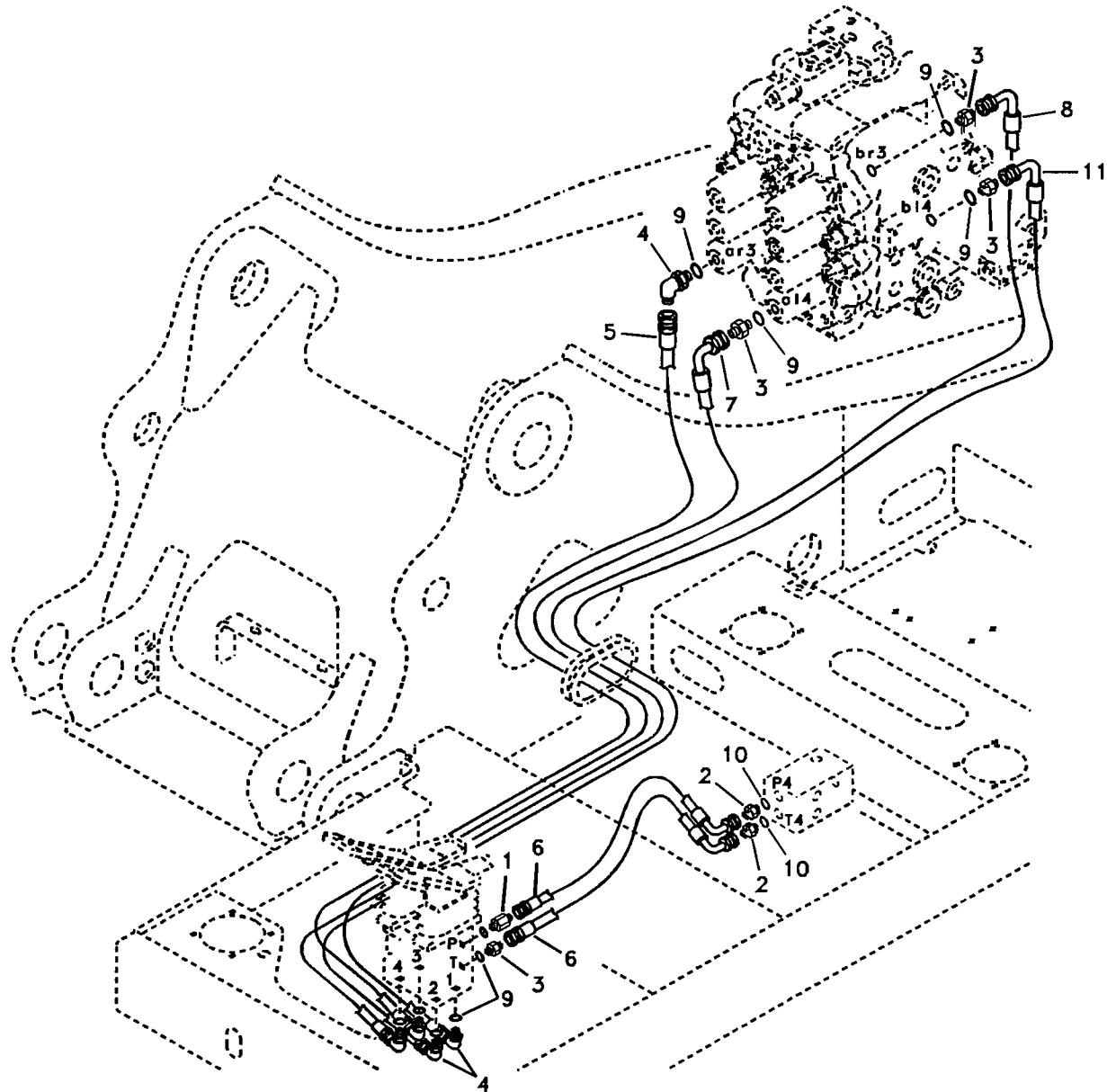


Fig.	Part No.	Quantity			P S	K I T	Description	Dénomination	Bezeichnung	품명	Denominación	Notes
		1	2	3								
1	SA 1048-10530	1				Connector .....	Raccord.....	Anschluss .....	커넥터 .....	Union.....		
2	SA 9412-11030	2				Connector .....	Raccord.....	Anschluss .....	커넥터 .....	Union.....		
3	SA 9412-11120	4				Connector .....	Raccord.....	Anschluss .....	커넥터 .....	Union.....		
4	SA 9413-11160	5				Elbow .....	Coude .....	Winkelstueck .....	엘보 .....	Codo.....		
5	SA 9451-03249	1				Hose.....	Durit .....	Schlauch .....	호스 .....	Tubo flexible.....		
6	SA 9452-03221	2				Hose.....	Durit .....	Schlauch .....	호스 .....	Tubo flexible.....		
7	SA 9453-03247	1				Hose.....	Durit .....	Schlauch .....	호스 .....	Tubo flexible.....		
8	SA 9453-03256	1				Hose.....	Durit .....	Schlauch .....	호스 .....	Tubo flexible.....		
9	SA 9511-12011	10				O-ring .....	Joint Torique .....	O-ring .....	오링 .....	Junta torica.....		
10	SA 9511-12014	2				O-ring .....	Joint Torique .....	O-ring .....	오링 .....	Junta torica.....		
11	SA 9453-03255	1				Hose.....	Durit .....	Schlauch .....	호스 .....	Tubo flexible.....		

1	8277784	<b>Servosistema, válvula de control a válvula pedal de mando a distan</b> 서보 배관 , 제어밸브 에서 원격조종밸브 페달 <b>Servosystem, Steuerventil zu Pedal für Fernbetätigungsventil</b> <b>Système servo, valve commande vers valve pedale commande a distance</b> <b>Servo system, control valve to remote control valve pedal</b>	Catalogue id	Group
2			<b>56141</b>	<b>914</b>
3			Illustr. No	Section
4			<b>TA222</b>	<b>200</b>
5			Issue	Page
		<b>VOE 7414356141</b>	<b>447</b>	

**VOLVO**

**EC210B**



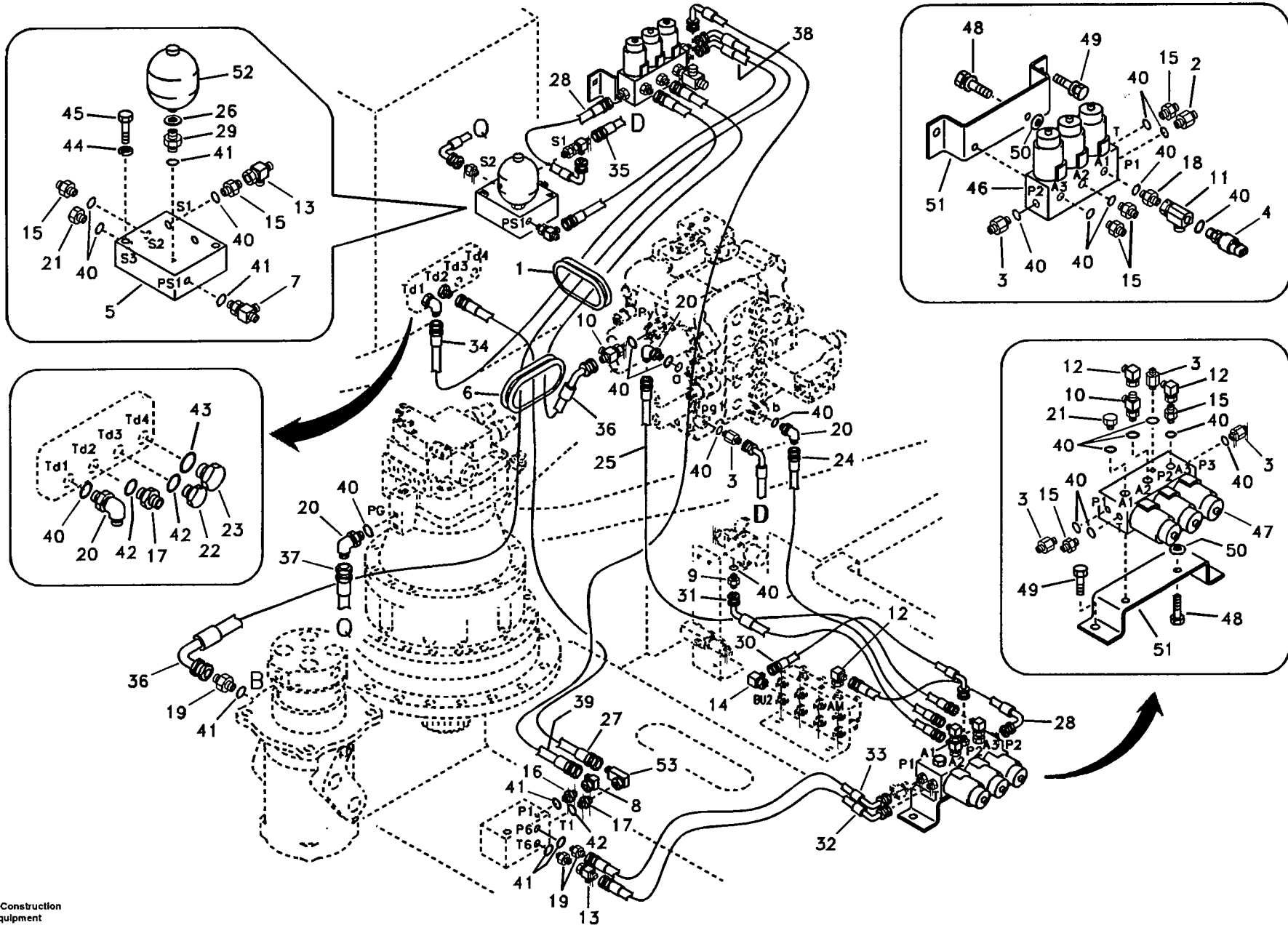


Fig.	Part No.	Quantity			P S	K I T	Description	Dénomination	Bezeichnung	품명	Denominación	Notes
		1	2	3								
1	SA 1048-00110	1				Grommet.....	Passe fil .....	Durchführung.....	그로메트 .....	Aislador pasapanel....		
2	SA 1048-10530	1				Connector .....	Raccord.....	Anschluss .....	커넥터 .....	Union.....		
3	SA 1048-10540	5				Connector .....	Raccord.....	Anschluss .....	커넥터 .....	Union.....		
4	SA 1127-02020	1				Switch .....	Contacteur .....	Schalter.....	스위치 .....	Contacteur.....	Pressure	
5	SA 1148-00131	1				Block .....	Bloc.....	Block .....	블록 .....	Bloque.....		
6	SA 1148-01280	1				Grommet.....	Passe fil .....	Durchführung.....	그로메트 .....	Aislador pasapanel....		
7	VOE 14880126	1				Tee.....	Connexion en T.....	T-stuck .....	티 .....	Acoplamiento T.....		
8	SA 9411-90490	1				Elbow .....	Coude .....	Winkelstueck .....	엘보 .....	Coda.....		
9	SA 9411-92321	1				Connector .....	Raccord.....	Anschluss .....	커넥터 .....	Union.....		
10	SA 9411-92350	1				Tee.....	Connexion en T.....	T-stuck .....	티 .....	Acoplamiento T.....		
11	SA 9411-94640	1				Tee.....	Connexion en T.....	T-stuck .....	티 .....	Acoplamiento T.....		
12	SA 9411-95190	3				Elbow .....	Coude .....	Winkelstueck .....	엘보 .....	Coda.....		
13	SA 9411-95440	2				Tee.....	Connexion en T.....	T-stuck .....	티 .....	Acoplamiento T.....		
14	SA 9411-96110	1				Tee.....	Connexion en T.....	T-stuck .....	티 .....	Acoplamiento T.....		
15	SA 9412-11020	8				Connector .....	Raccord.....	Anschluss .....	커넥터 .....	Union.....		
16	SA 9412-11030	1				Connector .....	Raccord.....	Anschluss .....	커넥터 .....	Union.....		
17	SA 9412-11040	2				Connector .....	Raccord.....	Anschluss .....	커넥터 .....	Union.....		
18	SA 9412-11120	1				Connector .....	Raccord.....	Anschluss .....	커넥터 .....	Union.....		
19	SA 9412-11130	3				Connector .....	Raccord.....	Anschluss .....	커넥터 .....	Union.....		
20	SA 9413-11010	3				Elbow .....	Coude .....	Winkelstueck .....	엘보 .....	Coda.....		
21	SA 9415-11021	2				Plug.....	Bouchon.....	Stopfen .....	플러그 .....	Tapon.....		
22	SA 9415-11041	1				Plug.....	Bouchon.....	Stopfen .....	플러그 .....	Tapon.....		
23	SA 9415-11051	1				Plug.....	Bouchon.....	Stopfen .....	플러그 .....	Tapon.....		
24	SA 9451-02227	1				Hose.....	Durit .....	Schlauch .....	호스 .....	Tubo flexible.....		
25	SA 9451-02234	1				Hose.....	Durit .....	Schlauch .....	호스 .....	Tubo flexible.....		
26	SA 9426-10040	1				Gasket.....	Joint .....	Dichtung .....	가스켓 .....	Junta.....		
27	SA 9451-04245	1				Hose.....	Durit .....	Schlauch .....	호스 .....	Tubo flexible.....		
28	SA 9453-02207	2				Hose.....	Durit .....	Schlauch .....	호스 .....	Tubo flexible.....		
29	SA 9412-12150	1				Connector .....	Raccord.....	Anschluss .....	커넥터 .....	Union.....		
30	SA 9453-02210	1				Hose.....	Durit .....	Schlauch .....	호스 .....	Tubo flexible.....		

1	8277784	<b>Servosistema, válvula de control a válvula solenoide</b> 서보 배관 , 제어밸브 에서 솔레노이드 밸브 <b>Servosystem. Steuerventil zu Magnetventil</b> <b>Système servo, valve de commande vers valve de solénoïde</b> <b>Servo system, control valve to solenoid valve</b>	Catalogue id	Group
2			56141	914
3			Illustr. No	Section
4			TA223	300
5			Issue	Page
			VOE 7414356141	449

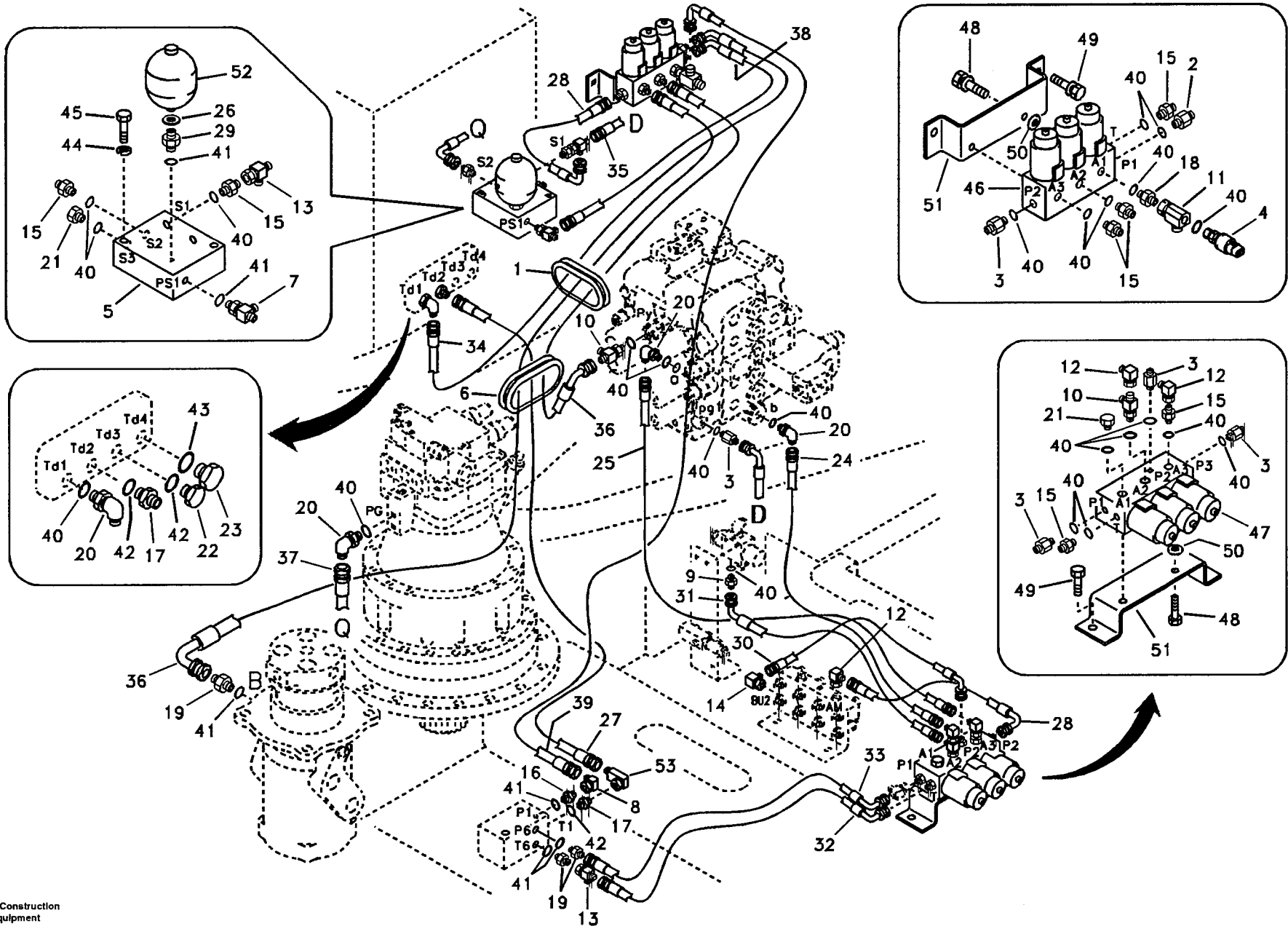


Fig.	Part No.	Quantity			P S	K I T	Description	Dénomination	Bezeichnung	품명	Denominación	Notes
		1	2	3								
31	SA 9453-02215	1					Hose.....	Durit .....	Schlauch .....	호스 .....	Tubo flexible.....	
32	SA 9453-02218	1					Hose.....	Durit .....	Schlauch .....	호스 .....	Tubo flexible.....	
33	SA 9453-02221	1					Hose.....	Durit .....	Schlauch .....	호스 .....	Tubo flexible.....	
34	SA 9453-02227	1					Hose.....	Durit .....	Schlauch .....	호스 .....	Tubo flexible.....	
35	SA 9453-02237	1					Hose.....	Durit .....	Schlauch .....	호스 .....	Tubo flexible.....	
36	SA 9453-02242	2					Hose.....	Durit .....	Schlauch .....	호스 .....	Tubo flexible.....	
37	SA 9453-02246	1					Hose.....	Durit .....	Schlauch .....	호스 .....	Tubo flexible.....	
38	SA 9453-03212	1					Hose.....	Durit .....	Schlauch .....	호스 .....	Tubo flexible.....	
39	SA 9453-03265	1					Hose.....	Durit .....	Schlauch .....	호스 .....	Tubo flexible.....	
40	SA 9511-12011	24					O-ring .....	Joint Torique .....	O-ring .....	오링 .....	Junta torica.....	
41	SA 9511-12014	6					O-ring .....	Joint Torique .....	O-ring .....	오링 .....	Junta torica.....	
42	SA 9511-12018	3					O-ring .....	Joint Torique .....	O-ring .....	오링 .....	Junta torica.....	
43	SA 9511-12024	1					O-ring .....	Joint Torique .....	O-ring .....	오링 .....	Junta torica.....	
44	VOE 955921	2					Spring Washer .....	Rondelle ressort.....	Federscheibe.....	스프링 와셔 .....	Arandela resorte.....	
45	VOE 983248	2					Screw .....	Vis .....	Schraube .....	스크류 .....	Tornillo.....	
46	SA 1148-00041	1					Solenoid Valve .....	Vanne electrom.....	Magnetventil.....	솔레노이드 밸브 .....	Electrovalvula.....	See group 914, Page 467
47	VOE 14500438	1					Solenoid Valve .....	Vanne electrom.....	Magnetventil.....	솔레노이드 밸브 .....	Electrovalvula.....	See group 914, Page 467
48	VOE 946440	4					Flange Screw .....	Vis A Bride .....	Flanschschrabe .....	플랜지 스크류 .....	Torn Embridado.....	
49	VOE 946441	4					Flange Screw .....	Vis A Bride .....	Flanschschrabe .....	플랜지 스크류 .....	Torn Embridado.....	
50	SA 9211-08000	4					Washer.....	Rondelle.....	Scheibe .....	와셔 .....	Arandela.....	
51	SA 1148-30041	2					Plate.....	Plaque.....	Platte .....	플레이트 .....	Placa.....	
52	SA 1048-10300	1					Accumulator .....	Accumulateur.....	Speicher .....	어큐물레이터 .....	Acumulador.....	
53	SA 9411-90250	1					Elbow .....	Coude .....	Winkelstueck .....	엘보 .....	Codo.....	

1	8277784	<b>Servosistema, válvula de control a válvula solenoide</b> 서보 배관 , 제어밸브 에서 솔레노이드 밸브 <b>Servosystem. Steuerventil zu Magnetventil</b> <b>Système servo, valve de commande vers valve de solénoïde</b> <b>Servo system, control valve to solenoid valve</b>	Catalogue id	Group
2			<b>56141</b>	<b>914</b>
3			Illustr. No	Section
4			<b>TA223</b>	<b>300</b>
5			Issue	Page
		<b>VOE 7414356141</b>	<b>451</b>	



Fig.	Part No.	Quantity			P S	K I T	Description	Dénomination	Bezeichnung	품명	Denominación	Notes
		1	2	3								
1	SA 1040-80490	2					Nut .....	Ecrou.....	Mutter .....	너트 .....	Tuerca.....	
2	SA 1048-13371	1					Block .....	Bloc.....	Block .....	블록 .....	Bloque.....	
3	SA 1148-00110	1					Valve .....	Soupape.....	Ventil .....	밸브 .....	Valvula.....	
4	VOE 14505336	1					Block .....	Bloc.....	Block .....	블록 .....	Bloque.....	
5	VOE 14505337	1					Bracket.....	Console.....	Konsole.....	브라켓 .....	Ménsula.....	
6	VOE 14507108	3					Tee.....	Connexion en T.....	T-stuck .....	티 .....	Acoplamiento T.....	
7	SA 9411-92180	1					Tee.....	Connexion en T.....	T-stuck .....	티 .....	Acoplamiento T.....	
8	SA 9411-92462	1					Connector .....	Raccord.....	Anschluss .....	커넥터 .....	Union.....	
9	SA 9411-92992	1					Tee.....	Connexion en T.....	T-stuck .....	티 .....	Acoplamiento T.....	
10	SA 9411-93900	1					Tee.....	Connexion en T.....	T-stuck .....	티 .....	Acoplamiento T.....	
11	SA 9411-95440	1					Tee.....	Connexion en T.....	T-stuck .....	티 .....	Acoplamiento T.....	
12	SA 9411-95470	1					Connector .....	Raccord.....	Anschluss .....	커넥터 .....	Union.....	
13	SA 9412-11020	11					Connector .....	Raccord.....	Anschluss .....	커넥터 .....	Union.....	
14	SA 9412-11030	1					Connector .....	Raccord.....	Anschluss .....	커넥터 .....	Union.....	
15	SA 9412-11190	1					Connector .....	Raccord.....	Anschluss .....	커넥터 .....	Union.....	
16	SA 9412-11050	1					Connector .....	Raccord.....	Anschluss .....	커넥터 .....	Union.....	
17	SA 9413-11010	9					Elbow .....	Coude .....	Winkelstueck .....	엘보 .....	Coda.....	
18	SA 9413-11020	1					Elbow .....	Coude .....	Winkelstueck .....	엘보 .....	Coda.....	
19	SA 9451-02208	1					Hose.....	Durit .....	Schlauch .....	호스 .....	Tubo flexible.....	
20	SA 9453-02214	2					Hose.....	Durit .....	Schlauch .....	호스 .....	Tubo flexible.....	
21	SA 9451-02215	1					Hose.....	Durit .....	Schlauch .....	호스 .....	Tubo flexible.....	
22	SA 9451-02217	1					Hose.....	Durit .....	Schlauch .....	호스 .....	Tubo flexible.....	
23	SA 9453-02205	1					Hose.....	Durit .....	Schlauch .....	호스 .....	Tubo flexible.....	
24	SA 9451-02232	1					Hose.....	Durit .....	Schlauch .....	호스 .....	Tubo flexible.....	
25	SA 9451-02211	1					Hose.....	Durit .....	Schlauch .....	호스 .....	Tubo flexible.....	
26	SA 9451-02222	1					Hose.....	Durit .....	Schlauch .....	호스 .....	Tubo flexible.....	
27	SA 9453-02208	1					Hose.....	Durit .....	Schlauch .....	호스 .....	Tubo flexible.....	
28	SA 9453-02209	2					Hose.....	Durit .....	Schlauch .....	호스 .....	Tubo flexible.....	
29	SA 9511-12024	1					O-ring.....	Joint Torique .....	O-ring .....	오링 .....	Junta torica.....	
30	SA 9453-02212	2					Hose.....	Durit .....	Schlauch .....	호스 .....	Tubo flexible.....	

1	8277784	<b>Servosistema, tuberías a válvula de control.</b> 서보 배관 , 제어 밸브 배관 <b>Servosystem, Rohranschluss zu Steuerventil.</b> <b>Système servo, tubage vers valve commande</b> <b>Servo system, control valve piping.</b>	Catalogue id	Group
2			<b>56141</b>	<b>914</b>
3			Illustr. No	Section
4			<b>TA224</b>	<b>400</b>
5			Issue	Page
		<b>VOE 7414356141</b>	<b>453</b>	



Fig.	Part No.	Quantity			P S	K I T	Description	Dénomination	Bezeichnung	품명	Denominación	Notes
		1	2	3								
31	SA 9453-02216	1				Hose.....	Durit .....	Schlauch .....	호스 .....	Tubo flexible.....		
32	SA 9453-02217	1				Hose.....	Durit .....	Schlauch .....	호스 .....	Tubo flexible.....		
33	SA 9453-02218	2				Hose.....	Durit .....	Schlauch .....	호스 .....	Tubo flexible.....		
34	SA 9453-02221	1				Hose.....	Durit .....	Schlauch .....	호스 .....	Tubo flexible.....		
35	SA 9453-02233	1				Hose.....	Durit .....	Schlauch .....	호스 .....	Tubo flexible.....		
36	SA 9453-03608	1				Hose.....	Durit .....	Schlauch .....	호스 .....	Tubo flexible.....		
37	SA 9453-05210	1				Hose.....	Durit .....	Schlauch .....	호스 .....	Tubo flexible.....		
38	VOE 946440	2				Flange Screw .....	Vis A Bride .....	Flanschschraube .....	플랜지 스크류 .....	Torn Embridado.....		
39	VOE 946441	2				Flange Screw .....	Vis A Bride .....	Flanschschraube .....	플랜지 스크류 .....	Torn Embridado.....		
40	SA 9511-12011	27				O-ring .....	Joint Torique .....	O-ring .....	오링 .....	Junta torica.....		
41	SA 9511-12014	2				O-ring .....	Joint Torique .....	O-ring .....	오링 .....	Junta torica.....		
42	SA 9511-12029	1				O-ring .....	Joint Torique .....	O-ring .....	오링 .....	Junta torica.....		
43	VOE 955921	2				Spring Washer .....	Rondelle ressort.....	Federscheibe.....	스프링 와셔 .....	Arandela resorte.....		
44	SA 9676-51600	1				Ball .....	Bille .....	Kugel .....	볼 .....	Bola.....		
45	VOE 983245	2				Screw .....	Vis .....	Schraube .....	스크류 .....	Tornillo.....		

1	8277784	<b>Servosistema, tuberías a válvula de control.</b> 서보 배관 , 제어 밸브 배관 <b>Servosystem, Rohranschluss zu Steuerventil.</b> <b>Système servo, tubage vers valve commande</b> <b>Servo system, control valve piping.</b>	Catalogue id	Group
2			<b>56141</b>	<b>914</b>
3			Illustr. No	Section
4			<b>TA224</b>	<b>400</b>
5			Issue	Page
			<b>VOE 7414356141</b>	<b>455</b>



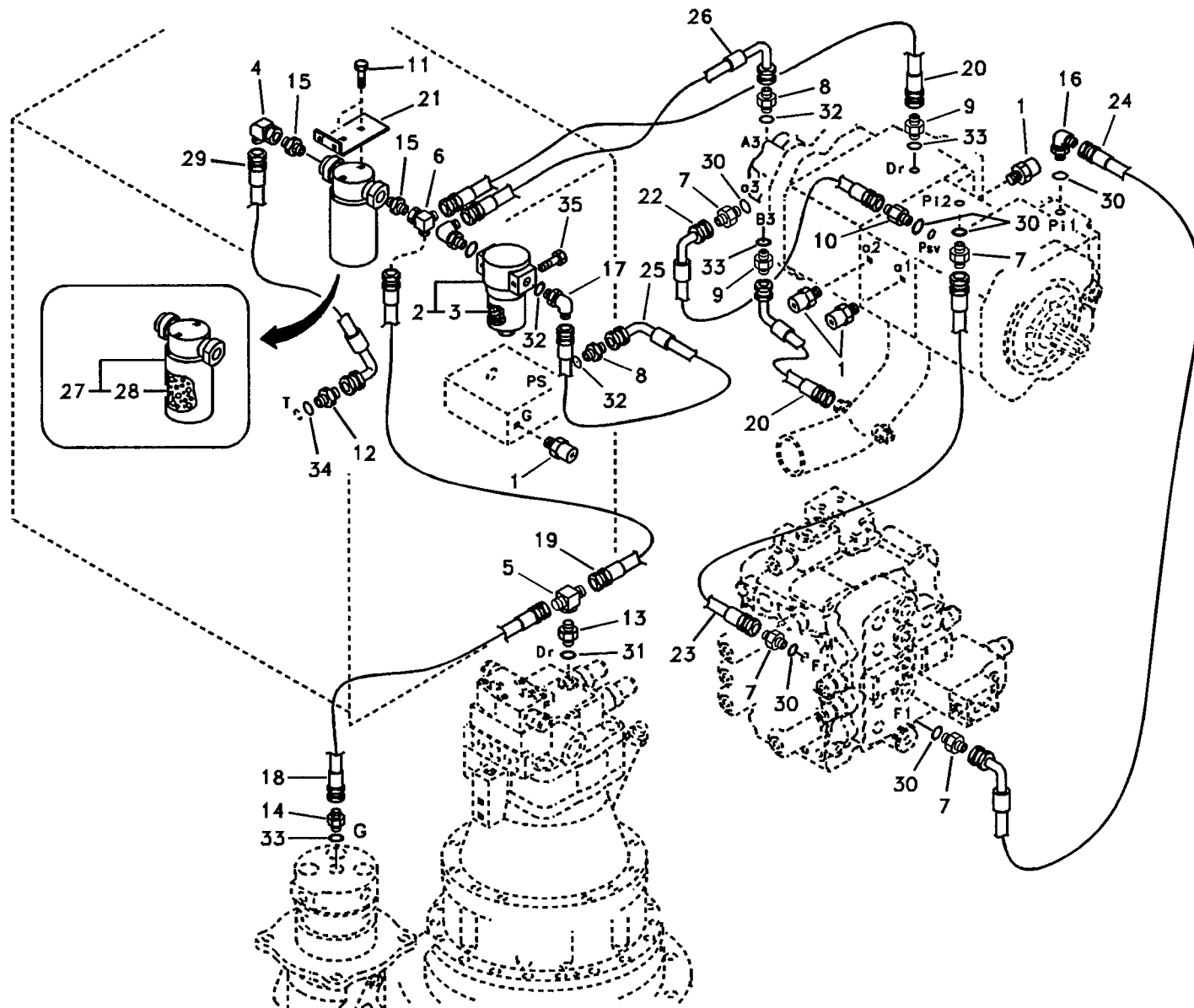


Fig.	Part No.	Quantity			P S	K I T	Description	Dénomination	Bezeichnung	품명	Denominación	Notes
		1	2	3								
1	SA 1042-11650	4				Quick Coupling.....	Accouple.rapide .....	Schnellkupplung.....	퀵 커플러.....	Acoplam Rapido.....		
2	SA 1030-61400	1				Filter .....	Filtre .....	Filter .....	필터 .....	Filtro.....		
3	SA 1030-61460	1				•Element .....	•Élément.....	•Element.....	• 엘리먼트.....	•Elemento.....		
4	SA 9411-90870	1				Elbow .....	Coude .....	Winkelstueck .....	엘보 .....	Coda.....		
5	SA 9411-92200	1				Tee.....	Connexion en T.....	T-stuck .....	티.....	Acoplamiento T.....		
6	SA 9411-95260	1				Connector .....	Raccord.....	Anschluss .....	커넥터 .....	Union.....		
7	SA 9412-11020	4				Connector .....	Raccord.....	Anschluss .....	커넥터 .....	Union.....		
8	SA 9412-11040	2				Connector .....	Raccord.....	Anschluss .....	커넥터 .....	Union.....		
9	SA 9412-11050	2				Connector .....	Raccord.....	Anschluss .....	커넥터 .....	Union.....		
10	SA 1048-10560	1				Connector .....	Raccord.....	Anschluss .....	커넥터 .....	Union.....		
11	VOE 946441	4				Flange Screw .....	Vis A Bride .....	Flanschschraube .....	플랜지 스크류 .....	Torn Embridado.....		
12	SA 9412-11060	1				Connector .....	Raccord.....	Anschluss .....	커넥터 .....	Union.....		
13	SA 9412-11140	1				Connector .....	Raccord.....	Anschluss .....	커넥터 .....	Union.....		
14	SA 9412-11280	1				Connector .....	Raccord.....	Anschluss .....	커넥터 .....	Union.....		
15	SA 9412-43060	2				Connector .....	Raccord.....	Anschluss .....	커넥터 .....	Union.....		
16	SA 9413-11010	1				Elbow .....	Coude .....	Winkelstueck .....	엘보 .....	Coda.....		
17	SA 9413-11030	2				Elbow .....	Coude .....	Winkelstueck .....	엘보 .....	Coda.....		
18	SA 9451-04218	1				Hose.....	Durit .....	Schlauch .....	호스 .....	Tubo flexible.....		
19	SA 9451-04244	1				Hose.....	Durit .....	Schlauch .....	호스 .....	Tubo flexible.....		
20	SA 9451-05210	2				Hose.....	Durit .....	Schlauch .....	호스 .....	Tubo flexible.....		
21	VOE 14500811	1				Bracket.....	Console.....	Konsole .....	브라켓 .....	Ménsula.....		
22	SA 9453-02212	1				Hose.....	Durit .....	Schlauch .....	호스 .....	Tubo flexible.....		
23	SA 9453-02336	1				Hose.....	Durit .....	Schlauch .....	호스 .....	Tubo flexible.....		
24	SA 9453-02346	1				Hose.....	Durit .....	Schlauch .....	호스 .....	Tubo flexible.....		
25	SA 9453-04209	1				Hose.....	Durit .....	Schlauch .....	호스 .....	Tubo flexible.....		
26	SA 9453-04208	1				Hose.....	Durit .....	Schlauch .....	호스 .....	Tubo flexible.....		
27	SA 1042-00820	1				Filter .....	Filtre .....	Filter .....	필터 .....	Filtro.....		
28	SA 1042-00830	1				•Cartridge.....	•Cartouche .....	•Patrone .....	• 카트리지 .....	•Patron.....		
29	SA 9453-06208	1				Hose.....	Durit .....	Schlauch .....	호스 .....	Tubo flexible.....		
30	SA 9511-12011	6				O-ring.....	Joint Torique .....	O-ring .....	오링 .....	Junta torica.....		

1	8277784	<b>Servosistema, tuberías a bomba y montaje filtro de aceite.</b> 서보 배관 , 펌프 배관 및 필터 장착 <b>Servosystem, Rohranschluss zu Pumpe und montage Ölfilter.</b> <b>Système servo, tubage vers pompe et montage filtre à huile</b> <b>Servo system, pump piping and filter mount.</b>	Catalogue id	Group
2			<b>56141</b>	<b>914</b>
3			Illustr. No	Section
4			<b>TA225</b>	<b>500</b>
5			Issue	Page
		<b>VOE 7414356141</b>	<b>457</b>	

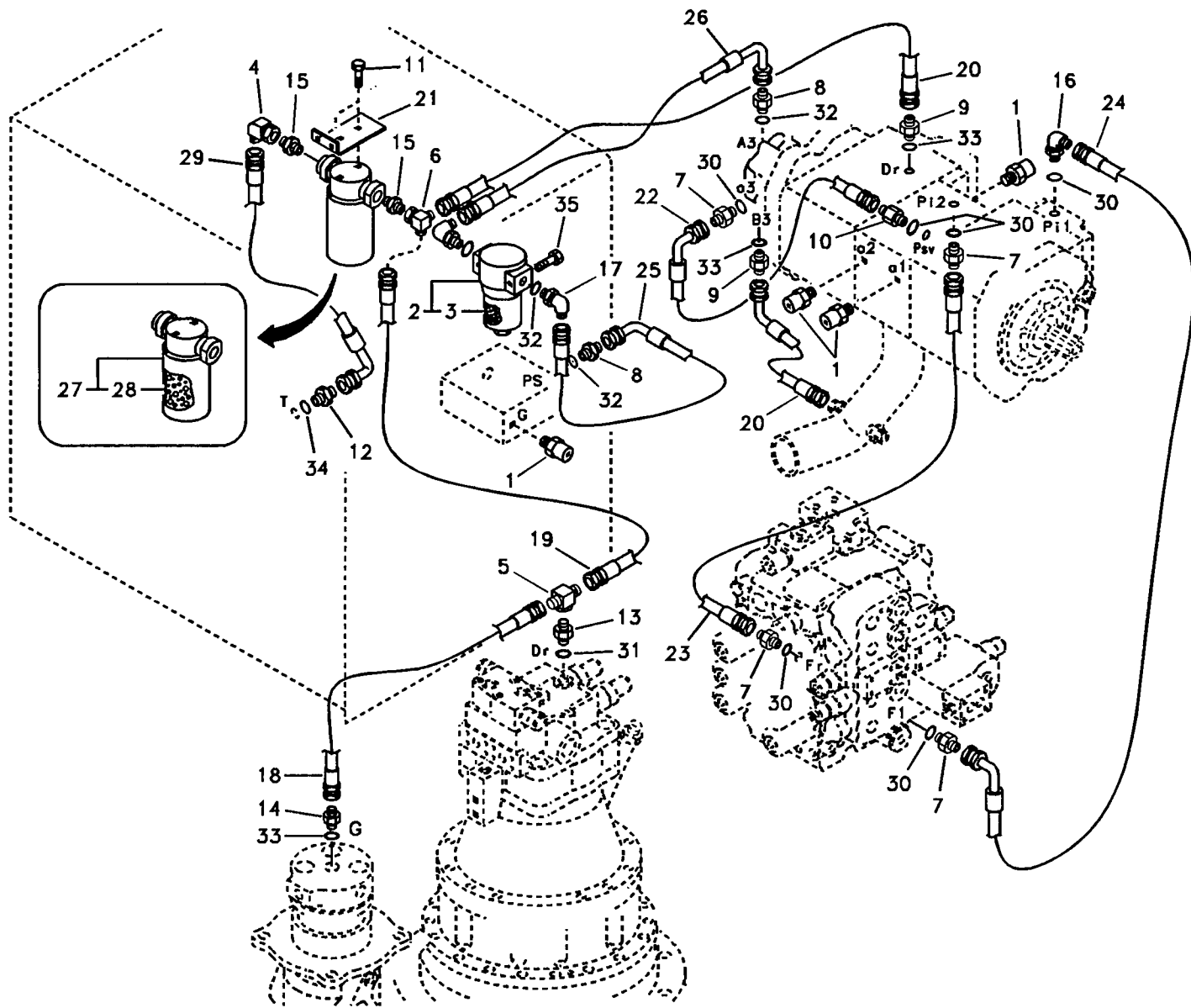


Fig.	Part No.	Quantity			P S	K I T	Description	Dénomination	Bezeichnung	품명	Denominación	Notes
		1	2	3								
31	SA 9511-12014	1					O-ring .....	Joint Torique .....	O-ring .....	오링 .....	Junta torica.....	
32	SA 9511-12018	4					O-ring .....	Joint Torique .....	O-ring .....	오링 .....	Junta torica.....	
33	SA 9511-12024	3					O-ring .....	Joint Torique .....	O-ring .....	오링 .....	Junta torica.....	
34	SA 9511-12029	1					O-ring .....	Joint Torique .....	O-ring .....	오링 .....	Junta torica.....	
35	VOE 965178	2					Screw .....	Vis .....	Schraube.....	스크류 .....	Tornillo.....	

1	8277784	<b>Servosistema, tuberías a bomba y montaje filtro de aceite.</b> 서보 배관 , 펌프 배관 및 필터 장착 <b>Servosystem, Rohranschluss zu Pumpe und montage Ölfilter.</b> <b>Système servo, tubage vers pompe et montage filtre à huile</b> <b>Servo system, pump piping and filter mount.</b>	Catalogue id	Group
2			56141	914
3			Illustr. No	Section
4			TA225	500
5			Issue	Page
			VOE 7414356141	459

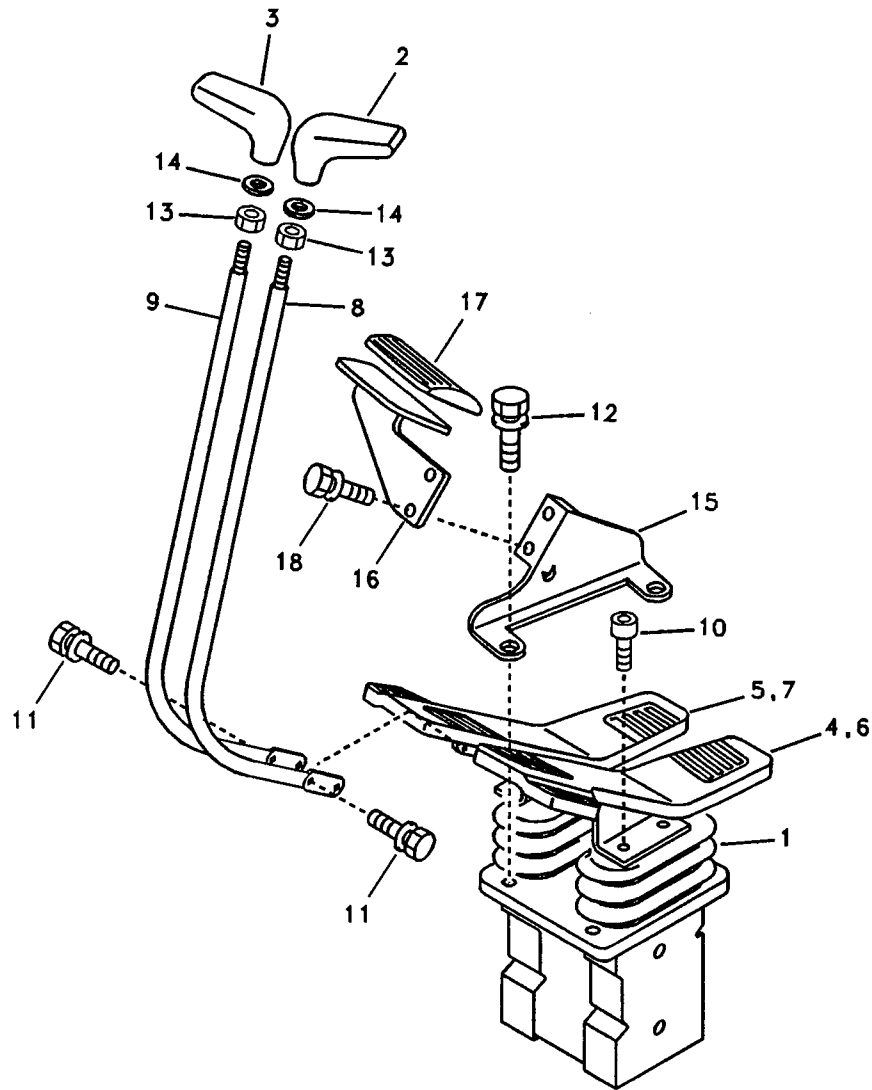


Fig.	Part No.	Quantity			P S	K I T	Description	Dénomination	Bezeichnung	품명	Denominación	Notes
		1	2	3								
1	VOE 14515047	1				Rmt Cont Valve.....	Comm.a Distance .....	Fernbet Vent .....	원격조종밸브.....	Valv Contr Dist.....	See group 914, Page 463	
2	SA 1168-00570	1				Knob.....	Bouton.....	Knauf.....	손잡이 .....	Boton.....		
3	SA 1168-00580	1				Knob.....	Bouton.....	Knauf.....	손잡이 .....	Boton.....		
4	VOE 14508104	1				Pedal.....	Pedale.....	Pedal .....	페달 .....	Pedal.....	LH	
5	VOE 14508105	1				Pedal.....	Pedale.....	Pedal .....	페달 .....	Pedal.....	RH	
6	VOE 14508246	1				Cover .....	Capot .....	Haube .....	커버 .....	Capo.....		
7	VOE 14508247	1				Cover .....	Capot .....	Haube .....	커버 .....	Capo.....		
8	VOE 14508465	1				Lever.....	Levier .....	Hebel .....	레버 .....	Palanca.....	LH	
9	VOE 14508466	1				Lever.....	Levier .....	Hebel .....	레버 .....	Palanca.....	RH	
10	SA 9016-11003	4				Bolt.....	Boulon.....	Bolzen.....	볼트 .....	Perno.....		
11	VOE 946329	4				Flange Screw .....	Vis A Bride .....	Flanschschraube .....	플랜지 스크류 .....	Torn Embridado.....		
12	VOE 946472	4				Flange Screw .....	Vis A Bride .....	Flanschschraube .....	플랜지 스크류 .....	Torn Embridado.....		
13	VOE 983303	2				Nut .....	Ecrou.....	Mutter .....	너트 .....	Tuerca.....		
14	SA 9211-08000	2				Washer.....	Rondelle.....	Scheibe .....	와셔 .....	Arandela.....		
15	VOE 14513732		1			Bracket.....	Console .....	Konsole .....	브라켓 .....	Ménsula.....		
16	VOE 14513731		1			Plate.....	Plaque .....	Platte .....	플레이트 .....	Placa.....		
17	VOE 14513730		1			Cover .....	Capot .....	Haube .....	커버 .....	Capo.....		
18	VOE 946173		2			Screw.....	Vis .....	Schraube .....	스크류 .....	Tornillo.....		

1	8277784	<b>Pedal de válvula de control remoto con accesorios</b> 원격조종밸브 페달 및 장착부품 <b>Vorsteuergerät Pedal mit Anbauteilen</b> <b>Pédale valve cde télécommandée avec pièces montage</b> <b>Remote control valve pedal with fitting parts</b>	Catalogue id	Group
2	8278547		<b>56141</b>	<b>914</b>
3			Illustr. No	Section
4			<b>TA226</b>	<b>700</b>
5			Issue	Page
			<b>VOE 7414356141</b>	<b>461</b>

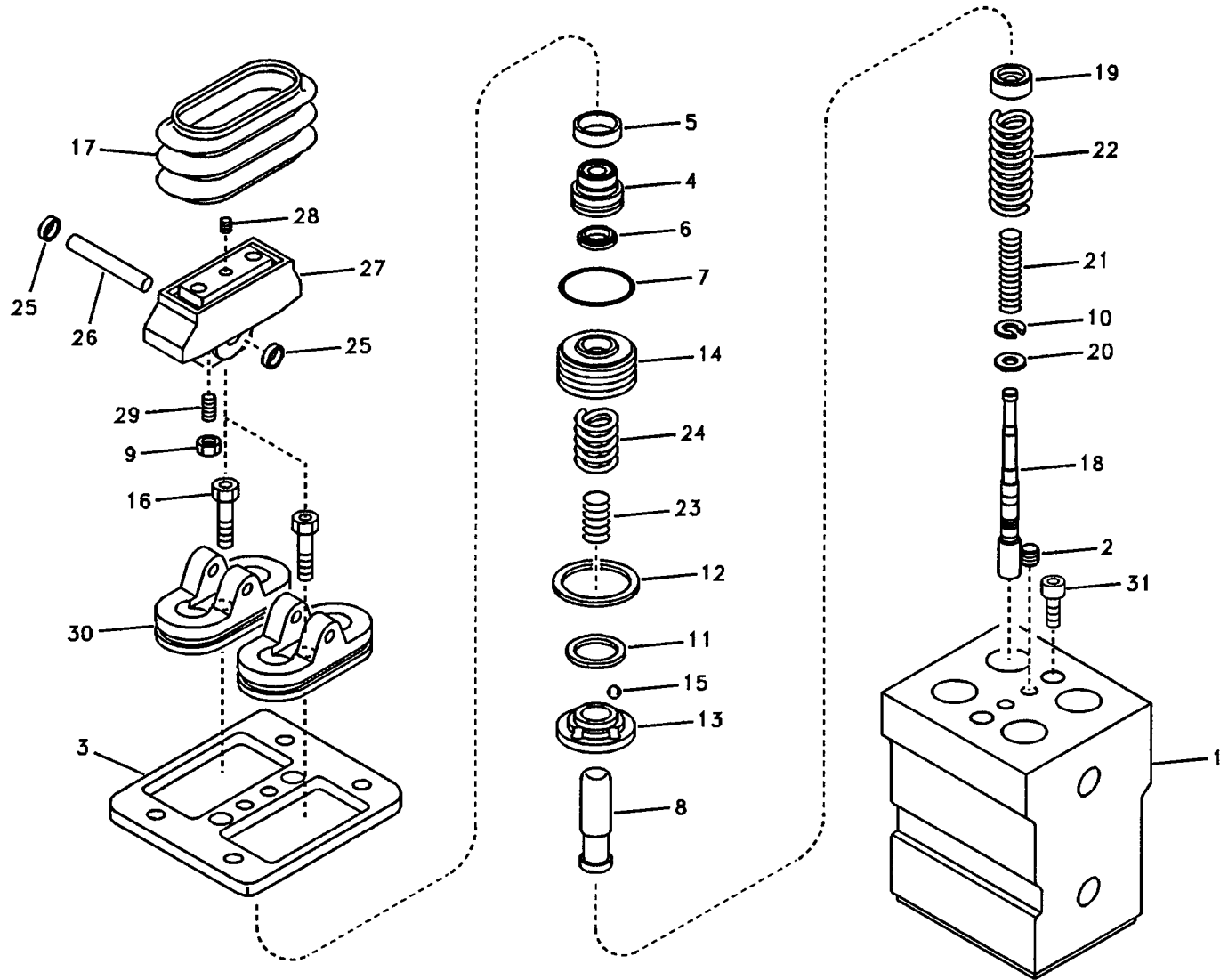


Fig.	Part No.	Quantity			P S	K I T	Description	Dénomination	Bezeichnung	품명	Denominación	Notes
		1	2	3								
	VOE 14515047	1				Rmt Cont Valve.....	Comm.a Distance .....	Fernbet Vent .....	원격조종밸브.....	Valv Contr Dist.....		
1		1			NS	•Housing .....	•Carter.....	•Gehäuse .....	•하우징 .....	•Carter.....		
2	SA 7242-11040	2				•Plug .....	•Bouchon.....	•Stopfen .....	•플러그 .....	•Tapon.....		
3	VOE 14516638	1				•Cover .....	•Capot.....	•Haube .....	•커버 .....	•Capo.....		
4	VOE 14516639	4				•Plug .....	•Bouchon.....	•Stopfen .....	•플러그 .....	•Tapon.....		
5	SA 8230-27430	4				•Cup.....	•Coupelle.....	•Lauftring.....	•컵.....	•Copita.....		
6		4			NS K	•Packing.....	•Joint.....	•Dichtung.....	•패킹.....	•Empaquetadura.....		
7		4			NS K	•O-ring.....	•Joint Torique.....	•O-ring.....	•오링.....	•Junta torica.....		
8	VOE 14516637	4				•Rod.....	•Monture.....	•Fuhler.....	•로드.....	•Varilla.....		
9	SA 8230-19480	4				•Lock Nut .....	•Contre-ecrou.....	•Sicher Mutter.....	•록 너트.....	•Contratuerca.....		
10	SA 8230-19690	4				•Washer .....	•Rondelle.....	•Scheibe.....	•와셔.....	•Arandela.....		
11	SA 8230-27450	4				•Seat .....	•Siege.....	•Sitz.....	•시트.....	•Asiento.....		
12	SA 8230-27470	4				•Ring .....	•Anneau.....	•Ring.....	•링.....	•Anillo.....		
13	SA 8230-27650	4				•Bushing.....	•Bague.....	•Buchse.....	•부싱.....	•Casquillo.....		
14	SA 8230-27640	4				•Piston.....	•Piston.....	•Kolben.....	•피스톤.....	•Piston.....		
15	SA 8230-25440	12				•Ball.....	•Bille.....	•Kugel.....	•볼.....	•Bola.....		
16	SA 8230-27560	2				•Screw.....	•Vis.....	•Schraube.....	•스크류.....	•Tornillo.....		
17	SA 8230-19570	2				•Bellows .....	•Capot Caoutcho.....	•Gummimantel.....	•벨로즈.....	•Cubierta Goma.....		
18		4			NS	•Spool .....	•Bobine.....	•Schieber.....	•스풀.....	•Bobina.....		
19	VOE 14516635	4				•Seat .....	•Siege.....	•Sitz.....	•시트.....	•Asiento.....		
20	SA 8230-19450	4				•Washer .....	•Rondelle.....	•Scheibe.....	•와셔.....	•Arandela.....		
21	SA 8230-19610	4				•Spring .....	•Ressort.....	•Feder.....	•스프링.....	•Muelle.....		
22	SA 8230-19600	4				•Spring .....	•Ressort.....	•Feder.....	•스프링.....	•Muelle.....		
23	SA 8230-27510	4				•Spring .....	•Ressort.....	•Feder.....	•스프링.....	•Muelle.....		
24	SA 8230-27520	4				•Spring .....	•Ressort.....	•Feder.....	•스프링.....	•Muelle.....		
25	SA 8240-03310	4				•Bushing.....	•Bague.....	•Buchse.....	•부싱.....	•Casquillo.....		
26	SA 8230-19470	2				•Camshaft .....	•Arbre a cames.....	•Nockenwelle.....	•캠축.....	•Eje de levas.....		
27	SA 8230-19550	2				•Cam.....	•Came.....	•Nocken.....	•캠.....	•Leva.....		
28	SA 8240-03730	2				•Screw.....	•Vis.....	•Schraube.....	•스크류.....	•Tornillo.....		
29	SA 8230-19560	4				•Screw.....	•Vis.....	•Schraube.....	•스크류.....	•Tornillo.....		

1	8277784	<b>Válvula de control a pedal de válvula de mando a distancia, motor trasl</b> 주행모터 원격조종밸브 페달 <b>steuerventil zu Vorsteuergerät Pedal, Fahrmotor</b> <b>V. commande vers pédale de v. commande télécommandée, moteur condui</b> <b>Remote control valve pedal, travel motor</b>	Catalogue id	Group
2			56141	914
3			Illustr. No	Section
4			TA227	800
5			Issue	Page
			VOE 7414356141	463



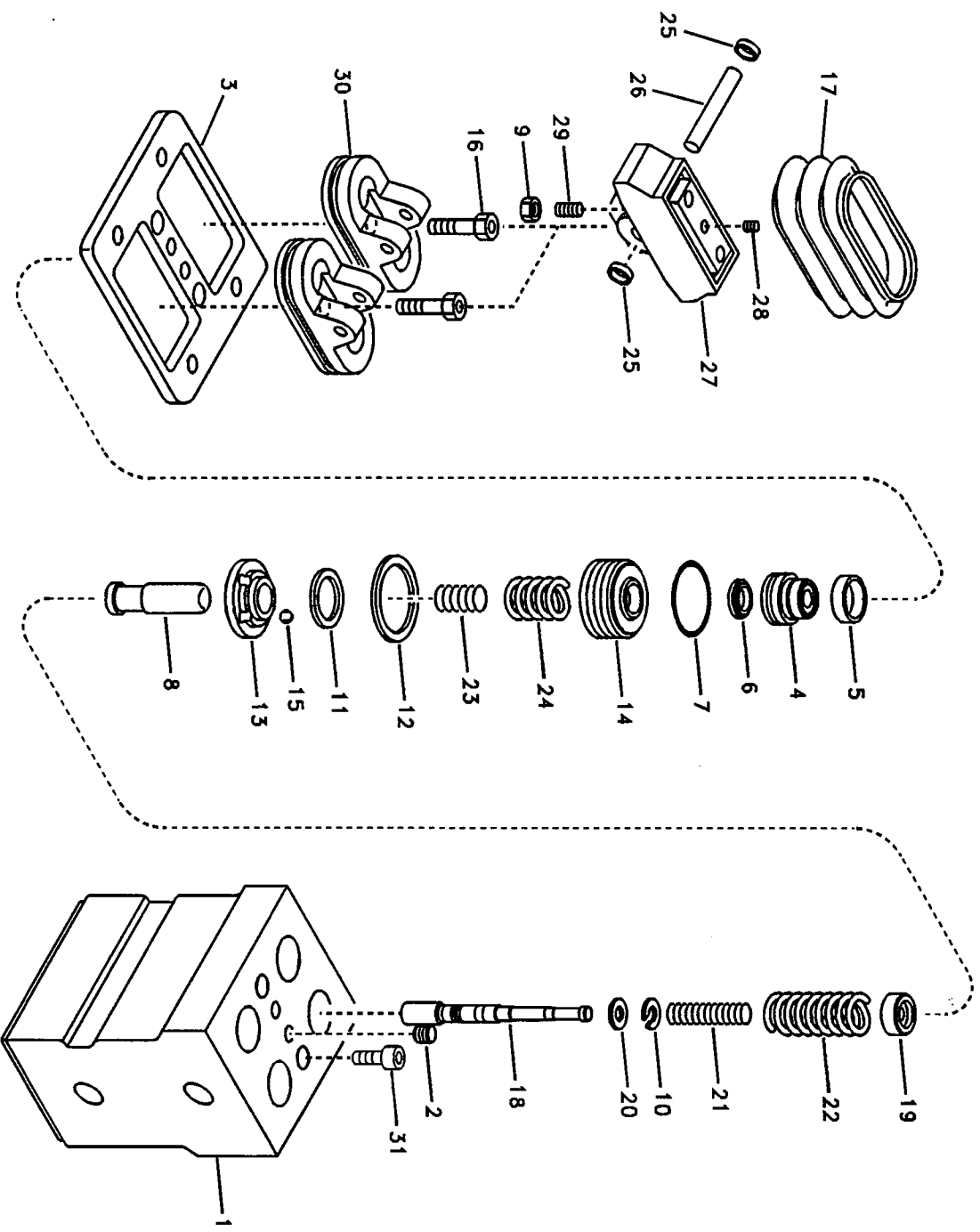


Fig.	Part No.	Quantity			P S	K I T	Description	Dénomination	Bezeichnung	품명	Denominación	Notes
		1	2	3								
30	VOE 14516640	2					•Cover .....	•Capot .....	•Haube .....	•커버 .....	•Capo.....	
31	SA 9016-10804	2					•Bolt .....	•Boulon.....	•Bolzen.....	•볼트.....	•Perno.....	
100	SA 8230-27530	1					Sealing Kit.....	Jeu Joints.....	Dichtungssatz .....	시일 키트 .....	Juego Retenes.....	

1	8277784	<b>Válvula de control a pedal de válvula de mando a distancia, motor trasl</b> 주행모터 원격조종밸브 페달 <b>steuerventil zu Vorsteuergerät Pedal, Fahrmotor</b> <b>V. commande vers pédale de v. commande télécommandée, moteur condui</b> <b>Remote control valve pedal, travel motor</b>	Catalogue id	Group
2			<b>56141</b>	<b>914</b>
3			Illustr. No	Section
4			<b>TA227</b>	<b>800</b>
5			Issue	Page
			<b>VOE 7414356141</b>	<b>465</b>

**VOLVO**

**EC210B**

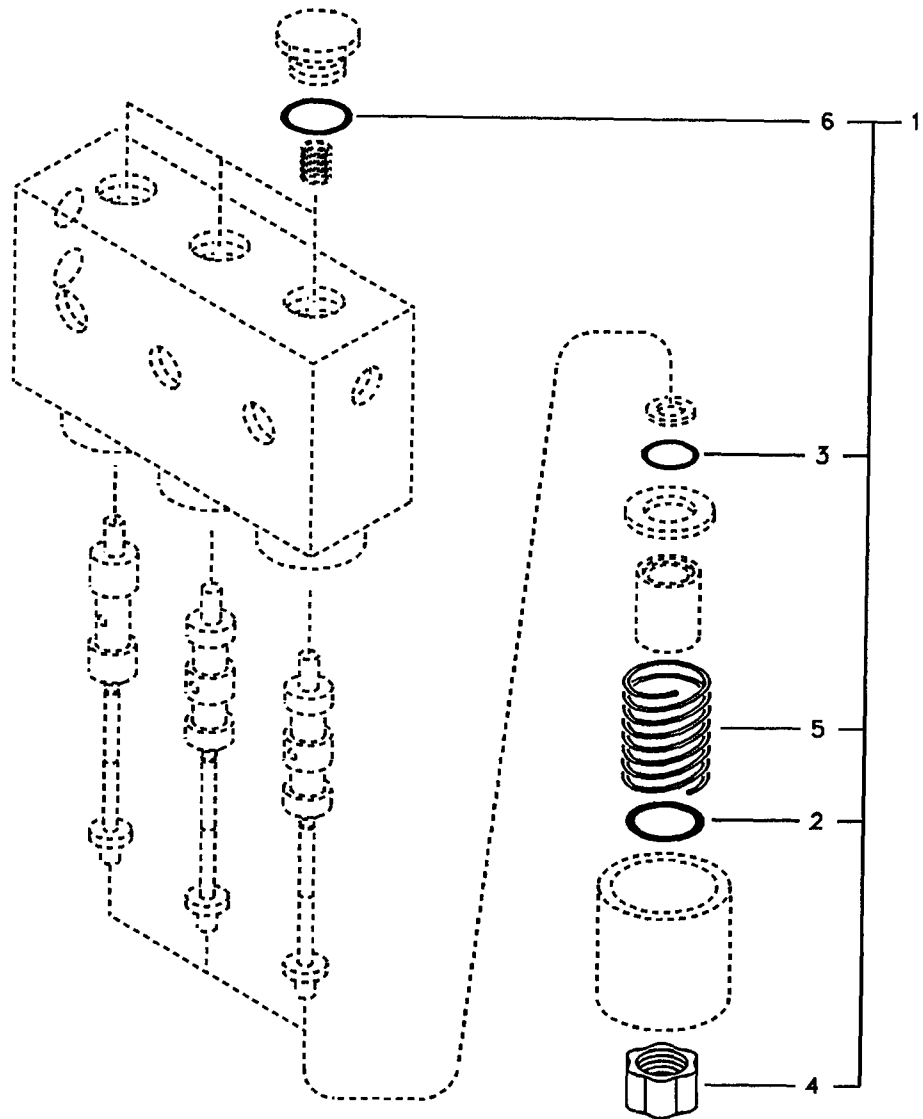


Fig.	Part No.	Quantity			P S	K I T	Description	Dénomination	Bezeichnung	품명	Denominación	Notes
		1	2	3								
	SA 1148-00041	1					Solenoid Valve .....	Vanne electrom.....	Magnetventil .....	솔레노이드 밸브 .....	Electrovalvula.....	
	VOE 14500438	1					Solenoid Valve .....	Vanne electrom.....	Magnetventil .....	솔레노이드 밸브 .....	Electrovalvula.....	
1	VOE 14503076	3					•Set .....	•Jeu .....	•Satz .....	• 세트 .....	•Juego.....	
2		1			NS		••O-ring .....	••Joint Torique.....	••O-ring.....	•• 오링 .....	••Junta torica.....	
3		1			NS		••O-ring .....	••Joint Torique.....	••O-ring.....	•• 오링 .....	••Junta torica.....	
4		1			NS		••Nut.....	••Ecrou .....	••Mutter .....	•• 너트 .....	••Tuerca.....	
5		1			NS		••Spring .....	••Ressort.....	••Feder .....	•• 스프링 .....	••Muelle.....	
6	SA 9511-12018	2					••O-ring .....	••Joint Torique.....	••O-ring.....	•• 오링 .....	••Junta torica.....	

1	8277784	<b>Servosistema, válvula solenoide</b> 서보 배관 , 솔레노이드 밸브 <b>Servosystem, Magnetventil</b> <b>Système servo, valve de solénoïde</b> <b>Servo system, solenoid valve</b>	Catalogue id	Group
2			<b>56141</b>	<b>914</b>
3			Illustr. No	Section
4			<b>TA228</b>	<b>900</b>
5			Issue	Page
			<b>VOE 7414356141</b>	<b>467</b>

**VOLVO**

**EC210B**

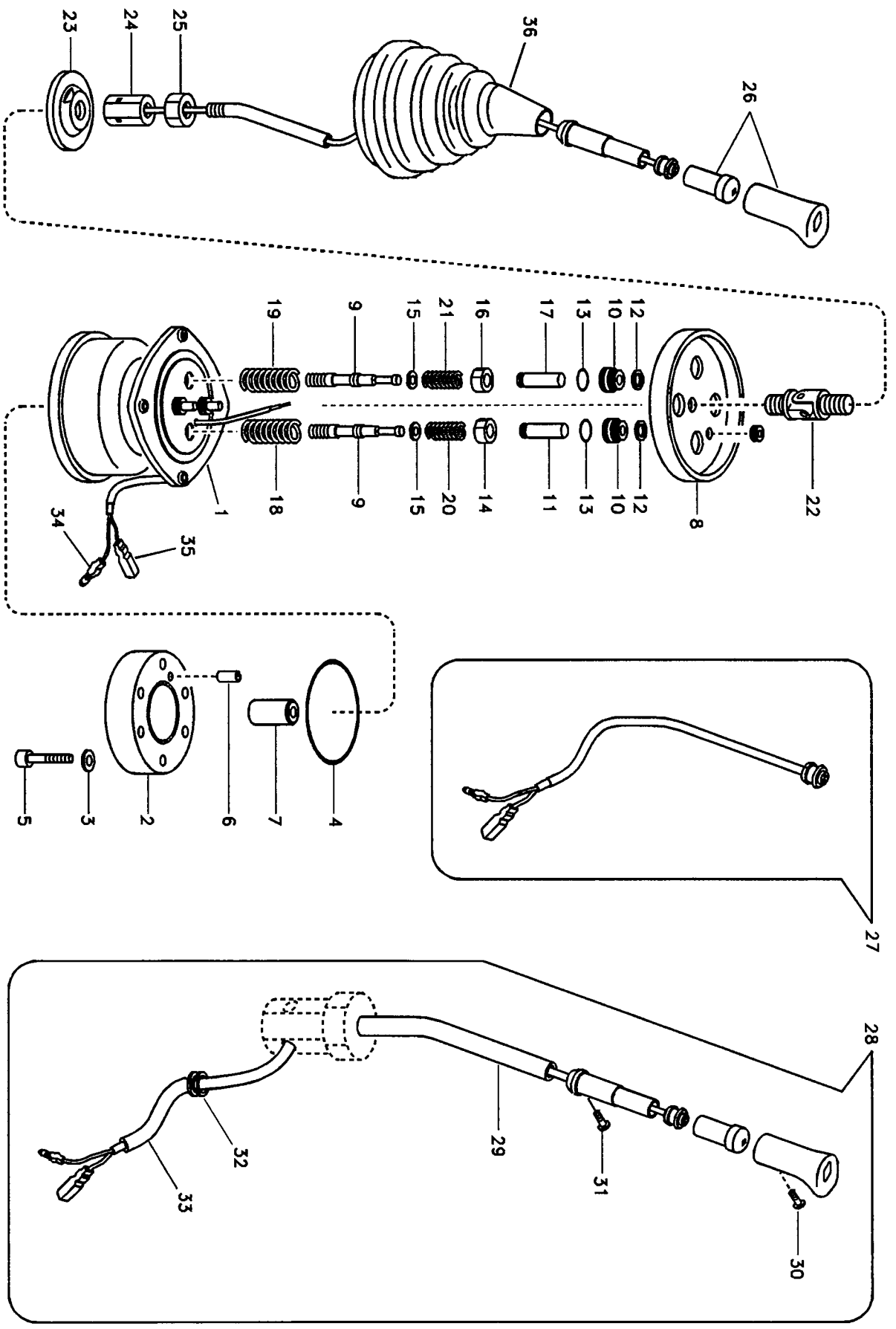


Fig.	Part No.	Quantity			P S	K T	Description	Dénomination	Bezeichnung	품명	Denominación	Notes
		1	2	3								
	SA 1148-01890	1				Rmt Cont Valve.....	Comm.a Distance .....	Fernbet Vent .....	원격조종밸브.....	Valv Contr Dist.....	Semi-long,LH	
	SA 1148-01900	1				Rmt Cont Valve.....	Comm.a Distance .....	Fernbet Vent .....	원격조종밸브.....	Valv Contr Dist.....	Semi-long,RH	
1		1			NS	•Casing .....	•Boitier.....	•Gehäuse .....	•케이싱 .....	•Cubierta.....		
2	SA 8230-37150	1				•Plate .....	•Plaque.....	•Platte.....	•플레이트.....	•Placa.....		
3	SA 8230-19730	2			SS	•Washer .....	•Rondelle.....	•Scheibe.....	•와셔 .....	•Arandela.....		
4	SA 8230-37060	1			K	•O-ring.....	•Joint Torique .....	•O-ring.....	•오링 .....	•Junta torica.....		
5	SA 8230-36920	2				•Screw.....	•Vis.....	•Schraube.....	•스크류 .....	•Tornillo.....		
6	SA 8230-25940	1				•Spring Pin.....	•Boulon de ressort.....	•Federstift.....	•스프링 핀.....	•Pasador Resorte.....		
7	SA 8230-37100	1				•Bushing.....	•Bague .....	•Buchse.....	•부싱 .....	•Casquillo.....		
8	SA 8230-37140	1				•Plate .....	•Plaque.....	•Platte.....	•플레이트.....	•Placa.....		
9		4			NS	•Spool .....	•Bobine.....	•Schieber.....	•스풀 .....	•Bobina.....		
10	SA 8230-28800	4				•Plug .....	•Bouchon.....	•Stopfen .....	•플러그 .....	•Tapon.....		
11	SA 8230-19790	2				•Bar .....	•Barre.....	•Stab .....	•바.....	•Barra.....		
12	SA 8230-20110	4			K	•Seal .....	•Plomb.....	•Plombe.....	•시일 .....	•Plomo.....		
13	SA 9511-12020	4			K	•O-ring.....	•Joint Torique .....	•O-ring.....	•오링 .....	•Junta torica.....		
14	SA 8230-36650	2				•Seat .....	•Siege.....	•Sitz.....	•시트 .....	•Asiento.....		
15	SA 8230-19690	4				•Washer .....	•Rondelle.....	•Scheibe.....	•와셔 .....	•Arandela.....		
16	SA 8230-36640	2				•Seat .....	•Siege.....	•Sitz.....	•시트 .....	•Asiento.....		
17	SA 8230-19810	2				•Bar .....	•Barre.....	•Stab .....	•바.....	•Barra.....		
18	SA 8230-36750	2				•Spring .....	•Ressort .....	•Feder.....	•스프링 .....	•Muelle.....		
19	SA 8230-36760	2				•Spring .....	•Ressort .....	•Feder.....	•스프링 .....	•Muelle.....		
20	SA 8230-36770	2				•Spring .....	•Ressort .....	•Feder.....	•스프링 .....	•Muelle.....		
21	SA 8230-36780	2				•Spring .....	•Ressort .....	•Feder.....	•스프링 .....	•Muelle.....		
22	SA 8230-20040	1				•Joint .....	•Cardan .....	•Gelenk.....	•조인트 .....	•Junta.....		
23	SA 8230-37120	1				•Plate .....	•Plaque.....	•Platte.....	•플레이트.....	•Placa.....		
24	SA 8230-20140	1				•Nut .....	•Ecrou .....	•Mutter.....	•너트 .....	•Tuerca.....		
25	SA 8230-19950	1				•Lock Nut .....	•Contre-ecrou.....	•Sicher Mutter.....	•록 너트 .....	•Contratuerca.....		
26	SA 8230-37090	1				•Knob .....	•Bouton .....	•Knauf .....	•손잡이 .....	•Boton.....	LH	
	VOE 14500137	1				•Knob .....	•Bouton .....	•Knauf .....	•손잡이 .....	•Boton.....	RH	
27	SA 8230-36940	1				•Switch .....	•Contacteur .....	•Schalter.....	•스위치 .....	•Contactor.....		

1	8277146	<b>Servosistema, válvula de mando a distancia</b> 서보 배관 , 원격조종밸브 <b>Servosystem, Vorsteuergerät</b> <b>Système servo, valve de commande télécommandée</b> <b>Servo system, remote control valve</b>	Catalogue id	Group
2			56141	914
3			Illustr. No	Section
4			TA229	1100
5			Issue	Page
			VOE 7414356141	469

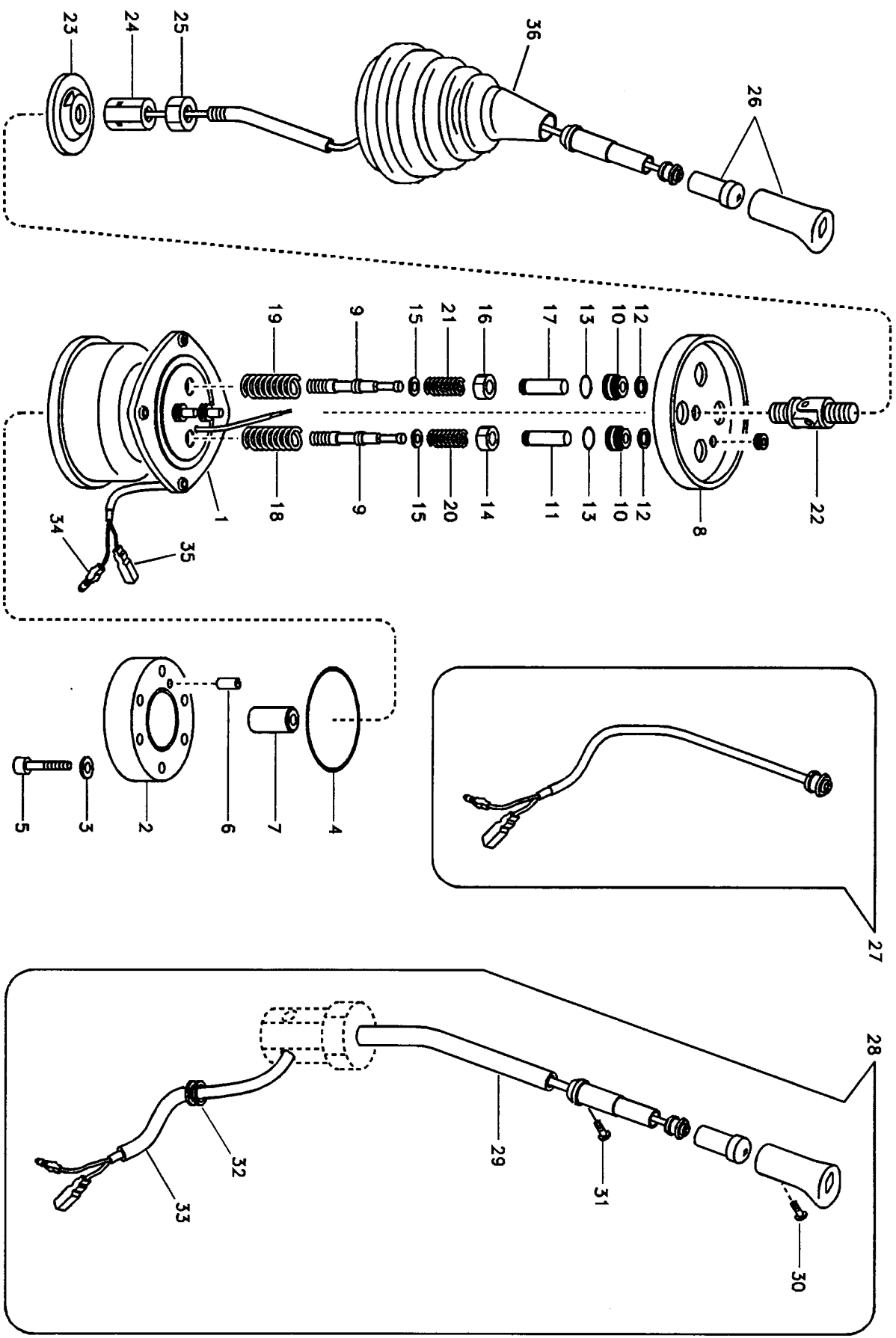


Fig.	Part No.	Quantity			P S	K I T	Description	Dénomination	Bezeichnung	품명	Denominación	Notes
		1	2	3								
28	SA 8230-37080	1				•Handle .....	•Poignee.....	•Handgriff .....	• 핸들 .....	•Manilla.....		
29	SA 8230-36320	1				••Bar .....	••Barre.....	••Stab .....	•• 바 .....	••Barra.....		
30	SA 8230-32090	1				••Screw .....	••Vis.....	••Schraube .....	•• 스크류 .....	••Tornillo.....		
31	SA 8230-28020	2				••Screw .....	••Vis.....	••Schraube .....	•• 스크류 .....	••Tornillo.....		
32	SA 8230-37110	1				••Bushing .....	••Bague .....	••Buchse.....	•• 부싱 .....	••Casquillo.....		
33	SA 8230-32100	1				••Pipe .....	••Canalisation.....	••Rohrleitung .....	•• 파이프 .....	••Canalización.....		
34	SA 8230-20180	1				•Terminal.....	•Fiche Connexion.....	•Anschlussstift.....	• 터미널 .....	•Espiga Terminal.....		
35	SA 8230-20190	1				•Terminal.....	•Fiche Connexion.....	•Anschlussstift.....	• 터미널 .....	•Espiga Terminal.....		
36	SA 8230-27600	1				•Bellows .....	•Capot Caoutcho.....	•Gummimantel.....	• 벨로즈 .....	•Cubierta Goma.....		
100	SA 8230-36840	1				Sealing Kit.....	Jeu Joints.....	Dichtungssatz .....	시일 킷 .....	Juego Retenes.....		

1	8277146	<b>Servosistema, válvula de mando a distancia</b> 서보 배관 , 원격조종밸브 <b>Servosystem, Vorsteuergerät</b> <b>Système servo, valve de commande télécommandée</b> <b>Servo system, remote control valve</b>	Catalogue id	Group
2			<b>56141</b>	<b>914</b>
3			Illustr. No	Section
4			<b>TA229</b>	<b>1100</b>
5			Issue	Page
		<b>VOE 7414356141</b>	<b>471</b>	



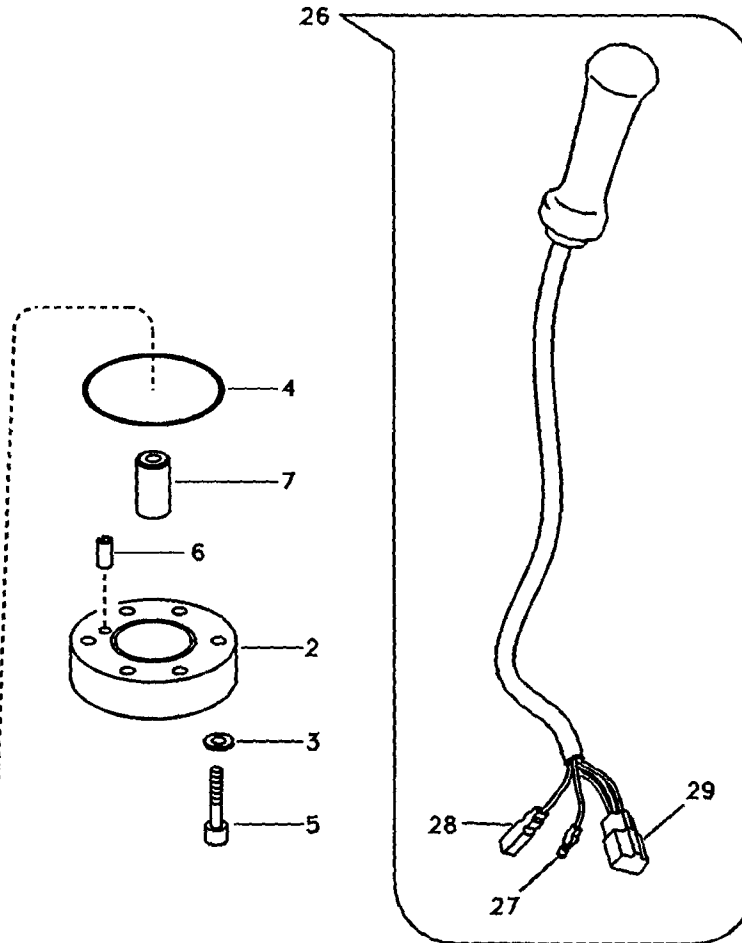
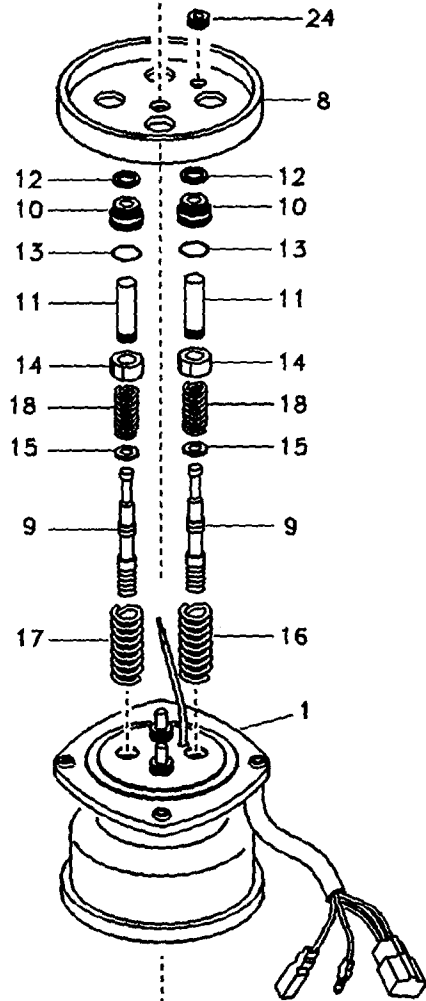
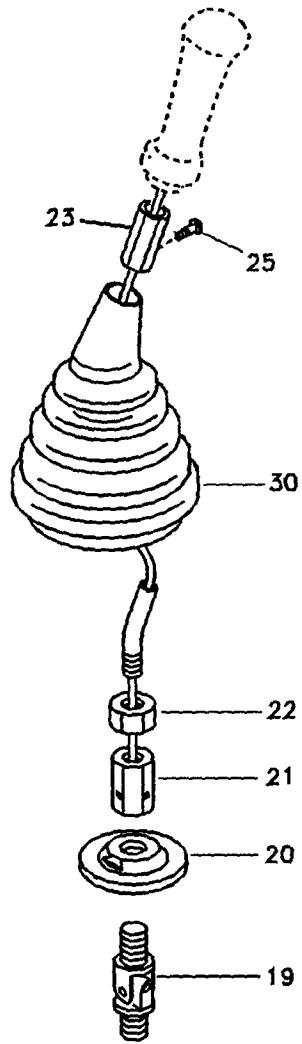


Fig.	Part No.	Quantity			P S	K I T	Description	Dénomination	Bezeichnung	품명	Denominación	Notes
		1	2	3								
	VOE 14510417	1				Rmt Cont Valve.....	Comm.a Distance .....	Fernbet Vent .....	원격조종밸브.....	Valv Contr Dist.....	3-Switch,LH	
	VOE 14510418	1				Rmt Cont Valve.....	Comm.a Distance .....	Fernbet Vent .....	원격조종밸브.....	Valv Contr Dist.....	3-Switch,RH	
1		1			NS	•Casing .....	•Boitier.....	•Gehäuse .....	•케이싱 .....	•Cubierta.....		
2	SA 8230-37150	1				•Plate .....	•Plaque.....	•Platte.....	•플레이트.....	•Placa.....		
3	SA 8230-19731	2				•Washer .....	•Rondelle.....	•Scheibe .....	•와셔 .....	•Arandela.....		
4	SA 8230-37060	1			K	•O-ring.....	•Joint Torique .....	•O-ring .....	•오링 .....	•Junta torica.....		
5	SA 8230-36920	2				•Screw.....	•Vis.....	•Schraube.....	•스크류 .....	•Tornillo.....		
6	SA 8230-25940	1				•Spring Pin .....	•Boulon de ressort.....	•Federstift.....	•스프링 핀.....	•Pasador Resorte.....		
7	SA 8230-37100	1				•Bushing.....	•Bague.....	•Buchse.....	•부싱 .....	•Casquillo.....		
8	SA 8230-37140	1				•Plate .....	•Plaque.....	•Platte.....	•플레이트.....	•Placa.....		
9		4			NS	•Spool .....	•Bobine.....	•Schieber.....	•스풀 .....	•Bobina.....		
10	SA 8230-28800	4				•Plug .....	•Bouchon.....	•Stopfen .....	•플러그 .....	•Tapon.....		
11	SA 8230-19790	4				•Bar .....	•Barre.....	•Stab .....	•바.....	•Barra.....		
12	SA 8230-20110	4			K	•Seal .....	•Plomb.....	•Plombe.....	•시일 .....	•Plomo.....		
13	SA 9511-12020	4			K	•O-ring.....	•Joint Torique .....	•O-ring .....	•오링 .....	•Junta torica.....		
14	SA 8230-36650	4				•Seat .....	•Siege.....	•Sitz.....	•시트 .....	•Asiento.....		
15	SA 8230-19690	4				•Washer .....	•Rondelle.....	•Scheibe .....	•와셔 .....	•Arandela.....		
16	VOE 14512873	2				•Spring .....	•Ressort .....	•Feder.....	•스프링 .....	•Muelle.....		
17	VOE 14512874	2				•Spring .....	•Ressort .....	•Feder.....	•스프링 .....	•Muelle.....		
18	SA 8230-36770	4				•Spring .....	•Ressort .....	•Feder.....	•스프링 .....	•Muelle.....		
19	SA 8230-20040	1				•Joint .....	•Cardan.....	•Gelenk.....	•조인트 .....	•Junta.....		
20	SA 8230-37120	1				•Plate .....	•Plaque.....	•Platte.....	•플레이트.....	•Placa.....		
21	SA 8230-19940	1				•Nut .....	•Ecrou .....	•Mutter.....	•너트 .....	•Tuerca.....		
22	SA 8230-19950	1				•Lock Nut .....	•Contre-ecrou.....	•Sicher Mutter.....	•록 너트 .....	•Contratuerca.....		
23	VOE 14500122	1				•Lever.....	•Levier .....	•Hebel.....	•레버 .....	•Palanca.....		
24	VOE 14500125	1				•Bushing.....	•Bague .....	•Buchse.....	•부싱 .....	•Casquillo.....		
25	VOE 14500124	1				•Pin .....	•Goupille.....	•Zapfen.....	•핀 .....	•Pasador.....		
26	VOE 14514021	1				•Knob .....	•Bouton .....	•Knauf .....	•손잡이 .....	•Boton.....	LH	
	VOE 14514026	1				•Knob .....	•Bouton .....	•Knauf .....	•손잡이 .....	•Boton.....	RH	
27	SA 8230-20180	1				••Terminal .....	••Fiche Connexion.....	••Anschlussstift .....	••터미널 .....	••Espiga Terminal.....		

1	8277147	<b>Servosistema, válvula de mando a distancia</b> 서보 배관 , 원격조종밸브 <b>Servosystem, Vorsteuergerät</b> <b>Système servo, valve de commande télécommandée</b> <b>Servo system, remote control valve</b>	Catalogue id	Group
2			<b>56141</b>	<b>914</b>
3			Illustr. No	Section
4			<b>TA230</b>	<b>1200</b>
5			Issue	Page
		<b>VOE 7414356141</b>	<b>473</b>	

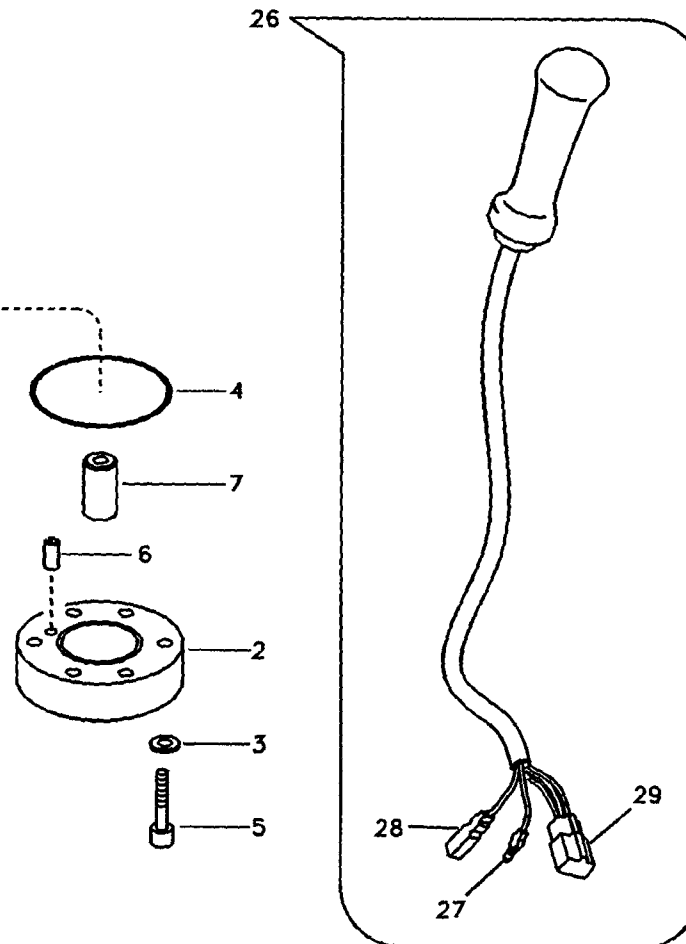
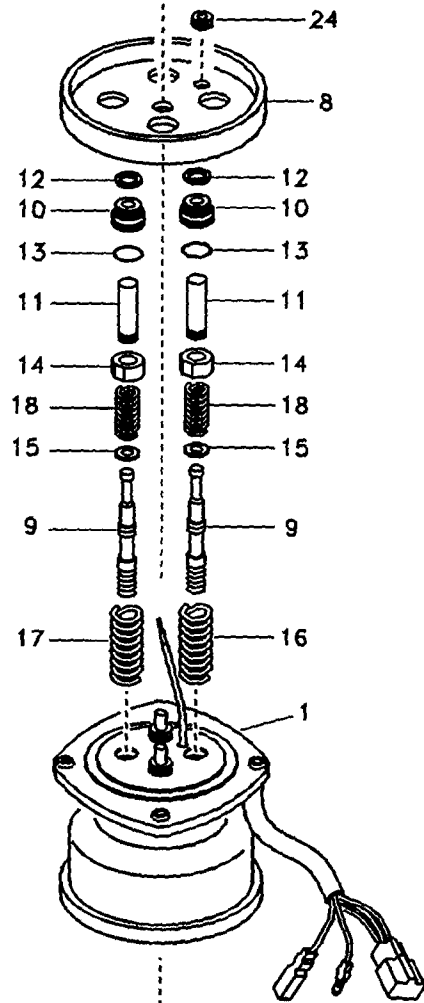
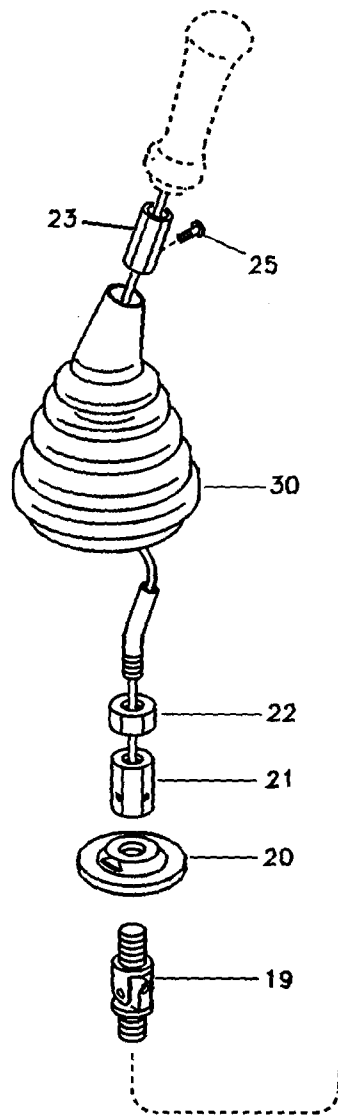


Fig.	Part No.	Quantity			P S	K I T	Description	Dénomination	Bezeichnung	품명	Denominación	Notes
		1	2	3								
28	SA 8230-20190	1					•Terminal .....	•Fiche Connexion.....	•Anschlussstift .....	• 터미널 .....	•Espiga Terminal.....	
29	VOE 14500561	1					•Housing .....	•Carter.....	•Gehäuse .....	• 하우징 .....	•Carter.....	
30	VOE 14500130	1					•Bellows .....	•Capot Caoutcho.....	•Gummimantel.....	• 벨로즈 .....	•Cubierta Goma.....	
100	SA 8230-36840	1					Sealing Kit.....	Jeu Joints.....	Dichtungssatz .....	시일 키트 .....	Juego Retenes.....	

1	8277147	<b>Servosistema, válvula de mando a distancia</b> 서보 배관 , 원격조종밸브 <b>Servosystem, Vorsteuergerät</b> <b>Système servo, valve de commande télécommandée</b> <b>Servo system, remote control valve</b>	Catalogue id	Group
2			<b>56141</b>	<b>914</b>
3			Illustr. No	Section
4			<b>TA230</b>	<b>1200</b>
5			Issue	Page
			<b>VOE 7414356141</b>	<b>475</b>

**VOLVO**

**EC210B**

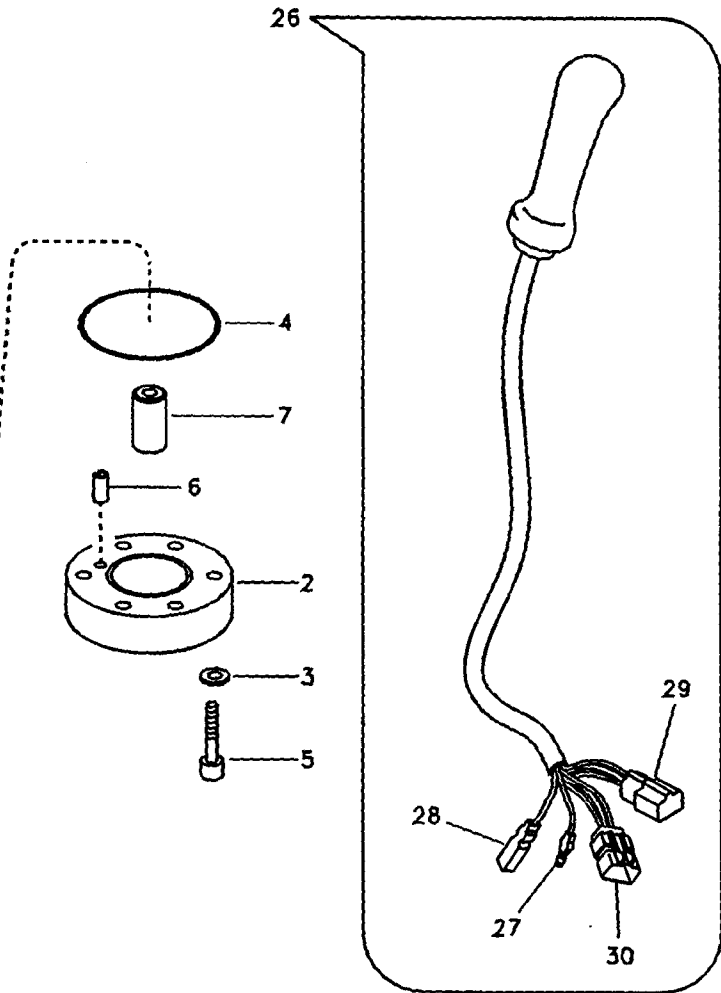
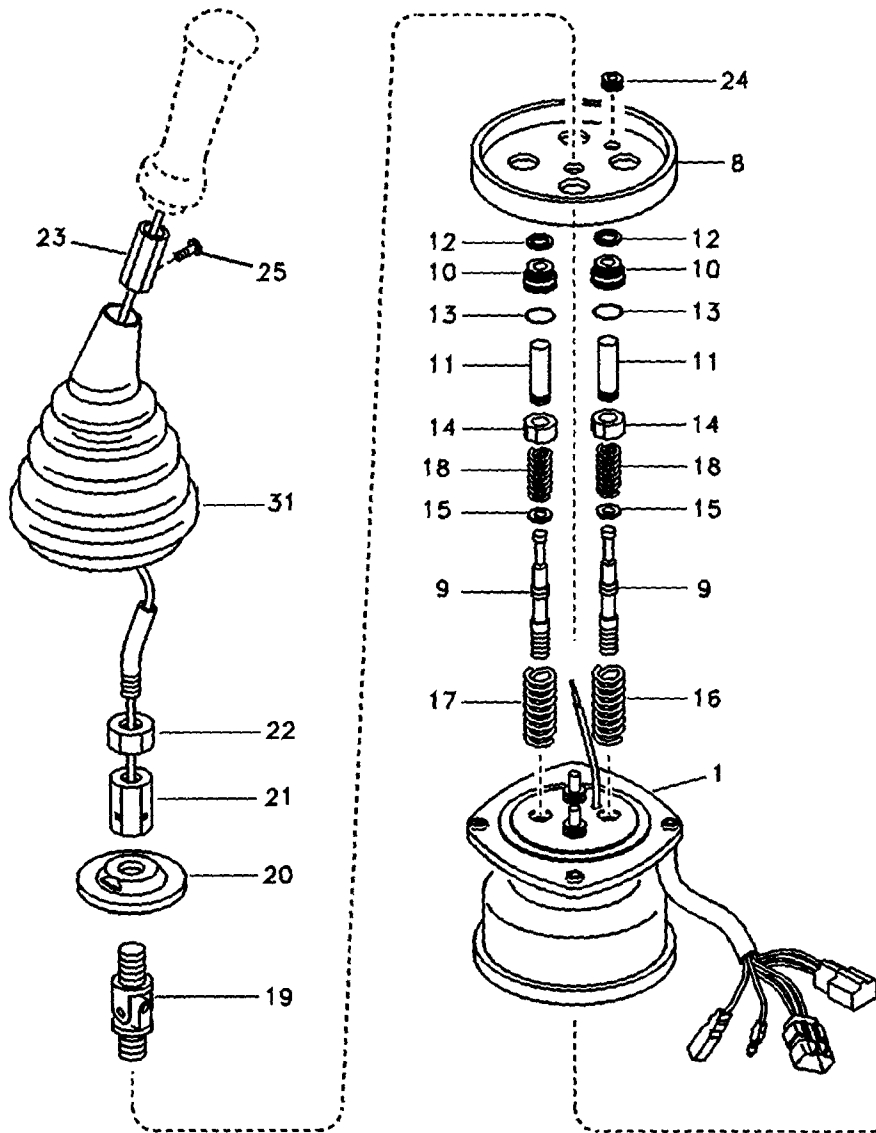


Fig.	Part No.	Quantity			P S	K I T	Description	Dénomination	Bezeichnung	품명	Denominación	Notes
		1	2	3								
	VOE 14510419	1				Rmt Cont Valve.....	Comm.a Distance .....	Fernbet Vent .....	원격조종밸브.....	Valv Contr Dist.....	5-Switch,LH	
	VOE 14510420	1				Rmt Cont Valve.....	Comm.a Distance .....	Fernbet Vent .....	원격조종밸브.....	Valv Contr Dist.....	5-Switch,RH	
1		1			NS	•Casing .....	•Boitier.....	•Gehäuse .....	•케이싱 .....	•Cubierta.....		
2	SA 8230-37150	1				•Plate .....	•Plaque.....	•Platte.....	•플레이트.....	•Placa.....		
3	SA 8230-19731	2				•Washer .....	•Rondelle.....	•Scheibe.....	•와셔 .....	•Arandela.....		
4	SA 8230-37060	1			K	•O-ring.....	•Joint Torique .....	•O-ring.....	•오링 .....	•Junta torica.....		
5	SA 8230-36920	2				•Screw.....	•Vis.....	•Schraube.....	•스크류 .....	•Tornillo.....		
6	SA 8230-25940	1				•Spring Pin .....	•Boulon de ressort.....	•Federstift.....	•스프링 핀.....	•Pasador Resorte.....		
7	SA 8230-37100	1				•Bushing.....	•Bague .....	•Buchse.....	•부싱 .....	•Casquillo.....		
8	SA 8230-37140	1				•Plate .....	•Plaque.....	•Platte.....	•플레이트.....	•Placa.....		
9		4			NS	•Spool .....	•Bobine.....	•Schieber.....	•스풀 .....	•Bobina.....		
10	SA 8230-28800	4				•Plug .....	•Bouchon.....	•Stopfen .....	•플러그 .....	•Tapon.....		
11	SA 8230-19790	4				•Bar .....	•Barre.....	•Stab .....	•바.....	•Barra.....		
12	SA 8230-20110	4			K	•Seal .....	•Plomb.....	•Plombe.....	•시일 .....	•Plomo.....		
13	SA 9511-12020	4			K	•O-ring.....	•Joint Torique .....	•O-ring.....	•오링 .....	•Junta torica.....		
14	SA 8230-36650	4				•Seat .....	•Siege.....	•Sitz.....	•시트 .....	•Asiento.....		
15	SA 8230-19690	4				•Washer .....	•Rondelle.....	•Scheibe.....	•와셔 .....	•Arandela.....		
16	VOE 14512873	2				•Spring .....	•Ressort .....	•Feder.....	•스프링 .....	•Muelle.....		
17	VOE 14512874	2				•Spring .....	•Ressort .....	•Feder.....	•스프링 .....	•Muelle.....		
18	SA 8230-36770	4				•Spring .....	•Ressort .....	•Feder.....	•스프링 .....	•Muelle.....		
19	SA 8230-20040	1				•Joint .....	•Cardan .....	•Gelenk.....	•조인트 .....	•Junta.....		
20	SA 8230-37120	1				•Plate .....	•Plaque.....	•Platte.....	•플레이트.....	•Placa.....		
21	SA 8230-19940	1				•Nut .....	•Ecrou .....	•Mutter.....	•너트 .....	•Tuerca.....		
22	SA 8230-19950	1				•Lock Nut .....	•Contre-ecrou.....	•Sicher Mutter.....	•록 너트 .....	•Contratuerca.....		
23	VOE 14500122	1				•Lever.....	•Levier .....	•Hebel.....	•레버 .....	•Palanca.....		
24	VOE 14500125	1				•Bushing.....	•Bague .....	•Buchse.....	•부싱 .....	•Casquillo.....		
25	VOE 14500124	1				•Pin .....	•Goupille.....	•Zapfen.....	•핀 .....	•Pasador.....		
26	VOE 14510802	1				•Knob .....	•Bouton .....	•Knauf .....	•손잡이 .....	•Boton.....	LH	
	VOE 14510803	1				•Knob .....	•Bouton .....	•Knauf .....	•손잡이 .....	•Boton.....	RH	
27	SA 8230-20180	1				••Terminal .....	••Fiche Connexion.....	••Anschlussstift .....	••터미널 .....	••Espiga Terminal.....		

1	8277148	<b>Servosistema, válvula de mando a distancia</b> 서보 배관 , 원격조종밸브 <b>Servosystem, Vorsteuergerät</b> <b>Système servo, valve de commande télécommandée</b> <b>Servo system, remote control valve</b>	Catalogue id	Group
2			56141	914
3			Illustr. No	Section
4			TA231	1300
5			Issue	Page
		VOE 7414356141	477	

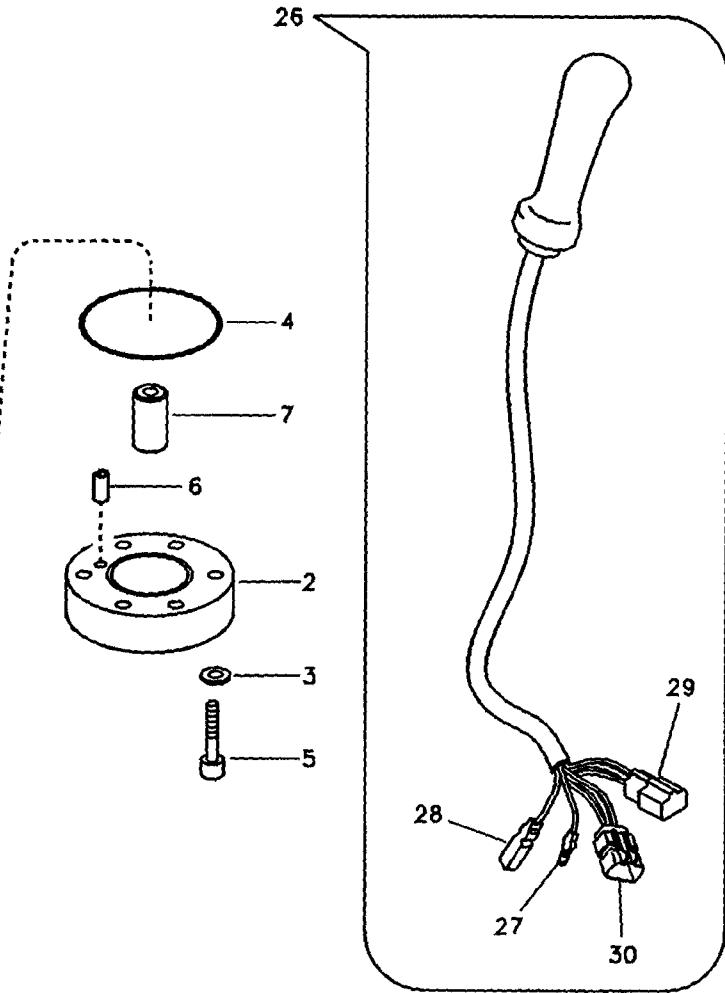
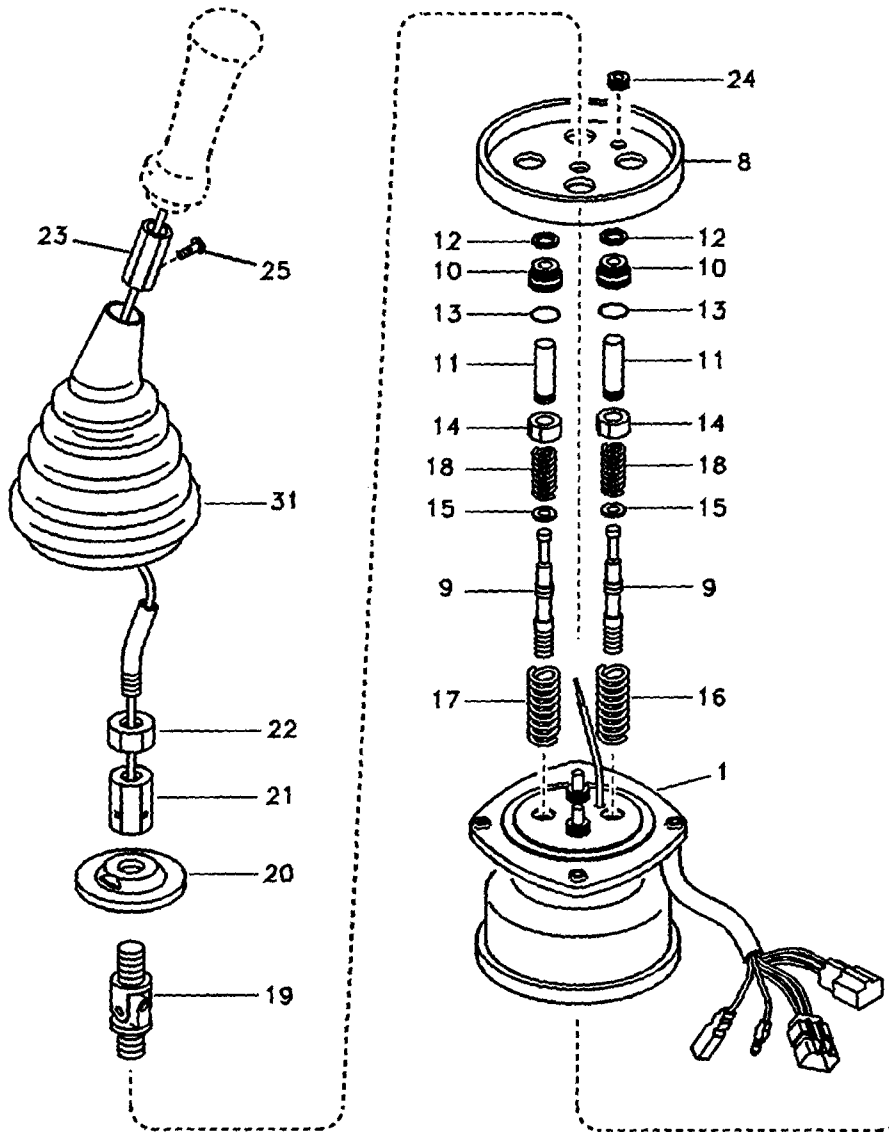


Fig.	Part No.	Quantity			P S	K I T	Description	Dénomination	Bezeichnung	품명	Denominación	Notes
		1	2	3								
28	SA 8230-20190	1					••Terminal .....	••Fiche Connexion.....	••Anschlussstift .....	•• 터미널 .....	••Espiga Terminal.....	
29	VOE 14500561	1					••Housing .....	••Carter.....	••Gehäuse .....	•• 하우징 .....	••Carter.....	
30	VOE 14500400	1					••Housing .....	••Carter.....	••Gehäuse .....	•• 하우징 .....	••Carter.....	
31	VOE 14500130	1					•Bellows .....	•Capot Caoutcho.....	•Gummimantel.....	• 벨로즈 .....	•Cubierta Goma.....	
100	SA 8230-36840	1					Sealing Kit.....	Jeu Joints .....	Dichtungssatz .....	시일 킷 .....	Juego Retenes.....	

1	8277148	<b>Servosistema, válvula de mando a distancia</b> 서보 배관 , 원격조종밸브 <b>Servosystem, Vorsteuergerät</b> <b>Système servo, valve de commande télécommandée</b> <b>Servo system, remote control valve</b>	Catalogue id	Group
2			<b>56141</b>	<b>914</b>
3			Illustr. No	Section
4			<b>TA231</b>	<b>1300</b>
5			Issue	Page
			<b>VOE 7414356141</b>	<b>479</b>

**VOLVO**

**EC210B**



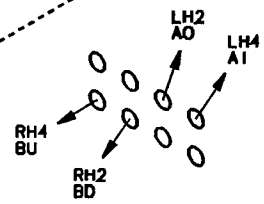
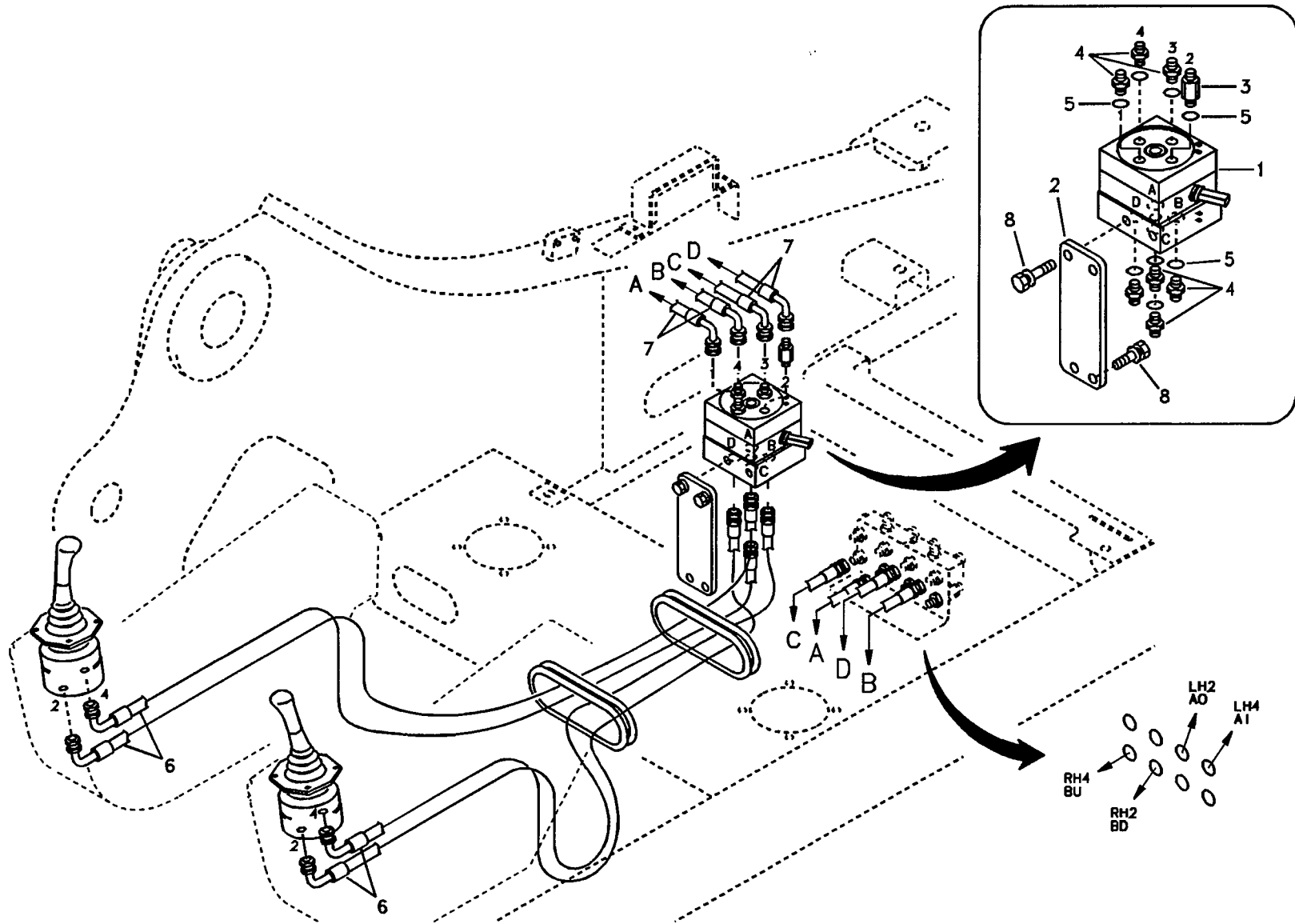


Fig.	Part No.	Quantity			P S	K T	Description	Dénomination	Bezeichnung	품명	Denominación	Notes
		1	2	3								
1	VOE 14513036	1				Valve .....	Soupape.....	Ventil .....	밸브 .....	Valvula.....		
	VOE 14517889	1				•O-ring.....	•Joint Torique.....	•O-ring.....	•오링 .....	•Junta torica.....	O-Ring kit	
2	VOE 14514823	1				Bracket.....	Console.....	Konsole .....	브라켓 .....	Ménsula.....		
3	SA 9411-91950	1				Connector .....	Raccord.....	Anschluss .....	커넥터 .....	Union.....		
4	SA 9412-11030	7				Connector .....	Raccord.....	Anschluss .....	커넥터 .....	Union.....		
5	SA 9511-12014	8				O-ring.....	Joint Torique .....	O-ring .....	오링 .....	Junta torica.....		
6	SA 9452-03241	4				Hose.....	Durit .....	Schlauch .....	호스 .....	Tubo flexible.....		
7	SA 9453-03224	4				Hose.....	Durit .....	Schlauch .....	호스 .....	Tubo flexible.....		
8	VOE 946329	4				Flange Screw .....	Vis A Bride .....	Flanschschraube .....	플랜지 스크류 .....	Torn Embridado.....		

1	8278557	<b>Servosistema, martillo y cizalla</b> 서보 배관 , 해머 및 시어 <b>Servosystem, Hammer und Schere</b> <b>Système servo, marteau et ciseaux</b> <b>Servo system, hammer and shear</b>	Catalogue id	Group
2			<b>56141</b>	<b>914</b>
3			Illustr. No	Section
4			<b>TA232</b>	<b>2100</b>
5			Issue	Page
			<b>VOE 7414356141</b>	<b>481</b>

**VOLVO**

**EC210B**

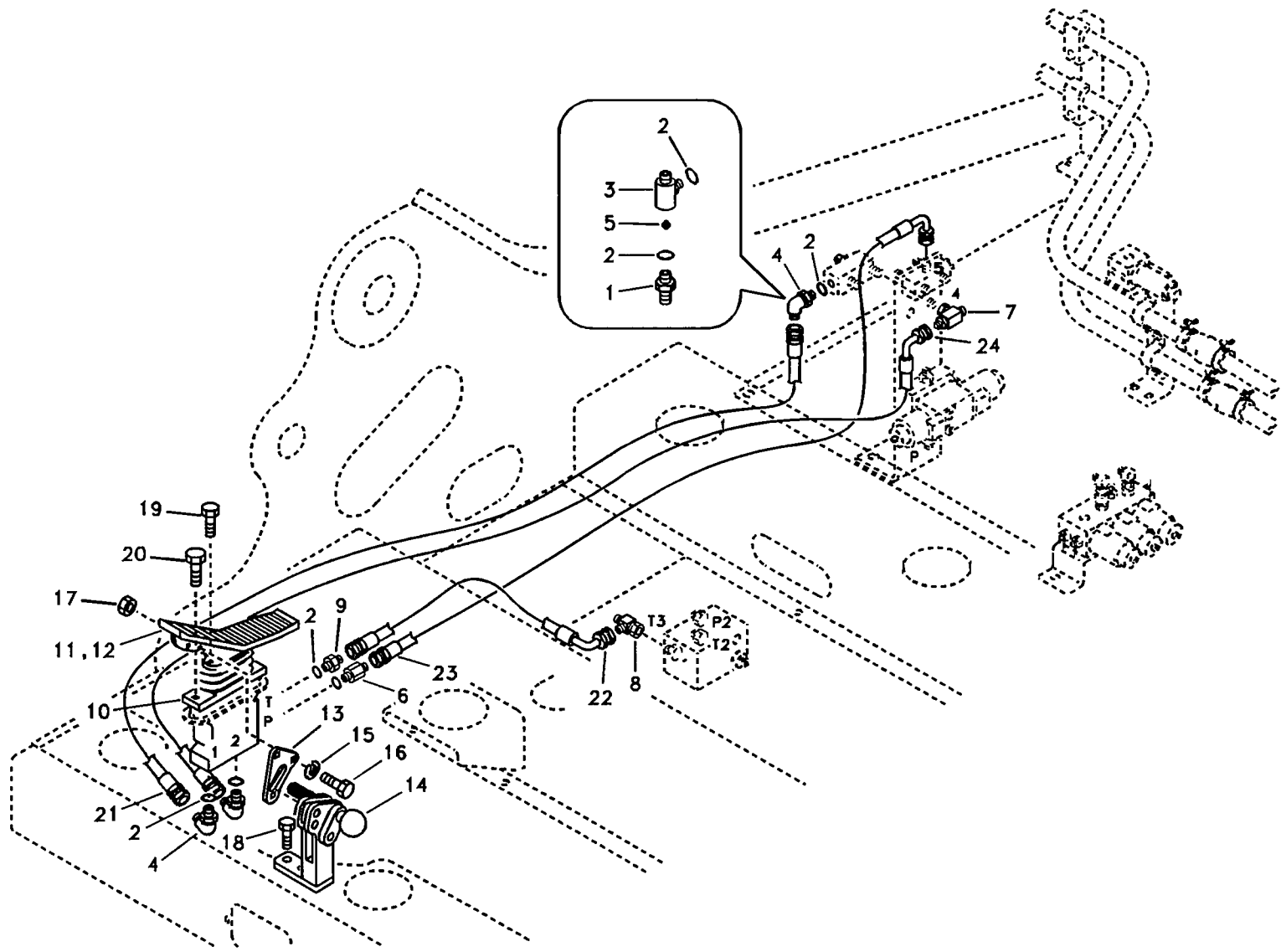


Fig.	Part No.	Quantity			P S	K I T	Description	Dénomination	Bezeichnung	품명	Denominación	Notes
		1	2	3								
1	SA 9411-92472	1				Connector .....	Raccord.....	Anschluss .....	커넥터 .....	Union.....		
2	SA 9511-12011	6				O-ring .....	Joint Torique .....	O-ring .....	오링 .....	Junta torica.....		
3	SA 9411-92992	1				Tee.....	Connexion en T.....	T-stuck .....	티 .....	Acoplamiento T.....		
4	SA 9413-11160	3				Elbow .....	Coude .....	Winkelstueck .....	엘보 .....	Codo.....		
5	SA 9676-51600	1				Ball .....	Bille .....	Kugel .....	볼 .....	Bola.....		
6	SA 1048-10540	1				Connector .....	Raccord.....	Anschluss .....	커넥터 .....	Union.....		
7	VOE 14511027	1				Tee.....	Connexion en T.....	T-stuck .....	티 .....	Acoplamiento T.....		
8	SA 9411-91310	1				Tee.....	Connexion en T.....	T-stuck .....	티 .....	Acoplamiento T.....		
9	SA 9412-11120	1				Connector .....	Raccord.....	Anschluss .....	커넥터 .....	Union.....		
10	VOE 14514215	1				Rmt Cont Valve.....	Comm.a Distance .....	Fernbet Vent .....	원격조종밸브.....	Valv Contr Dist.....	See group 916, Page 553	
11	VOE 14508105	1				Pedal.....	Pedale .....	Pedal .....	페달 .....	Pedal.....		
12	VOE 14508247	1				Cover .....	Capot .....	Haube .....	커버 .....	Capa.....		
13	SA 1148-02030	1				Plate.....	Plaque .....	Platte .....	플레이트 .....	Placa.....		
14	VOE 14515388	1				Stopper .....			스토퍼 .....			
15	VOE 955922	2				Spring Washer .....	Rondelle ressort.....	Federscheibe.....	스프링 와셔 .....	Arandela resorte.....		
16	VOE 946329	2				Flange Screw .....	Vis A Bride .....	Flanschschraube .....	플랜지 스크류 .....	Torn Embridado.....		
17	VOE 983304	2				Nut .....	Ecrou.....	Mutter .....	너트 .....	Tuerca.....		
18	VOE 946472	2				Flange Screw .....	Vis A Bride .....	Flanschschraube .....	플랜지 스크류 .....	Torn Embridado.....		
19	SA 9016-11003	2				Bolt.....	Boulon .....	Bolzen.....	볼트 .....	Perno.....		
20	VOE 965185	2				Screw .....	Vis .....	Schraube .....	스크류 .....	Tornillo.....		
21	SA 9451-03245	1				Hose.....	Durit .....	Schlauch .....	호스 .....	Tubo flexible.....		
22	SA 9452-03221	1				Hose.....	Durit .....	Schlauch .....	호스 .....	Tubo flexible.....		
23	SA 9453-02246	1				Hose.....	Durit .....	Schlauch .....	호스 .....	Tubo flexible.....		
24	SA 9453-03245	1				Hose.....	Durit .....	Schlauch .....	호스 .....	Tubo flexible.....		

1	8278547	<b>Servosistema, martillo y cizalla</b> 서보 배관 , 해머 및 시어 <b>Servosystem, Hammer und Schere</b> <b>Système servo, marteau et ciseaux</b> <b>Servo system, hammer and shear</b>	Catalogue id	Group
2			<b>56141</b>	<b>914</b>
3			Illustr. No	Section
4			<b>TA233</b>	<b>2200</b>
5			Issue	Page
			<b>VOE 7414356141</b>	<b>483</b>

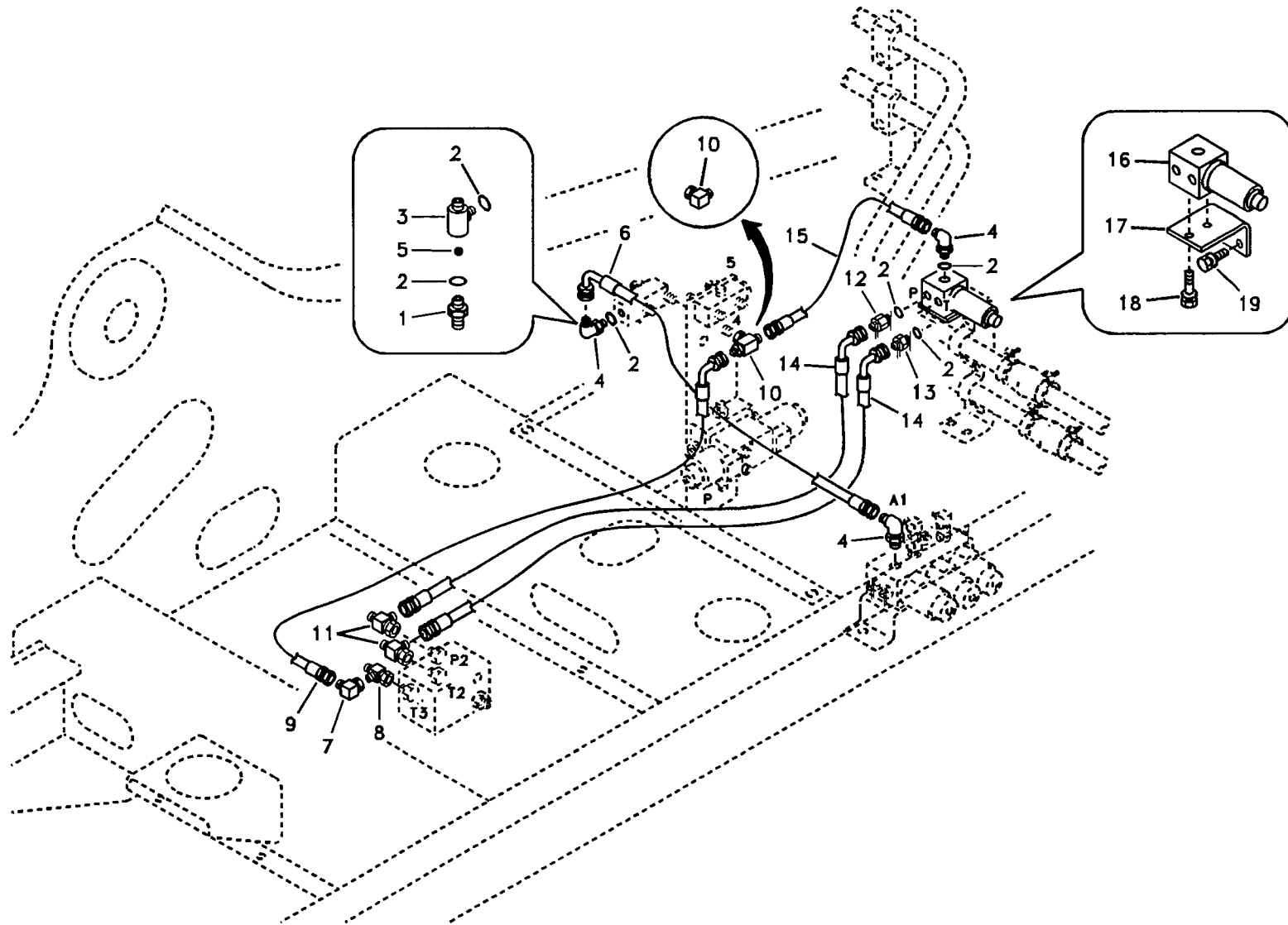


Fig.	Part No.	Quantity			P S	K T	Description	Dénomination	Bezeichnung	품명	Denominación	Notes
		1	2	3								
1	SA 9411-92472	1			1		Connector .....	Raccord.....	Anschluss .....	커넥터 .....	Union.....	
2	SA 9511-12011	2			5		O-ring .....	Joint Torique .....	O-ring .....	오링 .....	Junta torica.....	
3	SA 9411-92992	1			1		Tee .....	Connexion en T.....	T-stuck .....	티 .....	Acoplamiento T.....	
4	SA 9413-11010	2			3		Elbow .....	Coude .....	Winkelstueck .....	엘보 .....	Codo.....	
5	SA 9676-51600	1			1		Ball .....	Bille .....	Kugel .....	볼 .....	Bola.....	
6	SA 9453-02211	1			1		Hose.....	Durit .....	Schlauch .....	호스 .....	Tubo flexible.....	
7	SA 9411-90490		1				Elbow .....	Coude .....	Winkelstueck .....	엘보 .....	Codo.....	
8	SA 9411-91310		1				Tee.....	Connexion en T.....	T-stuck .....	티 .....	Acoplamiento T.....	
9	SA 9453-03226		1				Hose.....	Durit .....	Schlauch .....	호스 .....	Tubo flexible.....	
10	VOE 14511027				1		Tee.....	Connexion en T.....	T-stuck .....	티 .....	Acoplamiento T.....	
	VOE 14880233				1		Elbow .....	Coude .....	Winkelstueck .....	엘보 .....	Codo.....	
11	SA 9411-95870				2		Tee.....	Connexion en T.....	T-stuck .....	티 .....	Acoplamiento T.....	
12	SA 1048-10540				1		Connector .....	Raccord.....	Anschluss .....	커넥터 .....	Union.....	
13	SA 9412-11020				1		Connector .....	Raccord.....	Anschluss .....	커넥터 .....	Union.....	
14	SA 9453-02226		2				Hose.....	Durit .....	Schlauch .....	호스 .....	Tubo flexible.....	
15	SA 9451-02206		1				Hose.....	Durit .....	Schlauch .....	호스 .....	Tubo flexible.....	
16	VOE 14502037				1		Valve .....	Soupape.....	Ventil .....	밸브 .....	Valvula.....	
17	VOE 14508071				1		Plate.....	Plaque .....	Platte .....	플레이트 .....	Placa.....	
18	VOE 946440				2		Flange Screw .....	Vis A Bride .....	Flanschschraube .....	플랜지 스크류 .....	Torn Embridado.....	
19	VOE 946471				2		Flange Screw .....	Vis A Bride .....	Flanschschraube .....	플랜지 스크류 .....	Torn Embridado.....	

1	8278544	<b>Servosistema, martillo y cizalla</b> 서보 배관 , 해머 및 시어 <b>Servosystem, Hammer und Schere</b> <b>Système servo, marteau et ciseaux</b> <b>Servo system, hammer and shear</b>	Catalogue id	Group
2	8278545		<b>56141</b>	<b>914</b>
3	8278550		Illustr. No	Section
4			<b>TA234</b>	<b>2300</b>
5			Issue	Page
			<b>VOE 7414356141</b>	<b>485</b>

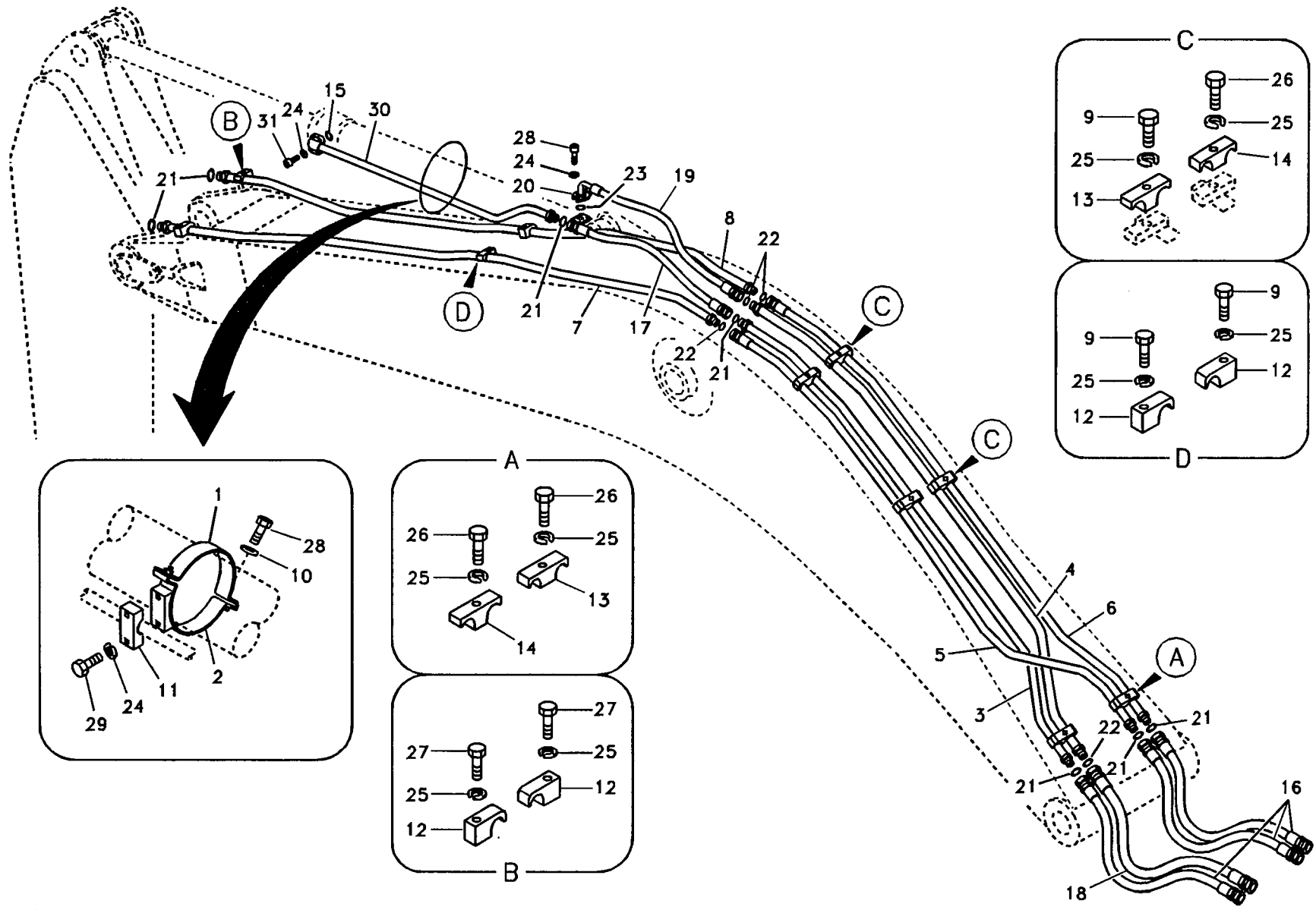


Fig.	Part No.	Quantity			P S	K I T	Description	Dénomination	Bezeichnung	품명	Denominación	Notes
		1	2	3								
1	VOE 14507816	1	1			Clamp.....	Pince Serrage .....	Klemme .....	클램프 .....	Abrazadera.....		
2	VOE 14517511	1	1			Clamp.....	Pince Serrage .....	Klemme .....	클램프 .....	Abrazadera.....		
3	SA 1174-00072	1	1			Pipe.....	Canalisation .....	Rohrleitung .....	파이프 .....	Canalización.....		
4	SA 1174-00082	1	1			Pipe.....	Canalisation .....	Rohrleitung .....	파이프 .....	Canalización.....		
5	SA 1174-56980	1	1			Pipe.....	Canalisation .....	Rohrleitung .....	파이프 .....	Canalización.....		
6	SA 1174-56990	1	1			Pipe.....	Canalisation .....	Rohrleitung .....	파이프 .....	Canalización.....		
7	SA 1174-56960	1	1			Pipe.....	Canalisation .....	Rohrleitung .....	파이프 .....	Canalización.....		
8	SA 1174-56970	1	1			Pipe.....	Canalisation .....	Rohrleitung .....	파이프 .....	Canalización.....		
9	SA 9011-21613	4	4			Bolt.....	Boulon.....	Bolzen.....	볼트 .....	Perno.....		
10	SA 9211-10000	2	2			Washer.....	Rondelle.....	Scheibe.....	와셔 .....	Arandela.....		
11	SA 9372-32850	1	1			Clamp.....	Pince Serrage .....	Klemme .....	클램프 .....	Abrazadera.....		
12	SA 9372-42835	4	4			Clamp.....	Pince Serrage .....	Klemme .....	클램프 .....	Abrazadera.....		
13	SA 9372-52870	3	3			Clamp.....	Pince Serrage .....	Klemme .....	클램프 .....	Abrazadera.....		
14	SA 9372-62870	3	3			Clamp.....	Pince Serrage .....	Klemme .....	클램프 .....	Abrazadera.....		
15	SA 9512-02214		1			O-ring.....	Joint Torique .....	O-ring .....	오링 .....	Junta torica.....		
16	SA 9401-05629	3	3			Hose.....	Durit .....	Schlauch .....	호스 .....	Tubo flexible.....		
17	SA 9401-05617	1	1			Hose.....	Durit .....	Schlauch .....	호스 .....	Tubo flexible.....		
18	SA 9401-06629	1	1			Hose.....	Durit .....	Schlauch .....	호스 .....	Tubo flexible.....		
19	SA 9406-06617	1	1			Hose.....	Durit .....	Schlauch .....	호스 .....	Tubo flexible.....		
20	SA 9425-51031	2	2			Flange.....	Flasque .....	Flansch .....	플랜지 .....	Brida.....		
21	SA 9512-02018	6	7			O-ring.....	Joint Torique .....	O-ring .....	오링 .....	Junta torica.....		
22	SA 9512-02021	4	4			O-ring.....	Joint Torique .....	O-ring .....	오링 .....	Junta torica.....		
23	SA 9512-02219	1	1			O-ring.....	Joint Torique .....	O-ring .....	오링 .....	Junta torica.....		
24	VOE 955922	6	10			Spring Washer .....	Rondelle ressort.....	Federscheibe.....	스프링 와셔 .....	Arandela resorte.....		
25	VOE 955926	10	10			Spring Washer .....	Rondelle ressort.....	Federscheibe.....	스프링 와셔 .....	Arandela resorte.....		
26	VOE 978939	4	4			Screw.....	Vis.....	Schraube .....	스크류 .....	Tornillo.....		
27	VOE 978940	2	2			Screw.....	Vis.....	Schraube .....	스크류 .....	Tornillo.....		
28	VOE 983252	6	6			Screw.....	Vis.....	Schraube .....	스크류 .....	Tornillo.....		
29	VOE 983253	2	2			Screw.....	Vis.....	Schraube .....	스크류 .....	Tornillo.....		
30	SA 1174-00112		1			Pipe.....	Canalisation .....	Rohrleitung .....	파이프 .....	Canalización.....		

1	8277878	<b>Hidráulica de trabajo, cilindro de brazo en la pluma</b> 유압 배관 , 붐측 디퍼 암 실린더 <b>Arbeitshydraulik, Stielzylinder auf Ausleger</b> <b>Hydraulique de travail, cylindre de bras sur flèche</b> <b>Working hydraulic, dipper arm cylinder on boom.</b>	Catalogue id	Group
2	8277879		<b>56141</b>	<b>916</b>
3			Illustr. No	Section
4			<b>TA235</b>	<b>100</b>
5			Issue	Page
		<b>VOE 7414356141</b>	<b>487</b>	



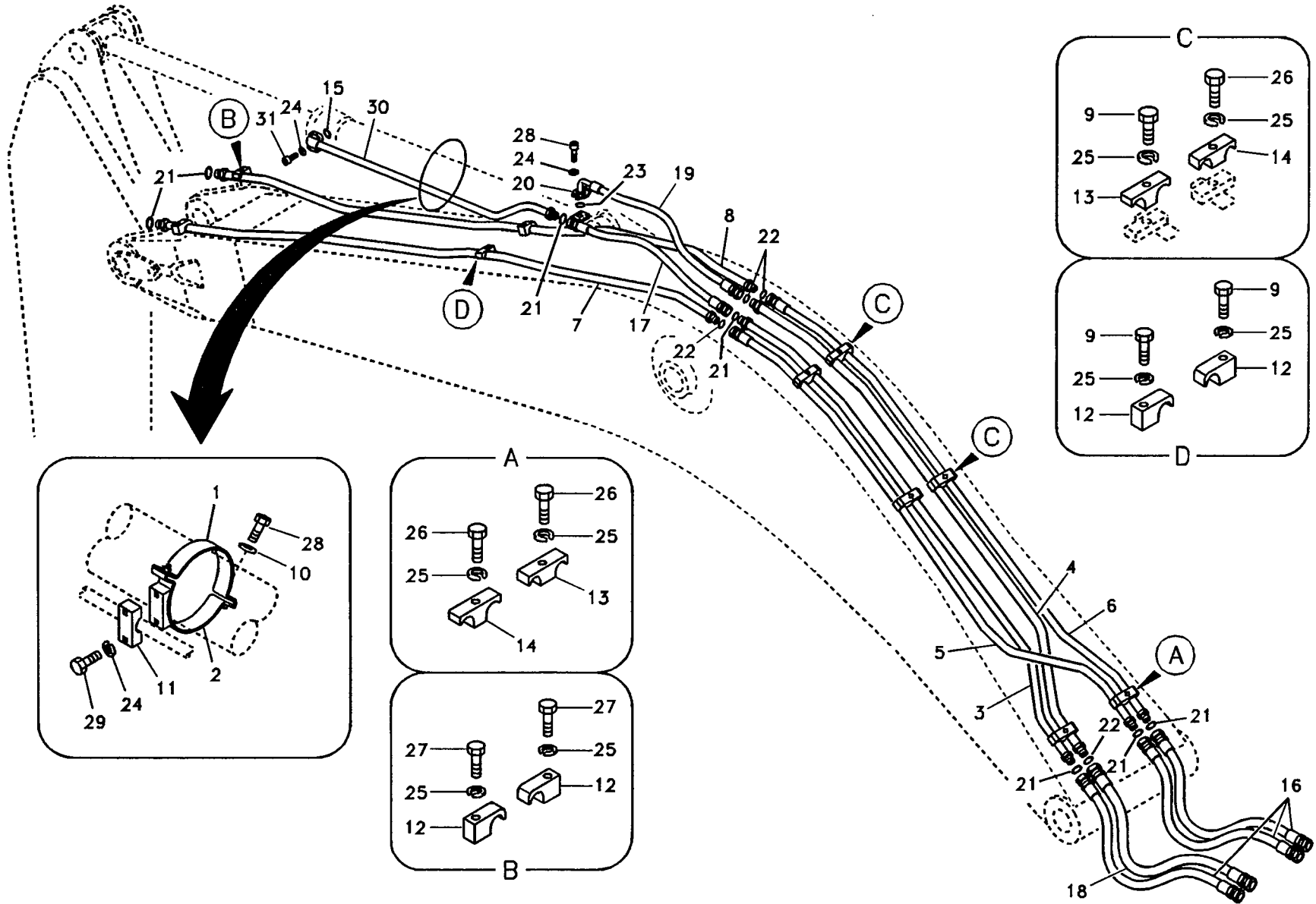


Fig.	Part No.	Quantity			P S	K I T	Description	Dénomination	Bezeichnung	품명	Denominación	Notes
		1	2	3								
31	VOE 967636		4			Screw .....	Vis .....	Schraube .....	스크류 .....	Tornillo.....		

1	8277878	<b>Hidráulica de trabajo, cilindro de brazo en la pluma</b> 유압 배관 , 붐측 디퍼 암 실린더 <b>Arbeitshydraulik, Stielzylinder auf Ausleger</b> Hydraulique de travail, cylindre de bras sur flèche Working hydraulic, dipper arm cylinder on boom.	Catalogue id	Group
2	8277879		<b>56141</b>	<b>916</b>
3			Illustr. No	Section
4			<b>TA235</b>	<b>100</b>
5			Issue	Page
		<b>VOE 7414356141</b>	<b>489</b>	

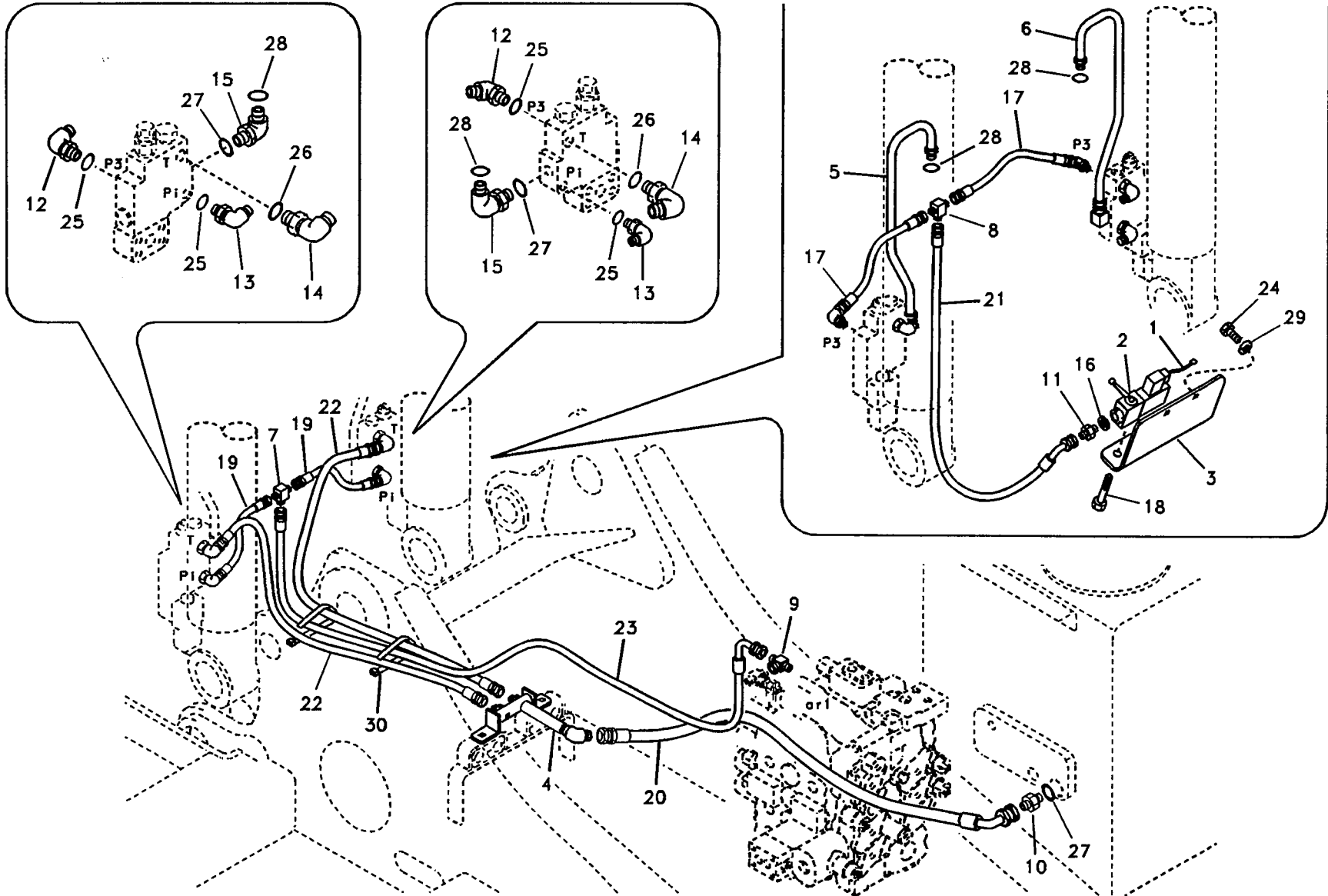


Fig.	Part No.	Quantity			P S	K I T	Description	Dénomination	Bezeichnung	품명	Denominación	Notes
		1	2	3								
1	SA 1022-04921	1				Wire Harness .....	Faisceau électrique....	Kabelbaum.....	배선 .....	Manejo Cables.....		
2	SA 1074-07490	1				Switch .....	Contacteur .....	Schalter.....	스위치 .....	Contactor.....		
3	SA 1174-52290	1				Bracket.....	Ferrure-support .....	Tragstutse.....	브라켓 .....	Hierro Apoyo.....		
4	VOE 14512490	1				Pipe.....	Canalisation .....	Rohrleitung .....	파이프 .....	Canalización.....		
5	VOE 14512709	1				Pipe.....	Canalisation .....	Rohrleitung .....	파이프 .....	Canalización.....		
6	VOE 14512710	1				Pipe.....	Canalisation .....	Rohrleitung .....	파이프 .....	Canalización.....		
7	SA 9411-90430	1				Tee.....	Connexion en T.....	T-stuck .....	티 .....	Acoplamiento T.....		
8	SA 9411-92010	1				Tee.....	Connexion en T.....	T-stuck .....	티 .....	Acoplamiento T.....		
9	SA 9411-92600	1				Tee.....	Connexion en T.....	T-stuck .....	티 .....	Acoplamiento T.....		
10	SA 9412-11050	1				Connector .....	Raccord.....	Anschluss .....	커넥터 .....	Union.....		
11	SA 9412-12020	1				Connector .....	Raccord.....	Anschluss .....	커넥터 .....	Union.....		
12	SA 9413-11010	2				Elbow .....	Coude .....	Winkelstueck .....	엘보 .....	Coda.....		
13	SA 9413-11160	2				Elbow .....	Coude .....	Winkelstueck .....	엘보 .....	Coda.....		
14	SA 9413-11180	2				Elbow .....	Coude .....	Winkelstueck .....	엘보 .....	Coda.....		
15	SA 9419-21030	2				Elbow .....	Coude .....	Winkelstueck .....	엘보 .....	Coda.....		
16	SA 9426-10020	1				Gasket.....	Joint .....	Dichtung .....	가스킷 .....	Junta.....		
17	SA 9451-02610	2				Hose.....	Durit .....	Schlauch .....	호스 .....	Tubo flexible.....		
18	VOE 969407	2				6-pt Skt Screw.....	Vis Creuse 6 De.....	6-zahn Hohlshr.....	6 포인트 소켓 스크류.....	Racor 6-dientes.....		
19	SA 9451-03308	2				Hose.....	Durit .....	Schlauch .....	호스 .....	Tubo flexible.....		
20	SA 9452-05231	1				Hose.....	Durit .....	Schlauch .....	호스 .....	Tubo flexible.....		
21	SA 9453-02617	1				Hose.....	Durit .....	Schlauch .....	호스 .....	Tubo flexible.....		
22	SA 9451-04322	2				Hose.....	Durit .....	Schlauch .....	호스 .....	Tubo flexible.....		
23	SA 9453-03352	1				Hose.....	Durit .....	Schlauch .....	호스 .....	Tubo flexible.....		
24	VOE 946441	2				Flange Screw.....	Vis A Bride .....	Flanschschraube.....	플랜지 스크류 .....	Torn Embridado.....		
25	SA 9511-12011	4				O-ring .....	Joint Torique .....	O-ring .....	오링 .....	Junta torica.....		
26	SA 9511-12014	2				O-ring .....	Joint Torique .....	O-ring .....	오링 .....	Junta torica.....		
27	SA 9511-12024	3				O-ring .....	Joint Torique .....	O-ring .....	오링 .....	Junta torica.....		
28	SA 9512-02018	4				O-ring .....	Joint Torique .....	O-ring .....	오링 .....	Junta torica.....		
29	VOE 955918	2				Spring Washer .....	Rondelle ressort.....	Federscheibe.....	스프링 와셔 .....	Arandela resorte.....		
30	SA 9314-02300	15				Strip Clamp .....	Ruban Serrage.....	Bandklammer .....	스트립 클램프 .....	Abraz Cinta.....		

1	8277877	<b>Hidráulica de trabajo, válvula de rotura de manguera en plum</b> 낙하 방지 장치 배관, 붐 <b>Arbeitshydraulik, Leitungsbruchventil Ausleger</b> <b>Hydraulique de travail, coupure flèche</b> <b>Working hydraulic, boom rupture</b>	Catalogue id	Group
2			<b>56141</b>	<b>916</b>
3			Illustr. No	Section
4			<b>TA236</b>	<b>300</b>
5			Issue	Page
			<b>VOE 7414356141</b>	<b>491</b>

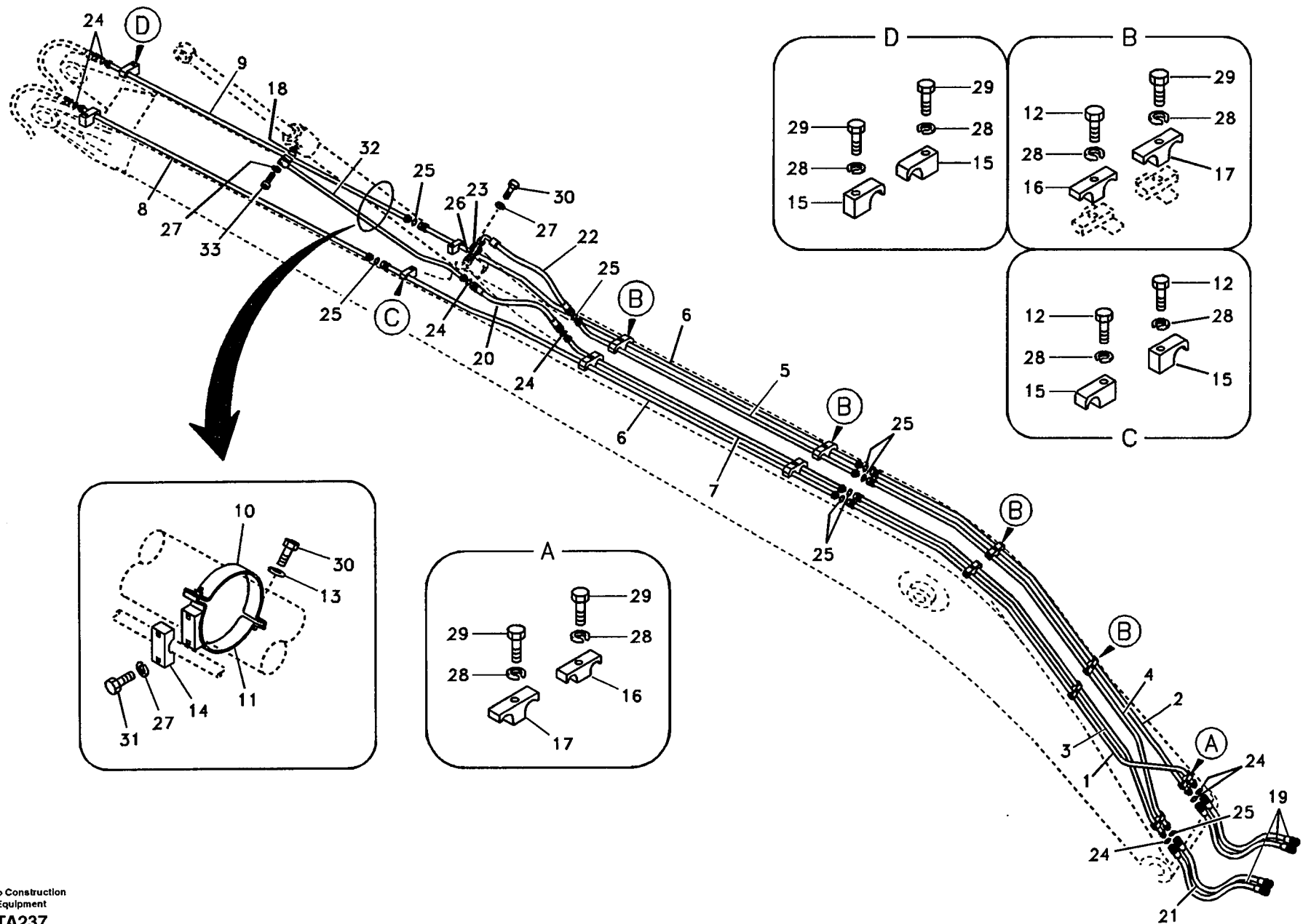


Fig.	Part No.	Quantity			P S	K I T	Description	Dénomination	Bezeichnung	품명	Denominación	Notes
		1	2	3								
1	SA 1174-50810	1	1			Pipe.....	Canalisation .....	Rohrleitung .....	파이프 .....	Canalización.....		
2	SA 1174-50800	1	1			Pipe.....	Canalisation .....	Rohrleitung .....	파이프 .....	Canalización.....		
3	SA 1174-50820	1	1			Pipe.....	Canalisation .....	Rohrleitung .....	파이프 .....	Canalización.....		
4	SA 1174-50830	1	1			Pipe.....	Canalisation .....	Rohrleitung .....	파이프 .....	Canalización.....		
5	SA 1174-50860	1	1			Pipe.....	Canalisation .....	Rohrleitung .....	파이프 .....	Canalización.....		
6	SA 1174-50840	2	2			Pipe.....	Canalisation .....	Rohrleitung .....	파이프 .....	Canalización.....		
7	SA 1174-50850	1	1			Pipe.....	Canalisation .....	Rohrleitung .....	파이프 .....	Canalización.....		
8	SA 1174-00092	1	1			Pipe.....	Canalisation .....	Rohrleitung .....	파이프 .....	Canalización.....		
9	SA 1174-00102	1	1			Pipe.....	Canalisation .....	Rohrleitung .....	파이프 .....	Canalización.....		
10	VOE 14507816	1	1			Clamp.....	Pince Serrage .....	Klemme .....	클램프 .....	Abrazadera.....		
11	VOE 14517511	1	1			Clamp.....	Pince Serrage .....	Klemme .....	클램프 .....	Abrazadera.....		
12	SA 9011-21613	6	6			Bolt.....	Boulon .....	Bolzen .....	볼트 .....	Perno.....		
13	SA 9211-10000	2	2			Washer.....	Rondelle .....	Scheibe .....	와셔 .....	Arandela.....		
14	SA 9372-32850	1	1			Clamp.....	Pince Serrage .....	Klemme .....	클램프 .....	Abrazadera.....		
15	SA 9372-42835	4	4			Clamp.....	Pince Serrage .....	Klemme .....	클램프 .....	Abrazadera.....		
16	SA 9372-52870	5	5			Clamp.....	Pince Serrage .....	Klemme .....	클램프 .....	Abrazadera.....		
17	SA 9372-62870	5	5			Clamp.....	Pince Serrage .....	Klemme .....	클램프 .....	Abrazadera.....		
18	SA 9512-02214	1	1			O-ring.....	Joint Torique .....	O-ring .....	오링 .....	Junta torica.....		
19	SA 9401-05629	3	3			Hose.....	Durit .....	Schlauch .....	호스 .....	Tubo flexible.....		
20	SA 9401-05617	1	1			Hose.....	Durit .....	Schlauch .....	호스 .....	Tubo flexible.....		
21	SA 9401-06629	1	1			Hose.....	Durit .....	Schlauch .....	호스 .....	Tubo flexible.....		
22	SA 9406-06617	1	1			Hose.....	Durit .....	Schlauch .....	호스 .....	Tubo flexible.....		
23	SA 9425-51031	2	2			Flange.....	Flasque .....	Flansch .....	플랜지 .....	Brida.....		
24	SA 9512-02018	7	7			O-ring.....	Joint Torique .....	O-ring .....	오링 .....	Junta torica.....		
25	SA 9512-02021	8	8			O-ring.....	Joint Torique .....	O-ring .....	오링 .....	Junta torica.....		
26	SA 9512-02219	1	1			O-ring.....	Joint Torique .....	O-ring .....	오링 .....	Junta torica.....		
27	VOE 955922	10	10			Spring Washer .....	Rondelle ressort.....	Federscheibe.....	스프링 와셔 .....	Arandela resorte.....		
28	VOE 955926	14	14			Spring Washer .....	Rondelle ressort.....	Federscheibe.....	스프링 와셔 .....	Arandela resorte.....		
29	VOE 978939	8	8			Screw.....	Vis .....	Schraube .....	스크류 .....	Tornillo.....		
30	VOE 983252	6	6			Screw.....	Vis .....	Schraube .....	스크류 .....	Tornillo.....		

1	8277827	<b>Hidráulica de trabajo, cilindro de brazo en la pluma largo.</b> 유압 배관 , 롱 붐측 디퍼 암 실린더 <b>Arbeitshydraulik, Stielzylinder auf langes Ausleger</b> <b>Hydraulique de travail, cylindre de bras sur flèche longue</b> <b>Working hydraulic, dipper arm cylinder on long boom</b>	Catalogue id	Group
2	8278174		<b>56141</b>	<b>916</b>
3			Illustr. No	Section
4			<b>TA237</b>	<b>400</b>
5			Issue	Page
		<b>VOE 7414356141</b>	<b>493</b>	

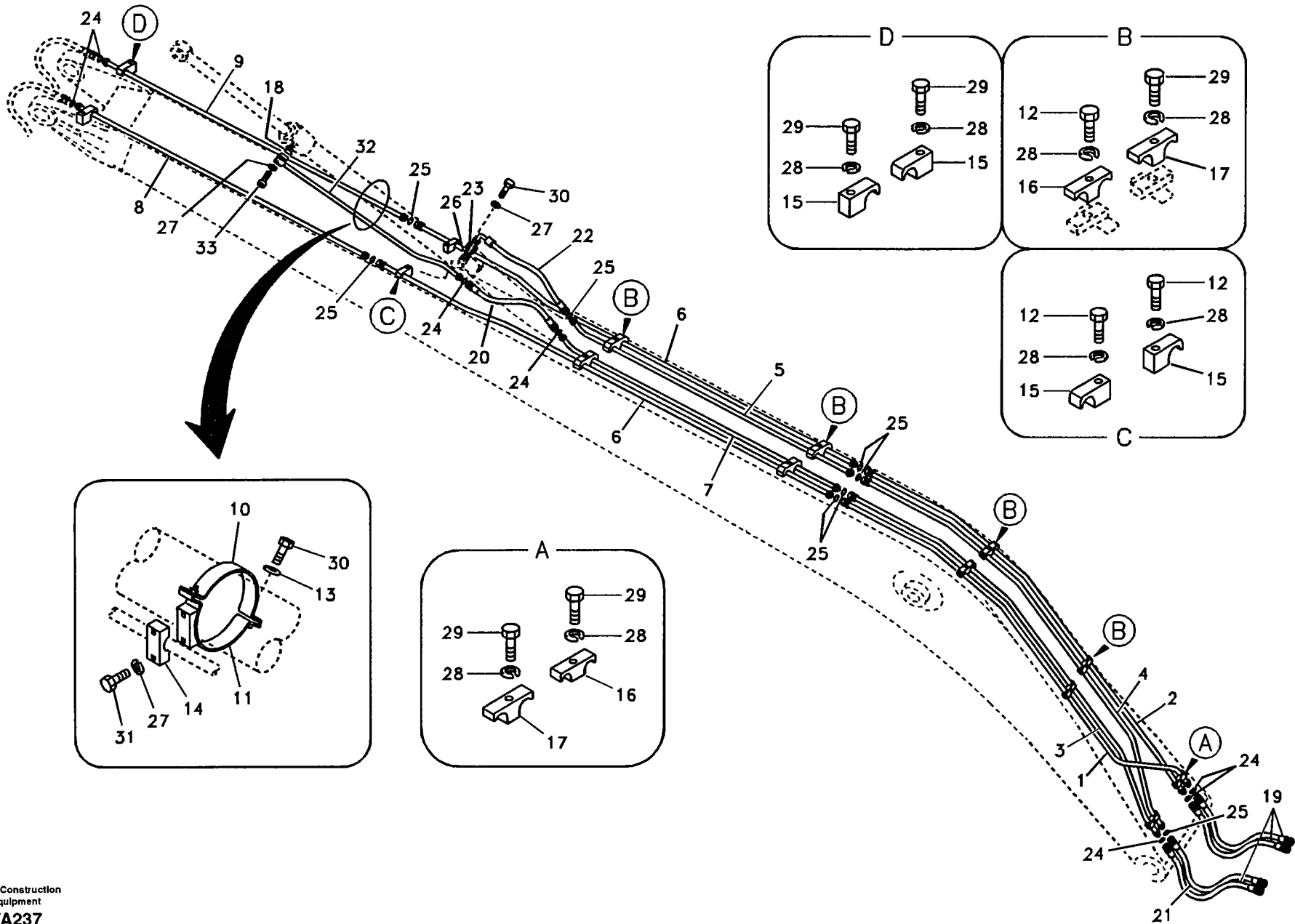


Fig.	Part No.	Quantity			P S	K I T	Description	Dénomination	Bezeichnung	품명	Denominación	Notes
		1	2	3								
31	VOE 983253	2	2			Screw .....	Vis .....	Schraube .....	스크류 .....	Tornillo.....		
32	SA 1174-00112	1	1			Pipe.....	Canalisation .....	Rohrleitung .....	파이프 .....	Canalización.....		
33	VOE 967636	4	4			Screw .....	Vis .....	Schraube .....	스크류 .....	Tornillo.....		

1	8277827	<b>Hidráulica de trabajo, cilindro de brazo en la pluma largo.</b> 유압 배관 , 롱 붐측 디퍼 암 실린더 <b>Arbeitshydraulik, Stielzylinder auf langes Ausleger</b> <b>Hydraulique de travail, cylindre de bras sur flèche longue</b> <b>Working hydraulic, dipper arm cylinder on long boom</b>	Catalogue id	Group
2	8278174		<b>56141</b>	<b>916</b>
3			Illustr. No	Section
4			<b>TA237</b>	<b>400</b>
5			Issue	Page
			<b>VOE 7414356141</b>	<b>495</b>



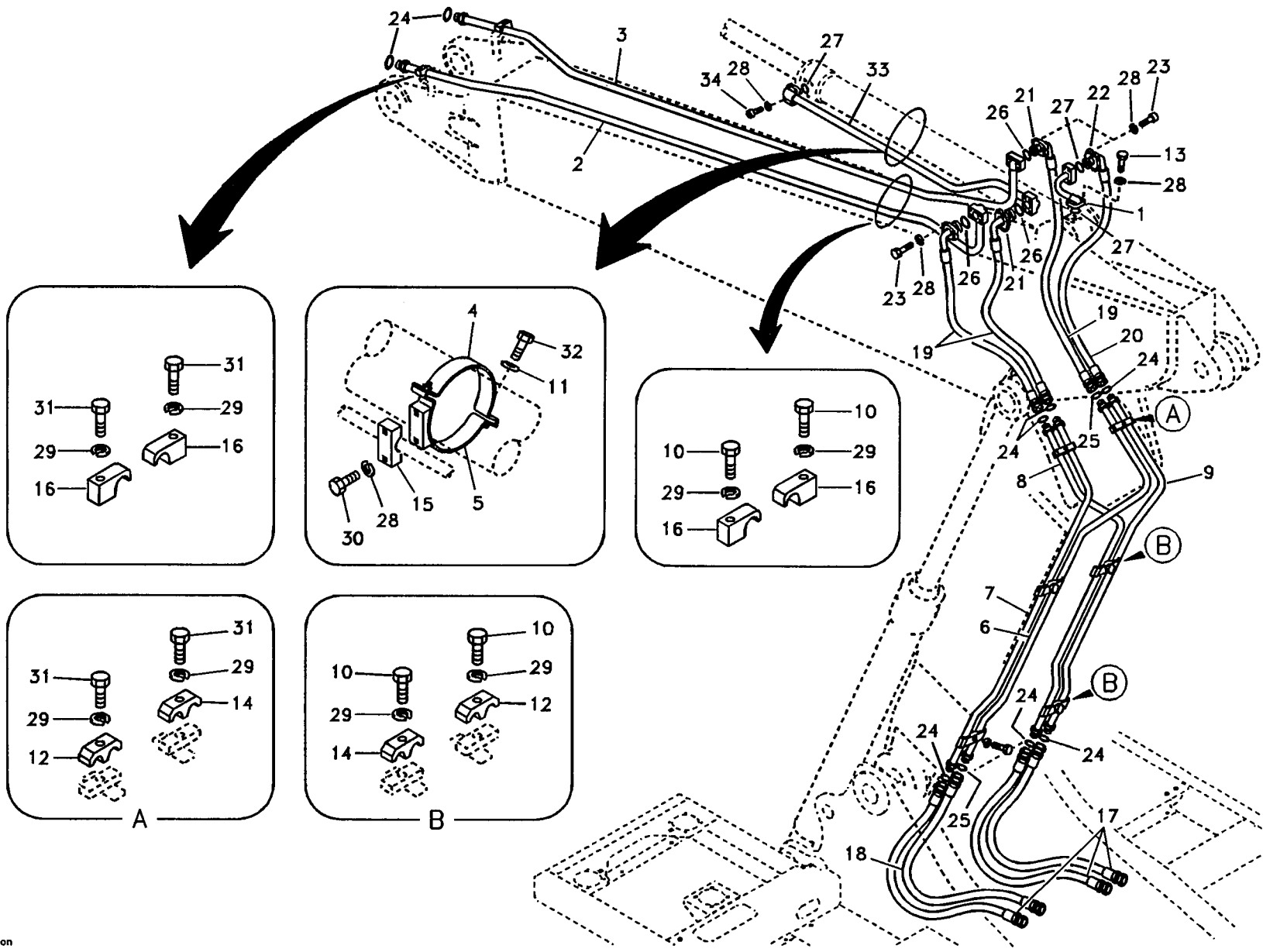


Fig.	Part No.	Quantity			P S	K I T	Description	Dénomination	Bezeichnung	품명	Denominación	Notes
		1	2	3								
1	SA 1174-53890	1	1			Pipe.....	Canalisation .....	Rohrleitung .....	파이프 .....	Canalización.....		
2	SA 1174-53930	1	1			Pipe.....	Canalisation .....	Rohrleitung .....	파이프 .....	Canalización.....		
3	SA 1174-53940	1	1			Pipe.....	Canalisation .....	Rohrleitung .....	파이프 .....	Canalización.....		
4	VOE 14507816	1	1			Clamp.....	Pince Serrage .....	Klemme .....	클램프 .....	Abrazadera.....		
5	VOE 14517511	1	1			Clamp.....	Pince Serrage .....	Klemme .....	클램프 .....	Abrazadera.....		
6	SA 1174-53800	1	1			Pipe.....	Canalisation .....	Rohrleitung .....	파이프 .....	Canalización.....		
7	SA 1174-53810	1	1			Pipe.....	Canalisation .....	Rohrleitung .....	파이프 .....	Canalización.....		
8	SA 1174-53820	1	1			Pipe.....	Canalisation .....	Rohrleitung .....	파이프 .....	Canalización.....		
9	SA 1174-53830	1	1			Pipe.....	Canalisation .....	Rohrleitung .....	파이프 .....	Canalización.....		
10	SA 9011-21613	6	6			Bolt.....	Boulon.....	Bolzen.....	볼트 .....	Perno.....		
11	SA 9211-10000	2	2			Washer.....	Rondelle.....	Scheibe.....	와셔 .....	Arandela.....		
12	SA 9372-12860	3	3			Clamp.....	Pince Serrage .....	Klemme .....	클램프 .....	Abrazadera.....		
13	VOE 983255	4	4			Screw.....	Vis.....	Schraube.....	스크류 .....	Tornillo.....		
14	SA 9372-22860	3	3			Clamp.....	Pince Serrage .....	Klemme .....	클램프 .....	Abrazadera.....		
15	SA 9372-32850	1	1			Clamp.....	Pince Serrage .....	Klemme .....	클램프 .....	Abrazadera.....		
16	SA 9372-42835	4	4			Clamp.....	Pince Serrage .....	Klemme .....	클램프 .....	Abrazadera.....		
17	SA 9401-05629	3	3			Hose.....	Durit .....	Schlauch .....	호스 .....	Tubo flexible.....		
18	SA 9401-06629	1	1			Hose.....	Durit .....	Schlauch .....	호스 .....	Tubo flexible.....		
19	SA 9406-05623	3	3			Hose.....	Durit .....	Schlauch .....	호스 .....	Tubo flexible.....		
20	SA 9406-06623	1	1			Hose.....	Durit .....	Schlauch .....	호스 .....	Tubo flexible.....		
21	SA 9425-51021	6	6			Flange.....	Flasque .....	Flansch .....	플랜지 .....	Brida.....		
22	SA 9425-51031	2	2			Flange.....	Flasque .....	Flansch .....	플랜지 .....	Brida.....		
23	VOE 947167	16	16			Screw.....	Vis.....	Schraube.....	스크류 .....	Tornillo.....		
24	SA 9512-02018	8	8			O-ring.....	Joint Torique .....	O-ring .....	오링 .....	Junta torica.....		
25	SA 9512-02021	2	2			O-ring.....	Joint Torique .....	O-ring .....	오링 .....	Junta torica.....		
26	SA 9512-02214	3	3			O-ring.....	Joint Torique .....	O-ring .....	오링 .....	Junta torica.....		
27	SA 9512-02219	2	2			O-ring.....	Joint Torique .....	O-ring .....	오링 .....	Junta torica.....		
28	VOE 955922	22	26			Spring Washer .....	Rondelle ressort.....	Federscheibe.....	스프링 와셔 .....	Arandela resorte.....		
29	VOE 955926	10	10			Spring Washer .....	Rondelle ressort.....	Federscheibe.....	스프링 와셔 .....	Arandela resorte.....		
30	VOE 983253	2	2			Screw.....	Vis.....	Schraube.....	스크류 .....	Tornillo.....		

1	8277880	<b>Hidráulica de trabajo, cilindro de brazo en la pluma ajustable</b> 유압 배관 , 조절 붐측 디퍼 암 실린더 <b>Arbeitshydraulik, Stielzylinder auf Verstellausleger</b> <b>Hydraulique de travail, cylindre de bras sur réglable flèche</b> <b>Working hydraulic, dipper arm cylinder on adjustable boom</b>	Catalogue id	Group
2	8278101		<b>56141</b>	<b>916</b>
3			Illustr. No	Section
4			<b>TA238</b>	<b>500</b>
5			Issue	Page
			<b>VOE 7414356141</b>	<b>497</b>

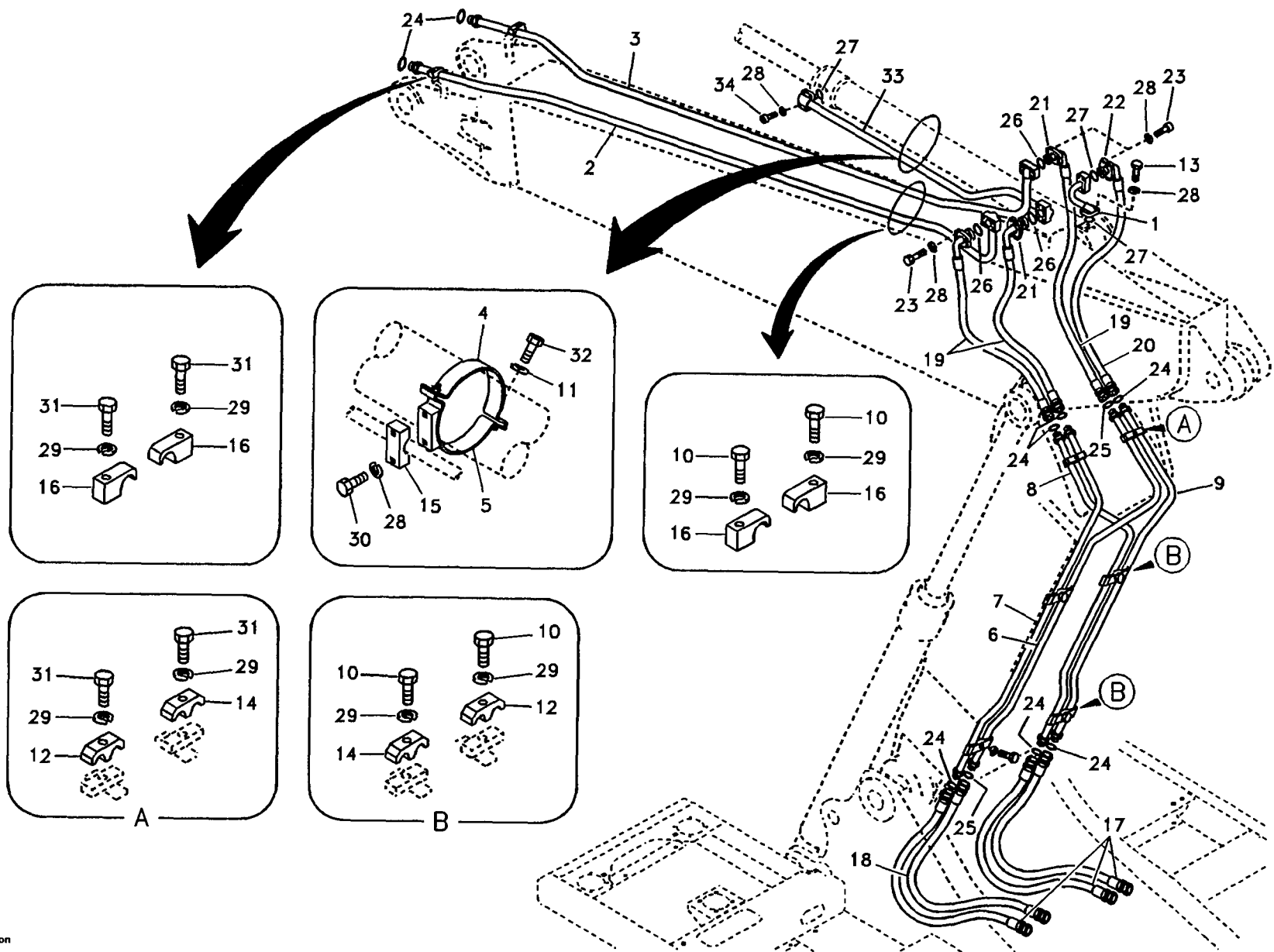


Fig.	Part No.	Quantity			P S	K I T	Description	Dénomination	Bezeichnung	품명	Denominación	Notes
		1	2	3								
31	VOE 978940	4	4			Screw .....	Vis .....	Schraube .....	스크류 .....	Tornillo.....		
32	VOE 983252	2	2			Screw .....	Vis .....	Schraube .....	스크류 .....	Tornillo.....		
33	VOE 14513800		1			Pipe.....	Canalisation .....	Rohrleitung .....	파이프 .....	Canalizacion.....		
34	VOE 967636		4			Screw .....	Vis .....	Schraube .....	스크류 .....	Tornillo.....		

1	8277880	<b>Hidráulica de trabajo, cilindro de brazo en la pluma ajustable</b> 유압 배관 , 조절 붐측 디퍼 암 실린더 <b>Arbeitshydraulik, Stielzylinder auf Verstellausleger</b> <b>Hydraulique de travail, cylindre de bras sur réglable flèche</b> <b>Working hydraulic, dipper arm cylinder on adjustable boom</b>	Catalogue id	Group
2	8278101		<b>56141</b>	<b>916</b>
3			Illustr. No	Section
4			<b>TA238</b>	<b>500</b>
5			Issue	Page
			<b>VOE 7414356141</b>	<b>499</b>

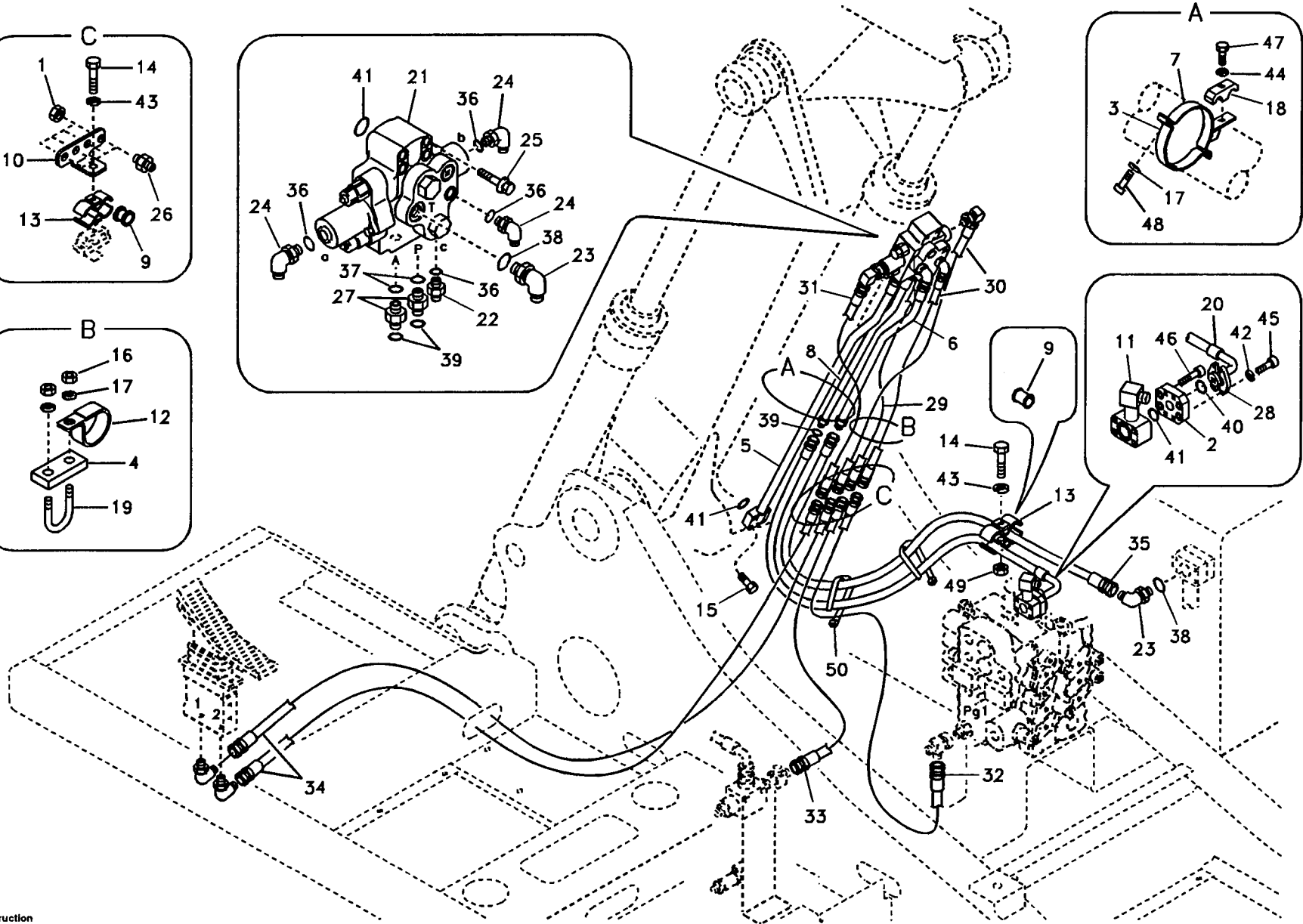
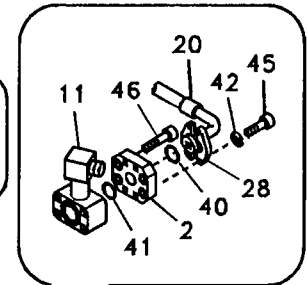
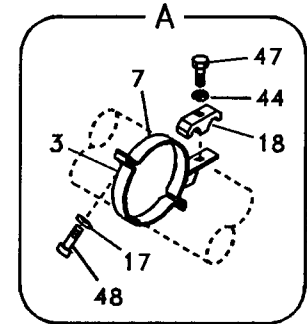
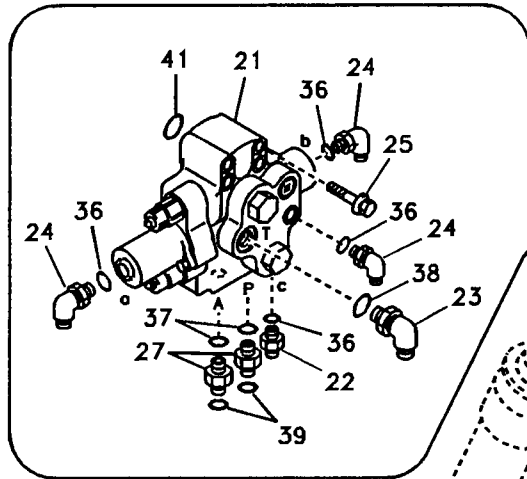
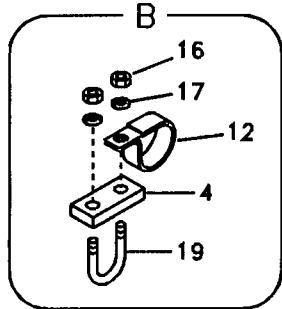
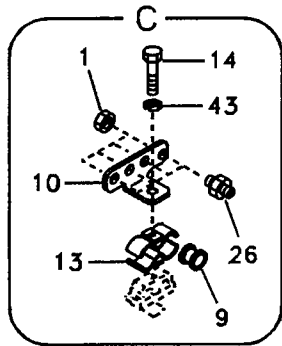


Fig.	Part No.	Quantity			P S	K I T	Description	Dénomination	Bezeichnung	품명	Denominación	Notes
		1	2	3								
1	SA 1040-80490	4	4			Nut .....	Ecrou.....	Mutter .....	너트 .....	Tuerca.....		
2	SA 1142-08100	1	1			Block .....	Bloc.....	Block .....	블록 .....	Bloque.....		
3	SA 1174-50690	1	1			Clamp.....	Pince Serrage .....	Klemme.....	클램프 .....	Abrazadera.....		
4	SA 1174-51182	1	1			Plate.....	Plaque.....	Platte .....	플레이트 .....	Placa.....		
5	SA 1174-53840	1	1			Pipe.....	Canalisation .....	Rohrleitung .....	파이프 .....	Canalización.....		
6	VOE 14512062	1	1			Pipe.....	Canalisation .....	Rohrleitung .....	파이프 .....	Canalización.....		
7	SA 1174-53880	1	1			Plate.....	Plaque.....	Platte .....	플레이트 .....	Placa.....		
8	VOE 14512061	1	1			Pipe.....	Canalisation .....	Rohrleitung .....	파이프 .....	Canalización.....		
9	SA 1174-56860	4	4			Grommet.....	Passe fil .....	Durchführung.....	그로메트 .....	Aislador pasapanel....		
10	VOE 14500880	1	1			Plate.....	Plaque.....	Platte .....	플레이트 .....	Placa.....		
11	VOE 14512060	1	1			Pipe.....	Canalisation .....	Rohrleitung .....	파이프 .....	Canalización.....		
12	VOE 14515525	1	1			Clip.....	Clip.....	Klemme.....	클립 .....	Clip.....		
13	SA 3032-00370	4	4			Clamp.....	Pince Serrage .....	Klemme.....	클램프 .....	Abrazadera.....		
14	SA 9011-21216	2	2			Bolt.....	Boulon.....	Bolzen.....	볼트 .....	Perno.....		
15	SA 9016-21211	4	4			Bolt.....	Boulon.....	Bolzen.....	볼트 .....	Perno.....		
16	SA 9111-31000	2	2			Nut .....	Ecrou.....	Mutter .....	너트 .....	Tuerca.....		
17	SA 9211-10000	4	4			Washer.....	Rondelle.....	Scheibe .....	와셔 .....	Arandela.....		
18	SA 9372-12860	1	1			Clamp.....	Pince Serrage .....	Klemme.....	클램프 .....	Abrazadera.....		
19	SA 9391-10272	1	1			U-bolt .....	Etrier Ressort .....	Federbride .....	유 볼트 .....	Abrazadera-u.....		
20	SA 9406-05647	1	1			Hose.....	Durit .....	Schlauch .....	호스 .....	Tubo flexible.....		
21	SA 1174-53720	1	1			Valve .....	Soupape.....	Ventil .....	밸브 .....	Valvula.....	See group 916, Page 555	
22	SA 9412-11020	1	1			Connector .....	Raccord.....	Anschluss .....	커넥터 .....	Union.....		
23	SA 9413-11230	2	2			Elbow .....	Coude .....	Winkelstueck .....	엘보 .....	Coda.....		
24	SA 9413-11010	3	3			Elbow .....	Coude .....	Winkelstueck .....	엘보 .....	Coda.....		
25	SA 9016-21217	4	4			Bolt.....	Boulon.....	Bolzen.....	볼트 .....	Perno.....		
26	SA 9416-11091	4	4			Connector .....	Raccord.....	Anschluss .....	커넥터 .....	Union.....		
27	SA 9419-11040	2	2			Connector .....	Raccord.....	Anschluss .....	커넥터 .....	Union.....		
28	SA 9425-51021	2	2			Flange .....	Flasque .....	Flansch .....	플랜지 .....	Brida.....		
29	SA 9451-02232	1	1			Hose.....	Durit .....	Schlauch .....	호스 .....	Tubo flexible.....		
30	SA 9451-02234	2	2			Hose.....	Durit .....	Schlauch .....	호스 .....	Tubo flexible.....		

1	8277880	<b>Hidráulica de trabajo, segundo cilindro de pluma en la pluma ajustable</b> 유압 배관 , 조절 붐축 2 단 붐 실린더 <b>Arbeitshydraulik, zweite Auslegerzylinder auf Verstellausleger</b> <b>Hydraulique de travail, deuxième cylindre de flèche sur réglable flèche</b> <b>Working hydraulic, 2nd boom cylinder on adjustable boom</b>	Catalogue id	Group
2	8278101		<b>56141</b>	<b>916</b>
3			Illustr. No	Section
4			<b>TA239</b>	<b>600</b>
5			Issue	Page
		<b>VOE 7414356141</b>	<b>501</b>	

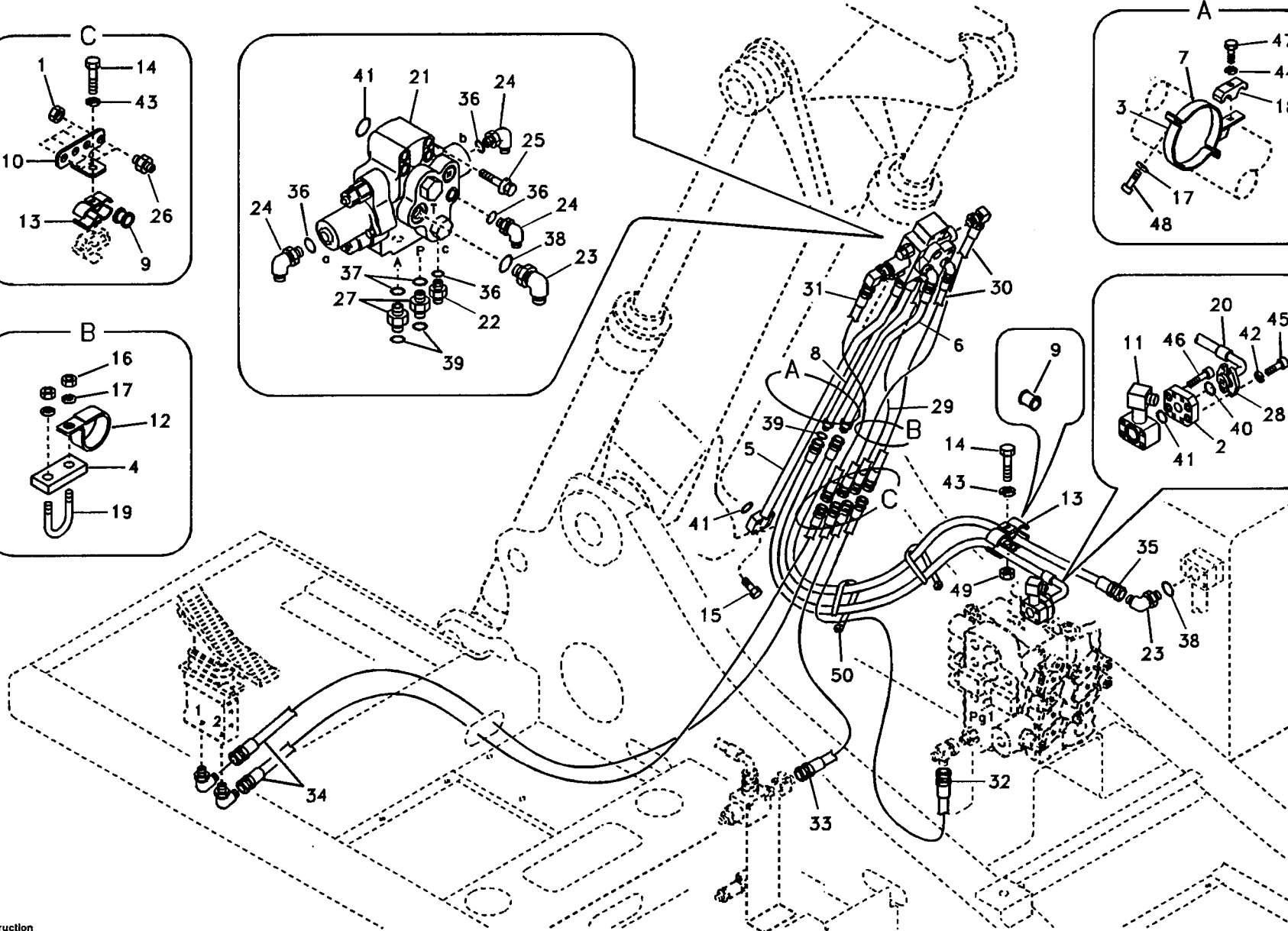
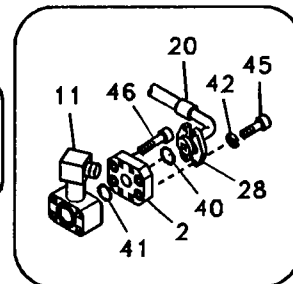
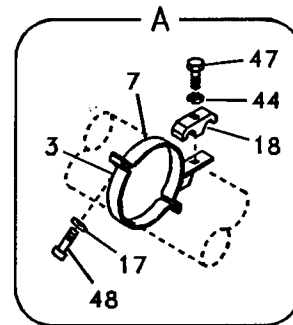
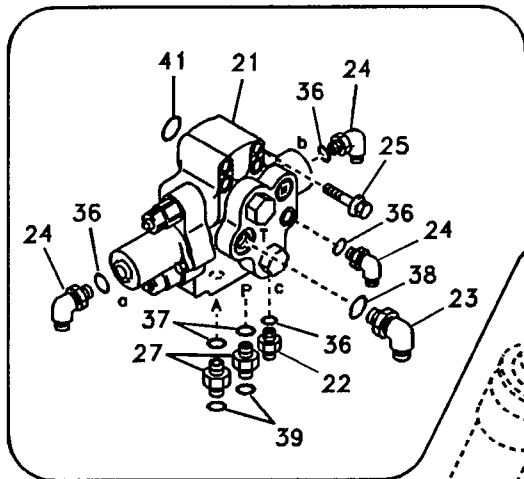
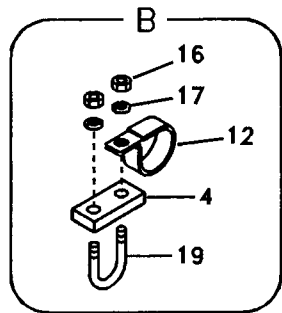
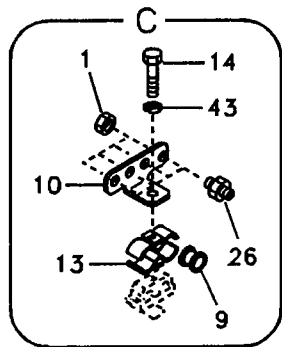


Fig.	Part No.	Quantity			P S	K I T	Description	Dénomination	Bezeichnung	품명	Denominación	Notes
		1	2	3								
31	SA 9451-02236	1	1			Hose.....	Durit .....	Schlauch .....	호스 .....	Tubo flexible.....		
32	SA 9451-02240	1	1			Hose.....	Durit .....	Schlauch .....	호스 .....	Tubo flexible.....		
33	SA 9451-02251	1	1			Hose.....	Durit .....	Schlauch .....	호스 .....	Tubo flexible.....		
34	SA 9451-02268	2	2			Hose.....	Durit .....	Schlauch .....	호스 .....	Tubo flexible.....		
35	SA 9451-05252	1	1			Hose.....	Durit .....	Schlauch .....	호스 .....	Tubo flexible.....		
36	SA 9511-12011	4	4			O-ring.....	Joint Torique .....	O-ring .....	오링 .....	Junta torica.....		
37	SA 9511-12024	2	2			O-ring.....	Joint Torique .....	O-ring .....	오링 .....	Junta torica.....		
38	SA 9511-12029	2	2			O-ring.....	Joint Torique .....	O-ring .....	오링 .....	Junta torica.....		
39	SA 9512-02018	3	3			O-ring.....	Joint Torique .....	O-ring .....	오링 .....	Junta torica.....		
40	SA 9512-02214	1	1			O-ring.....	Joint Torique .....	O-ring .....	오링 .....	Junta torica.....		
41	SA 9512-02219	3	3			O-ring.....	Joint Torique .....	O-ring .....	오링 .....	Junta torica.....		
42	VOE 955922	4	4			Spring Washer .....	Rondelle ressort.....	Federscheibe.....	스프링 와셔 .....	Arandela resorte.....		
43	VOE 955923	2	2			Washer.....	Rondelle.....	Scheibe .....	와셔 .....	Arandela.....		
44	VOE 955926	1	1			Spring Washer .....	Rondelle ressort.....	Federscheibe.....	스프링 와셔 .....	Arandela resorte.....		
45	VOE 967635	4	4			Allen Hd Screw .....	Vis A 6 Pans Cr.....	Inbusschraube .....	스크류 .....	Torn Hex Embut.....		
46	VOE 967639	4	4			Screw .....	Vis .....	Schraube .....	스크류 .....	Tornillo.....		
47	SA 9011-21613	1	1			Bolt.....	Boulon.....	Bolzen.....	볼트 .....	Perno.....		
48	VOE 983252	2	2			Screw .....	Vis .....	Schraube .....	스크류 .....	Tornillo.....		
49	VOE 979019	1	1			Nut .....	Ecrou.....	Mutter .....	너트 .....	Tuerca.....		
50	SA 9314-02300	10	10			Strip Clamp .....	Ruban Serrage.....	Bandklammer .....	스트립 클램프 .....	Abraz Cinta.....		

1	8277880	<b>Hidráulica de trabajo, segundo cilindro de pluma en la pluma ajustable</b> 유압 배관 , 조절 붐측 2 단 붐 실린더 <b>Arbeitshydraulik, zweite Auslegerzylinder auf Verstellausleger</b> <b>Hydraulique de travail, deuxième cylindre de flèche sur réglable flèche</b> <b>Working hydraulic, 2nd boom cylinder on adjustable boom</b>	Catalogue id <b>56141</b>	Group <b>916</b>
2	8278101		Illustr. No <b>TA239</b>	Section <b>600</b>
3				Issue <b>VOE 7414356141</b>
4				
5				



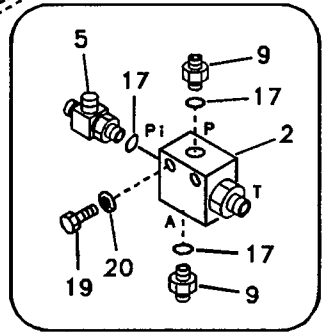
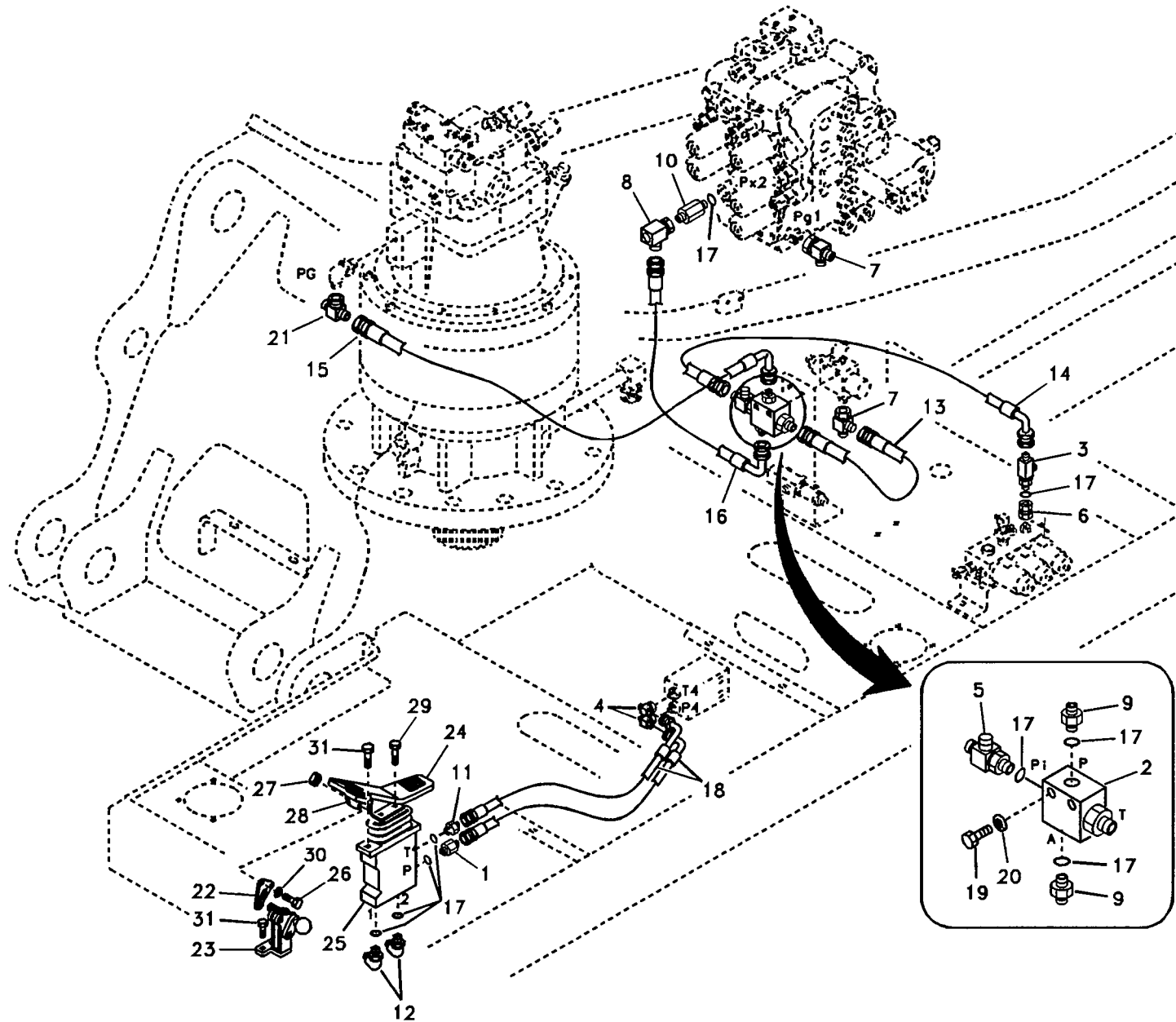


Fig.	Part No.	Quantity			P S	K I T	Description	Dénomination	Bezeichnung	품명	Denominación	Notes
		1	2	3								
1	SA 1048-10530	1	1			Connector .....	Raccord.....	Anschluss .....	커넥터 .....	Union.....		
2	SA 1148-02150	1	1			Valve .....	Soupape.....	Ventil .....	밸브 .....	Valvula.....		
3	VOE 14507108	1	1			Tee.....	Connexion en T.....	T-stuck .....	티 .....	Acoplamiento T.....		
4	SA 9411-92190	2	2			Tee.....	Connexion en T.....	T-stuck .....	티 .....	Acoplamiento T.....		
5	SA 9411-92350	1	1			Tee.....	Connexion en T.....	T-stuck .....	티 .....	Acoplamiento T.....		
6	SA 9411-94680	1	1			Adapter .....	Raccord Reduct. ....	Verbind Stutzen .....	어댑터 .....	Adaptador.....		
7	SA 9411-95440	2	2			Tee.....	Connexion en T.....	T-stuck .....	티 .....	Acoplamiento T.....		
8	SA 9411-96110	1	1			Tee.....	Connexion en T.....	T-stuck .....	티 .....	Acoplamiento T.....		
9	SA 9412-11020	2	2			Connector .....	Raccord.....	Anschluss .....	커넥터 .....	Union.....		
10	SA 9412-11090	1	1			Connector .....	Raccord.....	Anschluss .....	커넥터 .....	Union.....		
11	SA 9412-11120	1	1			Connector .....	Raccord.....	Anschluss .....	커넥터 .....	Union.....		
12	SA 9413-11010	2	2			Elbow .....	Coude .....	Winkelstueck .....	엘보 .....	Codo.....		
13	SA 9451-02206	1	1			Hose.....	Durit .....	Schlauch .....	호스 .....	Tubo flexible.....		
14	SA 9453-02222	1	1			Hose.....	Durit .....	Schlauch .....	호스 .....	Tubo flexible.....		
15	SA 9453-02232	1	1			Hose.....	Durit .....	Schlauch .....	호스 .....	Tubo flexible.....		
16	SA 9453-02226	1	1			Hose.....	Durit .....	Schlauch .....	호스 .....	Tubo flexible.....		
17	SA 9511-12011	9	9			O-ring .....	Joint Torique .....	O-ring .....	오링 .....	Junta torica.....		
18	SA 9452-03221	2	2			Hose.....	Durit .....	Schlauch .....	호스 .....	Tubo flexible.....		
19	VOE 983246	2	2			Screw .....	Vis .....	Schraube .....	스크류 .....	Tornillo.....		
20	VOE 955921	2	2			Spring Washer .....	Rondelle ressort.....	Federscheibe.....	스프링 와셔 .....	Arandela resorte.....		
21	SA 9411-92180	1	1			Tee.....	Connexion en T.....	T-stuck .....	티 .....	Acoplamiento T.....		
22	SA 1148-02030	1	1			Plate.....	Plaque.....	Platte .....	플레이트 .....	Placa.....		
23	VOE 14515941	1	1			Stopper .....			스토퍼 .....			
24	VOE 14508246	1	1			Cover .....	Capot .....	Haube .....	커버 .....	Capo.....		
25	VOE 14511630	1	1			Valve .....	Soupape.....	Ventil .....	밸브 .....	Valvula.....	See group 916, Page 551	
26	VOE 946329	2	2			Flange Screw .....	Vis A Bride .....	Flanschschraube .....	플랜지 스크류 .....	Torn Embridado.....		
27	VOE 983304	2	2			Nut .....	Ecrou.....	Mutter .....	너트 .....	Tuerca.....		
28	VOE 14508104	1	1			Pedal.....	Pedale.....	Pedal .....	페달 .....	Pedal.....		
29	SA 9016-11003	2	2			Bolt.....	Boulon.....	Bolzen.....	볼트 .....	Perno.....		
30	VOE 955922	2	2			Spring Washer .....	Rondelle ressort.....	Federscheibe.....	스프링 와셔 .....	Arandela resorte.....		

1	8277880	<b>Hidráulica de trabajo, pluma ajustable para superior</b> 유압 배관 , 조절 붐 상부 <b>Arbeitshydraulik, stellbarer Ausleger für oberen</b> <b>Hydraulique de travail, flèche réglable supérieurs</b> <b>Working hydraulic, adjustable boom for upper</b>	Catalogue id	Group
2	8278101		<b>56141</b>	<b>916</b>
3			Illustr. No	Section
4			<b>TA240</b>	<b>700</b>
5			Issue	Page
		<b>VOE 7414356141</b>	<b>505</b>	

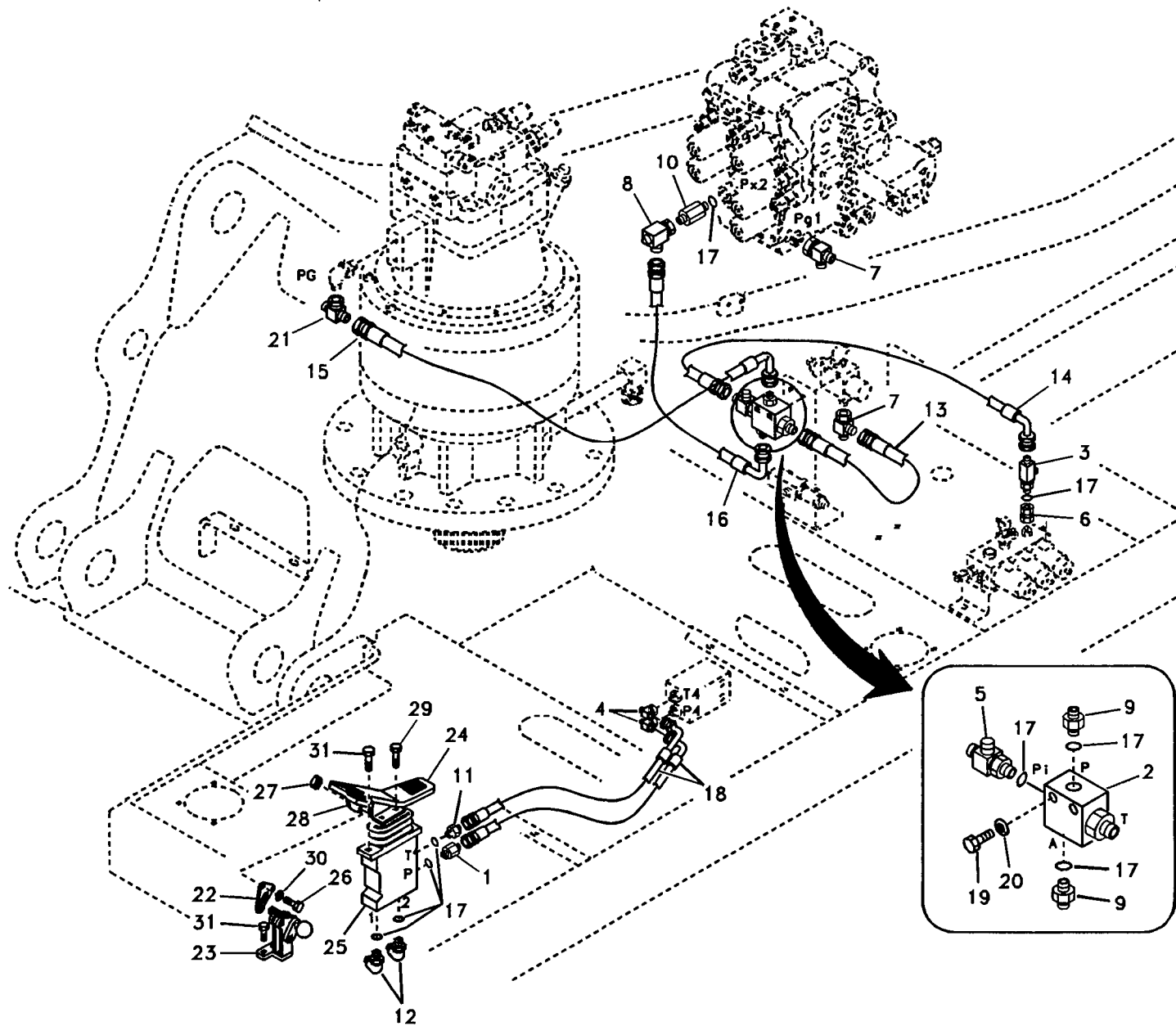


Fig.	Part No.	Quantity			P S	K I T	Description	Dénomination	Bezeichnung	품명	Denominación	Notes
		1	2	3								
31	VOE 946472	4	4			Flange Screw .....	Vis A Bride .....	Flanschschraube .....	플랜지 스크류 .....	Torn Embridado.....		

1	8277880	<b>Hidráulica de trabajo, pluma ajustable para superior</b> 유압 배관 , 조절 붐 상부 <b>Arbeitshydraulik, stellbarer Ausleger für oberen</b> <b>Hydraulique de travail, flèche réglable supérieurs</b> <b>Working hydraulic, adjustable boom for upper</b>	Catalogue id	Group
2	8278101		<b>56141</b>	<b>916</b>
3			Illustr. No	Section
4			<b>TA240</b>	<b>700</b>
5			Issue	Page
		<b>VOE 7414356141</b>	<b>507</b>	

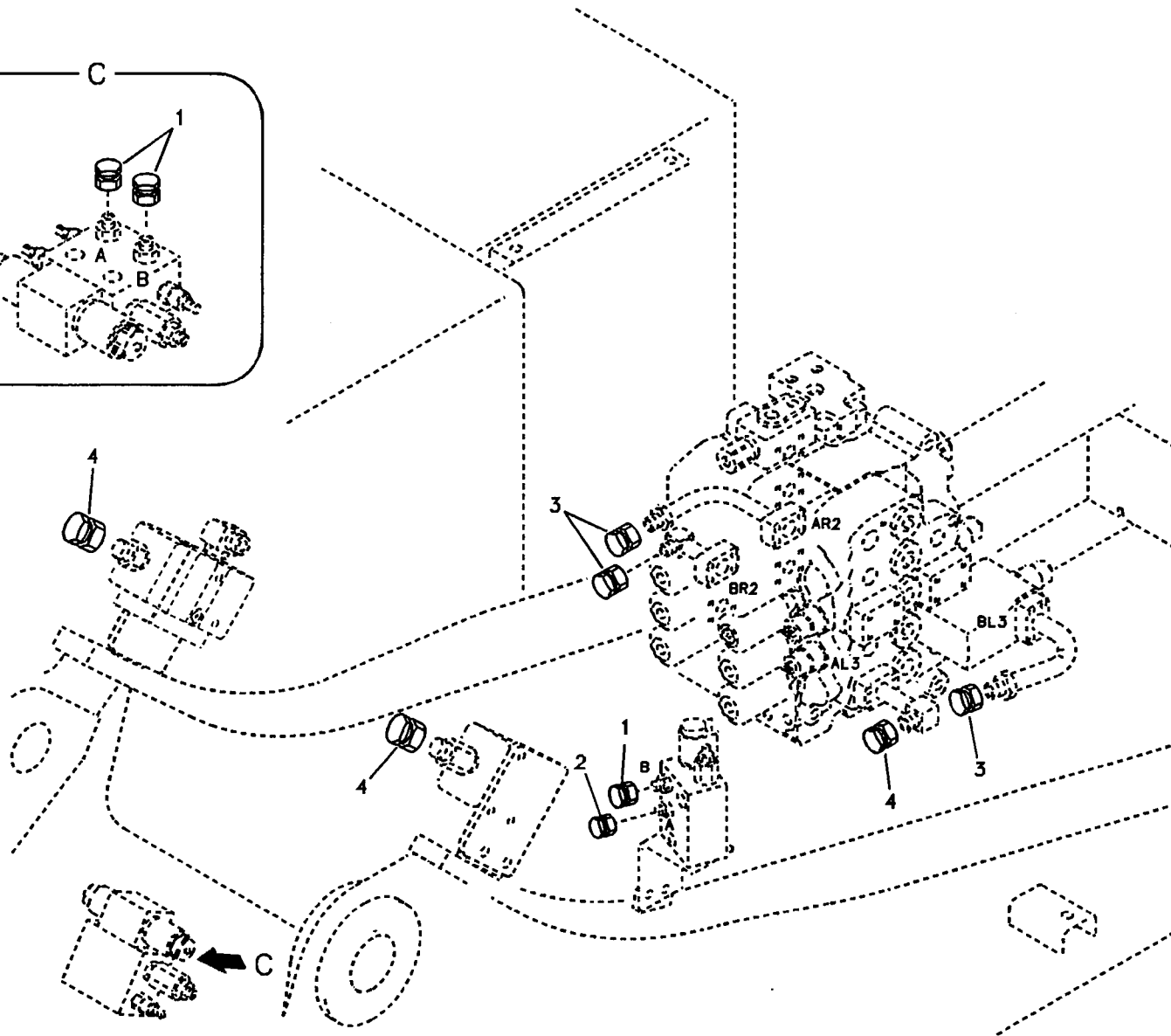
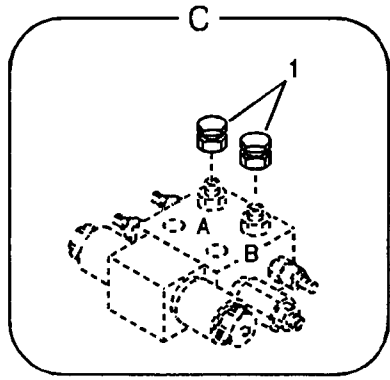


Fig.	Part No.	Quantity			P S	K I T	Description	Dénomination	Bezeichnung	품명	Denominación	Notes
		1	2	3								
1	SA 9411-90410	3				Plug.....	Bouchon.....	Stopfen .....	플러그 .....	Tapon.....		
2	SA 9411-93390	1				Plug.....	Bouchon.....	Stopfen .....	플러그 .....	Tapon.....		
3	SA 9415-35021	3				Plug.....	Bouchon.....	Stopfen .....	플러그 .....	Tapon.....		
4	SA 9415-35031	3				Plug.....	Bouchon.....	Stopfen .....	플러그 .....	Tapon.....		

1	8277824	<b>Hidráulica de trabajo, tapón para sin pluma</b> 유압 배관 , 붐 미장착시 유압 플러그 <b>Arbeitshydraulik, Zapfen für ohne Ausleger</b> <b>Hydraulique de travail, bouchon pour sans flèche</b> <b>Working hydraulic, hydraulic plugs for no boom</b>	Catalogue id	Group
2			<b>56141</b>	<b>916</b>
3			Illustr. No	Section
4			<b>TA241</b>	<b>800</b>
5			Issue	Page
			<b>VOE 7414356141</b>	<b>509</b>

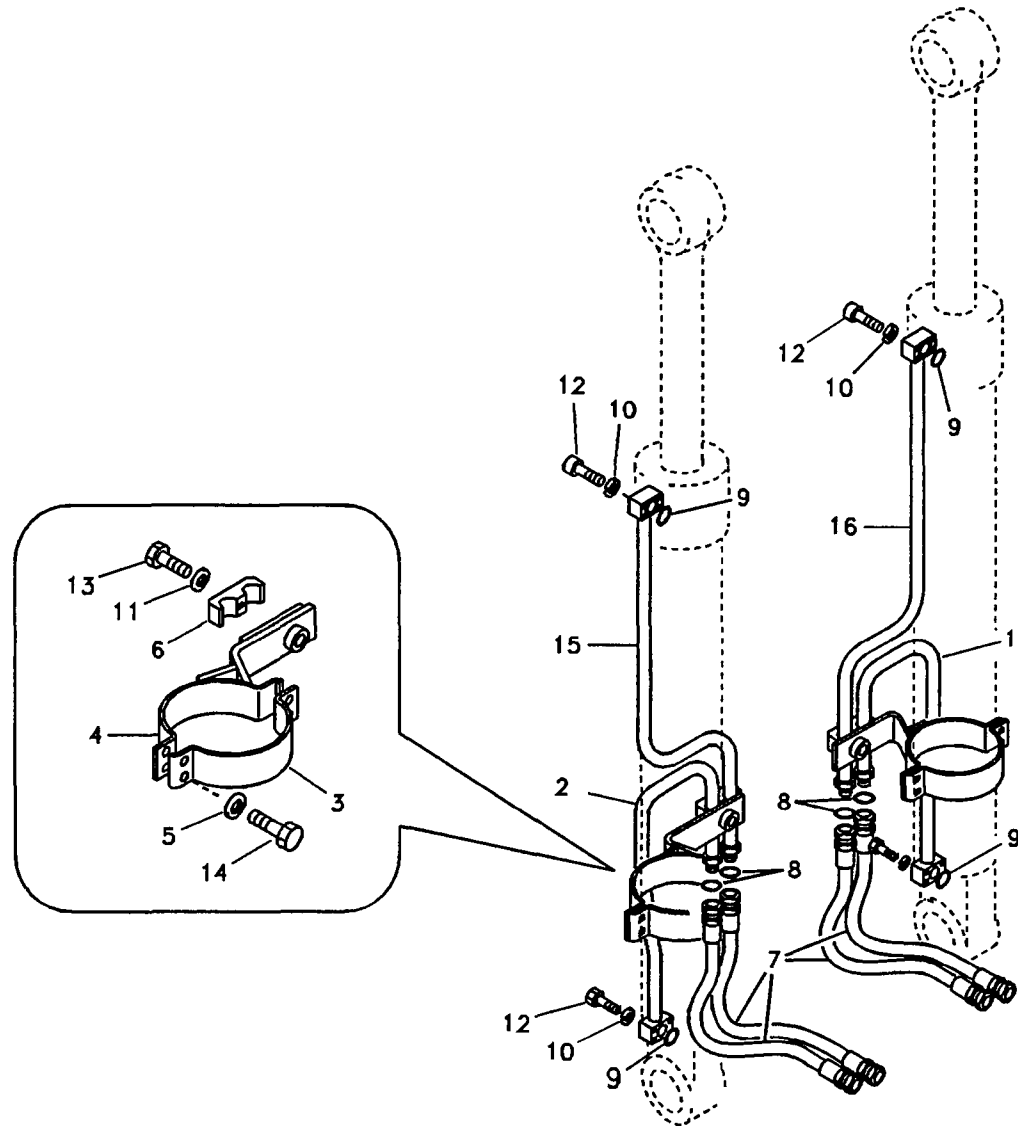
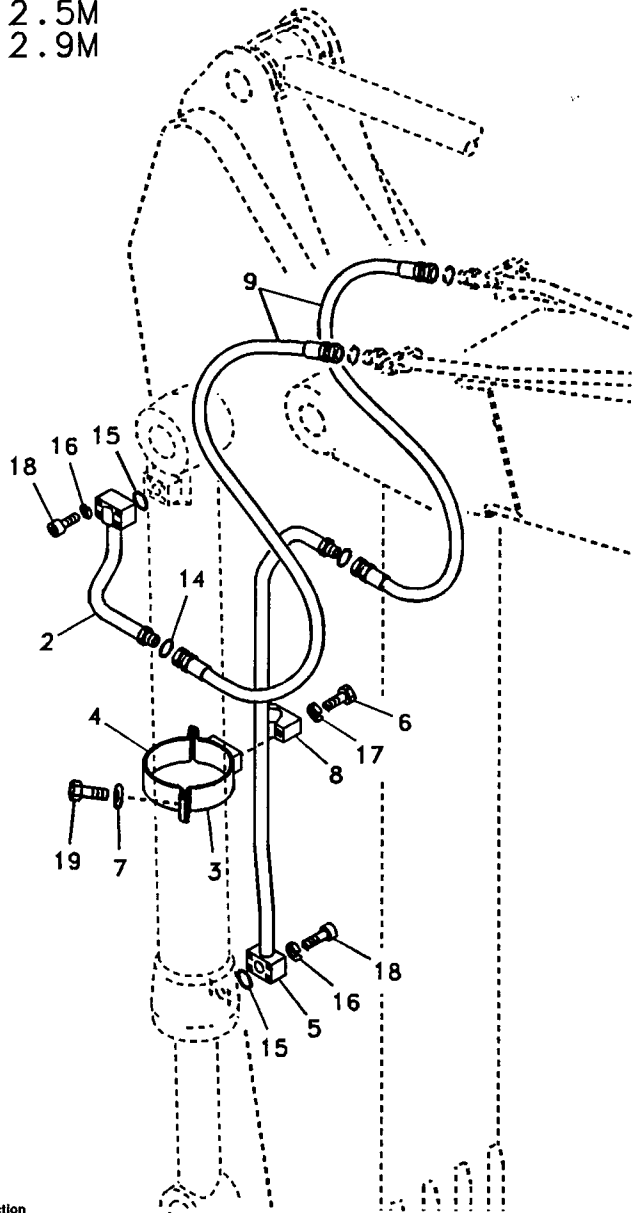


Fig.	Part No.	Quantity			P S	K I T	Description	Dénomination	Bezeichnung	품명	Denominación	Notes
		1	2	3								
1	VOE 14505728		1			Pipe.....	Canalisation .....	Rohrleitung .....	파이프 .....	Canalización.....		
2	VOE 14505727		1			Pipe.....	Canalisation .....	Rohrleitung .....	파이프 .....	Canalización.....		
3	VOE 14503346	2				Clamp.....	Pince Serrage .....	Klemme .....	클램프 .....	Abrazadera.....		
4	VOE 14505764	2				Clamp.....	Pince Serrage .....	Klemme .....	클램프 .....	Abrazadera.....		
5	SA 9211-10000	8				Washer.....	Rondelle.....	Scheibe .....	와셔 .....	Arandela.....		
6	SA 9372-52870	2				Clamp.....	Pince Serrage .....	Klemme .....	클램프 .....	Abrazadera.....		
7	SA 9401-15621	4				Hose.....	Durit .....	Schlauch .....	호스 .....	Tubo flexible.....		
8	SA 9512-02018	2	2			O-ring.....	Joint Torique .....	O-ring .....	오링 .....	Junta torica.....		
9	SA 9512-02214	2	2			O-ring.....	Joint Torique .....	O-ring .....	오링 .....	Junta torica.....		
10	VOE 955922	8	8			Spring Washer .....	Rondelle ressort.....	Federscheibe.....	스프링 와셔 .....	Arandela resorte.....		
11	SA 9211-14000	2				Washer.....	Rondelle.....	Scheibe .....	와셔 .....	Arandela.....		
12	VOE 967636	8	8			Screw.....	Vis .....	Schraube .....	스크류 .....	Tornillo.....		
13	SA 9011-21414	2				Bolt.....	Boulon.....	Bolzen.....	볼트 .....	Perno.....		
14	VOE 983252	8				Screw.....	Vis .....	Schraube .....	스크류 .....	Tornillo.....		
15	SA 1174-00032	1				Pipe.....	Canalisation .....	Rohrleitung .....	파이프 .....	Canalización.....		
16	SA 1174-00042	1				Pipe.....	Canalisation .....	Rohrleitung .....	파이프 .....	Canalización.....		

1	8277784	<b>Hidráulica de trabajo, cilindro de pluma</b> 유압 배관 , 붐 실린더 <b>Arbeitshydraulik, Auslegerzylinder</b> <b>Hydraulique de travail, cylindre de flèche</b> <b>Working hydraulic, boom cylinder</b>	Catalogue id	Group
2	8277876		<b>56141</b>	<b>916</b>
3			Illustr. No	Section
4			<b>TA242</b>	<b>900</b>
5			Issue	Page
			<b>VOE 7414356141</b>	<b>511</b>



2.5M  
2.9M



3.9M

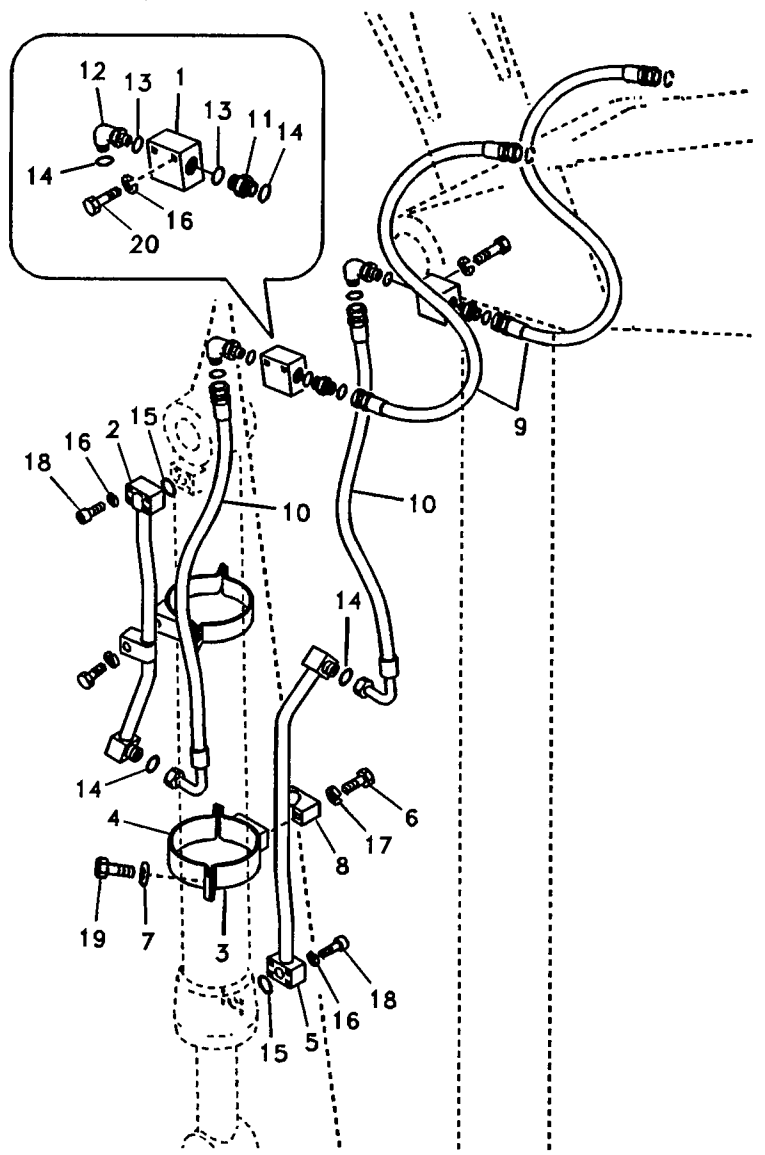


Fig.	Part No.	Quantity			P S	K T	Description	Dénomination	Bezeichnung	품명	Denominación	Notes
		1	2	3								
1	VOE 14509899			2		Block .....	Bloc .....	Block .....	블록 .....	Bloque.....		
2	VOE 14511747	1		1		Pipe.....	Canalisation .....	Rohrleitung .....	파이프 .....	Canalización.....		
	SA 1174-00132		1			Pipe.....	Canalisation .....	Rohrleitung .....	파이프 .....	Canalización.....		
3	VOE 14507748	2	1	2		Clamp.....	Pince Serrage .....	Klemme.....	클램프 .....	Abrazadera.....		
4	VOE 14505765	2	1	2		Clamp.....	Pince Serrage .....	Klemme.....	클램프 .....	Abrazadera.....		
5	VOE 14511748	1		1		Pipe.....	Canalisation .....	Rohrleitung .....	파이프 .....	Canalización.....		
	VOE 14505767		1			Pipe.....	Canalisation .....	Rohrleitung .....	파이프 .....	Canalización.....		
6	VOE 1629544	2	1	2		Screw .....	Vis .....	Schraube .....	스크류 .....	Tornillo.....		
7	SA 9211-10000	4	2	4		Washer.....	Rondelle.....	Scheibe .....	와셔 .....	Arandela.....		
8	SA 9372-42835	2	1	2		Clamp.....	Pince Serrage .....	Klemme.....	클램프 .....	Abrazadera.....		
9	SA 9401-15630	2	2	2		Hose.....	Durit .....	Schlauch .....	호스 .....	Tubo flexible.....		
10	SA 9403-15626			2		Hose.....	Durit .....	Schlauch .....	호스 .....	Tubo flexible.....		
11	SA 9419-11040			2		Connector .....	Raccord.....	Anschluss .....	커넥터 .....	Union.....		
12	SA 9419-21030			2		Elbow .....	Coude .....	Winkelstueck .....	엘보 .....	Codo.....		
13	SA 9511-12024			4		O-ring .....	Joint Torique .....	O-ring .....	오링 .....	Junta torica.....		
14	SA 9512-02018	2	2	6		O-ring .....	Joint Torique .....	O-ring .....	오링 .....	Junta torica.....		
15	SA 9512-02214	2	2	2		O-ring .....	Joint Torique .....	O-ring .....	오링 .....	Junta torica.....		
16	VOE 955922	8	8	12		Spring Washer .....	Rondelle ressort.....	Federscheibe.....	스프링 와셔 .....	Arandela resorte.....		
17	VOE 955926	2	1	2		Spring Washer .....	Rondelle ressort.....	Federscheibe.....	스프링 와셔 .....	Arandela resorte.....		
18	VOE 967636	8	8	8		Screw .....	Vis .....	Schraube .....	스크류 .....	Tornillo.....		
19	VOE 983252	4	2	4		Screw .....	Vis .....	Schraube .....	스크류 .....	Tornillo.....		
20	VOE 983256			4		Screw .....	Vis .....	Schraube .....	스크류 .....	Tornillo.....		

1	8277852	<b>Hidráulica de trabajo, cilindro de chuchara en la bras</b> 유압 배관 , 디퍼 암측 버킷 실린더 <b>Arbeitshydraulik, Löffelzylinder auf Stiel</b> <b>Hydraulique de travail, verin de godet sur bras</b> <b>Working hydraulic, bucket cylinder on dipper arm</b>	Catalogue id	Group
2	8277853		<b>56141</b>	<b>916</b>
3	8277854		Illustr. No	Section
4			<b>TA243</b>	<b>1000</b>
5			Issue	Page
			<b>VOE 7414356141</b>	<b>513</b>

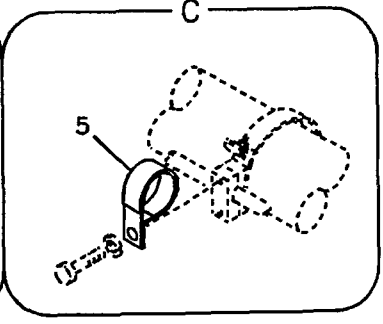
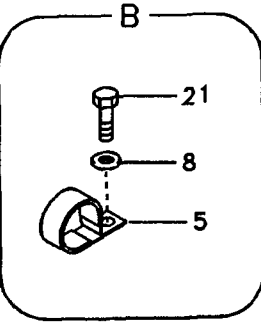
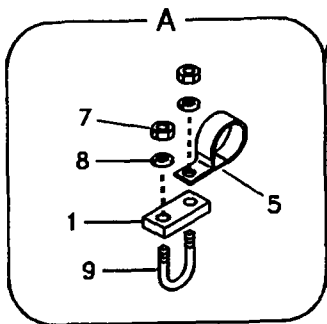
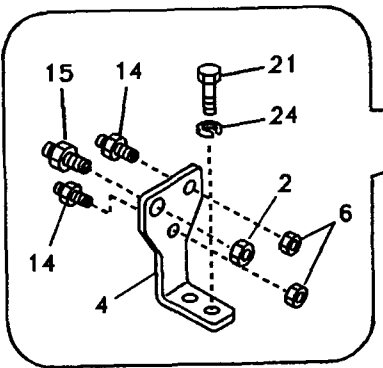
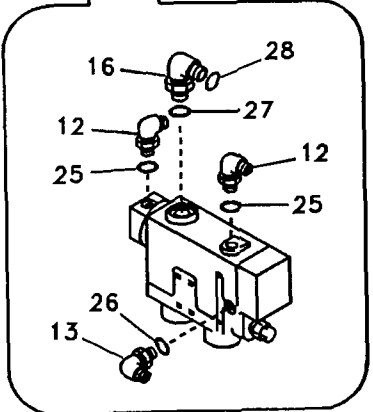
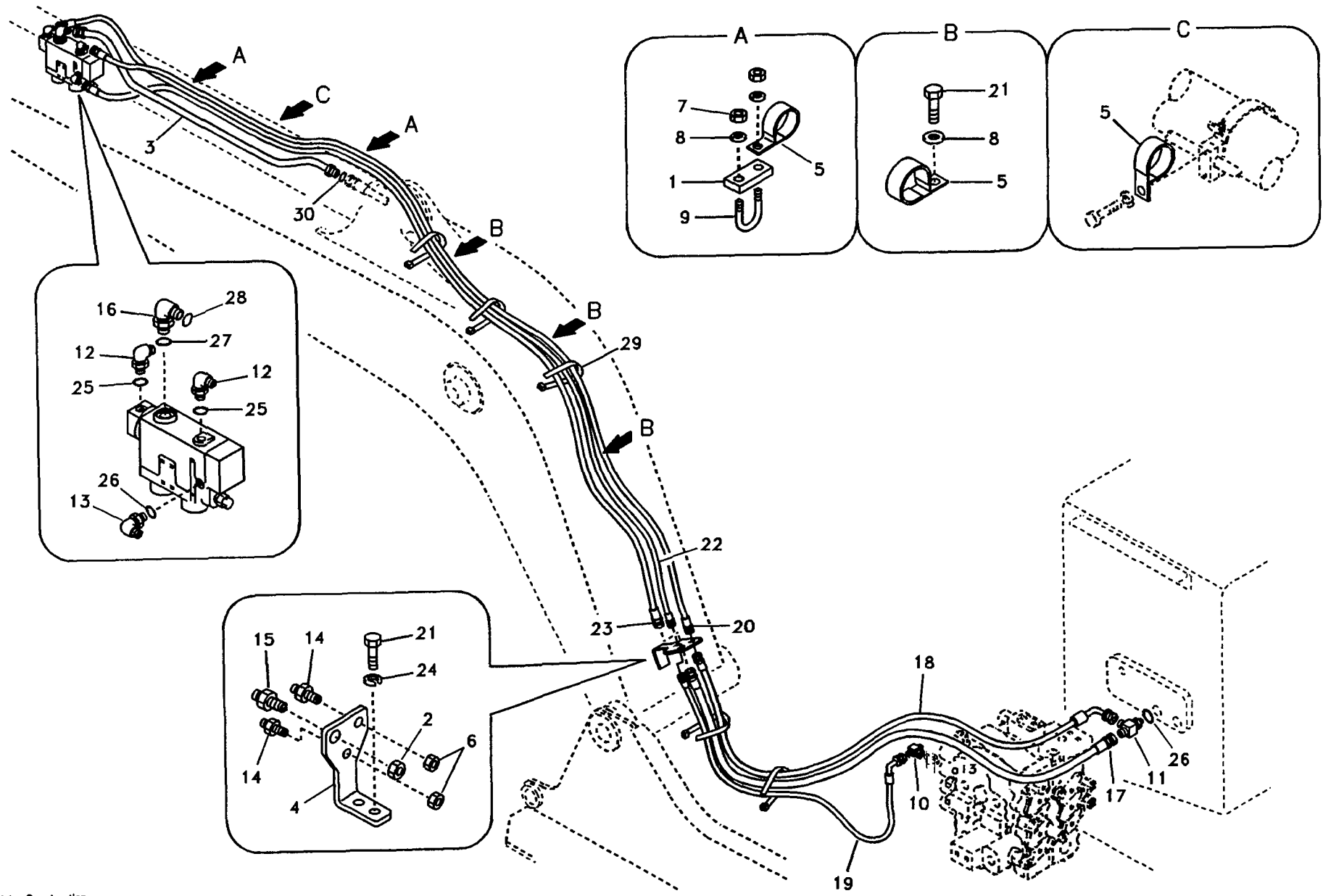


Fig.	Part No.	Quantity			P S	K I T	Description	Dénomination	Bezeichnung	품명	Denominación	Notes
		1	2	3								
1	SA 1174-51182	2				Plate.....	Plaque.....	Platte.....	플레이트.....	Placa.....		
2	SA 1174-53450	1				Nut.....	Ecrou.....	Mutter.....	너트.....	Tuerca.....		
3	VOE 14512522	1				Pipe.....	Canalisation.....	Rohrleitung.....	파이프.....	Canalización.....		
4	VOE 14509020	1				Bracket.....	Console.....	Konsole.....	브라켓.....	Ménsula.....		
5	VOE 14515523	6				Clip.....	Clip.....	Klemme.....	클립.....	Clip.....		
6	SA 2043-00120	2				Nut.....	Ecrou.....	Mutter.....	너트.....	Tuerca.....		
7	SA 9111-31000	4				Nut.....	Ecrou.....	Mutter.....	너트.....	Tuerca.....		
8	SA 9211-10000	7				Washer.....	Rondelle.....	Scheibe.....	와셔.....	Arandela.....		
9	SA 9391-10272	2				U-bolt.....	Etrier Ressort.....	Federbride.....	유 볼트.....	Abrazadera-u.....		
10	SA 9411-91310	1				Tee.....	Connexion en T.....	T-stuck.....	티.....	Acoplamiento T.....		
11	SA 9411-96100	1				Tee.....	Connexion en T.....	T-stuck.....	티.....	Acoplamiento T.....		
12	SA 9413-11020	2				Elbow.....	Coude.....	Winkelstueck.....	엘보.....	Coda.....		
13	SA 9413-11030	1				Elbow.....	Coude.....	Winkelstueck.....	엘보.....	Coda.....		
14	SA 9416-11101	2				Connector.....	Raccord.....	Anschluss.....	커넥터.....	Union.....		
15	SA 9416-11111	1				Connector.....	Raccord.....	Anschluss.....	커넥터.....	Union.....		
16	SA 9419-21050	1				Elbow.....	Coude.....	Winkelstueck.....	엘보.....	Coda.....		
17	SA 9451-04341	1				Hose.....	Durit.....	Schlauch.....	호스.....	Tubo flexible.....		
18	SA 9453-03243	1				Hose.....	Durit.....	Schlauch.....	호스.....	Tubo flexible.....		
19	SA 9453-03642	1				Hose.....	Durit.....	Schlauch.....	호스.....	Tubo flexible.....		
20	SA 9466-03202	1				Hose.....	Durit.....	Schlauch.....	호스.....	Tubo flexible.....		
21	VOE 983250	5				Screw.....	Vis.....	Schraube.....	스크류.....	Tornillo.....		
22	SA 9466-03606	1				Hose.....	Durit.....	Schlauch.....	호스.....	Tubo flexible.....		
23	SA 9466-04302	1				Hose.....	Durit.....	Schlauch.....	호스.....	Tubo flexible.....		
24	VOE 955922	2				Spring Washer.....	Rondelle ressort.....	Federscheibe.....	스프링 와셔.....	Arandela resorte.....		
25	SA 9511-12014	2				O-ring.....	Joint Torique.....	O-ring.....	오링.....	Junta torica.....		
26	SA 9511-12018	2				O-ring.....	Joint Torique.....	O-ring.....	오링.....	Junta torica.....		
27	SA 9511-12029	1				O-ring.....	Joint Torique.....	O-ring.....	오링.....	Junta torica.....		
28	SA 9512-02021	1				O-ring.....	Joint Torique.....	O-ring.....	오링.....	Junta torica.....		
29	SA 9314-02300	15				Strip Clamp.....	Ruban Serrage.....	Bandklammer.....	스트립 클램프.....	Abraz Cinta.....		
30	SA 9512-02018	1				O-ring.....	Joint Torique.....	O-ring.....	오링.....	Junta torica.....		

1	8277878	<b>Hidráulica de trabajo, válvula de rotura de manguera en braz</b> 낙하 방지 장치 배관, 디퍼 암 <b>Arbeitshydraulik, Leitungsbruchventil Stiel</b> <b>Hydraulique de travail, coupure bras</b> <b>Working hydraulic, dipper arm rupture</b>	Catalogue id	Group
2			<b>56141</b>	<b>916</b>
3			Illustr. No	Section
4			<b>TA244</b>	<b>1200</b>
5			Issue	Page
			<b>VOE 7414356141</b>	<b>515</b>

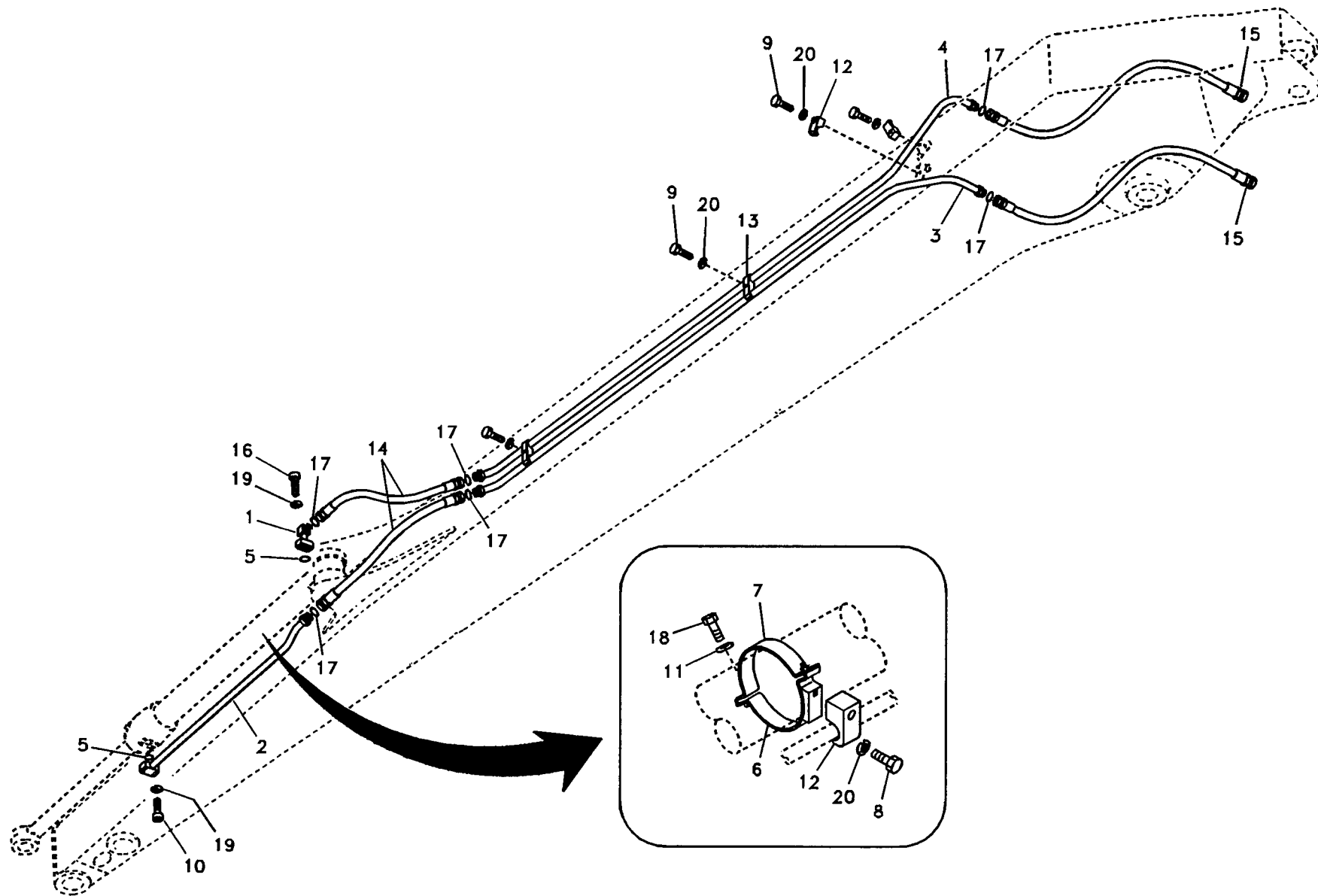


Fig.	Part No.	Quantity			P S	K T	Description	Dénomination	Bezeichnung	품명	Denominación	Notes
		1	2	3								
1	SA 1142-01490	1	1			Pipe.....	Canalisation .....	Rohrleitung .....	파이프 .....	Canalización.....		
2	SA 1174-50890	1	1			Pipe.....	Canalisation .....	Rohrleitung .....	파이프 .....	Canalización.....		
3	SA 1174-50870	1	1			Pipe.....	Canalisation .....	Rohrleitung .....	파이프 .....	Canalización.....		
4	SA 1174-50880	1	1			Pipe.....	Canalisation .....	Rohrleitung .....	파이프 .....	Canalización.....		
5	SA 9512-02214	2	2			O-ring.....	Joint Torique .....	O-ring .....	오링 .....	Junta torica.....		
6	VOE 14507922	1	1			Clamp.....	Pince Serrage .....	Klemme.....	클램프 .....	Abrazadera.....		
7	VOE 14507923	1	1			Clamp.....	Pince Serrage .....	Klemme.....	클램프 .....	Abrazadera.....		
8	VOE 1629544	1	1			Screw.....	Vis .....	Schraube .....	스크류 .....	Tornillo.....		
9	SA 9011-21613	4	4			Bolt.....	Boulon.....	Bolzen.....	볼트 .....	Perno.....		
10	SA 9016-21009	4	4			Bolt.....	Boulon.....	Bolzen.....	볼트 .....	Perno.....		
11	SA 9211-10000	2	2			Washer.....	Rondelle.....	Scheibe.....	와셔 .....	Arandela.....		
12	SA 9372-42835	3	3			Clamp.....	Pince Serrage .....	Klemme.....	클램프 .....	Abrazadera.....		
13	SA 9372-52870	2	2			Clamp.....	Pince Serrage .....	Klemme.....	클램프 .....	Abrazadera.....		
14	SA 9401-15617	2	2			Hose.....	Durit .....	Schlauch .....	호스 .....	Tubo flexible.....		
15	SA 9401-15630	2	2			Hose.....	Durit .....	Schlauch .....	호스 .....	Tubo flexible.....		
16	VOE 947167	4	4			Screw.....	Vis .....	Schraube .....	스크류 .....	Tornillo.....		
17	SA 9512-02018	6	6			O-ring.....	Joint Torique .....	O-ring .....	오링 .....	Junta torica.....		
18	VOE 983252	2	2			Screw.....	Vis .....	Schraube .....	스크류 .....	Tornillo.....		
19	VOE 955922	8	8			Spring Washer .....	Rondelle ressort.....	Federscheibe.....	스프링 와셔 .....	Arandela resorte.....		
20	VOE 955926	5	5			Spring Washer .....	Rondelle ressort.....	Federscheibe.....	스프링 와셔 .....	Arandela resorte.....		

1	8277834	<b>Hidráulica de trabajo, cilindro de chuchara en la bras largo</b> 유압 배관 , 롱 디퍼 암측 버킷 실린더 <b>Arbeitshydraulik, Löffelzylinder auf langes Stiel</b> <b>Hydraulique de travail, verin de godet sur braz longue</b> <b>Working hydraulic, bucket cylinder on long dipper arm</b>	Catalogue id	Group
2	8278186		<b>56141</b>	<b>916</b>
3			Illustr. No	Section
4			<b>TA245</b>	<b>1300</b>
5			Issue	Page
		<b>VOE 7414356141</b>	<b>517</b>	

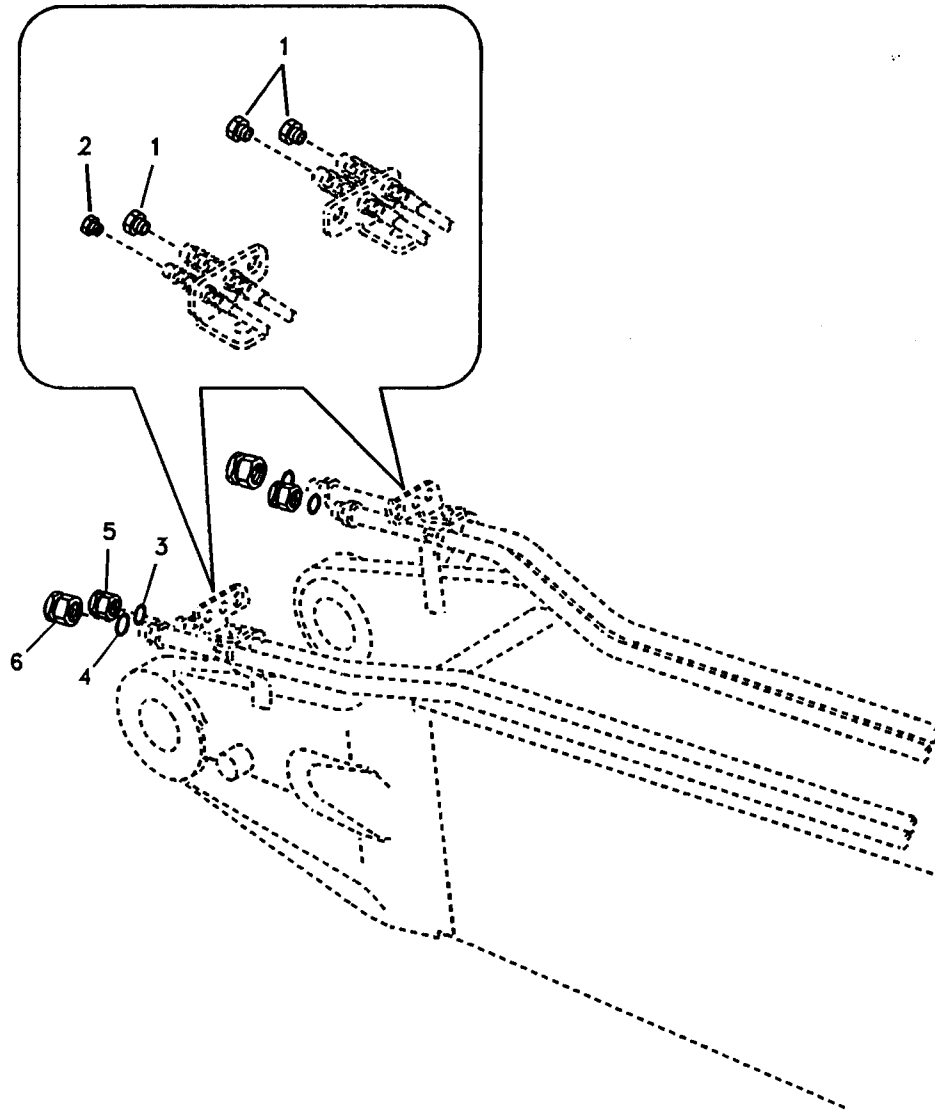


Fig.	Part No.	Quantity			P S	K I T	Description	Dénomination	Bezeichnung	품명	Denominación	Notes
		1	2	3								
1	SA 9411-90410	3				Plug.....	Bouchon.....	Stopfen .....	플러그 .....	Tapon.....		
2	SA 9411-93390	1				Plug.....	Bouchon.....	Stopfen .....	플러그 .....	Tapon.....		
3	SA 9512-02018	2				O-ring .....	Joint Torique .....	O-ring .....	오링 .....	Junta torica.....		
4	SA 9512-02021	2				O-ring .....	Joint Torique .....	O-ring .....	오링 .....	Junta torica.....		
5	SA 9415-35021	2				Plug.....	Bouchon.....	Stopfen .....	플러그 .....	Tapon.....		
6	SA 9415-35031	2				Plug.....	Bouchon.....	Stopfen .....	플러그 .....	Tapon.....		

1	8277659	<b>Hidráulica de trabajo, tapón para sin bras</b> 유압 배관 , 디퍼 암 미장착시 유압 플러그 <b>Arbeitshydraulik, Zapfen für ohne Stiel</b> <b>Hydraulique de travail, bouchon pour sans brazo</b> <b>Working hydraulic, hydraulic plugs for no dipper arm</b>	Catalogue id	Group
2			<b>56141</b>	<b>916</b>
3			Illustr. No	Section
4			<b>TA246</b>	<b>1400</b>
5			Issue	Page
			<b>VOE 7414356141</b>	<b>519</b>



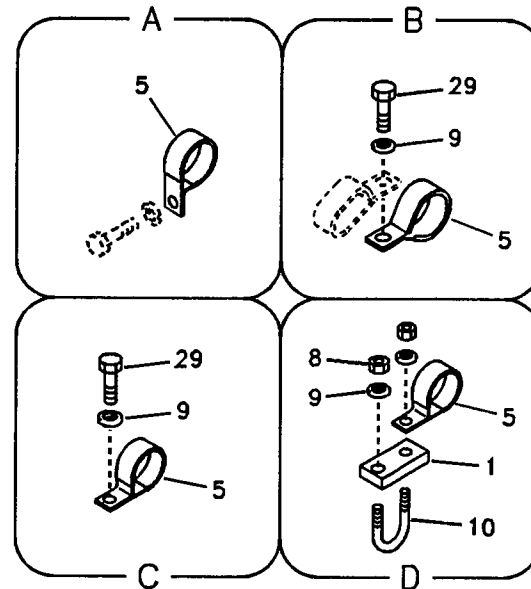
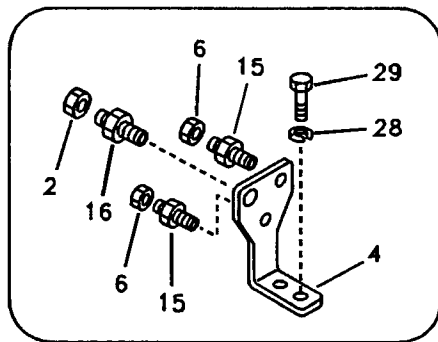
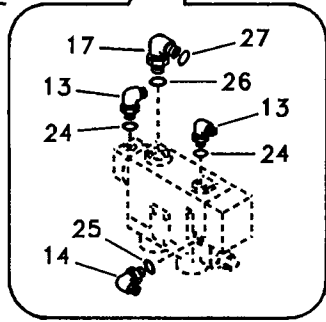
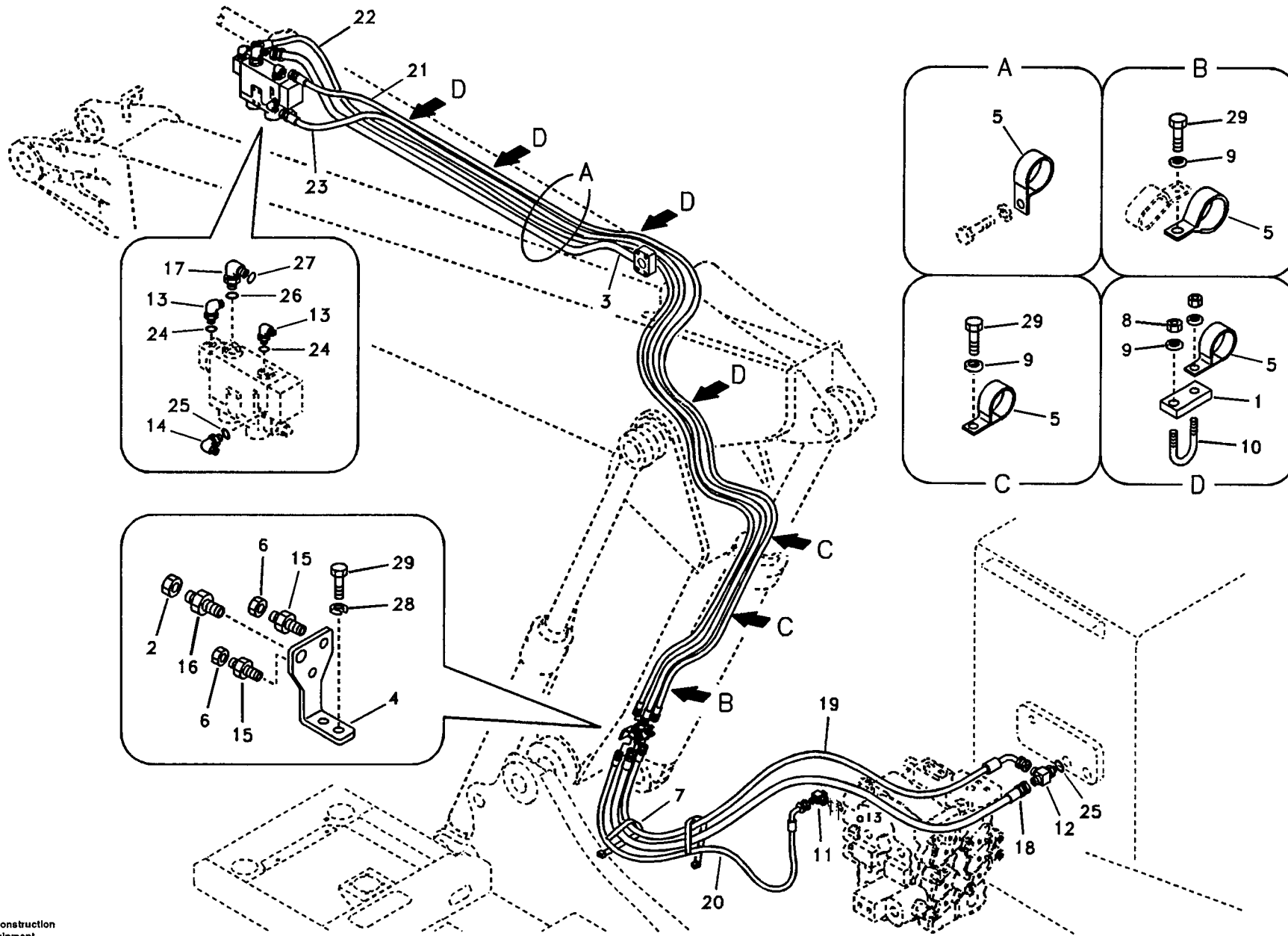


Fig.	Part No.	Quantity			P S	K I T	Description	Dénomination	Bezeichnung	품명	Denominación	Notes
		1	2	3								
1	SA 1174-51182	4				Plate.....	Plaque.....	Platte.....	플레이트.....	Placa.....		
2	SA 1174-53450	1				Nut.....	Ecrou.....	Mutter.....	너트.....	Tuerca.....		
3	VOE 14512063	1				Pipe.....	Canalisation.....	Rohrleitung.....	파이프.....	Canalización.....		
4	VOE 14509020	1				Bracket.....	Console.....	Konsole.....	브라켓.....	Ménsula.....		
5	VOE 14515523	8				Clip.....	Clip.....	Klemme.....	클립.....	Clip.....		
6	SA 2043-00120	2				Nut.....	Ecrou.....	Mutter.....	너트.....	Tuerca.....		
7	SA 9314-02300	15				Strip Clamp.....	Ruban Serrage.....	Bandklammer.....	스트립 클램프.....	Abraz Cinta.....		
8	SA 9111-31000	8				Nut.....	Ecrou.....	Mutter.....	너트.....	Tuerca.....		
9	SA 9211-10000	11				Washer.....	Rondelle.....	Scheibe.....	와셔.....	Arandela.....		
10	SA 9391-10272	4				U-bolt.....	Etrier Ressort.....	Federbride.....	유 볼트.....	Abrazadera-u.....		
11	SA 9411-91310	1				Tee.....	Connexion en T.....	T-stuck.....	티.....	Acoplamiento T.....		
12	SA 9411-96100	1				Tee.....	Connexion en T.....	T-stuck.....	티.....	Acoplamiento T.....		
13	SA 9413-11020	2				Elbow.....	Coude.....	Winkelstueck.....	엘보.....	Coda.....		
14	SA 9413-11030	1				Elbow.....	Coude.....	Winkelstueck.....	엘보.....	Coda.....		
15	SA 9416-11101	2				Connector.....	Raccord.....	Anschluss.....	커넥터.....	Union.....		
16	SA 9416-11111	1				Connector.....	Raccord.....	Anschluss.....	커넥터.....	Union.....		
17	SA 9419-21050	1				Elbow.....	Coude.....	Winkelstueck.....	엘보.....	Coda.....		
18	SA 9451-04341	1				Hose.....	Durit.....	Schlauch.....	호스.....	Tubo flexible.....		
19	SA 9453-03243	1				Hose.....	Durit.....	Schlauch.....	호스.....	Tubo flexible.....		
20	SA 9453-03642	1				Hose.....	Durit.....	Schlauch.....	호스.....	Tubo flexible.....		
21	SA 9466-03210	1				Hose.....	Durit.....	Schlauch.....	호스.....	Tubo flexible.....		
22	SA 9466-03614	1				Hose.....	Durit.....	Schlauch.....	호스.....	Tubo flexible.....		
23	SA 9466-04310	1				Hose.....	Durit.....	Schlauch.....	호스.....	Tubo flexible.....		
24	SA 9511-12014	2				O-ring.....	Joint Torique.....	O-ring.....	오링.....	Junta torica.....		
25	SA 9511-12018	2				O-ring.....	Joint Torique.....	O-ring.....	오링.....	Junta torica.....		
26	SA 9511-12029	1				O-ring.....	Joint Torique.....	O-ring.....	오링.....	Junta torica.....		
27	SA 9512-02021	1				O-ring.....	Joint Torique.....	O-ring.....	오링.....	Junta torica.....		
28	VOE 955922	2				Spring Washer.....	Rondelle ressort.....	Federscheibe.....	스프링 와셔.....	Arandela resorte.....		
29	VOE 983250	5				Screw.....	Vis.....	Schraube.....	스크류.....	Tornillo.....		

1	8277880	<b>Hidráulica de trabajo, válvula ruptura en la pluma ajustable</b> 유압 배관, 조절 붐의 디퍼 암 낙화 방지 장치 <b>Arbeitshydraulik, Leitungsbruchventil auf Verstellausleger</b> <b>Hydraulique de travail, calpet de securite sur réglable flèche</b> <b>Working hydraulic, dipper arm rupture for adjustable boom</b>	Catalogue id	Group
2			<b>56141</b>	<b>916</b>
3			Illustr. No	Section
4			<b>TA247</b>	<b>1500</b>
5			Issue	Page
		<b>VOE 7414356141</b>	<b>521</b>	

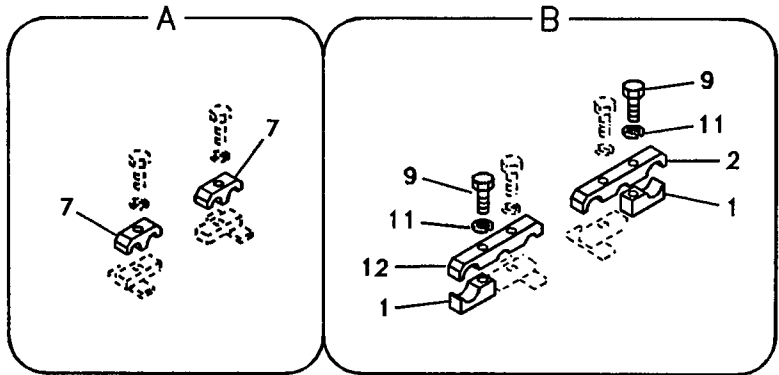
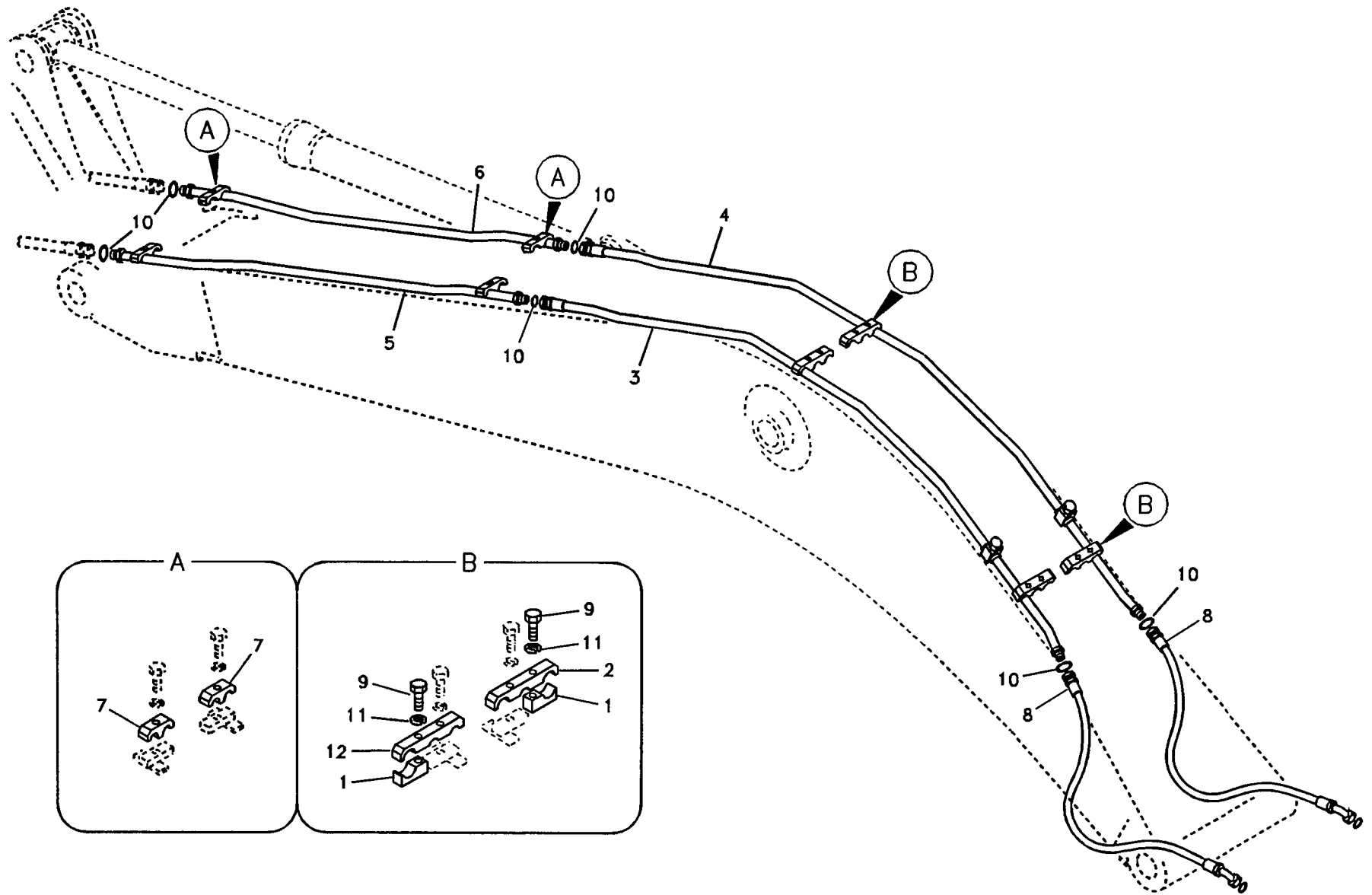


Fig.	Part No.	Quantity			P S	K I T	Description	Dénomination	Bezeichnung	품명	Denominación	Notes
		1	2	3								
1	SA 1074-01431	4				Clamp.....	Pince Serrage .....	Klemme .....	클램프 .....	Abrazadera.....		
2	SA 1174-50120	2				Clamp.....	Pince Serrage .....	Klemme .....	클램프 .....	Abrazadera.....		
3	SA 1174-53020	1				Pipe.....	Canalisation .....	Rohrleitung .....	파이프 .....	Canalización.....		
4	SA 1174-53030	1				Pipe.....	Canalisation .....	Rohrleitung .....	파이프 .....	Canalización.....		
5	SA 1174-53040	1				Pipe.....	Canalisation .....	Rohrleitung .....	파이프 .....	Canalización.....		
6	SA 1174-53050	1				Pipe.....	Canalisation .....	Rohrleitung .....	파이프 .....	Canalización.....		
7	SA 9372-62870	4				Clamp.....	Pince Serrage .....	Klemme .....	클램프 .....	Abrazadera.....		
8	SA 9402-06632	2				Hose.....	Durit .....	Schlauch .....	호스 .....	Tube flexible.....		
9	SA 9011-21613	4				Bolt.....	Boulon.....	Bolzen.....	볼트 .....	Perno.....		
10	SA 9512-02021	6				O-ring .....	Joint Torique .....	O-ring .....	오링 .....	Junta torica.....		
11	VOE 955926	4				Spring Washer .....	Rondelle ressort.....	Federscheibe.....	스프링 와셔 .....	Arandela resorte.....		
12	SA 1074-01420	2				Clamp.....	Pince Serrage .....	Klemme .....	클램프 .....	Abrazadera.....		

1	8277858	<b>Hidráulica de trabajo, martillo y cizalla para pluma</b> 해머 및 시어 배관 , 붐 <b>Arbeitshydraulik, Hammer und Schere für Ausl</b> <b>Hydraulique de travail, marteau et ciseaux pour flèche</b> <b>Working hydraulic, hammer and shear for boom</b>	Catalogue id	Group
2			<b>56141</b>	<b>916</b>
3			Illustr. No	Section
4			<b>TA248</b>	<b>2000</b>
5			Issue	Page
			<b>VOE 7414356141</b>	<b>523</b>

2.5M

2.9M

3.9M

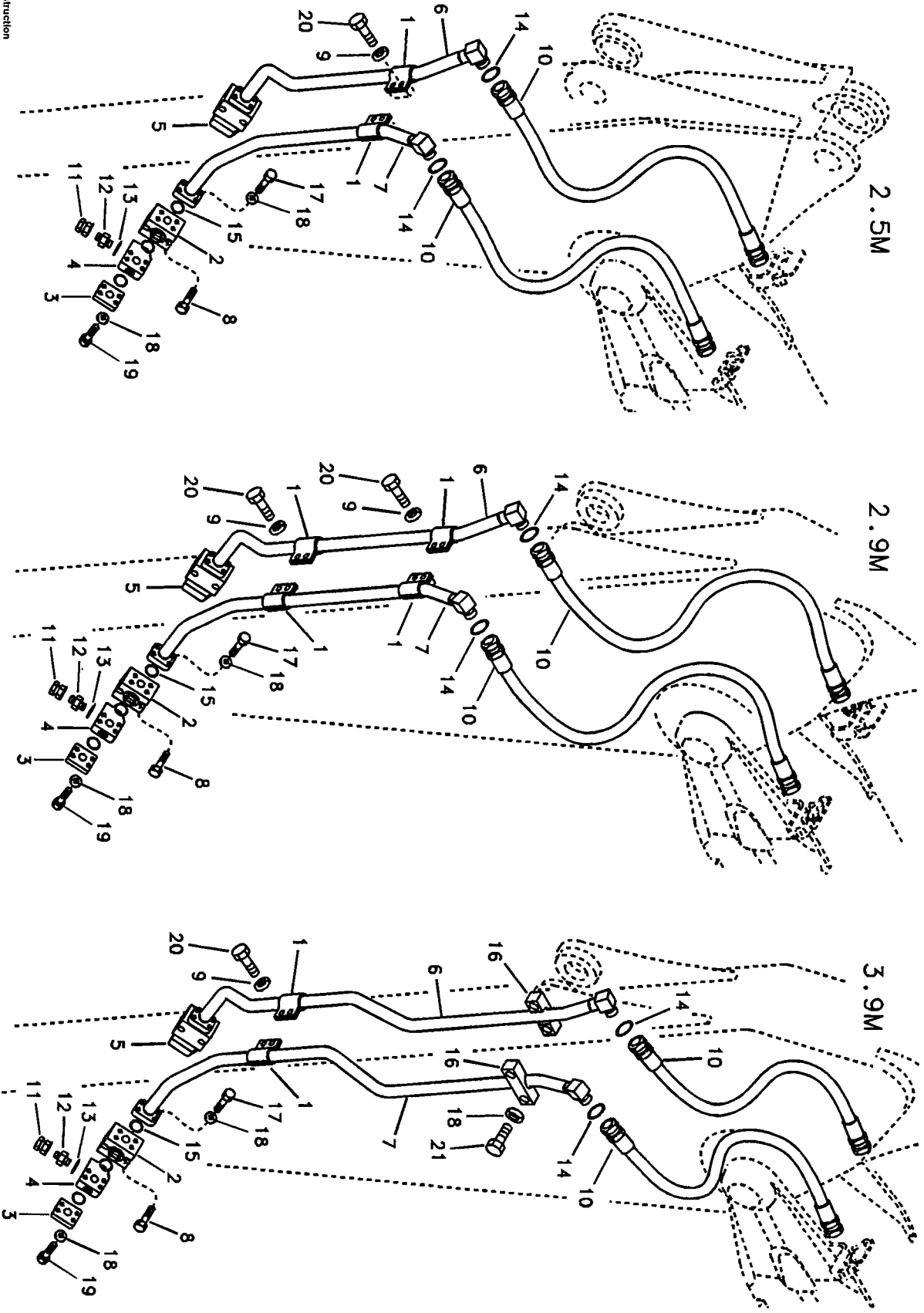


Fig.	Part No.	Quantity			P S	K I T	Description	Dénomination	Bezeichnung	품명	Denominación	Notes
		1	2	3								
1	SA 1174-53091	4	8	4		Clamp.....	Pince Serrage .....	Klemme.....	클램프 .....	Abrazadera.....		
2	SA 1174-53190	2	2	2		Valve.....	Soupape.....	Ventil .....	밸브 .....	Valvula.....		
3	SA 1174-54580	2	2	2		Plug.....	Bouchon.....	Stopfen .....	플러그 .....	Tapon.....		
4	SA 1174-57730	1	1	1		Block .....	Bloc .....	Block .....	블록 .....	Bloque.....		
5	SA 1174-57740	1	1	1		Block .....	Bloc .....	Block .....	블록 .....	Bloque.....		
6	VOE 14508427	1				Pipe.....	Canalisation .....	Rohrleitung .....	파이프 .....	Canalización.....		
	VOE 14508433		1			Pipe.....	Canalisation .....	Rohrleitung .....	파이프 .....	Canalización.....		
	VOE 14508439			1		Pipe.....	Canalisation .....	Rohrleitung .....	파이프 .....	Canalización.....		
7	VOE 14508426	1				Pipe.....	Canalisation .....	Rohrleitung .....	파이프 .....	Canalización.....		
	VOE 14508432		1			Pipe.....	Canalisation .....	Rohrleitung .....	파이프 .....	Canalización.....		
	VOE 14508438			1		Pipe.....	Canalisation .....	Rohrleitung .....	파이프 .....	Canalización.....		
8	SA 9016-21013	4	4	4		Bolt.....	Boulon .....	Bolzen .....	볼트 .....	Perno.....		
9	SA 9211-12000	4	8	4		Washer.....	Rondelle.....	Scheibe .....	와셔 .....	Arandela.....		
10	SA 9401-16633	2	2	2		Hose.....	Durit .....	Schlauch .....	호스 .....	Tube flexible.....		
11	SA 9411-90410	2	2	2		Plug.....	Bouchon.....	Stopfen .....	플러그 .....	Tapon.....		
12	SA 9411-95980	2	2	2		Connector .....	Raccord.....	Anschluss .....	커넥터 .....	Union.....		
13	SA 9511-12014	2	2	2		O-ring .....	Joint Torique .....	O-ring .....	오링 .....	Junta torica.....		
14	SA 9512-02021	2	2	2		O-ring .....	Joint Torique .....	O-ring .....	오링 .....	Junta torica.....		
15	SA 9512-02219	6	6	6		O-ring .....	Joint Torique .....	O-ring .....	오링 .....	Junta torica.....		
16	SA 9372-33460			2		Clamp.....	Pince Serrage .....	Klemme.....	클램프 .....	Abrazadera.....		
17	VOE 947167	8	8	8		Screw .....	Vis .....	Schraube .....	스크류 .....	Tornillo.....		
18	VOE 955922	16	16	20		Spring Washer .....	Rondelle ressort.....	Federscheibe.....	스프링 와셔 .....	Arandela resorte.....		
19	VOE 967637	8	8	8		Allen Hd Screw .....	Vis A 6 Pans Cr.....	Inbusschraube .....	스크류 .....	Torn Hex Embut.....		
20	VOE 978932	4	8	4		Screw .....	Vis .....	Schraube .....	스크류 .....	Tornillo.....		
21	VOE 983255			4		Screw .....	Vis .....	Schraube .....	스크류 .....	Tornillo.....		

1	8277860	<b>Hidráulica de trabajo, martillo y cizalla para brazo</b> 해머 및 시어 배관 , 디퍼 암 <b>Arbeitshydraulik, Hammer und Schere für Stie</b> <b>Hydraulique de travail, marteau et ciseaux pour bras</b> <b>Working hydraulic, hammer and shear for dipper arm</b>	Catalogue id	Group
2	8277861		<b>56141</b>	<b>916</b>
3	8277862		Illustr. No	Section
4			<b>TA249</b>	<b>2100</b>
5			Issue	Page
		<b>VOE 7414356141</b>	<b>525</b>	

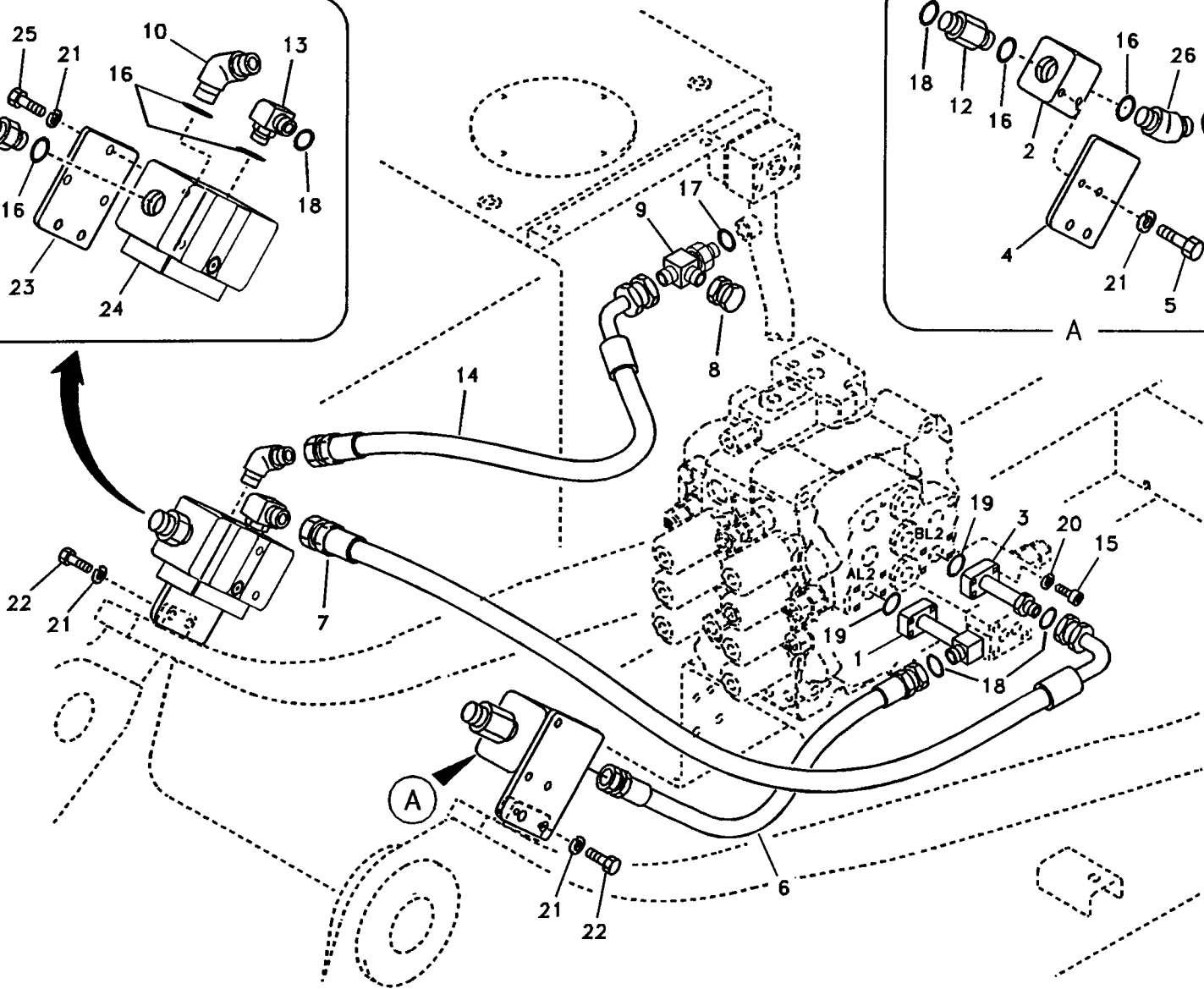
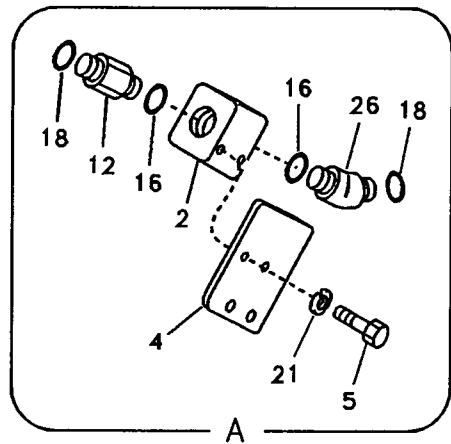
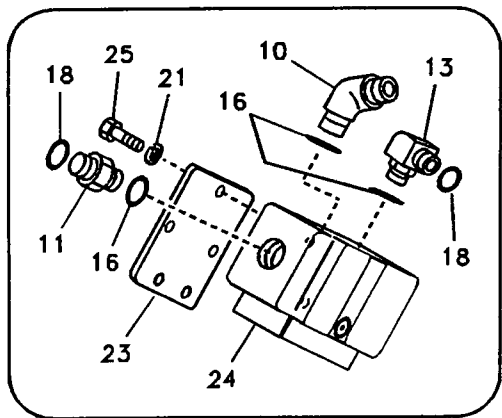


Fig.	Part No.	Quantity			P S	K I T	Description	Dénomination	Bezeichnung	품명	Denominación	Notes
		1	2	3								
1	VOE 14511942	1	1			Pipe.....	Canalisation .....	Rohrleitung .....	파이프 .....	Canalización.....		
2	VOE 14504524	1	1			Block .....	Bloc .....	Block .....	블록 .....	Bloque.....		
3	VOE 14508419	1	1			Pipe.....	Canalisation .....	Rohrleitung .....	파이프 .....	Canalización.....		
4	VOE 14511487	1	1			Bracket.....	Console .....	Konsole .....	브라켓 .....	Ménsula.....		
5	SA 9011-21215	2	2			Bolt.....	Boulon.....	Bolzen.....	볼트 .....	Perno.....		
6	SA 9403-06615	1	1			Hose.....	Durit .....	Schlauch .....	호스 .....	Tube flexible.....		
7	SA 9403-06626	1	1			Hose.....	Durit .....	Schlauch .....	호스 .....	Tube flexible.....		
8	SA 9411-91920	1	1			Plug.....	Bouchon.....	Stopfen .....	플러그 .....	Tapon.....		
9	SA 9411-96070	1	1			Tee.....	Connexion en T.....	T-stuck .....	티 .....	Acoplamiento T.....		
10	SA 9414-11050	1	1			Elbow .....	Coude .....	Winkelstueck .....	엘보 .....	Coda.....		
11	SA 9419-11090	1	1			Connector .....	Raccord.....	Anschluss .....	커넥터 .....	Union.....		
12	SA 9419-11210	1	1			Connector .....	Raccord.....	Anschluss .....	커넥터 .....	Union.....		
13	SA 9419-21050	1	1			Elbow .....	Coude .....	Winkelstueck .....	엘보 .....	Coda.....		
14	SA 9452-06219	1	1			Hose.....	Durit .....	Schlauch .....	호스 .....	Tube flexible.....		
15	VOE 947167	8	8			Screw.....	Vis .....	Schraube .....	스크류 .....	Tornillo.....		
16	SA 9511-12029	5	5			O-ring.....	Joint Torique .....	O-ring .....	오링 .....	Junta torica.....		
17	SA 9511-12038	1	1			O-ring.....	Joint Torique .....	O-ring .....	오링 .....	Junta torica.....		
18	SA 9512-02021	6	6			O-ring.....	Joint Torique .....	O-ring .....	오링 .....	Junta torica.....		
19	SA 9512-02219	2	2			O-ring.....	Joint Torique .....	O-ring .....	오링 .....	Junta torica.....		
20	VOE 955922	8	8			Spring Washer .....	Rondelle ressort.....	Federscheibe .....	스프링 와셔 .....	Arandela resorte.....		
21	VOE 955923	9	9			Washer.....	Rondelle .....	Scheibe .....	와셔 .....	Arandela.....		
22	VOE 978933	4	4			Screw.....	Vis .....	Schraube .....	스크류 .....	Tornillo.....		
23	VOE 14511486	1	1			Bracket.....	Console .....	Konsole .....	브라켓 .....	Ménsula.....		
24	VOE 14508069	1	1			Valve.....	Soupape.....	Ventil .....	밸브 .....	Valvula.....		
25	SA 9011-11207	3	3			Bolt.....	Boulon.....	Bolzen.....	볼트 .....	Perno.....		
26	VOE 14508111	1	1			Elbow .....	Coude .....	Winkelstueck .....	엘보 .....	Coda.....		

1	8277855	<b>Hidráulica de trabajo, martillo y cizalla para superior</b> 해머 및 시어 배관 , 상부 <b>Arbeitshydraulik, Hammer und Schere für oberen</b> <b>Hydraulique de travail, marteau et ciseaux supérieurs</b> <b>Working hydraulic, hammer and shear for upper</b>	Catalogue id	Group
2	8277856		<b>56141</b>	<b>916</b>
3			Illustr. No	Section
4			<b>TA250</b>	<b>2200</b>
5			Issue	Page
		<b>VOE 7414356141</b>	<b>527</b>	



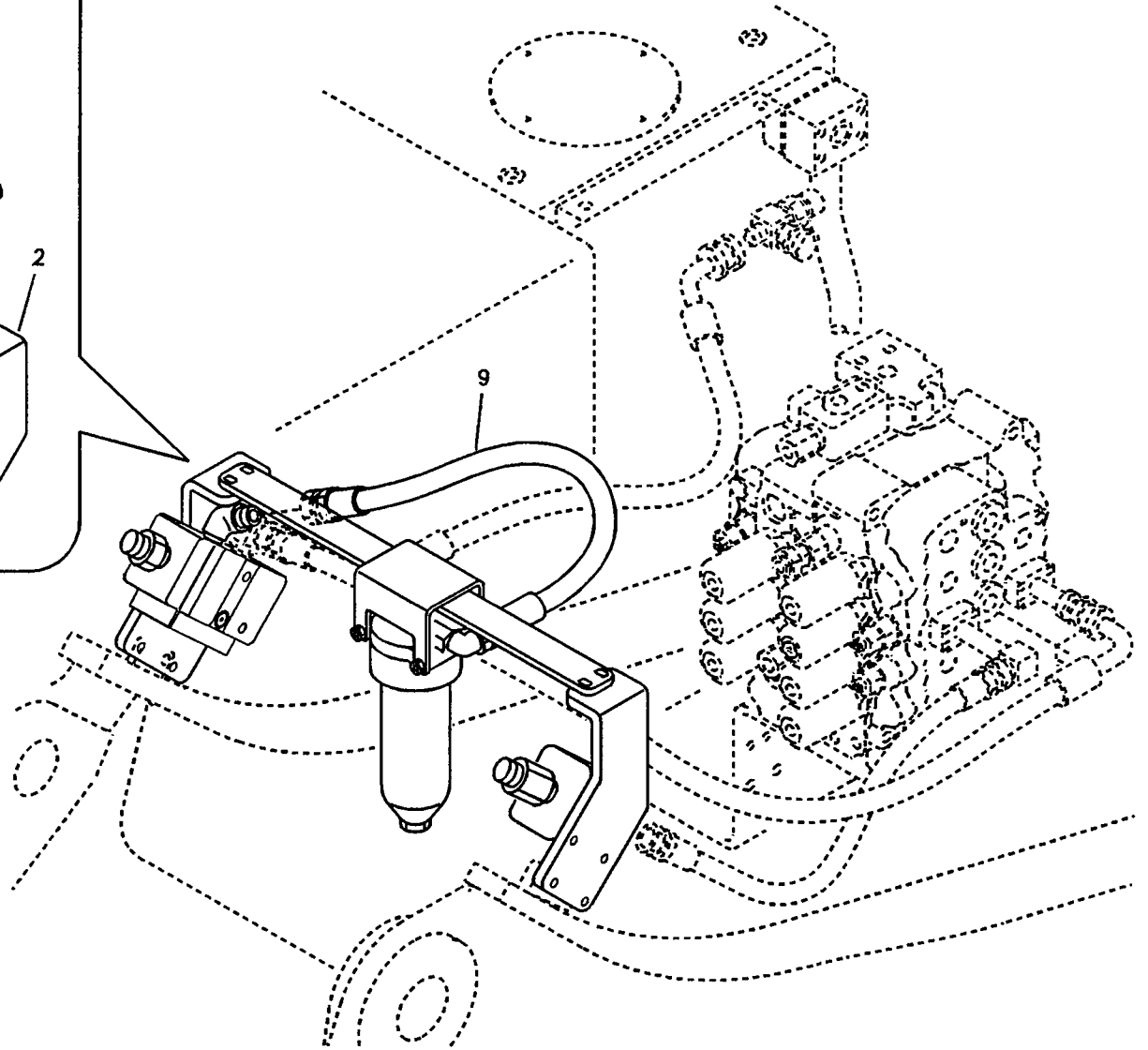
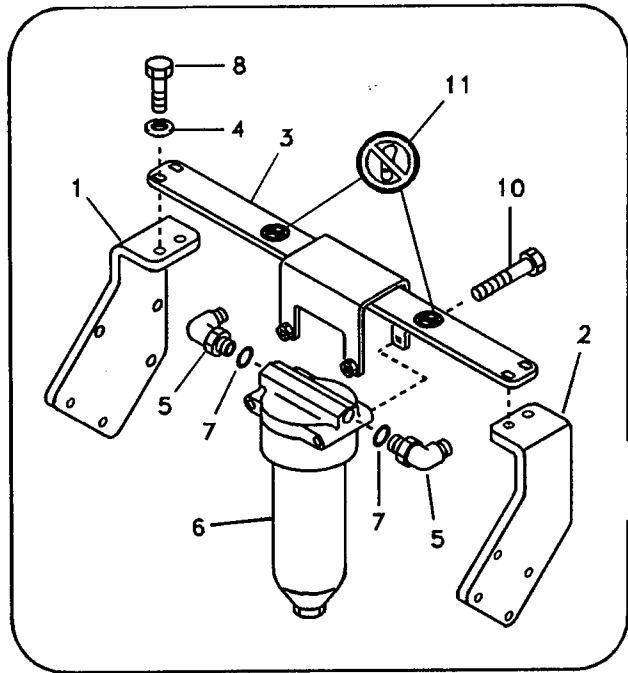


Fig.	Part No.	Quantity			P S	K I T	Description	Dénomination	Bezeichnung	품명	Denominación	Notes
		1	2	3								
1	VOE 14508417	1				Bracket.....	Console.....	Konsole.....	브라켓.....	Ménsula.....		
2	VOE 14508418	1				Bracket.....	Console.....	Konsole.....	브라켓.....	Ménsula.....		
3	VOE 14514633	1				Bracket.....	Console.....	Konsole.....	브라켓.....	Ménsula.....		
4	SA 9285-16000	4				Washer.....	Rondelle.....	Scheibe.....	와셔.....	Arandela.....		
5	SA 9413-11050	2				Elbow.....	Coude.....	Winkelstueck.....	엘보.....	Codo.....		
6	VOE 14510897	1				Filter.....	Filtre.....	Filter.....	필터.....	Filtro.....		
	VOE 14510898	1				•Filter element.....	•Elément filtrant.....	•Filtereinsatz.....	•필터 엘리먼트.....	•Elemento filtrante.....		
7	SA 9511-12029	2				O-ring.....	Joint Torique.....	O-ring.....	오링.....	Junta torica.....		
8	VOE 983252	4				Screw.....	Vis.....	Schraube.....	스크류.....	Tornillo.....		
9	SA 9451-06218	1				Hose.....	Durit.....	Schlauch.....	호스.....	Tubo flexible.....		
10	VOE 969313	2				Flange Screw.....	Vis A Bride.....	Flanschschrabe.....	플랜지 스크류.....	Torn Embridado.....		
11	VOE 14512077	2				Decal.....	Decalcomanie.....	Abziehbild.....	데칼.....	Decalcomania.....		

1	8277857	<b>Hidráulica de trabajo, martillo y cizalla para filtro de retor</b> 해머 및 시어 배관 , 리턴 필터 <b>Arbeitshydraulik, Hammer und Schere für Rücklauffilter</b> <b>Hydraulique de travail, marteau et ciseaux pour filtre de retour</b> <b>Working hydraulic, hammer and shear for return filter</b>	Catalogue id	Group
2			<b>56141</b>	<b>916</b>
3			Illustr. No	Section
4			<b>TA251</b>	<b>2300</b>
5			Issue	Page
			<b>VOE 7414356141</b>	<b>529</b>

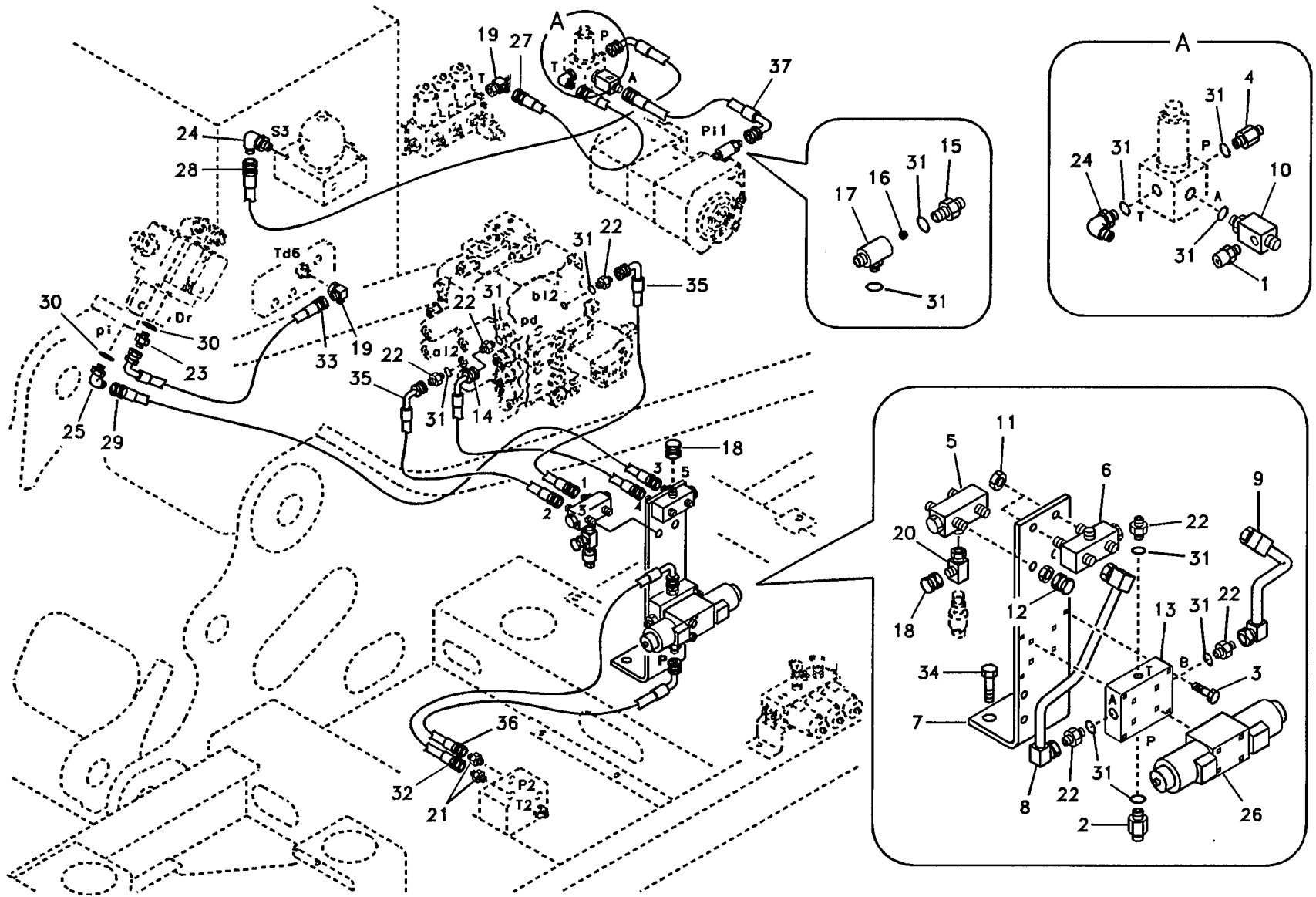


Fig.	Part No.	Quantity			P S	K T	Description	Dénomination	Bezeichnung	품명	Denominación	Notes
		1	2	3								
1	SA 1042-11650	1	1			Quick Coupling.....	Accouple.rapide .....	Schnellkupplung .....	퀵 커플러 .....	Acoplam Rapido.....		
2	SA 1048-10530	1	1			Connector .....	Raccord.....	Anschluss .....	커넥터 .....	Union.....		
3	VOE 965176	4	4			Screw .....	Vis .....	Schraube .....	스크류 .....	Tornillo.....		
4	SA 1048-10560	1	1			Connector .....	Raccord.....	Anschluss .....	커넥터 .....	Union.....		
5	VOE 14506628	1	1			Valve .....	Soupape.....	Ventil .....	밸브 .....	Valvula.....		
6	VOE 14506629	1	1			Valve .....	Soupape.....	Ventil .....	밸브 .....	Valvula.....		
7	VOE 14508646	1	1			Bracket.....	Console.....	Konsole .....	브라켓 .....	Ménsula.....		
8	VOE 14509463	1	1			Pipe.....	Canalisation .....	Rohrleitung .....	파이프 .....	Canalización.....		
9	VOE 14509464	1	1			Pipe.....	Canalisation .....	Rohrleitung .....	파이프 .....	Canalización.....		
10	VOE 14880099	1	1			Tee.....	Connexion en T.....	T-stuck .....	티 .....	Acoplamiento T.....		
11	SA 2043-00120	4	4			Nut .....	Ecrou.....	Mutter .....	너트 .....	Tuerca.....		
12	SA 9411-90410	1	1			Plug.....	Bouchon.....	Stopfen .....	플러그 .....	Tapon.....		
13	SA 1040-65471	1	1			Plate.....	Plaque.....	Platte .....	플레이트 .....	Placa.....		
14	SA 9453-03219	1	1			Hose.....	Durit .....	Schlauch .....	호스 .....	Tube flexible.....		
15	SA 9411-92462	1	1			Connector .....	Raccord.....	Anschluss .....	커넥터 .....	Union.....		
16	SA 9676-51600	1	1			Ball .....	Bille .....	Kugel .....	볼 .....	Bola.....		
17	SA 9411-92992	1	1			Tee.....	Connexion en T.....	T-stuck .....	티 .....	Acoplamiento T.....		
18	SA 9411-93390	2	2			Plug.....	Bouchon.....	Stopfen .....	플러그 .....	Tapon.....		
19	SA 9411-95440	2	2			Tee.....	Connexion en T.....	T-stuck .....	티 .....	Acoplamiento T.....		
20	SA 9411-96110	1	1			Tee.....	Connexion en T.....	T-stuck .....	티 .....	Acoplamiento T.....		
21	SA 9412-11030	2	2			Connector .....	Raccord.....	Anschluss .....	커넥터 .....	Union.....		
22	SA 9412-11120	6	6			Connector .....	Raccord.....	Anschluss .....	커넥터 .....	Union.....		
23	SA 9412-11130	1	1			Connector .....	Raccord.....	Anschluss .....	커넥터 .....	Union.....		
24	SA 9413-11010	2	2			Elbow .....	Coude .....	Winkelstueck .....	엘보 .....	Coda.....		
25	SA 9413-11020	1	1			Elbow .....	Coude .....	Winkelstueck .....	엘보 .....	Coda.....		
26	VOE 14505324	1	1			Solenoid Valve .....	Vanne electrom.....	Magnetventil.....	솔레노이드 밸브 .....	Electrovalvula.....	See group 916, Page 559	
27	SA 9451-02207	1	1			Hose.....	Durit .....	Schlauch .....	호스 .....	Tube flexible.....		
28	SA 9451-02214	1	1			Hose.....	Durit .....	Schlauch .....	호스 .....	Tube flexible.....		
29	SA 9451-03240	1	1			Hose.....	Durit .....	Schlauch .....	호스 .....	Tube flexible.....		
30	SA 9511-12014	2	2			O-ring.....	Joint Torique .....	O-ring .....	오링 .....	Junta torica.....		

1	8277855	<b>Hidráulica de trabajo, martillo y cizalla para flujo de 1a. bomba</b> <b>해머 및 시어 배관 ,1 련 펌프 배관</b> <b>Arbeitshydraulik, Hammer und Schere für 1. Pumpenstrom</b> <b>Hydraulique de travail, marteau et ciseaux pour 1er débit de pompe</b> <b>Working hydraulic, hammer and shear for 1st pump flow</b>	Catalogue id	Group
2	8277856		<b>56141</b>	<b>916</b>
3			Illustr. No	Section
4			<b>TA252</b>	<b>2400</b>
5			Issue	Page
		<b>VOE 7414356141</b>	<b>531</b>	

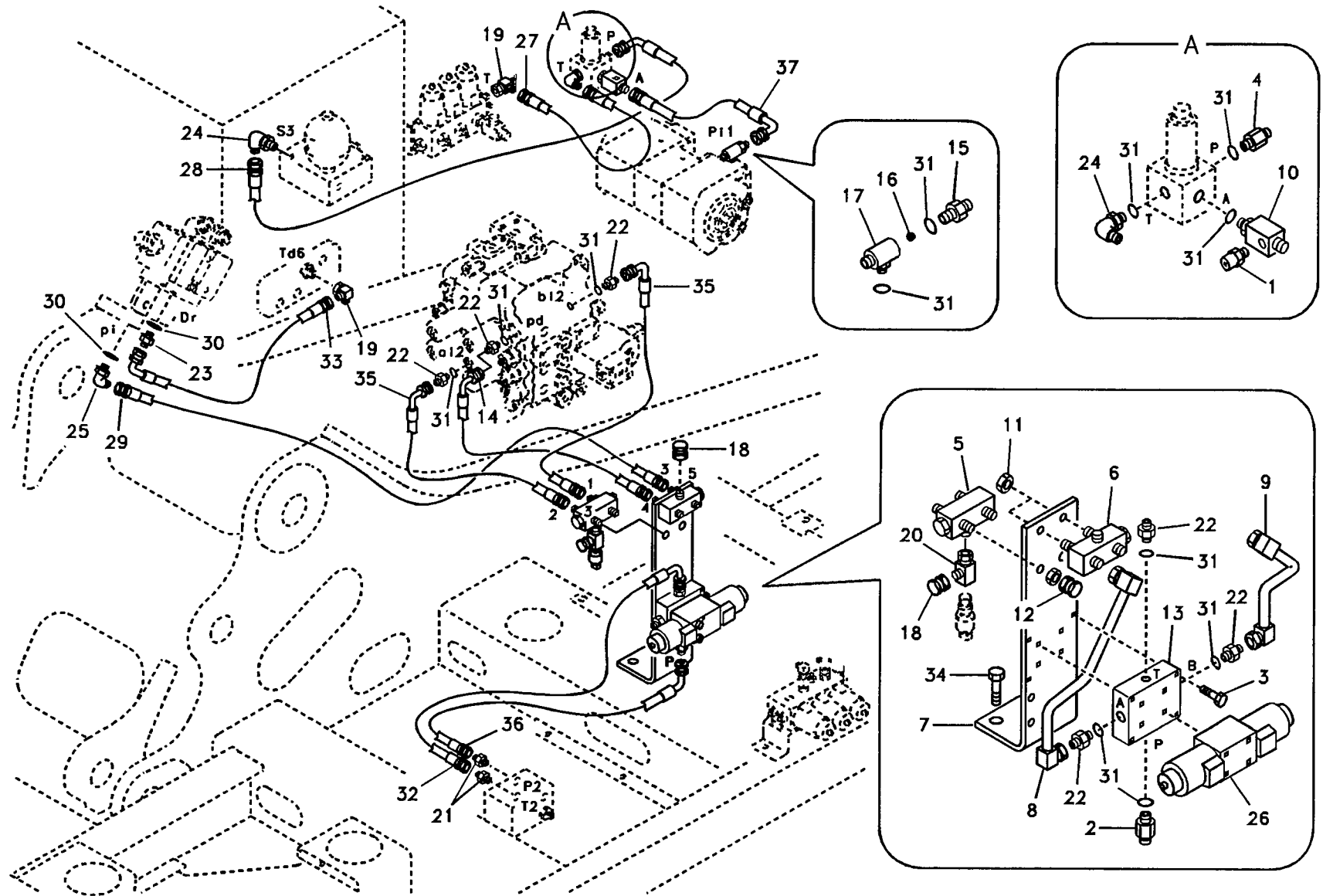


Fig.	Part No.	Quantity			P S	K I T	Description	Dénomination	Bezeichnung	품명	Denominación	Notes
		1	2	3								
31	SA 9511-12011	11	11			O-ring .....	Joint Torique .....	O-ring .....	오링 .....	Junta torica.....		
32	SA 9453-03224	1	1			Hose.....	Durit .....	Schlauch .....	호스 .....	Tubo flexible.....		
33	SA 9453-02225	1	1			Hose.....	Durit .....	Schlauch .....	호스 .....	Tubo flexible.....		
34	VOE 946329	2	2			Flange Screw .....	Vis A Bride .....	Flanschschraube .....	플랜지 스크류 .....	Torn Embridado.....		
35	SA 9453-03218	2	2			Hose.....	Durit .....	Schlauch .....	호스 .....	Tubo flexible.....		
36	SA 9453-03221	1	1			Hose.....	Durit .....	Schlauch .....	호스 .....	Tubo flexible.....		
37	SA 9453-02215	1	1			Hose.....	Durit .....	Schlauch .....	호스 .....	Tubo flexible.....		

1	8277855	<b>Hidráulica de trabajo, martillo y cizalla para flujo de 1a. bomba</b> 해머 및 시어 배관 ,1 련 펌프 배관 <b>Arbeitshydraulik, Hammer und Schere für 1. Pumpenstrom</b> <b>Hydraulique de travail, marteau et ciseaux pour 1er débit de pompe</b> <b>Working hydraulic, hammer and shear for 1st pump flow</b>	Catalogue id	Group
2	8277856		<b>56141</b>	<b>916</b>
3			Illustr. No	Section
4			<b>TA252</b>	<b>2400</b>
5			Issue	Page
			<b>VOE 7414356141</b>	<b>533</b>



Fig.	Part No.	Quantity			P S	K I T	Description	Dénomination	Bezeichnung	품명	Denominación	Notes
		1	2	3								
1	SA 7270-11220	1				Cap .....	Chapeau .....	Kappe .....	캡 .....	Caperuza.....		
2	SA 9566-10260	1				•Ring .....	•Anneau .....	•Ring.....	•링 .....	•Anillo.....		
3	SA 9511-12026	1				•O-ring.....	•Joint Torique .....	•O-ring.....	•오링 .....	•Junta torica.....		
4	SA 7270-11210	1				Cap .....	Chapeau .....	Kappe .....	캡 .....	Caperuza.....		
5	SA 9511-12026	1				•O-ring.....	•Joint Torique .....	•O-ring.....	•오링 .....	•Junta torica.....		
6	SA 9566-10260	1				•Ring .....	•Anneau .....	•Ring.....	•링 .....	•Anillo.....		
7	SA 9451-02208	1				Hose.....	Durit .....	Schlauch .....	호스 .....	Tubo flexible.....		
8	SA 9451-02207	1				Hose.....	Durit .....	Schlauch .....	호스 .....	Tubo flexible.....		
9	SA 9453-02212	1				Hose.....	Durit .....	Schlauch .....	호스 .....	Tubo flexible.....		
10	SA 9453-02234	1				Hose.....	Durit .....	Schlauch .....	호스 .....	Tubo flexible.....		
11	SA 9511-12011	6				O-ring .....	Joint Torique .....	O-ring .....	오링 .....	Junta torica.....		
12	SA 9511-12014	1				O-ring .....	Joint Torique .....	O-ring .....	오링 .....	Junta torica.....		
13	SA 9453-02210	1				Hose.....	Durit .....	Schlauch .....	호스 .....	Tubo flexible.....		
14	SA 9453-02224	1				Hose.....	Durit .....	Schlauch .....	호스 .....	Tubo flexible.....		
15	VOE 14502037	1				Valve .....	Soupape.....	Ventil .....	밸브 .....	Valvula.....		
16	VOE 14508071	1				Plate.....	Plaque .....	Platte .....	플레이트 .....	Placa.....		
17	VOE 946440	2				Flange Screw .....	Vis A Bride .....	Flanschschrabe .....	플랜지 스크류 .....	Torn Embridado.....		
18	VOE 946471	2				Flange Screw .....	Vis A Bride .....	Flanschschrabe .....	플랜지 스크류 .....	Torn Embridado.....		
19	SA 1048-10540	1				Connector .....	Raccord.....	Anschluss .....	커넥터 .....	Union.....		
20	VOE 14507108	1				Tee.....	Connexion en T.....	T-stuck .....	티 .....	Acoplamiento T.....		
21	SA 9411-92350	2				Tee.....	Connexion en T.....	T-stuck .....	티 .....	Acoplamiento T.....		
22	SA 9411-93492	1				Tee.....	Connexion en T.....	T-stuck .....	티 .....	Acoplamiento T.....		
23	SA 9412-11020	2				Connector .....	Raccord.....	Anschluss .....	커넥터 .....	Union.....		
24	SA 9412-11130	1				Connector .....	Raccord.....	Anschluss .....	커넥터 .....	Union.....		
25	SA 9403-05616	1				Hose.....	Durit .....	Schlauch .....	호스 .....	Tubo flexible.....		
26	SA 9419-11040	1				Connector .....	Raccord.....	Anschluss .....	커넥터 .....	Union.....		
27	SA 9419-11050	1				Connector .....	Raccord.....	Anschluss .....	커넥터 .....	Union.....		
28	SA 9419-21030	2				Elbow .....	Coude .....	Winkelstueck .....	엘보 .....	Codo.....		
29	SA 9511-12024	5				O-ring .....	Joint Torique .....	O-ring .....	오링 .....	Junta torica.....		
30	SA 9512-02018	4				O-ring .....	Joint Torique .....	O-ring .....	오링 .....	Junta torica.....		

1	8277856	<b>Hidráulica de trabajo, martillo y cizalla para flujo de 2a. bomba</b> 해머 및 시어 배관 ,2 련 펌프 배관 <b>Arbeitshydraulik, Hammer und Schere für 2. Pumpenstrom</b> Hydraulique de travail, marteau et ciseaux pour 2nd débit de pompe <b>Working hydraulic, hammer and shear for 2nd pump flow</b>	Catalogue id	Group
2			56141	916
3			Illustr. No	Section
4			TA253	2600
5			Issue	Page
			VOE 7414356141	535



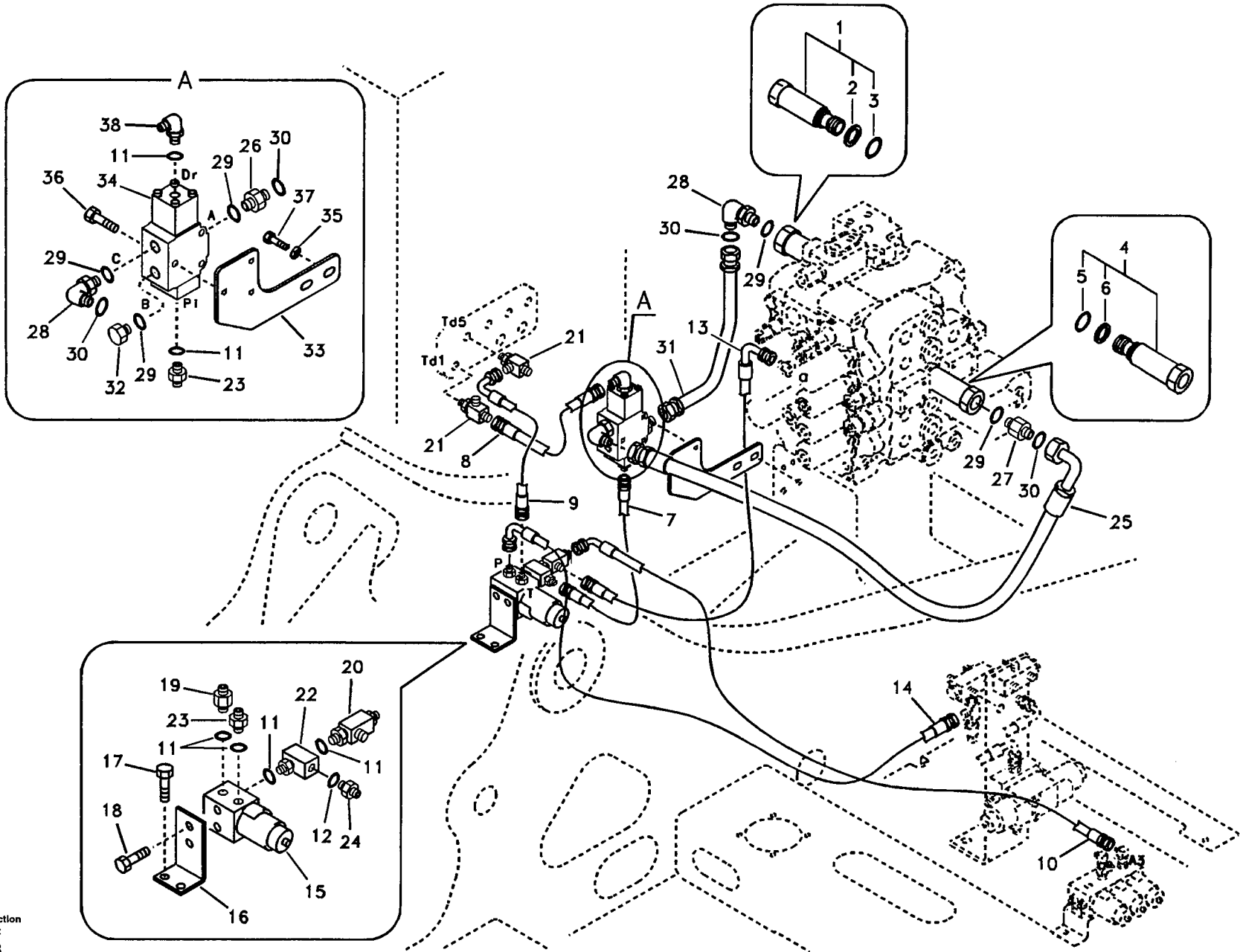


Fig.	Part No.	Quantity			P S	K I T	Description	Dénomination	Bezeichnung	품명	Denominación	Notes
		1	2	3								
31	VOE 14511695	1				Pipe.....	Canalisation .....	Rohrleitung .....	파이프 .....	Canalización.....		
32	SA 9415-11051	1				Plug.....	Bouchon .....	Stopfen .....	플러그 .....	Tapon.....		
33	VOE 14506173	1				Bracket.....	Console .....	Konsole .....	브라켓 .....	Ménsula.....		
34	VOE 14509916	1				Valve.....	Soupape.....	Ventil .....	밸브 .....	Valvula.....		
35	SA 9211-12000	2				Washer.....	Rondelle.....	Scheibe .....	와셔 .....	Arandela.....		
36	VOE 967639	3				Screw .....	Vis .....	Schraube .....	스크류 .....	Tornillo.....		
37	VOE 978933	2				Screw .....	Vis .....	Schraube .....	스크류 .....	Tornillo.....		
38	SA 9413-11010	1				Elbow .....	Coude .....	Winkelstueck .....	엘보 .....	Coda.....		

1	8277856	<b>Hidráulica de trabajo, martillo y cizalla para flujo de 2a. bomba</b> 해머 및 시어 배관 ,2 련 펌프 배관 <b>Arbeitshydraulik, Hammer und Schere für 2. Pumpenstrom</b> <b>Hydraulique de travail, marteau et ciseaux pour 2nd débit de pompe</b> <b>Working hydraulic, hammer and shear for 2nd pump flow</b>	Catalogue id	Group
2			<b>56141</b>	<b>916</b>
3			illustr. No	Section
4			<b>TA253</b>	<b>2600</b>
5			Issue	Page
			<b>VOE 7414356141</b>	<b>537</b>

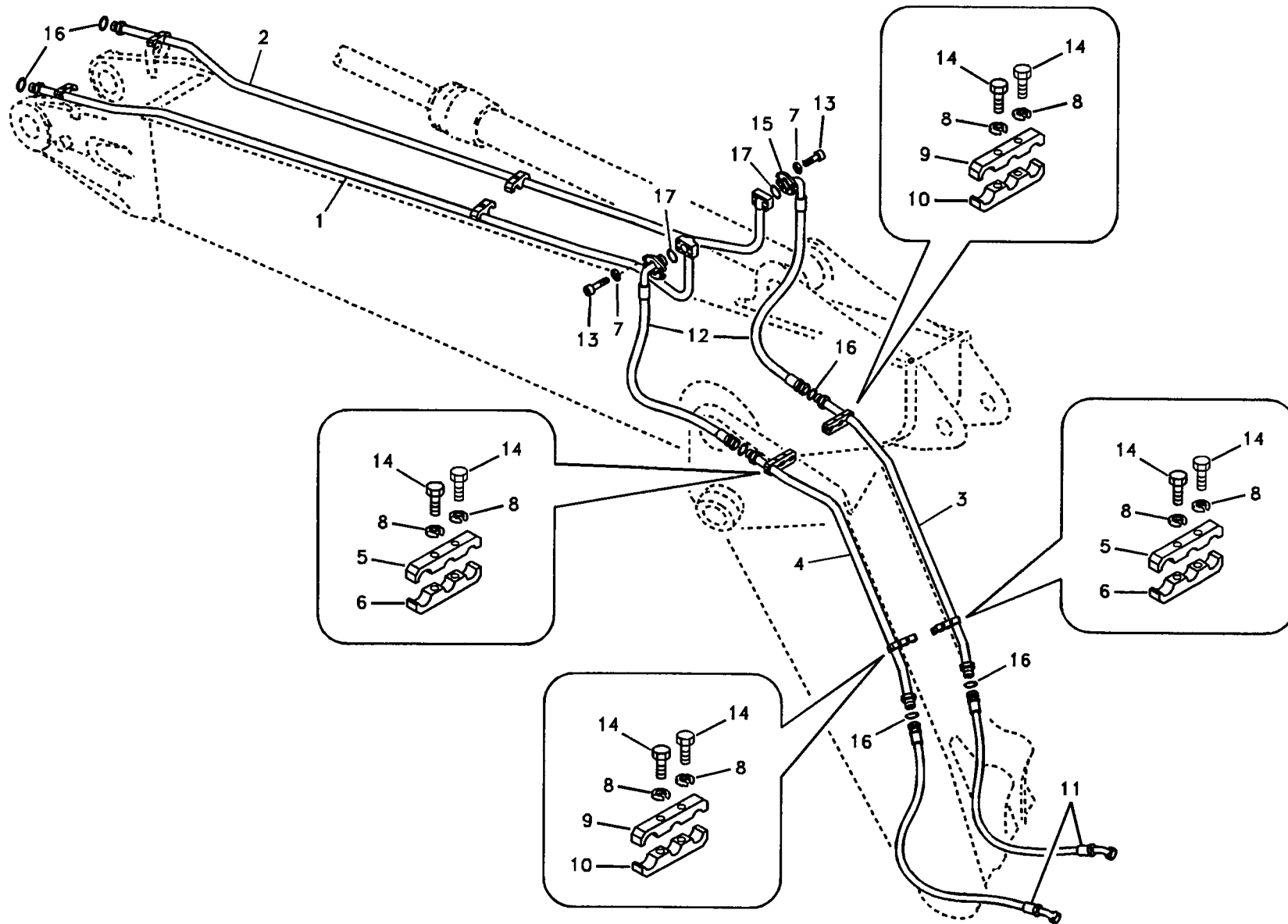


Fig.	Part No.	Quantity			P S	K I T	Description	Dénomination	Bezeichnung	품명	Denominación	Notes
		1	2	3								
1	SA 1174-53970	1				Pipe.....	Canalisation .....	Rohrleitung .....	파이프 .....	Canalización.....		
2	SA 1174-53980	1				Pipe.....	Canalisation .....	Rohrleitung .....	파이프 .....	Canalización.....		
3	SA 1174-53960	1				Pipe.....	Canalisation .....	Rohrleitung .....	파이프 .....	Canalización.....		
4	SA 1174-53950	1				Pipe.....	Canalisation .....	Rohrleitung .....	파이프 .....	Canalización.....		
5	SA 1174-53610	2				Clamp.....	Pince Serrage .....	Klemme .....	클램프 .....	Abrazadera.....		
6	SA 1174-53640	2				Clamp.....	Pince Serrage .....	Klemme .....	클램프 .....	Abrazadera.....		
7	VOE 955922	8				Spring Washer .....	Rondelle ressort.....	Federscheibe.....	스프링 와셔 .....	Arandela resorte.....		
8	VOE 955926	8				Spring Washer .....	Rondelle ressort.....	Federscheibe.....	스프링 와셔 .....	Arandela resorte.....		
9	SA 1174-54010	2				Clamp.....	Pince Serrage .....	Klemme .....	클램프 .....	Abrazadera.....		
10	SA 1174-54180	2				Clamp.....	Pince Serrage .....	Klemme .....	클램프 .....	Abrazadera.....		
11	SA 9402-06632	2				Hose.....	Durit .....	Schlauch .....	호스 .....	Tubo flexible.....		
12	SA 9406-06623	2				Hose.....	Durit .....	Schlauch .....	호스 .....	Tubo flexible.....		
13	VOE 947167	8				Screw .....	Vis .....	Schraube .....	스크류 .....	Tornillo.....		
14	VOE 1629544	8				Screw .....	Vis .....	Schraube .....	스크류 .....	Tornillo.....		
15	SA 9425-51031	4				Flange.....	Flasque .....	Flansch .....	플랜지 .....	Brida.....		
16	SA 9512-02021	6				O-ring.....	Joint Torique .....	O-ring .....	오링 .....	Junta torica.....		
17	SA 9512-02219	2				O-ring.....	Joint Torique .....	O-ring .....	오링 .....	Junta torica.....		

1	8277859	<b>Hidráulica de trabajo, martillo y cizalla para pluma ajustable</b> 해머 및 시어 배관 , 조절 붐 <b>Arbeitshydraulik, Hammer und Schere für stellbaren Ausleger</b> <b>Hydraulique de travail, marteau et ciseaux pour flèche réglable</b> <b>Working hydraulic, hammer and shear for adjustable boom</b>	Catalogue id	Group
2			<b>56141</b>	<b>916</b>
3			Illustr. No	Section
4			<b>TA254</b>	<b>2800</b>
5			Issue	Page
			<b>VOE 7414356141</b>	<b>539</b>

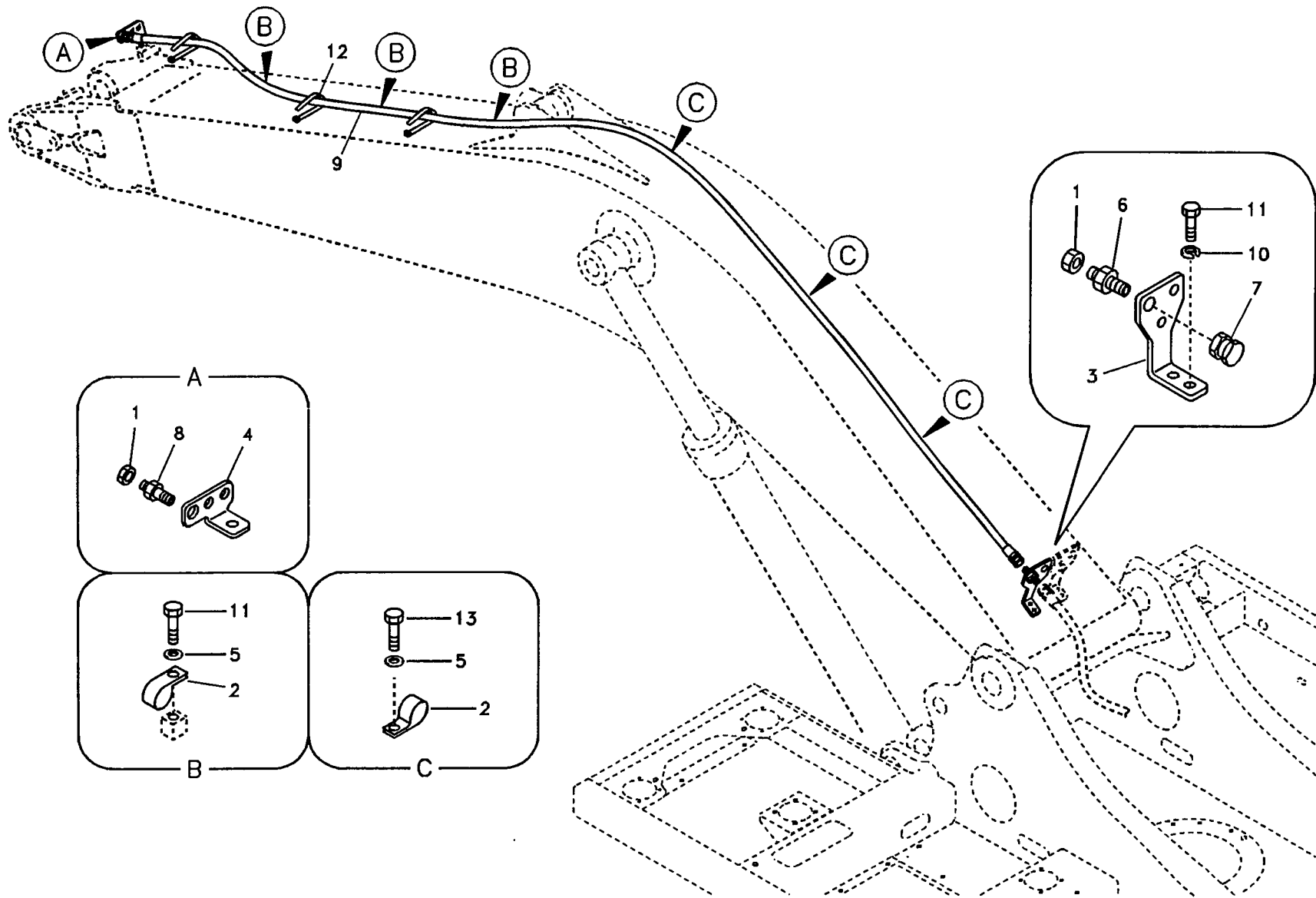


Fig.	Part No.	Quantity			P S	K T	Description	Dénomination	Bezeichnung	품명	Denominación	Notes
		1	2	3								
1	SA 1174-53450	2				Nut .....	Ecrou.....	Mutter .....	너트 .....	Tuerca.....		
2	VOE 14500295	6				Clip.....	Clip.....	Klemme.....	클립 .....	Clip.....		
3	VOE 14509020	1				Bracket.....	Console.....	Konsole .....	브라켓 .....	Ménsula.....		
4	VOE 14514484	1				Plate.....	Plaque .....	Platte .....	플레이트 .....	Placa.....		
5	SA 9211-10000	6				Washer.....	Rondelle.....	Scheibe .....	와셔 .....	Arandela.....		
6	SA 9411-95990	1				Connector .....	Raccord.....	Anschluss .....	커넥터 .....	Union.....		
7	SA 9415-43041	1				Plug.....	Bouchon.....	Stopfen .....	플러그 .....	Tapon.....		
8	SA 9416-11111	1				Connector .....	Raccord.....	Anschluss .....	커넥터 .....	Union.....		
9	SA 9466-04219	1				Hose.....	Durit.....	Schlauch .....	호스 .....	Tubo flexible.....		
10	VOE 955922	2				Spring Washer .....	Rondelle ressort.....	Federscheibe.....	스프링 와셔 .....	Arandela resorte.....		
11	VOE 983250	5				Screw .....	Vis .....	Schraube .....	스크류 .....	Tornillo.....		
12	SA 9314-02300	10				Strip Clamp .....	Ruban Serrage.....	Bandklammer .....	스트립 클램프 .....	Abraz Cinta.....		
13	VOE 983252	3				Screw .....	Vis .....	Schraube .....	스크류 .....	Tornillo.....		

1	8277844	<b>Hidráulica de trabajo, tubo salida de aceite en la pluma</b> 유압 배관 , 붐측 오일 배관 <b>Arbeitshydraulik, Leckölleitung auf Ausleger</b> <b>Hydraulique de travail, conduit fuite sur flèche</b> <b>Working hydraulic, oil leak on boom</b>	Catalogue id	Group
2			<b>56141</b>	<b>916</b>
3			Illustr. No	Section
4			<b>TA255</b>	<b>3000</b>
5			Issue	Page
		<b>VOE 7414356141</b>	<b>541</b>	

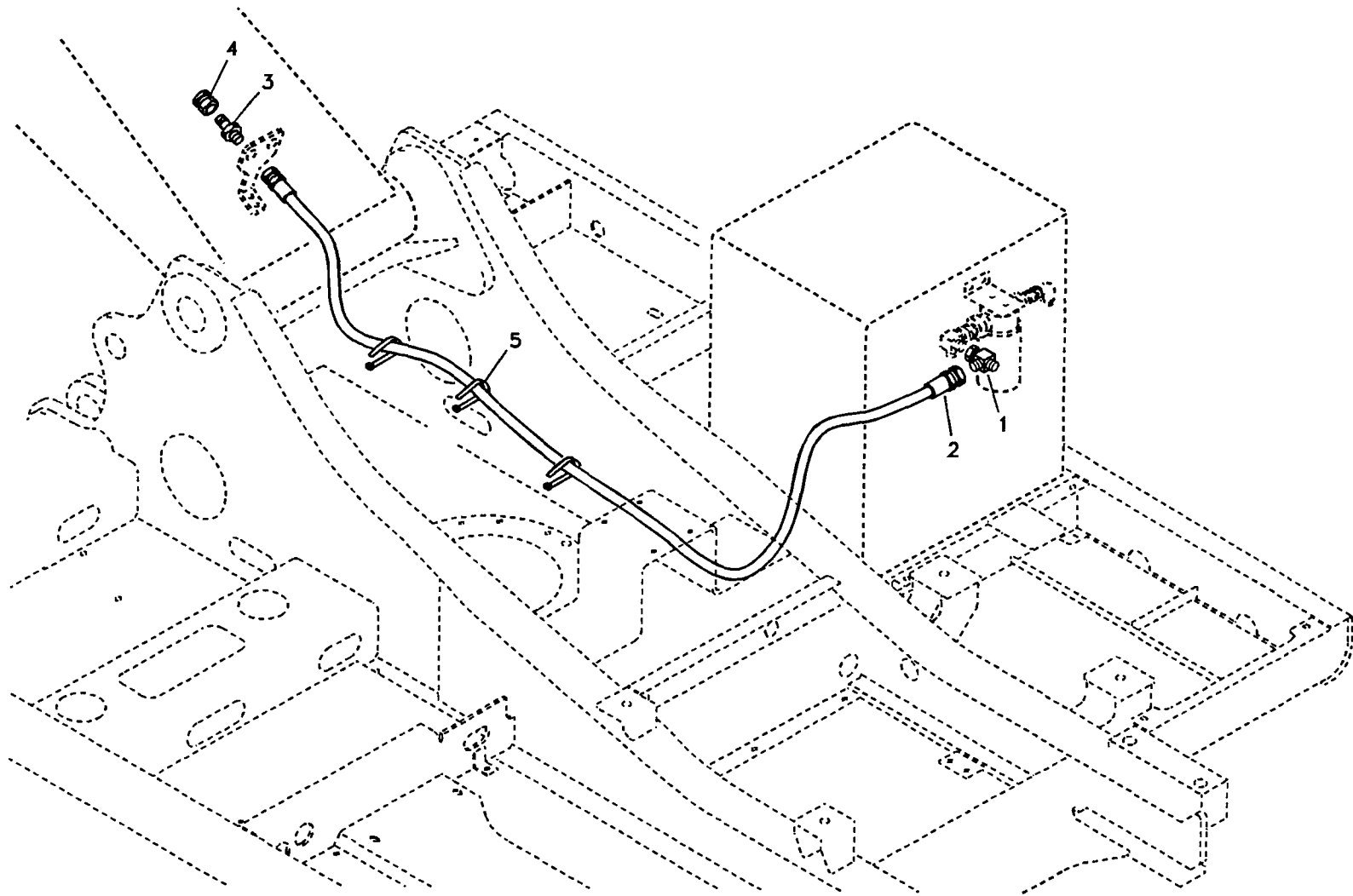


Fig.	Part No.	Quantity			P S	K T	Description	Dénomination	Bezeichnung	품명	Denominación	Notes
		1	2	3								
1	SA 9411-95970	1					Tee.....	Connexion en T.....	T-stuck.....	티.....	Acoplamiento T.....	
2	SA 9451-04266	1					Hose.....	Durit .....	Schlauch .....	호스.....	Tubo flexible.....	
3	SA 9416-11041	1					Connector .....	Raccord.....	Anschluss .....	커넥터 .....	Union.....	
4	SA 9411-91000	1					Plug.....	Bouchon.....	Stopfen .....	플러그.....	Tapon.....	
5	SA 9314-02300	10					Strip Clamp .....	Ruban Serrage.....	Bandklammer .....	스트립 클램프 .....	Abraz Cinta.....	

1	8277843	<b>Hidráulica de trabajo, tubo salida de aceite en la bastidor alto</b> 유압 배관 , 상부 프레임측 오일 배관 <b>Arbeitshydraulik, Leckölleitung auf obere Rahmen</b> <b>Hydraulique de travail, conduit fuite sur châssis supérieur</b> <b>Working Hydraulic, Oil Leak On Upper Frame</b>	Catalogue id	Group
2			56141	916
3			Illustr. No	Section
4			TA256	3100
5			Issue	Page
			VOE 7414356141	543



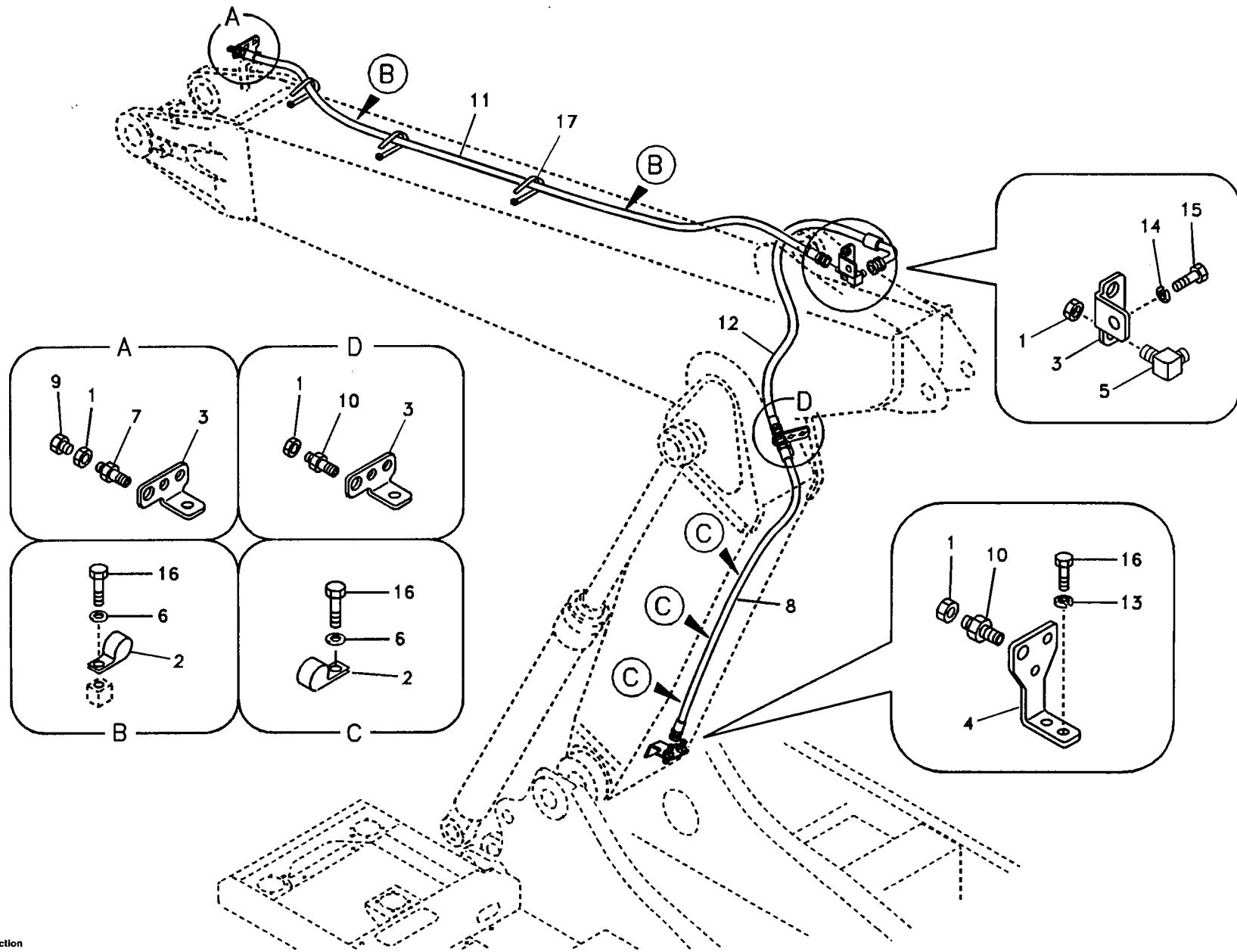
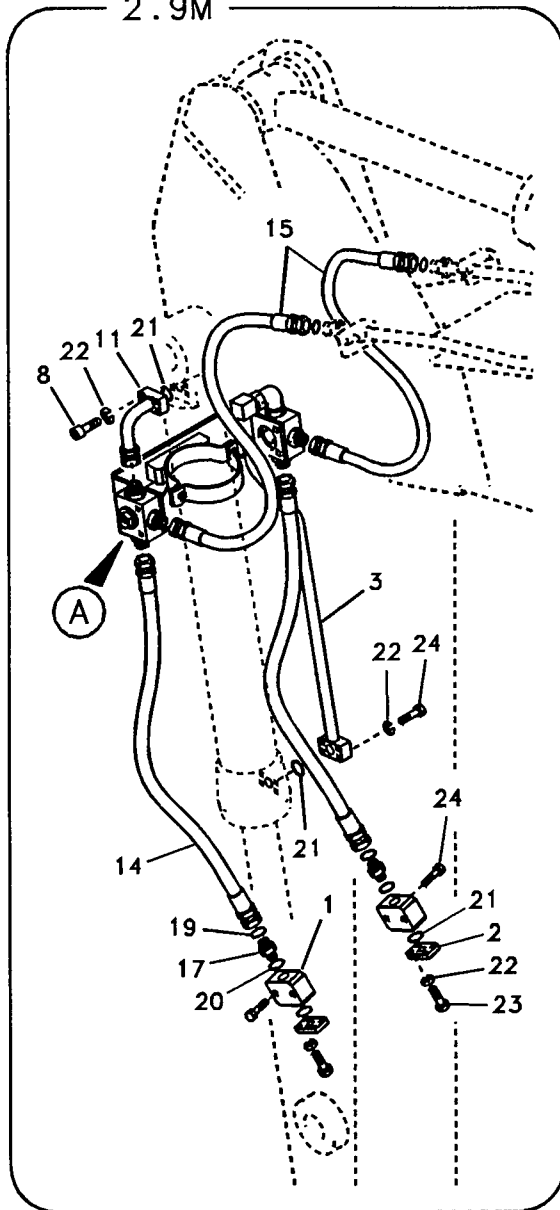


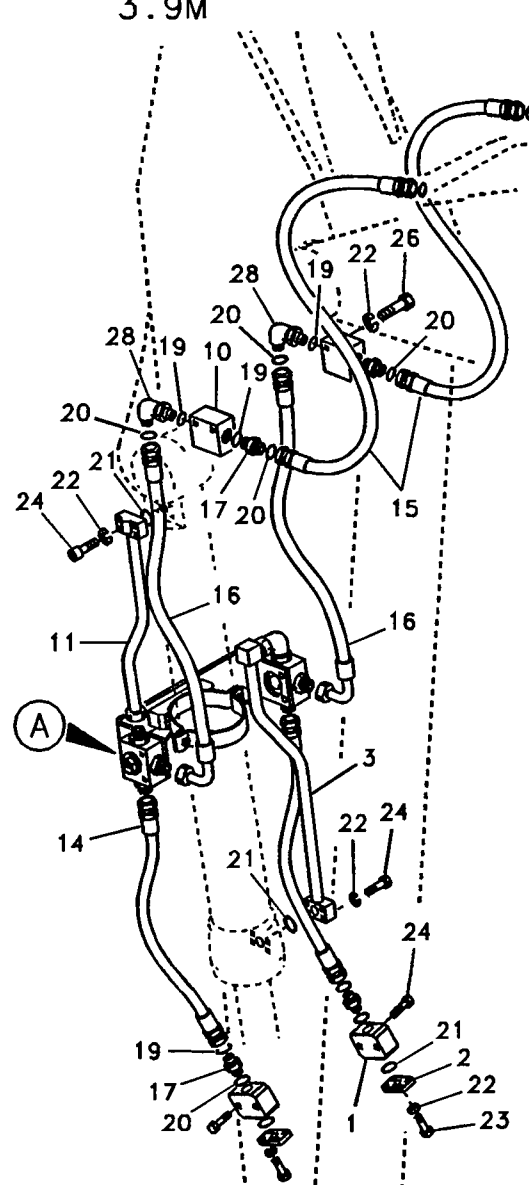
Fig.	Part No.	Quantity			P S	K I T	Description	Dénomination	Bezeichnung	품명	Denominación	Notes
		1	2	3								
1	SA 1174-53450	4				Nut .....	Ecrou.....	Mutter .....	너트 .....	Tuerca.....		
2	VOE 14500295	5				Clip.....	Clip.....	Klemme.....	클립 .....	Clip.....		
3	VOE 14514484	3				Plate.....	Plaque.....	Platte .....	플레이트.....	Placa.....		
4	VOE 14509020	1				Bracket.....	Console.....	Konsole.....	브라켓 .....	Ménsula.....		
5	VOE 14880168	1				Elbow .....	Coude .....	Winkelstueck .....	엘보 .....	Codo.....		
6	SA 9211-10000	5				Washer.....	Rondelle.....	Scheibe .....	와셔 .....	Arandela.....		
7	SA 9411-95990	1				Connector .....	Raccord.....	Anschluss .....	커넥터 .....	Union.....		
8	SA 9451-04254	1				Hose.....	Durit .....	Schlauch .....	호스 .....	Tubo flexible.....		
9	SA 9415-43041	1				Plug.....	Bouchon.....	Stopfen .....	플러그 .....	Tapon.....		
10	SA 9416-11111	2				Connector .....	Raccord.....	Anschluss .....	커넥터 .....	Union.....		
11	SA 9451-04256	1				Hose.....	Durit .....	Schlauch .....	호스 .....	Tubo flexible.....		
12	SA 9453-04219	1				Hose.....	Durit .....	Schlauch .....	호스 .....	Tubo flexible.....		
13	VOE 955922	2				Spring Washer .....	Rondelle ressort.....	Federscheibe.....	스프링 와셔 .....	Arandela resorte.....		
14	VOE 955926	1				Spring Washer .....	Rondelle ressort.....	Federscheibe.....	스프링 와셔 .....	Arandela resorte.....		
15	VOE 978936	1				Screw .....	Vis .....	Schraube .....	스크류 .....	Tornillo.....		
16	VOE 983250	7				Screw .....	Vis .....	Schraube .....	스크류 .....	Tornillo.....		
17	SA 9314-02300	15				Strip Clamp .....	Ruban Serrage.....	Bandklammer .....	스트립 클램프 .....	Abraz Cinta.....		

1	8277845	<b>Hidráulica de trabajo, tubo salida de aceite en la pluma ajustable</b> 유압 배관 , 조절 붐측 오일 배관 <b>Arbeitshydraulik, Leckölleitung auf Verstellausleger</b> <b>Hydraulique de travail, conduit fuite sur réglable flèche</b> <b>Working hydraulic, oil leak on adjustable boom</b>	Catalogue id	Group
2			<b>56141</b>	<b>916</b>
3			Illustr. No	Section
4			<b>TA257</b>	<b>3200</b>
5			Issue	Page
			VOE 7414356141	<b>545</b>

2.9M



3.9M



2.5M

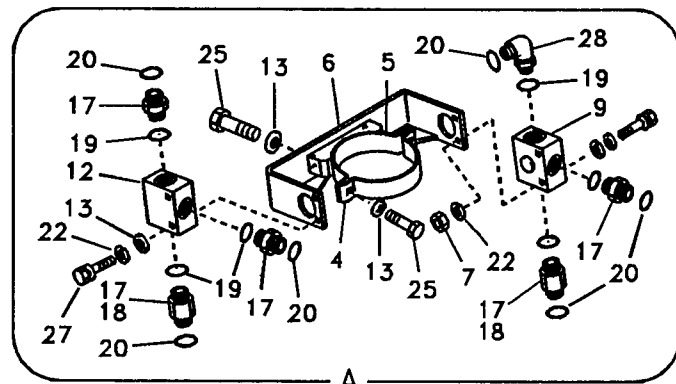
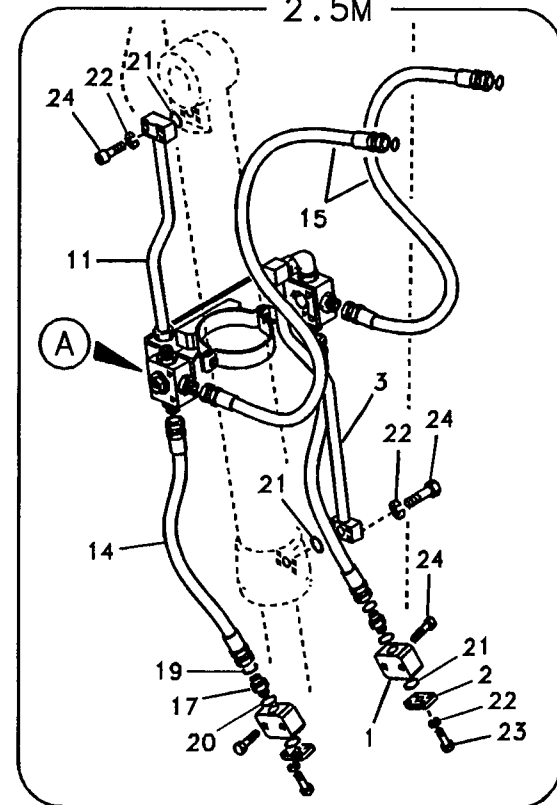


Fig.	Part No.	Quantity			P S	K I T	Description	Dénomination	Bezeichnung	품명	Denominación	Notes
		1	2	3								
1	SA 1174-53140	2	2	2		Block .....	Bloc .....	Block .....	블록 .....	Bloque.....		
2	SA 1174-53170	2	2	2		Plug.....	Bouchon.....	Stopfen .....	플러그 .....	Tapon.....		
3	VOE 14511746	1		1		Pipe.....	Canalisation .....	Rohrleitung .....	파이프 .....	Canalización.....		
	VOE 14508421		1			Pipe.....	Canalisation .....	Rohrleitung .....	파이프 .....	Canalización.....		
4	SA 1174-56331	1	1	1		Clamp.....	Pince Serrage .....	Klemme.....	클램프 .....	Abrazadera.....		
5	SA 1174-56341	1	1	1		Clamp.....	Pince Serrage .....	Klemme.....	클램프 .....	Abrazadera.....		
6	VOE 14515792	1	1	1		Bracket.....	Console.....	Konsole.....	브라켓 .....	Ménsula.....		
7	VOE 983304	2	2	2		Nut .....	Ecrou.....	Mutter .....	너트 .....	Tuerca.....		
8	VOE 947167		4			Screw .....	Vis .....	Schraube .....	스크류 .....	Tornillo.....		
9	SA 1174-55840	1	1	1		Block .....	Bloc .....	Block .....	블록 .....	Bloque.....		
10	VOE 14509899			2		Block .....	Bloc .....	Block .....	블록 .....	Bloque.....		
11	VOE 14511745	1		1		Pipe.....	Canalisation .....	Rohrleitung .....	파이프 .....	Canalización.....		
	VOE 14508420		1			Pipe.....	Canalisation .....	Rohrleitung .....	파이프 .....	Canalización.....		
12	VOE 14515305	1	1	1		Valve .....	Soupape.....	Ventil .....	밸브 .....	Valvula.....		
13	SA 9211-10000	12	12	12		Washer.....	Rondelle.....	Scheibe .....	와셔 .....	Arandela.....		
14	SA 9401-15619	2		2		Hose.....	Durit .....	Schlauch .....	호스 .....	Tubo flexible.....		
	SA 9401-15626		2			Hose.....	Durit .....	Schlauch .....	호스 .....	Tubo flexible.....		
15	SA 9401-15630	2	2	2		Hose.....	Durit .....	Schlauch .....	호스 .....	Tubo flexible.....		
16	SA 9403-15626			2		Hose.....	Durit .....	Schlauch .....	호스 .....	Tubo flexible.....		
17	SA 9419-11040	7	5	9		Connector .....	Raccord.....	Anschluss .....	커넥터 .....	Union.....		
18	SA 9419-11050		2			Connector .....	Raccord.....	Anschluss .....	커넥터 .....	Union.....		
19	SA 9511-12024	8	8	12		O-ring .....	Joint Torique .....	O-ring .....	오링 .....	Junta torica.....		
20	SA 9512-02018	8	8	12		O-ring .....	Joint Torique .....	O-ring .....	오링 .....	Junta torica.....		
21	SA 9512-02214	4	4	4		O-ring .....	Joint Torique .....	O-ring .....	오링 .....	Junta torica.....		
22	VOE 955922	20	20	24		Spring Washer .....	Rondelle ressort.....	Federscheibe.....	스프링 와셔 .....	Arandela resorte.....		
23	VOE 967635	8	8	8		Allen Hd Screw .....	Vis A 6 Pans Cr.....	Inbusschraube .....	스크류 .....	Torn Hex Embut.....		
24	VOE 967636	12	8	12		Screw .....	Vis .....	Schraube .....	스크류 .....	Tornillo.....		
25	VOE 983252	8	8	8		Screw .....	Vis .....	Schraube .....	스크류 .....	Tornillo.....		
26	VOE 983256			4		Screw .....	Vis .....	Schraube .....	스크류 .....	Tornillo.....		
27	VOE 983257	4	4	4		Screw .....	Vis .....	Schraube .....	스크류 .....	Tornillo.....		

1	8277849	<b>Hidráulica de trabajo, cazo de almeja</b> 클램셸 배관 <b>Arbeitshydraulik, Greifer</b> <b>Hydraulique de travail, benne preneuse</b> <b>Working hydraulic, clamshell</b>	Catalogue id	Group
2	8277850		<b>56141</b>	<b>916</b>
3	8277851		Illustr. No	Section
4			<b>TA258</b>	<b>4000</b>
5			Issue	Page
		<b>VOE 7414356141</b>	<b>547</b>	

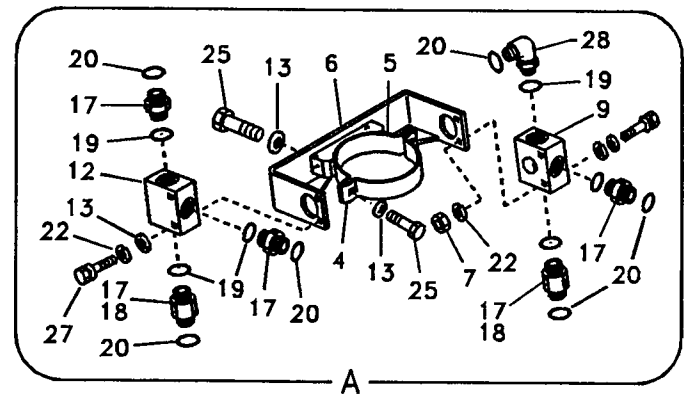
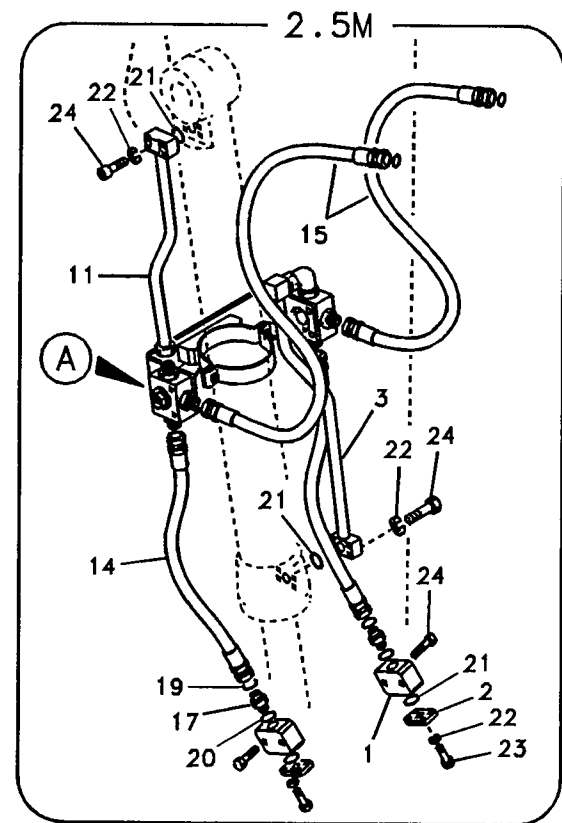
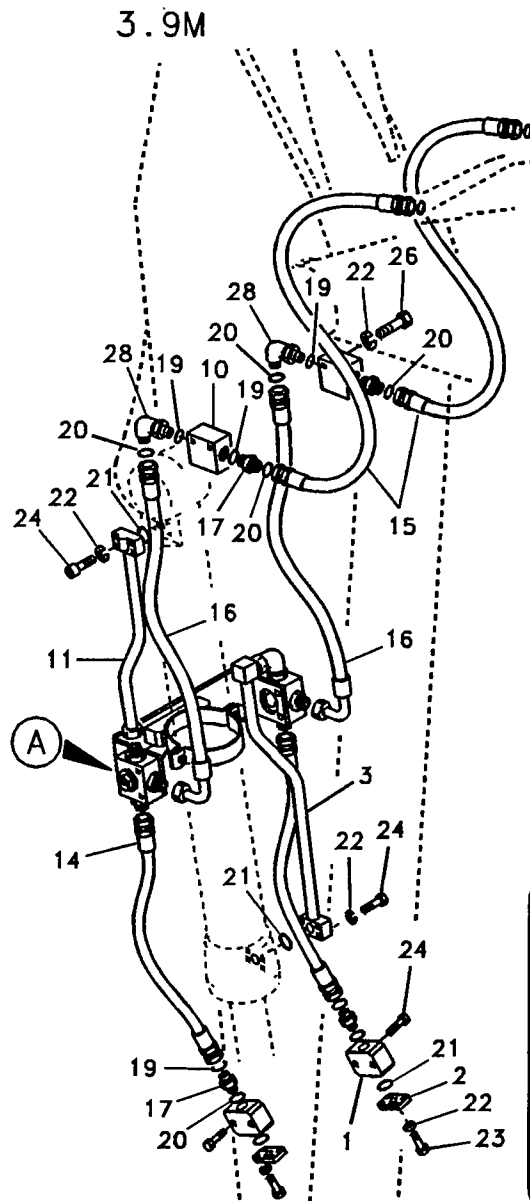
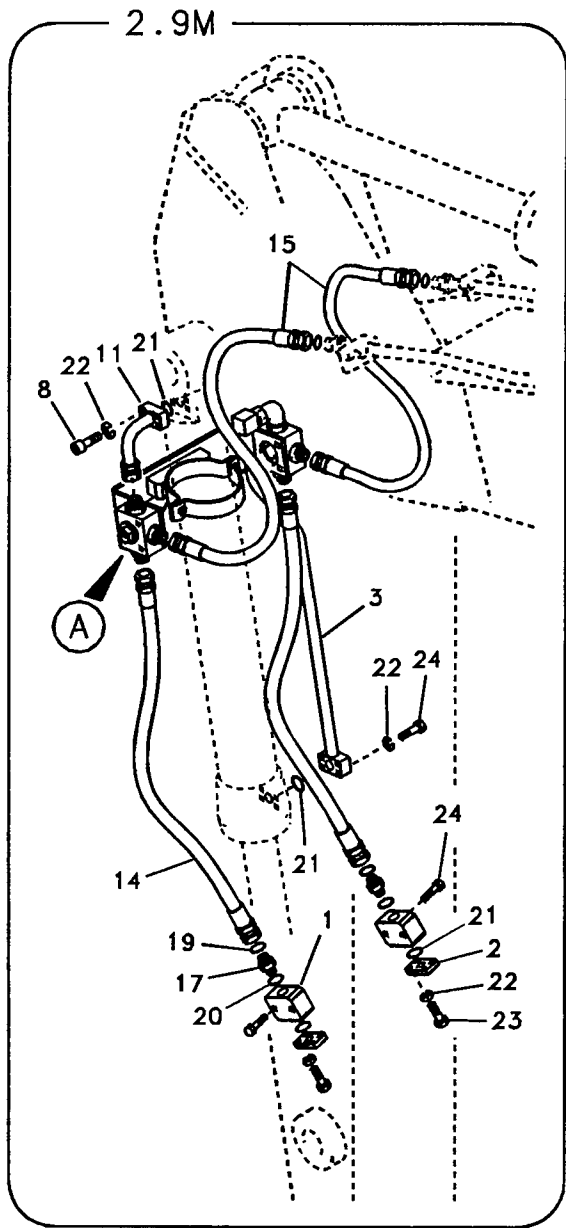


Fig.	Part No.	Quantity			P S	K I T	Description	Dénomination	Bezeichnung	품명	Denominación	Notes
		1	2	3								
28	SA 9419-21030	1	1	3			Elbow .....	Coude .....	Winkelstueck .....	엘보 .....	Coda.....	

1	8277849	<b>Hidráulica de trabajo, cazo de almeja</b> 클램셸 배관 <b>Arbeitshydraulik, Greifer</b> Hydraulique de travail, benne preneuse Working hydraulic, clamshell	Catalogue id	Group
2	8277850		<b>56141</b>	<b>916</b>
3	8277851		Illustr. No	Section
4			<b>TA258</b>	<b>4000</b>
5			Issue	Page
		<b>VOE 7414356141</b>	<b>549</b>	

**VOLVO**

**EC210B**

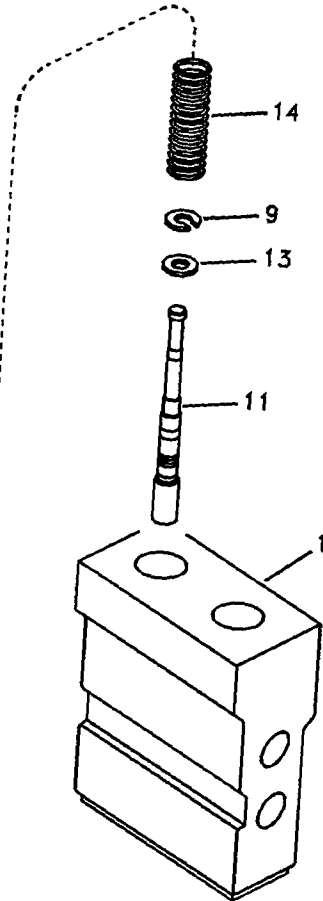
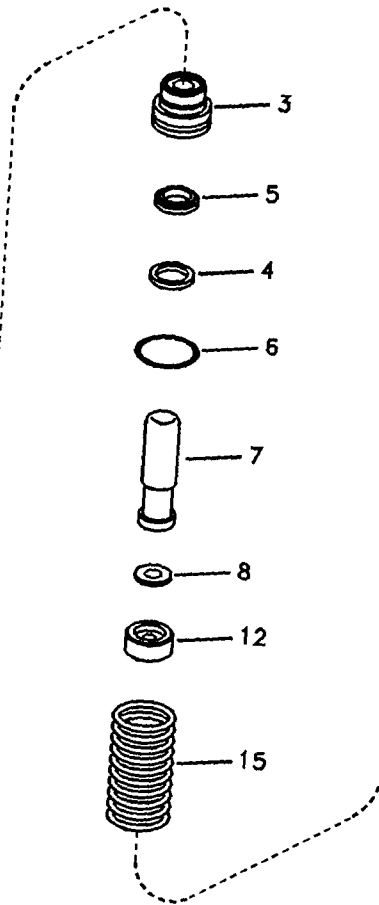
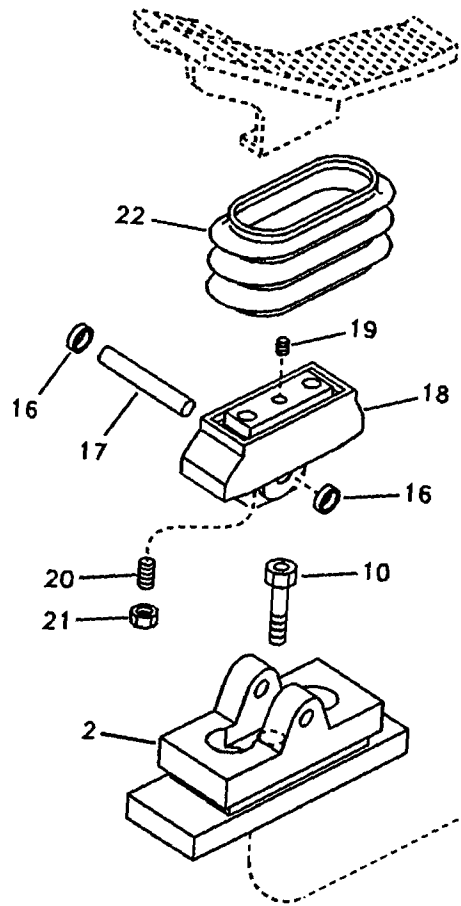


Fig.	Part No.	Quantity			P S	K T	Description	Dénomination	Bezeichnung	품명	Denominación	Notes
		1	2	3								
	<b>VOE 14511630</b>	1	1			Valve .....	Soupape.....	Ventil .....	밸브 .....	Valvula.....		
1		1	1	NS		•Casing .....	•Boitier.....	•Gehäuse .....	• 케이싱 .....	•Cubierta.....		
2	<b>SA 8230-19620</b>	1	1			•Cover .....	•Capot .....	•Haube .....	• 커버 .....	•Capo.....		
3	<b>SA 8230-19530</b>	2	2			•Plug .....	•Bouchon.....	•Stopfen .....	• 플러그 .....	•Tapon.....		
4	<b>SA 8230-20110</b>	2	2	K		•Seal .....	•Plomb.....	•Plombe.....	• 시일 .....	•Plomo.....		
5		2	2	NS K		•Scraper .....	•Racloir.....	•Abstreicher.....	• 스크레이퍼 .....	•Rascador.....		
6	<b>SA 9511-12020</b>	2	2	K		•O-ring.....	•Joint Torique .....	•O-ring.....	• 오링 .....	•Junta torica.....		
7	<b>SA 8230-19410</b>	2	2			•Bar .....	•Barre .....	•Stab .....	• 바.....	•Barra.....		
8	<b>SA 8230-19680</b>	4	4			•Washer .....	•Rondelle.....	•Scheibe .....	• 와셔 .....	•Arandela.....		
9	<b>SA 8230-19690</b>	2	2			•Washer .....	•Rondelle.....	•Scheibe .....	• 와셔 .....	•Arandela.....		
10	<b>SA 8230-19420</b>	2	2			•Screw .....	•Vis .....	•Schraube.....	• 스크류 .....	•Tornillo.....		
11		2	2	NS		•Spool .....	•Bobine.....	•Schieber.....	• 스펴 .....	•Bobina.....		
12	<b>SA 8230-19440</b>	2	2			•Seat .....	•Siege .....	•Sitz .....	• 시트 .....	•Asiento.....		
13	<b>SA 8230-19450</b>	2	2			•Washer .....	•Rondelle.....	•Scheibe .....	• 와셔 .....	•Arandela.....		
14	<b>VOE 14500149</b>	2	2			•Spring .....	•Ressort .....	•Feder.....	• 스프링 .....	•Muelle.....		
15	<b>SA 8230-19460</b>	2	2			•Spring .....	•Ressort .....	•Feder.....	• 스프링 .....	•Muelle.....		
16	<b>SA 8240-03310</b>	2	2			•Bushing.....	•Bague .....	•Buchse.....	• 부싱 .....	•Casquillo.....		
17	<b>SA 8230-19470</b>	1	1			•Camshaft .....	•Arbre a cames .....	•Nockenwelle.....	• 캠축 .....	•Eje de levas.....		
18	<b>SA 8230-19550</b>	1	1			•Cam .....	•Came .....	•Nocken.....	• 캠 .....	•Leva.....		
19	<b>SA 8240-03730</b>	1	1			•Screw .....	•Vis .....	•Schraube.....	• 스크류 .....	•Tornillo.....		
20	<b>SA 8230-19560</b>	2	2			•Screw .....	•Vis .....	•Schraube.....	• 스크류 .....	•Tornillo.....		
21	<b>SA 8230-19480</b>	2	2			•Lock Nut .....	•Contre-ecrou.....	•Sicher Mutter.....	• 록 너트 .....	•Contratuerca.....		
22	<b>SA 8230-19570</b>	1	1			•Bellows .....	•Capot Caoutcho.....	•Gummimantel.....	• 벨로즈 .....	•Cubierta Goma.....		
100	<b>SA 8130-00630</b>	1	1			Sealing Kit.....	Jeu Joints.....	Dichtungssatz .....	시일 키트 .....	Juego Retenes.....		

1	<b>8277880</b>	<b>Hidraulica de trabajo, pedal de valv. de mando a dist. para pluma ajustable</b> 원격조종밸브 페달, 조절 붐 <b>Arbeitshydraulik, Vorsteuergerät Pedal für stellbaren Ausleger</b> Hydr de travail, pédale v cde télécom. flèche réglable <b>Working hydraulic, remote control valve pedal for adjustable boom</b>	Catalogue id <b>56141</b>	Group <b>916</b>
2	<b>8278101</b>		Illustr. No <b>TA259</b>	Section <b>7000</b>
3				Issue <b>VOE 7414356141</b>
4				
5				



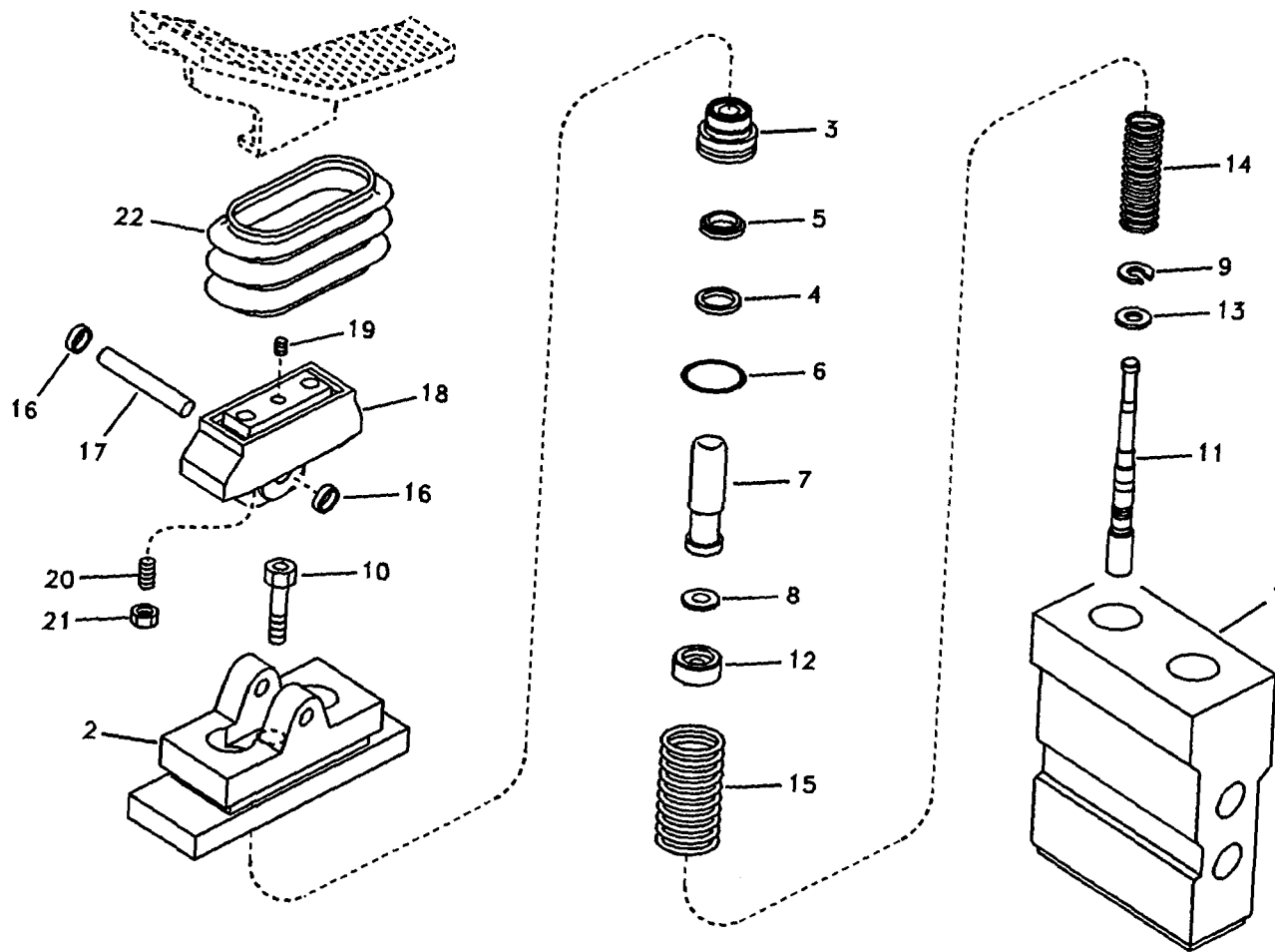


Fig.	Part No.	Quantity			P S	K I T	Description	Dénomination	Bezeichnung	품명	Denominación	Notes
		1	2	3								
	VOE 14514215	1				Rmt Cont Valve.....	Comm.a Distance .....	Fernbet Vent .....	원격조종밸브.....	Valv Contr Dist.....		
1		1			NS	•Casing .....	•Boitier.....	•Gehäuse .....	• 케이싱 .....	•Cubierta.....		
2	SA 8230-19620	1				•Cover .....	•Capot .....	•Haube .....	• 커버 .....	•Capo.....		
3	SA 8230-19530	2				•Plug .....	•Bouchon.....	•Stopfen .....	• 플러그 .....	•Tapon.....		
4	SA 8230-20110	2			K	•Seal .....	•Plomb.....	•Plombe.....	• 시일 .....	•Plomo.....		
5		2			NS K	•Scraper .....	•Racloir.....	•Abstreicher.....	• 스크레이퍼 .....	•Rascador.....		
6	SA 9511-12020	2			K	•O-ring.....	•Joint Torique.....	•O-ring.....	• 오링 .....	•Junta torica.....		
7	SA 8230-19410	2				•Bar .....	•Barre .....	•Stab .....	• 바.....	•Barra.....		
8	SA 8230-19680	4				•Washer .....	•Rondelle.....	•Scheibe.....	• 와셔 .....	•Arandela.....		
9	SA 8230-19690	2				•Washer .....	•Rondelle.....	•Scheibe.....	• 와셔 .....	•Arandela.....		
10	SA 8230-19420	2				•Screw.....	•Vis.....	•Schraube.....	• 스크류 .....	•Tornillo.....		
11		2			NS	•Spool .....	•Bobine.....	•Schieber.....	• 스펴 .....	•Bobina.....		
12	SA 8230-19440	2				•Seat .....	•Siege.....	•Sitz .....	• 시트 .....	•Asiento.....		
13	SA 8230-19450	2				•Washer .....	•Rondelle.....	•Scheibe.....	• 와셔 .....	•Arandela.....		
14	SA 8230-19610	2				•Spring .....	•Ressort .....	•Feder.....	• 스프링 .....	•Muelle.....		
15	SA 8230-19460	2				•Spring .....	•Ressort .....	•Feder.....	• 스프링 .....	•Muelle.....		
16	SA 8240-03310	2				•Bushing.....	•Bague .....	•Buchse.....	• 부싱 .....	•Casquillo.....		
17	SA 8230-19470	1				•Camshaft .....	•Arbre a cames .....	•Nockenwelle.....	• 캠축 .....	•Eje de levas.....		
18	SA 8230-19550	1				•Cam .....	•Came .....	•Nocken.....	• 캠 .....	•Leva.....		
19	SA 8240-03730	1				•Screw.....	•Vis.....	•Schraube.....	• 스크류 .....	•Tornillo.....		
20	SA 8230-19560	2				•Screw.....	•Vis.....	•Schraube.....	• 스크류 .....	•Tornillo.....		
21	SA 8230-19480	2				•Lock Nut .....	•Contre-ecrou.....	•Sicher Mutter.....	• 록 너트 .....	•Contratuerca.....		
22	SA 8230-19570	1				•Bellows .....	•Capot Caoutcho.....	•Gummimantel.....	• 벨로즈 .....	•Cubierta Goma.....		
100	SA 8130-00630	1				Sealing Kit.....	Jeu Joints.....	Dichtungssatz.....	시일 키트 .....	Juego Retenes.....		

1	8278547	<b>Hidráulica de trabajo, pedal de válv. de mando a dist. para</b> 원격조종밸브 페달 , 해머 및 시어 <b>Arbeitshydraulik, Vorsteuergerät Pedal für Hammer und Schere</b> Hydr de travail, pédale v cde télécom. marteau et cisaille <b>Working hydraulic, remote control valve pedal for hammer and shear</b>	Catalogue id	Group
2			<b>56141</b>	<b>916</b>
3			Illustr. No	Section
4			<b>TA260</b>	<b>7100</b>
5			Issue	Page
			<b>VOE 7414356141</b>	<b>553</b>

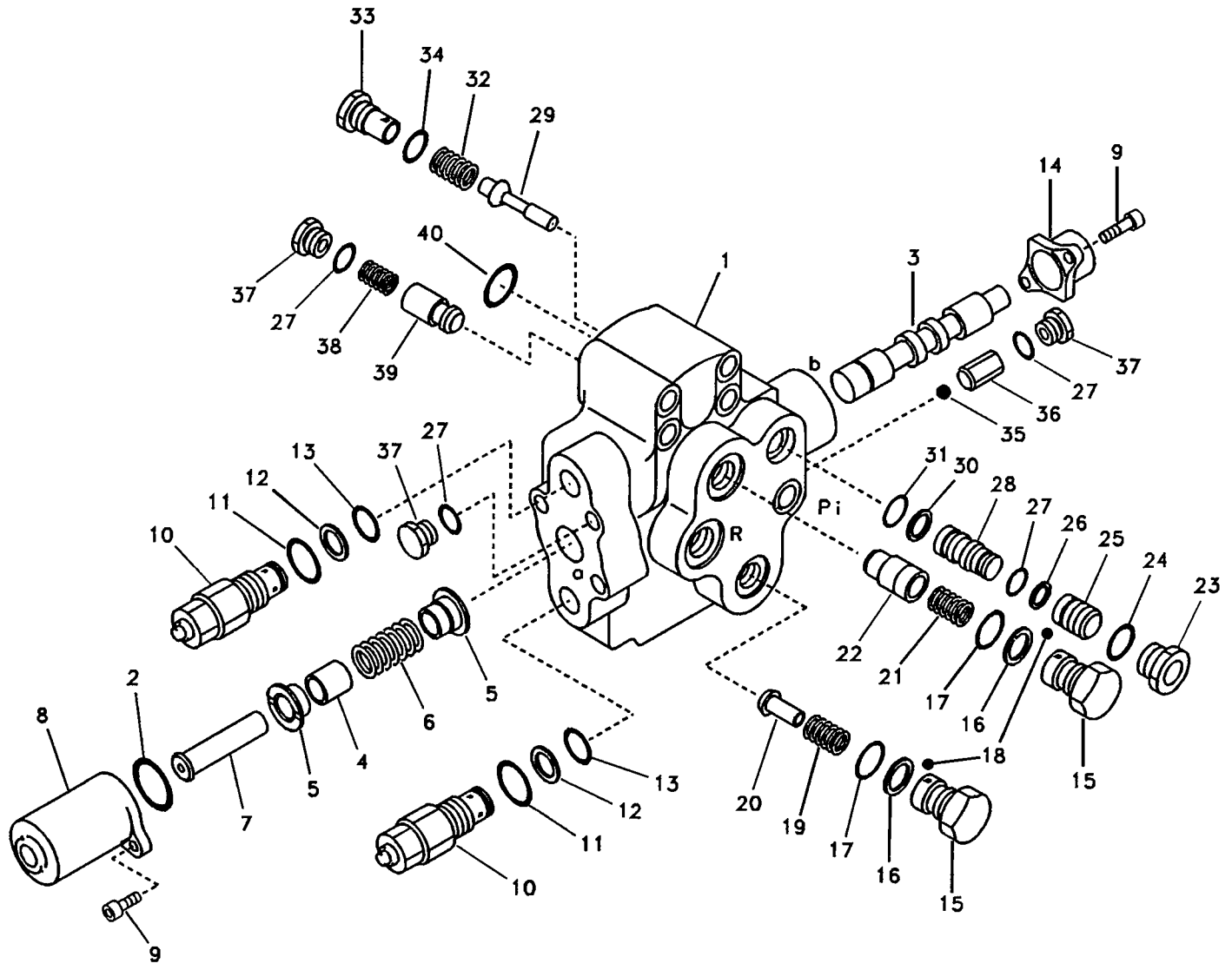


Fig.	Part No.	Quantity			P S	K T	Description	Dénomination	Bezeichnung	품명	Denominación	Notes
		1	2	3								
1	SA 1174-53720	1	1			Valve .....	Soupape.....	Ventil .....	밸브 .....	Valvula.....		
2	SA 8230-00210	2	2	NS		•Housing .....	•Carter.....	•Gehäuse .....	•하우징 .....	•Carter.....		
3		1	1	SS K		•O-ring .....	•Joint Torique .....	•O-ring .....	•오링 .....	•Junta torica.....		
4	VOE 14500403	1	1	NS		•Plunger .....	•Plongeur .....	•Plunger.....	•플런저 .....	•Piston.....		
5	VOE 14500404	1	1			••Spacer .....	••Partie Interme.....	••Zwischenstück.....	• 스페이서 .....	••Espaciador.....		
6	VOE 14500405	1	1			••Guide .....	••Rail .....	••Führung .....	• 가이드 .....	••Guia.....		
7	SA 8230-11690	1	1			••Spring .....	••Ressort .....	••Feder .....	• 스프링 .....	••Muelle.....		
8	SA 8230-10460	1	1			••Cap .....	••Chapeau .....	••Kappe .....	• 캡 .....	••Caperuza.....		
9	SA 8230-23010	4	4			•Cover .....	•Capot .....	•Haube .....	•커버 .....	•Capo.....		
10	VOE 14500406	2	2			•Bolt .....	•Boulon.....	•Bolzen.....	•볼트 .....	•Perno.....		
11	SA 8230-00400	1	1			•Relief Valve .....	•Limiteur - pression ...	•Druckbegrenzer .....	• 릴리프 밸브 .....	•Limitador presion.....		
12	SA 9566-10160	1	1	SS K		••O-ring .....	••Joint Torique.....	••O-ring.....	• 오링 .....	••Junta torica.....		
13	SA 9511-12016	1	1	K		••Ring .....	••Anneau .....	••Ring.....	• 링 .....	••Anillo.....		
14	VOE 14500407	1	1	K		••O-ring .....	••Joint Torique.....	••O-ring.....	• 오링 .....	••Junta torica.....		
15	VOE 14500408	2	2			•Cover .....	•Capot .....	•Haube .....	•커버 .....	•Capo.....		
16	SA 9566-1022A	2	2			•Cap .....	•Chapeau .....	•Kappe .....	• 캡 .....	•Caperuza.....		
17	SA 9511-1222A	2	2	K		•Ring .....	•Anneau .....	•Ring.....	• 링 .....	•Anillo.....		
18	SA 8230-02880	2	2	K		•O-ring.....	•Joint Torique .....	•O-ring.....	• 오링 .....	•Junta torica.....		
19	SA 8230-10360	1	1			•Adhesive .....	•Adhesif.....	•Klebstoff.....	• 접착제 .....	•Adhesivo.....		
20	SA 8230-11210	1	1			•Spring .....	•Ressort .....	•Feder.....	• 스프링 .....	•Muelle.....		
21	SA 8230-12960	1	1			•Check valve .....	•Valve antiretour.....	•Rückschlagventil.....	• 체크 밸브 .....	•Valvula retencion.....		
22	SA 8230-11300	1	1			•Spring .....	•Ressort .....	•Feder.....	• 스프링 .....	•Muelle.....		
23	SA 8230-37030	1	1			•Valve.....	•Soupape .....	•Ventil.....	• 밸브 .....	•Valvula.....		
24	SA 9511-12018	1	1			•Cap .....	•Chapeau .....	•Kappe .....	• 캡 .....	•Caperuza.....		
25	VOE 14500409	1	1	K		•O-ring.....	•Joint Torique .....	•O-ring.....	• 오링 .....	•Junta torica.....		
26	SA 9566-10080	1	1			•Piston.....	•Piston.....	•Kolben.....	• 피스톤 .....	•Piston.....		
27	SA 9511-12008	4	4	K		•Ring .....	•Anneau .....	•Ring.....	• 링 .....	•Anillo.....		
28	SA 8230-35950	1	1	K		•O-ring.....	•Joint Torique .....	•O-ring.....	• 오링 .....	•Junta torica.....		
29	SA 8230-35870	1	1			•Sleeve.....	•Manchon .....	•Muffe.....	• 슬리브 .....	•Manguito.....		
						•Stay .....	•Tirant.....	•Strebe .....	• 스테이 .....	•Barra.....		

1	8277880	<b>Hidráulica de trabajo, pluma ajustable, valvula control</b> 제어밸브, 조절 붐 <b>Arbeitshydraulik, stellbarer Ausleger, Steurventil</b> <b>Hydraulique de travail, flèche réglable, valve controle</b> <b>Working hydraulic, adjustable boom control valve</b>	Catalogue id	Group
2	8278101		56141	916
3			Illustr. No	Section
4			TA261	7200
5			Issue	Page
			VOE 7414356141	555

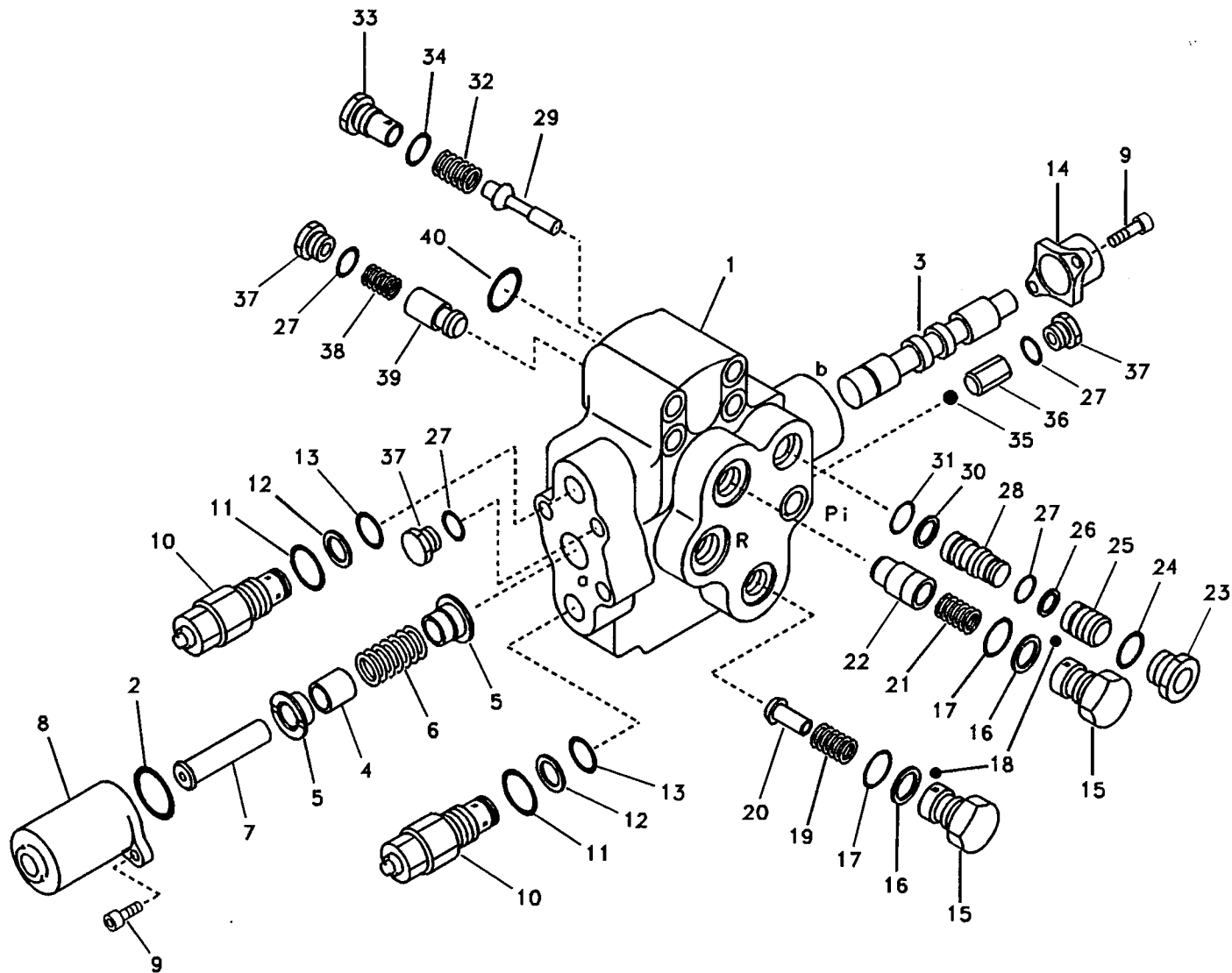


Fig.	Part No.	Quantity			P S	K I T	Description	Dénomination	Bezeichnung	품명	Denominación	Notes
		1	2	3								
30	SA 9566-10100	1	1			K •Ring .....	•Anneau .....	•Ring.....	•링.....	•Anillo.....		
31	SA 9511-12010	1	1			•O-ring.....	•Joint Torique.....	•O-ring.....	•오링.....	•Junta torica.....		
32	SA 8230-36080	1	1			•Spring .....	•Ressort .....	•Feder.....	•스프링.....	•Muelle.....		
33	SA 8230-35970	1	1			•Cap .....	•Chapeau .....	•Kappe .....	•캡.....	•Caperuza.....		
34	SA 9511-12014	1	1			•O-ring.....	•Joint Torique.....	•O-ring.....	•오링.....	•Junta torica.....		
35	SA 9676-14000	1	1			•Ball.....	•Bille .....	•Kugel.....	•볼.....	•Bola.....		
36	VOE 14500410	1	1			•Seal .....	•Plomb.....	•Plombe.....	•시일.....	•Plomo.....		
37	SA 8230-01150	3	3			•Cap .....	•Chapeau .....	•Kappe .....	•캡.....	•Caperuza.....		
38	VOE 14500411	1	1			•Spring .....	•Ressort .....	•Feder.....	•스프링.....	•Muelle.....		
39	VOE 14500412	1	1			•Check valve .....	•Valve antiretour.....	•Rückschlagventil.....	•체크 밸브.....	•Valvula retencion.....		
40	SA 9512-02219	1	1			•O-ring.....	•Joint Torique.....	•O-ring.....	•오링.....	•Junta torica.....		
100	VOE 14500413	1	1			Sealing Kit.....	Jeu Joints.....	Dichtungssatz.....	시일 키트.....	Juego Retenes.....		

1	8277880	<b>Hidráulica de trabajo, pluma ajustable, valvula control</b> 제어밸브, 조절 붐 <b>Arbeitshydraulik, stellbarer Ausleger, Steurventil</b> <b>Hydraulique de travail, flèche réglable, valve controle</b> <b>Working hydraulic, adjustable boom control valve</b>	Catalogue id	Group
2	8278101		<b>56141</b>	<b>916</b>
3			Illustr. No	Section
4			<b>TA261</b>	<b>7200</b>
5			Issue	Page
			<b>VOE 7414356141</b>	<b>557</b>

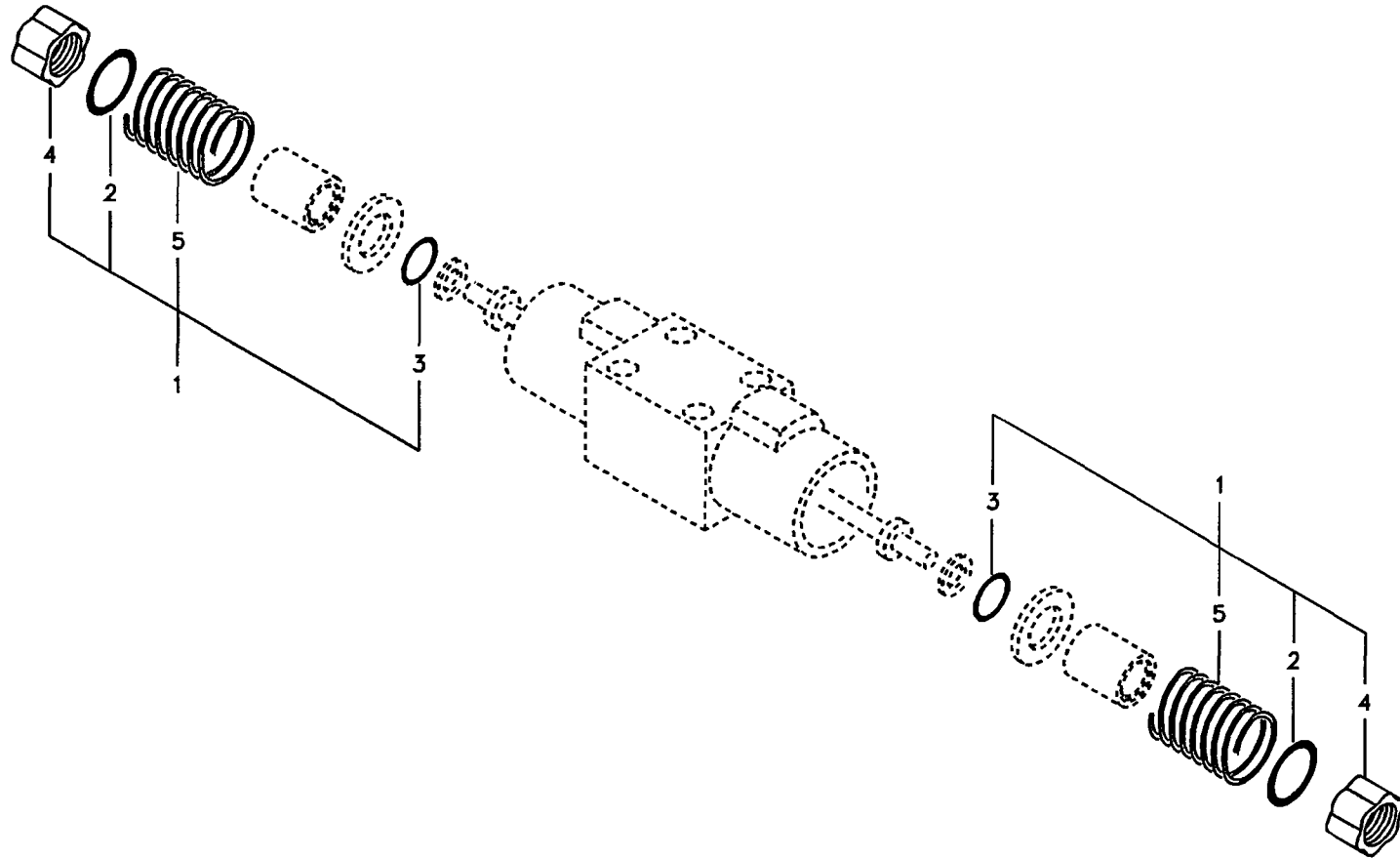


Fig.	Part No.	Quantity			P S	K I T	Description	Dénomination	Bezeichnung	품명	Denominación	Notes
		1	2	3								
	<b>VOE 14505324</b>	1	1			Solenoid Valve .....	Vanne electrom.....	Magnetventil.....	솔레노이드 밸브 .....	Electrovalvula.....		
1	<b>VOE 14512987</b>	1	1			•Set .....	•Jeu .....	•Satz.....	• 세트 .....	•Juego.....		
2		1	1	NS		••O-ring .....	••Joint Torique.....	••O-ring.....	•• 오링 .....	••Junta torica.....		
3		1	1	NS		••O-ring .....	••Joint Torique.....	••O-ring.....	•• 오링 .....	••Junta torica.....		
4		1	1	NS		••Nut.....	••Ecrou .....	••Mutter .....	•• 너트 .....	••Tuerca.....		
5		1	1	NS		••Coil .....	••Spirale .....	••Spirale .....	•• 코일 .....	••Espiral.....		

1	<b>8277855</b>	<b>Hidráulica de trabajo, válvula de solenoide</b> 유압 배관 , 솔레노이드 밸브 <b>Arbeitshydraulik, Solenoidventil</b> <b>Hydraulique de travail, soupape de solenoide</b> <b>Working hydraulic, solenoid valve</b>	Catalogue id	Group
2	<b>8277856</b>		<b>56141</b>	<b>916</b>
3			Illustr. No	Section
4			<b>TA262</b>	<b>7300</b>
5			Issue	Page
			<b>VOE 7414356141</b>	<b>559</b>



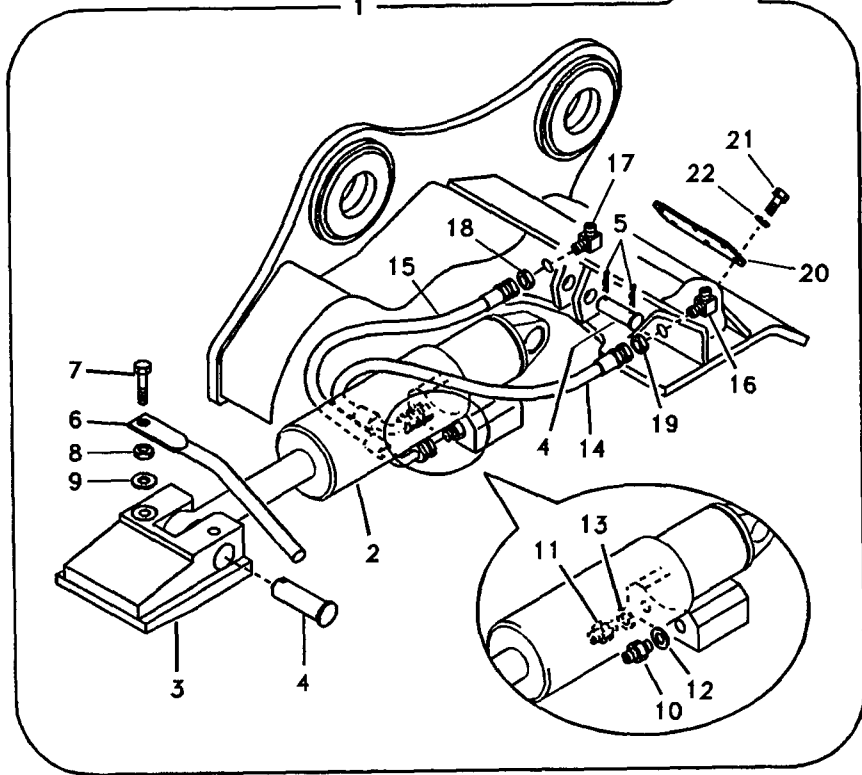
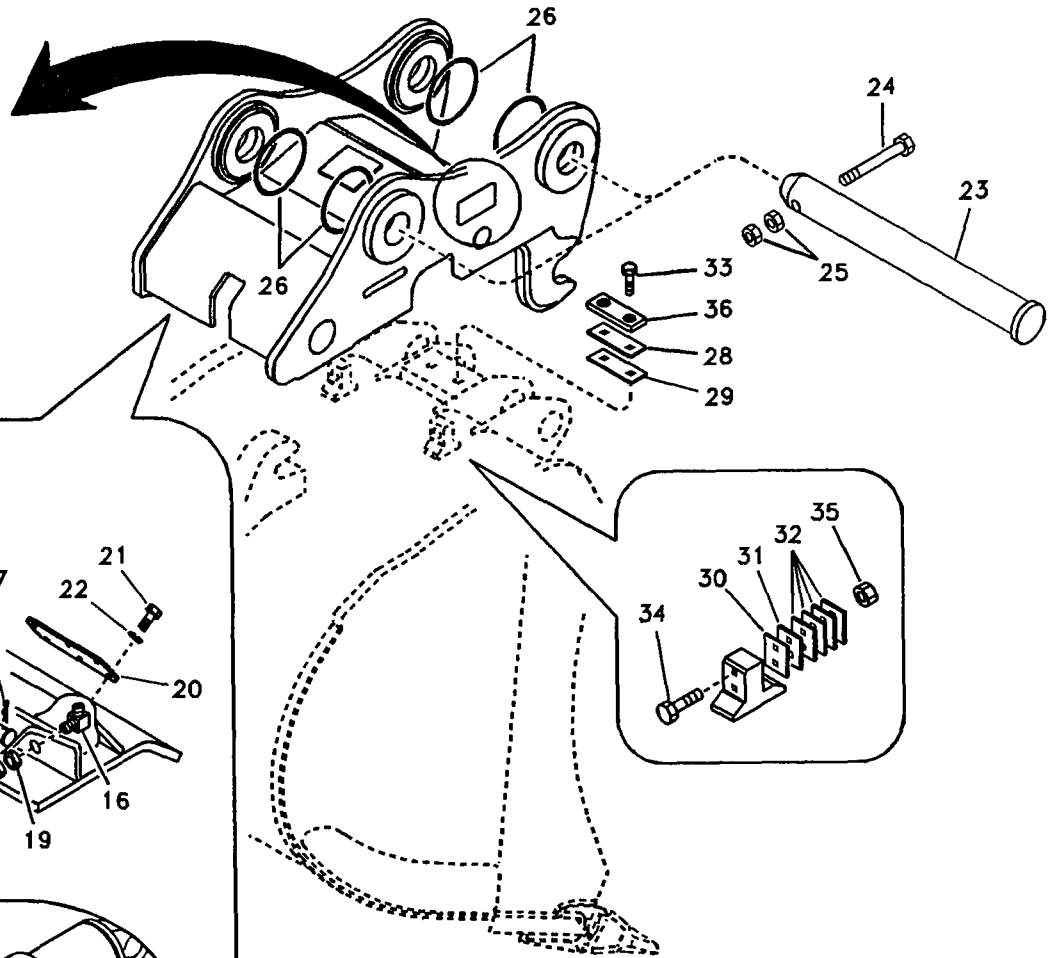
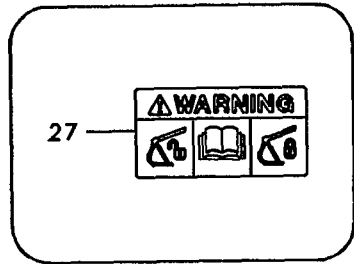


Fig.	Part No.	Quantity			P S	K I T	Description	Dénomination	Bezeichnung	품명	Denominación	Notes
		1	2	3								
1	SA 1171-73012	1				Quick attachment.....	Fixation rapide .....	Schnellkupplung.....	퀵 핏 어태치먼트.....	Acoplamiento rapido..	Quick fit S1	
		1			NS	•Quick attachment.....	•Fixation rapide .....	•Schnellkupplung.....	•퀵 핏 어태치먼트.....	•Acoplamiento rapido.		
2	SA 1171-90620	1				•Cylinder .....	•Verin .....	•Zylinder .....	•실린더 .....	•Cilindra.....	See group 924, Page 583	
3	SA 1171-75010	1				•Key .....	•Clavette.....	•Keil.....	•키.....	•Llave (cuna).....		
4	SA 1171-75021	2				•Pin .....	•Goupille.....	•Zapfen.....	•핀.....	•Pasador.....		
5	SA 9323-05922	2				•Split Pin .....	•Goupille Fendue .....	•Splint.....	•분할 핀 .....	•Chaveta Hendida.....		
6	SA 1171-75030	1				•Stay .....	•Tirant.....	•Strebe .....	•스테이 .....	•Barra.....		
7	SA 9011-10807	1				•Bolt .....	•Boulon.....	•Bolzen.....	•볼트 .....	•Perno.....		
8	VOE 983303	1				•Nut .....	•Ecrou .....	•Mutter.....	•너트 .....	•Tuerca.....		
9	SA 9211-10000	1				•Washer .....	•Rondelle.....	•Scheibe .....	•와셔 .....	•Arandela.....		
10	SA 9412-22020	1				•Connector .....	•Raccord .....	•Anschluss.....	•커넥터 .....	•Union.....		
11	SA 9412-22050	1				•Connector .....	•Raccord .....	•Anschluss.....	•커넥터 .....	•Union.....		
12	SA 9426-20040	1				•Gasket .....	•Joint .....	•Dichtung.....	•가스켓 .....	•Junta.....		
13	SA 9426-20050	1				•Gasket .....	•Joint .....	•Dichtung.....	•가스켓 .....	•Junta.....		
14	SA 9459-05130	1				•Hose .....	•Durit .....	•Schlauch .....	•호스 .....	•Tubo flexible.....		
15	SA 9459-05110	1				•Hose .....	•Durit .....	•Schlauch .....	•호스 .....	•Tubo flexible.....		
16	SA 9411-95940	1				•Elbow .....	•Coude .....	•Winkelstueck.....	•엘보 .....	•Codo.....		
17	SA 9411-95950	1				•Elbow .....	•Coude .....	•Winkelstueck.....	•엘보 .....	•Codo.....		
18	SA 2043-00120	1				•Nut .....	•Ecrou .....	•Mutter.....	•너트 .....	•Tuerca.....		
19	SA 1040-80490	1				•Nut .....	•Ecrou .....	•Mutter.....	•너트 .....	•Tuerca.....		
20	SA 1171-75290	1				•Cover .....	•Capot .....	•Haube .....	•커버 .....	•Capo.....		
21	VOE 983242	4				•Screw.....	•Vis.....	•Schraube.....	•스크류 .....	•Tornillo.....		
22	VOE 955921	4				•Spring Washer.....	•Rondelle ressort.....	•Federscheibe .....	•스프링 와셔 .....	•Arandela resorte.....		
23	VOE 14512676	2				Pin.....	Goupille.....	Zapfen .....	핀 .....	Pasador.....		
24	SA 9011-21623	2				Bolt.....	Boulon.....	Bolzen.....	볼트 .....	Perno.....		
25	VOE 979021	4				Nut .....	Ecrou.....	Mutter .....	너트 .....	Tuerca.....		
26	SA 9524-00127	4				Ring.....	Anneau.....	Ring.....	링 .....	Anillo.....		
27	SA 1192-02890	1				Decal.....	Decalcomanie .....	Abziehbild .....	데칼 .....	Decalcomania.....		
28	SA 1171-75110		3			Shim.....	Cale Reglage .....	Nachstellblech .....	심 .....	Cuna de calzar.....		
29	SA 1171-75120		3			Shim.....	Cale Reglage .....	Nachstellblech .....	심 .....	Cuna de calzar.....		

1	8277855	<b>Portaimplemento, enganche rápido</b> 작업장치 브라켓 , 퀵 핏 <b>Geräteträger, Schnellwechsler</b> <b>Fixation, raccord rapide</b> <b>Attachment bracket, quickfit</b>	Catalogue id	Group
2	8277887		<b>56141</b>	<b>924</b>
3			Illustr. No	Section
4			<b>TA263</b>	<b>100</b>
5			Issue	Page
			<b>VOE 7414356141</b>	<b>561</b>

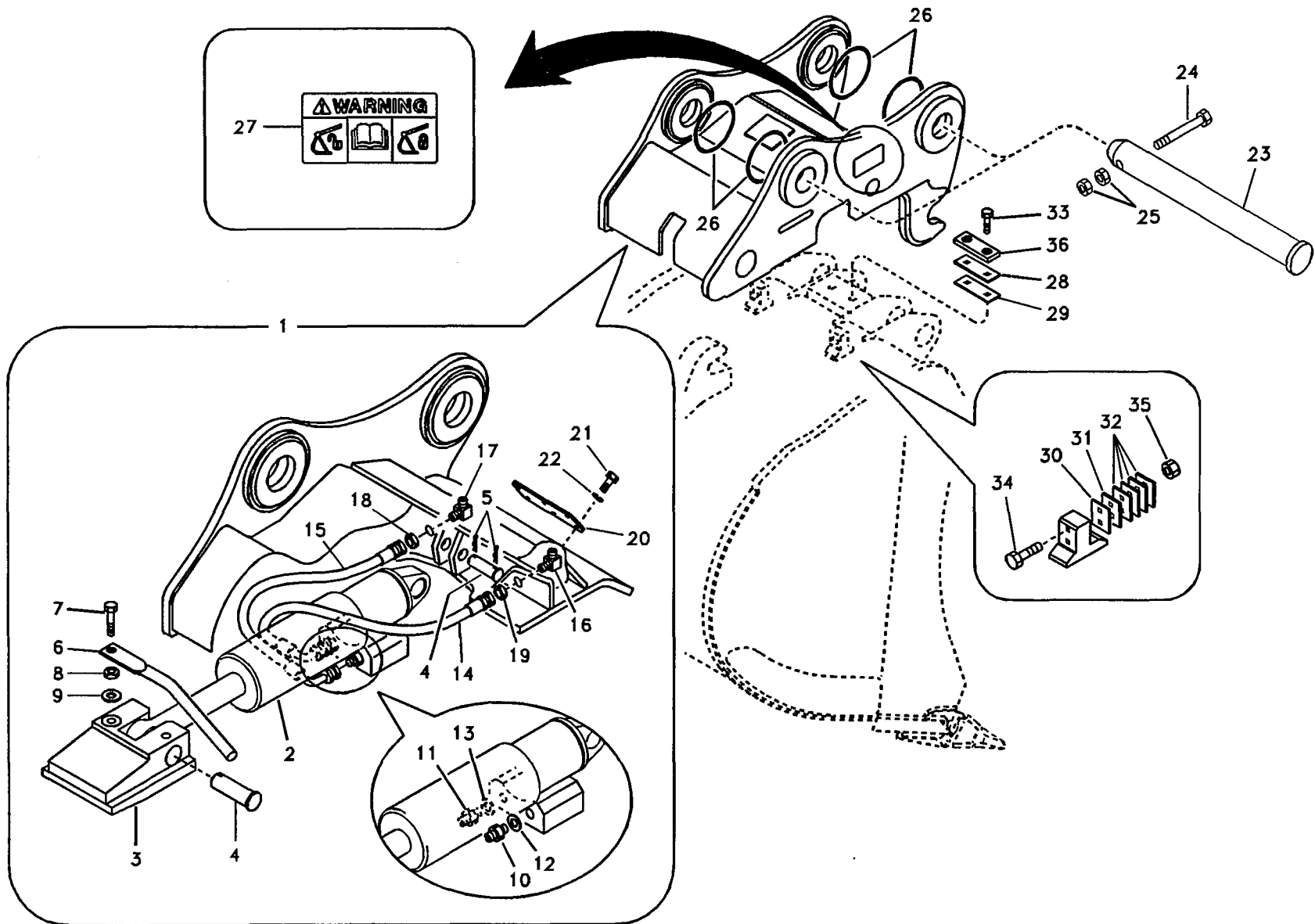


Fig.	Part No.	Quantity			P S	K I T	Description	Dénomination	Bezeichnung	품명	Denominación	Notes
		1	2	3								
30	SA 1171-75330		2			Shim.....	Rondelle ajustement ..	Passscheibe .....	심.....	Arandela Ajuste.....		
31	SA 1171-75340		2			Shim.....	Rondelle ajustement ..	Passscheibe .....	심.....	Arandela Ajuste.....		
32	SA 1171-75360		8			Shim.....	Rondelle ajustement ..	Passscheibe .....	심.....	Arandela Ajuste.....		
33	SA 1171-75210		6			Bolt.....	Boulon.....	Bolzen.....	볼트.....	Perno.....		
34	SA 9011-12413		2			Bolt.....	Boulon.....	Bolzen.....	볼트.....	Perno.....		
35	VOE 980521		2			Nut .....	Ecrou.....	Mutter .....	너트.....	Tuerca.....		
36	SA 1171-75040		3			Spacer.....	Partie Interne. ....	Zwischenstück .....	스페이서.....	Espaciador.....		

1	8277855	<b>Portaimplemento, enganche rápido</b> 작업장치 브라켓 , 퀵 핏 <b>Geräteträger, Schnellwechsler</b> <b>Fixation, raccord rapide</b> <b>Attachment bracket, quickfit</b>	Catalogue id	Group
2	8277887		<b>56141</b>	<b>924</b>
3			Illustr. No	Section
4			<b>TA263</b>	<b>100</b>
5			Issue	Page
			<b>VOE 7414356141</b>	<b>563</b>

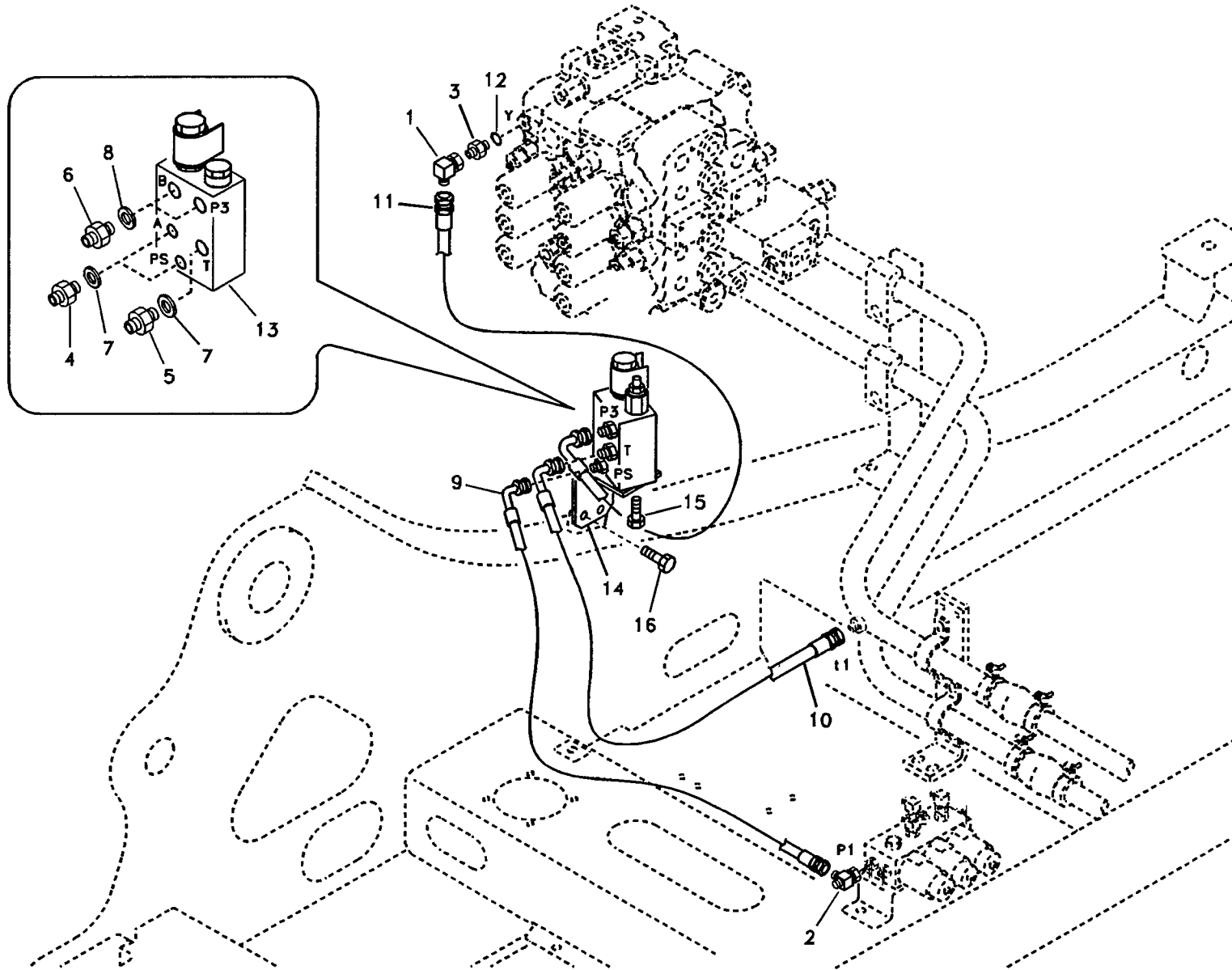


Fig.	Part No.	Quantity			P S	K I T	Description	Dénomination	Bezeichnung	품명	Denominación	Notes
		1	2	3								
1	SA 9411-90490	1				Elbow .....	Coude .....	Winkelstueck .....	엘보 .....	Codo.....		
2	SA 9411-95440	1				Tee.....	Connexion en T.....	T-stuck.....	티 .....	Acoplamiento T.....		
3	SA 9412-11290	1				Connector .....	Raccord.....	Anschluss .....	커넥터 .....	Union.....		
4	SA 9412-22020	2				Connector .....	Raccord.....	Anschluss .....	커넥터 .....	Union.....		
5	SA 9412-22030	1				Connector .....	Raccord.....	Anschluss .....	커넥터 .....	Union.....		
6	SA 9412-22050	2				Connector .....	Raccord.....	Anschluss .....	커넥터 .....	Union.....		
7	SA 9426-20040	3				Gasket.....	Joint .....	Dichtung .....	가스켓 .....	Junta.....		
8	SA 9426-20050	2				Gasket.....	Joint .....	Dichtung .....	가스켓 .....	Junta.....		
9	SA 9453-02225	1				Hose.....	Durit .....	Schlauch .....	호스 .....	Tubo flexible.....		
10	SA 9453-03212	1				Hose.....	Durit .....	Schlauch .....	호스 .....	Tubo flexible.....		
11	SA 9453-03628	1				Hose.....	Durit .....	Schlauch .....	호스 .....	Tubo flexible.....		
12	SA 9511-12011	1				O-ring .....	Joint Torique .....	O-ring .....	오링 .....	Junta torica.....		
13	VOE 14503696	1				Valve .....	Soupape.....	Ventil .....	밸브 .....	Valvula.....	See group 924, Page 585	
14	VOE 14509019	1				Bracket.....	Console .....	Konsole .....	브라켓 .....	Ménsula.....		
15	VOE 946173	2				Screw .....	Vis .....	Schraube .....	스크류 .....	Tornillo.....		
16	VOE 946329	2				Flange Screw .....	Vis A Bride .....	Flanschschraube .....	플랜지 스크류 .....	Torn Embridado.....		

1	8277870	<b>Hidráulica de trabajo, acoplamiento rapido en la bastidor alto</b> 유압 배관 , 상부 프레임측 퀵 피트 <b>Arbeitshydraulik, Schnellwechsler auf obere Rahmen</b> <b>Hydraulique de travail, fixation rapide sur châssis supérieur</b> <b>Working hydraulic, quick fit on upper frame</b>	Catalogue id	Group
2			<b>56141</b>	<b>924</b>
3			Illustr. No	Section
4			<b>TA264</b>	<b>200</b>
5			Issue	Page
			<b>VOE 7414356141</b>	<b>565</b>

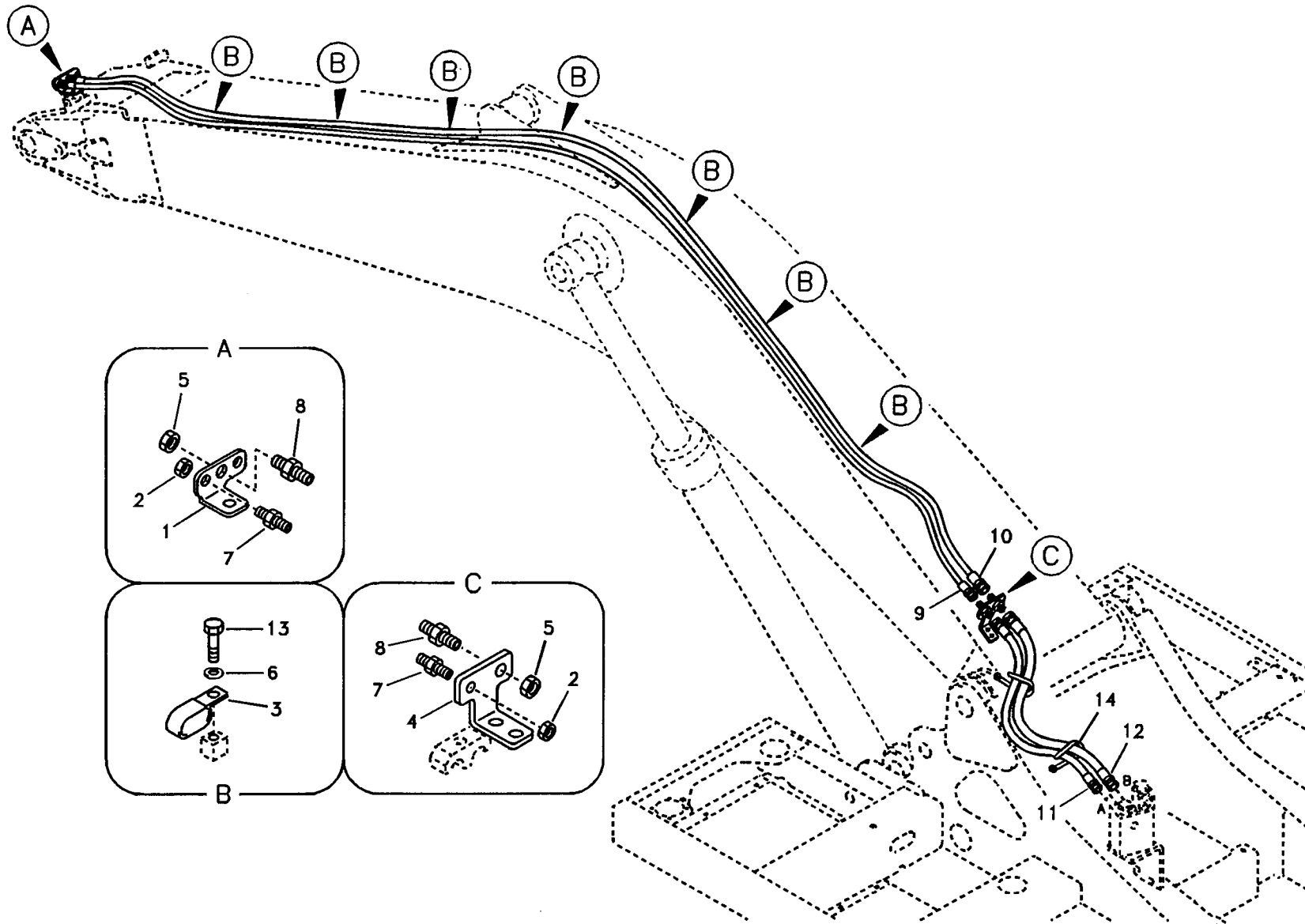


Fig.	Part No.	Quantity			P S	K I T	Description	Dénomination	Bezeichnung	품명	Denominación	Notes
		1	2	3								
1	SA 1174-53330	1				Plate .....	Plaque .....	Platte .....	플레이트 .....	Placa.....		
2	SA 1040-80490	2				Nut .....	Ecrou.....	Mutter .....	너트 .....	Tuerca.....		
3	VOE 14515524	6				Clip.....	Clip.....	Klemme .....	클립 .....	Clip.....		
4	VOE 14511253	1				Plate .....	Plaque.....	Platte .....	플레이트 .....	Placa.....		
5	SA 2043-00120	2				Nut .....	Ecrou.....	Mutter .....	너트 .....	Tuerca.....		
6	SA 9211-10000	6				Washer.....	Rondelle.....	Scheibe .....	와셔 .....	Arandela.....		
7	SA 9416-11091	2				Connector .....	Raccord.....	Anschluss .....	커넥터 .....	Union.....		
8	SA 9416-11101	2				Connector .....	Raccord.....	Anschluss .....	커넥터 .....	Union.....		
9	SA 9466-02619	1				Hose.....	Durit .....	Schlauch .....	호스 .....	Tubo flexible.....		
10	SA 9466-03619	1				Hose.....	Durit .....	Schlauch .....	호스 .....	Tubo flexible.....		
11	SA 9451-02627	1				Hose.....	Durit .....	Schlauch .....	호스 .....	Tubo flexible.....		
12	SA 9451-03627	1				Hose.....	Durit .....	Schlauch .....	호스 .....	Tubo flexible.....		
13	VOE 983250	6				Screw .....	Vis .....	Schraube .....	스크류 .....	Tornillo.....		
14	SA 9314-02300	13				Strip Clamp .....	Ruban Serrage.....	Bandklammer .....	스트립 클램프 .....	Abraz Cinta.....		

1	8277871	<b>Hidráulica de trabajo, acoplamiento rapido en la pluma</b> 유압 배관 , 붐측 퀵 핏 <b>Arbeitshydraulik, Schnellwechsler auf Ausleger</b> <b>Hydraulique de travail, fixation rapide sur flèche</b> <b>Working hydraulic, quick fit on boom</b>	Catalogue id	Group
2			<b>56141</b>	<b>924</b>
3			Illustr. No	Section
4			<b>TA265</b>	<b>400</b>
5			Issue	Page
			<b>VOE 7414356141</b>	<b>567</b>



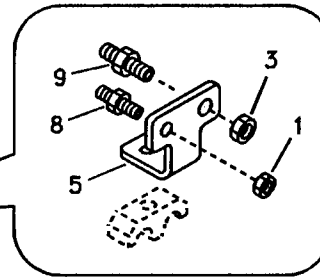
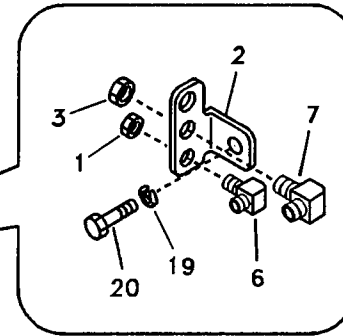
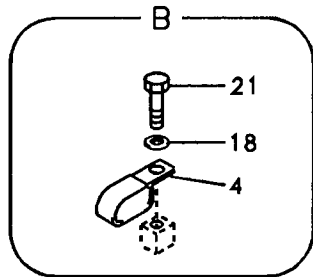
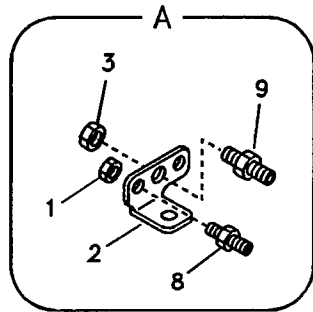
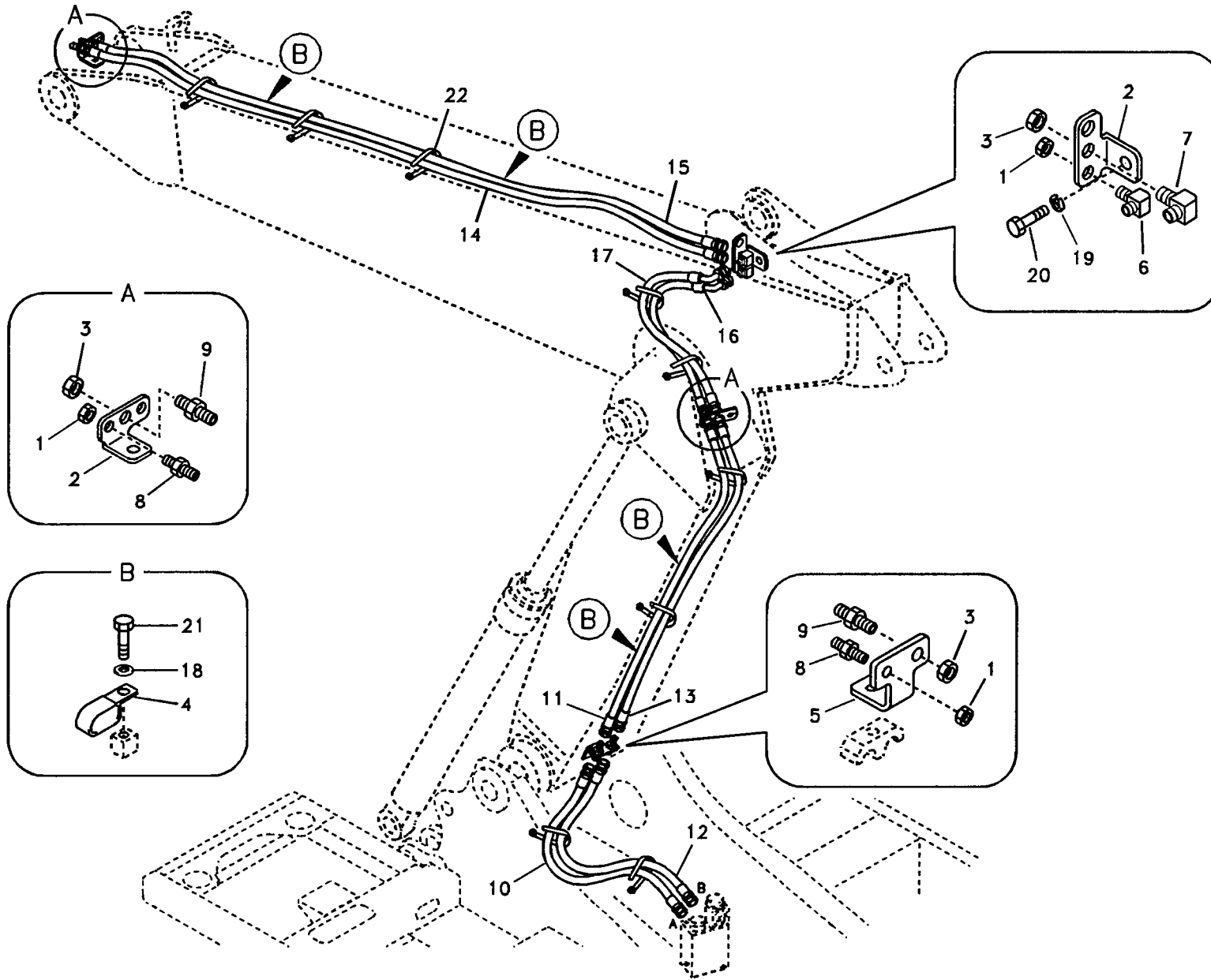
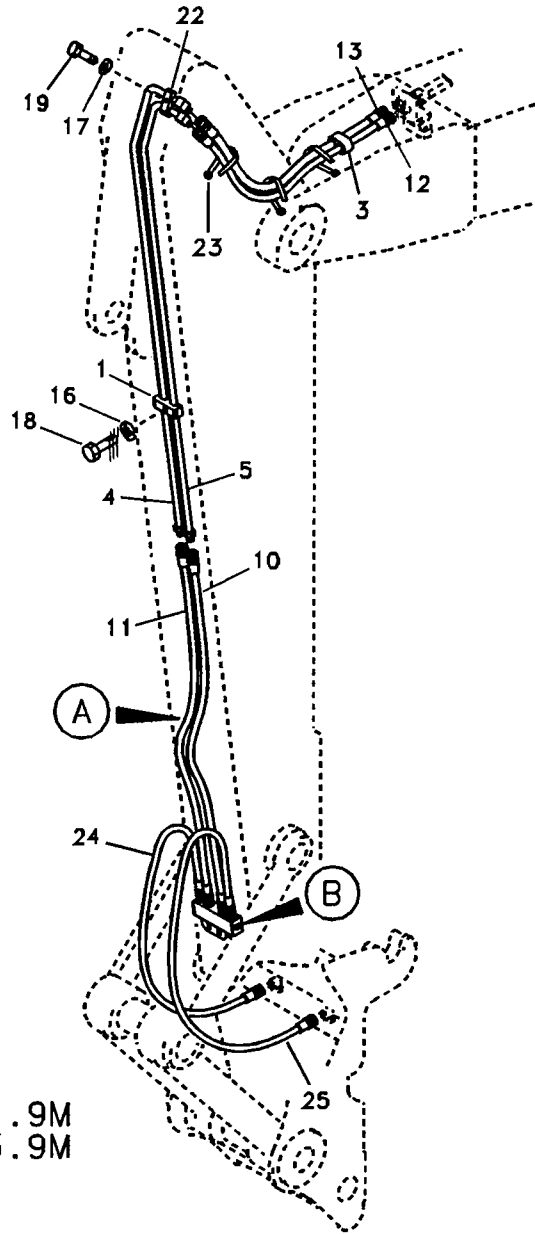
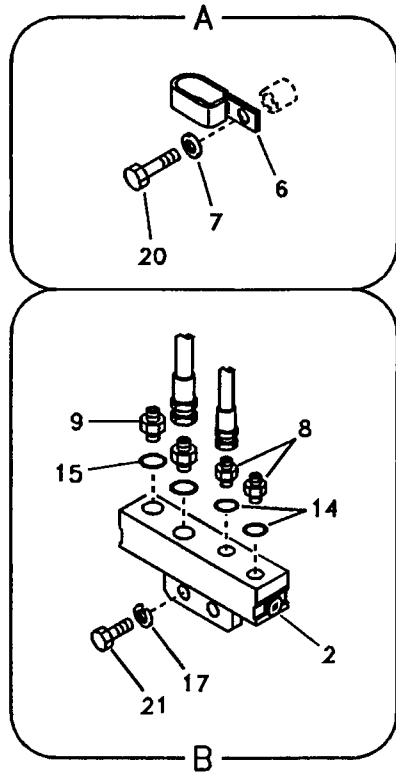
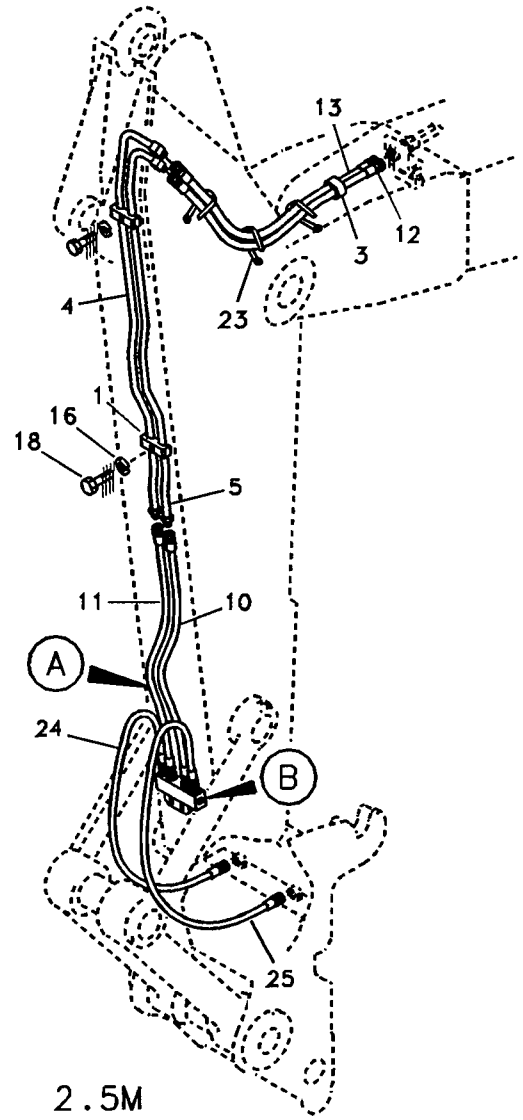


Fig.	Part No.	Quantity			P S	K I T	Description	Dénomination	Bezeichnung	품명	Denominación	Notes
		1	2	3								
1	SA 1040-80490	4				Nut .....	Ecrou.....	Mutter .....	너트 .....	Tuerca.....		
2	SA 1174-53330	3				Plate.....	Plaque.....	Platte .....	플레이트.....	Placa.....		
3	SA 2043-00120	4				Nut .....	Ecrou.....	Mutter .....	너트 .....	Tuerca.....		
4	VOE 14515524	4				Clip.....	Clip.....	Klemme .....	클립 .....	Clip.....		
5	VOE 14511253	1				Plate.....	Plaque.....	Platte .....	플레이트.....	Placa.....		
6	SA 9411-95940	1				Elbow .....	Coude .....	Winkelstueck .....	엘보 .....	Codo.....		
7	SA 9411-95950	1				Elbow .....	Coude .....	Winkelstueck .....	엘보 .....	Codo.....		
8	SA 9416-11091	3				Connector .....	Raccord.....	Anschluss .....	커넥터 .....	Union.....		
9	SA 9416-11101	3				Connector .....	Raccord.....	Anschluss .....	커넥터 .....	Union.....		
10	SA 9451-02627	1				Hose.....	Durit .....	Schlauch .....	호스 .....	Tubo flexible.....		
11	SA 9451-02652	1				Hose.....	Durit .....	Schlauch .....	호스 .....	Tubo flexible.....		
12	SA 9451-03627	1				Hose.....	Durit .....	Schlauch .....	호스 .....	Tubo flexible.....		
13	SA 9451-03652	1				Hose.....	Durit .....	Schlauch .....	호스 .....	Tubo flexible.....		
14	SA 9451-02656	1				Hose.....	Durit .....	Schlauch .....	호스 .....	Tubo flexible.....		
15	SA 9451-03656	1				Hose.....	Durit .....	Schlauch .....	호스 .....	Tubo flexible.....		
16	SA 9453-02618	1				Hose.....	Durit .....	Schlauch .....	호스 .....	Tubo flexible.....		
17	SA 9453-03618	1				Hose.....	Durit .....	Schlauch .....	호스 .....	Tubo flexible.....		
18	SA 9211-10000	4				Washer.....	Rondelle.....	Scheibe .....	와셔 .....	Arandela.....		
19	VOE 955926	1				Spring Washer .....	Rondelle ressort.....	Federscheibe.....	스프링 와셔 .....	Arandela resorte.....		
20	VOE 978936	1				Screw .....	Vis .....	Schraube .....	스크류 .....	Tornillo.....		
21	VOE 983250	4				Screw .....	Vis .....	Schraube .....	스크류 .....	Tornillo.....		
22	SA 9314-02300	15				Strip Clamp .....	Ruban Serrage.....	Bandklammer .....	스트립 클램프 .....	Abraz Cinta.....		

1	8277872	<b>Hidráulica de trabajo, acoplamiento rapido en la pluma ajustable</b> 유압 배관 , 조절 붐측 클램프 <b>Arbeitshydraulik, Schnellwechsler auf Verstellausleger</b> <b>Hydraulique de travail, fixation rapide sur réglable flèche</b> <b>Working hydraulic, quickfit on adjustable boom</b>	Catalogue id	Group
2			<b>56141</b>	<b>924</b>
3			Illustr. No	Section
4			<b>TA266</b>	<b>500</b>
5			Issue	Page
			<b>VOE 7414356141</b>	<b>569</b>



2.9M  
3.9M



2.5M

Fig.	Part No.	Quantity					P S	K I T	Description	Dénomination	Bezeichnung	품명	Denominación	Notes
		1	2	3	4	5								
1	SA 1174-53360	2	1	1				Clamp .....	Pince Serrage .....	Klemme .....	클램프 .....	Abrazadera.....		
2	VOE 14508440	1	1	1				Block .....	Bloc .....	Block .....	블록 .....	Bloque.....		
3	SA 1174-58220	1	1	1				Clamp .....	Pince Serrage .....	Klemme .....	클램프 .....	Abrazadera.....		
4	VOE 14511741	1						Pipe.....	Canalisation .....	Rohrleitung .....	파이프.....	Canalización.....		
	VOE 14512000		1					Pipe.....	Canalisation .....	Rohrleitung .....	파이프.....	Canalización.....		
	VOE 14511734			1				Pipe.....	Canalisation .....	Rohrleitung .....	파이프.....	Canalización.....		
5	VOE 14511742	1						Pipe.....	Canalisation .....	Rohrleitung .....	파이프.....	Canalización.....		
	VOE 14515876		1					Pipe.....	Canalisation .....	Rohrleitung .....	파이프.....	Canalización.....		
	VOE 14511733			1				Pipe.....	Canalisation .....	Rohrleitung .....	파이프.....	Canalización.....		
6	VOE 14515524	1	1	1				Clip.....	Clip .....	Klemme .....	클립 .....	Clip.....		
7	SA 9211-10000	1	1	1				Washer .....	Rondelle .....	Scheibe .....	와셔 .....	Arandela.....		
8	SA 9412-11020	2	2	2				Connector .....	Raccord .....	Anschluss .....	커넥터.....	Union.....		
9	SA 9412-11030	2	2	2				Connector .....	Raccord .....	Anschluss .....	커넥터.....	Union.....		
10	SA 9451-02632	1	1	1				Hose .....	Durit.....	Schlauch .....	호스 .....	Tubo flexible.....		
11	SA 9451-03632	1	1	1				Hose .....	Durit.....	Schlauch .....	호스 .....	Tubo flexible.....		
12	SA 9459-05630	1	1	1				Hose .....	Durit.....	Schlauch .....	호스 .....	Tubo flexible.....		
13	SA 9459-05590	1	1	1				Hose .....	Durit.....	Schlauch .....	호스 .....	Tubo flexible.....		
14	SA 9511-12011	2	2	2				O-ring.....	Joint Torique .....	O-ring .....	오링 .....	Junta torica.....		
15	SA 9511-12014	2	2	2				O-ring.....	Joint Torique .....	O-ring .....	오링 .....	Junta torica.....		
16	VOE 955921	2	1	1				Spring Washer .....	Rondelle ressort .....	Federscheibe .....	스프링 와셔 .....	Arandela resorte....		
17	VOE 955922	2	3	3				Spring Washer .....	Rondelle ressort .....	Federscheibe .....	스프링 와셔 .....	Arandela resorte....		
18	VOE 983243	2	1	1				Screw.....	Vis .....	Schraube .....	스크류.....	Tornillo.....		
19	VOE 983253		1	1				Screw.....	Vis .....	Schraube .....	스크류.....	Tornillo.....		
20	VOE 983250	1	1	1				Screw.....	Vis .....	Schraube .....	스크류.....	Tornillo.....		
21	VOE 983251	2	2	2				Screw.....	Vis .....	Schraube .....	스크류.....	Tornillo.....		
22	SA 9372-11840		1	1				Clamp .....	Pince Serrage .....	Klemme .....	클램프 .....	Abrazadera.....		
23	SA 9314-02300	5	5	5				Strip Clamp.....	Ruban Serrage .....	Bandklammer.....	스트립 클램프.....	Abraz Cinta.....		
24	VOE 14880139				1			Hose .....	Durit.....	Schlauch .....	호스 .....	Tubo flexible.....	Quick fit S1	
25	SA 9459-05630				1			Hose .....	Durit.....	Schlauch .....	호스 .....	Tubo flexible.....	Quick fit S1	

1	8277873	<b>Hidráulica de trabajo, acoplamiento rapido en la brazo</b> 유압 배관 , 디퍼 암측 퀵 핏 <b>Arbeitshydraulik, Schnellwechsler auf Stiel</b> Hydraulique de travail, fixation rapide sur bras <b>Working hydraulic, quick fit on dipper arm</b>	Catalogue id	Group
2	8277874		<b>56141</b>	<b>924</b>
3	8277875		Illustr. No	Section
4	8277885		<b>TA267</b>	<b>700</b>
5			Issue	Page
		<b>VOE 7414356141</b>	<b>571</b>	

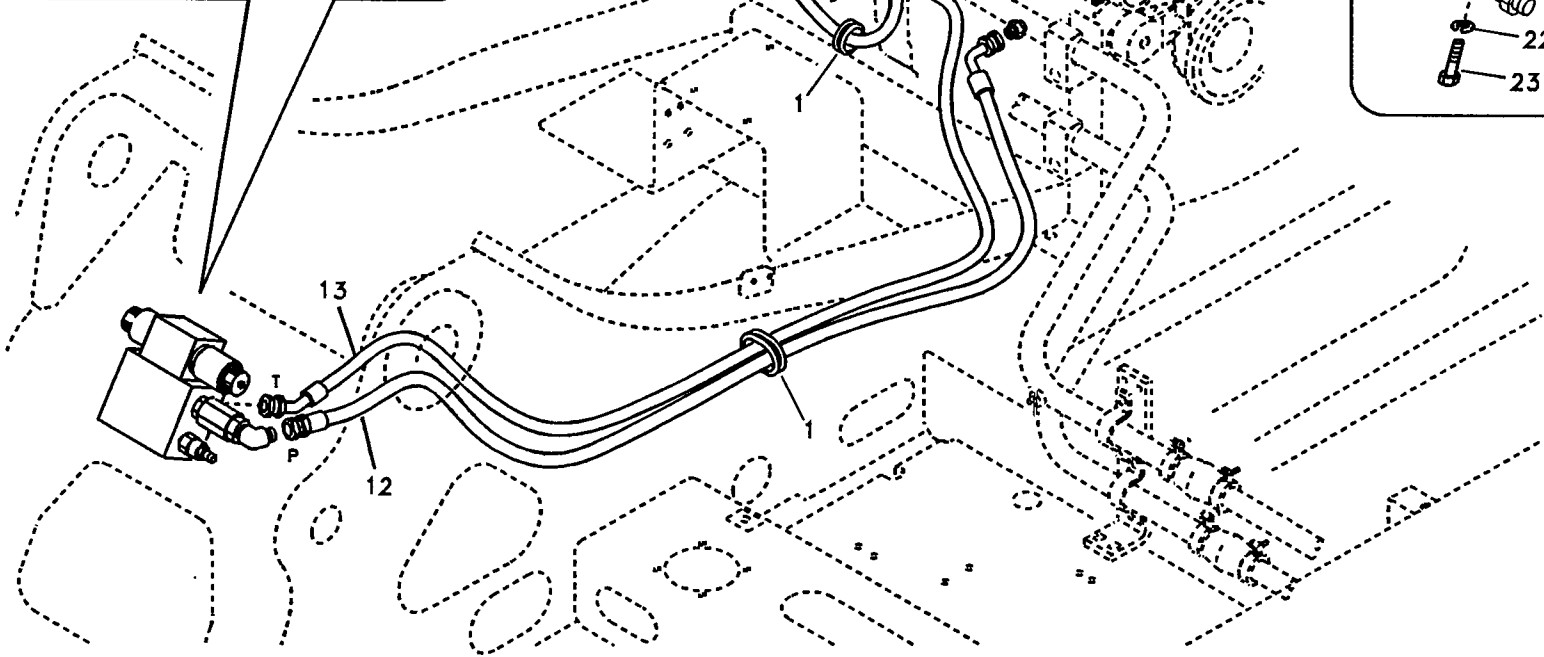
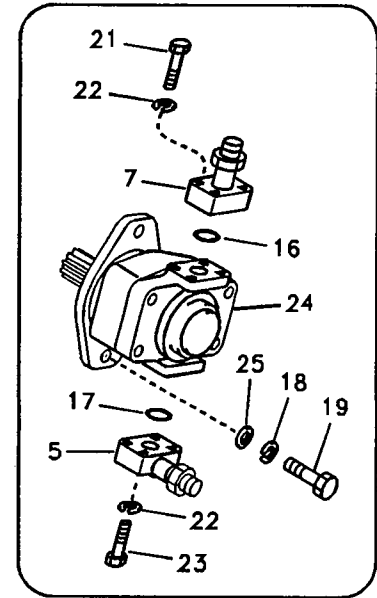
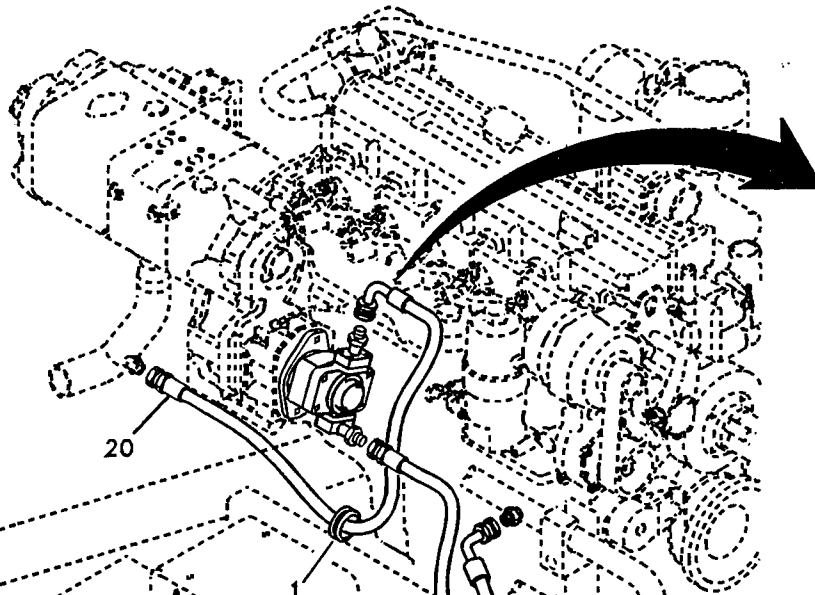
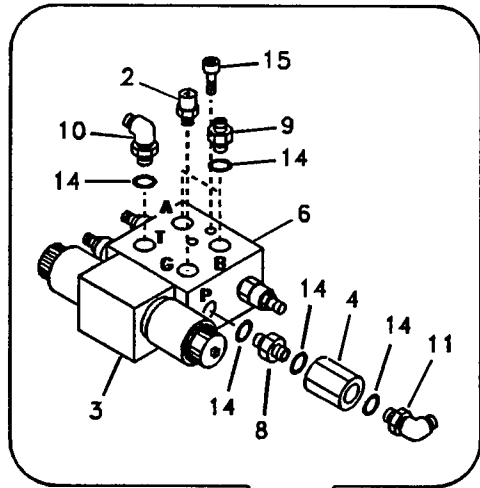


Fig.	Part No.	Quantity			P S	K T	Description	Dénomination	Bezeichnung	품명	Denominación	Notes
		1	2	3								
1	SA 1122-02150	2				Grommet .....	Passe fil .....	Durchführung .....	그로메트 .....	Aislador pasapanel....		
2	SA 1042-11650	1				Quick Coupling.....	Accouple.rapide .....	Schnellkupplung .....	퀵 커플러 .....	Acoplam Rapido.....		
3	SA 1042-11981	1				Solenoid Valve .....	Vanne electrom.....	Magnetventil.....	솔레노이드 밸브 .....	Electrovalvula.....		
4	SA 1142-07900	1				Check valve .....	Valve antiretour.....	Rückschlagventil .....	체크 밸브 .....	Valvula retencion.....		
5	VOE 14509080	1				Flange .....	Flasque .....	Flansch .....	플랜지 .....	Brida.....		
6	SA 1142-30640	1				Rotator .....	Rotateur .....	Rotator .....	로테이터 .....	Rotator.....		
	VOE 14500110	3				•Relief Valve .....	•Limiteur - pression ...	•Druckbegrenzer .....	• 릴리프 밸브 .....	•Limitador presion.....		
7	SA 1040-84640	1				Flange .....	Flasque .....	Flansch .....	플랜지 .....	Brida.....		
8	SA 9411-96030	1				Connector .....	Raccord.....	Anschluss .....	커넥터 .....	Union.....		
9	SA 9412-11030	2				Connector .....	Raccord.....	Anschluss .....	커넥터 .....	Union.....		
10	SA 9413-11020	1				Elbow .....	Coude .....	Winkelstueck .....	엘보 .....	Codo.....		
11	SA 9414-11180	1				Elbow .....	Coude .....	Winkelstueck .....	엘보 .....	Codo.....		
12	SA 9453-04454	1				Hose .....	Durit .....	Schlauch .....	호스 .....	Tubo flexible.....		
13	SA 9452-03234	1				Hose .....	Durit .....	Schlauch .....	호스 .....	Tubo flexible.....		
14	SA 9511-12014	6				O-ring .....	Joint Torique .....	O-ring .....	오링 .....	Junta torica.....		
15	SA 9016-21013	2				Bolt.....	Boulon.....	Bolzen.....	볼트 .....	Perno.....		
16	SA 9512-02214	1				O-ring .....	Joint Torique .....	O-ring .....	오링 .....	Junta torica.....		
17	SA 9512-02219	1				O-ring .....	Joint Torique .....	O-ring .....	오링 .....	Junta torica.....		
18	VOE 955923	2				Washer.....	Rondelle.....	Scheibe .....	와셔 .....	Arandela.....		
19	VOE 978933	2				Screw .....	Vis .....	Schraube .....	스크류 .....	Tornillo.....		
20	SA 9453-06220	1				Hose.....	Durit .....	Schlauch .....	호스 .....	Tubo flexible.....		
21	VOE 947167	4				Screw .....	Vis .....	Schraube .....	스크류 .....	Tornillo.....		
22	VOE 955922	8				Spring Washer .....	Rondelle ressort.....	Federscheibe.....	스프링 와셔 .....	Arandela resorte.....		
23	VOE 967637	4				Allen Hd Screw .....	Vis A 6 Pans Cr.....	Inbusschraube .....	스크류 .....	Torn Hex Embut.....		
24	SA 7210-00940	1				Gear Pump.....	Pomp.engrenages.....	Zahnradpumpe .....	기어 펌프 .....	Bomba Engranaje.....	See group 924, Page 581	
25	SA 9211-12000	2				Washer.....	Rondelle.....	Scheibe .....	와셔 .....	Arandela.....		

1	8277864	<b>Hidráulica de trabajo, declive y rotator en la bastidor alto</b> 유압 배관 , 상부 프레임측 슬로프 및 로테이터 <b>Arbeitshydraulik, Bösch. und Rotator auf obere Rahmen</b> <b>Hydraulique de travail, pente et rotator sur châssis supérieur</b> <b>Working hydraulic, slope and rotator on upper frame</b>	Catalogue id	Group
2			<b>56141</b>	<b>924</b>
3			Illustr. No	Section
4			<b>TA268</b>	<b>1000</b>
5			Issue	Page
			<b>VOE 7414356141</b>	<b>573</b>

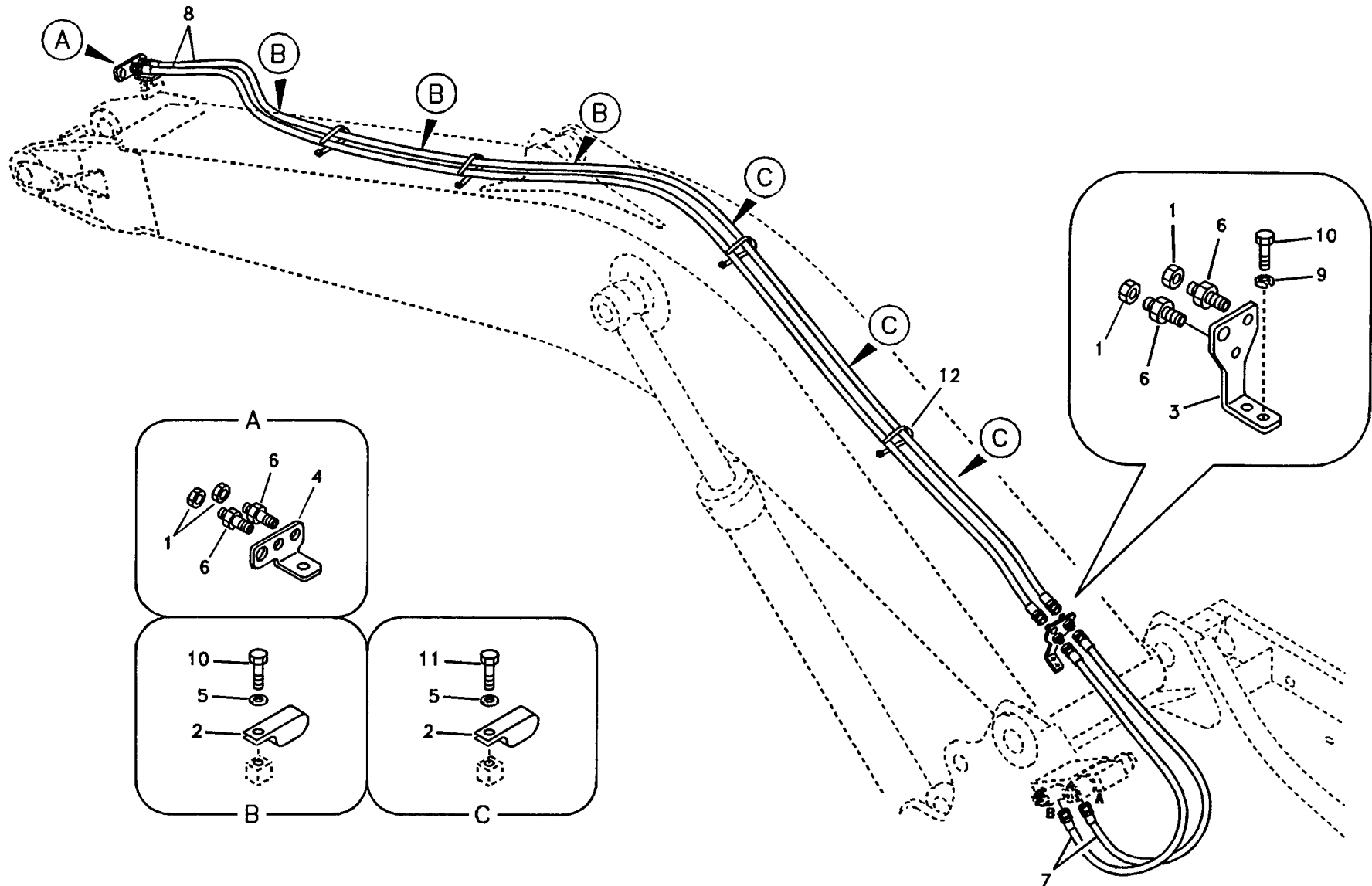


Fig.	Part No.	Quantity			P S	K I T	Description	Dénomination	Bezeichnung	품명	Denominación	Notes
		1	2	3								
1	SA 2043-00120	4				Nut .....	Ecrou.....	Mutter .....	너트 .....	Tuerca.....		
2	VOE 14515524	6				Clip.....	Clip.....	Klemme .....	클립 .....	Clip.....		
3	VOE 14509020	1				Bracket.....	Console.....	Konsole .....	브라켓 .....	Ménsula.....		
4	VOE 14514484	1				Plate.....	Plaque .....	Platte .....	플레이트 .....	Placa.....		
5	SA 9211-10000	6				Washer.....	Rondelle.....	Scheibe .....	와셔 .....	Arandela.....		
6	SA 9416-11101	4				Connector .....	Raccord.....	Anschluss .....	커넥터 .....	Union.....		
7	SA 9451-03622	2				Hose.....	Durit .....	Schlauch .....	호스 .....	Tubo flexible.....		
8	SA 9466-03619	2				Hose.....	Durit .....	Schlauch .....	호스 .....	Tubo flexible.....		
9	VOE 955922	2				Spring Washer .....	Rondelle ressort.....	Federscheibe.....	스프링 와셔 .....	Arandela resorte.....		
10	VOE 983250	5				Screw .....	Vis .....	Schraube .....	스크류 .....	Tornillo.....		
11	VOE 983252	3				Screw .....	Vis .....	Schraube .....	스크류 .....	Tornillo.....		
12	SA 9314-02300	13				Strip Clamp .....	Ruban Serrage.....	Bandklammer .....	스트립 클램프 .....	Abraz Cinta.....		

1	8277865	<b>Hidráulica de trabajo, declive y rotator en la pluma</b> 유압 배관 , 붐측 슬로프 및 로테이터 <b>Arbeitshydraulik, Bösch. und Rotator auf Ausleger</b> <b>Hydraulique de travail, pente et rotator sur flèche</b> <b>Working hydraulic, slope and rotator on boom</b>	Catalogue id	Group
2			<b>56141</b>	<b>924</b>
3			Illustr. No	Section
4			<b>TA269</b>	<b>1100</b>
5			Issue	Page
			<b>VOE 7414356141</b>	<b>575</b>



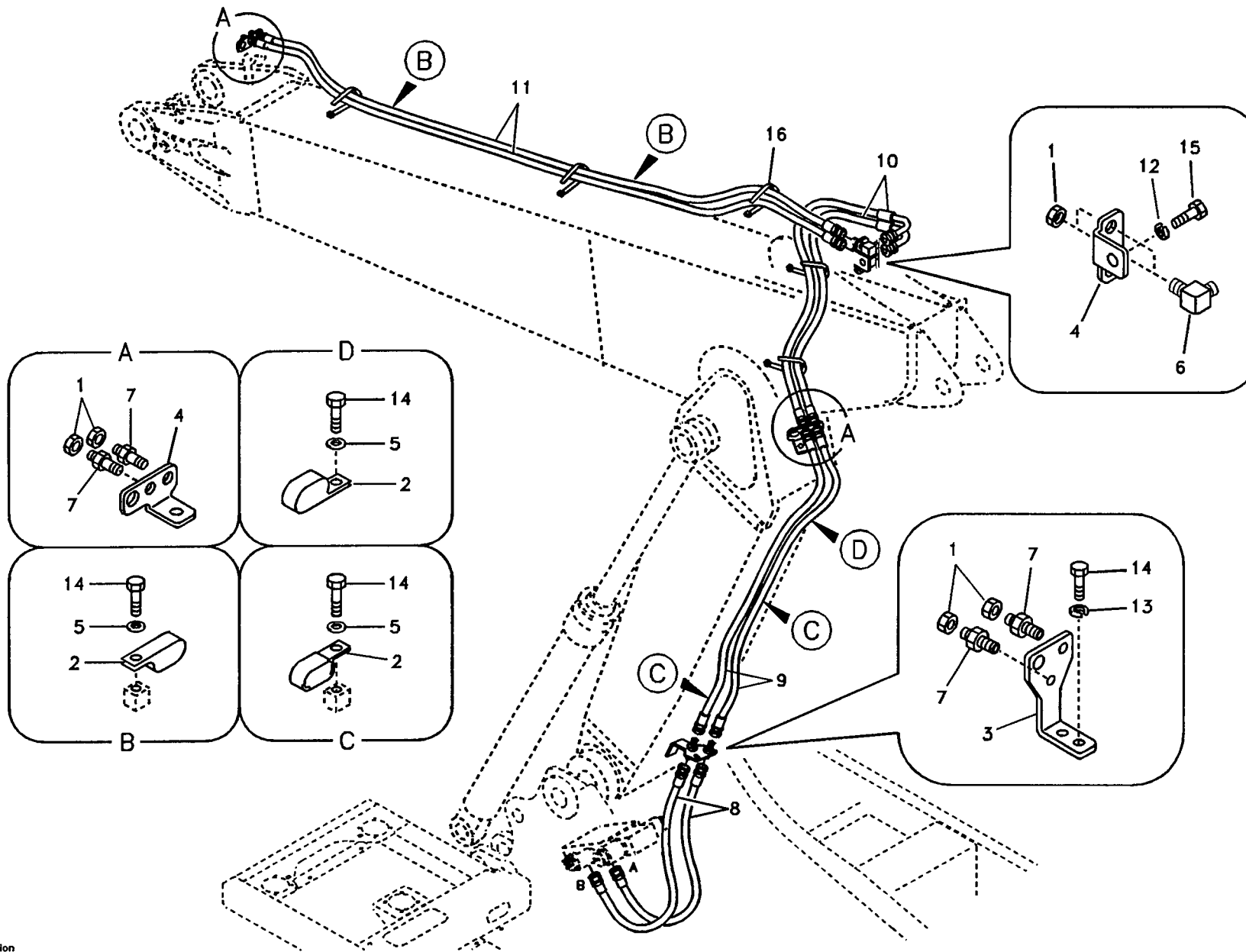
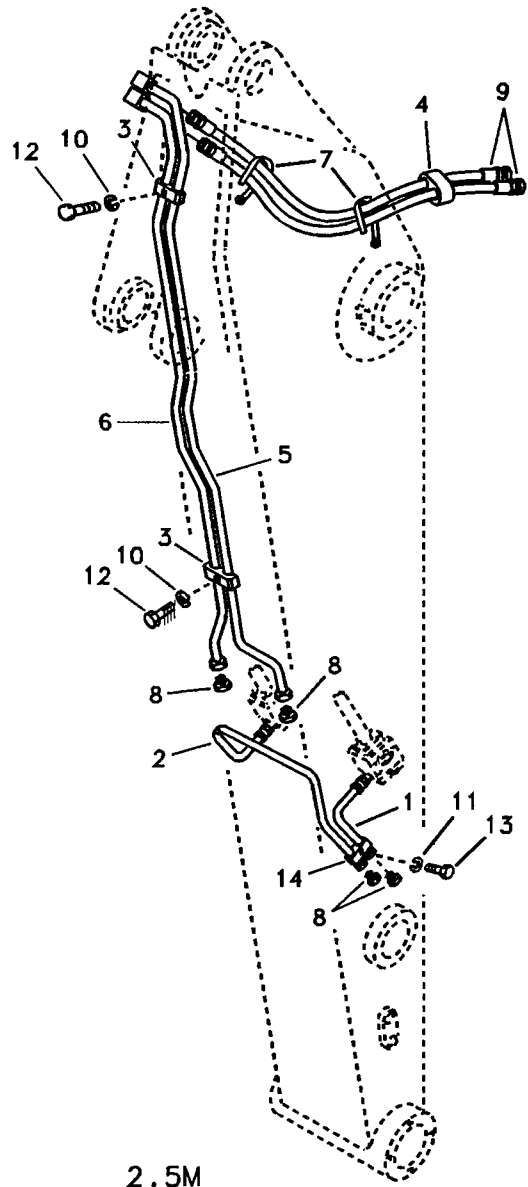
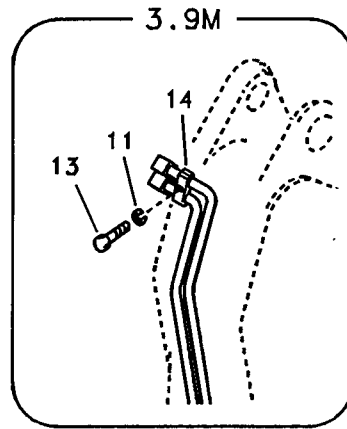


Fig.	Part No.	Quantity			P S	K I T	Description	Dénomination	Bezeichnung	품명	Denominación	Notes
		1	2	3								
1	SA 2043-00120	8				Nut .....	Ecrou.....	Mutter .....	너트 .....	Tuerca.....		
2	VOE 14515524	5				Clip.....	Clip.....	Klemme.....	클리프 .....	Clip.....		
3	VOE 14509020	1				Bracket.....	Console.....	Konsole.....	브라켓 .....	Ménsula.....		
4	VOE 14514484	3				Plate.....	Plaque.....	Platte .....	플레이트 .....	Placa.....		
5	SA 9211-10000	5				Washer.....	Rondelle.....	Scheibe.....	와셔 .....	Arandela.....		
6	SA 9411-95950	2				Elbow .....	Coude .....	Winkelstueck .....	엘보 .....	Codo.....		
7	SA 9416-11101	6				Connector .....	Raccord.....	Anschluss .....	커넥터 .....	Union.....		
8	SA 9451-03622	2				Hose.....	Durit .....	Schlauch .....	호스 .....	Tubo flexible.....		
9	SA 9451-03654	2				Hose.....	Durit .....	Schlauch .....	호스 .....	Tubo flexible.....		
10	SA 9453-03618	2				Hose.....	Durit .....	Schlauch .....	호스 .....	Tubo flexible.....		
11	SA 9451-03656	2				Hose.....	Durit .....	Schlauch .....	호스 .....	Tubo flexible.....		
12	VOE 955926	1				Spring Washer .....	Rondelle ressort.....	Federscheibe.....	스프링 와셔 .....	Arandela resorte.....		
13	VOE 955922	2				Spring Washer .....	Rondelle ressort.....	Federscheibe.....	스프링 와셔 .....	Arandela resorte.....		
14	VOE 983250	7				Screw .....	Vis .....	Schraube .....	스크류 .....	Tornillo.....		
15	VOE 978936	1				Screw .....	Vis .....	Schraube .....	스크류 .....	Tornillo.....		
16	SA 9314-02300	15				Strip Clamp .....	Ruban Serrage.....	Bandklammer .....	스트립 클램프 .....	Abraz Cinta.....		

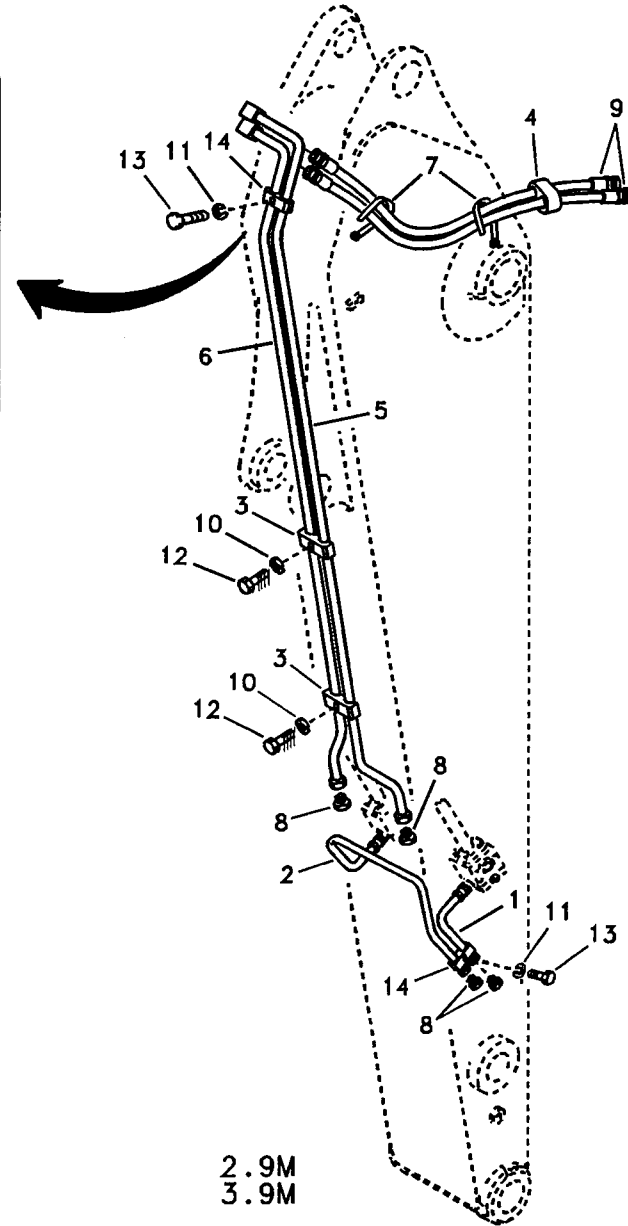
1	8277866	<b>Hidráulica de trabajo, declive y rotator en la pluma ajustable</b> 유압 배관 , 조절 붐측 슬로프 및 로테이터 <b>Arbeitshydraulik, Bösch. und Rotator auf Verstellausleger</b> <b>Hydraulique de travail, pente et rotator sur réglable flèche</b> <b>Working hydraulic, slope and rotator on adjustable boom</b>	Catalogue id	Group
2			<b>56141</b>	<b>924</b>
3			Illustr. No	Section
4			<b>TA270</b>	<b>1200</b>
5			Issue	Page
			<b>VOE 7414356141</b>	<b>577</b>



2.5M



3.9M



2.9M  
3.9M

Fig.	Part No.	Quantity					P S	K I T	Description	Dénomination	Bezeichnung	품명	Denominación	Notes
		1	2	3	4	5								
1	SA 1174-53151	1						Pipe.....	Canalisation .....	Rohrleitung .....	파이프.....	Canalización.....		
2	VOE 14512723	1						Pipe.....	Canalisation .....	Rohrleitung .....	파이프.....	Canalización.....		
3	SA 1174-53360		2	2	2			Clamp .....	Pince Serrage .....	Klemme .....	클램프.....	Abrazadera.....		
4	SA 1174-58220		1	1	1			Clamp .....	Pince Serrage .....	Klemme .....	클램프.....	Abrazadera.....		
5	VOE 14511743		1					Pipe.....	Canalisation .....	Rohrleitung .....	파이프.....	Canalización.....		
	VOE 14512427			1				Pipe.....	Canalisation .....	Rohrleitung .....	파이프.....	Canalización.....		
	VOE 14512282				1			Pipe.....	Canalisation .....	Rohrleitung .....	파이프.....	Canalización.....		
6	VOE 14511744		1					Pipe.....	Canalisation .....	Rohrleitung .....	파이프.....	Canalización.....		
	VOE 14515928			1				Pipe.....	Canalisation .....	Rohrleitung .....	파이프.....	Canalización.....		
	VOE 14511736				1			Pipe.....	Canalisation .....	Rohrleitung .....	파이프.....	Canalización.....		
7	SA 9314-02300		5	5	5			Strip Clamp.....	Ruban Serrage .....	Bandklammer.....	스트립 클램프.....	Abraz Cinta.....		
8	SA 9415-43031	2	2	2	2			Plug.....	Bouchon .....	Stopfen .....	플러그.....	Tapon.....		
9	SA 9459-05590		2	2	2			Hose .....	Durit .....	Schlauch .....	호스.....	Tube flexible.....		
10	VOE 955921		2	2	2			Spring Washer.....	Rondelle ressort .....	Federscheibe .....	스프링 와셔.....	Arandela resorte.....		
11	VOE 955922	1		1	1			Spring Washer.....	Rondelle ressort .....	Federscheibe .....	스프링 와셔.....	Arandela resorte.....		
12	VOE 983243		2	2	2			Screw.....	Vis .....	Schraube .....	스크류.....	Tornillo.....		
13	VOE 983253	1		1	1			Screw.....	Vis .....	Schraube .....	스크류.....	Tornillo.....		
14	SA 9372-11840	1		1	1			Clamp .....	Pince Serrage .....	Klemme .....	클램프.....	Abrazadera.....		

1	8277863	<b>Hidráulica de trabajo, declive y rotator en la brazo</b> 유압 배관 , 디퍼 암측 슬로프 및 로테이터 <b>Arbeitshydraulik, Bösch. und Rotator auf Stiel</b> <b>Hydraulique de travail, pente et rotator sur bras</b> <b>Working hydraulic, slope and rotator on dipper arm</b>	Catalogue id	Group
2	8277867		<b>56141</b>	<b>924</b>
3	8277868		Illustr. No	Section
4	8277869		<b>TA271</b>	<b>1600</b>
5			Issue	Page
		<b>VOE 7414356141</b>	<b>579</b>	

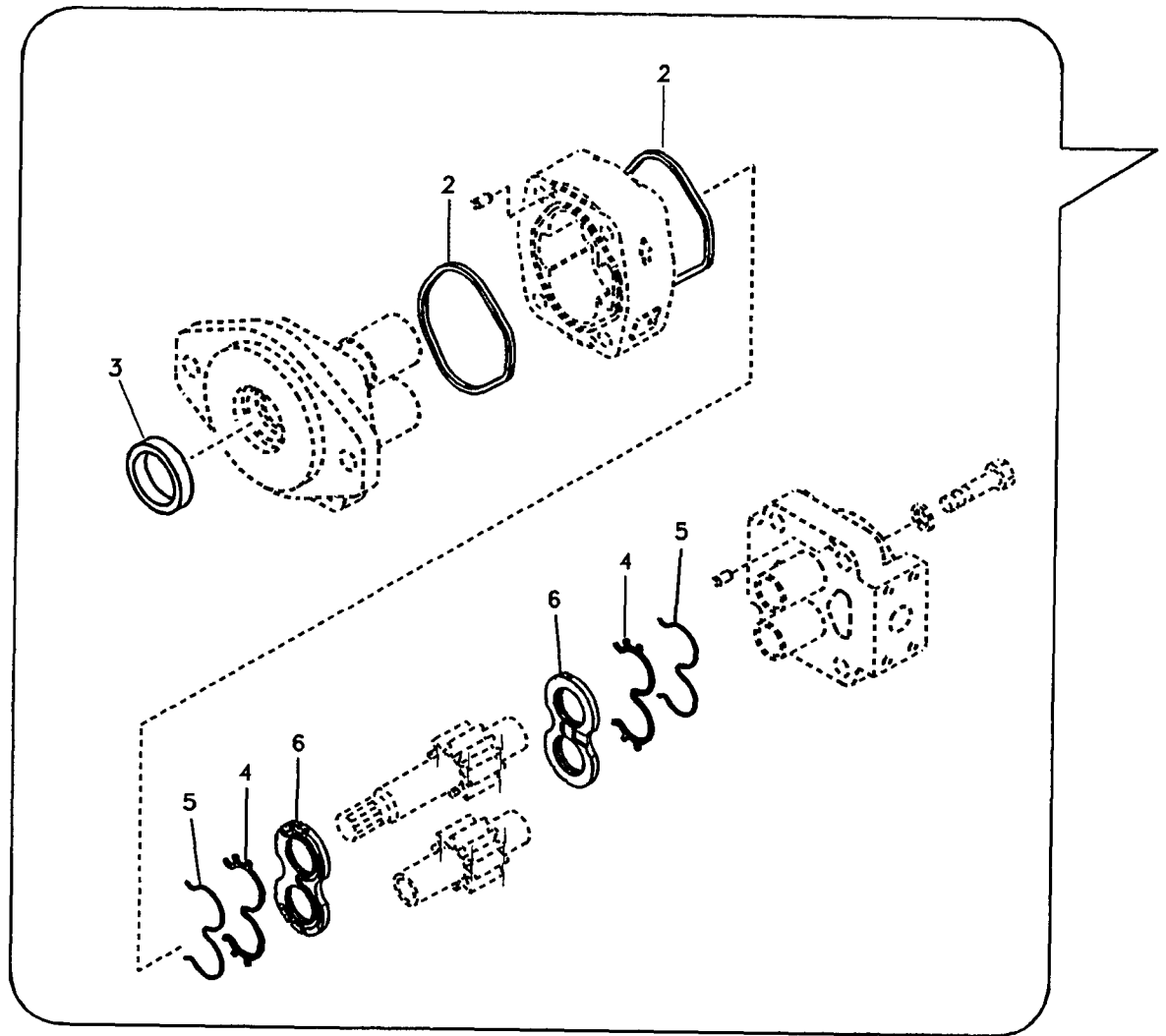


Fig.	Part No.	Quantity			P S	K I T	Description	Dénomination	Bezeichnung	품명	Denominación	Notes
		1	2	3								
	<b>SA 7210-00940</b>	1					Gear Pump.....	Pomp.engrenages.....	Zahnradpumpe .....	기어 펌프.....	Bomba Engranaje.....	
1		1			NS		•Cover .....	•Capot .....	•Haube .....	•커버 .....	•Capo.....	
2		2			NS K		•Seal .....	•Plomb.....	•Plombe.....	•시일.....	•Plomo.....	
3		1			NS K		•Seal .....	•Plomb.....	•Plombe.....	•시일.....	•Plomo.....	
4		2			NS K		•Seal .....	•Plomb.....	•Plombe.....	•시일.....	•Plomo.....	
5		2			NS K		•Seal .....	•Plomb.....	•Plombe.....	•시일.....	•Plomo.....	
6	<b>SA 7218-00530</b>	2					•Thrust Plate .....	•Plaque de butee.....	•Spurplatte.....	•스러스트 플레이트 ...	•Placa de tope.....	
100	<b>VOE 14500390</b>	1					Sealing Kit.....	Jeu Joints.....	Dichtungssatz .....	시일 킷 .....	Juego Retenes.....	

1	<b>8277864</b>	<b>Bomba hidráulica de engranajes para enganche rápido y rotador</b> 기어 펌프 , 퀵 핏 및 로테이터 <b>Hydraulikpumpe für Schnellwechsler und Rotator</b> <b>Pompe à engrenages hydr pour raccord rapide et rotator</b> <b>Hydraulic gear pump for quickfit and rotator</b>	Catalogue id	Group
2			<b>56141</b>	<b>924</b>
3			Illustr. No	Section
4			<b>TA272</b>	<b>2000</b>
5			Issue	Page
			<b>VOE 7414356141</b>	<b>581</b>

**VOLVO**

**EC210B**

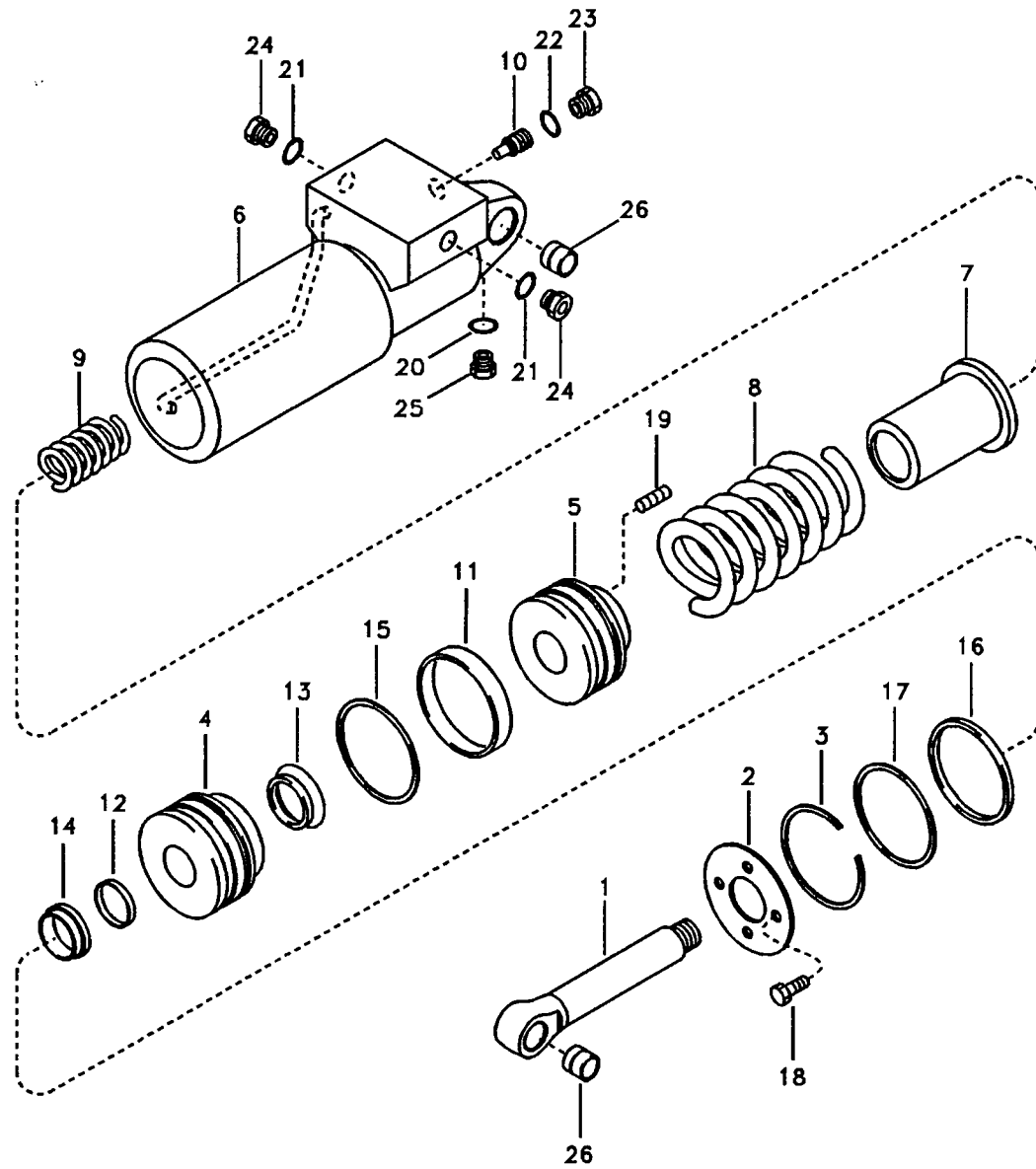


Fig.	Part No.	Quantity			P S	K I T	Description	Dénomination	Bezeichnung	품명	Denominación	Notes
		1	2	3								
	SA 1171-90620	1					Cylinder.....	Verin.....	Zylinder.....	실린더.....	Cilindro.....	
1	VOE 14517024	1					•Rod.....	•Monture.....	•Fuhler.....	•로드.....	•Varilla.....	
2	VOE 14517025	1					•Cover.....	•Capot.....	•Haube.....	•커버.....	•Capo.....	
3	VOE 14517026	1					•Ring.....	•Anneau.....	•Ring.....	•링.....	•Anillo.....	
4	VOE 14517027	1					•Gland.....	•Presse etoupe.....	•Stopfbuchse.....	•글랜드.....	•Prensa estopas.....	
5	VOE 14517028	1					•Piston.....	•Piston.....	•Kolben.....	•피스톤.....	•Piston.....	
6	VOE 14517029	1					•Tube.....	•Tube.....	•Rohr.....	•튜브.....	•Tubo.....	
7	VOE 14517030	1					•Socket.....	•Douille.....	•Buchse.....	•슬리브.....	•Hembrilla.....	
8	VOE 14517031	1					•Spring.....	•Ressort.....	•Feder.....	•스프링.....	•Muelle.....	
9	VOE 14517032	1					•Spring.....	•Ressort.....	•Feder.....	•스프링.....	•Muelle.....	
10	VOE 14517033	1					•Check valve.....	•Valve antiretour.....	•Rückschlagventil.....	•체크 밸브.....	•Valvula retencion.....	
11		1			NS K		•Ring.....	•Anneau.....	•Ring.....	•링.....	•Anillo.....	
12		1			NS K		•Ring.....	•Anneau.....	•Ring.....	•링.....	•Anillo.....	
13		1			NS K		•Seal.....	•Joint.....	•Dichtring.....	•시일.....	•Junta.....	
14		1			NS K		•Seal.....	•Joint.....	•Dichtring.....	•시일.....	•Junta.....	
15		1			NS K		•Seal.....	•Joint.....	•Dichtring.....	•시일.....	•Junta.....	
16	SA 9511-22065	1			K		•O-ring.....	•Joint Torique.....	•O-ring.....	•오링.....	•Junta torica.....	
17	SA 9566-40650	1			K		•Ring.....	•Anneau.....	•Ring.....	•링.....	•Anillo.....	
18	SA 9011-10602	4					•Bolt.....	•Boulon.....	•Bolzen.....	•볼트.....	•Perno.....	
19	VOE 14517039	1			K		•Screw.....	•Vis.....	•Schraube.....	•스크류.....	•Tornillo.....	
20	SA 9511-12008	1					•O-ring.....	•Joint Torique.....	•O-ring.....	•오링.....	•Junta torica.....	
21	SA 9511-12014	2					•O-ring.....	•Joint Torique.....	•O-ring.....	•오링.....	•Junta torica.....	
22	SA 9511-12018	1					•O-ring.....	•Joint Torique.....	•O-ring.....	•오링.....	•Junta torica.....	
23	SA 9415-11042	1					•Plug.....	•Bouchon.....	•Stopfen.....	•플러그.....	•Tapon.....	
24	SA 9415-11032	1					•Plug.....	•Bouchon.....	•Stopfen.....	•플러그.....	•Tapon.....	
25	SA 9415-11012	1					•Plug.....	•Bouchon.....	•Stopfen.....	•플러그.....	•Tapon.....	
26	SA 9611-02525	2					•Bushing.....	•Bague.....	•Buchse.....	•부싱.....	•Casquillo.....	
100	VOE 14517040	1					Sealing Kit.....	Jeu Joints.....	Dichtungssatz.....	시일 키트.....	Juego Retenes.....	

1	8277885	<b>Cilindro, acoplamiento rapido</b> 쿼크 핏 실린더 <b>Schnellwechslerzylinder</b> <b>Verin, fixation rapide</b> <b>Quick fit cylinder</b>	Catalogue id	Group
2			<b>56141</b>	<b>924</b>
3			Illustr. No	Section
4			<b>TA273</b>	<b>3000</b>
5			Issue	Page
			<b>VOE 7414356141</b>	<b>583</b>



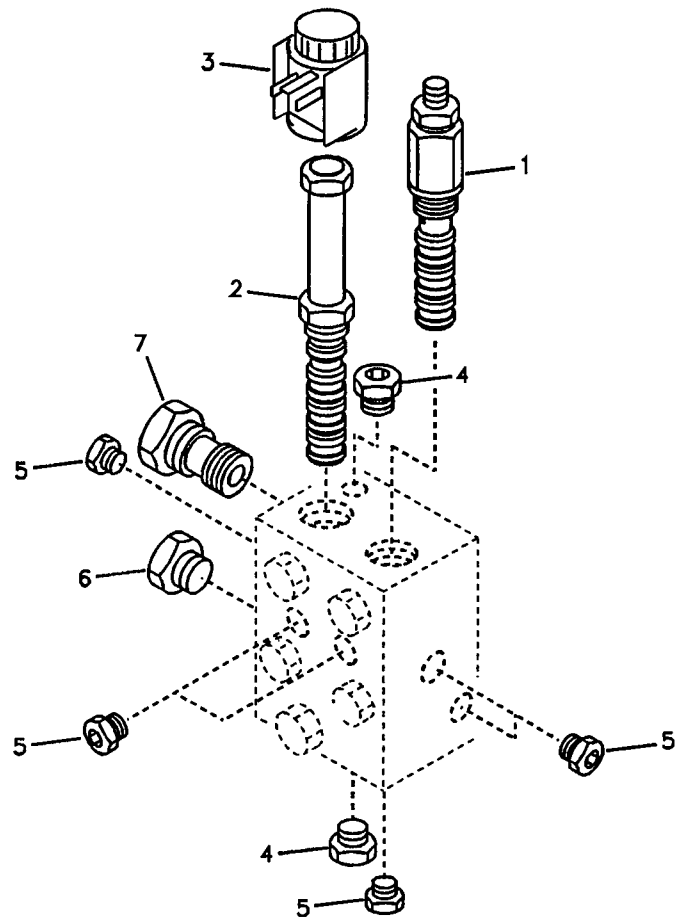


Fig.	Part No.	Quantity			P S	K I T	Description	Dénomination	Bezeichnung	품명	Denominación	Notes
		1	2	3								
	VOE 14503696	1				Valve .....	Soupape.....	Ventil .....	밸브 .....	Valvula.....		
1	VOE 14513661	1				•Check valve .....	•Valve antiretour.....	•Rückschlagventil .....	• 체크 밸브.....	•Valvula retencion.....		
2	VOE 14513662	1				•Solenoid Valve.....	•Vanne electrom.....	•Magnetventil.....	• 솔레노이드 밸브.....	•Electrovalvula.....		
3	VOE 14513664	1				•Coil .....	•Spirale.....	•Spirale.....	• 코일 .....	•Espiral.....		
4	VOE 14513665	2				•Plug .....	•Bouchon.....	•Stopfen .....	• 플러그 .....	•Tapon.....		
5	VOE 14513666	6				•Plug .....	•Bouchon.....	•Stopfen .....	• 플러그 .....	•Tapon.....		
6	VOE 14513668	1				•Plug .....	•Bouchon.....	•Stopfen .....	• 플러그 .....	•Tapon.....		
7	VOE 14513669	1				•Check valve .....	•Valve antiretour.....	•Rückschlagventil.....	• 체크 밸브.....	•Valvula retencion.....		
100	VOE 14513671	1				Sealing Kit.....	Jeu Joints.....	Dichtungssatz .....	시일 키트 .....	Juego Retenes.....		

1	8277870	<b>Válvula de acoplamiento rapido</b> 퀵 피트 밸브 <b>Schnellwechslerventil</b> <b>Soupape de fixation rapide</b> <b>Quick fit valve</b>	Catalogue id	Group
2			<b>56141</b>	<b>924</b>
3			Illustr. No	Section
4			<b>TA274</b>	<b>3100</b>
5			Issue	Page
			<b>VOE 7414356141</b>	<b>585</b>

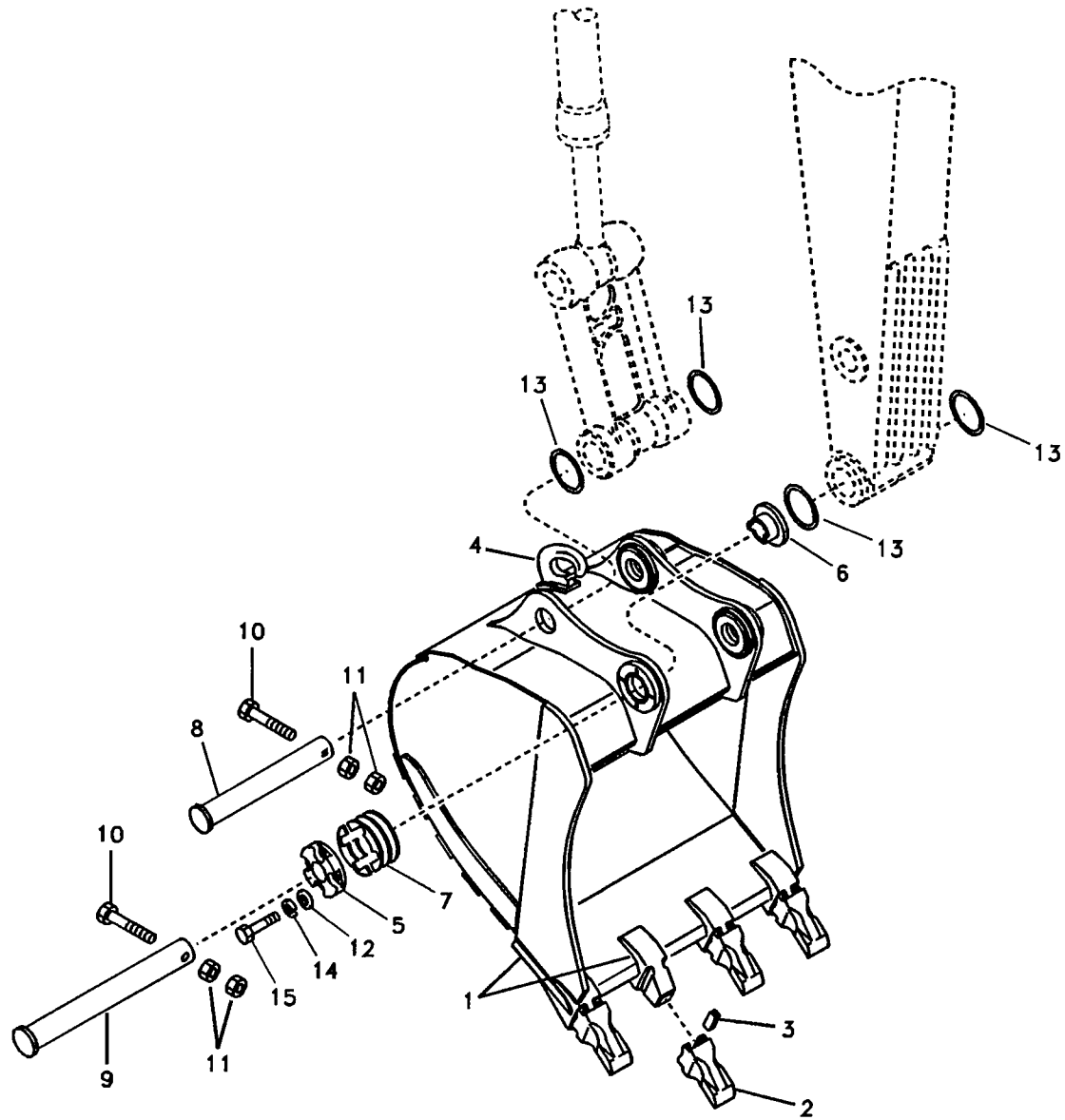


Fig.	Part No.	Quantity			P S	K I T	Description	Dénomination	Bezeichnung	품명	Denominación	Notes
		1	2	3								
1	SA 1171-80011	1				Bucket .....	Godet .....	Löffel .....	버킷 .....	Cuchara .....	GP 0,95 CU M,SAE	
	SA 1171-80051		1			Bucket .....	Godet .....	Löffel .....	버킷 .....	Cuchara .....	GP 1,10 CU M,SAE	
	SA 1171-89510	4	4			•Adapter .....	•Raccord Reduct. ....	•Verbind Stutzen .....	• 어댑터 .....	•Adaptador.....		
2	SA 1171-89520	4	4			•Tooth .....	•Dent .....	•Zahn.....	• 투스 .....	•Diente.....		
3	SA 1171-89530	4	4			•Pin .....	•Goupille.....	•Zapfen.....	• 핀 .....	•Pasador.....		
4		1	1	NS		•Hook .....	•Crochet .....	•Haken.....	• 훅.....	•Gancho.....		
5	SA 1172-00251	1	1			Cover .....	Capot .....	Haube .....	커버 .....	Capo.....		
6	SA 1172-00261	1	1			Bushing .....	Bague.....	Buchse .....	부싱 .....	Casquillo.....		
7	SA 1070-61272	12	12			Shim.....	Rondelle ajustement ..	Passscheibe .....	심 .....	Arandela Ajuste.....		
8	VOE 14512676	1	1			Pin.....	Goupille .....	Zapfen .....	핀 .....	Pasador.....		
9	VOE 14512677	1	1			Pin.....	Goupille .....	Zapfen .....	핀 .....	Pasador.....		
10	SA 9011-21623	2	2			Bolt.....	Boulon .....	Bolzen .....	볼트 .....	Perno.....		
11	VOE 979021	4	4			Nut .....	Ecrou.....	Mutter .....	너트 .....	Tuerca.....		
12	SA 9211-16000	4	4			Washer.....	Rondelle .....	Scheibe .....	와셔 .....	Arandela.....		
13	SA 9524-00127	4	4			Ring.....	Anneau.....	Ring .....	링 .....	Anillo.....		
14	VOE 955926	4	4			Spring Washer .....	Rondelle ressort.....	Federscheibe .....	스프링 와셔 .....	Arandela resorte.....		
15	SA 9011-11614	4	4			Bolt.....	Boulon .....	Bolzen .....	볼트 .....	Perno.....		

1	8277889	<b>Cazo</b> 버킷 <b>Schaufel</b> <b>Godet</b> <b>Bucket</b>	Catalogue id	Group
2	8277890		<b>56141</b>	<b>925</b>
3			Illustr. No	Section
4			<b>TA275</b>	<b>100</b>
5			Issue	Page
			<b>VOE 7414356141</b>	<b>587</b>

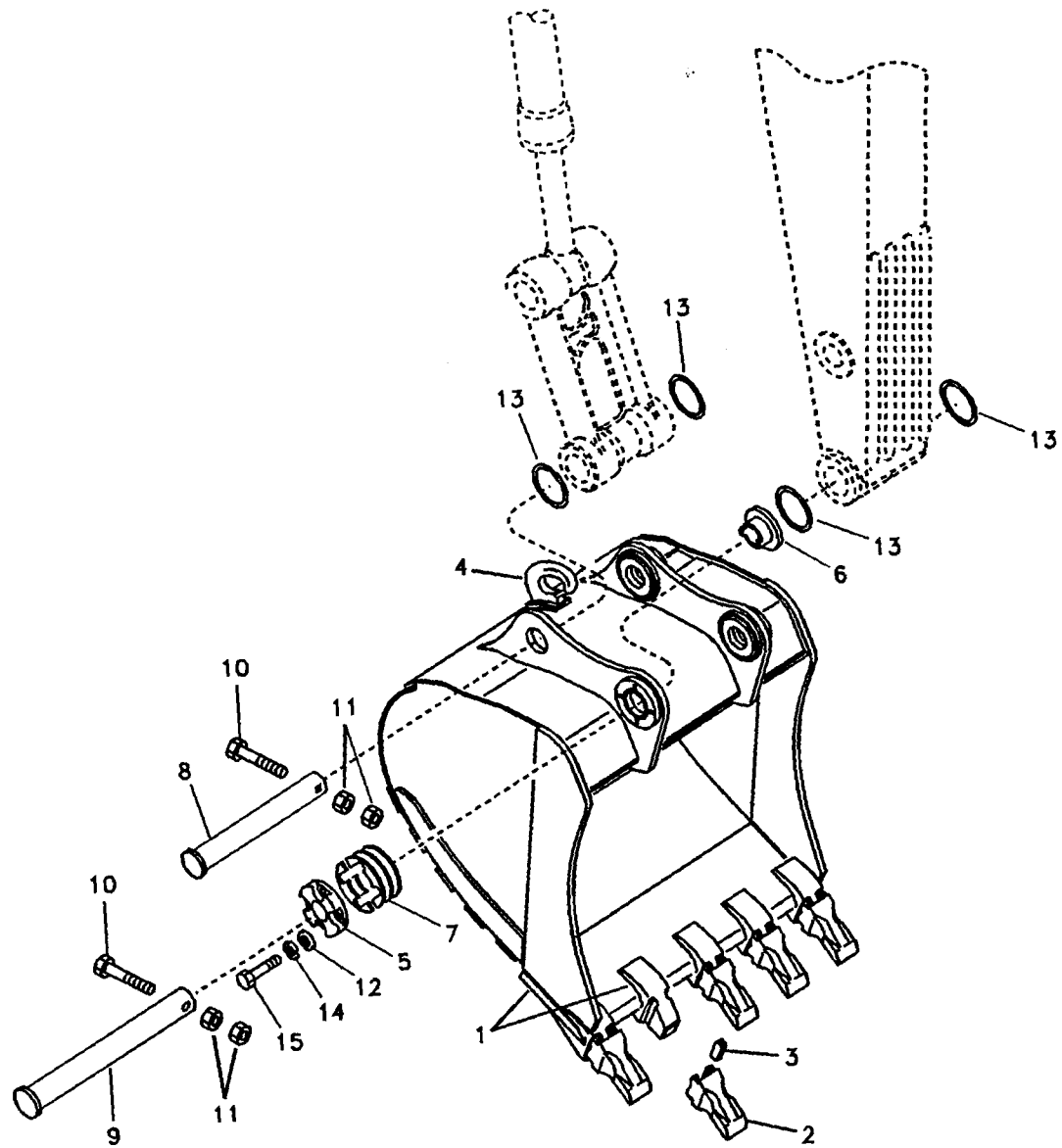


Fig.	Part No.	Quantity			P S	K T	Description	Dénomination	Bezeichnung	품명	Denominación	Notes
		1	2	3								
1	SA 1171-80091	1				Bucket.....	Godet .....	Löffel .....	버킷 .....	Cuchara.....	GP 1,25 CU M,SAE	
	SA 1171-89510	5				•Adapter .....	•Raccord Reduct.....	•Verbind Stutzen .....	•어댑터 .....	•Adaptador.....		
2	SA 1171-89520	5				•Tooth .....	•Dent .....	•Zahn.....	•투스 .....	•Diente.....		
3	SA 1171-89530	5				•Pin .....	•Goupille.....	•Zapfen.....	•핀 .....	•Pasador.....		
4		1			NS	•Hook .....	•Crochet .....	•Haken.....	•훅.....	•Gancho.....		
5	SA 1172-00251	1				Cover .....	Capot .....	Haube .....	커버 .....	Capo.....		
6	SA 1172-00261	1				Bushing .....	Bague.....	Buchse .....	부싱 .....	Casquilla.....		
7	SA 1070-61272	12				Shim.....	Rondelle ajustement ..	Passscheibe .....	심 .....	Arandela Ajuste.....		
8	VOE 14512676	1				Pin.....	Goupille .....	Zapfen .....	핀 .....	Pasador.....		
9	VOE 14512677	1				Pin.....	Goupille .....	Zapfen .....	핀 .....	Pasador.....		
10	SA 9011-21623	2				Bolt.....	Boulon.....	Bolzen .....	볼트 .....	Perno.....		
11	VOE 979021	4				Nut .....	Ecrou.....	Mutter .....	너트 .....	Tuerca.....		
12	SA 9211-16000	4				Washer.....	Rondelle .....	Scheibe .....	와셔 .....	Arandela.....		
13	SA 9524-00127	4				Ring.....	Anneau.....	Ring.....	링 .....	Anillo.....		
14	VOE 955926	4				Spring Washer .....	Rondelle ressort.....	Federscheibe.....	스프링 와셔 .....	Arandela resorte.....		
15	SA 9011-11614	4				Bolt.....	Boulon.....	Bolzen.....	볼트 .....	Perno.....		

1	8277891	Cazo 버킷 Schaufel Godet Bucket	Catalogue id	Group
2			56141	925
3			Illustr. No	Section
4			TA276	200
5			Issue	Page
			VOE 7414356141	589

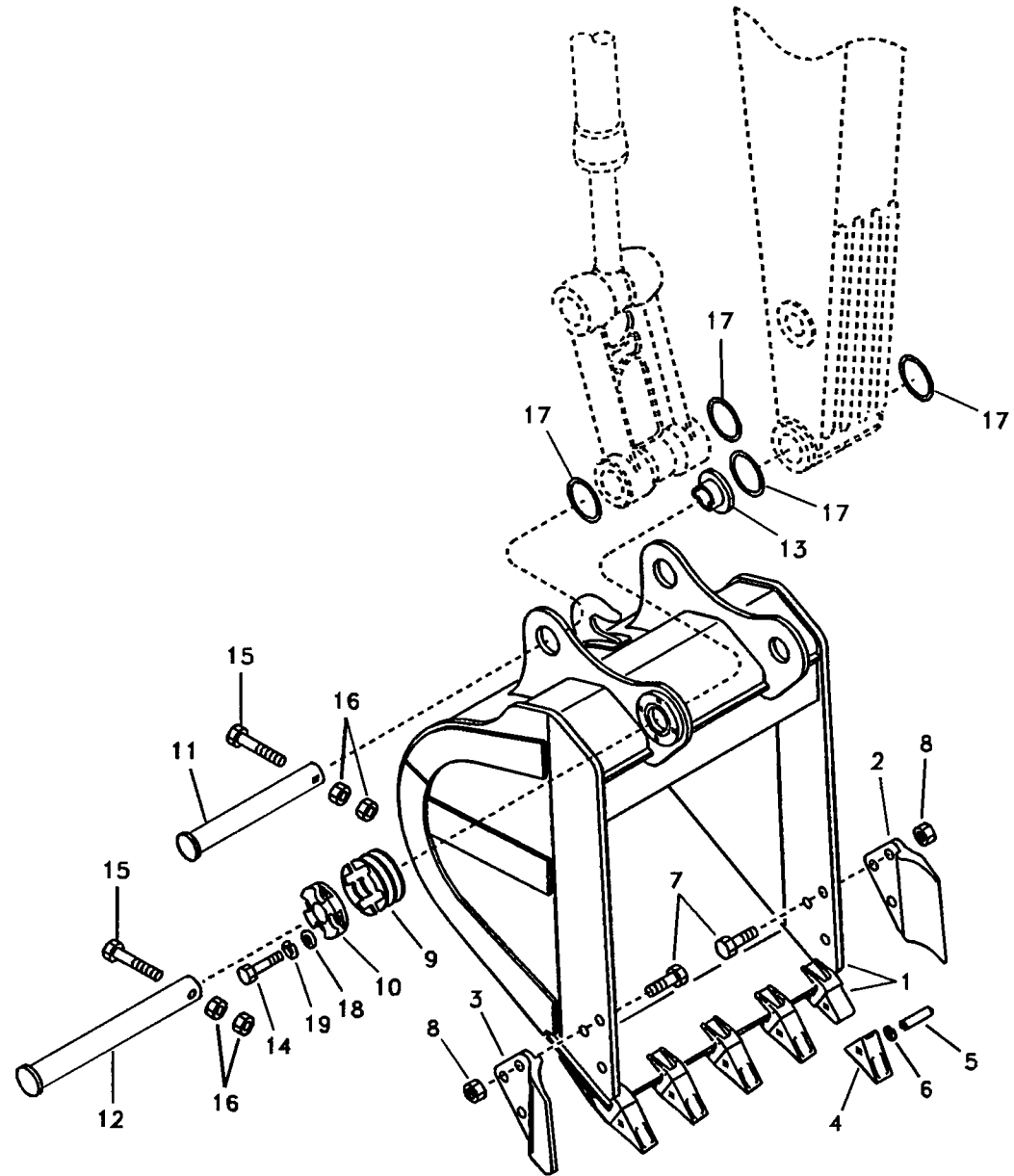


Fig.	Part No.	Quantity			P S	K I T	Description	Dénomination	Bezeichnung	품명	Denominación	Notes
		1	2	3								
1	SA 1171-00092	1				Bucket .....	Godet .....	Löffel .....	버킷 .....	Cuchara .....	GP 0,92 CU M,SAE	
	SA 1171-00012		1			Bucket .....	Godet .....	Löffel .....	버킷 .....	Cuchara .....	GP 0,92 CU M,SAE	
	SA 1171-00071			1		Bucket .....	Godet .....	Löffel .....	버킷 .....	Cuchara .....	GP 1,22 CU M,SAE	
	SA 1171-00031	5	5	6		•Adapter .....	•Raccord Reduct. ....	•Verbind Stutzen .....	• 어댑터 .....	•Adaptador .....		
2	SA 1171-00171	2	2	2		•Plate .....	•Plaque .....	•Platte .....	• 플레이트 .....	•Placa .....		
3	SA 1171-00181	2	2	2		•Plate .....	•Plaque .....	•Platte .....	• 플레이트 .....	•Placa .....		
4	SA 1171-00041	5	5	6 SS		•Tooth .....	•Dent .....	•Zahn .....	• 투스 .....	•Diente .....		
5	SA 1070-61320	5	5	6		•Pin .....	•Fiche .....	•Stecker .....	• 핀 .....	•Ficha .....		
6	SA 9213-18000	5	5	6		•Washer .....	•Rondelle .....	•Scheibe .....	• 와셔 .....	•Arandela .....		
7	SA 9012-53021	6	6	6		•Bolt .....	•Boulon .....	•Bolzen .....	• 볼트 .....	•Perno .....		
8	SA 9112-13001	6	6	6		•Nut .....	•Ecrou .....	•Mutter .....	• 너트 .....	•Tuerca .....		
9	SA 1070-61272	12	12	12		Shim .....	Rondelle ajustement ..	Passscheibe .....	심 .....	Arandela Ajuste .....		
10	SA 1172-00251	1	1	1		Cover .....	Capot .....	Haube .....	커버 .....	Capo .....		
11	VOE 14512676	1	1	1		Pin .....	Goupille .....	Zapfen .....	핀 .....	Pasador .....		
12	VOE 14512677	1	1	1		Pin .....	Goupille .....	Zapfen .....	핀 .....	Pasador .....		
13	SA 1172-00261	1	1	1		Bushing .....	Bague .....	Buchse .....	부싱 .....	Casquillo .....		
14	SA 9011-11614	4	4	4		Bolt .....	Boulon .....	Bolzen .....	볼트 .....	Perno .....		
15	SA 9011-21623	2	2	2		Bolt .....	Boulon .....	Bolzen .....	볼트 .....	Perno .....		
16	VOE 979021	4	4	4		Nut .....	Ecrou .....	Mutter .....	너트 .....	Tuerca .....		
17	SA 9524-00127	4	4	4		Ring .....	Anneau .....	Ring .....	링 .....	Anillo .....		
18	SA 9211-16000	4	4	4		Washer .....	Rondelle .....	Scheibe .....	와셔 .....	Arandela .....		
19	VOE 955926	4	4	4		Spring Washer .....	Rondelle ressort .....	Federscheibe .....	스프링 와셔 .....	Arandela resorte .....		

1	8277892	Cazo 버킷 Schaufel Godet Bucket	Catalogue id	Group
2	8277893		<b>56141</b>	<b>925</b>
3	8277894		Illustr. No	Section
4			<b>TA277</b>	<b>500</b>
5			Issue	Page
			<b>VOE 7414356141</b>	<b>591</b>



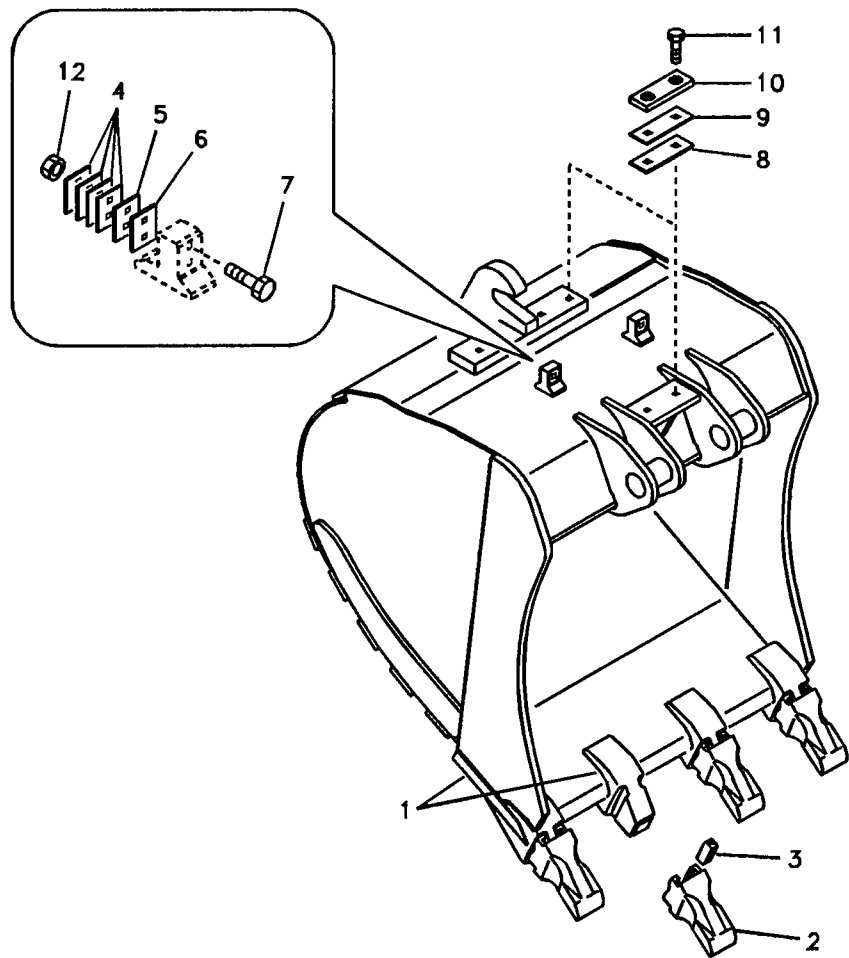


Fig.	Part No.	Quantity			P S	K I T	Description	Dénomination	Bezeichnung	품명	Denominación	Notes
		1	2	3								
1	SA 1171-70011	1				Bucket .....	Godet .....	Löffel .....	버킷 .....	Cuchara .....	GP 0,95 CU M,SAE	
	SA 1171-70031		1			Bucket .....	Godet .....	Löffel .....	버킷 .....	Cuchara .....	GP 1,10 CU M,SAE	
	SA 1171-89510	4	4			•Adapter .....	•Raccord Reduct. ....	•Verbind Stutzen .....	•어댑터 .....	•Adaptador .....		
2	SA 1171-89520	4	4			•Tooth .....	•Dent .....	•Zahn .....	•투스 .....	•Diente .....		
3	SA 1171-89530	4	4			•Pin .....	•Goupille .....	•Zapfen .....	•핀 .....	•Pasador .....		
4	SA 1171-75360	8	8			Shim .....	Rondelle ajustement ..	Passscheibe .....	심 .....	Arandela Ajuste .....		
5	SA 1171-75330	2	2			Shim .....	Rondelle ajustement ..	Passscheibe .....	심 .....	Arandela Ajuste .....		
6	SA 1171-75340	2	2			Shim .....	Rondelle ajustement ..	Passscheibe .....	심 .....	Arandela Ajuste .....		
7	SA 9011-12413	2	2			Bolt .....	Boulon .....	Bolzen .....	볼트 .....	Perno .....		
8	SA 1171-75040	3	3			Spacer .....	Partie Interme. ....	Zwischenstück .....	스페이서 .....	Espaciador .....		
9	SA 1171-75110	3	3			Shim .....	Cale Reglage .....	Nachstellblech .....	심 .....	Cuna de calzar .....		
10	SA 1171-75120	3	3			Shim .....	Cale Reglage .....	Nachstellblech .....	심 .....	Cuna de calzar .....		
11	SA 1171-75210	6	6			Bolt .....	Boulon .....	Bolzen .....	볼트 .....	Perno .....		
12	VOE 980521	2	2			Nut .....	Ecrou .....	Mutter .....	너트 .....	Tuerca .....		

1	8277895	<b>Cazos para enganche rápido</b> <b>퀵 핏 버킷</b> <b>Schaufeln für Schnellwechsler</b> <b>Godet pour Raccords rapides</b> <b>Buckets for Quickfit</b>	Catalogue id	Group
2	8277896		<b>56141</b>	<b>925</b>
3			Illustr. No	Section
4			<b>TA278</b>	<b>1000</b>
5			Issue	Page
			<b>VOE 7414356141</b>	<b>593</b>

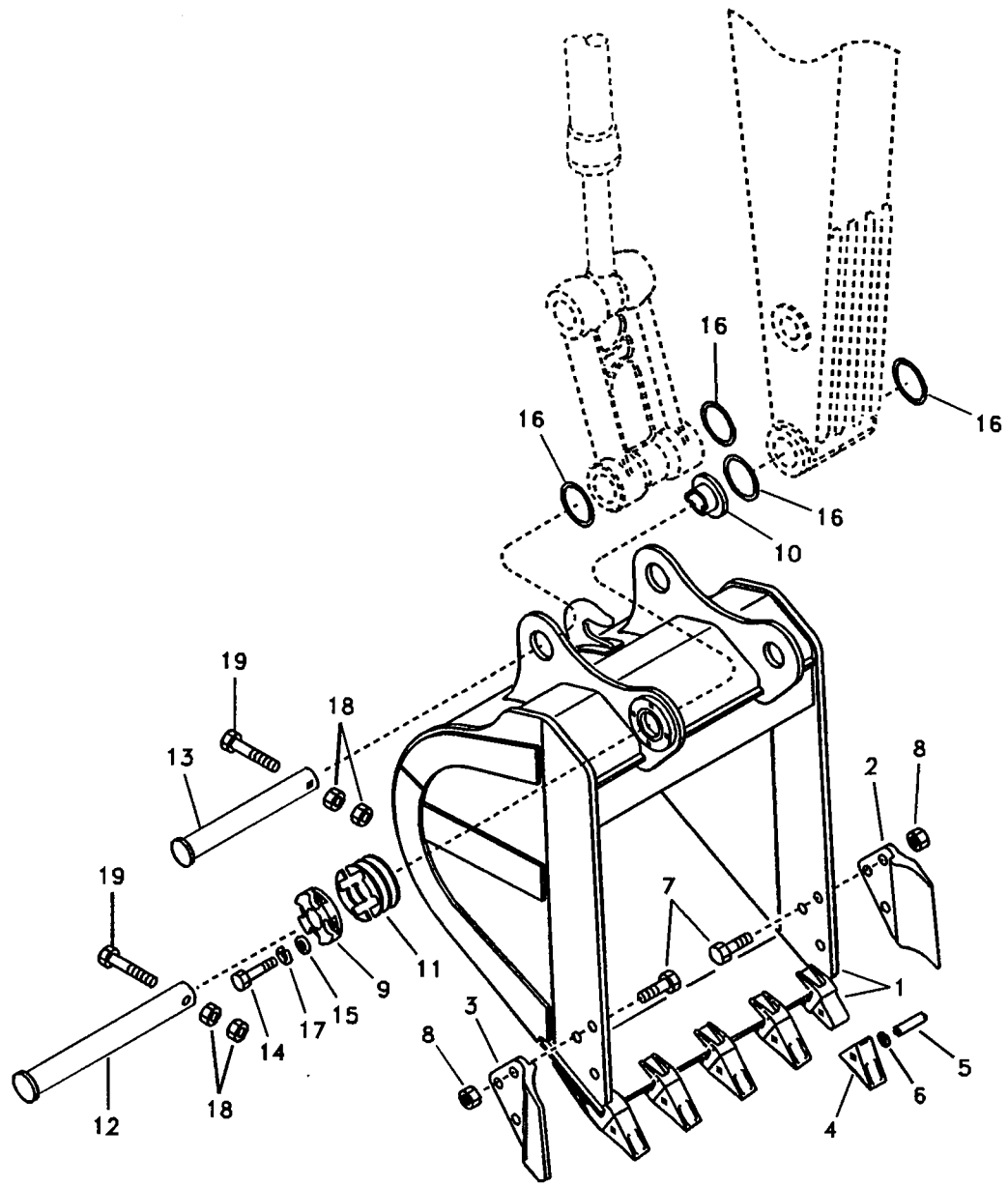


Fig.	Part No.	Quantity			P S	K T	Description	Dénomination	Bezeichnung	품명	Denominación	Notes
		1	2	3								
1	SA 1171-00412	1				Bucket .....	Godet .....	Löffel .....	버킷 .....	Cuchara .....	GP 0,52 CU M,SAE	
	SA 1171-00470	5				•Adapter .....	•Raccord Reduct. ....	•Verbind Stutzen .....	• 어댑터 .....	•Adaptador.....		
2	SA 1171-00171	1				•Plate .....	•Plaque.....	•Platte.....	• 플레이트 .....	•Placa.....		
3	SA 1171-00181	1				•Plate .....	•Plaque.....	•Platte.....	• 플레이트 .....	•Placa.....		
4	SA 1171-00480	5				•Tooth .....	•Dent .....	•Zahn.....	• 투스 .....	•Diente.....		
5	SA 1171-00492	5				•Pin .....	•Goupille.....	•Zapfen.....	• 핀 .....	•Pasador.....		
6	SA 1171-00502	5				•Retainer .....	•Retenue .....	•Halter .....	• 리테이너 .....	•Soporte.....		
7	SA 9012-53021	6				•Bolt .....	•Boulon.....	•Bolzen.....	• 볼트 .....	•Perno.....		
8	SA 9112-13001	6				•Nut .....	•Ecrou .....	•Mutter.....	• 너트 .....	•Tuerca.....		
9	SA 1172-01071	1				Cover .....	Capot .....	Haube .....	커버 .....	Capo.....		
10	SA 1172-01081	1				Bushing.....	Bague.....	Buchse .....	부싱 .....	Casquillo.....		
11	SA 1172-03420	12				Shim.....	Cale Reglage .....	Nachstellblech .....	심 .....	Cuna de calzar.....		
12	VOE 14510437	1				Pin.....	Fiche .....	Stecker.....	핀 .....	Ficha.....		
13	VOE 14510438	1				Pin.....	Goupille.....	Zapfen .....	핀 .....	Pasador.....		
14	VOE 1629544	4				Screw.....	Vis .....	Schraube .....	스크류 .....	Tornillo.....		
15	SA 9211-16000	4				Washer.....	Rondelle.....	Scheibe .....	와셔 .....	Arandela.....		
16	SA 9524-00106	4				Ring.....	Anneau.....	Ring.....	링 .....	Anillo.....		
17	VOE 955926	4				Spring Washer .....	Rondelle ressort.....	Federscheibe.....	스프링 와셔 .....	Arandela resorte.....		
18	VOE 979021	4				Nut .....	Ecrou.....	Mutter .....	너트 .....	Tuerca.....		
19	VOE 983260	2				Screw.....	Vis .....	Schraube .....	스크류 .....	Tornillo.....		

1	8277576	<b>Chucharas para alcance largo</b> <b>롱 리치 버킷</b> <b>Löffeln für lang Ausladung</b> <b>Godets pour étendue longue</b> <b>Buckets for long reach</b>	Catalogue id	Group
2			<b>56141</b>	<b>925</b>
3			Illustr. No	Section
4			<b>TA279</b>	<b>1200</b>
5			Issue	Page
			<b>VOE 7414356141</b>	<b>595</b>

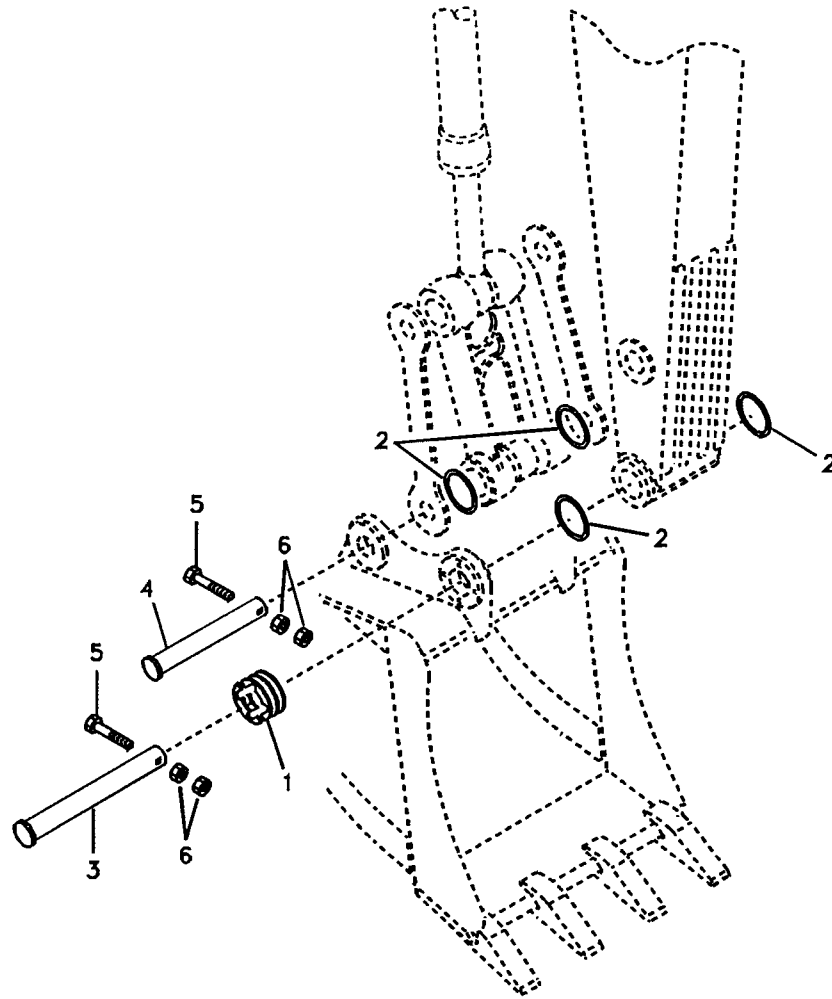


Fig.	Part No.	Quantity			P S	K I T	Description	Dénomination	Bezeichnung	품명	Denominación	Notes
		1	2	3								
1	SA 1172-03420	12				Shim.....	Cale Reglage .....	Nachstellblech .....	심 .....	Cuna de calzar.....	1,0t	
	SA 1070-61272		12			Shim.....	Rondelle ajustement ..	Passscheibe .....	심 .....	Arandela Ajuste.....	1,0t	
2	SA 9524-00106	4				Ring.....	Anneau.....	Ring.....	링 .....	Anillo.....		
	SA 9524-00127		4			Ring.....	Anneau.....	Ring.....	링 .....	Anillo.....		
3	VOE 14510437	1				Pin.....	Fiche .....	Stecker.....	핀 .....	Ficha.....		
	VOE 14512677 ~		1			Pin.....	Goupille.....	Zapfen .....	핀 .....	Pasador.....		
4	VOE 14510438	1				Pin.....	Goupille.....	Zapfen .....	핀 .....	Pasador.....		
	VOE 14512676 .		1			Pin.....	Goupille.....	Zapfen .....	핀 .....	Pasador.....		
5	VOE 983260	2				Screw .....	Vis .....	Schraube .....	스크류 .....	Tornillo.....		
	SA 9011-21623		2			Bolt.....	Boulon.....	Bolzen .....	볼트 .....	Perno.....		
6	VOE 979021	4	4			Nut .....	Ecrou.....	Mutter .....	너트 .....	Tuerca.....		

1	8277566	<b>Varillado para sin chuchara</b> 버킷 미장착시 연결 장치 <b>Gestänge für ohne Löffel</b> <b>Articulation pour sans Godet</b> <b>Linkage for no bucket</b>	Catalogue id	Group
2	8277886		<b>56141</b>	<b>925</b>
3			Illustr. No	Section
4			<b>TA280</b>	<b>1500</b>
5			Issue	Page
			<b>VOE 7414356141</b>	<b>597</b>

**VOLVO**

**EC210B**

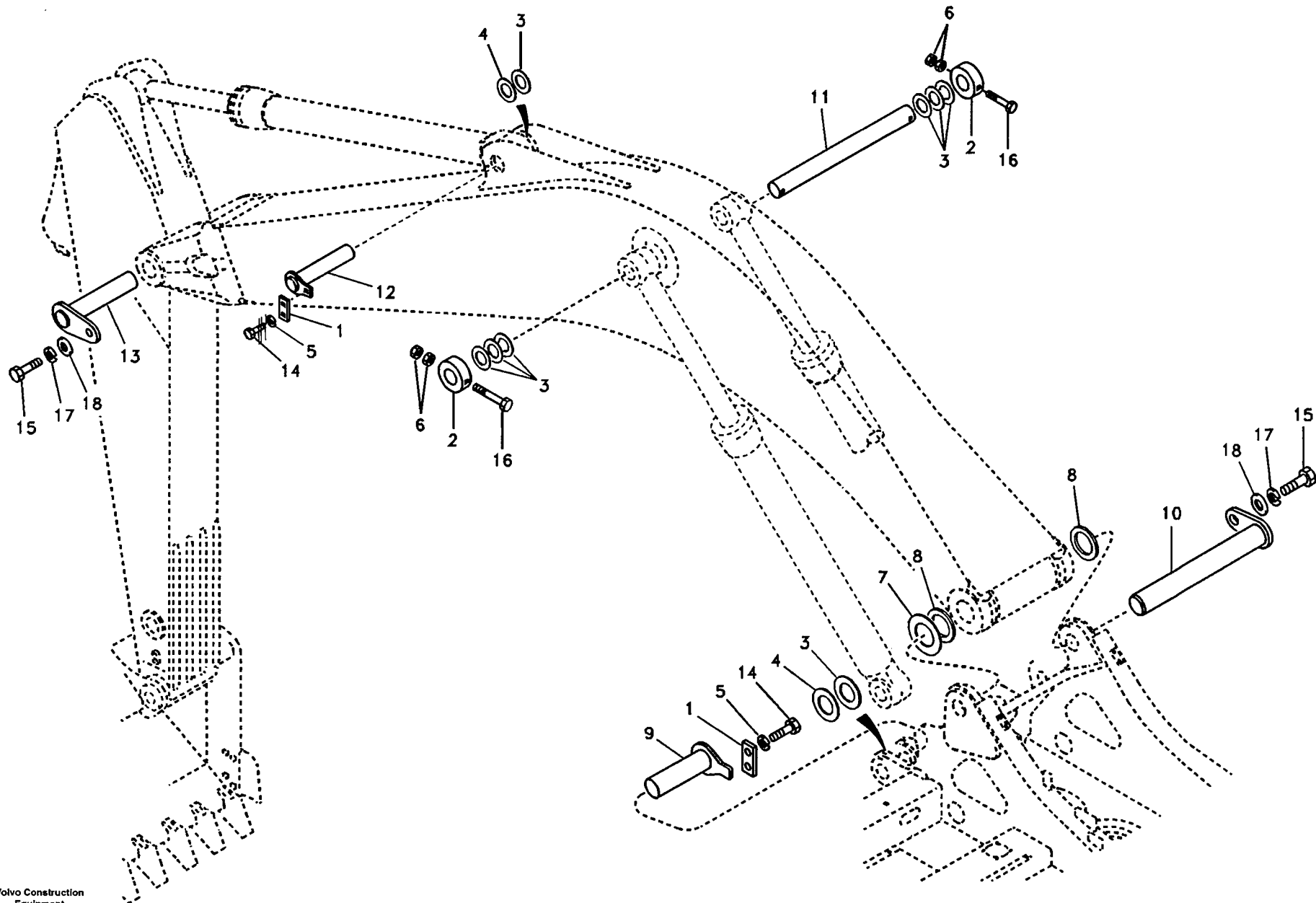


Fig.	Part No.	Quantity					P S	K I T	Description	Dénomination	Bezeichnung	품명	Denominación	Notes
		1	2	3	4	5								
1	SA 1073-00570	3	3	3	3			Plate.....	Plaque .....	Platte .....	플레이트 .....	Placa.....		
2	SA 1073-00320	2	2	2	2			Lock .....			록 .....			
3	SA 1173-00180	9	9	9	9			Shim.....	Cale Reglage .....	Nachstellblech.....	심 .....	Cuna de calzar.....	1,0mm	
4	SA 1173-00190	3	3	3	3			Shim.....	Cale Reglage .....	Nachstellblech.....	심 .....	Cuna de calzar.....	0,5mm	
5	VOE 955926	6	6	6	6			Spring Washer.....	Rondelle ressort .....	Federscheibe .....	스프링 와셔 .....	Arandela resorte.....		
6	VOE 979021	4	4	4	4			Nut .....	Ecrou .....	Mutter .....	너트 .....	Tuerca.....		
7	SA 1173-00390	1	1	1	1			Shim.....	Rondelle ajusteme..	Passscheibe.....	심 .....	Arandela Ajuste.....	0,5mm	
8	VOE 14503885	2	2	2	2			Seal.....	Plomb .....	Plombe .....	시일 .....	Ploma.....		
9	VOE 14512495	2	2	2	2			Pin.....	Goupille .....	Zapfen .....	핀 .....	Pasador.....		
10	VOE 14512691	1	1	1	1			Pin.....	Goupille .....	Zapfen .....	핀 .....	Pasador.....		
11	VOE 14512692	1	1	1	1			Pin.....	Goupille .....	Zapfen .....	핀 .....	Pasador.....		
12	VOE 14510959	1	1	1	1			Pin.....	Goupille .....	Zapfen .....	핀 .....	Pasador.....		
13	VOE 14512693	1	1	1	1			Pin.....	Goupille .....	Zapfen .....	핀 .....	Pasador.....		
14	SA 9011-11606	6	6	6	6			Bolt.....	Boulon .....	Bolzen .....	볼트 .....	Perno.....		
15	SA 9011-12008	2	2	2	2			Bolt.....	Boulon .....	Bolzen .....	볼트 .....	Perno.....		
16	SA 9011-21626	2	2	2	2			Bolt.....	Boulon .....	Bolzen .....	볼트 .....	Perno.....		
17	SA 9213-20000	2	2	2	2			Washer .....	Rondelle .....	Scheibe .....	와셔 .....	Arandela.....		
18	SA 9299-00080	2	2	2	2			Washer .....	Rondelle .....	Scheibe .....	와셔 .....	Arandela.....		

1	8277825	<b>Articulacions a pluma</b> <b>뿔 연결 장치</b> <b>Gelenke zu Ausleger</b> <b>Articulations vers flèche</b> <b>Links to boom</b>	Catalogue id	Group
2	8277826		<b>56141</b>	<b>974</b>
3	8278170		Illustr. No	Section
4	8278172		<b>TA281</b>	<b>100</b>
5			Issue	Page
			<b>VOE 7414356141</b>	<b>599</b>



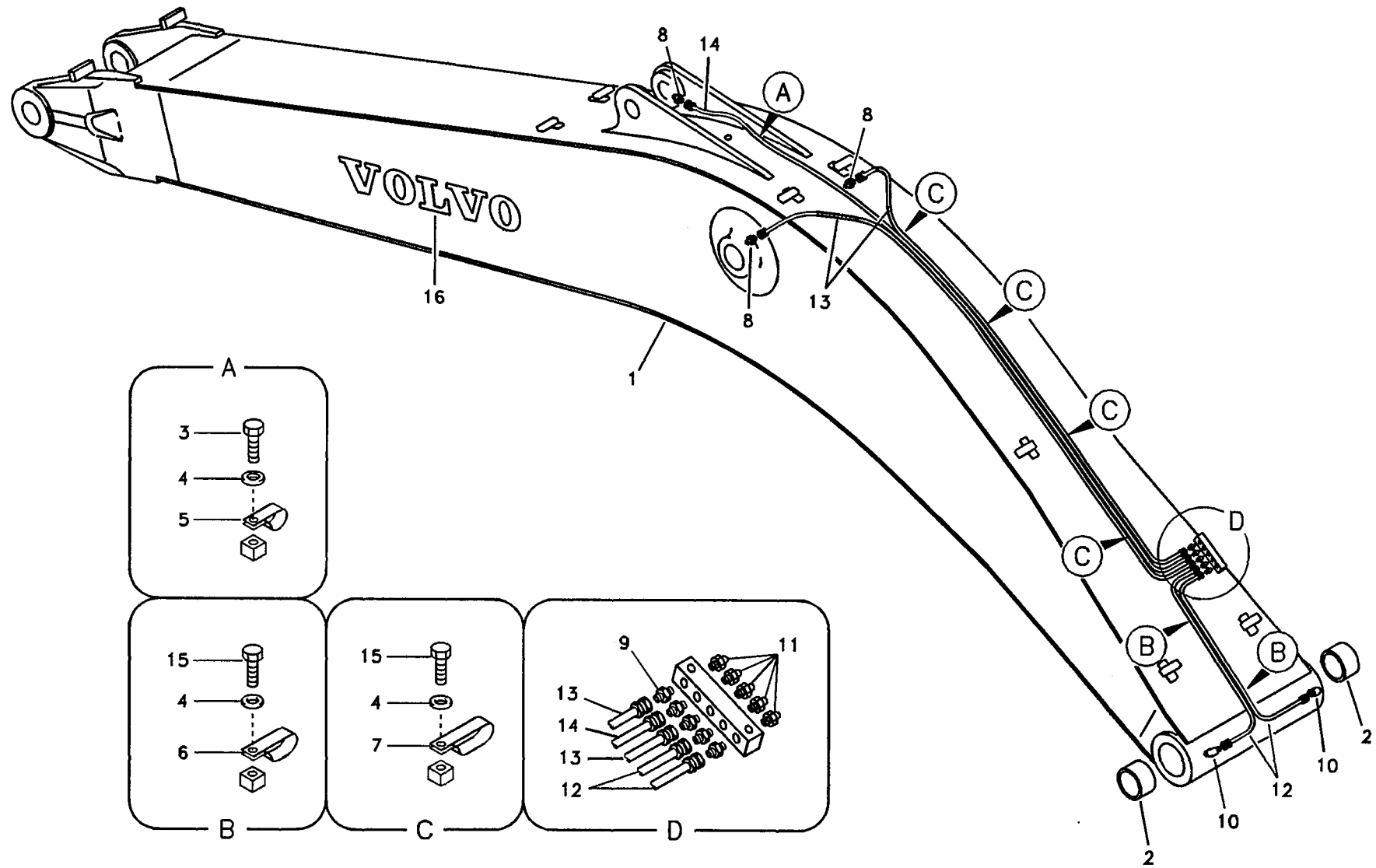


Fig.	Part No.	Quantity					P S	K I T	Description	Dénomination	Bezeichnung	품명	Denominación	Notes
		1	2	3	4	5								
1	VOE 14511492	1						Boom .....	Fleche .....	Ausleger .....	붐 .....	Pluma.....	5,7m	
	VOE 14511870		1					Boom .....	Fleche .....	Ausleger .....	붐 .....	Pluma.....	5,7m H.D	
	VOE 14514729			1				Boom .....	Fleche .....	Ausleger .....	붐 .....	Pluma.....	5,7m	
	VOE 14514730				1			Boom .....	Fleche .....	Ausleger .....	붐 .....	Pluma.....	5,7m H.D	
2	VOE 14512446	2	2					•Bushing .....	•Bague.....	•Buchse.....	•부싱 .....	•Casquilla.....		
	VOE 14514447			2	2			•Bushing .....	•Bague.....	•Buchse.....	•부싱 .....	•Casquilla.....		
3	SA 9011-10802	1	1	1	1			Bolt.....	Boulon .....	Bolzen .....	볼트 .....	Perno.....		
4	SA 9211-08000	7	7	7	7			Washer .....	Rondelle .....	Scheibe .....	와셔 .....	Arandela.....		
5	SA 9315-01002	1	1	1	1			Clip.....	Clip .....	Klemme .....	클립 .....	Clip.....		
6	SA 9316-11002	2	2	2	2			Clip.....	Clip .....	Klemme .....	클립 .....	Clip.....		
7	SA 9349-00160	4	4	4	4			Clip.....	Clip .....	Klemme .....	클립 .....	Clip.....		
8	SA 9412-43020	3	3	3	3			Connector .....	Raccord .....	Anschluss .....	커넥터.....	Union.....		
9	SA 9412-43110	5	5	5	5			Connector .....	Raccord .....	Anschluss .....	커넥터.....	Union.....		
10	SA 9413-43020	2	2	2	2			Elbow .....	Coude .....	Winkelstueck .....	엘보 .....	Codo.....		
11	SA 9481-11003	5	5	5	5			Nipple.....	Raccord .....	Nippel.....	니플 .....	Niple.....		
12	SA 9482-02119	2	2	2	2			Hose .....	Durit.....	Schlauch .....	호스 .....	Tubo flexible.....		
13	SA 9482-02150	2	2	2	2			Hose .....	Durit.....	Schlauch .....	호스 .....	Tubo flexible.....		
14	SA 9482-02161	1	1	1	1			Hose .....	Durit.....	Schlauch .....	호스 .....	Tubo flexible.....		
15	VOE 983241	6	6	6	6			Screw.....	Vis .....	Schraube .....	스크류.....	Tornillo.....		
16	VOE 14510755	2	2	2	2			Decal.....	Decalcomanie.....	Abziehbild .....	데칼 .....	Decalcomania.....		

1	8277825	<b>Pluma y conducto de lubricación</b> <b>붐 및 윤활 배관</b> <b>Ausleger und Schmierleitungen</b> <b>Flèche et conduit de graissage</b> <b>Boom and grease piping</b>	Catalogue id	Group
2	8277826		<b>56141</b>	<b>974</b>
3	8278170		Illustr. No	Section
4	8278172		<b>TA282</b>	<b>300</b>
5			Issue	Page
			<b>VOE 7414356141</b>	<b>601</b>

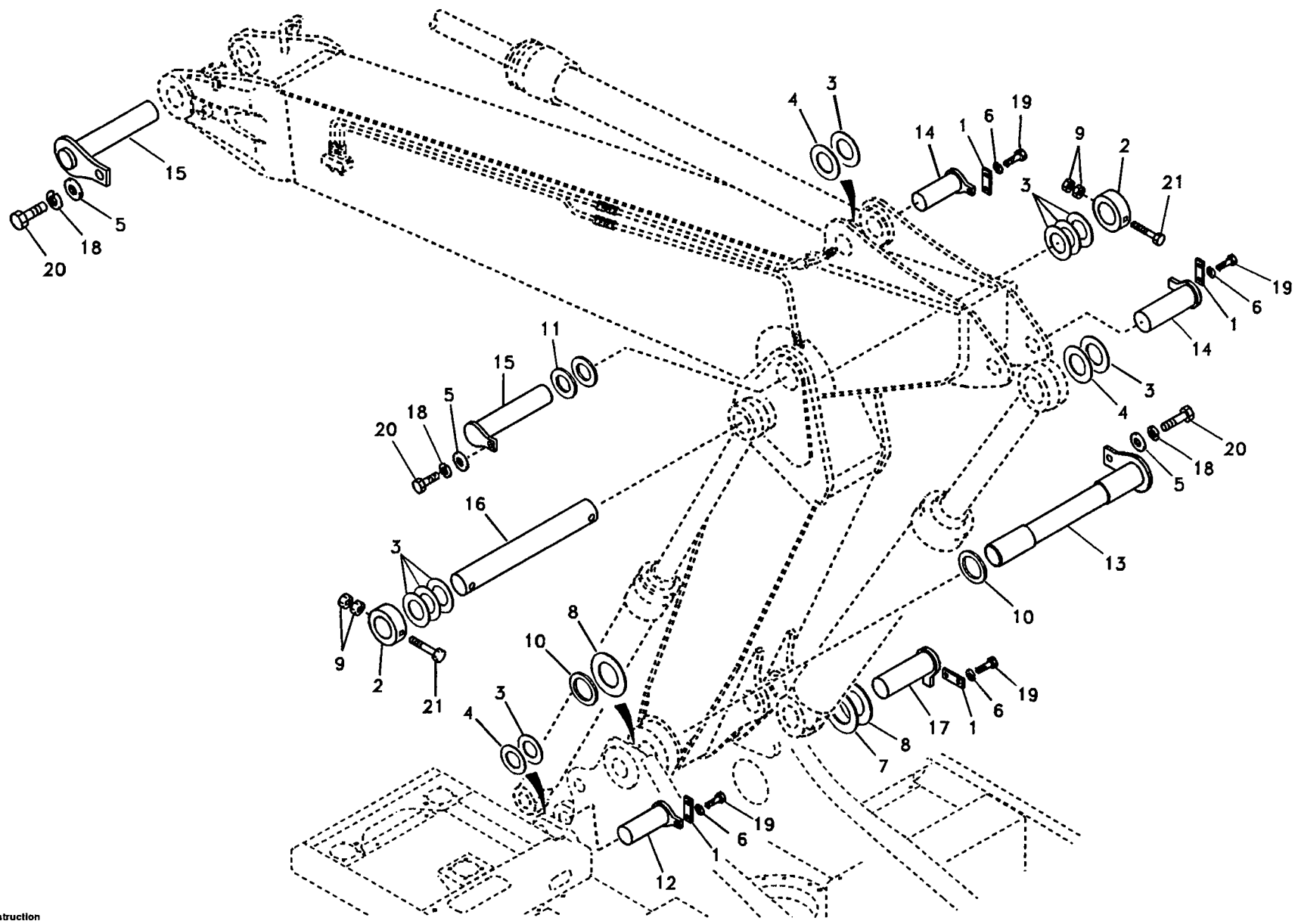


Fig.	Part No.	Quantity			P S	K I T	Description	Dénomination	Bezeichnung	품명	Denominación	Notes
		1	2	3								
1	SA 1073-00570	5	5			Plate.....	Plaque.....	Platte.....	플레이트.....	Placa.....		
2	SA 1073-00320	2	2			Lock.....			록.....			
3	SA 1173-00180	10	10			Shim.....	Cale Reglage.....	Nachstellblech.....	심.....	Cuna de calzar.....	1,0mm	
4	SA 1173-00190	4	4			Shim.....	Cale Reglage.....	Nachstellblech.....	심.....	Cuna de calzar.....	0,5mm	
5	SA 9299-00080	3	3			Washer.....	Rondelle.....	Scheibe.....	와셔.....	Arandela.....		
6	VOE 955926	10	10			Spring Washer.....	Rondelle ressort.....	Federscheibe.....	스프링 와셔.....	Arandela resorte.....		
7	SA 1173-00200	1	1			Shim.....	Rondelle ajustement..	Passscheibe.....	심.....	Arandela Ajuste.....	1,0mm	
8	SA 1173-00390	2	2			Shim.....	Rondelle ajustement..	Passscheibe.....	심.....	Arandela Ajuste.....	0,5mm	
9	VOE 979021	4	4			Nut.....	Ecrou.....	Mutter.....	너트.....	Tuerca.....		
10	VOE 14503885	2	2			Seal.....	Plomb.....	Plombe.....	시일.....	Plomo.....		
11	VOE 14503886	2	2			Seal.....	Joint.....	Dichtring.....	시일.....	Junta.....		
12	VOE 14512495	2	2			Pin.....	Goupille.....	Zapfen.....	핀.....	Pasador.....		
13	VOE 14512691	1	1			Pin.....	Goupille.....	Zapfen.....	핀.....	Pasador.....		
14	VOE 14517051	2	2			Pin.....	Goupille.....	Zapfen.....	핀.....	Pasador.....		
15	VOE 14512693	2	2			Pin.....	Goupille.....	Zapfen.....	핀.....	Pasador.....		
16	VOE 14511651	1	1			Pin.....	Goupille.....	Zapfen.....	핀.....	Pasador.....		
17	VOE 14511653	1	1			Pin.....	Goupille.....	Zapfen.....	핀.....	Pasador.....		
18	SA 9213-20000	3	3			Washer.....	Rondelle.....	Scheibe.....	와셔.....	Arandela.....		
19	SA 9011-11606	10	10			Bolt.....	Boulon.....	Bolzen.....	볼트.....	Perno.....		
20	SA 9011-12008	3	3			Bolt.....	Boulon.....	Bolzen.....	볼트.....	Perno.....		
21	SA 9011-21626	2	2			Bolt.....	Boulon.....	Bolzen.....	볼트.....	Perno.....		

1	8277828	<b>Enlaces a la pluma, ajustable</b> 조절 붐 연결 장치 <b>Verbindungen zu stellbarem Ausleger</b> <b>Articulations de flèche, réglable</b> <b>Links to boom, adjustable</b>	Catalogue id	Group
2	8278176		<b>56141</b>	<b>974</b>
3			Illustr. No	Section
4			<b>TA283</b>	<b>1000</b>
5			Issue	Page
			<b>VOE 7414356141</b>	<b>603</b>

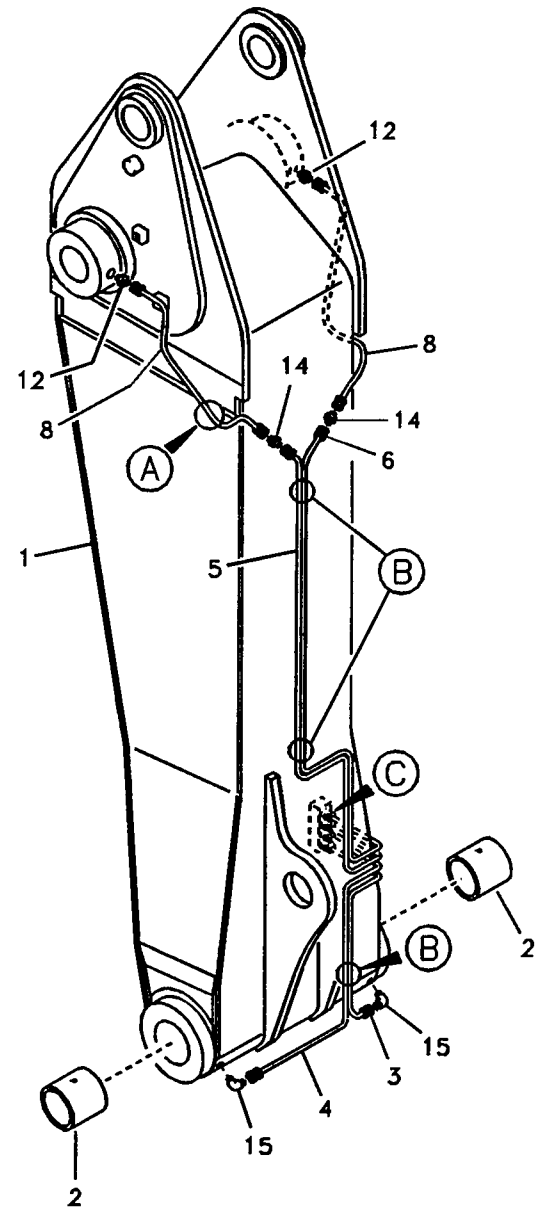
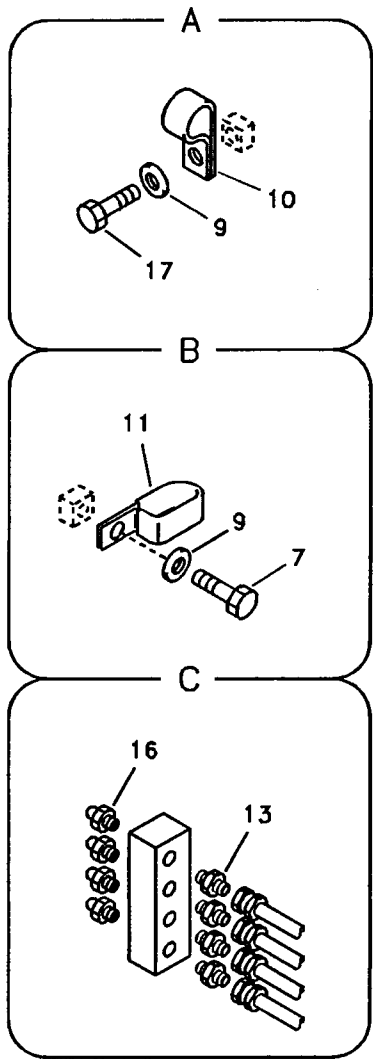


Fig.	Part No.	Quantity			P S	K I T	Description	Dénomination	Bezeichnung	품명	Denominación	Notes
		1	2	3								
1	VOE 14511905	1				Boom.....	Fleche .....	Ausleger .....	봉 .....	Pluma.....	5,57m	
	VOE 14514731		1			Boom.....	Fleche .....	Ausleger .....	봉 .....	Pluma.....	5,57m	
2	VOE 14512446	2				•Bushing.....	•Bague .....	•Buchse .....	•부싱 .....	•Casquillo.....		
	VOE 14514447		2			•Bushing.....	•Bague .....	•Buchse .....	•부싱 .....	•Casquillo.....		
3	VOE 14512976	1	1			Pipe.....	Canalisation .....	Rohrleitung .....	파이프 .....	Canalización.....		
4	VOE 14512977	1	1			Pipe.....	Canalisation .....	Rohrleitung .....	파이프 .....	Canalización.....		
5	VOE 14512978	1	1			Pipe.....	Canalisation .....	Rohrleitung .....	파이프 .....	Canalización.....		
6	VOE 14512979	1	1			Pipe.....	Canalisation .....	Rohrleitung .....	파이프 .....	Canalización.....		
7	SA 9011-10802	3	3			Bolt.....	Boulon .....	Bolzen.....	볼트 .....	Perno.....		
8	SA 9482-02120	2	2			Hose.....	Durit .....	Schlauch .....	호스 .....	Tubo flexible.....		
9	SA 9211-08000	5	5			Washer.....	Rondelle.....	Scheibe .....	와셔 .....	Arandela.....		
10	SA 9315-01002	2	2			Clip.....	Clip.....	Klemme .....	클립 .....	Clip.....		
11	SA 9316-00801	3	3			Clip.....	Clip.....	Klemme .....	클립 .....	Clip.....		
12	SA 9412-43020	2	2			Connector .....	Raccord.....	Anschluss .....	커넥터 .....	Union.....		
13	SA 9433-11111	4	4			Connector .....	Raccord.....	Anschluss .....	커넥터 .....	Union.....		
14	SA 9433-25111	2	2			Connector .....	Raccord.....	Anschluss .....	커넥터 .....	Union.....		
15	SA 9433-31150	2	2			Elbow .....	Coude .....	Winkelstueck .....	엘보 .....	Coda.....		
16	SA 9481-21002	4	4			Nipple.....	Raccord.....	Nippel .....	니플 .....	Niple.....		
17	VOE 983241	2	2			Screw.....	Vis.....	Schraube .....	스크류 .....	Tornillo.....		

1	8277828	<b>Pluma y tubería de engrase, ajustable 1a.</b> 1 단 조절 붓 및 윤활 배관 <b>Ausleger und Schmierleitungen, stellbarem 1.</b> <b>Flèche et tuyauterie de lubrification, réglable 1er</b> <b>Boom and grease piping, adjustable 1st</b>	Catalogue id	Group
2	8278176		<b>56141</b>	<b>974</b>
3			Illustr. No	Section
4			<b>TA284</b>	<b>1200</b>
5			Issue	Page
			<b>VOE 7414356141</b>	<b>605</b>

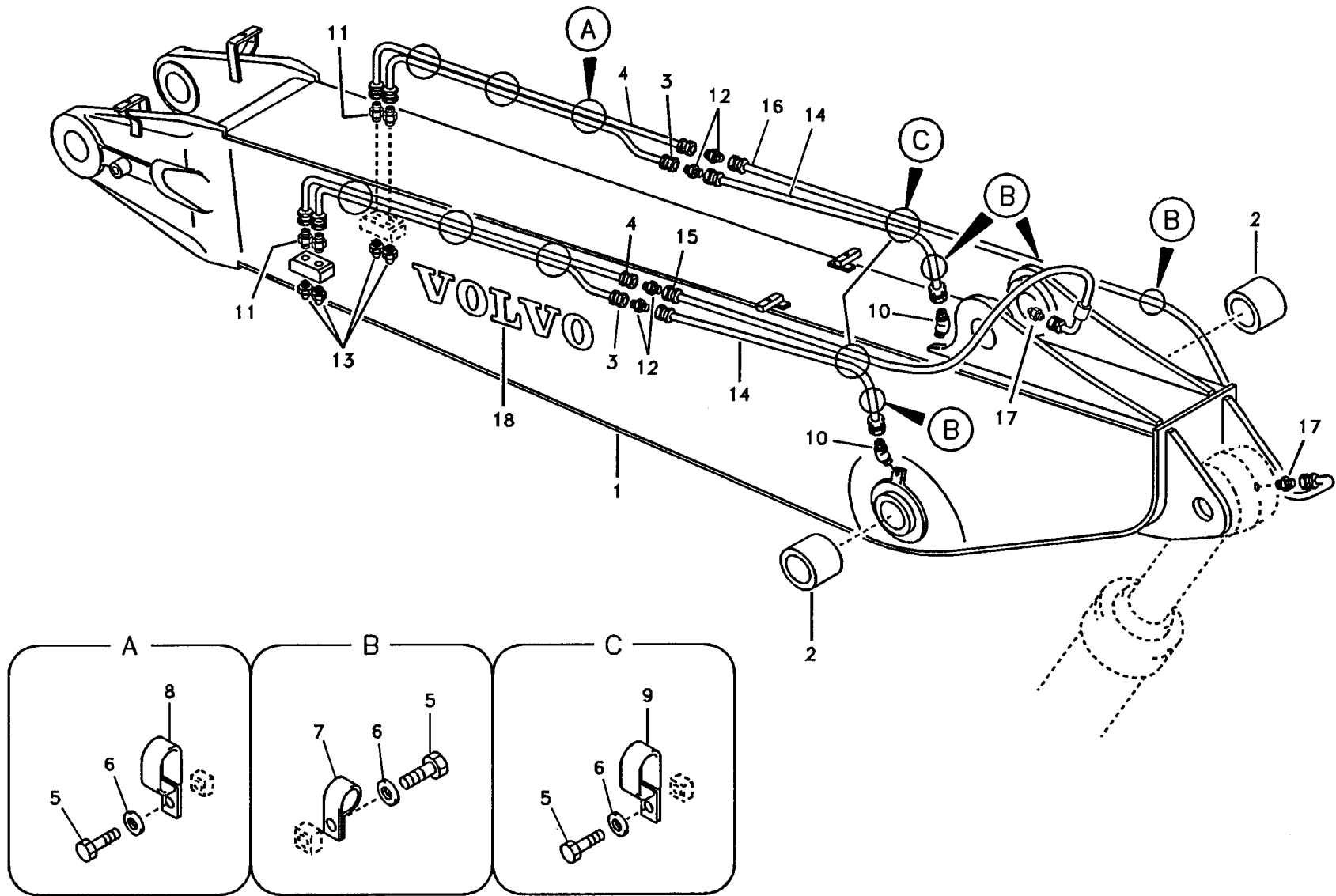


Fig.	Part No.	Quantity			P S	K I T	Description	Dénomination	Bezeichnung	품명	Denominación	Notes
		1	2	3								
1	VOE 14512032	1				Boom.....	Fleche .....	Ausleger .....	붐 .....	Pluma.....		
	VOE 14514732		1			Boom.....	Fleche .....	Ausleger .....	붐 .....	Pluma.....		
2	VOE 14512696	2				•Bushing.....	•Bague .....	•Buchse .....	•부싱 .....	•Casquillo.....		
	VOE 14514448		2			•Bushing.....	•Bague .....	•Buchse .....	•부싱 .....	•Casquillo.....		
3	SA 1173-03340	2	2			Pipe.....	Canalisation .....	Rohrleitung .....	파이프 .....	Canalización.....		
4	SA 1173-03350	2	2			Pipe.....	Canalisation .....	Rohrleitung .....	파이프 .....	Canalización.....		
5	SA 9011-10802	12	12			Bolt.....	Boulon .....	Bolzen.....	볼트 .....	Perno.....		
6	SA 9211-08000	12	12			Washer.....	Rondelle.....	Scheibe .....	와셔 .....	Arandela.....		
7	SA 9315-01002	4	4			Clip.....	Clip.....	Klemme .....	클립 .....	Clip.....		
8	SA 9316-00801	6	6			Clip.....	Clip.....	Klemme .....	클립 .....	Clip.....		
9	SA 9316-11002	2	2			Clip.....	Clip.....	Klemme .....	클립 .....	Clip.....		
10	SA 9414-43090	2	2			Elbow .....	Coude .....	Winkelstueck .....	엘보 .....	Coda.....		
11	SA 9433-11111	4	4			Connector .....	Raccord.....	Anschluss .....	커넥터 .....	Union.....		
12	SA 9433-25111	4	4			Connector .....	Raccord.....	Anschluss .....	커넥터 .....	Union.....		
13	SA 9481-21002	4	4			Nipple.....	Raccord.....	Nippel .....	니플 .....	Niple.....		
14	SA 9482-02119	2	2			Hose.....	Durit .....	Schlauch .....	호스 .....	Tubo flexible.....		
15	SA 9482-02424	1	1			Hose.....	Durit .....	Schlauch .....	호스 .....	Tubo flexible.....		
16	SA 9482-02441	1	1			Hose.....	Durit .....	Schlauch .....	호스 .....	Tubo flexible.....		
17	SA 9412-43020	2	2			Connector .....	Raccord.....	Anschluss .....	커넥터 .....	Union.....		
18	SA 1192-03840	2	2			Decal.....	Decalcomanie .....	Abziehbild .....	데칼 .....	Decalcomania.....		

1	8277828	<b>Pluma y tubería de engrase, ajustable 2a.</b> 2 단 조절 붐 및 윤활 배관 <b>Ausleger und Schmierleitungen, stellbarem 2.</b> <b>Flèche et tuyauterie de lubrification, réglable 2nd</b> <b>Boom and grease piping, adjustable 2nd</b>	Catalogue id	Group
2	8278176		56141	974
3			Illustr. No	Section
4			TA285	1300
5			Issue	Page
			VOE 7414356141	607



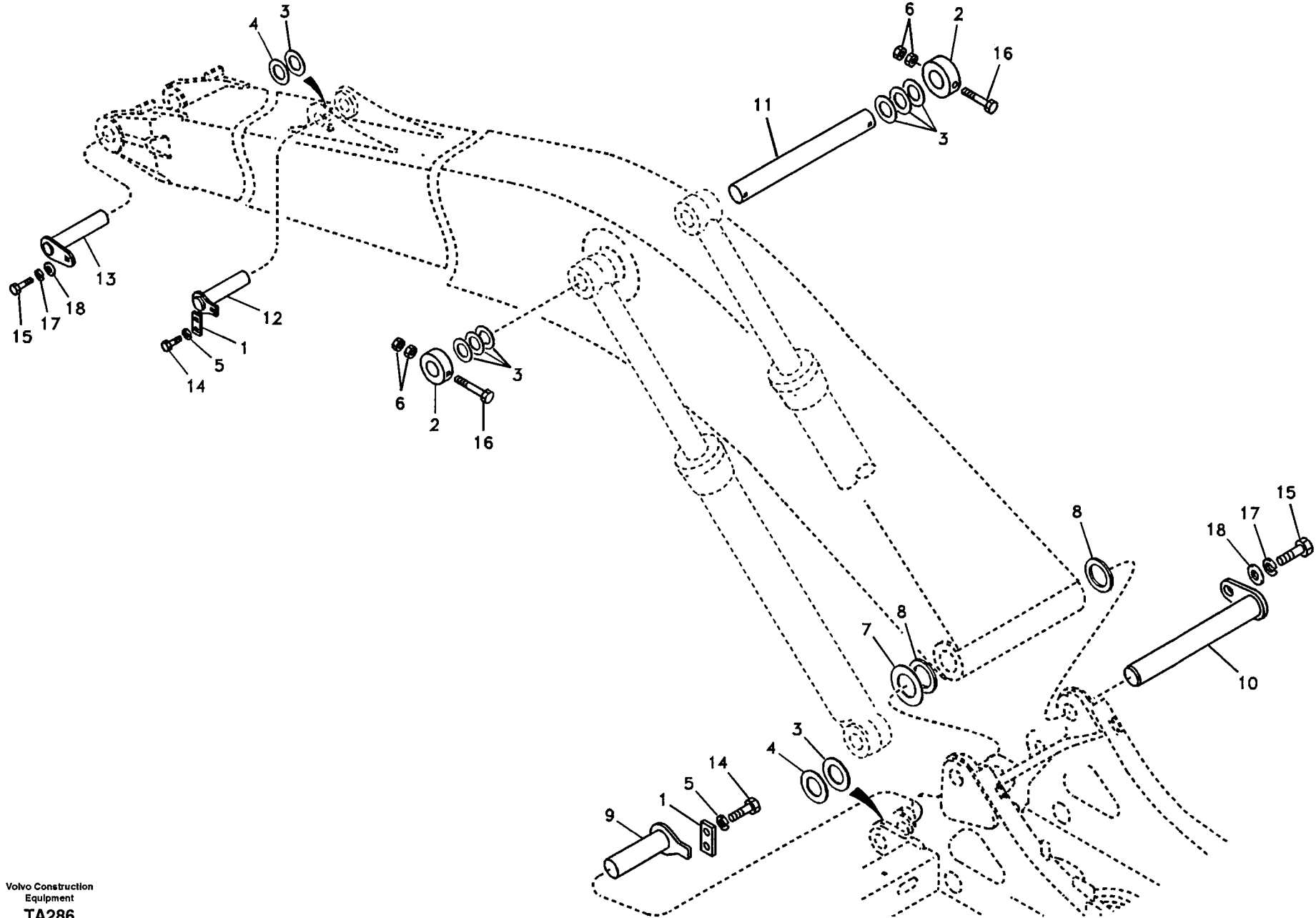


Fig.	Part No.	Quantity			P S	K T	Description	Dénomination	Bezeichnung	품명	Denominación	Notes
		1	2	3								
1	SA 1073-00570	3	3			Plate.....	Plaque.....	Platte.....	플레이트.....	Placa.....		
2	SA 1073-00320	2	2			Lock.....			록.....			
3	SA 1173-00180	9	9			Shim.....	Cale Reglage.....	Nachstellblech.....	심.....	Cuna de calzar.....	1,0mm	
4	SA 1173-00190	3	3			Shim.....	Cale Reglage.....	Nachstellblech.....	심.....	Cuna de calzar.....	0,5mm	
5	VOE 955926	6	6			Spring Washer.....	Rondelle ressort.....	Federscheibe.....	스프링 와셔.....	Arandela resorte.....		
6	VOE 979021	4	4			Nut.....	Ecrou.....	Mutter.....	너트.....	Tuerca.....		
7	SA 1173-00390	1	1			Shim.....	Rondelle ajustement..	Passscheibe.....	심.....	Arandela Ajuste.....	0,5mm	
8	VOE 14503885	2	2			Seal.....	Plomb.....	Plombe.....	시일.....	Plomo.....		
9	VOE 14512495	2	2			Pin.....	Goupille.....	Zapfen.....	핀.....	Pasador.....		
10	VOE 14512691	1	1			Pin.....	Goupille.....	Zapfen.....	핀.....	Pasador.....		
11	VOE 14512692	1	1			Pin.....	Goupille.....	Zapfen.....	핀.....	Pasador.....		
12	VOE 14510959	1	1			Pin.....	Goupille.....	Zapfen.....	핀.....	Pasador.....		
13	VOE 14512693	1	1			Pin.....	Goupille.....	Zapfen.....	핀.....	Pasador.....		
14	SA 9011-11606	6	6			Bolt.....	Boulon.....	Bolzen.....	볼트.....	Perno.....		
15	SA 9011-12008	2	2			Bolt.....	Boulon.....	Bolzen.....	볼트.....	Perno.....		
16	SA 9011-21626	2	2			Bolt.....	Boulon.....	Bolzen.....	볼트.....	Perno.....		
17	SA 9213-20000	2	2			Washer.....	Rondelle.....	Scheibe.....	와셔.....	Arandela.....		
18	SA 9299-00080	2	2			Washer.....	Rondelle.....	Scheibe.....	와셔.....	Arandela.....		

1	8277827	<b>Articulacions a pluma, alcance largo</b> <b>롱 리치 붐 연결 장치</b> <b>Gelenke zu Ausleger, lang Ausladung</b> <b>Articulacions vers flèche, étendue longue</b> <b>Links to boom, long reach</b>	Catalogue id	Group
2	8278174		<b>56141</b>	<b>974</b>
3			Illustr. No	Section
4			<b>TA286</b>	<b>2000</b>
5			Issue	Page
			<b>VOE 7414356141</b>	<b>609</b>

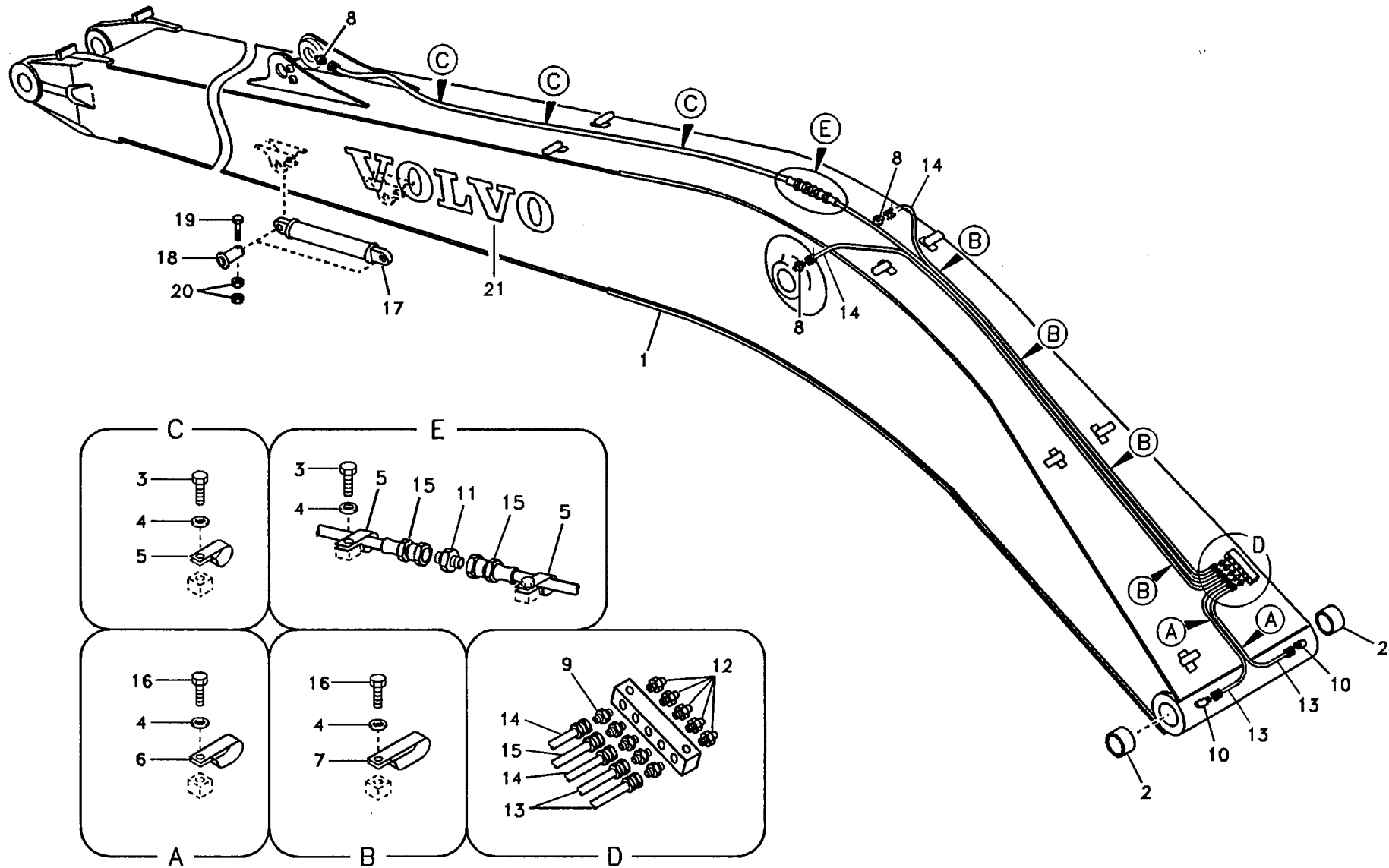


Fig.	Part No.	Quantity			P S	K I T	Description	Dénomination	Bezeichnung	품명	Denominación	Notes
		1	2	3								
1	VOE 14510281	1				Boom.....	Fleche .....	Ausleger .....	붐 .....	Pluma.....	8,85m Long reach	
	VOE 14514733		1			Boom.....	Fleche .....	Ausleger .....	붐 .....	Pluma.....	8,85m Long reach	
2	VOE 14512446	2				•Bushing.....	•Bague .....	•Buchse .....	•부싱 .....	•Casquillo.....		
	VOE 14514447		2			•Bushing.....	•Bague .....	•Buchse .....	•부싱 .....	•Casquillo.....		
3	SA 9011-10802	5	5			Bolt.....	Boulon .....	Bolzen.....	볼트 .....	Perno.....		
4	SA 9211-08000	11	11			Washer.....	Rondelle.....	Scheibe .....	와셔 .....	Arandela.....		
5	SA 9315-01002	5	5			Clip.....	Clip.....	Klemme .....	클립 .....	Clip.....		
6	SA 9316-11002	2	2			Clip.....	Clip.....	Klemme .....	클립 .....	Clip.....		
7	SA 9349-00160	4	4			Clip.....	Clip.....	Klemme .....	클립 .....	Clip.....		
8	SA 9412-43020	3	3			Connector .....	Raccord.....	Anschluss .....	커넥터 .....	Union.....		
9	SA 9412-43110	5	5			Connector .....	Raccord.....	Anschluss .....	커넥터 .....	Union.....		
10	SA 9413-43020	2	2			Elbow .....	Coude .....	Winkelstueck .....	엘보 .....	Codo.....		
11	SA 9416-11021	1	1			Connector .....	Raccord.....	Anschluss .....	커넥터 .....	Union.....		
12	SA 9481-11003	5	5			Nipple.....	Raccord.....	Nippel .....	니플 .....	Niple.....		
13	SA 9482-02119	2	2			Hose.....	Durit .....	Schlauch .....	호스 .....	Tubo flexible.....		
14	SA 9482-02151	2	2			Hose.....	Durit .....	Schlauch .....	호스 .....	Tubo flexible.....		
15	SA 9482-02161	2	2			Hose.....	Durit .....	Schlauch .....	호스 .....	Tubo flexible.....		
16	VOE 983241	6	6			Screw.....	Vis .....	Schraube .....	스크류 .....	Tornillo.....		
17	SA 1073-05290	1	1			Link .....	Articulation .....	Gelenk .....	링크 .....	Articulacion.....		
18	SA 1073-05300	2	2			Pin.....	Fiche .....	Stecker.....	핀 .....	Ficha.....		
19	SA 9011-21215	2	2			Bolt.....	Boulon .....	Bolzen.....	볼트 .....	Perno.....		
20	VOE 979019	4	4			Nut .....	Ecrou.....	Mutter .....	너트 .....	Tuerca.....		
21	VOE 14510755	2	2			Decal.....	Decalcomanie .....	Abziehbild .....	데칼 .....	Decalcomania.....		

1	8277827	<b>Pluma y conducto de lubricación, alcance largo</b> <b>롱 리치 붐 및 그리스 배관</b> <b>Ausleger und Schmierleitungen, lang Ausladung</b> <b>Flèche et conduit de graissage, étendue longue</b> <b>Boom and grease piping, long reach</b>	Catalogue id	Group
2	8278174		<b>56141</b>	<b>974</b>
3			Illustr. No	Section
4			<b>TA287</b>	<b>2100</b>
5			Issue	Page
			<b>VOE 7414356141</b>	<b>611</b>

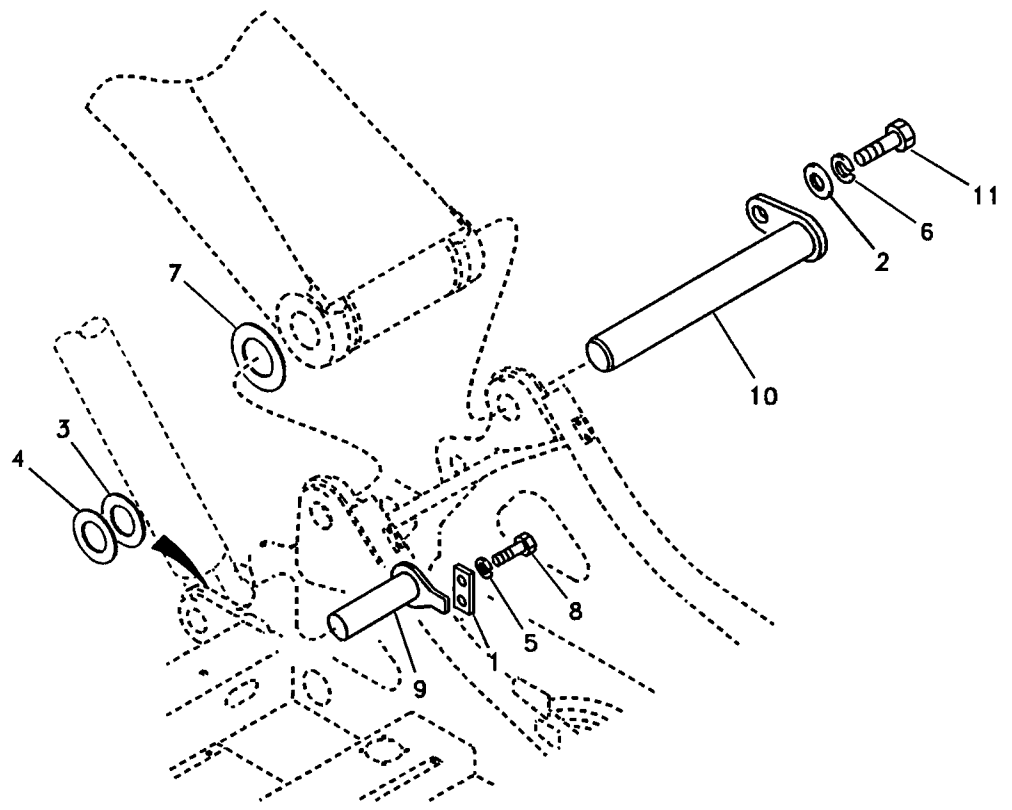


Fig.	Part No.	Quantity			P S	K I T	Description	Dénomination	Bezeichnung	품명	Denominación	Notes
		1	2	3								
1	SA 1073-00570	2				Plate.....	Plaque.....	Platte .....	플레이트 .....	Placa.....		
2	SA 9299-00080	1				Washer.....	Rondelle.....	Scheibe .....	와셔 .....	Arandela.....		
3	SA 1173-00180	2				Shim.....	Cale Reglage .....	Nachstellblech .....	심 .....	Cuna de calzar.....		
4	SA 1173-00190	2				Shim.....	Cale Reglage .....	Nachstellblech .....	심 .....	Cuna de calzar.....		
5	VOE 955926	4				Spring Washer .....	Rondelle ressort.....	Federscheibe.....	스프링 와셔 .....	Arandela resorte.....		
6	SA 9213-20000	1				Washer.....	Rondelle.....	Scheibe .....	와셔 .....	Arandela.....		
7	SA 1173-00390	1				Shim.....	Rondelle ajustement ..	Passscheibe .....	심 .....	Arandela Ajuste.....		
8	SA 9011-11606	4				Bolt.....	Boulon.....	Bolzen.....	볼트 .....	Perno.....		
9	VOE 14512495	2				Pin.....	Goupille.....	Zapfen .....	핀 .....	Pasador.....		
10	VOE 14512691	1				Pin.....	Goupille.....	Zapfen .....	핀 .....	Pasador.....		
11	SA 9011-12008	1				Bolt.....	Boulon.....	Bolzen.....	볼트 .....	Perno.....		

1	8277824	<b>Enlaces a la pluma, no sólo pluma</b> <b>뿔 연결 장치 - 뿔 미장착시</b> <b>Verbindungen zu Ausleger, ohne Ausleger</b> <b>Articulations de flèche, sans flèche</b> <b>Links to no boom</b>	Catalogue id	Group
2			<b>56141</b>	<b>974</b>
3			Illustr. No	Section
4			<b>TA288</b>	<b>2500</b>
5			Issue	Page
		<b>VOE 7414356141</b>	<b>613</b>	

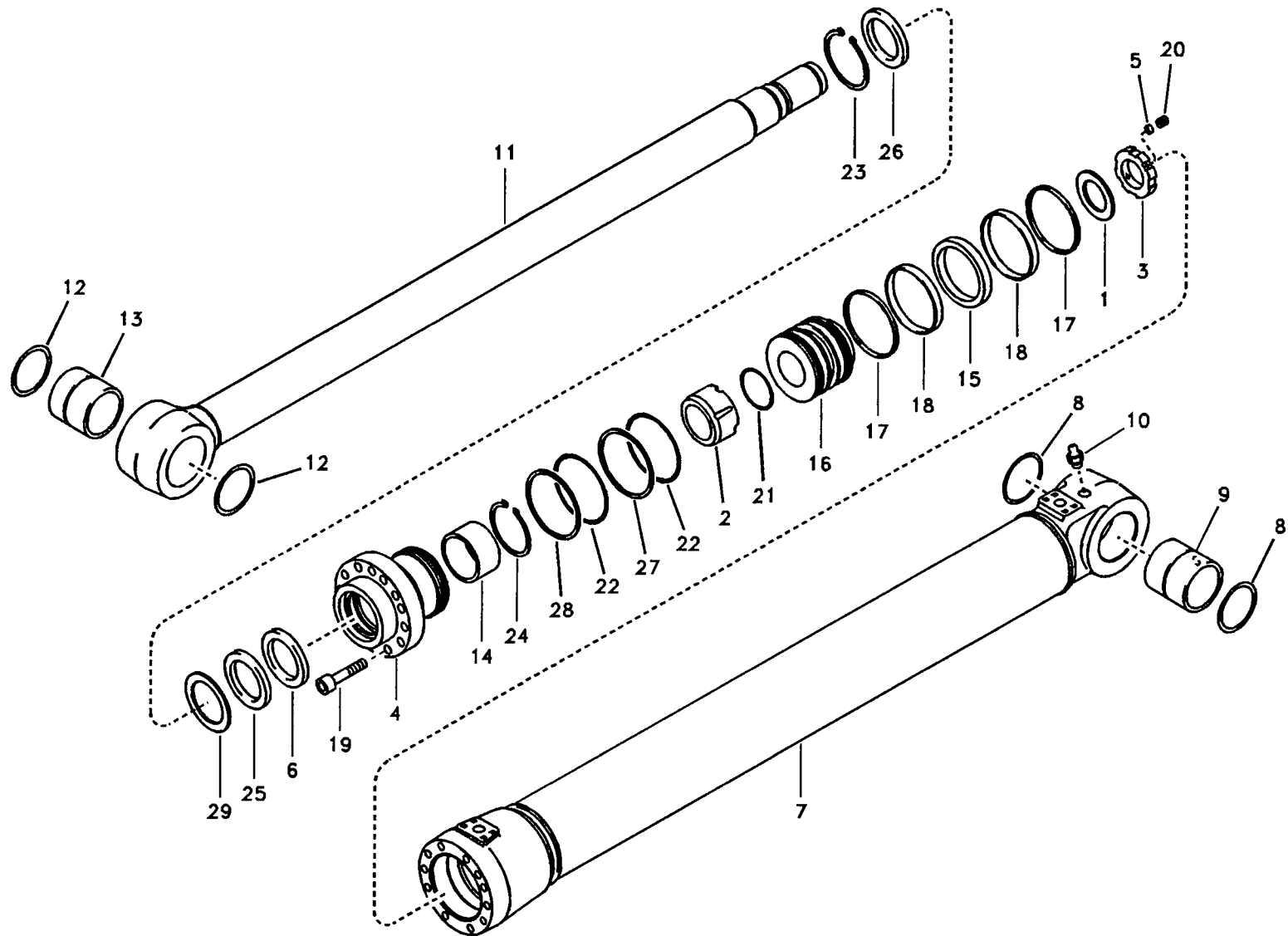


Fig.	Part No.	Quantity			P S	K T	Description	Dénomination	Bezeichnung	품명	Denominación	Notes
		1	2	3								
	VOE 14512428	2					Boom Cylinder .....	Verin de fleche .....	Auslegerzylinder.....	붐 실린더 .....	Maquina de flecha.....	
	VOE 14514849		2				Boom Cylinder .....	Verin de fleche .....	Auslegerzylinder.....	붐 실린더 .....	Maquina de flecha.....	
1	SA 9216-06520	1	1				•Washer .....	•Rondelle.....	•Scheibe .....	•와셔 .....	•Arandela.....	
2	SA 1146-00220	1	1				•Cushion .....	•Coussin.....	•Sitzkissen.....	•쿠션 .....	•Cojin.....	
3	SA 1146-06880	1	1				•Lock Nut .....	•Contre-ecrou.....	•Sicher Mutter.....	•록 너트 .....	•Contratuerca.....	
4	VOE 14517620	1					•Head .....	•Tete.....	•Kopf .....	•헤드 .....	•Capo.....	
	SA 1146-00210		1				•Head .....	•Tete.....	•Kopf .....	•헤드 .....	•Capo.....	
5	SA 1146-06870	1	1				•Pad .....	•Patin.....	•Belag.....	•패드 .....	•Pastilla.....	
6	SA 1146-08090	1	1		K		•Seal .....	•Plomb.....	•Plombe.....	•시일 .....	•Plomo.....	
7	VOE 14512827	1					•Tube .....	•Tube.....	•Rohr .....	•튜브 .....	•Tubo.....	
	VOE 14515022		1				•Tube .....	•Tube.....	•Rohr .....	•튜브 .....	•Tubo.....	
8	VOE 14503884	2	2				••Seal .....	••Plomb.....	••Plombe.....	••시일 .....	••Plomo.....	
9	VOE 14512447	1					••Bushing .....	••Bague.....	••Buchse.....	••부싱 .....	••Casquillo.....	
	VOE 14511727		1				••Bushing .....	••Bague.....	••Buchse.....	••부싱 .....	••Casquillo.....	
10	SA 9481-10003	1	1				••Nipple .....	••Raccord.....	••Nippel .....	••니플 .....	••Niple.....	
11	VOE 14503436	1					•Rod .....	•Monture.....	•Fuhler.....	•로드 .....	•Varilla.....	
	VOE 14515023		1				•Rod .....	•Monture.....	•Fuhler.....	•로드 .....	•Varilla.....	
12	VOE 14503884	2	2				••Seal .....	••Plomb.....	••Plombe.....	••시일 .....	••Plomo.....	
13	VOE 14512448	1					••Bushing .....	••Bague.....	••Buchse.....	••부싱 .....	••Casquillo.....	
	VOE 14514446		1				••Bushing .....	••Bague.....	••Buchse.....	••부싱 .....	••Casquillo.....	
14	SA 9612-08040	1	1		K		•Bushing.....	•Bague.....	•Buchse.....	•부싱 .....	•Casquillo.....	
15	VOE 14512071	1	1		K		•Seal .....	•Joint.....	•Dichtring.....	•시일 .....	•Junta.....	
16	VOE 14512864	1	1				•Piston.....	•Piston.....	•Kolben.....	•피스톤 .....	•Piston.....	
17	SA 9568-01250	2	2		K		•Seal .....	•Plomb.....	•Plombe.....	•시일 .....	•Plomo.....	
18	SA 9565-11250	2	2		K		•Ring .....	•Anneau.....	•Ring.....	•링 .....	•Anillo.....	
19	VOE 949445	12	12				•Screw.....	•Vis.....	•Schraube.....	•스크류 .....	•Tornillo.....	
20	VOE 963059	1	1				•Set Screw .....	•Vis Butee .....	•Anschlagschraub .....	•세트 스크류 .....	•Tornillo Tope.....	
21	SA 9511-12065	1	1		K		•O-ring.....	•Joint Torique .....	•O-ring.....	•오링 .....	•Junta torica.....	
22	SA 9511-12115	2	2		K		•O-ring.....	•Joint Torique .....	•O-ring.....	•오링 .....	•Junta torica.....	
23	SA 9556-08000	1	1				•Ring .....	•Anneau.....	•Ring.....	•링 .....	•Anillo.....	

1	8277837	<b>Cilindro de pluma</b> <b>붐 실린더</b> <b>Auslegerzylinder</b> <b>Vérin de flèche</b> <b>Boom cylinder</b>	Catalogue id	Group
2	8278187		<b>56141</b>	<b>974</b>
3			Illustr. No	Section
4			<b>TA289</b>	<b>3000</b>
5			Issue	Page
			<b>VOE 7414356141</b>	<b>615</b>



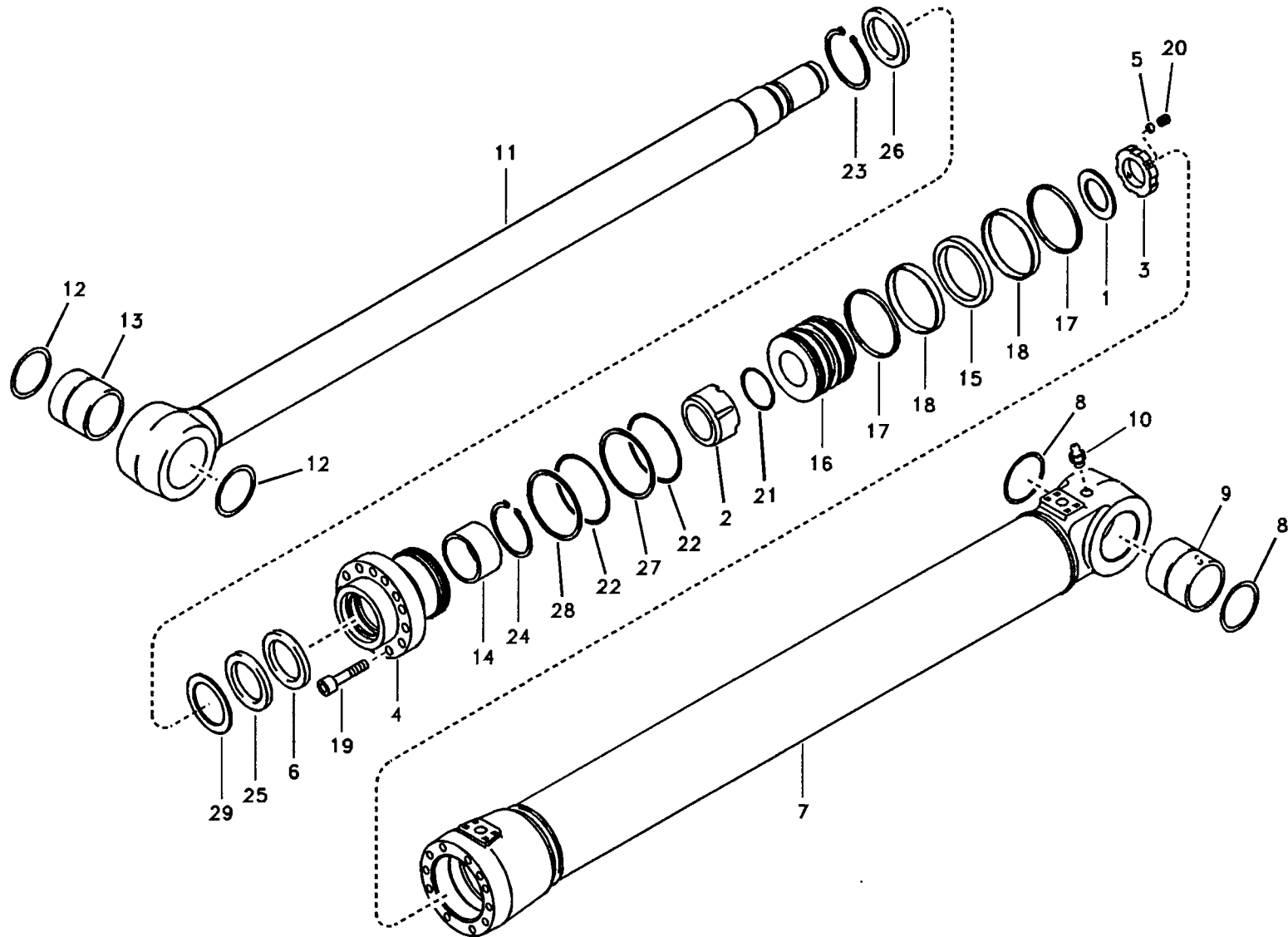


Fig.	Part No.	Quantity			P S	K T	Description	Dénomination	Bezeichnung	품명	Denominación	Notes
		1	2	3								
24	SA 9557-07000	1	1			•Ring .....	•Anneau .....	•Ring.....	• 링.....	•Anillo.....		
25	SA 9563-20801	1	1		K	•Seal .....	•Plomb.....	•Plombe.....	• 시일.....	•Plomo.....		
26	SA 9564-20800	1	1		K	•Seal .....	•Plomb.....	•Plombe.....	• 시일.....	•Plomo.....		
27	SA 9566-31150	1	1		K	•Ring .....	•Anneau .....	•Ring.....	• 링.....	•Anillo.....		
28	SA 9566-11150	1	1		K	•Ring .....	•Anneau .....	•Ring.....	• 링.....	•Anillo.....		
29	SA 9567-20801	1	1		K	•Ring .....	•Anneau .....	•Ring.....	• 링.....	•Anillo.....		
100	VOE 14515051	1	1			Sealing Kit.....	Jeu Joints.....	Dichtungssatz.....	시일 키트.....	Juego Retenes.....		

1	8277837	<b>Cilindro de pluma</b> <b>뿔 실린더</b> <b>Auslegerzylinder</b> <b>Vérin de flèche</b> <b>Boom cylinder</b>	Catalogue id	Group
2	8278187		<b>56141</b>	<b>974</b>
3			Illustr. No	Section
4			<b>TA289</b>	<b>3000</b>
5			Issue	Page
			<b>VOE 7414356141</b>	<b>617</b>

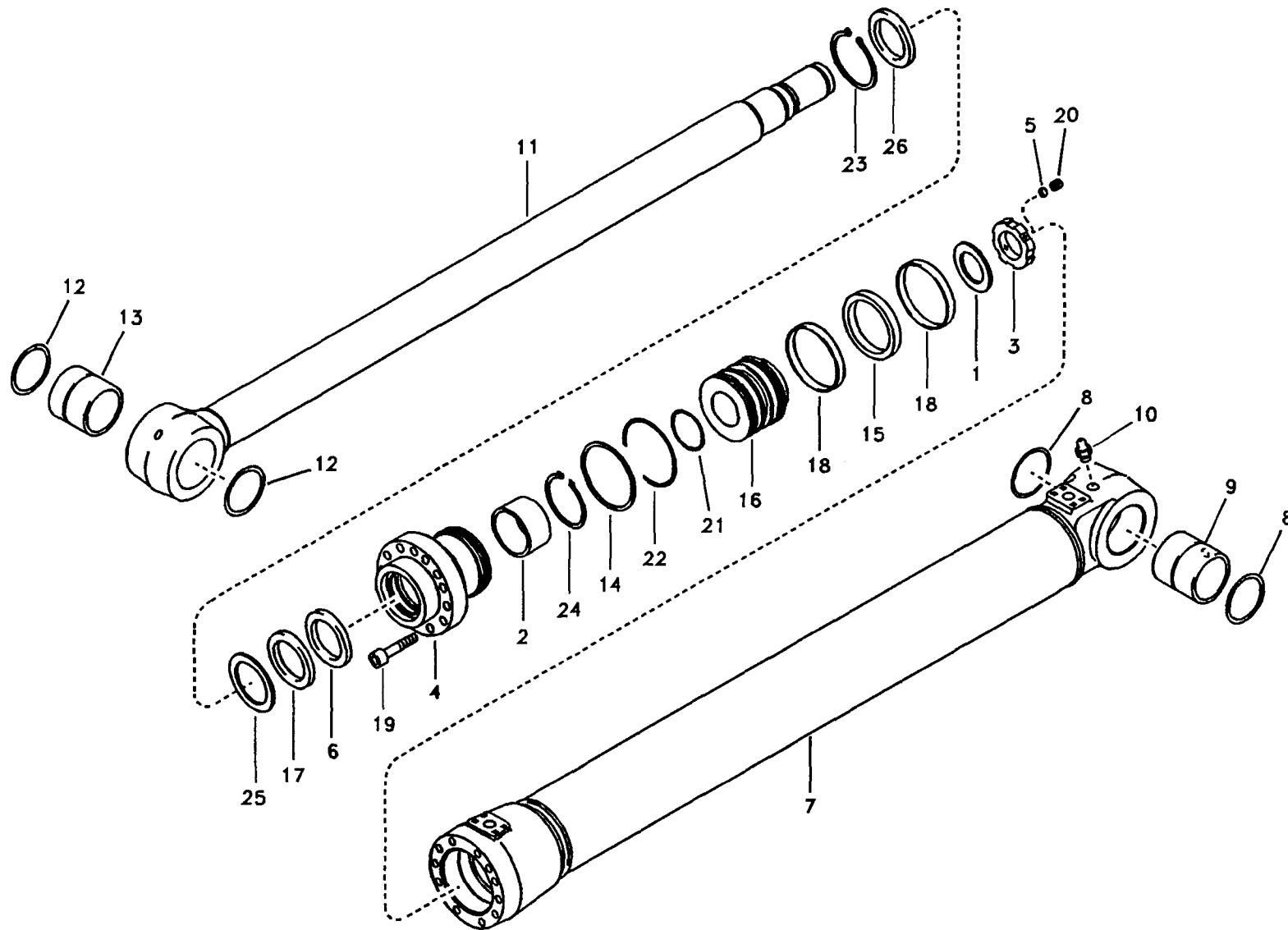


Fig.	Part No.	Quantity			P S	K T	Description	Dénomination	Bezeichnung	품명	Denominación	Notes
		1	2	3								
	VOE 14512431	1					Boom Cylinder .....	Verin de fleche .....	Auslegerzylinder.....	붐 실린더 .....	Maquina de flecha.....	
	VOE 14514853		1				Boom Cylinder .....	Verin de fleche .....	Auslegerzylinder.....	붐 실린더 .....	Maquina de flecha.....	
1	SA 9216-07010	1	1				•Washer .....	•Rondelle.....	•Scheibe.....	•와셔 .....	•Arandela.....	
2	SA 9612-10540	1	1	K			•Bushing.....	•Bague .....	•Buchse.....	•부싱 .....	•Casquillo.....	
3	SA 1146-06900	1	1				•Lock Nut .....	•Contre-ecrou.....	•Sicher Mutter.....	•록 너트 .....	•Contratuerca.....	
4	SA 1146-07200	1	1				•Head .....	•Tete.....	•Kopf .....	•헤드 .....	•Capo.....	
5	SA 1146-06870	1	1				•Pad .....	•Patin.....	•Belag.....	•패드 .....	•Pastilla.....	
6	SA 1146-08130	1	1	K			•Seal .....	•Plomb.....	•Plombe.....	•시일 .....	•Plomo.....	
7	VOE 14512981	1					•Tube .....	•Tube.....	•Rohr .....	•튜브 .....	•Tubo.....	
	VOE 14515029		1				•Tube .....	•Tube.....	•Rohr .....	•튜브 .....	•Tubo.....	
8	VOE 14503885	2	2				••Seal .....	••Plomb .....	••Plombe .....	••시일 .....	••Plomo.....	
9	SA 9624-11821	1					••Bushing .....	••Bague .....	••Buchse.....	••부싱 .....	••Casquillo.....	
	VOE 14511796		1				••Bushing .....	••Bague .....	••Buchse.....	••부싱 .....	••Casquillo.....	
10	SA 9481-10003	1	1				••Nipple .....	••Raccord .....	••Nippel .....	••니플 .....	••Niple .....	
11	VOE 14512984	1					•Rod .....	•Monture.....	•Fuhler.....	•로드 .....	•Varilla.....	
	VOE 14515030		1				•Rod .....	•Monture.....	•Fuhler.....	•로드 .....	•Varilla.....	
12	VOE 14503884	2	2				••Seal .....	••Plomb .....	••Plombe .....	••시일 .....	••Plomo.....	
13	SA 9624-11621	1					••Bushing .....	••Bague .....	••Buchse.....	••부싱 .....	••Casquillo.....	
	VOE 14511731		1				••Bushing .....	••Bague .....	••Buchse.....	••부싱 .....	••Casquillo.....	
14	SA 9566-31500	1	1	K			•Ring .....	•Anneau .....	•Ring.....	•링 .....	•Anillo.....	
15	VOE 14508903	1	1	K			•Seal .....	•Joint .....	•Dichtring.....	•시일 .....	•Junta.....	
16	VOE 14510826	1	1				•Piston.....	•Piston.....	•Kolben.....	•피스톤 .....	•Piston.....	
17	SA 9563-21050	1	1	K			•Seal .....	•Plomb.....	•Plombe.....	•시일 .....	•Plomo.....	
18	SA 9565-11600	2	2	K			•Ring .....	•Anneau .....	•Ring.....	•링 .....	•Anillo.....	
19	VOE 949566	13	13				•Allen Hd Screw .....	•Vis A 6 Pans Cr .....	•Inbusschraube .....	•스크류 .....	•Torn Hex Embut.....	
20	VOE 963059	1	1				•Set Screw .....	•Vis Butee .....	•Anschlagschraub .....	•세트 스크류 .....	•Tornillo Tope.....	
21	SA 9511-22075	1	1	K			•O-ring.....	•Joint Torique .....	•O-ring.....	•오링 .....	•Junta torica.....	
22	SA 9511-12150	1	1	K			•O-ring.....	•Joint Torique .....	•O-ring.....	•오링 .....	•Junta torica.....	
23	SA 9556-10500	1	1				•Ring .....	•Anneau .....	•Ring.....	•링 .....	•Anillo.....	
24	SA 9557-09500	1	1				•Ring .....	•Anneau .....	•Ring.....	•링 .....	•Anillo.....	

1	8277842	<b>Cilindro de pluma, ajustable secondo</b> 2 단 조절 붐 실린더 <b>Auslegerzylinder, stellbar 2</b> <b>Verin de flèche, réglable deuxième</b> <b>Boom cylinder, adjustable 2nd</b>	Catalogue id	Group
2	8278191		<b>56141</b>	<b>974</b>
3			Illustr. No	Section
4			<b>TA290</b>	<b>3400</b>
5			Issue	Page
		<b>VOE 7414356141</b>	<b>619</b>	

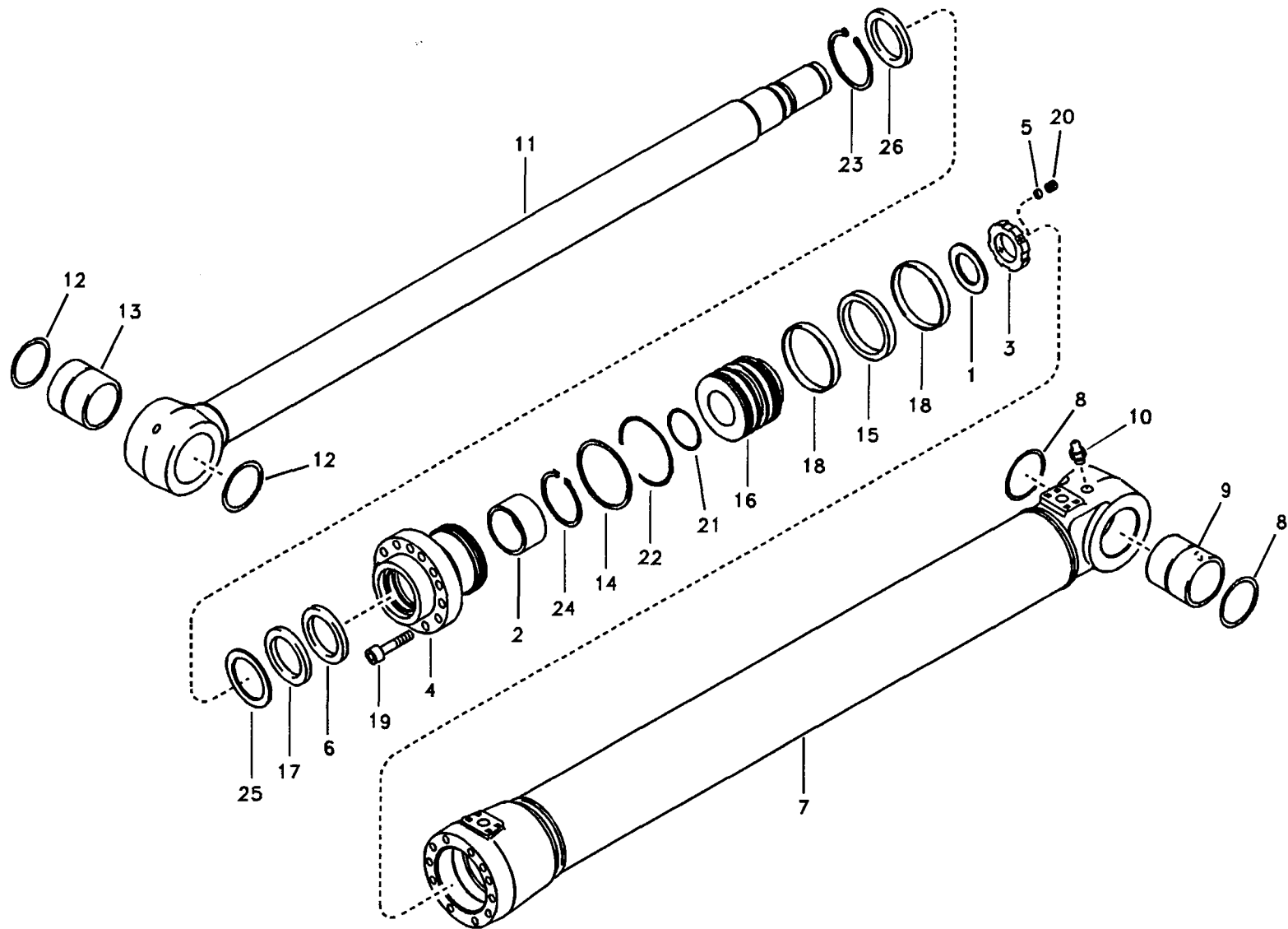


Fig.	Part No.	Quantity			P S	K I T	Description	Dénomination	Bezeichnung	품명	Denominación	Notes
		1	2	3								
25	SA 9567-21050	1	1		K	•Ring .....	•Anneau .....	•Ring.....	• 링.....	•Anillo.....		
26	SA 9564-21050	1	1		K	•Seal .....	•Plomb.....	•Plombe.....	• 시일 .....	•Plomo.....		
100	VOE 14514456	1	1			Sealing Kit.....	Jeu Joints .....	Dichtungssatz .....	시일 키트 .....	Juego Retenes.....		

1	8277842	<b>Cilindro de pluma, ajustable secondo</b> 2 단 조절 붐 실린더 <b>Auslegerzylinder, stellbar 2</b> <b>Verin de flèche, réglable deuxième</b> <b>Boom cylinder, adjustable 2nd</b>	Catalogue id	Group
2	8278191		<b>56141</b>	<b>974</b>
3			Illustr. No	Section
4			<b>TA290</b>	<b>3400</b>
5			Issue	Page
			<b>VOE 7414356141</b>	<b>621</b>

**VOLVO**

**EC210B**

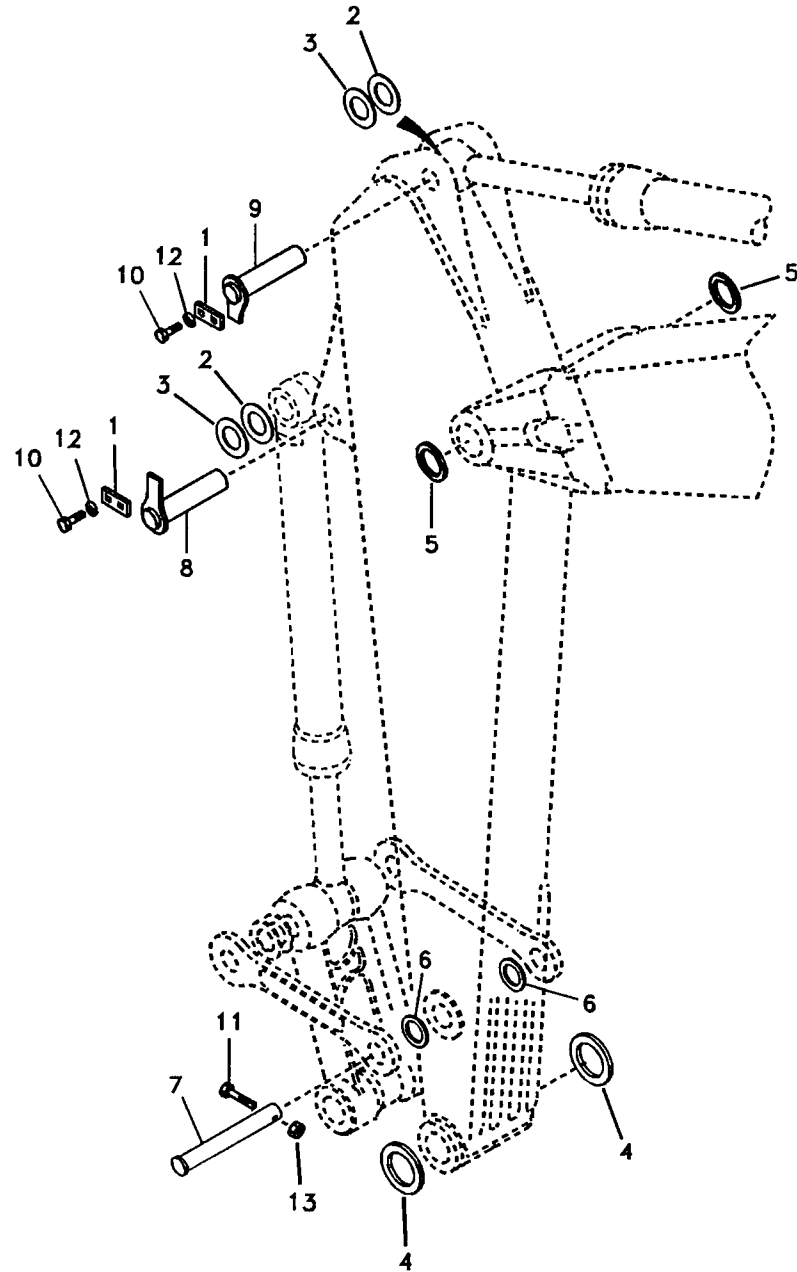


Fig.	Part No.	Quantity					P S	K I T	Description	Dénomination	Bezeichnung	품명	Denominación	Notes
		1	2	3	4	5								
1	SA 1073-00570	2	2	2	2			Plate.....	Plaque .....	Platte .....	플레이트 .....	Placa.....		
2	SA 1173-01210	2	2	2	2			Shim.....	Cale Reglage .....	Nachstellblech .....	심 .....	Cuna de calzar.....		
3	SA 1173-01330	2	2	2	2			Shim.....	Cale Reglage .....	Nachstellblech .....	심 .....	Cuna de calzar.....		
4	VOE 14503884	2	2	2	2			Seal.....	Plomb .....	Plombe .....	시일 .....	Plomo.....		
5	VOE 14503886	2	2	2	2			Seal.....	Joint.....	Dichtring .....	시일 .....	Junta.....		
6	VOE 14503887	2	2	2	2			Seal.....	Plomb .....	Plombe .....	시일 .....	Plomo.....		
7	VOE 14512689	1	1	1	1			Pin.....	Goupille .....	Zapfen .....	핀 .....	Pasador.....		
8	VOE 14515536	1	1	1	1			Pin.....	Goupille .....	Zapfen .....	핀 .....	Pasador.....		
9	VOE 14510959	1	1	1	1			Pin.....	Goupille .....	Zapfen .....	핀 .....	Pasador.....		
10	SA 9011-11606	4	4	4	4			Bolt.....	Boulon .....	Bolzen .....	볼트 .....	Perno.....		
11	SA 9011-21623	1	1	1	1			Bolt.....	Boulon .....	Bolzen .....	볼트 .....	Perno.....		
12	VOE 955926	4	4	4	4			Spring Washer.....	Rondelle ressort .....	Federscheibe .....	스프링 와셔 .....	Arandela resorte.....		
13	VOE 979021	2	2	2	2			Nut.....	Ecrou .....	Mutter .....	너트 .....	Tuerca.....		

1	8277830	<b>Enlaces al brazo</b> 디퍼 암 연결 장치 <b>Verbindungen zu Stiel</b> <b>Articulations de balancier</b> <b>Links to dipper arm</b>	Catalogue id	Group
2	8277831		<b>56141</b>	<b>975</b>
3	8277832		Illustr. No	Section
4	8277833		<b>TA291</b>	<b>100</b>
5			Issue	Page
			<b>VOE 7414356141</b>	<b>623</b>



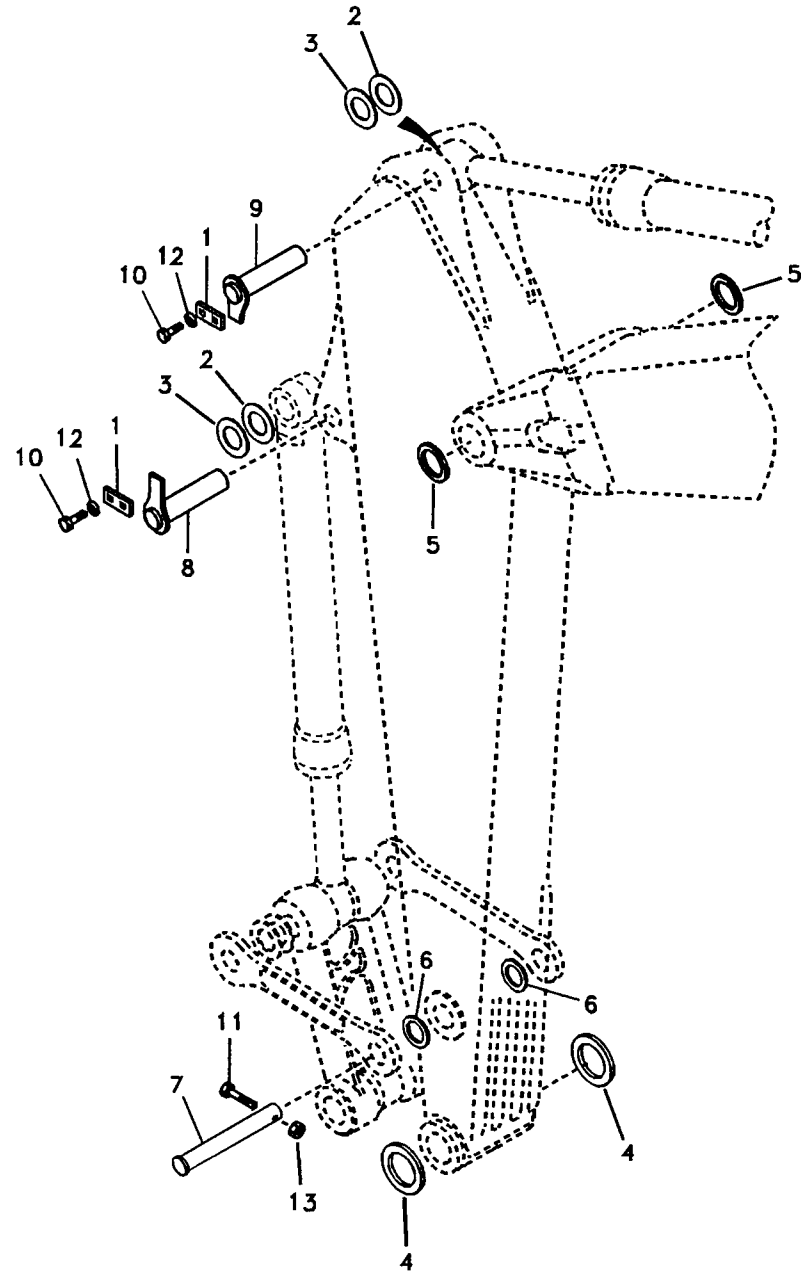


Fig.	Part No.	Quantity					P S	K I T	Description	Dénomination	Bezeichnung	품명	Denominación	Notes
		1	2	3	4	5								
1	SA 1073-00570	2	2	2	2			Plate.....	Plaque .....	Platte .....	플레이트 .....	Placa.....		
2	SA 1173-01210	2	2	2	2			Shim.....	Cale Reglage .....	Nachstellblech .....	심 .....	Cuna de calzar.....		
3	SA 1173-01330	2	2	2	2			Shim.....	Cale Reglage .....	Nachstellblech .....	심 .....	Cuna de calzar.....		
4	VOE 14503884	2	2	2	2			Seal.....	Plomb .....	Plombe .....	시일 .....	Plomo.....		
5	VOE 14503886	2	2	2	2			Seal.....	Joint.....	Dichtring .....	시일 .....	Junta.....		
6	VOE 14503887	2	2	2	2			Seal.....	Plomb .....	Plombe .....	시일 .....	Plomo.....		
7	VOE 14512689	1	1	1	1			Pin.....	Goupille .....	Zapfen .....	핀 .....	Pasador.....		
8	VOE 14515536	1	1	1	1			Pin.....	Goupille .....	Zapfen .....	핀 .....	Pasador.....		
9	VOE 14510959	1	1	1	1			Pin.....	Goupille .....	Zapfen .....	핀 .....	Pasador.....		
10	SA 9011-11606	4	4	4	4			Bolt.....	Boulon .....	Bolzen .....	볼트 .....	Perno.....		
11	SA 9011-21623	1	1	1	1			Bolt.....	Boulon .....	Bolzen .....	볼트 .....	Perno.....		
12	VOE 955926	4	4	4	4			Spring Washer.....	Rondelle ressort .....	Federscheibe .....	스프링 와셔 .....	Arandela resorte.....		
13	VOE 979021	2	2	2	2			Nut.....	Ecrou .....	Mutter .....	너트 .....	Tuerca.....		

1	8278178	<b>Enlaces al brazo</b> 디퍼 암 연결 장치 <b>Verbindungen zu Stiel</b> <b>Articulations de balancier</b> <b>Links to dipper arm</b>	Catalogue id	Group
2	8278180		<b>56141</b>	<b>975</b>
3	8278182		Illustr. No	Section
4	8278184		<b>TA292</b>	<b>200</b>
5			Issue	Page
			<b>VOE 7414356141</b>	<b>625</b>

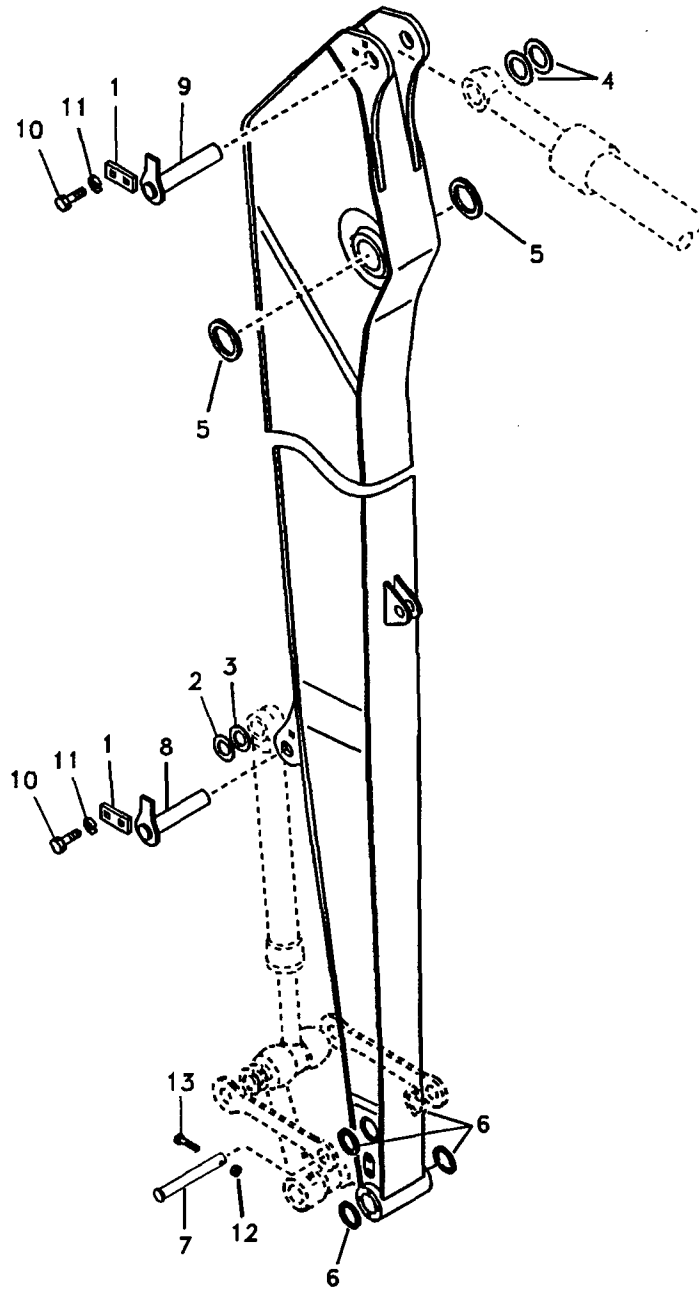


Fig.	Part No.	Quantity			P S	K I T	Description	Dénomination	Bezeichnung	품명	Denominación	Notes
		1	2	3								
1	SA 1073-00570	2	2			Plate.....	Plaque.....	Platte.....	플레이트.....	Placa.....		
2	SA 1173-00590	1	1			Shim.....	Cale Reglage.....	Nachstellblech.....	심.....	Cuna de calzar.....		
3	SA 1173-00600	1	1			Shim.....	Cale Reglage.....	Nachstellblech.....	심.....	Cuna de calzar.....		
4	SA 1173-01330	2	2			Shim.....	Cale Reglage.....	Nachstellblech.....	심.....	Cuna de calzar.....		
5	VOE 14503886	2	2			Seal.....	Joint.....	Dichtring.....	시일.....	Junta.....		
6	VOE 14504124	4	4			Seal.....	Joint.....	Dichtring.....	시일.....	Junta.....		
7	VOE 14510307	1	1			Pin.....	Goupille.....	Zapfen.....	핀.....	Pasador.....		
8	VOE 14510308	1	1			Pin.....	Goupille.....	Zapfen.....	핀.....	Pasador.....		
9	VOE 14510959	1	1			Pin.....	Goupille.....	Zapfen.....	핀.....	Pasador.....		
10	SA 9011-11606	4	4			Bolt.....	Boulon.....	Bolzen.....	볼트.....	Perno.....		
11	VOE 955926	4	4			Spring Washer.....	Rondelle ressort.....	Federscheibe.....	스프링 와셔.....	Arandela resorte.....		
12	VOE 979021	2	2			Nut.....	Ecrou.....	Mutter.....	너트.....	Tuerca.....		
13	VOE 983260	1	1			Screw.....	Vis.....	Schraube.....	스크류.....	Tornillo.....		

1	8277834	<b>Articulacions a brazo, alcance largo</b> <b>롱 리치 디퍼 암 연결 장치</b> <b>Gelenke zu Stiel, lang Ausladung</b> <b>Articulations vers bras, étendue longue</b> <b>Links to dipper arm, long reach</b>	Catalogue id	Group
2	8278186		56141	975
3			Illustr. No	Section
4			TA293	300
5			Issue	Page
			VOE 7414356141	627

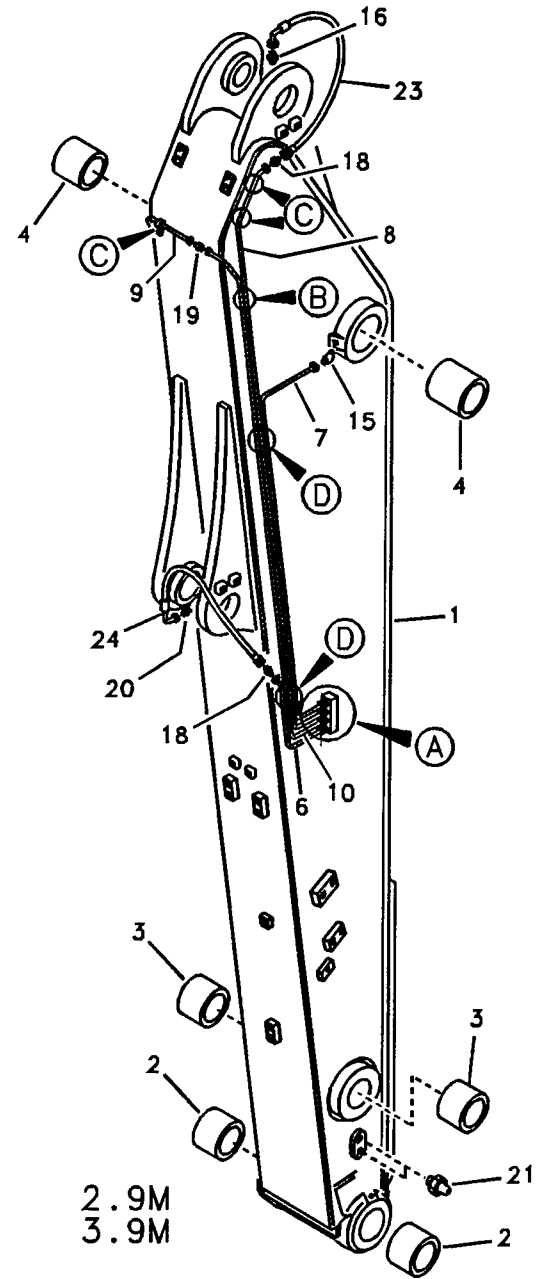
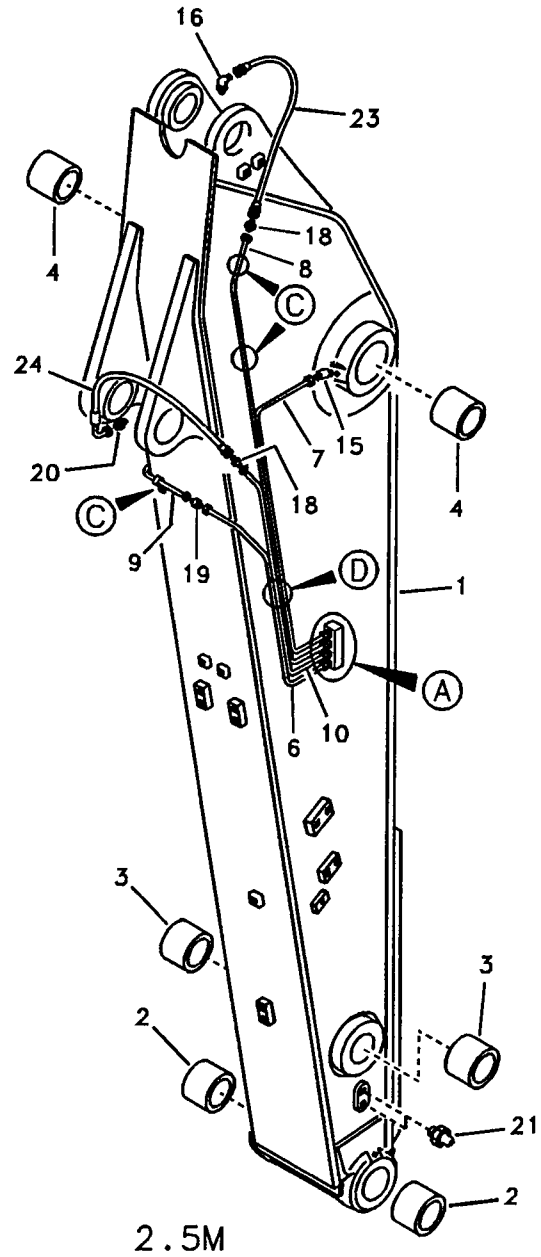
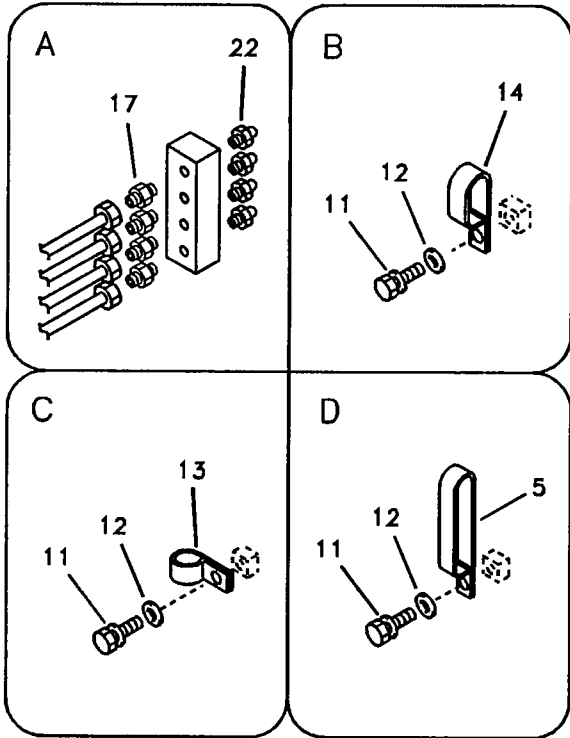
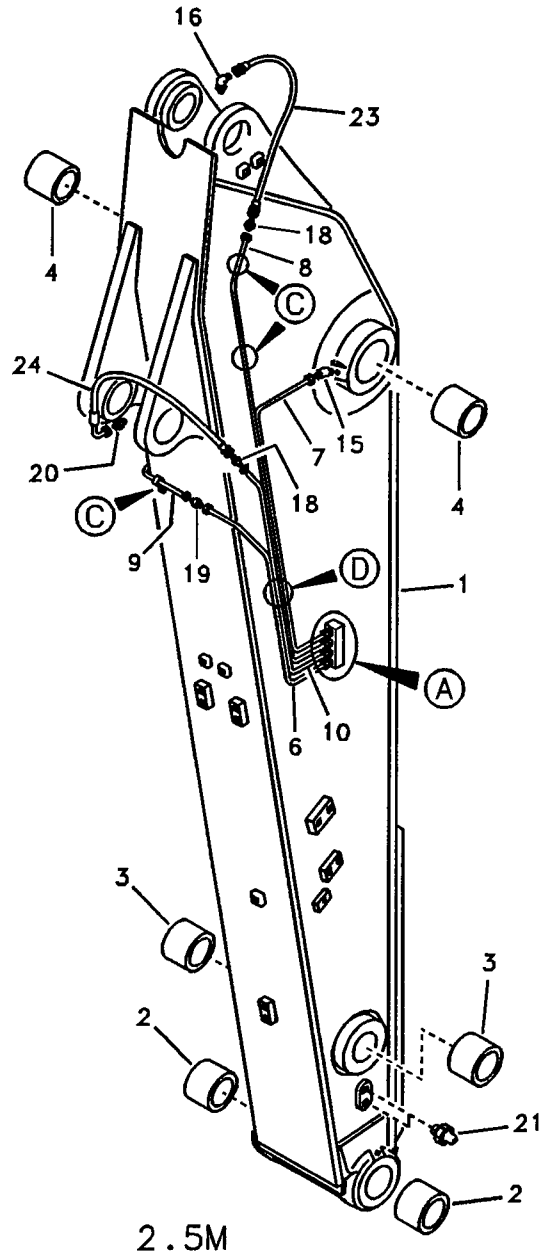
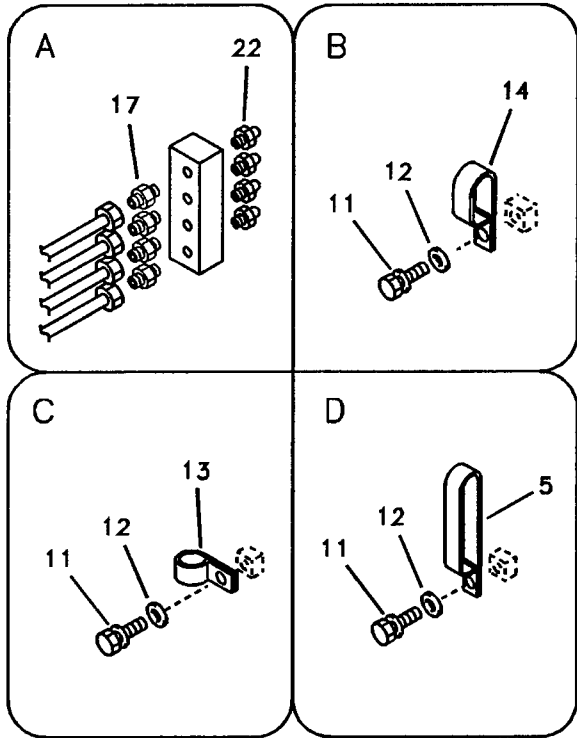
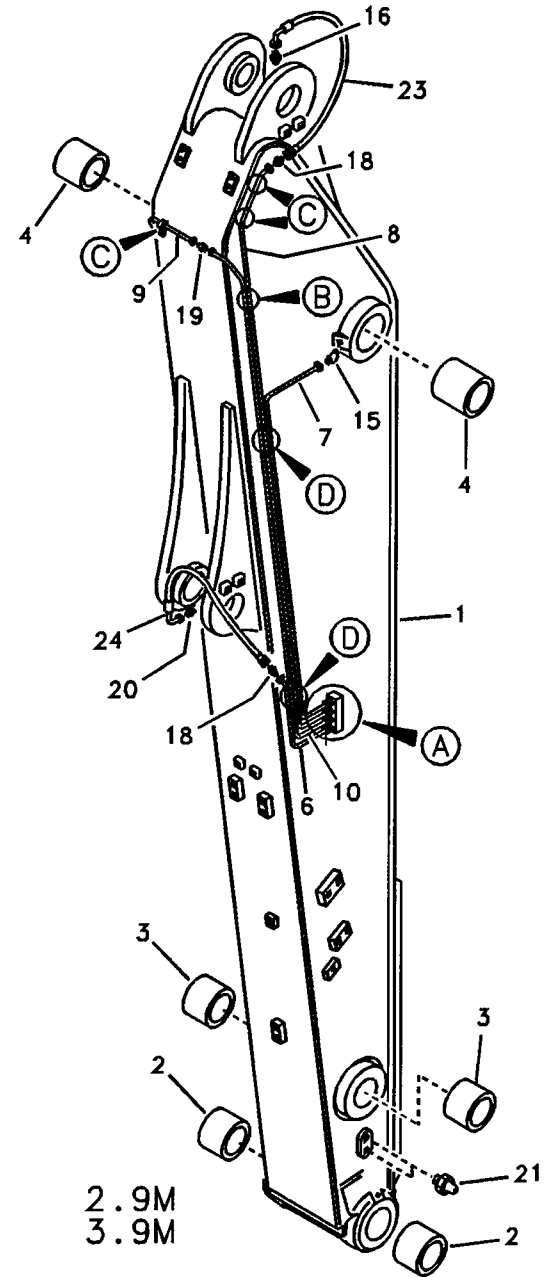


Fig.	Part No.	Quantity					P S	K I T	Description	Dénomination	Bezeichnung	품명	Denominación	Notes
		1	2	3	4	5								
1	VOE 14505663	1						Arm .....	Bras .....	Arm .....	암 .....	Brazo .....	2,5m	
	VOE 14511761		1					Arm .....	Bras .....	Arm .....	암 .....	Brazo .....	2,9m	
	VOE 14511799			1				Arm .....	Bras .....	Arm .....	암 .....	Brazo .....	2,9m H.D	
	VOE 14512014				1			Arm .....	Bras .....	Arm .....	암 .....	Brazo .....	3,9m	
2	VOE 14512698	2	2	2	2			•Bushing .....	•Bague .....	•Buchse .....	•부싱 .....	•Casquilla .....		
3	VOE 14512697	2	2	2	2			•Bushing .....	•Bague .....	•Buchse .....	•부싱 .....	•Casquilla .....		
4	VOE 14512696	2	2	2	2			•Bushing .....	•Bague .....	•Buchse .....	•부싱 .....	•Casquilla .....		
5	SA 1172-09260	1	2	2	2			Clip .....	Clip .....	Klemme .....	클립 .....	Clip .....		
6	VOE 14509525	1						Pipe .....	Canalisation .....	Rohrleitung .....	파이프 .....	Canalización .....		
	VOE 14511834		1	1				Pipe .....	Canalisation .....	Rohrleitung .....	파이프 .....	Canalización .....		
	VOE 14513263				1			Pipe .....	Canalisation .....	Rohrleitung .....	파이프 .....	Canalización .....		
7	VOE 14509527	1						Pipe .....	Canalisation .....	Rohrleitung .....	파이프 .....	Canalización .....		
	VOE 14511836		1	1				Pipe .....	Canalisation .....	Rohrleitung .....	파이프 .....	Canalización .....		
	VOE 14513265				1			Pipe .....	Canalisation .....	Rohrleitung .....	파이프 .....	Canalización .....		
8	VOE 14509523	1						Pipe .....	Canalisation .....	Rohrleitung .....	파이프 .....	Canalización .....		
	VOE 14511833		1	1				Pipe .....	Canalisation .....	Rohrleitung .....	파이프 .....	Canalización .....		
	VOE 14513262				1			Pipe .....	Canalisation .....	Rohrleitung .....	파이프 .....	Canalización .....		
9	VOE 14509528	1						Pipe .....	Canalisation .....	Rohrleitung .....	파이프 .....	Canalización .....		
	VOE 14515634		1	1				Pipe .....	Canalisation .....	Rohrleitung .....	파이프 .....	Canalización .....		
	VOE 14513266				1			Pipe .....	Canalisation .....	Rohrleitung .....	파이프 .....	Canalización .....		
10	VOE 14509526	1						Pipe .....	Canalisation .....	Rohrleitung .....	파이프 .....	Canalización .....		
	VOE 14515633		1	1				Pipe .....	Canalisation .....	Rohrleitung .....	파이프 .....	Canalización .....		
	VOE 14513264				1			Pipe .....	Canalisation .....	Rohrleitung .....	파이프 .....	Canalización .....		
11	SA 9011-10802	4	6	6	5			Bolt .....	Boulon .....	Bolzen .....	볼트 .....	Perno .....		
12	SA 9211-08000	4	6	6	5			Washer .....	Rondelle .....	Scheibe .....	와셔 .....	Arandela .....		
13	SA 9315-00801	3	3	3	3			Clip .....	Clip .....	Klemme .....	클립 .....	Clip .....		
14	SA 9316-00801		1	1				Clip .....	Clip .....	Klemme .....	클립 .....	Clip .....		
15	SA 9411-96090	2	2	2	2			Connector .....	Raccord .....	Anschluss .....	커넥터 .....	Union .....		
16	SA 9413-43020	1						Elbow .....	Coude .....	Winkelstueck .....	엘보 .....	Codo .....		
	SA 9412-43020		1	1	1			Connector .....	Raccord .....	Anschluss .....	커넥터 .....	Union .....		

1	8277830	<b>Brazos y tuberías de engrase con asiento de tuberías</b> 디퍼 암 및 윤활 배관, 유압 배관 장착브라켓 포함 <b>Stiel und Schmierleitungen mit Sitz</b> <b>Balancier et tuyauterie de lubr avec siège de tuyau</b> <b>Dipper arm and grease piping with piping seat</b>	Catalogue id	Group
2	8277831		56141	975
3	8277832		Illustr. No	Section
4	8277833		TA294	500
5			Issue	Page
		VOE 7414356141	629	



2.5M

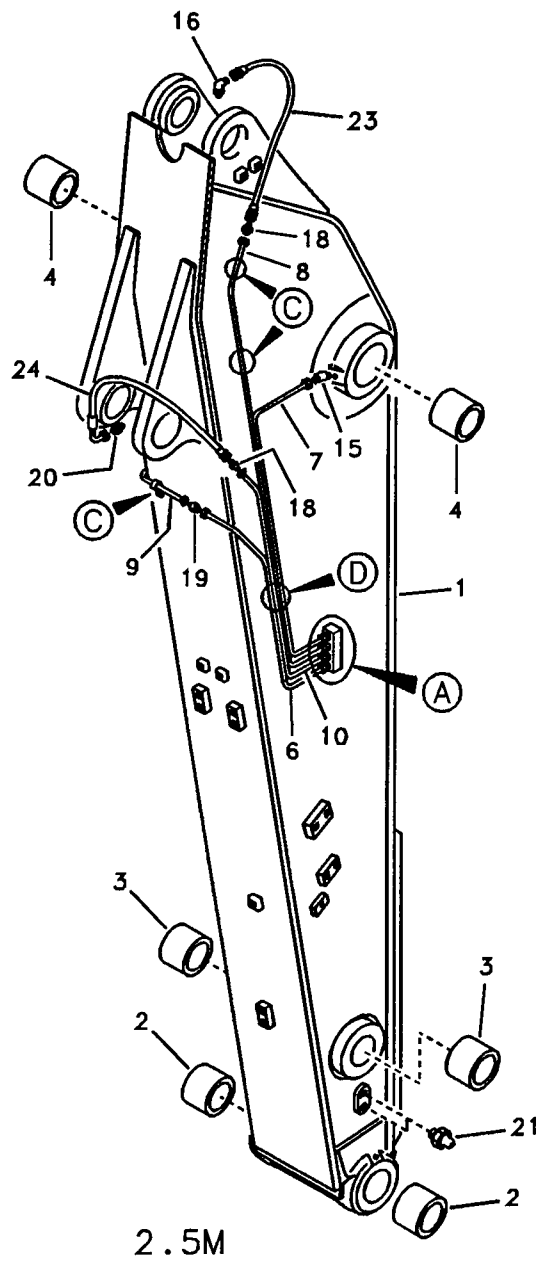
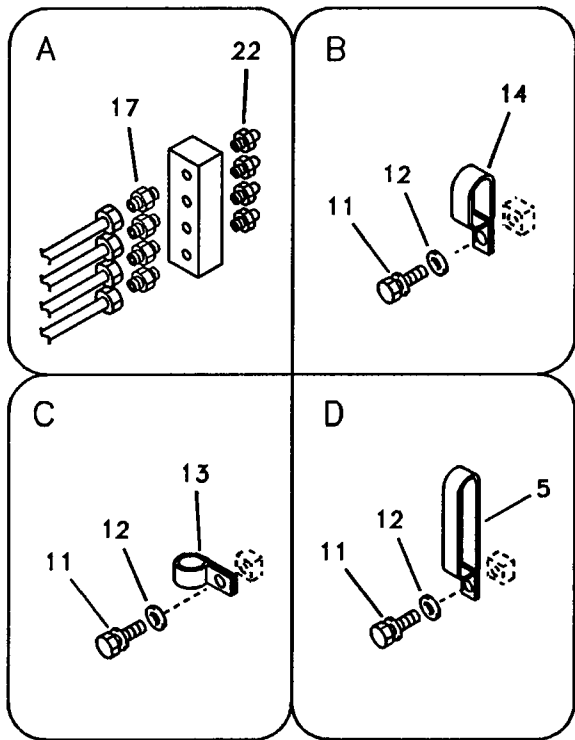


2.9M  
3.9M

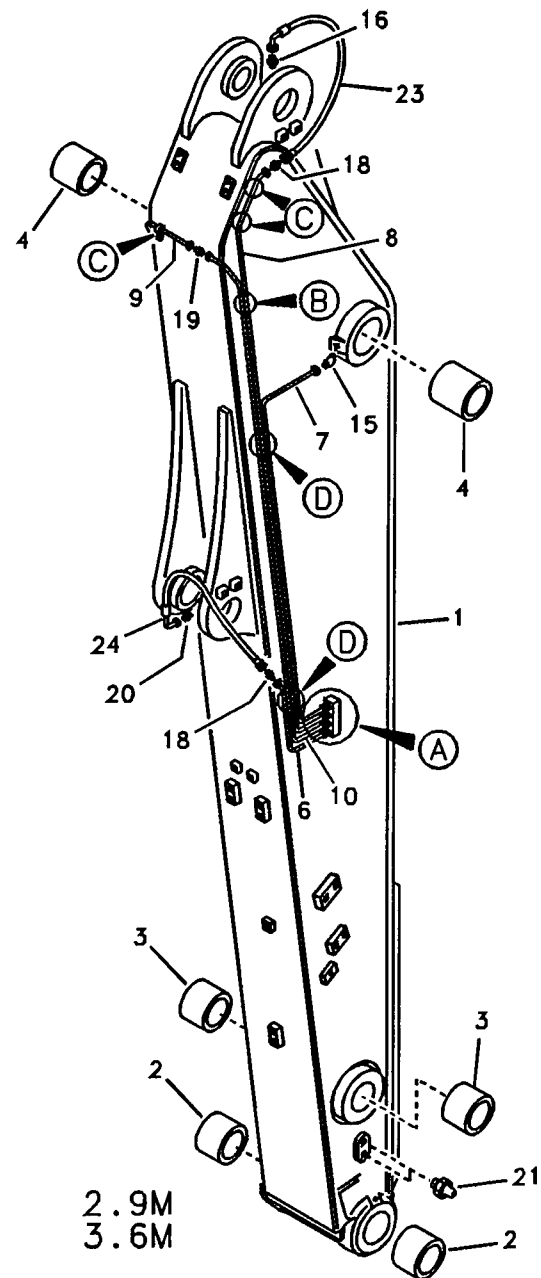
Fig.	Part No.	Quantity					P S	K I T	Description	Dénomination	Bezeichnung	품명	Denominación	Notes
		1	2	3	4	5								
17	SA 9433-11111	4	4	4	4			Connector .....	Raccord .....	Anschluss .....	커넥터 .....	Union.....		
18	SA 9433-25111	2	2	2	2			Connector .....	Raccord .....	Anschluss .....	커넥터 .....	Union.....		
19	SA 9434-01001	1	1	1	1			Connector .....	Raccord .....	Anschluss .....	커넥터 .....	Union.....		
20	SA 9412-43110	1	1	1	1			Connector .....	Raccord .....	Anschluss .....	커넥터 .....	Union.....		
21	SA 9481-11003	2	2	2	2			Nipple.....	Raccord .....	Nippel.....	니플 .....	Niple.....		
22	SA 9481-21002	4	4	4	4			Nipple.....	Raccord .....	Nippel.....	니플 .....	Niple.....		
23	SA 9482-02114	1						Hose .....	Durit.....	Schlauch .....	호스 .....	Tubo flexible.....		
	SA 9482-02414		1	1	1			Hose .....	Durit.....	Schlauch .....	호스 .....	Tubo flexible.....		
24	SA 9482-02410	1	1	1	1			Hose .....	Durit.....	Schlauch .....	호스 .....	Tubo flexible.....		

1	8277830	<b>Brazos y tuberías de engrase con asiento de tuberías</b> 디퍼 암 및 윤활 배관 , 유압 배관 장착브라켓 포함 <b>Stiel und Schmierleitungen mit Sitz</b> <b>Balancier et tuyauterie de lubr avec siège de tuyau</b> <b>Dipper arm and grease piping with piping seat</b>	Catalogue id	Group
2	8277831		<b>56141</b>	<b>975</b>
3	8277832		Illustr. No	Section
4	8277833		<b>TA294</b>	<b>500</b>
5			Issue	Page
		<b>VOE 7414356141</b>	<b>631</b>	





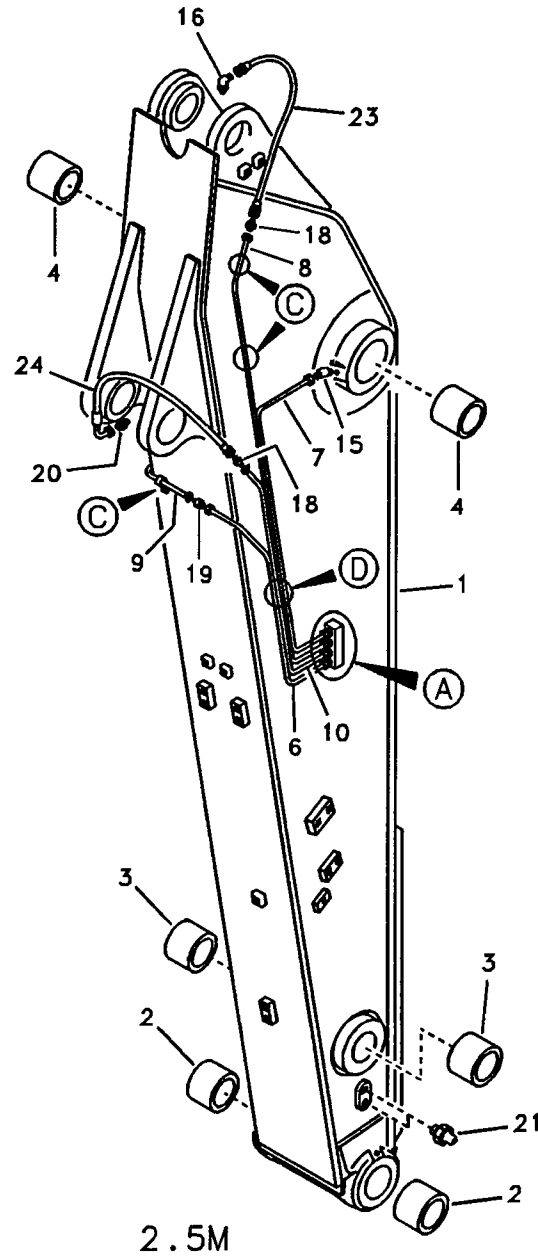
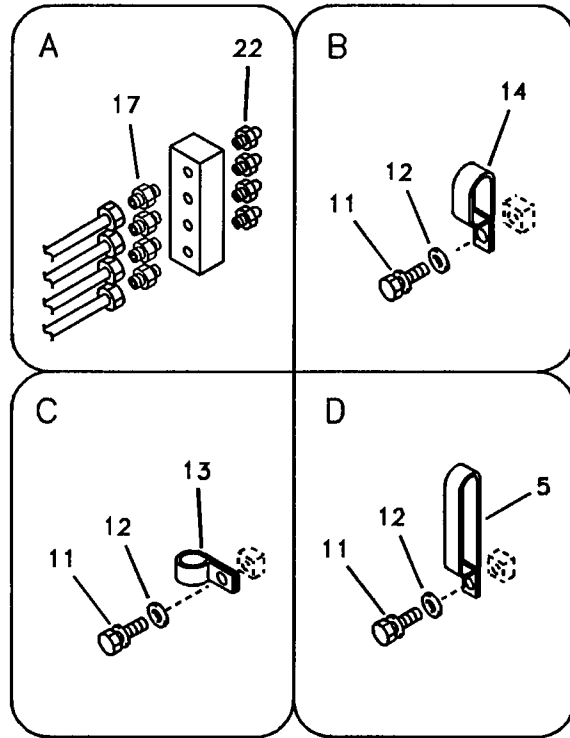
2.5M



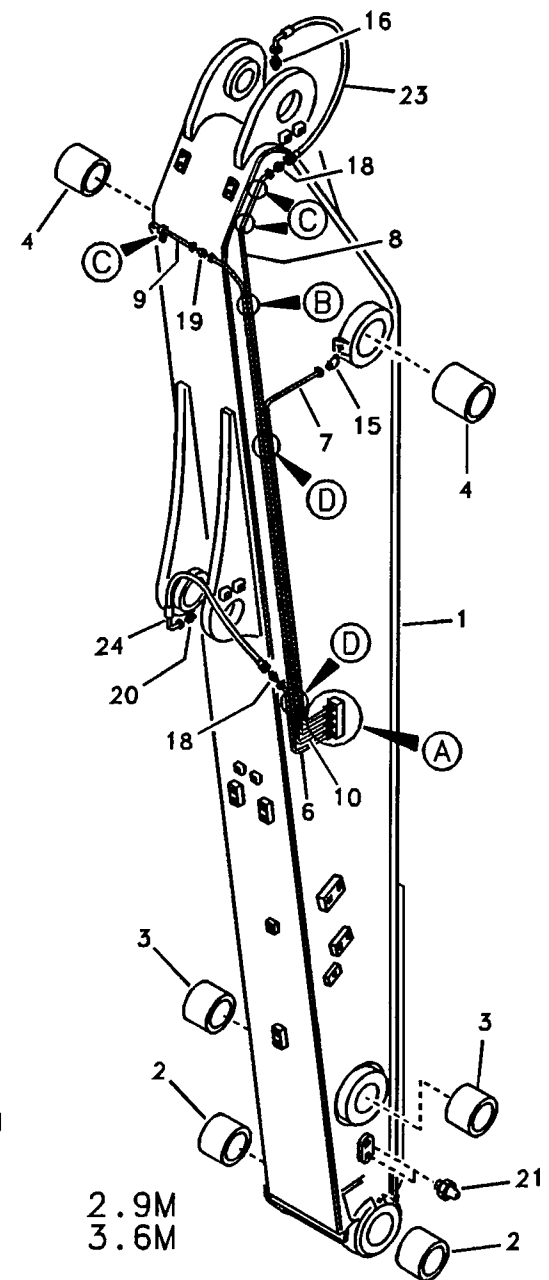
2.9M  
3.6M

Fig.	Part No.	Quantity					P S	K I T	Description	Dénomination	Bezeichnung	품명	Denominación	Notes
		1	2	3	4	5								
1	VOE 14514734	1						Arm .....	Bras .....	Arm .....	암 .....	Brazo.....	2,5m	
	VOE 14514735		1					Arm .....	Bras .....	Arm .....	암 .....	Brazo.....	2,9m	
	VOE 14514736			1				Arm .....	Bras .....	Arm .....	암 .....	Brazo.....	2,9m H.D	
	VOE 14514737				1			Arm .....	Bras .....	Arm .....	암 .....	Brazo.....	3,9m	
2	VOE 14512698	2	2	2	2			•Bushing .....	•Bague.....	•Buchse.....	•부싱 .....	•Casquilla.....		
3	VOE 14512697	2	2	2	2			•Bushing .....	•Bague.....	•Buchse.....	•부싱 .....	•Casquilla.....		
4	VOE 14514448	2	2	2	2			•Bushing .....	•Bague.....	•Buchse.....	•부싱 .....	•Casquilla.....		
5	SA 1172-09260	1	2	2	2			Clip.....	Clip .....	Klemme .....	클립 .....	Clip.....		
6	VOE 14509525	1						Pipe.....	Canalisation .....	Rohrleitung .....	파이프 .....	Canalización.....		
	VOE 14511834		1	1				Pipe.....	Canalisation .....	Rohrleitung .....	파이프 .....	Canalización.....		
	VOE 14513263				1			Pipe.....	Canalisation .....	Rohrleitung .....	파이프 .....	Canalización.....		
7	VOE 14509527	1						Pipe.....	Canalisation .....	Rohrleitung .....	파이프 .....	Canalización.....		
	VOE 14511836		1	1				Pipe.....	Canalisation .....	Rohrleitung .....	파이프 .....	Canalización.....		
	VOE 14513265				1			Pipe.....	Canalisation .....	Rohrleitung .....	파이프 .....	Canalización.....		
8	VOE 14509523	1						Pipe.....	Canalisation .....	Rohrleitung .....	파이프 .....	Canalización.....		
	VOE 14511833		1	1				Pipe.....	Canalisation .....	Rohrleitung .....	파이프 .....	Canalización.....		
	VOE 14513262				1			Pipe.....	Canalisation .....	Rohrleitung .....	파이프 .....	Canalización.....		
9	VOE 14509528	1						Pipe.....	Canalisation .....	Rohrleitung .....	파이프 .....	Canalización.....		
	VOE 14515634		1	1				Pipe.....	Canalisation .....	Rohrleitung .....	파이프 .....	Canalización.....		
	VOE 14513266				1			Pipe.....	Canalisation .....	Rohrleitung .....	파이프 .....	Canalización.....		
10	VOE 14509526	1						Pipe.....	Canalisation .....	Rohrleitung .....	파이프 .....	Canalización.....		
	VOE 14515633		1	1				Pipe.....	Canalisation .....	Rohrleitung .....	파이프 .....	Canalización.....		
	VOE 14513264				1			Pipe.....	Canalisation .....	Rohrleitung .....	파이프 .....	Canalización.....		
11	SA 9011-10802	4	6	6	5			Bolt.....	Boulon .....	Bolzen .....	볼트 .....	Perno.....		
12	SA 9211-08000	4	6	6	5			Washer .....	Rondelle .....	Scheibe .....	와셔 .....	Arandela.....		
13	SA 9315-00801	3	3	3	3			Clip.....	Clip .....	Klemme .....	클립 .....	Clip.....		
14	SA 9316-00801		1	1				Clip.....	Clip .....	Klemme .....	클립 .....	Clip.....		
15	SA 9411-96090	2	2	2	2			Connector .....	Raccord .....	Anschluss .....	커넥터 .....	Union.....		
16	SA 9413-43020	1						Elbow.....	Coude.....	Winkelstueck .....	엘보 .....	Codo.....		
	SA 9412-43020		1	1	1			Connector .....	Raccord .....	Anschluss .....	커넥터 .....	Union.....		

1	8278178	<b>Brazos y tuberías de engrase con asiento de tuberías</b> 디퍼 암 및 윤활 배관 , 유압 배관 장착브라켓 포함 <b>Stiel und Schmierleitungen mit Sitz</b> <b>Balancier et tuyauterie de lubr avec siège de tuyau</b> <b>Dipper arm and grease piping with piping seat</b>	Catalogue id	Group
2	8278180		56141	975
3	8278182		Illustr. No	Section
4	8278184		TA295	600
5			Issue	Page
		VOE 7414356141	633	



2.5M



2.9M  
3.6M

Fig.	Part No.	Quantity					P S	K I T	Description	Dénomination	Bezeichnung	품명	Denominación	Notes
		1	2	3	4	5								
17	SA 9433-11111	4	4	4	4			Connector .....	Raccord .....	Anschluss .....	커넥터 .....	Union.....		
18	SA 9433-25111	2	2	2	2			Connector .....	Raccord .....	Anschluss .....	커넥터 .....	Union.....		
19	SA 9434-01001	1	1	1	1			Connector .....	Raccord .....	Anschluss .....	커넥터 .....	Union.....		
20	SA 9412-43110	1	1	1	1			Connector .....	Raccord .....	Anschluss .....	커넥터 .....	Union.....		
21	SA 9481-11003	2	2	2	2			Nipple.....	Raccord .....	Nippel.....	니플 .....	Niple.....		
22	SA 9481-21002	4	4	4	4			Nipple.....	Raccord .....	Nippel.....	니플 .....	Niple.....		
23	SA 9482-02114	1						Hose .....	Durit.....	Schlauch.....	호스 .....	Tubo flexible.....		
	SA 9482-02414		1	1	1			Hose .....	Durit.....	Schlauch.....	호스 .....	Tubo flexible.....		
24	SA 9482-02410	1	1	1	1			Hose .....	Durit.....	Schlauch.....	호스 .....	Tubo flexible.....		

1	8278178	<b>Brazos y tuberías de engrase con asiento de tuberías</b> 디퍼 암 및 윤활 배관 , 유압 배관 장착브라켓 포함 <b>Stiel und Schmierleitungen mit Sitz</b> <b>Balancier et tuyauterie de lubr avec siège de tuyau</b> <b>Dipper arm and grease piping with piping seat</b>	Catalogue id	Group
2	8278180		<b>56141</b>	<b>975</b>
3	8278182		Illustr. No	Section
4	8278184		<b>TA295</b>	<b>600</b>
5			Issue	Page
			<b>VOE 7414356141</b>	<b>635</b>

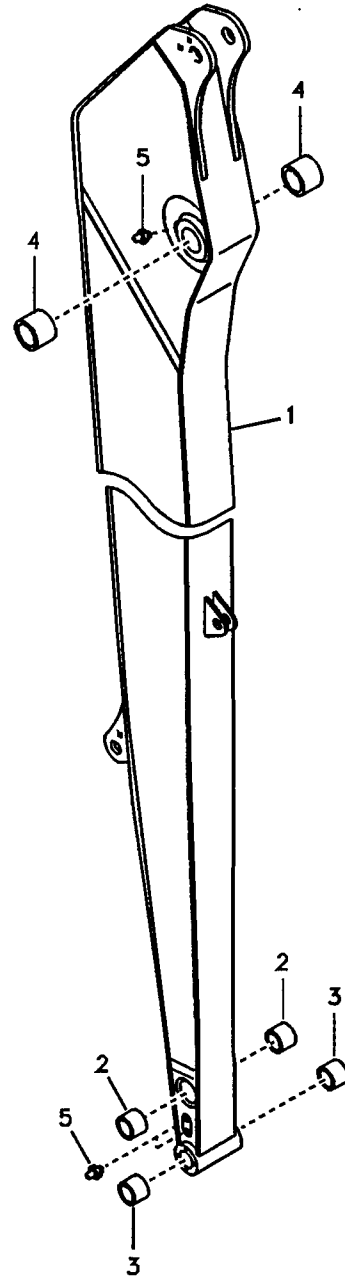


Fig.	Part No.	Quantity			P S	K I T	Description	Dénomination	Bezeichnung	품명	Denominación	Notes
		1	2	3								
1	VOE 14510714	1				Arm .....	Bras.....	Arm .....	암 .....	Brazo.....	6,25m Long reach	
	VOE 14514738		4			Arm .....	Bras.....	Arm .....	암 .....	Brazo.....	6,25m Long reach	
2	VOE 14513142	2	2			•Bushing.....	•Bague .....	•Buchse .....	•부싱 .....	•Casquillo.....		
3	VOE 14513143	2	2			•Bushing.....	•Bague .....	•Buchse .....	•부싱 .....	•Casquillo.....		
4	VOE 14512696	2				•Bushing.....	•Bague .....	•Buchse .....	•부싱 .....	•Casquillo.....		
	VOE 14514448		2			•Bushing.....	•Bague .....	•Buchse .....	•부싱 .....	•Casquillo.....		
5	SA 9481-11003	4	4			Nipple.....	Raccord.....	Nippel .....	니플 .....	Niple.....		

1	8277834	<b>Pluma y conducto de lubricación con tubería de asiento, alcance largo</b> <b>롱 리치 디퍼 암 및 윤활 배관, 유압 배관 장착 브라켓 포함</b> <b>Ausleger und Schmierleitungen mit Leitungssitz, lang Ausladung</b> <b>Flèche et conduit de graissage avec conduite de siege, étendue longue</b> <b>Dipper arm and grease piping with piping seat, long reach</b>	Catalogue id	Group
2	8278186		<b>56141</b>	<b>975</b>
3			Illustr. No	Section
4			<b>TA296</b>	<b>800</b>
5			Issue	Page
			<b>VOE 7414356141</b>	<b>637</b>

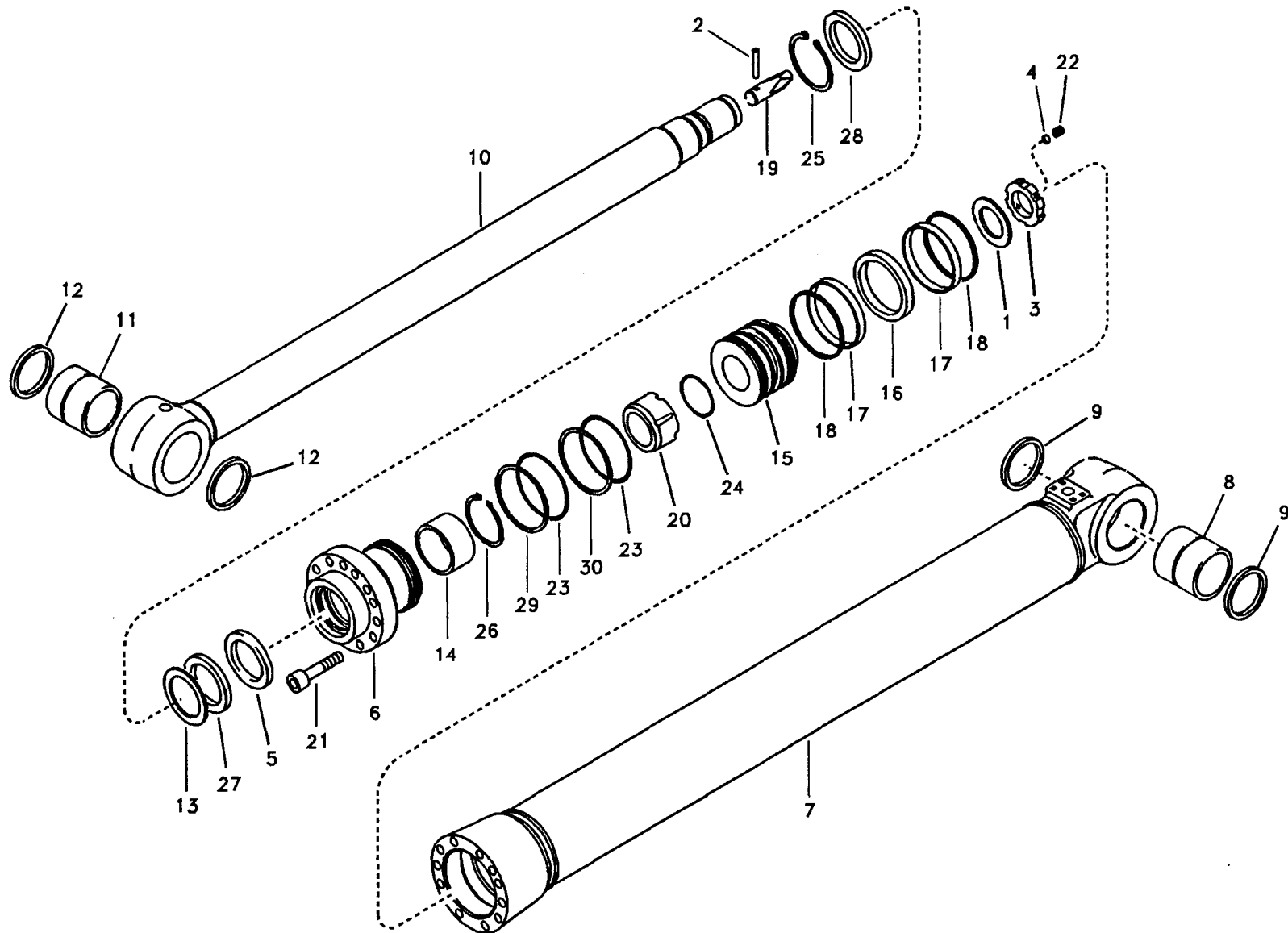


Fig.	Part No.	Quantity			P S	K I T	Description	Dénomination	Bezeichnung	품명	Denominación	Notes
		1	2	3								
	VOE 14512429	1					Dipper Arm Cylinder.....			디퍼 암 실린더.....		
	VOE 14514850		1				Dipper Arm Cylinder.....			디퍼 암 실린더.....		
1	SA 9216-07010	1	1				•Washer .....	•Rondelle.....	•Scheibe.....	•와셔 .....	•Arandela.....	
2	SA 1146-02880	1	1				•Pin .....	•Goupille.....	•Zapfen.....	•핀 .....	•Pasador.....	
3	SA 1146-06890	1	1				•Lock Nut .....	•Contre-ecrou.....	•Sicher Mutter.....	•록 너트 .....	•Contratuerca.....	
4	SA 1146-06870	1	1				•Pad .....	•Patin.....	•Belag.....	•패드 .....	•Pastilla.....	
5	SA 1146-08110	1	1		K		•Seal .....	•Plomb.....	•Plombe.....	•시일 .....	•Plomo.....	
6	SA 1146-00380	1	1				•Head .....	•Tete.....	•Kopf .....	•헤드 .....	•Capo.....	
7	VOE 14503665	1					•Tube .....	•Tube.....	•Rohr .....	•튜브 .....	•Tubo.....	
	VOE 14515024		1				•Tube .....	•Tube.....	•Rohr .....	•튜브 .....	•Tubo.....	
8	SA 9624-11621	1					••Bushing .....	••Bague .....	••Buchse.....	••부싱 .....	••Casquillo.....	
	VOE 14511731		1				••Bushing .....	••Bague .....	••Buchse.....	••부싱 .....	••Casquillo.....	
9	VOE 14503884	2	2				••Seal .....	••Plomb .....	••Plombe .....	••시일 .....	••Plomo.....	
10	VOE 14508902	1					•Rod .....	•Monture.....	•Fuhler.....	•로드 .....	•Varilla.....	
	VOE 14515025		1				•Rod .....	•Monture.....	•Fuhler.....	•로드 .....	•Varilla.....	
11	SA 9624-11621	1					••Bushing .....	••Bague .....	••Buchse.....	••부싱 .....	••Casquillo.....	
	VOE 14511731		1				••Bushing .....	••Bague .....	••Buchse.....	••부싱 .....	••Casquillo.....	
12	VOE 14503884	2	2				••Seal .....	••Plomb .....	••Plombe .....	••시일 .....	••Plomo.....	
13	SA 9567-20950	1	1		K		•Ring .....	•Anneau .....	•Ring.....	•링 .....	•Anillo.....	
14	SA 9612-09540	1	1		K		•Bushing.....	•Bague .....	•Buchse.....	•부싱 .....	•Casquillo.....	
15	VOE 14512869	1	1				•Piston.....	•Piston.....	•Kolben.....	•피스톤 .....	•Piston.....	
16	VOE 14510827	1	1		K		•Seal .....	•Joint .....	•Dichtring.....	•시일 .....	•Junta.....	
17	SA 9565-11350	2	2		K		•Ring .....	•Anneau .....	•Ring.....	•링 .....	•Anillo.....	
18	SA 9568-01350	2	2		K		•Seal .....	•Plomb.....	•Plombe.....	•시일 .....	•Plomo.....	
19	SA 1146-01410	1	1				•Cushion .....	•Coussin.....	•Sitzkissen.....	•쿠션 .....	•Cojin.....	
20	SA 1146-00390	1	1				•Cushion .....	•Coussin.....	•Sitzkissen.....	•쿠션 .....	•Cojin.....	
21	VOE 949445	13	13				•Screw.....	•Vis.....	•Schraube.....	•스크류 .....	•Tornillo.....	
22	VOE 963059	1	1				•Set Screw .....	•Vis Butee .....	•Anschlagschraub .....	•세트 스크류 .....	•Tornillo Tope.....	
23	SA 9511-12125	2	2		K		•O-ring.....	•Joint Torique .....	•O-ring .....	•오링 .....	•Junta torica.....	
24	SA 9511-12080	1	1		K		•O-ring.....	•Joint Torique .....	•O-ring .....	•오링 .....	•Junta torica.....	

1	8277838	<b>Cilindro de brazo</b> 디퍼 암 실린더 <b>Stielzylinder</b> <b>Vérin de bras</b> <b>Dipper arm cylinder.</b>	Catalogue id	Group
2	8278188		<b>56141</b>	<b>975</b>
3			Illustr. No	Section
4			<b>TA297</b>	<b>1500</b>
5			Issue	Page
			<b>VOE 7414356141</b>	<b>639</b>





Fig.	Part No.	Quantity			P S	K I T	Description	Dénomination	Bezeichnung	품명	Denominación	Notes
		1	2	3								
25	SA 9556-09500	1	1			•Ring .....	•Anneau .....	•Ring.....	•링 .....	•Anillo.....		
26	SA 9557-08500	1	1			•Ring .....	•Anneau .....	•Ring.....	•링 .....	•Anillo.....		
27	SA 9563-20950	1	1		K	•Seal .....	•Plomb.....	•Plombe.....	•시일 .....	•Ploma.....		
28	SA 9564-20950	1	1		K	•Seal .....	•Plomb.....	•Plombe.....	•시일 .....	•Ploma.....		
29	SA 9566-11250	1	1		K	•Ring .....	•Anneau .....	•Ring.....	•링 .....	•Anillo.....		
30	SA 9566-31250	1	1		K	•Ring .....	•Anneau .....	•Ring.....	•링 .....	•Anillo.....		
100	VOE 14515052	1	1			Sealing Kit.....	Jeu Joints.....	Dichtungssatz .....	시일 키트 .....	Juego Retenes.....		

1	8277838	<b>Cilindro de brazo</b> 디퍼 암 실린더 <b>Stielzylinder</b> <b>Vérin de bras</b> <b>Dipper arm cylinder.</b>	Catalogue id	Group
2	8278188		<b>56141</b>	<b>975</b>
3			Illustr. No	Section
4			<b>TA297</b>	<b>1500</b>
5			Issue	Page
			<b>VOE 7414356141</b>	<b>641</b>

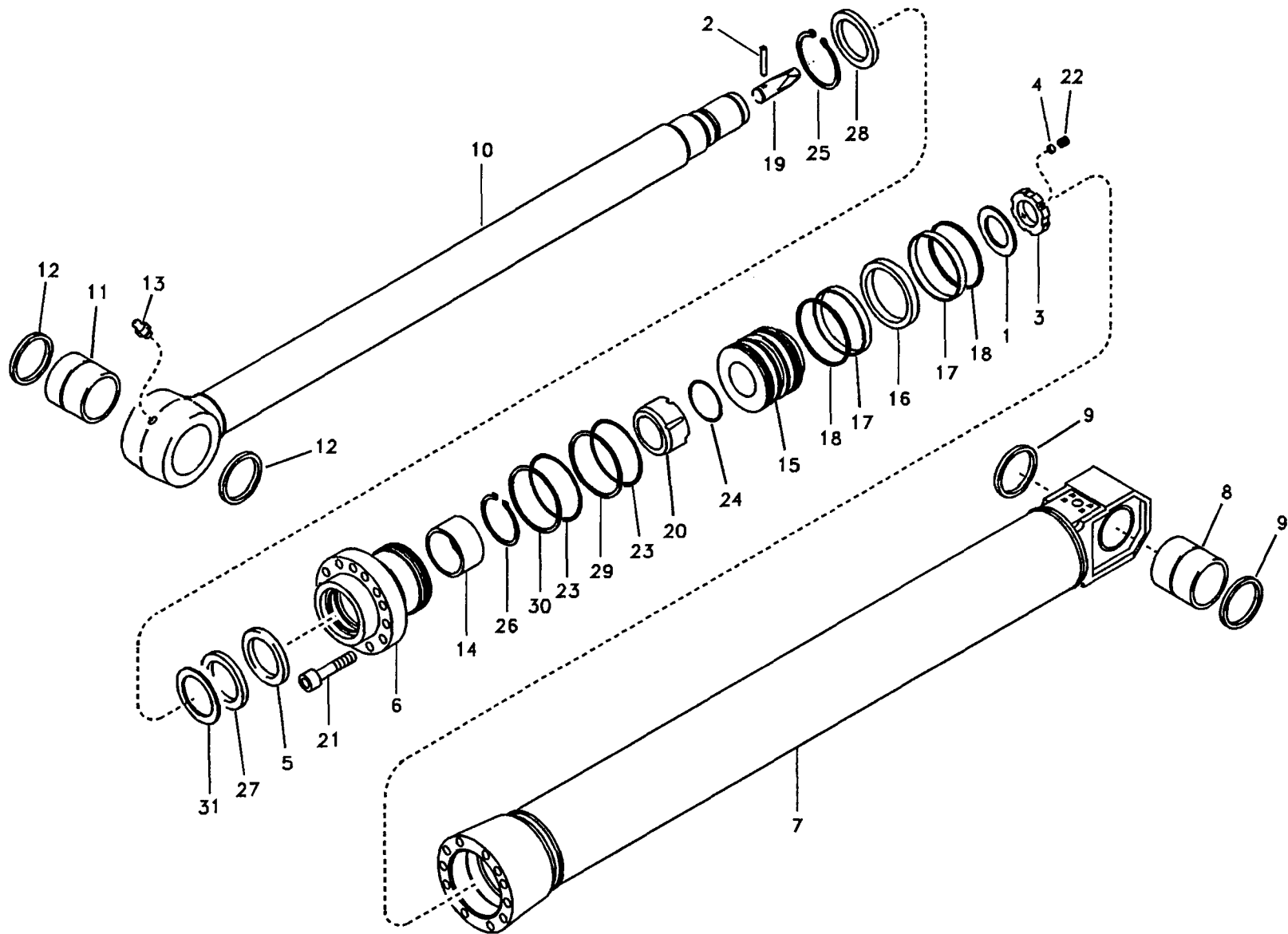


Fig.	Part No.	Quantity			P S	K T	Description	Dénomination	Bezeichnung	품명	Denominación	Notes
		1	2	3								
	VOE 14512432	1					Dipper Arm Cylinder.....			디퍼 암 실린더.....		
	VOE 14514852		1				Dipper Arm Cylinder.....			디퍼 암 실린더.....		
1	SA 9216-07010	1	1				•Washer .....	•Rondelle.....	•Scheibe.....	•와셔.....	•Arandela.....	
2	SA 1146-02880	1	1				•Pin .....	•Goupille.....	•Zapfen.....	•핀.....	•Pasador.....	
3	SA 1146-06890	1	1				•Lock Nut .....	•Contre-ecrou.....	•Sicher Mutter.....	•록 너트.....	•Contratuerca.....	
4	SA 1146-06870	1	1				•Pad .....	•Patin.....	•Belag.....	•패드.....	•Pastilla.....	
5	SA 1146-08110	1	1		K		•Seal .....	•Plomb.....	•Plombe.....	•시일.....	•Plomo.....	
6	SA 1146-06540	1	1				•Head .....	•Tete.....	•Kopf.....	•헤드.....	•Capo.....	
7	VOE 14513114	1					•Tube .....	•Tube.....	•Rohr.....	•튜브.....	•Tubo.....	
	VOE 14515027		1				•Tube .....	•Tube.....	•Rohr.....	•튜브.....	•Tubo.....	
8	SA 9624-11621	1					••Bushing .....	••Bague.....	••Buchse.....	••부싱.....	••Casquillo.....	
	VOE 14511731		1				••Bushing .....	••Bague.....	••Buchse.....	••부싱.....	••Casquillo.....	
9	VOE 14503884	2	2				••Seal .....	••Plomb.....	••Plombe.....	••시일.....	••Plomo.....	
10	VOE 14513115	1					•Rod .....	•Monture.....	•Fuhler.....	•로드.....	•Varilla.....	
	VOE 14515028		1				•Rod .....	•Monture.....	•Fuhler.....	•로드.....	•Varilla.....	
11	SA 9624-11621	1					••Bushing .....	••Bague.....	••Buchse.....	••부싱.....	••Casquillo.....	
	VOE 14511731		1				••Bushing .....	••Bague.....	••Buchse.....	••부싱.....	••Casquillo.....	
12	VOE 14503884	2	2				••Seal .....	••Plomb.....	••Plombe.....	••시일.....	••Plomo.....	
13	SA 9481-10003	1	1				••Nipple .....	••Raccord.....	••Nippel.....	••니플.....	••Niple.....	
14	SA 9612-09540	1	1		K		•Bushing.....	•Bague.....	•Buchse.....	•부싱.....	•Casquillo.....	
15	VOE 14512869	1	1				•Piston.....	•Piston.....	•Kolben.....	•피스톤.....	•Piston.....	
16	VOE 14510827	1	1		K		•Seal .....	•Joint.....	•Dichtring.....	•시일.....	•Junta.....	
17	SA 9565-11350	2	2		K		•Ring .....	•Anneau.....	•Ring.....	•링.....	•Anillo.....	
18	SA 9568-01350	2	2		K		•Seal .....	•Plomb.....	•Plombe.....	•시일.....	•Plomo.....	
19	SA 1146-01410	1	1				•Cushion .....	•Coussin.....	•Sitzkissen.....	•쿠션.....	•Cojin.....	
20	SA 1146-00390	1	1				•Cushion .....	•Coussin.....	•Sitzkissen.....	•쿠션.....	•Cojin.....	
21	SA 9016-22212	15	15				•Bolt .....	•Boulon.....	•Bolzen.....	•볼트.....	•Perno.....	
22	VOE 963059	1	1				•Set Screw .....	•Vis Butee.....	•Anschlagschraub.....	•세트 스크류.....	•Tornillo Tope.....	
23	SA 9511-12125	2	2		K		•O-ring.....	•Joint Torique.....	•O-ring.....	•오링.....	•Junta torica.....	
24	SA 9511-12080	1	1		K		•O-ring.....	•Joint Torique.....	•O-ring.....	•오링.....	•Junta torica.....	

1	8277839	Cilindro de brazo para alcance largo  Stielzylinder für lang Ausladung Vérin de bras pour étendue longue Dipper arm cylinder, long reach	Catalogue id	Group
2	8278189		56141	975
3			Illustr. No	Section
4			TA298	1600
5			Issue	Page
			VOE 7414356141	643

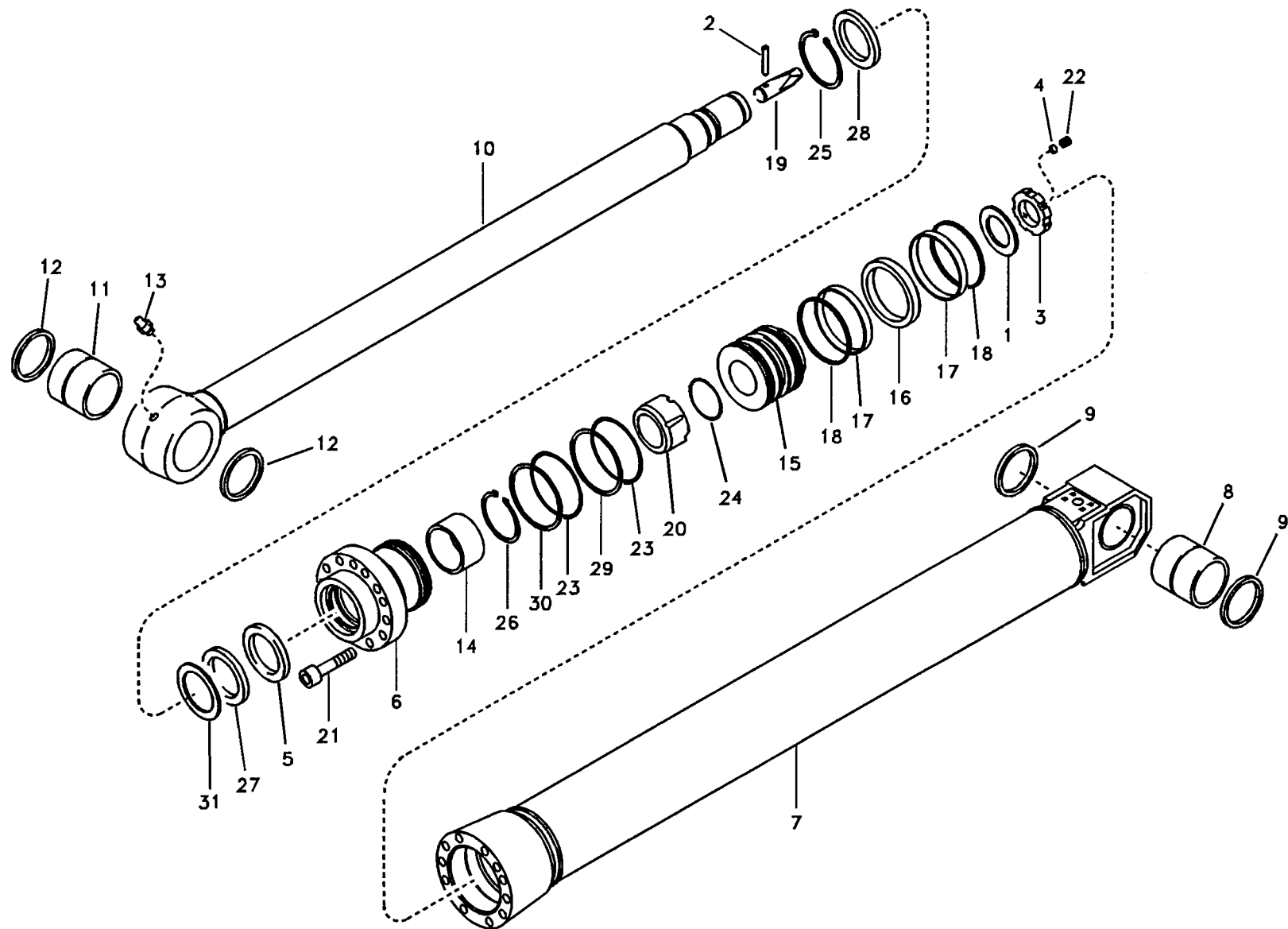


Fig.	Part No.	Quantity			P S	K I T	Description	Dénomination	Bezeichnung	품명	Denominación	Notes
		1	2	3								
25	SA 9556-09500	1	1			•Ring .....	•Anneau .....	•Ring.....	•링 .....	•Anillo.....		
26	SA 9557-08500	1	1			•Ring .....	•Anneau .....	•Ring.....	•링 .....	•Anillo.....		
27	SA 9563-20950	1	1		K	•Seal .....	•Plomb.....	•Plombe.....	•시일 .....	•Plomo.....		
28	SA 9564-20950	1	1		K	•Seal .....	•Plomb.....	•Plombe.....	•시일 .....	•Plomo.....		
29	SA 9566-31250	1	1		K	•Ring .....	•Anneau .....	•Ring.....	•링 .....	•Anillo.....		
30	SA 9566-11250	1	1		K	•Ring .....	•Anneau .....	•Ring.....	•링 .....	•Anillo.....		
31	SA 9567-20950	1	1			•Ring .....	•Anneau .....	•Ring.....	•링 .....	•Anillo.....		
100	VOE 14515052	1	1			Sealing Kit.....	Jeu Joints.....	Dichtungssatz .....	시일 킷 .....	Juego Retenes.....		

1	8277839	Cilindro de brazo para alcance largo  Stielzylinder für lang Ausladung Vérin de bras pour étendue longue Dipper arm cylinder, long reach	Catalogue id	Group
2	8278189		<b>56141</b>	<b>975</b>
3			Illustr. No	Section
4			<b>TA298</b>	<b>1600</b>
5			Issue	Page
			VOE 7414356141	<b>645</b>

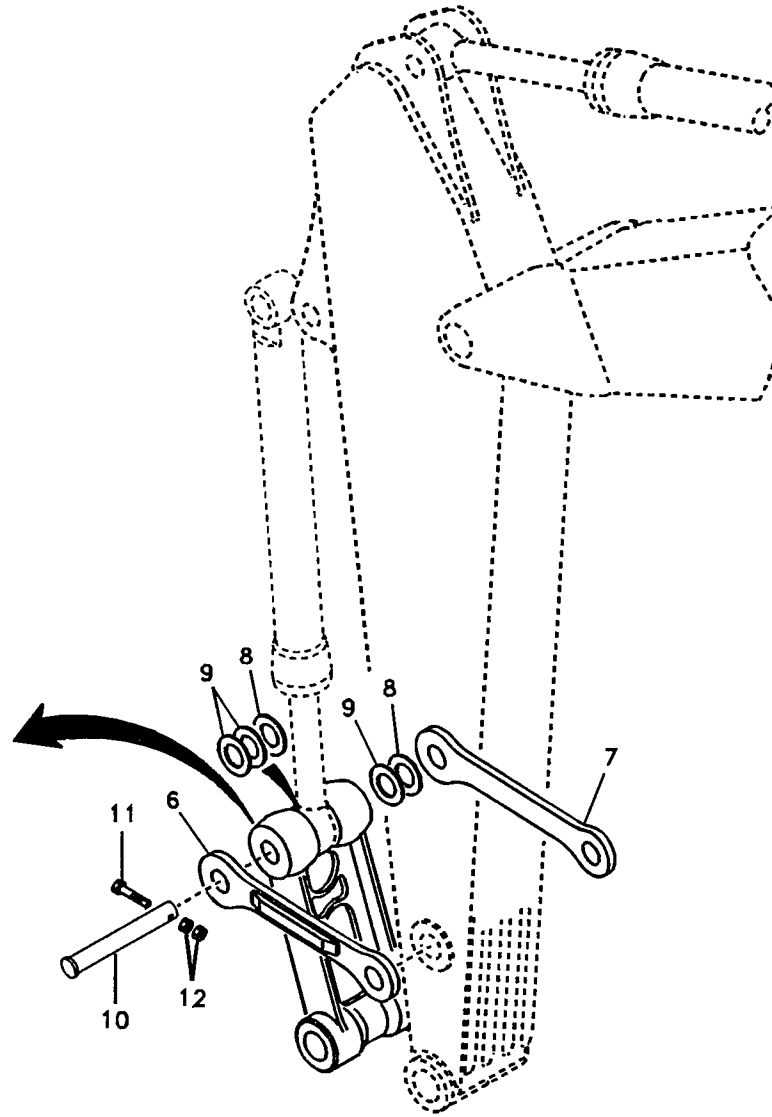
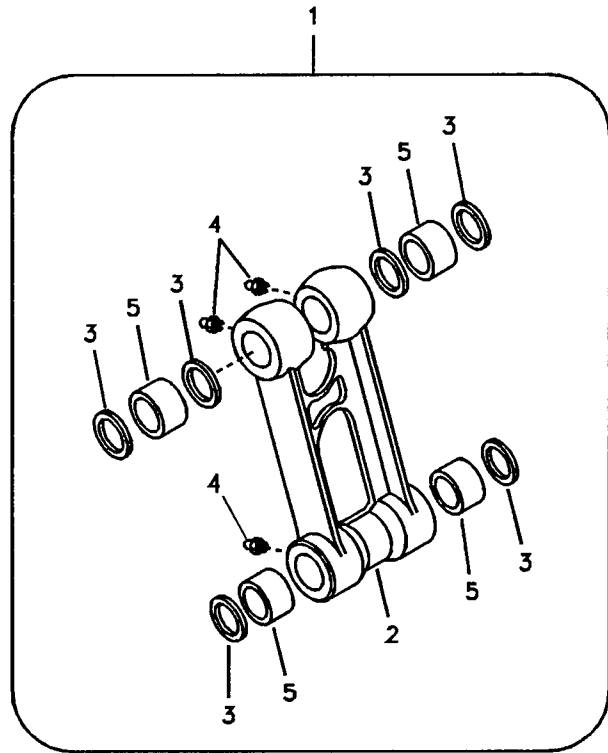


Fig.	Part No.	Quantity			P S	K T	Description	Dénomination	Bezeichnung	품명	Denominación	Notes
		1	2	3								
1	VOE 14511114	1				Connecting Rod .....	Bielle .....	Pleuel .....	커넥팅 로드 .....	Biela.....		
	VOE 14512481		1			Connecting Rod .....	Bielle .....	Pleuel .....	커넥팅 로드 .....	Biela.....		
2		1			NS	•Connecting Rod.....	•Bielle.....	•Pleuel.....	• 커넥팅 로드 .....	•Biela.....		
		1			NS	•Connecting Rod.....	•Bielle.....	•Pleuel.....	• 커넥팅 로드 .....	•Biela.....		
3	VOE 14504124	6				•Seal .....	•Joint .....	•Dichtring.....	• 시일 .....	•Junta.....		
	VOE 14503884		6			•Seal .....	•Plomb.....	•Plombe.....	• 시일 .....	•Plomo.....		
4	SA 9481-11003	4	4			•Nipple .....	•Raccord .....	•Nippel.....	• 니플 .....	•Niple.....		
5	VOE 14513634	4				•Bushing.....	•Bague .....	•Buchse.....	• 부싱 .....	•Casquillo.....		
	VOE 14512699		4			•Bushing.....	•Bague .....	•Buchse.....	• 부싱 .....	•Casquillo.....		
6	SA 1172-01031	1				Yoke.....	Chape .....	Joch .....	요크 .....	Horquilla.....	LH	
	VOE 14512478		1			Yoke.....	Chape .....	Joch .....	요크 .....	Horquilla.....	LH	
7	SA 1172-01041	1				Yoke.....	Chape .....	Joch .....	요크 .....	Horquilla.....	RH	
	VOE 14512479		1			Yoke.....	Chape .....	Joch .....	요크 .....	Horquilla.....	RH	
8	SA 1173-00610	2				Shim.....	Cale Reglage .....	Nachstellblech .....	심 .....	Cuna de calzar.....	0,5mm	
	SA 1173-00190		2			Shim.....	Cale Reglage .....	Nachstellblech .....	심 .....	Cuna de calzar.....	0,5mm	
9	SA 1173-00620	3				Shim.....	Cale Reglage .....	Nachstellblech .....	심 .....	Cuna de calzar.....	1,0mm	
	SA 1173-00180		3			Shim.....	Cale Reglage .....	Nachstellblech .....	심 .....	Cuna de calzar.....	1,0mm	
10	VOE 14510307	1				Pin.....	Goupille.....	Zapfen .....	핀 .....	Pasador.....		
	VOE 14512678		1			Pin.....	Goupille.....	Zapfen .....	핀 .....	Pasador.....		
11	VOE 983260	1				Screw .....	Vis .....	Schraube .....	스크류 .....	Tornillo.....		
	SA 9011-21623		1			Bolt.....	Boulon.....	Bolzen .....	볼트 .....	Perno.....		
12	VOE 979021	2	2			Nut .....	Ecrou.....	Mutter .....	너트 .....	Tuerca.....		

1	8277535	<b>Articulacions enlace contra varilla piston</b> 커넥팅 로드 연결 장치 <b>Gelenke zu anschliessend Kolbenstange</b> <b>Articulations joindre vers tige piston</b> <b>Links to connecting rod</b>	Catalogue id	Group
2	8277835		<b>56141</b>	<b>975</b>
3			Illustr. No	Section
4			<b>TA299</b>	<b>1900</b>
5			Issue	Page
		<b>VOE 7414356141</b>	<b>647</b>	



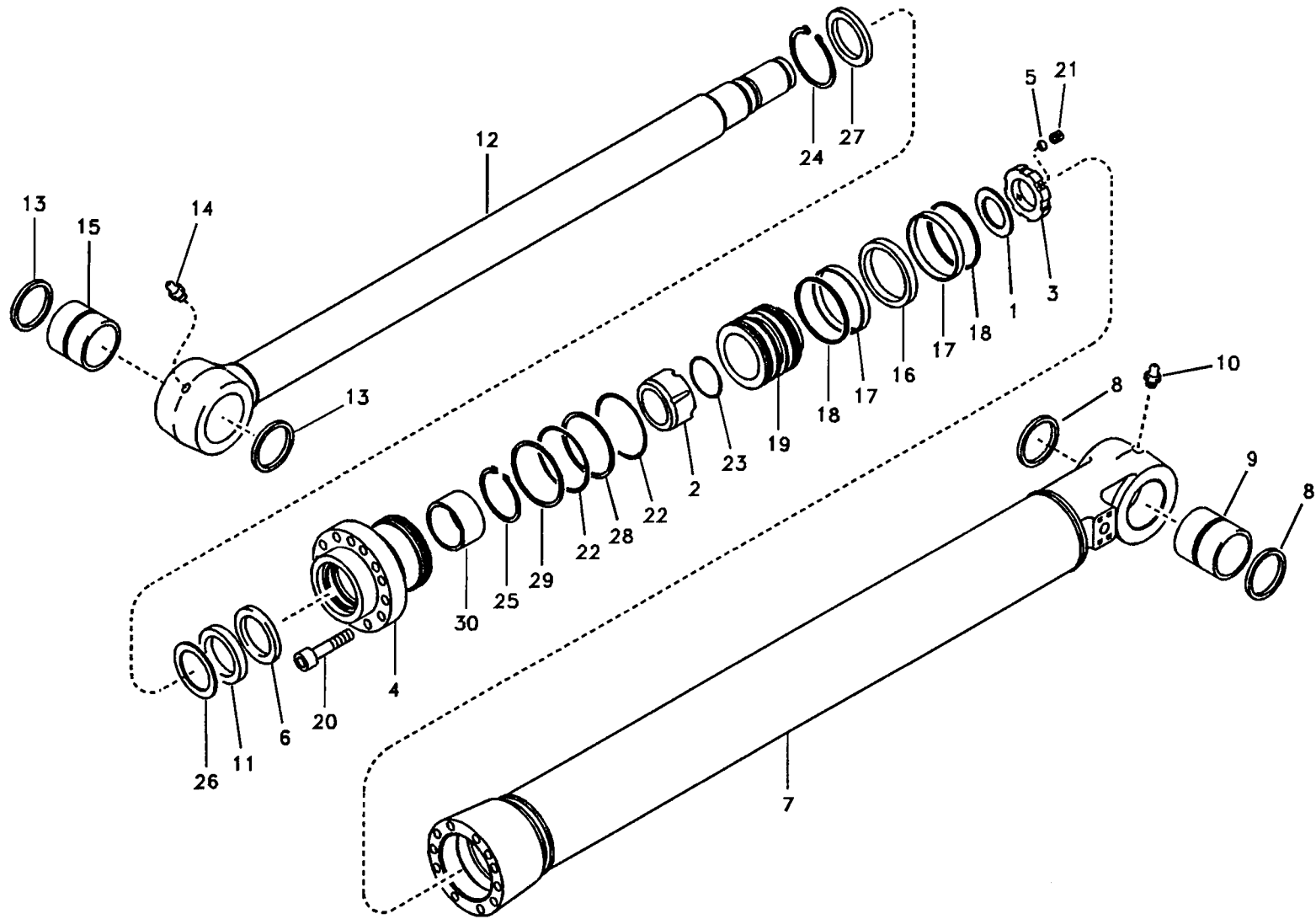


Fig.	Part No.	Quantity			P S	K T	Description	Dénomination	Bezeichnung	품명	Denominación	Notes
		1	2	3								
	VOE 14512430	1					Bucket Cylinder.....	Verin de godet.....	Löffelzylinder .....	버킷 실린더 .....	Maquina de copa.....	
	VOE 14514851		1				Bucket Cylinder.....	Verin de godet.....	Löffelzylinder .....	버킷 실린더 .....	Maquina de copa.....	
1	SA 9216-06520	1	1				•Washer .....	•Rondelle.....	•Scheibe.....	•와셔 .....	•Arandela.....	
2	SA 1146-00220	1	1				•Cushion .....	•Coussin.....	•Sitzkissen.....	•쿠션 .....	•Cojin.....	
3	SA 1146-06880	1	1				•Lock Nut .....	•Contre-ecrou.....	•Sicher Mutter.....	•록 너트 .....	•Contratuerca.....	
4	SA 1146-00610	1	1				•Head .....	•Tete.....	•Kopf .....	•헤드 .....	•Capo.....	
5	SA 1146-06870	1	1				•Pad .....	•Patin.....	•Belag.....	•패드 .....	•Pastilla.....	
6	SA 1146-08090	1	1		K		•Seal .....	•Plomb.....	•Plombe.....	•시일 .....	•Plomo.....	
7	VOE 14512884	1					•Tube .....	•Tube.....	•Rohr .....	•튜브 .....	•Tubo.....	
	VOE 14515026		1				•Tube .....	•Tube.....	•Rohr .....	•튜브 .....	•Tubo.....	
8	VOE 14503884	2	2				••Seal .....	••Plomb .....	••Plombe .....	••시일 .....	••Plomo.....	
9	SA 9624-11617	1					••Bushing .....	••Bague .....	••Buchse.....	••부싱 .....	••Casquillo.....	
	VOE 14514446		1				••Bushing .....	••Bague .....	••Buchse.....	••부싱 .....	••Casquillo.....	
10	SA 9481-10003	1	1				••Nipple .....	••Raccord .....	••Nippel .....	••니플 .....	••Niple.....	
11	SA 9567-20801	1	1		K		•Ring .....	•Anneau .....	•Ring.....	•링 .....	•Anillo.....	
12	VOE 14512888	1	1				•Rod .....	•Monture.....	•Fuhler.....	•로드 .....	•Varilla.....	
13	VOE 14503884	2	2				••Seal .....	••Plomb .....	••Plombe .....	••시일 .....	••Plomo.....	
14	SA 9481-10003	1	1				••Nipple .....	••Raccord .....	••Nippel .....	••니플 .....	••Niple.....	
15	SA 9624-11617	1	1				••Bushing .....	••Bague .....	••Buchse.....	••부싱 .....	••Casquillo.....	
16	VOE 14512070	1	1		K		•Seal .....	•Joint .....	•Dichtring.....	•시일 .....	•Junta.....	
17	SA 9565-11200	2	2		K		•Ring .....	•Anneau .....	•Ring.....	•링 .....	•Anillo.....	
18	SA 9568-01200	2	2		K		•Seal .....	•Plomb.....	•Plombe.....	•시일 .....	•Plomo.....	
19	VOE 14512889	1	1				•Piston.....	•Piston.....	•Kolben.....	•피스톤 .....	•Piston.....	
20	VOE 949445	12	12				•Screw.....	•Vis.....	•Schraube.....	•스크류 .....	•Tornillo.....	
21	VOE 963059	1	1				•Set Screw .....	•Vis Butee .....	•Anschlagschraub .....	•세트 스크류 .....	•Tornillo Tope.....	
22	SA 9511-12110	2	2		K		•O-ring.....	•Joint Torique.....	•O-ring.....	•오링 .....	•Junta torica.....	
23	SA 9511-12065	1	1		K		•O-ring.....	•Joint Torique.....	•O-ring.....	•오링 .....	•Junta torica.....	
24	SA 9556-08000	1	1				•Ring .....	•Anneau .....	•Ring.....	•링 .....	•Anillo.....	
25	SA 9557-07000	1	1				•Ring .....	•Anneau .....	•Ring.....	•링 .....	•Anillo.....	
26	SA 9563-20801	1	1		K		•Seal .....	•Plomb.....	•Plombe.....	•시일 .....	•Plomo.....	

1	8277840	<b>Cilindro de cazo</b> 버킷 실린더 <b>Schaufelzylinder</b> <b>Vérin de godet</b> <b>Bucket cylinder</b>	Catalogue id	Group
2	8278190		<b>56141</b>	<b>975</b>
3			Illustr. No	Section
4			<b>TA300</b>	<b>2500</b>
5			Issue	Page
			<b>VOE 7414356141</b>	<b>649</b>

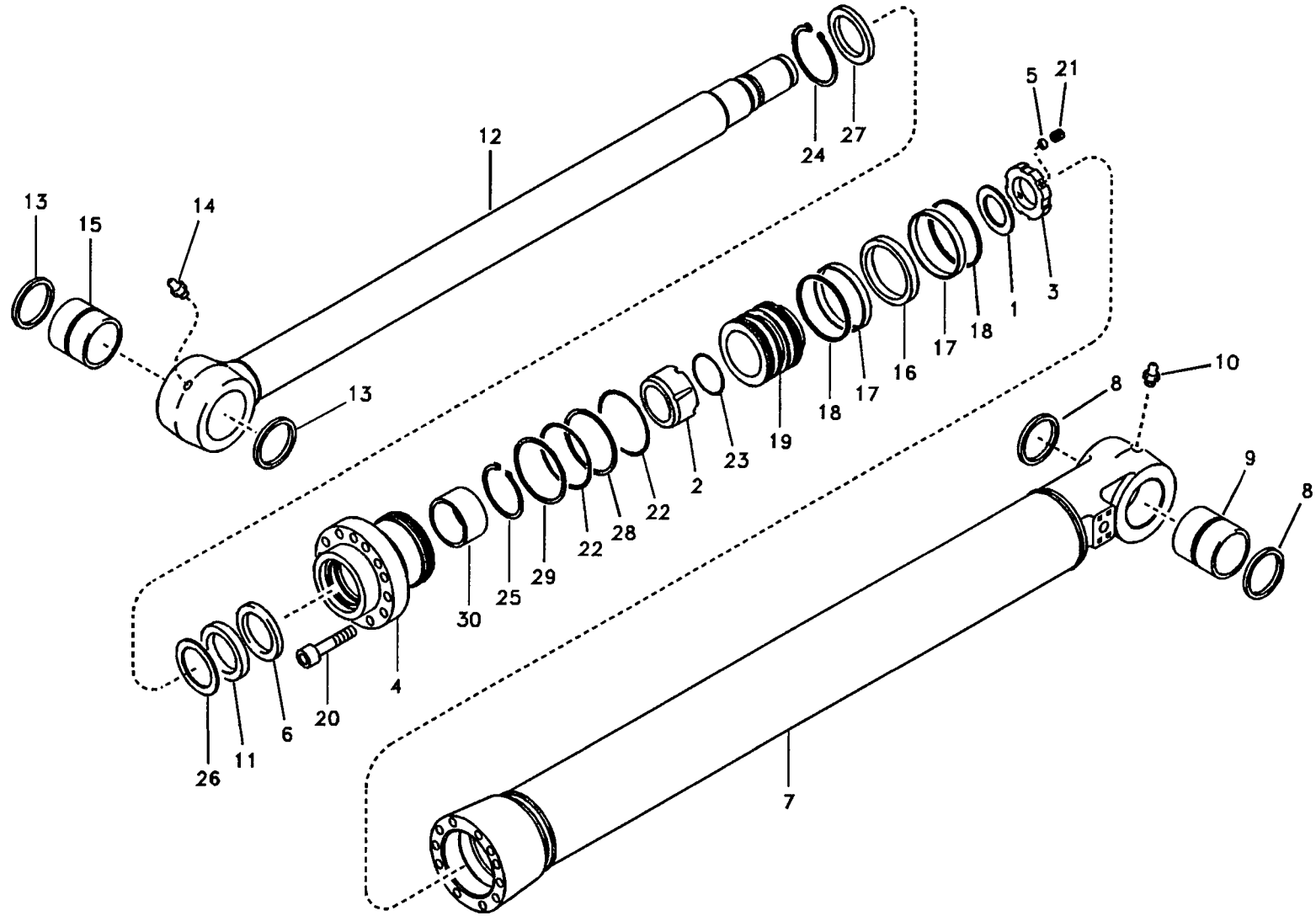


Fig.	Part No.	Quantity			P S	K I T	Description	Dénomination	Bezeichnung	품명	Denominación	Notes
		1	2	3								
27	SA 9564-20800	1	1			K •Seal .....	•Plomb.....	•Plombe.....	• 시일.....	•Plomo.....		
28	SA 9566-31100	1	1			K •Ring .....	•Anneau .....	•Ring.....	• 링.....	•Anillo.....		
29	SA 9566-11100	1	1			K •Ring .....	•Anneau .....	•Ring.....	• 링.....	•Anillo.....		
30	SA 9612-08040	1	1			K •Bushing.....	•Bague .....	•Buchse.....	• 부상.....	•Casquillo.....		
100	VOE 14515053	1	1			Sealing Kit.....	Jeu Joints.....	Dichtungssatz.....	시일 킷 .....	Juego Retenes.....		

1	8277840	<b>Cilindro de cazo</b> 버킷 실린더 <b>Schaufelzylinder</b> <b>Vérin de godet</b> <b>Bucket cylinder</b>	Catalogue id	Group
2	8278190		<b>56141</b>	<b>975</b>
3			Illustr. No	Section
4			<b>TA300</b>	<b>2500</b>
5			Issue	Page
			<b>VOE 7414356141</b>	<b>651</b>

**VOLVO**

**EC210B**

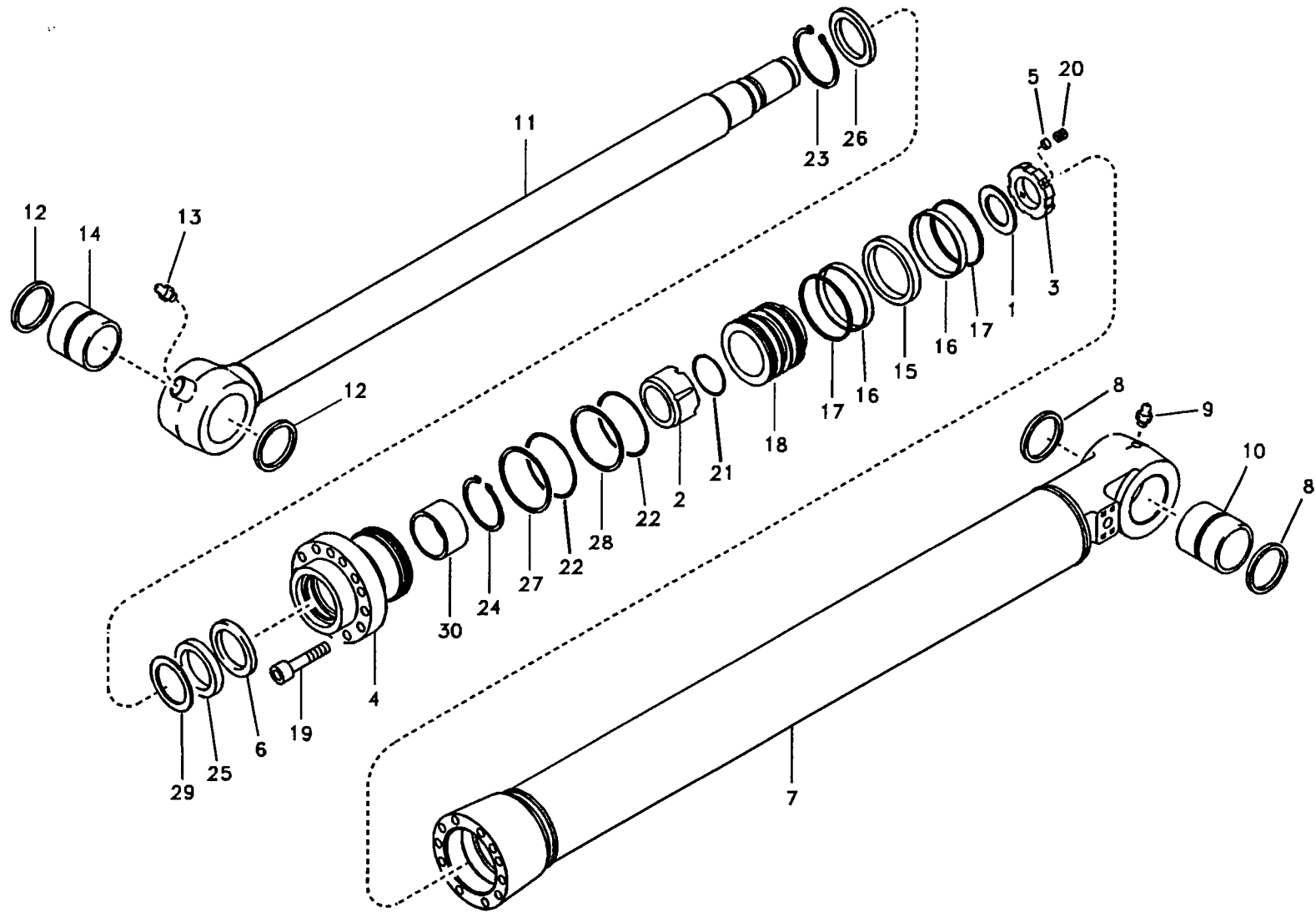


Fig.	Part No.	Quantity			P S	K T	Description	Dénomination	Bezeichnung	품명	Denominación	Notes
		1	2	3								
	VOE 14510883	1					Bucket Cylinder.....	Verin de godet.....	Löffelzylinder .....	버킷 실린더 .....	Maquina de copa.....	
	VOE 14514560		1				Bucket Cylinder.....	Verin de godet.....	Löffelzylinder .....	버킷 실린더 .....	Maquina de copa.....	
1	SA 9216-04510	1	1				•Washer .....	•Rondelle.....	•Scheibe .....	•와셔 .....	•Arandela.....	
2	SA 1146-01330	1	1				•Cushion .....	•Coussin.....	•Sitzkissen.....	•쿠션 .....	•Cojin.....	
3	SA 1146-06910	1	1				•Lock Nut .....	•Contre-ecrou.....	•Sicher Mutter.....	•록 너트 .....	•Contratuerca.....	
4	SA 1146-01480	1	1				•Head .....	•Tete.....	•Kopf .....	•헤드 .....	•Capo.....	
5	SA 1146-06870	1	1				•Pad .....	•Patin.....	•Belag.....	•패드 .....	•Pastilla.....	
6	SA 1146-08170	1					•Ring .....	•Anneau .....	•Ring.....	•링 .....	•Anillo.....	
	SA 1146-07940		1		K		•Seal .....	•Plomb.....	•Plombe.....	•시일 .....	•Plomo.....	
7	VOE 14510889	1					•Tube .....	•Tube.....	•Rohr .....	•튜브 .....	•Tubo.....	
	VOE 14514572		1				•Tube .....	•Tube.....	•Rohr .....	•튜브 .....	•Tubo.....	
8	VOE 14503887	2	2				••Seal .....	••Plomb .....	••Plombe .....	••시일 .....	••Plomo.....	
9	SA 9481-10003	1	1				••Nipple .....	••Raccord .....	••Nippel .....	••니플 .....	••Niple.....	
10	SA 9624-11417	1					••Bushing .....	••Bague .....	••Buchse.....	••부싱 .....	••Casquillo.....	
	VOE 14514444		1				••Bushing .....	••Bague .....	••Buchse.....	••부싱 .....	••Casquillo.....	
11	VOE 14510890	1	1				•Rod .....	•Monture.....	•Fuhler.....	•로드 .....	•Varilla.....	
12	VOE 14504125	2	2				••Seal .....	••Joint.....	••Dichtring .....	••시일 .....	••Junta.....	
13	SA 9481-10003	1	1				••Nipple .....	••Raccord .....	••Nippel .....	••니플 .....	••Niple.....	
14	SA 1040-95320	1	1				••Bushing .....	••Bague .....	••Buchse.....	••부싱 .....	••Casquillo.....	
15	VOE 14510892	1	1		K		•Seal .....	•Joint.....	•Dichtring.....	•시일 .....	•Junta.....	
16	SA 9565-11000	2	2		K		•Ring .....	•Anneau .....	•Ring.....	•링 .....	•Anillo.....	
17	SA 9568-01000	2	2		K		•Seal .....	•Plomb.....	•Plombe.....	•시일 .....	•Plomo.....	
18	VOE 14510891	1	1				•Piston.....	•Piston.....	•Kolben.....	•피스톤 .....	•Piston.....	
19	VOE 949445	11	11				•Screw.....	•Vis.....	•Schraube.....	•스크류 .....	•Tornillo.....	
20	VOE 963059	1	1				•Set Screw .....	•Vis Butee .....	•Anschlagschraub .....	•세트 스크류 .....	•Tornillo Tope.....	
21	SA 9511-12055	1	1		K		•O-ring.....	•Joint Torique.....	•O-ring.....	•오링 .....	•Junta torica.....	
22	SA 9511-22095	2	2		K		•O-ring.....	•Joint Torique.....	•O-ring.....	•오링 .....	•Junta torica.....	
23	SA 9556-07000	1	1				•Ring .....	•Anneau .....	•Ring.....	•링 .....	•Anillo.....	
24	SA 9557-06000	1	1				•Ring .....	•Anneau .....	•Ring.....	•링 .....	•Anillo.....	
25	SA 9563-20701	1	1		K		•Seal .....	•Plomb.....	•Plombe.....	•시일 .....	•Plomo.....	

1	8277540	<b>Cilindro cuchara, alcance largo</b> <b>롱 리치 버킷 실린더</b> <b>Löffelzylinder, lang Ausladung</b> <b>Verin godet, étendue longue</b> <b>Bucket cylinder, long reach</b>	Catalogue id	Group
2	8278141		<b>56141</b>	<b>975</b>
3			Illustr. No	Section
4			<b>TA301</b>	<b>2700</b>
5			Issue	Page
			<b>VOE 7414356141</b>	<b>653</b>

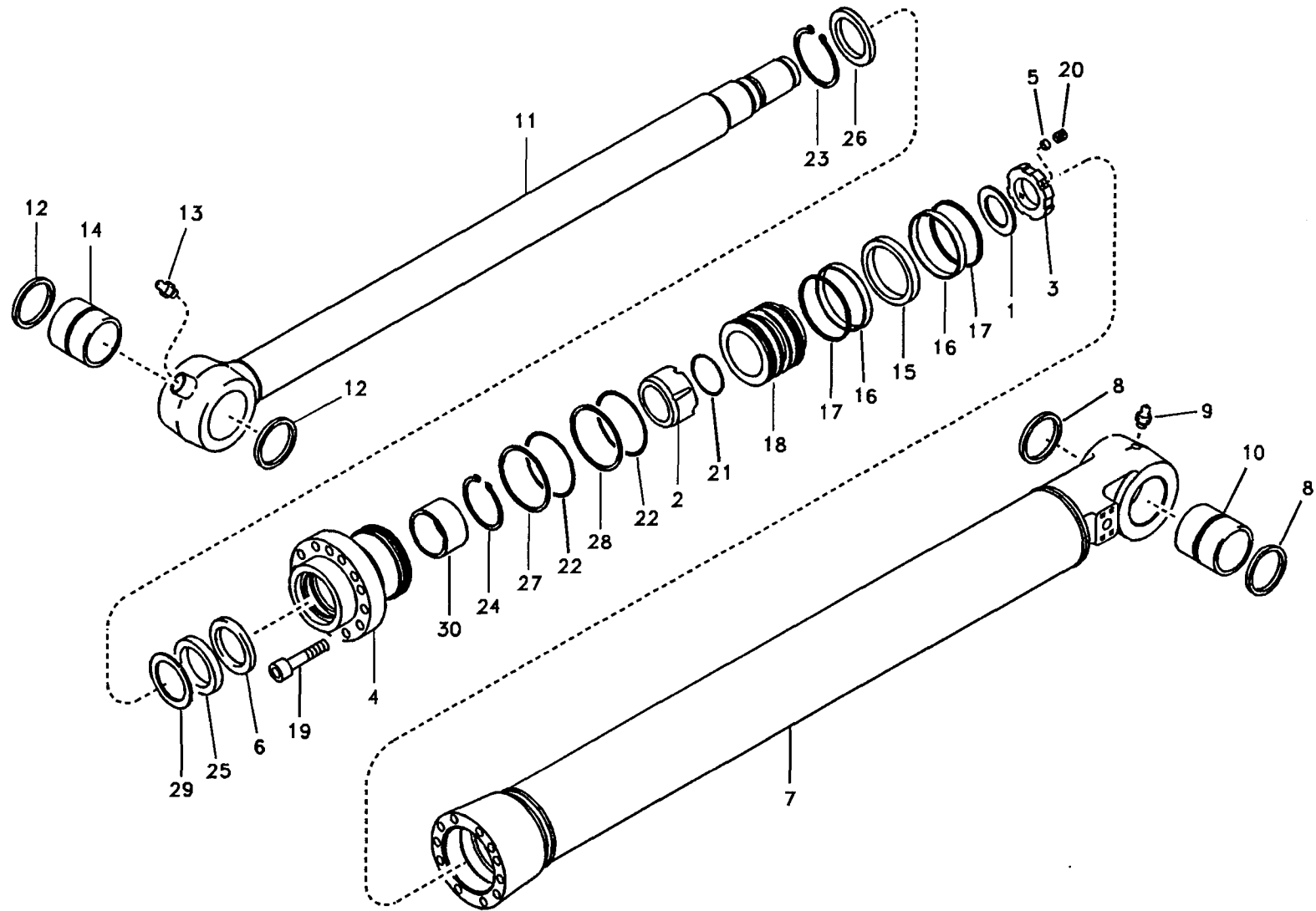


Fig.	Part No.	Quantity			P S	K I T	Description	Dénomination	Bezeichnung	품명	Denominación	Notes
		1	2	3								
26	SA 9564-20700	1	1			K •Seal .....	•Plomb.....	•Plombe.....	•시일 .....	•Plomo.....		
27	SA 9566-20950	1	1			K •Ring .....	•Anneau .....	•Ring.....	•링 .....	•Anillo.....		
28	SA 9566-40950	1	1			K •Ring .....	•Anneau .....	•Ring.....	•링 .....	•Anillo.....		
29	SA 9567-20701	1	1			K •Ring .....	•Anneau .....	•Ring.....	•링 .....	•Anillo.....		
30	SA 9612-07040	1	1			K •Bushing.....	•Bague .....	•Buchse.....	•부싱 .....	•Casquillo.....		
100	VOE 14513718	1	1			Sealing Kit.....	Jeu Joints.....	Dichtungssatz .....	시일 키트 .....	Juego Retenes.....		

1	8277540	<b>Cilindro cuchara, alcance largo</b> <b>롱 리치 버킷 실린더</b> <b>Löffelzylinder, lang Ausladung</b> <b>Verin godet, étendue longue</b> <b>Bucket cylinder, long reach</b>	Catalogue id	Group
2	8278141		<b>56141</b>	<b>975</b>
3			Illustr. No	Section
4			<b>TA301</b>	<b>2700</b>
5			Issue	Page
			<b>VOE 7414356141</b>	<b>655</b>

**VOLVO**

**EC210B**



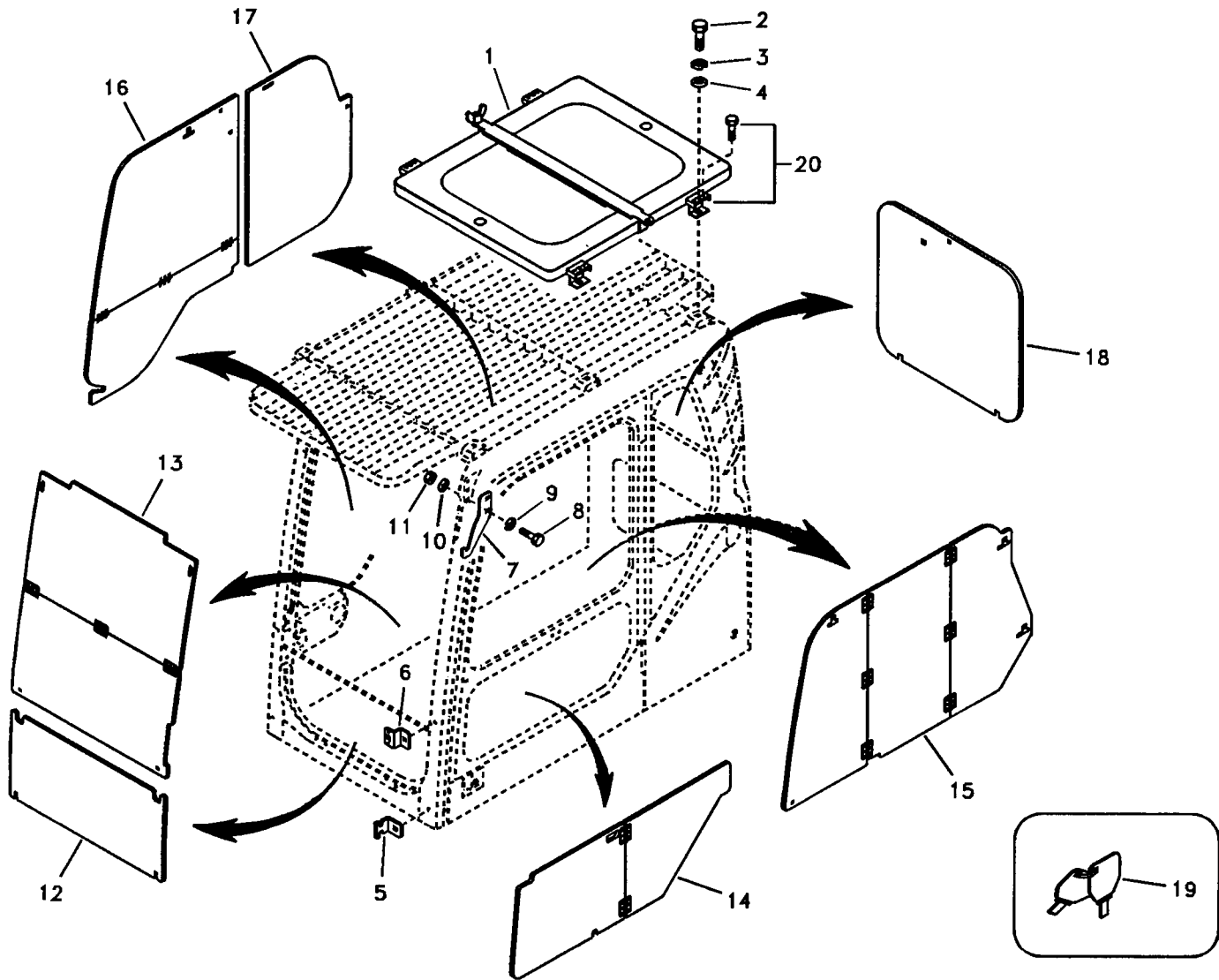


Fig.	Part No.	Quantity			P S	K I T	Description	Dénomination	Bezeichnung	품명	Denominación	Notes
		1	2	3								
1	VOE 14512662	1				Box.....	Boîte.....	Kasten.....	박스.....	Caja.....		
2	VOE 978932	4				Screw.....	Vis.....	Schraube.....	스크류.....	Tornillo.....		
3	VOE 955923	4				Washer.....	Rondelle.....	Scheibe.....	와셔.....	Arandela.....		
4	VOE 955897	4				Washer.....	Rondelle.....	Scheibe.....	와셔.....	Arandela.....		
5	VOE 14509865	2				Bracket.....	Console.....	Konsole.....	브라켓.....	Ménsula.....		
6	VOE 14509864	2				Bracket.....	Console.....	Konsole.....	브라켓.....	Ménsula.....		
7	VOE 14508479	2				Bracket.....	Console.....	Konsole.....	브라켓.....	Ménsula.....		
8	VOE 983252	4				Screw.....	Vis.....	Schraube.....	스크류.....	Tornillo.....		
9	VOE 955922	4				Spring Washer.....	Rondelle ressort.....	Federscheibe.....	스프링 와셔.....	Arandela resorte.....		
10	VOE 960148	8				Washer.....	Rondelle.....	Scheibe.....	와셔.....	Arandela.....		
11	SA 9131-11000	4				Lock Nut.....	Contre-ecrou.....	Sicher Mutter.....	록 너트.....	Contratuerca.....		
12	VOE 14509858	1				Cover.....	Capot.....	Haube.....	커버.....	Capo.....		
13	VOE 14509857	1				Cover.....	Capot.....	Haube.....	커버.....	Capo.....		
14	VOE 14509860	1				Cover.....	Capot.....	Haube.....	커버.....	Capo.....		
15	VOE 14509859	1				Cover.....	Capot.....	Haube.....	커버.....	Capo.....		
16	VOE 14511133	1				Cover.....	Capot.....	Haube.....	커버.....	Capo.....		
17	VOE 14511134	1				Cover.....	Capot.....	Haube.....	커버.....	Capo.....		
18	VOE 14512673	1				Cover.....	Capot.....	Haube.....	커버.....	Capo.....		
19	VOE 14502426	1				Key.....	Clavette.....	Keil.....	키.....	Llave (cuna).....		
20	VOE 14517401	1				Channel.....	Barre U.....	U-träger.....	채널.....	Barra-u.....		

1	8277803	<b>Sistema antirrobo</b> 도난 방지 장치 <b>Diebstahlschutz</b> <b>Système antivol</b> <b>Antitheft system</b>	Catalogue id	Group
2			<b>56141</b>	<b>992</b>
3			Illustr. No	Section
4			<b>TA302</b>	<b>100</b>
5			Issue	Page
		<b>VOE 7414356141</b>	<b>657</b>	

REPLACED PARTS	교체부품	Catalogue id <b>56141</b>	Group <b>1000</b>
PIÈCES PÉRIMÉES ET REMPLACÉES	PIEZAS SUBSTITUDAS	Issue <b>VOE 7414356141</b>	Page <b>1</b>
ERSETZTE ARTIKEL			

Part No	Replaced by	Quantity	Part No	Replaced by	Quantity	Part No	Replaced by	Quantity	Part No	Replaced by	Quantity
SA 1122-04520	*** USE			VOE 14511642	1.00		MI 11702090	1.00		FOR VOLVO BM	
	VOE 11039255	1.00	VOE 955894	*** USE		SA 8230-21690	*** USE			VOE 13955897	1.00
SA 8230-00210	*** USE			FOR VOLVO BM +			SA 9511-12175	1.00		FOR MICHIGAN	
	SA 9512-02131	1.00		MICHIGAN		SA 8230-11080	*** USE			VOE 12003881	1.00
VOE 946173	*** USE			VOE 13955894	1.00		SA 7273-10060	1.00	VOE 14500033	*** USE	
	FOR VOLVO BM			FOR LIFT TRUCK		VOE 955894	*** USE			VOE 14506889	1.00
	VOE 13946173	1.00		VOE 12003793	1.00		FOR VOLVO BM +		SA 8230-13430	*** USE	
	FOR MICHIGAN		VOE 955894	*** USE			MICHIGAN			VOE 14512954	1.00
	MI 11702090	1.00		FOR VOLVO BM +			VOE 13955894	1.00	VOE 14500033	*** USE	
VOE 960148	*** USE			MICHIGAN			FOR LIFT TRUCK			VOE 14506889	1.00
SA 8230-19730	*** USE			VOE 13955894	1.00		VOE 12003793	1.00			
	SA 8230-19731	1.00		FOR LIFT TRUCK		VOE 14500033	*** USE				
	FÖR VOLVO BM			VOE 12003793	1.00		VOE 14506889	1.00			
	VOE 13960148	SS	SA 8230-00400	*** USE		VOE 14500033	*** USE				
	FÖR MICHIGAN			SA 9511-42912	1.00		VOE 14506889	1.00			
	VOE 12000856	1.00	VOE 960148	*** USE		VOE 945444	*** USE				
SA 9811-12150	*** USE			FÖR VOLVO BM			FÖR VOLVO BM				
SA 8230-11060	*** USE			VOE 13960148	SS		VOE 13945444	1.00			
	SA 7273-10030	1.00		FÖR MICHIGAN			FÖR MICHIGAN				
	VOE 14511103	1.00		VOE 12000856	1.00		VOE 12000109	1.00			
VOE 946173	*** USE		SA 8230-10750	*** USE		VOE 947542	*** USE				
VOE 946934	*** USE			SA 7272-03140	1.00		FÖR VOLVO BM				
	FOR VOLVO BM		VOE 955894	*** USE			VOE 13947542	1.00			
	VOE 13946934	1.00		FOR VOLVO BM +			FÖR MICHIGAN				
	FOR MICHIGAN			MICHIGAN			VOE 12000124	1.00			
	VOE 12003506	SS		VOE 13955894	1.00	VOE 960148	*** USE				
	FOR VOLVO BM			FOR LIFT TRUCK			FÖR VOLVO BM				
	VOE 13946173	1.00		VOE 12003793	1.00		VOE 13960148	SS			
	FOR MICHIGAN		VOE 945444	*** USE			FÖR MICHIGAN				
	MI 11702090	1.00		FÖR VOLVO BM			VOE 12000856	1.00			
SA 8230-13070	*** USE			VOE 13945444	1.00	VOE 955894	*** USE				
SA 8230-09940	*** USE			FÖR MICHIGAN			FOR VOLVO BM +				
	SA 8230-09941	1.00		VOE 12000109	1.00		MICHIGAN				
	SA 7273-10630	1.00	VOE 946173	*** USE			VOE 13955894	1.00			
SA 8230-00990	*** USE			FOR VOLVO BM			FOR LIFT TRUCK				
	SA 795930000	1.00		VOE 13946173	1.00		VOE 12003793	1.00			
SA 8230-13440	*** USE			FOR MICHIGAN		VOE 955897	*** USE				

Part No	Group	Sect	Page	Part No	Group	Sect	Page	Part No	Group	Sect	Page	Part No	Group	Sect	Page	Part No	Group	Sect	Page
SA 941501008	371	800	171	SA 1041-00150	911	100	375	SA 1053-00410	716	200	229	SA 1081-00330	775	900	249	SA 1122-01600	371	800	171
SA 941501008	810	600	265	SA 1041-00750	911	100	375	SA 1053-00431	716	100	227	SA 1081-00471	775	800	247	SA 1122-01690	371	800	171
SA 941501008	830	100	293	SA 1042-00820	914	500	457	SA 1055-01342	441	500	207	SA 1081-00604	775	700	245	SA 1122-01750	371	200	161
SA 1012-00160	810	700	269	SA 1042-00830	914	500	457	SA 1055-01530	492	100	215	SA 1081-01051	775	1000	251	SA 1122-01760	371	200	161
SA 1012-00160	821	100	275	SA 1042-01171	431	400	197	SA 1060-67840	843	200	303	SA 1081-01070	775	1000	251	SA 1122-01820	352	100	133
SA 1012-00160	821	200	277	SA 1042-11650	914	500	457	SA 1066-02260	810	700	269	SA 1081-01191	775	1000	251	SA 1122-02150	235	100	87
SA 1012-00160	821	200	279	SA 1042-11650	916	2400	531	SA 1066-02890	881	100	343	SA 1081-03240	775	700	245	SA 1122-02150	924	1000	573
SA 1012-00160	821	400	283	SA 1042-11650	924	1000	573	SA 1066-04930	810	500	263	SA 1082-02330	775	100	239	SA 1122-03610	870	300	329
SA 1012-00160	821	500	285	SA 1042-11981	924	1000	573	SA 1066-05450	810	500	263	SA 1082-02330	775	200	241	SA 1122-03610	874	300	337
SA 1012-00160	827	200	289	SA 1048-00110	371	200	161	SA 1066-09960	841	100	299	SA 1082-02390	775	100	239	SA 1122-03970	362	200	143
SA 1012-00160	860	500	319	SA 1048-00110	870	100	323	SA 1070-61272	925	100	587	SA 1082-02390	775	200	241	SA 1122-04290	234	300	83
SA 1012-00160	891	100	349	SA 1048-00110	874	100	331	SA 1070-61272	925	200	589	SA 1082-02410	775	100	239	SA 1122-04520	362	100	141
SA 1012-01500	431	300	193	SA 1048-00110	914	100	445	SA 1070-61272	925	500	591	SA 1082-02410	775	200	241	SA 1122-04530	362	100	141
SA 1012-01500	911	100	375	SA 1048-00110	914	300	449	SA 1070-61272	925	1500	597	SA 1082-02420	775	100	239	SA 1123-00190	363	200	147
SA 1021-00910	372	200	175	SA 1048-10300	914	300	451	SA 1070-61320	925	500	591	SA 1082-02420	775	200	241	SA 1123-00290	356	300	139
SA 1022-04921	916	300	491	SA 1048-10530	914	100	443	SA 1073-00320	974	100	599	SA 1112-00050	218	100	71	SA 1123-00290	369	100	155
SA 1022-05140	386	100	177	SA 1048-10530	914	200	447	SA 1073-00320	974	1000	603	SA 1112-00060	218	100	71	SA 1123-00290	372	200	175
SA 1023-02350	830	100	293	SA 1048-10530	914	300	449	SA 1073-00320	974	2000	609	SA 1113-01050	256	100	99	SA 1123-00850	367	100	153
SA 1023-04210	371	800	171	SA 1048-10530	916	700	505	SA 1073-00570	974	100	599	SA 1114-00030	252	100	95	SA 1123-01030	330	100	129
SA 1023-05180	362	200	143	SA 1048-10530	916	2400	531	SA 1073-00570	974	1000	603	SA 1114-00250	252	100	95	SA 1123-01900	356	300	139
SA 1025-01520	870	100	323	SA 1048-10540	914	300	449	SA 1073-00570	974	2000	609	SA 1114-00370	252	100	95	SA 1123-01900	369	100	155
SA 1025-01520	874	100	331	SA 1048-10540	914	2200	483	SA 1073-00570	974	2500	613	SA 1116-00220	234	100	81	SA 1123-01900	372	200	175
SA 1025-01530	870	300	329	SA 1048-10540	914	2300	485	SA 1073-00570	975	100	623	SA 1116-00240	330	100	129	SA 1123-01900	870	300	329
SA 1025-01530	874	300	337	SA 1048-10540	916	2600	535	SA 1073-00570	975	200	625	SA 1121-00040	371	100	159	SA 1123-01900	874	300	337
SA 1030-61400	914	500	457	SA 1048-10560	914	500	457	SA 1073-00570	975	300	627	SA 1121-00080	371	100	159	SA 1123-02341	372	200	175
SA 1030-61460	914	500	457	SA 1048-10560	916	2400	531	SA 1073-05290	974	2100	611	SA 1121-00170	371	100	159	SA 1123-02580	387	100	179
SA 1040-65471	916	2400	531	SA 1048-13371	914	400	453	SA 1073-05300	974	2100	611	SA 1121-00331	310	100	125	SA 1123-02820	330	100	129
SA 1040-80490	914	400	453	SA 1050-13840	492	100	215	SA 1074-01420	916	2000	523	SA 1121-00351	310	100	125	SA 1123-02950	330	100	129
SA 1040-80490	916	600	501	SA 1050-14201	492	100	215	SA 1074-01431	916	2000	523	SA 1121-00381	371	100	159	SA 1123-02970	330	100	129
SA 1040-80490	924	100	561	SA 1050-62100	492	100	215	SA 1074-05940	912	2100	427	SA 1122-00220	372	200	175	SA 1123-03010	371	800	171
SA 1040-80490	924	400	567	SA 1050-62110	492	100	215	SA 1074-06390	912	2000	425	SA 1122-00940	371	200	161	SA 1123-03180	364	100	151
SA 1040-80490	924	500	569	SA 1053-00071	716	100	227	SA 1074-07490	916	300	491	SA 1122-01240	352	100	133	SA 1123-03200	364	100	151
SA 1040-84640	924	1000	573	SA 1053-00071	716	200	229	SA 1081-00300	775	800	247	SA 1122-01240	356	100	135	SA 1123-03230	364	100	151
SA 1040-95320	975	2700	653	SA 1053-00361	716	100	227	SA 1081-00300	775	900	249	SA 1122-01240	356	200	137	SA 1123-03240	364	100	151
SA 1041-00140	911	100	375	SA 1053-00410	716	100	227	SA 1081-00300	775	1000	251	SA 1122-01240	356	300	139	SA 1123-03250	362	100	141

NUMERICAL INDEX	부품번호 색인	Catalogue id	Group
		<b>56141</b>	<b>1000</b>
RÉPERTOIRE DE NUMÉROS	INDICE DE NÚMERO	Issue	Page
NUMMERNREGISTER		<b>VOE 7414356141</b>	<b>1</b>

**VOLVO**

**EC210B**

**NUMERICAL INDEX**

부품번호 색인

 Catalogue id  
**56141**

 Group  
**1000**
**RÉPERTOIRE DE NUMÉROS**

INDICE DE NÚMERO

 Issue  
**VOE 7414356141**

 Page  
**2**
**NUMMERNREGISTER**

Part No	Group	Sect	Page	Part No	Group	Sect	Page	Part No	Group	Sect	Page	Part No	Group	Sect	Page	Part No	Group	Sect	Page
SA 1123-03780	393	100	181	SA 1128-00740	234	300	83	SA 1146-00210	974	3000	615	SA 1148-00041	914	300	451	SA 1165-00400	718	700	237
SA 1123-03860	364	100	151	SA 1141-00010	911	100	375	SA 1146-00220	974	3000	615	SA 1148-00041	914	900	467	SA 1166-01930	810	700	269
SA 1123-04080	364	100	151	SA 1141-00030	911	100	375	SA 1146-00220	975	2500	649	SA 1148-00110	914	400	453	SA 1166-02610	841	100	299
SA 1123-04300	393	100	181	SA 1141-00080	911	100	375	SA 1146-00380	975	1500	639	SA 1148-00131	914	300	449	SA 1166-30540	841	100	299
SA 1123-04310	393	100	181	SA 1141-01021	911	100	375	SA 1146-00390	975	1500	639	SA 1148-01220	914	100	443	SA 1166-31040	810	700	269
SA 1123-04320	393	100	181	SA 1141-01720	911	100	375	SA 1146-00390	975	1600	643	SA 1148-01230	914	100	443	SA 1166-31300	810	700	269
SA 1123-04330	393	100	181	SA 1141-02161	911	100	375	SA 1146-00610	975	2500	649	SA 1148-01280	870	100	323	SA 1168-00090	881	100	343
SA 1123-04340	393	100	181	SA 1141-02230	911	100	375	SA 1146-00670	443	200	213	SA 1148-01280	874	100	331	SA 1168-00570	914	700	461
SA 1123-04820	369	100	155	SA 1142-00012	913	100	429	SA 1146-01330	975	2700	653	SA 1148-01280	914	300	449	SA 1168-00580	914	700	461
SA 1123-04850	364	100	151	SA 1142-00012	913	200	431	SA 1146-01410	975	1500	639	SA 1148-01890	914	100	443	SA 1171-00012	925	500	591
SA 1123-05110	356	300	139	SA 1142-00930	441	500	207	SA 1146-01410	975	1600	643	SA 1148-01890	914	1100	469	SA 1171-00031	925	500	591
SA 1123-05180	371	800	171	SA 1142-00930	441	600	209	SA 1146-01480	975	2700	653	SA 1148-01900	914	100	443	SA 1171-00041	925	500	591
SA 1123-05390	393	100	181	SA 1142-01250	911	400	383	SA 1146-02880	975	1500	639	SA 1148-01900	914	1100	469	SA 1171-00071	925	500	591
SA 1125-00650	371	200	161	SA 1142-01260	911	400	383	SA 1146-02880	975	1600	643	SA 1148-02030	914	2200	483	SA 1171-00092	925	500	591
SA 1125-00650	870	100	323	SA 1142-01490	916	1300	517	SA 1146-06540	975	1600	643	SA 1148-02030	916	700	505	SA 1171-00171	925	500	591
SA 1125-00650	874	100	331	SA 1142-01830	911	500	385	SA 1146-06870	974	3000	615	SA 1148-02150	916	700	505	SA 1171-00171	925	1200	595
SA 1125-03040	870	100	323	SA 1142-03110	911	200	379	SA 1146-06870	974	3400	619	SA 1148-30041	914	300	451	SA 1171-00181	925	500	591
SA 1125-03040	874	100	331	SA 1142-03120	911	400	383	SA 1146-06870	975	1500	639	SA 1153-00810	716	100	227	SA 1171-00181	925	1200	595
SA 1127-02020	362	200	143	SA 1142-03130	911	400	383	SA 1146-06870	975	1600	643	SA 1153-00810	716	200	229	SA 1171-00412	925	1200	595
SA 1127-02020	367	100	153	SA 1142-03140	911	400	383	SA 1146-06870	975	2500	649	SA 1153-00820	716	100	227	SA 1171-00470	925	1200	595
SA 1127-02020	914	300	449	SA 1142-03150	911	400	383	SA 1146-06870	975	2700	653	SA 1155-01181	911	200	379	SA 1171-00480	925	1200	595
SA 1127-02030	367	100	153	SA 1142-03161	911	400	383	SA 1146-06880	974	3000	615	SA 1155-01191	911	200	379	SA 1171-00492	925	1200	595
SA 1127-20110	367	100	153	SA 1142-03290	911	500	385	SA 1146-06880	975	2500	649	SA 1161-00071	837	100	295	SA 1171-00502	925	1200	595
SA 1127-30700	367	100	153	SA 1142-03530	911	200	379	SA 1146-06890	975	1500	639	SA 1162-03963	821	300	281	SA 1171-70011	925	1000	593
SA 1127-31020	367	100	153	SA 1142-05510	911	500	385	SA 1146-06890	975	1600	643	SA 1162-04010	821	300	281	SA 1171-70031	925	1000	593
SA 1128-00030	234	300	83	SA 1142-05520	911	500	385	SA 1146-06900	974	3400	619	SA 1162-04900	827	200	289	SA 1171-73012	924	100	561
SA 1128-00060	234	300	83	SA 1142-07900	924	1000	573	SA 1146-06910	975	2700	653	SA 1162-06180	821	400	283	SA 1171-75010	924	100	561
SA 1128-00250	234	300	83	SA 1142-08100	916	600	501	SA 1146-07200	974	3400	619	SA 1162-06200	860	100	311	SA 1171-75021	924	100	561
SA 1128-00310	234	300	83	SA 1142-30640	924	1000	573	SA 1146-07940	975	2700	653	SA 1162-06200	860	200	313	SA 1171-75030	924	100	561
SA 1128-00410	234	300	83	SA 1143-01270	441	100	199	SA 1146-08090	974	3000	615	SA 1162-06230	860	200	313	SA 1171-75040	924	100	563
SA 1128-00510	234	300	83	SA 1143-01270	441	200	201	SA 1146-08090	975	2500	649	SA 1162-08310	821	200	277	SA 1171-75040	925	1000	593
SA 1128-00530	234	300	83	SA 1146-00062	443	200	213	SA 1146-08110	975	1500	639	SA 1164-20021	715	200	225	SA 1171-75110	924	100	561
SA 1128-00550	234	300	83	SA 1146-00062	911	200	379	SA 1146-08110	975	1600	643	SA 1164-20031	715	200	225	SA 1171-75110	925	1000	593
SA 1128-00560	234	300	83	SA 1146-00090	443	200	213	SA 1146-08130	974	3400	619	SA 1165-00381	718	700	237	SA 1171-75120	924	100	561
SA 1128-00570	234	300	83	SA 1146-00101	443	200	213	SA 1146-08170	975	2700	653	SA 1165-00391	718	700	237	SA 1171-75120	925	1000	593

Part No	Group	Sect	Page	Part No	Group	Sect	Page	Part No	Group	Sect	Page	Part No	Group	Sect	Page	Part No	Group	Sect	Page
SA 1171-75210	924	100	563	SA 1172-09260	975	500	629	SA 1174-00112	916	400	495	SA 1174-53450	916	3000	541	SA 1181-00020	775	900	249
SA 1171-75210	925	1000	593	SA 1172-09260	975	600	633	SA 1174-00132	916	1000	513	SA 1174-53450	916	3200	545	SA 1181-00030	775	800	247
SA 1171-75290	924	100	561	SA 1173-00180	974	100	599	SA 1174-50120	916	2000	523	SA 1174-53610	916	2800	539	SA 1181-00042	775	700	245
SA 1171-75330	924	100	563	SA 1173-00180	974	1000	603	SA 1174-50280	912	2000	425	SA 1174-53640	916	2800	539	SA 1181-00050	775	1200	253
SA 1171-75330	925	1000	593	SA 1173-00180	974	2000	609	SA 1174-50290	912	2000	425	SA 1174-53720	916	600	501	SA 1181-00061	775	500	243
SA 1171-75340	924	100	563	SA 1173-00180	974	2500	613	SA 1174-50690	916	600	501	SA 1174-53720	916	7200	555	SA 1181-00090	775	800	247
SA 1171-75340	925	1000	593	SA 1173-00180	975	1900	647	SA 1174-50800	916	400	493	SA 1174-53800	916	500	497	SA 1181-00100	775	800	247
SA 1171-75360	924	100	563	SA 1173-00190	974	100	599	SA 1174-50810	916	400	493	SA 1174-53810	916	500	497	SA 1181-00110	775	800	247
SA 1171-75360	925	1000	593	SA 1173-00190	974	1000	603	SA 1174-50820	916	400	493	SA 1174-53820	916	500	497	SA 1181-00120	775	800	247
SA 1171-80011	925	100	587	SA 1173-00190	974	2000	609	SA 1174-50830	916	400	493	SA 1174-53830	916	500	497	SA 1181-00141	775	700	245
SA 1171-80051	925	100	587	SA 1173-00190	974	2500	613	SA 1174-50840	916	400	493	SA 1174-53840	916	600	501	SA 1181-00163	775	700	245
SA 1171-80091	925	200	589	SA 1173-00190	975	1900	647	SA 1174-50850	916	400	493	SA 1174-53880	916	600	501	SA 1181-00170	775	700	245
SA 1171-89510	925	100	587	SA 1173-00200	974	1000	603	SA 1174-50860	916	400	493	SA 1174-53890	916	500	497	SA 1181-00191	775	900	249
SA 1171-89510	925	200	589	SA 1173-00390	974	100	599	SA 1174-50870	916	1300	517	SA 1174-53930	916	500	497	SA 1181-00200	775	900	249
SA 1171-89510	925	1000	593	SA 1173-00390	974	1000	603	SA 1174-50880	916	1300	517	SA 1174-53940	916	500	497	SA 1181-00230	775	900	249
SA 1171-89520	925	100	587	SA 1173-00390	974	2000	609	SA 1174-50890	916	1300	517	SA 1174-53950	916	2800	539	SA 1181-00240	775	900	249
SA 1171-89520	925	200	589	SA 1173-00390	974	2500	613	SA 1174-51182	916	600	501	SA 1174-53960	916	2800	539	SA 1181-00262	775	700	245
SA 1171-89520	925	1000	593	SA 1173-00590	975	300	627	SA 1174-51182	916	1200	515	SA 1174-53970	916	2800	539	SA 1181-00280	775	1000	251
SA 1171-89530	925	100	587	SA 1173-00600	975	300	627	SA 1174-51182	916	1500	521	SA 1174-53980	916	2800	539	SA 1181-00290	775	1000	251
SA 1171-89530	925	200	589	SA 1173-00610	975	1900	647	SA 1174-52290	916	300	491	SA 1174-54010	916	2800	539	SA 1181-00350	775	900	249
SA 1171-89530	925	1000	593	SA 1173-00620	975	1900	647	SA 1174-53020	916	2000	523	SA 1174-54180	916	2800	539	SA 1181-00931	775	700	245
SA 1171-90620	924	100	561	SA 1173-01210	975	100	623	SA 1174-53030	916	2000	523	SA 1174-54580	916	2100	525	SA 1181-01050	775	700	245
SA 1171-90620	924	3000	583	SA 1173-01210	975	200	625	SA 1174-53040	916	2000	523	SA 1174-55840	916	4000	547	SA 1181-01300	775	700	245
SA 1172-00251	925	100	587	SA 1173-01330	975	100	623	SA 1174-53050	916	2000	523	SA 1174-56331	916	4000	547	SA 1182-00011	775	100	239
SA 1172-00251	925	200	589	SA 1173-01330	975	200	625	SA 1174-53091	916	2100	525	SA 1174-56341	916	4000	547	SA 1182-00020	775	100	239
SA 1172-00251	925	500	591	SA 1173-01330	975	300	627	SA 1174-53140	916	4000	547	SA 1174-56860	916	600	501	SA 1182-00020	775	200	241
SA 1172-00261	925	100	587	SA 1173-03340	974	1300	607	SA 1174-53151	924	1600	579	SA 1174-56960	916	100	487	SA 1182-00030	775	100	239
SA 1172-00261	925	200	589	SA 1173-03350	974	1300	607	SA 1174-53170	916	4000	547	SA 1174-56970	916	100	487	SA 1182-00030	775	200	241
SA 1172-00261	925	500	591	SA 1174-00032	916	900	511	SA 1174-53190	916	2100	525	SA 1174-56980	916	100	487	SA 1182-00050	775	100	239
SA 1172-01031	975	1900	647	SA 1174-00042	916	900	511	SA 1174-53330	924	400	567	SA 1174-56990	916	100	487	SA 1182-00050	775	200	241
SA 1172-01041	975	1900	647	SA 1174-00072	916	100	487	SA 1174-53330	924	500	569	SA 1174-57730	916	2100	525	SA 1182-00061	775	100	239
SA 1172-01071	925	1200	595	SA 1174-00082	916	100	487	SA 1174-53360	924	700	571	SA 1174-57740	916	2100	525	SA 1182-00061	775	200	241
SA 1172-01081	925	1200	595	SA 1174-00092	916	400	493	SA 1174-53360	924	1600	579	SA 1174-58220	924	700	571	SA 1182-00070	775	100	239
SA 1172-03420	925	1200	595	SA 1174-00102	916	400	493	SA 1174-53450	916	1200	515	SA 1174-58220	924	1600	579	SA 1182-00070	775	200	241
SA 1172-03420	925	1500	597	SA 1174-00112	916	100	487	SA 1174-53450	916	1500	521	SA 1181-00010	775	1000	251	SA 1182-00100	775	100	239

NUMERICAL INDEX

RÉPERTOIRE DE NUMÉROS

NUMMERNREGISTER

부품번호 색인

INDICE DE NÚMERO

Catalogue id

56141

Group

1000

Issue

VOE 7414356141

Page

3

**VOLVO**

**EC210B**

NUMERICAL INDEX				부품번호 색인												Catalogue id		Group	
RÉPERTOIRE DE NUMÉROS				INDICE DE NÚMERO												56141		1000	
NUMMERNREGISTER																Issue		Page	
																VOE 7414356141		4	
Part No	Group	Sect	Page	Part No	Group	Sect	Page	Part No	Group	Sect	Page	Part No	Group	Sect	Page	Part No	Group	Sect	Page
SA 1182-00100	775	200	241	SA 2021-00680	371	100	159	SA 4523-10320	234	300	83	SA 7118-30380	431	300	193	SA 7272-03121	912	300	397
SA 1182-00110	775	100	239	SA 2022-00200	386	100	177	SA 7117-15230	431	100	191	SA 7118-30390	431	300	193	SA 7273-01622	912	200	393
SA 1182-00110	775	200	241	SA 2022-01280	234	300	85	SA 7117-30030	441	100	199	SA 7118-30400	431	300	193	SA 7273-10010	912	200	393
SA 1182-00330	775	100	239	SA 2022-01840	870	100	323	SA 7117-30100	431	100	189	SA 7118-30430	431	300	193	SA 7273-10020	912	300	399
SA 1182-00330	775	200	241	SA 2022-01840	874	100	331	SA 7117-30110	431	100	189	SA 7118-30440	431	300	193	SA 7273-10020	912	400	401
SA 1182-00350	775	100	239	SA 2022-02350	369	300	157	SA 7117-30120	431	100	189	SA 7118-30450	431	300	193	SA 7273-10070	912	500	405
SA 1182-00350	775	200	241	SA 2022-02350	371	200	161	SA 7117-30130	431	100	189	SA 7118-30460	431	300	193	SA 7273-10100	912	300	397
SA 1182-00421	775	200	241	SA 2022-02350	371	500	169	SA 7117-30140	431	100	189	SA 7118-30480	431	300	193	SA 7273-10100	912	500	407
SA 1192-00530	897	100	357	SA 2022-02350	386	100	177	SA 7117-30150	431	100	189	SA 7118-30490	431	300	193	SA 7273-10110	912	300	397
SA 1192-01640	897	100	357	SA 2022-03510	363	200	147	SA 7117-30160	431	100	189	SA 7210-00940	924	1000	573	SA 7273-10110	912	500	405
SA 1192-01650	897	100	357	SA 2022-04750	386	100	177	SA 7117-30170	431	100	189	SA 7210-00940	924	2000	581	SA 7273-10110	912	500	407
SA 1192-02820	897	100	357	SA 2022-05150	234	300	83	SA 7117-30180	431	100	189	SA 7218-00530	924	2000	581	SA 7273-10120	912	200	393
SA 1192-02830	897	100	357	SA 2023-02540	371	800	171	SA 7117-30190	431	100	189	SA 7223-00450	913	200	431	SA 7273-10140	912	200	393
SA 1192-02890	924	100	561	SA 2023-03240	387	100	179	SA 7117-30200	431	100	189	SA 7223-00460	913	200	431	SA 7273-10180	912	300	399
SA 1192-02910	897	200	359	SA 2025-03460	371	100	159	SA 7117-30220	431	100	189	SA 7223-00660	441	600	209	SA 7273-10180	912	400	401
SA 1192-03590	897	100	357	SA 2025-03840	371	400	167	SA 7117-30230	431	100	189	SA 7223-00660	913	200	435	SA 7273-10192	912	300	399
SA 1192-03620	897	100	357	SA 2043-00120	916	1200	515	SA 7117-30250	431	100	189	SA 7242-11040	913	200	433	SA 7273-10200	912	200	393
SA 1192-03630	897	200	359	SA 2043-00120	916	1500	521	SA 7117-30260	431	100	189	SA 7242-11040	913	300	437	SA 7273-10290	912	300	399
SA 1192-03700	897	100	357	SA 2043-00120	916	2400	531	SA 7117-30260	431	100	191	SA 7242-11040	914	800	463	SA 7273-10290	912	500	405
SA 1192-03730	897	100	357	SA 2043-00120	924	100	561	SA 7117-30270	431	100	189	SA 7270-11000	912	500	405	SA 7273-10310	912	300	399
SA 1192-03740	897	200	359	SA 2043-00120	924	400	567	SA 7117-30290	431	100	189	SA 7270-11040	912	300	397	SA 7273-10320	912	300	399
SA 1192-03750	897	100	357	SA 2043-00120	924	500	569	SA 7117-30300	431	100	189	SA 7270-11040	912	500	405	SA 7273-10320	912	500	405
SA 1192-03760	897	200	359	SA 2043-00120	924	1100	575	SA 7117-30310	431	100	189	SA 7270-11050	912	200	393	SA 7273-10330	912	500	405
SA 1192-03820	897	100	357	SA 2043-00120	924	1200	577	SA 7117-30320	431	100	189	SA 7270-11070	912	500	407	SA 7273-10340	912	200	393
SA 1192-03840	974	1300	607	SA 2051-01950	837	200	297	SA 7117-30330	431	100	191	SA 7270-11080	912	300	397	SA 7273-10350	912	300	397
SA 1192-04690	897	100	357	SA 2051-01950	860	100	311	SA 7117-30350	431	100	191	SA 7270-11101	912	300	397	SA 7273-10350	912	500	405
SA 1192-04700	911	100	377	SA 2051-01950	860	200	313	SA 7117-30360	431	100	189	SA 7270-11101	912	500	405	SA 7273-10360	912	300	399
SA 1192-04710	911	100	377	SA 2051-01950	860	300	315	SA 7117-30370	431	100	191	SA 7270-11161	912	400	401	SA 7273-10360	912	400	401
SA 1192-04880	911	100	377	SA 2066-04100	371	200	161	SA 7118-00040	431	300	193	SA 7270-11210	916	2600	535	SA 7273-10380	912	200	393
SA 1192-05050	897	100	357	SA 2066-07670	810	700	269	SA 7118-01740	431	300	193	SA 7270-11220	916	2600	535	SA 7273-10390	912	300	399
SA 1192-05070	897	100	357	SA 2066-08311	810	700	269	SA 7118-30200	431	300	193	SA 7270-30160	912	300	397	SA 7273-10390	912	400	401
SA 1192-05180	897	200	359	SA 2067-00100	852	100	307	SA 7118-30230	431	300	193	SA 7270-30160	912	400	401	SA 7273-10410	912	400	401
SA 1192-30720	897	200	359	SA 2368943	841	100	299	SA 7118-30260	431	300	193	SA 7270-30160	912	500	405	SA 7273-10420	912	500	407
SA 2012-00110	218	100	71	SA 3015-00710	821	300	281	SA 7118-30300	431	300	193	SA 7272-03100	912	300	399	SA 7273-10430	912	300	397
SA 2015-00370	261	100	103	SA 3032-00370	916	600	501	SA 7118-30370	431	300	193	SA 7272-03100	912	500	405	SA 7273-10460	912	300	399

Part No	Group	Sect	Page	Part No	Group	Sect	Page	Part No	Group	Sect	Page	Part No	Group	Sect	Page	Part No	Group	Sect	Page
SA 7273-10460	912	400	401	SA 8148-13070	912	800	419	SA 8230-08980	913	200	433	SA 8230-11060	912	800	417	SA 8230-12020	912	600	409
SA 7273-10470	912	300	399	SA 8148-13070	912	900	423	SA 8230-09020	913	200	431	SA 8230-11070	912	800	417	SA 8230-12030	912	700	413
SA 7273-10470	912	400	401	SA 8148-13080	913	200	435	SA 8230-09070	913	200	431	SA 8230-11080	912	800	417	SA 8230-12030	912	800	417
SA 7273-10480	912	300	397	SA 8148-13080	913	300	439	SA 8230-09100	913	200	431	SA 8230-11100	912	900	421	SA 8230-12050	912	800	417
SA 7273-10480	912	500	405	SA 8210-06281	441	600	211	SA 8230-09160	913	100	429	SA 8230-11190	912	800	417	SA 8230-12060	912	800	417
SA 7273-10500	912	200	393	SA 8220-13340	441	200	203	SA 8230-09160	913	300	437	SA 8230-11200	912	700	413	SA 8230-12070	912	900	421
SA 7273-10540	912	300	397	SA 8220-14920	441	200	203	SA 8230-09250	913	200	433	SA 8230-11200	912	900	421	SA 8230-12080	912	700	413
SA 7273-10550	912	200	393	SA 8220-14930	441	200	203	SA 8230-09350	913	200	433	SA 8230-11210	912	700	413	SA 8230-12090	912	800	417
SA 7273-10560	912	200	393	SA 8230-00210	916	7200	555	SA 8230-09370	913	200	431	SA 8230-11210	912	900	421	SA 8230-12100	912	800	417
SA 7273-10570	912	300	399	SA 8230-00400	916	7200	555	SA 8230-09640	913	200	433	SA 8230-11210	916	7200	555	SA 8230-12250	912	700	413
SA 7273-10570	912	400	401	SA 8230-00990	775	700	245	SA 8230-09650	913	200	433	SA 8230-11220	912	600	409	SA 8230-12250	912	800	417
SA 7273-10611	912	300	399	SA 8230-01150	916	7200	557	SA 8230-09660	913	200	431	SA 8230-11230	912	800	417	SA 8230-12270	912	700	413
SA 7273-10611	912	500	405	SA 8230-01160	912	600	409	SA 8230-09670	913	200	433	SA 8230-11240	912	600	409	SA 8230-12270	912	800	417
SA 7273-10640	912	300	399	SA 8230-01160	912	700	413	SA 8230-09680	913	200	431	SA 8230-11300	916	7200	555	SA 8230-12300	912	600	409
SA 7273-10640	912	400	401	SA 8230-01160	912	800	419	SA 8230-09690	913	200	433	SA 8230-11310	912	900	421	SA 8230-12500	912	700	413
SA 7273-10651	912	300	399	SA 8230-01160	912	900	421	SA 8230-09700	913	200	435	SA 8230-11320	912	800	417	SA 8230-12500	912	900	421
SA 7273-10661	912	500	407	SA 8230-02350	912	600	409	SA 8230-09710	913	200	433	SA 8230-11330	912	700	413	SA 8230-12570	912	700	413
SA 7273-10690	912	300	397	SA 8230-02710	441	200	203	SA 8230-09790	913	200	433	SA 8230-11330	912	800	417	SA 8230-12570	912	800	417
SA 7273-10730	912	500	407	SA 8230-02760	441	200	203	SA 8230-09800	913	200	431	SA 8230-11350	912	600	409	SA 8230-12570	912	900	421
SA 7273-10740	912	300	399	SA 8230-02880	912	700	415	SA 8230-09940	913	400	441	SA 8230-11380	912	700	413	SA 8230-12660	912	800	419
SA 7273-10740	912	400	401	SA 8230-02880	912	900	423	SA 8230-09950	913	400	441	SA 8230-11450	912	800	417	SA 8230-12780	912	800	419
SA 7273-10751	912	200	393	SA 8230-02880	916	7200	555	SA 8230-10360	912	700	413	SA 8230-11470	912	800	417	SA 8230-12810	912	600	409
SA 7273-10751	912	300	399	SA 8230-03560	441	200	201	SA 8230-10360	912	900	421	SA 8230-11690	916	7200	555	SA 8230-12830	912	800	419
SA 7273-10751	912	500	407	SA 8230-03590	441	200	203	SA 8230-10360	916	7200	555	SA 8230-11780	912	700	413	SA 8230-12920	912	700	415
SA 7273-10780	912	800	417	SA 8230-03600	441	200	203	SA 8230-10460	916	7200	555	SA 8230-11780	912	900	421	SA 8230-12930	912	600	409
SA 7273-10790	912	300	397	SA 8230-03610	441	200	203	SA 8230-10500	912	600	409	SA 8230-11790	912	700	413	SA 8230-12940	912	600	409
SA 7273-10790	912	500	405	SA 8230-03640	912	700	413	SA 8230-10540	912	900	421	SA 8230-11790	912	900	423	SA 8230-12950	912	700	415
SA 7273-10930	912	200	395	SA 8230-08630	441	200	203	SA 8230-10560	912	700	413	SA 8230-11810	912	700	413	SA 8230-12950	912	800	419
SA 8038-00010	775	700	245	SA 8230-08770	913	400	441	SA 8230-10560	912	800	417	SA 8230-11870	912	700	413	SA 8230-12960	912	800	419
SA 8038-00030	775	1000	251	SA 8230-08800	913	100	429	SA 8230-10590	912	900	423	SA 8230-11870	912	900	421	SA 8230-12960	916	7200	555
SA 8048-01070	913	400	441	SA 8230-08800	913	400	441	SA 8230-10600	912	900	421	SA 8230-11880	912	900	421	SA 8230-13030	912	900	421
SA 8130-00630	916	7000	551	SA 8230-08871	913	400	441	SA 8230-10690	912	700	413	SA 8230-11890	912	700	413	SA 8230-13070	912	800	417
SA 8130-00630	916	7100	553	SA 8230-08880	913	400	441	SA 8230-10730	912	900	421	SA 8230-11890	912	900	421	SA 8230-13080	912	700	415
SA 8148-13070	912	600	411	SA 8230-08930	913	200	433	SA 8230-10740	912	700	413	SA 8230-11940	912	700	413	SA 8230-13080	912	800	417
SA 8148-13070	912	700	415	SA 8230-08940	913	200	433	SA 8230-10750	912	800	417	SA 8230-11940	912	800	417	SA 8230-13150	912	700	413

NUMERICAL INDEX	부품번호 색인	Catalogue id	Group
		<b>56141</b>	<b>1000</b>
RÉPERTOIRE DE NUMÉROS	INDICE DE NÚMERO	Issue	Page
		<b>VOE 7414356141</b>	<b>5</b>
NUMMERNREGISTER			

**VOLVO**

**EC210B**





Part No	Group	Sect	Page	Part No	Group	Sect	Page	Part No	Group	Sect	Page	Part No	Group	Sect	Page	Part No	Group	Sect	Page
SA 8230-28590	913	200	431	SA 8230-37060	914	1200	473	SA 9011-10802	974	1300	607	SA 9011-20609	235	100	87	SA 9012-53021	925	500	591
SA 8230-28800	914	1100	469	SA 8230-37060	914	1300	477	SA 9011-10802	974	2100	611	SA 9011-21030	310	100	125	SA 9012-53021	925	1200	595
SA 8230-28800	914	1200	473	SA 8230-37080	914	1100	471	SA 9011-10802	975	500	629	SA 9011-21211	827	200	289	SA 9016-10503	364	100	151
SA 8230-28800	914	1300	477	SA 8230-37090	914	1100	469	SA 9011-10802	975	600	633	SA 9011-21212	821	200	279	SA 9016-10804	913	200	433
SA 8230-30410	441	200	203	SA 8230-37100	914	1100	469	SA 9011-10807	821	200	277	SA 9011-21214	821	200	279	SA 9016-10804	913	400	441
SA 8230-32090	914	1100	471	SA 8230-37100	914	1200	473	SA 9011-10807	924	100	561	SA 9011-21215	911	500	385	SA 9016-10804	914	800	465
SA 8230-32100	914	1100	471	SA 8230-37100	914	1300	477	SA 9011-11007	431	300	193	SA 9011-21215	916	2200	527	SA 9016-11003	914	700	461
SA 8230-32140	441	600	209	SA 8230-37110	914	1100	471	SA 9011-11007	911	600	389	SA 9011-21215	974	2100	611	SA 9016-11003	914	2200	483
SA 8230-32870	912	900	423	SA 8230-37120	914	1100	469	SA 9011-11203	891	100	349	SA 9011-21216	916	600	501	SA 9016-11003	916	700	505
SA 8230-33140	441	200	201	SA 8230-37120	914	1200	473	SA 9011-11204	821	300	281	SA 9011-21414	916	900	511	SA 9016-11005	841	100	299
SA 8230-35500	441	600	209	SA 8230-37120	914	1300	477	SA 9011-11205	821	500	285	SA 9011-21611	441	100	199	SA 9016-11005	912	200	393
SA 8230-35870	916	7200	555	SA 8230-37140	914	1100	469	SA 9011-11207	916	2200	527	SA 9011-21613	916	100	487	SA 9016-11005	912	300	399
SA 8230-35950	916	7200	555	SA 8230-37140	914	1200	473	SA 9011-11209	821	400	283	SA 9011-21613	916	400	493	SA 9016-11005	912	400	401
SA 8230-35970	916	7200	557	SA 8230-37140	914	1300	477	SA 9011-11606	974	100	599	SA 9011-21613	916	500	497	SA 9016-11005	912	600	409
SA 8230-36080	916	7200	557	SA 8230-37150	914	1100	469	SA 9011-11606	974	1000	603	SA 9011-21613	916	600	503	SA 9016-11005	912	700	415
SA 8230-36320	914	1100	471	SA 8230-37150	914	1200	473	SA 9011-11606	974	2000	609	SA 9011-21613	916	1300	517	SA 9016-11005	912	800	419
SA 8230-36640	914	1100	469	SA 8230-37150	914	1300	477	SA 9011-11606	974	2500	613	SA 9011-21613	916	2000	523	SA 9016-11007	912	200	393
SA 8230-36650	914	1100	469	SA 8240-00490	330	100	129	SA 9011-11606	975	100	623	SA 9011-21623	924	100	561	SA 9016-11206	441	500	207
SA 8230-36650	914	1200	473	SA 8240-00500	371	100	159	SA 9011-11606	975	200	625	SA 9011-21623	925	100	587	SA 9016-11206	912	200	393
SA 8230-36650	914	1300	477	SA 8240-03170	441	200	205	SA 9011-11606	975	300	627	SA 9011-21623	925	200	589	SA 9016-11206	912	600	409
SA 8230-36750	914	1100	469	SA 8240-03280	441	600	211	SA 9011-11609	775	500	243	SA 9011-21623	925	500	591	SA 9016-11207	911	500	385
SA 8230-36760	914	1100	469	SA 8240-03310	914	800	463	SA 9011-11609	810	100	261	SA 9011-21623	925	1500	597	SA 9016-11207	911	600	389
SA 8230-36770	914	1100	469	SA 8240-03310	916	7000	551	SA 9011-11614	925	100	587	SA 9011-21623	975	100	623	SA 9016-20511	912	200	393
SA 8230-36770	914	1200	473	SA 8240-03310	916	7100	553	SA 9011-11614	925	200	589	SA 9011-21623	975	200	625	SA 9016-20511	912	600	409
SA 8230-36770	914	1300	477	SA 8240-03610	441	600	211	SA 9011-11614	925	500	591	SA 9011-21623	975	1900	647	SA 9016-20811	912	500	407
SA 8230-36780	914	1100	469	SA 8240-03680	913	300	439	SA 9011-12008	974	100	599	SA 9011-21626	974	100	599	SA 9016-21009	916	1300	517
SA 8230-36840	914	1100	471	SA 8240-03730	914	800	463	SA 9011-12008	974	1000	603	SA 9011-21626	974	1000	603	SA 9016-21011	911	600	389
SA 8230-36840	914	1200	475	SA 8240-03730	916	7000	551	SA 9011-12008	974	2000	609	SA 9011-21626	974	2000	609	SA 9016-21011	912	2000	425
SA 8230-36840	914	1300	479	SA 8240-03730	916	7100	553	SA 9011-12008	974	2500	613	SA 9011-22020	492	100	215	SA 9016-21013	916	2100	525
SA 8230-36920	914	1100	469	SA 8240-04510	913	300	439	SA 9011-12009	234	100	81	SA 9011-22020	775	900	249	SA 9016-21013	924	1000	573
SA 8230-36920	914	1200	473	SA 8250-00180	775	900	249	SA 9011-12009	911	100	377	SA 9011-22220	218	100	71	SA 9016-21020	912	500	405
SA 8230-36920	914	1300	477	SA 9011-10602	924	3000	583	SA 9011-12406	716	200	229	SA 9011-22226	911	200	379	SA 9016-21020	912	900	423
SA 8230-36940	914	1100	469	SA 9011-10802	810	600	265	SA 9011-12413	924	100	563	SA 9011-23028	716	200	229	SA 9016-21211	916	600	501
SA 8230-37030	916	7200	555	SA 9011-10802	974	300	601	SA 9011-12413	925	1000	593	SA 9012-52511	775	200	241	SA 9016-21217	912	2100	427
SA 8230-37060	914	1100	469	SA 9011-10802	974	1200	605	SA 9011-20606	830	100	291	SA 9012-52514	775	100	239	SA 9016-21217	916	600	501

NUMERICAL INDEX	부품번호 색인	Catalogue id	Group
		<b>56141</b>	<b>1000</b>
RÉPERTOIRE DE NUMÉROS	INDICE DE NÚMERO	Issue	Page
NUMMERNREGISTER		VOE 7414356141	<b>7</b>

**VOLVO**

**EC210B**

NUMERICAL INDEX				부품번호 색인				Catalogue id				Group			
RÉPERTOIRE DE NUMÉROS				INDICE DE NÚMERO				56141				1000			
NUMMERNREGISTER								Issue				Page			
								VOE 7414356141				8			
Part No	Group	Sect	Page	Part No	Group	Sect	Page	Part No	Group	Sect	Page	Part No	Group	Sect	Page
SA 9016-21419	912	200	393	SA 9111-10400	371	400	167	SA 9211-04000	393	100	181	SA 9211-10000	916	900	511
SA 9016-21419	912	600	409	SA 9111-10500	371	400	167	SA 9211-04000	810	700	269	SA 9211-10000	916	1000	513
SA 9016-21625	431	300	193	SA 9111-12000	913	200	433	SA 9211-04000	843	200	303	SA 9211-10000	916	1200	515
SA 9016-22212	975	1600	643	SA 9111-12200	218	100	71	SA 9211-05000	821	200	277	SA 9211-10000	916	1300	517
SA 9021-10302	367	100	153	SA 9111-12200	911	200	379	SA 9211-05000	827	200	289	SA 9211-10000	916	1500	521
SA 9021-10401	843	200	303	SA 9111-31000	916	600	501	SA 9211-06000	261	300	107	SA 9211-10000	916	3000	541
SA 9021-10402	387	100	179	SA 9111-31000	916	1200	515	SA 9211-08000	256	100	99	SA 9211-10000	916	3200	545
SA 9021-10402	810	700	269	SA 9111-31000	916	1500	521	SA 9211-08000	258	200	101	SA 9211-10000	916	4000	547
SA 9021-10402	860	400	317	SA 9112-12501	775	100	239	SA 9211-08000	261	100	103	SA 9211-10000	924	100	561
SA 9021-10403	393	100	181	SA 9112-12501	775	200	241	SA 9211-08000	261	300	105	SA 9211-10000	924	400	567
SA 9021-10405	363	300	149	SA 9112-13001	925	500	591	SA 9211-08000	821	200	277	SA 9211-10000	924	500	569
SA 9021-10405	371	800	171	SA 9112-13001	925	1200	595	SA 9211-08000	821	300	281	SA 9211-10000	924	700	571
SA 9021-10405	716	100	227	SA 9113-10800	913	300	439	SA 9211-08000	827	200	289	SA 9211-10000	924	1100	575
SA 9021-10405	716	200	229	SA 9114-10800	912	300	397	SA 9211-08000	914	300	451	SA 9211-10000	924	1200	577
SA 9021-10804	810	600	265	SA 9114-10800	912	700	415	SA 9211-08000	914	700	461	SA 9211-12000	261	100	103
SA 9021-10804	830	100	291	SA 9118-10500	810	700	269	SA 9211-08000	974	300	601	SA 9211-12000	261	300	107
SA 9023-11004	431	100	191	SA 9118-10500	843	200	303	SA 9211-08000	974	1200	605	SA 9211-12000	821	200	279
SA 9025-04002	367	100	153	SA 9118-10800	830	100	291	SA 9211-08000	974	1300	607	SA 9211-12000	916	2100	525
SA 9025-04003	371	800	171	SA 9131-10500	821	200	277	SA 9211-08000	974	2100	611	SA 9211-12000	916	2600	537
SA 9025-04003	870	200	327	SA 9131-10500	827	200	289	SA 9211-08000	975	500	629	SA 9211-12000	924	1000	573
SA 9025-04003	874	200	335	SA 9131-10600	881	100	343	SA 9211-08000	975	600	633	SA 9211-14000	916	900	511
SA 9025-05002	870	200	327	SA 9131-10800	821	200	277	SA 9211-10000	234	100	81	SA 9211-16000	441	100	199
SA 9025-05002	874	200	335	SA 9131-10800	827	200	289	SA 9211-10000	252	100	95	SA 9211-16000	715	100	223
SA 9027-10401	393	100	181	SA 9131-10800	860	100	311	SA 9211-10000	256	100	99	SA 9211-16000	715	200	225
SA 9027-10403	810	600	265	SA 9131-10800	860	200	313	SA 9211-10000	258	200	101	SA 9211-16000	718	700	237
SA 9027-20605	810	700	269	SA 9131-10800	881	100	343	SA 9211-10000	261	300	107	SA 9211-16000	775	500	243
SA 9031-11200	912	100	391	SA 9131-11000	821	200	277	SA 9211-10000	821	200	277	SA 9211-16000	775	1000	251
SA 9031-11200	912	200	393	SA 9131-11000	860	100	311	SA 9211-10000	827	100	287	SA 9211-16000	775	1200	253
SA 9031-11200	912	600	409	SA 9131-11000	860	600	321	SA 9211-10000	827	200	289	SA 9211-16000	911	200	379
SA 9035-10602	261	300	107	SA 9131-11000	992	100	657	SA 9211-10000	911	100	375	SA 9211-16000	911	500	385
SA 9037-10603	369	100	155	SA 9131-11200	821	200	279	SA 9211-10000	912	300	397	SA 9211-16000	925	100	587
SA 9037-10603	372	200	175	SA 9211-04000	363	300	149	SA 9211-10000	916	100	487	SA 9211-16000	925	200	589
SA 9041-10803	372	200	175	SA 9211-04000	371	400	167	SA 9211-10000	916	400	493	SA 9211-16000	925	500	591
SA 9041-11204	371	400	167	SA 9211-04000	371	800	171	SA 9211-10000	916	500	497	SA 9211-16000	925	1200	595
SA 9042-10503	371	800	171	SA 9211-04000	387	100	179	SA 9211-10000	916	600	501	SA 9211-20000	234	100	81
												SA 9211-20000	441	500	207
												SA 9211-20000	492	100	215
												SA 9211-20000	775	900	249
												SA 9211-20000	911	100	375
												SA 9211-20000	913	100	429
												SA 9211-22000	218	100	71
												SA 9211-30000	716	200	229
												SA 9213-03000	367	100	153
												SA 9213-04000	393	100	181
												SA 9213-10000	841	100	299
												SA 9213-12000	821	100	275
												SA 9213-14000	912	200	393
												SA 9213-18000	925	500	591
												SA 9213-20000	234	100	81
												SA 9213-20000	911	100	375
												SA 9213-20000	974	100	599
												SA 9213-20000	974	1000	603
												SA 9213-20000	974	2000	609
												SA 9213-20000	974	2500	613
												SA 9216-04510	975	2700	653
												SA 9216-06520	974	3000	615
												SA 9216-06520	975	2500	649
												SA 9216-07010	974	3400	619
												SA 9216-07010	975	1500	639
												SA 9216-07010	975	1600	643
												SA 9217-40600	810	700	269
												SA 9217-40800	810	700	269
												SA 9285-11000	881	100	343
												SA 9285-15000	860	600	321
												SA 9285-15000	881	100	343
												SA 9285-16000	870	200	327
												SA 9285-16000	874	200	335
												SA 9285-16000	881	100	343
												SA 9285-16000	911	400	383
												SA 9285-16000	916	2300	529

Part No	Group	Sect	Page	Part No	Group	Sect	Page	Part No	Group	Sect	Page	Part No	Group	Sect	Page	Part No	Group	Sect	Page
SA 9285-17000	860	600	321	SA 9314-02300	924	1200	577	SA 9349-00160	974	300	601	SA 9401-05617	916	100	487	SA 9411-90250	914	300	451
SA 9299-00080	974	100	599	SA 9314-02300	924	1600	579	SA 9349-00160	974	2100	611	SA 9401-05617	916	400	493	SA 9411-90410	916	800	509
SA 9299-00080	974	1000	603	SA 9315-00801	975	500	629	SA 9372-11840	924	700	571	SA 9401-05623	911	200	379	SA 9411-90410	916	1400	519
SA 9299-00080	974	2000	609	SA 9315-00801	975	600	633	SA 9372-11840	924	1600	579	SA 9401-05624	911	200	379	SA 9411-90410	916	2100	525
SA 9299-00080	974	2500	613	SA 9315-01002	492	100	215	SA 9372-12860	916	500	497	SA 9401-05629	916	100	487	SA 9411-90410	916	2400	531
SA 9312-00004	261	100	103	SA 9315-01002	974	300	601	SA 9372-12860	916	600	501	SA 9401-05629	916	400	493	SA 9411-90430	916	300	491
SA 9312-00004	363	200	147	SA 9315-01002	974	1200	605	SA 9372-22860	916	500	497	SA 9401-05629	916	500	497	SA 9411-90490	914	300	449
SA 9312-00005	235	100	87	SA 9315-01002	974	1300	607	SA 9372-32850	916	100	487	SA 9401-06629	916	100	487	SA 9411-90490	914	2300	485
SA 9312-00005	261	300	105	SA 9315-01002	974	2100	611	SA 9372-32850	916	400	493	SA 9401-06629	916	400	493	SA 9411-90490	924	200	565
SA 9312-00005	261	400	109	SA 9315-01601	261	300	105	SA 9372-32850	916	500	497	SA 9401-06629	916	500	497	SA 9411-90870	914	500	457
SA 9312-00006	234	100	81	SA 9315-01801	235	100	87	SA 9372-33460	916	2100	525	SA 9401-15617	916	1300	517	SA 9411-91000	916	3100	543
SA 9312-10175	261	100	103	SA 9315-01801	261	300	107	SA 9372-42835	911	600	389	SA 9401-15619	916	4000	547	SA 9411-91310	914	2200	483
SA 9312-10300	261	100	103	SA 9315-01801	261	400	109	SA 9372-42835	916	100	487	SA 9401-15621	916	900	511	SA 9411-91310	914	2300	485
SA 9312-10350	371	800	173	SA 9316-00801	974	1200	605	SA 9372-42835	916	400	493	SA 9401-15626	916	4000	547	SA 9411-91310	916	1200	515
SA 9312-10350	870	200	327	SA 9316-00801	974	1300	607	SA 9372-42835	916	500	497	SA 9401-15630	916	1000	513	SA 9411-91310	916	1500	521
SA 9312-10350	874	200	335	SA 9316-00801	975	500	629	SA 9372-42835	916	1000	513	SA 9401-15630	916	1300	517	SA 9411-91920	916	2200	527
SA 9312-10450	911	600	389	SA 9316-00801	975	600	633	SA 9372-42835	916	1300	517	SA 9401-15630	916	4000	547	SA 9411-91950	914	2100	481
SA 9312-10600	911	200	379	SA 9316-01601	261	400	109	SA 9372-44342	911	500	385	SA 9401-16633	916	2100	525	SA 9411-92010	916	300	491
SA 9313-10300	258	200	101	SA 9316-02201	235	100	87	SA 9372-52870	916	100	487	SA 9402-05640	911	300	381	SA 9411-92180	911	300	381
SA 9313-10300	261	300	107	SA 9316-11002	974	300	601	SA 9372-52870	916	400	493	SA 9402-05642	911	300	381	SA 9411-92180	914	400	453
SA 9313-10425	256	100	99	SA 9316-11002	974	1300	607	SA 9372-52870	916	900	511	SA 9402-06632	916	2000	523	SA 9411-92180	916	700	505
SA 9313-10475	256	100	99	SA 9316-11002	974	2100	611	SA 9372-52870	916	1300	517	SA 9402-06632	916	2800	539	SA 9411-92190	916	700	505
SA 9314-02100	356	300	139	SA 9321-20608	810	700	271	SA 9372-62870	916	100	487	SA 9403-05616	916	2600	535	SA 9411-92200	911	300	381
SA 9314-02100	363	300	149	SA 9323-01408	810	700	271	SA 9372-62870	916	400	493	SA 9403-05623	911	200	379	SA 9411-92200	914	500	457
SA 9314-02300	916	300	491	SA 9323-01810	860	200	313	SA 9372-62870	916	2000	523	SA 9403-06615	916	2200	527	SA 9411-92321	914	300	449
SA 9314-02300	916	600	503	SA 9323-02920	821	200	277	SA 9381-15500	870	100	323	SA 9403-06626	916	2200	527	SA 9411-92350	914	300	449
SA 9314-02300	916	1200	515	SA 9323-02920	821	400	283	SA 9381-15500	874	100	331	SA 9403-15626	916	1000	513	SA 9411-92350	916	700	505
SA 9314-02300	916	1500	521	SA 9323-05922	924	100	561	SA 9391-10272	916	600	501	SA 9403-15626	916	4000	547	SA 9411-92350	916	2600	535
SA 9314-02300	916	3000	541	SA 9324-21212	431	100	189	SA 9391-10272	916	1200	515	SA 9406-05623	916	500	497	SA 9411-92462	914	400	453
SA 9314-02300	916	3100	543	SA 9324-21617	431	300	193	SA 9391-10272	916	1500	521	SA 9406-05647	916	600	501	SA 9411-92462	916	2400	531
SA 9314-02300	916	3200	545	SA 9325-04010	431	100	189	SA 9392-10130	371	200	161	SA 9406-06617	916	100	487	SA 9411-92472	914	2200	483
SA 9314-02300	924	400	567	SA 9325-06012	431	100	189	SA 9392-10130	371	400	167	SA 9406-06617	916	400	493	SA 9411-92472	914	2300	485
SA 9314-02300	924	500	569	SA 9325-08010	431	300	193	SA 9392-20130	234	300	85	SA 9406-06623	916	500	497	SA 9411-92600	914	100	443
SA 9314-02300	924	700	571	SA 9325-08010	431	300	195	SA 9392-20130	356	100	135	SA 9406-06623	916	2800	539	SA 9411-92600	916	300	491
SA 9314-02300	924	1100	575	SA 9326-10000	821	300	281	SA 9392-20130	356	200	137	SA 9411-08080	235	100	87	SA 9411-92992	914	400	453

NUMERICAL INDEX	부품번호 색인	Catalogue id	Group
		<b>56141</b>	<b>1000</b>
RÉPERTOIRE DE NUMÉROS	INDICE DE NÚMERO	Issue	Page
NUMMERREGISTER		<b>VOE 7414356141</b>	<b>9</b>

**VOLVO**

**EC210B**

## NUMERICAL INDEX

부품번호 색인

Catalogue id

Group

## RÉPERTOIRE DE NUMÉROS

INDICE DE NÚMERO

**56141**

**1000**

## NUMMERNREGISTER

Issue

Page

**VOE 7414356141**

**10**

Part No	Group	Sect	Page	Part No	Group	Sect	Page	Part No	Group	Sect	Page	Part No	Group	Sect	Page	Part No	Group	Sect	Page
SA 9411-92992	914	2200	483	SA 9411-96110	914	300	449	SA 9412-11120	916	700	505	SA 9413-11010	916	600	501	SA 9415-11032	924	3000	583
SA 9411-92992	914	2300	485	SA 9411-96110	916	700	505	SA 9412-11120	916	2400	531	SA 9413-11010	916	700	505	SA 9415-11041	912	2100	427
SA 9411-92992	916	2400	531	SA 9411-96110	916	2400	531	SA 9412-11130	911	300	381	SA 9413-11010	916	2400	531	SA 9415-11041	914	300	449
SA 9411-93390	916	800	509	SA 9411-96290	235	100	87	SA 9412-11130	914	300	449	SA 9413-11010	916	2600	537	SA 9415-11042	924	3000	583
SA 9411-93390	916	1400	519	SA 9411-96300	235	100	87	SA 9412-11130	916	2400	531	SA 9413-11020	914	400	453	SA 9415-11051	913	200	433
SA 9411-93390	916	2400	531	SA 9412-11020	914	100	443	SA 9412-11130	916	2600	535	SA 9413-11020	916	1200	515	SA 9415-11051	914	300	449
SA 9411-93492	916	2600	535	SA 9412-11020	914	300	449	SA 9412-11140	914	500	457	SA 9413-11020	916	1500	521	SA 9415-11051	916	2600	537
SA 9411-93900	914	400	453	SA 9412-11020	914	400	453	SA 9412-11170	911	300	381	SA 9413-11020	916	2400	531	SA 9415-22051	234	100	81
SA 9411-94640	914	300	449	SA 9412-11020	914	500	457	SA 9412-11190	914	400	453	SA 9413-11020	924	1000	573	SA 9415-35021	916	800	509
SA 9411-94680	916	700	505	SA 9412-11020	914	2300	485	SA 9412-11280	914	500	457	SA 9413-11030	914	500	457	SA 9415-35021	916	1400	519
SA 9411-95190	914	300	449	SA 9412-11020	916	600	501	SA 9412-11290	924	200	565	SA 9413-11030	916	1200	515	SA 9415-35031	916	800	509
SA 9411-95260	914	500	457	SA 9412-11020	916	700	505	SA 9412-12020	916	300	491	SA 9413-11030	916	1500	521	SA 9415-35031	916	1400	519
SA 9411-95440	914	300	449	SA 9412-11020	916	2600	535	SA 9412-12150	914	300	449	SA 9413-11050	916	2300	529	SA 9415-43012	492	100	215
SA 9411-95440	914	400	453	SA 9412-11020	924	700	571	SA 9412-22020	924	100	561	SA 9413-11160	914	200	447	SA 9415-43031	924	1600	579
SA 9411-95440	916	700	505	SA 9412-11030	914	100	443	SA 9412-22020	924	200	565	SA 9413-11160	914	2200	483	SA 9415-43032	443	200	213
SA 9411-95440	916	2400	531	SA 9412-11030	914	200	447	SA 9412-22030	924	200	565	SA 9413-11160	916	300	491	SA 9415-43041	916	3000	541
SA 9411-95440	924	200	565	SA 9412-11030	914	300	449	SA 9412-22050	924	100	561	SA 9413-11180	916	300	491	SA 9415-43041	916	3200	545
SA 9411-95470	914	400	453	SA 9412-11030	914	400	453	SA 9412-22050	924	200	565	SA 9413-11230	916	600	501	SA 9415-43042	431	100	191
SA 9411-95650	870	100	323	SA 9412-11030	914	2100	481	SA 9412-22070	235	100	87	SA 9413-11230	916	600	501	SA 9415-43042	431	100	191
SA 9411-95870	914	2300	485	SA 9412-11030	916	2400	531	SA 9412-43020	974	300	601	SA 9413-43020	974	300	601	SA 9416-11021	974	2100	611
SA 9411-95940	924	100	561	SA 9412-11030	924	700	571	SA 9412-43020	974	1200	605	SA 9413-43020	975	500	629	SA 9416-11041	916	3100	543
SA 9411-95940	924	500	569	SA 9412-11030	924	1000	573	SA 9412-43020	974	1300	607	SA 9413-43020	975	600	633	SA 9416-11091	916	600	501
SA 9411-95950	924	100	561	SA 9412-11040	911	300	381	SA 9412-43020	974	2100	611	SA 9413-43020	975	600	633	SA 9416-11091	924	400	567
SA 9411-95950	924	500	569	SA 9412-11040	914	300	449	SA 9412-43020	975	500	629	SA 9414-11050	916	2200	527	SA 9416-11091	924	500	569
SA 9411-95950	924	1200	577	SA 9412-11040	914	500	457	SA 9412-43020	975	600	633	SA 9414-11180	924	1000	573	SA 9416-11101	916	1200	515
SA 9411-95970	916	3100	543	SA 9412-11050	914	400	453	SA 9412-43060	914	500	457	SA 9414-43090	974	1300	607	SA 9416-11101	916	1500	521
SA 9411-95980	916	2100	525	SA 9412-11050	914	500	457	SA 9412-43110	974	300	601	SA 9415-11012	924	3000	583	SA 9416-11101	924	400	567
SA 9411-95990	916	3000	541	SA 9412-11050	916	300	491	SA 9412-43110	974	2100	611	SA 9415-11021	913	200	433	SA 9416-11101	924	500	569
SA 9411-95990	916	3200	545	SA 9412-11060	914	500	457	SA 9412-43110	975	500	631	SA 9415-11021	913	400	441	SA 9416-11101	924	1100	575
SA 9411-96030	924	1000	573	SA 9412-11090	911	300	381	SA 9412-43110	975	600	635	SA 9415-11021	914	300	449	SA 9416-11101	924	1200	577
SA 9411-96070	916	2200	527	SA 9412-11090	916	700	505	SA 9413-11010	914	300	449	SA 9415-11031	911	300	381	SA 9416-11111	916	1200	515
SA 9411-96090	975	500	629	SA 9412-11120	914	100	443	SA 9413-11010	914	400	453	SA 9415-11031	914	100	443	SA 9416-11111	916	1500	521
SA 9411-96090	975	600	633	SA 9412-11120	914	200	447	SA 9413-11010	914	500	457	SA 9415-11032	912	200	393	SA 9416-11111	916	3000	541
SA 9411-96100	916	1200	515	SA 9412-11120	914	300	449	SA 9413-11010	914	2300	485	SA 9415-11032	912	500	407	SA 9416-11111	916	3200	545
SA 9411-96100	916	1500	521	SA 9412-11120	914	2200	483	SA 9413-11010	916	300	491	SA 9415-11032	912	600	409	SA 9419-11040	916	600	501
												SA 9415-11032	912	900	423	SA 9419-11040	916	1000	513

Part No	Group	Sect	Page	Part No	Group	Sect	Page	Part No	Group	Sect	Page	Part No	Group	Sect	Page	Part No	Group	Sect	Page
SA 9419-11040	916	2600	535	SA 9426-20050	875	100	341	SA 9451-02234	916	600	501	SA 9451-05210	914	500	457	SA 9453-02226	914	2300	485
SA 9419-11040	916	4000	547	SA 9426-20050	924	100	561	SA 9451-02236	916	600	503	SA 9451-05252	916	600	503	SA 9453-02226	916	700	505
SA 9419-11050	916	2600	535	SA 9426-20050	924	200	565	SA 9451-02240	916	600	503	SA 9451-06218	916	2300	529	SA 9453-02227	914	300	451
SA 9419-11050	916	4000	547	SA 9426-20060	235	100	87	SA 9451-02251	916	600	503	SA 9452-03221	914	200	447	SA 9453-02232	916	700	505
SA 9419-11070	911	300	381	SA 9426-20060	870	100	323	SA 9451-02268	916	600	503	SA 9452-03221	914	2200	483	SA 9453-02233	914	400	455
SA 9419-11080	911	200	379	SA 9426-20090	431	300	193	SA 9451-02610	916	300	491	SA 9452-03221	916	700	505	SA 9453-02234	916	2600	535
SA 9419-11090	916	2200	527	SA 9426-20090	911	100	375	SA 9451-02627	924	400	567	SA 9452-03223	914	100	443	SA 9453-02237	914	300	451
SA 9419-11210	916	2200	527	SA 9433-11111	974	1200	605	SA 9451-02627	924	500	569	SA 9452-03234	924	1000	573	SA 9453-02242	914	300	451
SA 9419-21030	911	400	383	SA 9433-11111	974	1300	607	SA 9451-02632	924	700	571	SA 9452-03237	914	100	443	SA 9453-02246	914	300	451
SA 9419-21030	916	300	491	SA 9433-11111	975	500	631	SA 9451-02652	924	500	569	SA 9452-03241	914	2100	481	SA 9453-02246	914	2200	483
SA 9419-21030	916	1000	513	SA 9433-11111	975	600	635	SA 9451-02656	924	500	569	SA 9452-05231	916	300	491	SA 9453-02251	911	300	381
SA 9419-21030	916	2600	535	SA 9433-25111	974	1200	605	SA 9451-03240	916	2400	531	SA 9452-06219	916	2200	527	SA 9453-02255	911	300	381
SA 9419-21030	916	4000	549	SA 9433-25111	974	1300	607	SA 9451-03245	914	2200	483	SA 9453-02205	914	400	453	SA 9453-02336	914	500	457
SA 9419-21040	911	200	379	SA 9433-25111	975	500	631	SA 9451-03249	914	200	447	SA 9453-02207	914	300	449	SA 9453-02346	914	500	457
SA 9419-21050	916	1200	515	SA 9433-25111	975	600	635	SA 9451-03308	916	300	491	SA 9453-02208	914	400	453	SA 9453-02617	916	300	491
SA 9419-21050	916	1500	521	SA 9433-31150	974	1200	605	SA 9451-03622	924	1100	575	SA 9453-02209	914	400	453	SA 9453-02618	924	500	569
SA 9419-21050	916	2200	527	SA 9434-01001	975	500	631	SA 9451-03622	924	1200	577	SA 9453-02210	914	300	449	SA 9453-03212	914	300	451
SA 9425-51021	916	500	497	SA 9434-01001	975	600	635	SA 9451-03627	924	400	567	SA 9453-02210	916	2600	535	SA 9453-03212	924	200	565
SA 9425-51021	916	600	501	SA 9444-10313	911	600	389	SA 9451-03627	924	500	569	SA 9453-02211	914	2300	485	SA 9453-03218	916	2400	533
SA 9425-51022	911	600	389	SA 9446-30600	912	200	393	SA 9451-03632	924	700	571	SA 9453-02212	914	400	453	SA 9453-03219	916	2400	531
SA 9425-51031	916	100	487	SA 9451-02206	914	2300	485	SA 9451-03652	924	500	569	SA 9453-02212	914	500	457	SA 9453-03221	916	2400	533
SA 9425-51031	916	400	493	SA 9451-02206	916	700	505	SA 9451-03654	924	1200	577	SA 9453-02212	916	2600	535	SA 9453-03224	914	2100	481
SA 9425-51031	916	500	497	SA 9451-02207	916	2400	531	SA 9451-03656	924	500	569	SA 9453-02214	914	400	453	SA 9453-03224	916	2400	533
SA 9425-51031	916	2800	539	SA 9451-02207	916	2600	535	SA 9451-03656	924	1200	577	SA 9453-02215	914	300	451	SA 9453-03226	914	2300	485
SA 9425-51041	911	500	385	SA 9451-02208	914	400	453	SA 9451-04218	914	500	457	SA 9453-02215	916	2400	533	SA 9453-03229	914	100	443
SA 9426-10020	916	300	491	SA 9451-02208	916	2600	535	SA 9451-04244	914	500	457	SA 9453-02216	914	400	455	SA 9453-03230	914	100	443
SA 9426-10040	914	300	449	SA 9451-02211	914	400	453	SA 9451-04245	914	300	449	SA 9453-02217	914	400	455	SA 9453-03231	914	100	443
SA 9426-10050	234	300	85	SA 9451-02214	916	2400	531	SA 9451-04254	916	3200	545	SA 9453-02218	914	300	451	SA 9453-03243	916	1200	515
SA 9426-20020	386	100	177	SA 9451-02215	914	400	453	SA 9451-04256	916	3200	545	SA 9453-02218	914	400	455	SA 9453-03243	916	1500	521
SA 9426-20040	386	100	177	SA 9451-02217	914	400	453	SA 9451-04266	916	3100	543	SA 9453-02221	914	300	451	SA 9453-03245	914	2200	483
SA 9426-20040	924	100	561	SA 9451-02222	914	400	453	SA 9451-04322	916	300	491	SA 9453-02221	914	400	455	SA 9453-03247	914	200	447
SA 9426-20040	924	200	565	SA 9451-02227	914	300	449	SA 9451-04340	911	300	381	SA 9453-02222	916	700	505	SA 9453-03255	914	200	447
SA 9426-20050	234	100	81	SA 9451-02232	914	400	453	SA 9451-04341	916	1200	515	SA 9453-02224	916	2600	535	SA 9453-03256	914	200	447
SA 9426-20050	235	100	87	SA 9451-02232	916	600	501	SA 9451-04341	916	1500	521	SA 9453-02225	916	2400	533	SA 9453-03265	914	300	451
SA 9426-20050	261	400	109	SA 9451-02234	914	300	449	SA 9451-04344	911	300	381	SA 9453-02225	924	200	565	SA 9453-03352	916	300	491

<b>NUMERICAL INDEX</b> <b>RÉPERTOIRE DE NUMÉROS</b> <b>NUMMERNREGISTER</b>	부품번호 색인 <b>INDICE DE NÚMERO</b>		Catalogue id <b>56141</b>	Group <b>1000</b>
			Issue <b>VOE 7414356141</b>	Page <b>11</b>

**VOLVO**

**EC210B**

NUMERICAL INDEX				부품번호 색인				Catalogue id				Group							
RÉPERTOIRE DE NUMÉROS				INDICE DE NÚMERO				56141				1000							
NUMMERNREGISTER								Issue				Page							
								VOE 7414356141				12							
Part No	Group	Sect	Page	Part No	Group	Sect	Page	Part No	Group	Sect	Page	Part No	Group	Sect	Page				
SA 9453-03608	914	400	455	SA 9481-11003	492	100	215	SA 9511-12008	913	200	433	SA 9511-12011	916	300	491	SA 9511-12014	924	1000	573
SA 9453-03618	924	500	569	SA 9481-11003	775	700	245	SA 9511-12008	913	300	439	SA 9511-12011	916	600	503	SA 9511-12014	924	3000	583
SA 9453-03618	924	1200	577	SA 9481-11003	974	300	601	SA 9511-12008	916	7200	555	SA 9511-12011	916	700	505	SA 9511-12016	912	300	397
SA 9453-03628	924	200	565	SA 9481-11003	974	2100	611	SA 9511-12008	924	3000	583	SA 9511-12011	916	2400	533	SA 9511-12016	912	400	401
SA 9453-03642	916	1200	515	SA 9481-11003	975	500	631	SA 9511-12010	234	100	81	SA 9511-12011	916	2600	535	SA 9511-12016	912	400	403
SA 9453-03642	916	1500	521	SA 9481-11003	975	600	635	SA 9511-12010	911	100	375	SA 9511-12011	924	200	565	SA 9511-12016	912	500	405
SA 9453-04208	914	500	457	SA 9481-11003	975	800	637	SA 9511-12010	912	200	393	SA 9511-12011	924	700	571	SA 9511-12016	912	700	413
SA 9453-04209	914	500	457	SA 9481-11003	975	1900	647	SA 9511-12010	912	500	407	SA 9511-12012	441	600	211	SA 9511-12016	912	800	417
SA 9453-04219	916	3200	545	SA 9481-21002	974	1200	605	SA 9511-12010	912	600	409	SA 9511-12012	912	200	393	SA 9511-12016	912	800	419
SA 9453-04454	924	1000	573	SA 9481-21002	974	1300	607	SA 9511-12010	912	900	423	SA 9511-12012	912	600	409	SA 9511-12016	912	900	421
SA 9453-05210	914	400	455	SA 9481-21002	975	500	631	SA 9511-12010	913	300	439	SA 9511-12013	913	300	439	SA 9511-12016	913	300	439
SA 9453-06208	914	500	457	SA 9481-21002	975	600	635	SA 9511-12010	916	7200	557	SA 9511-12014	441	200	205	SA 9511-12016	913	400	441
SA 9453-06220	924	1000	573	SA 9482-02114	975	500	631	SA 9511-12011	362	200	143	SA 9511-12014	911	300	381	SA 9511-12016	916	7200	555
SA 9459-04260	911	500	385	SA 9482-02114	975	600	635	SA 9511-12011	367	100	153	SA 9511-12014	912	200	393	SA 9511-12018	234	100	81
SA 9459-05110	924	100	561	SA 9482-02119	974	300	601	SA 9511-12011	441	200	205	SA 9511-12014	912	300	399	SA 9511-12018	441	200	205
SA 9459-05130	924	100	561	SA 9482-02119	974	1300	607	SA 9511-12011	441	600	211	SA 9511-12014	912	400	401	SA 9511-12018	911	100	375
SA 9459-05590	924	700	571	SA 9482-02119	974	2100	611	SA 9511-12011	911	300	381	SA 9511-12014	912	500	407	SA 9511-12018	911	300	381
SA 9459-05590	924	1600	579	SA 9482-02120	974	1200	605	SA 9511-12011	912	200	393	SA 9511-12014	912	600	409	SA 9511-12018	912	500	405
SA 9459-05630	924	700	571	SA 9482-02150	974	300	601	SA 9511-12011	912	300	399	SA 9511-12014	912	700	413	SA 9511-12018	912	800	419
SA 9459-05790	911	400	383	SA 9482-02151	974	2100	611	SA 9511-12011	912	400	401	SA 9511-12014	912	800	419	SA 9511-12018	912	900	421
SA 9466-02619	924	400	567	SA 9482-02161	974	300	601	SA 9511-12011	912	500	407	SA 9511-12014	912	900	423	SA 9511-12018	912	2100	427
SA 9466-03202	916	1200	515	SA 9482-02161	974	2100	611	SA 9511-12011	912	600	409	SA 9511-12014	914	100	443	SA 9511-12018	913	200	433
SA 9466-03210	916	1500	521	SA 9482-02410	975	500	631	SA 9511-12011	912	700	415	SA 9511-12014	914	200	447	SA 9511-12018	913	300	439
SA 9466-03606	916	1200	515	SA 9482-02410	975	600	635	SA 9511-12011	912	800	419	SA 9511-12014	914	300	451	SA 9511-12018	914	300	451
SA 9466-03614	916	1500	521	SA 9482-02414	975	500	631	SA 9511-12011	912	900	423	SA 9511-12014	914	400	455	SA 9511-12018	914	500	459
SA 9466-03619	924	400	567	SA 9482-02414	975	600	635	SA 9511-12011	913	200	433	SA 9511-12014	914	500	459	SA 9511-12018	914	900	467
SA 9466-03619	924	1100	575	SA 9482-02424	974	1300	607	SA 9511-12011	913	300	439	SA 9511-12014	914	2100	481	SA 9511-12018	916	1200	515
SA 9466-04219	916	3000	541	SA 9482-02441	974	1300	607	SA 9511-12011	913	400	441	SA 9511-12014	916	300	491	SA 9511-12018	916	1500	521
SA 9466-04302	916	1200	515	SA 9511-11021	912	500	407	SA 9511-12011	914	100	443	SA 9511-12014	916	1200	515	SA 9511-12018	916	7200	555
SA 9466-04310	916	1500	521	SA 9511-11021	912	900	423	SA 9511-12011	914	200	447	SA 9511-12014	916	1500	521	SA 9511-12018	924	3000	583
SA 9481-10003	974	3000	615	SA 9511-12005	441	200	203	SA 9511-12011	914	300	451	SA 9511-12014	916	2100	525	SA 9511-12020	441	600	211
SA 9481-10003	974	3400	619	SA 9511-12006	441	600	211	SA 9511-12011	914	400	455	SA 9511-12014	916	2400	531	SA 9511-12020	913	300	439
SA 9481-10003	975	1600	643	SA 9511-12006	913	300	439	SA 9511-12011	914	500	457	SA 9511-12014	916	2600	535	SA 9511-12020	914	1100	469
SA 9481-10003	975	2500	649	SA 9511-12008	441	200	203	SA 9511-12011	914	2200	483	SA 9511-12014	916	7200	557	SA 9511-12020	914	1200	473
SA 9481-10003	975	2700	653	SA 9511-12008	441	200	205	SA 9511-12011	914	2300	485	SA 9511-12014	924	700	571	SA 9511-12020	914	1300	477

Part No	Group	Sect	Page	Part No	Group	Sect	Page	Part No	Group	Sect	Page	Part No	Group	Sect	Page	Part No	Group	Sect	Page
SA 9511-12020	916	7000	551	SA 9511-12029	911	200	379	SA 9511-22030	441	600	209	SA 9512-02018	916	500	497	SA 9512-02214	916	500	497
SA 9511-12020	916	7100	553	SA 9511-12029	911	300	381	SA 9511-22035	913	200	433	SA 9512-02018	916	600	503	SA 9512-02214	916	600	503
SA 9511-12021	912	200	393	SA 9511-12029	912	300	399	SA 9511-22035	913	300	439	SA 9512-02018	916	900	511	SA 9512-02214	916	900	511
SA 9511-12021	912	300	397	SA 9511-12029	912	500	405	SA 9511-22065	924	3000	583	SA 9512-02018	916	1000	513	SA 9512-02214	916	1000	513
SA 9511-12021	912	300	399	SA 9511-12029	912	700	415	SA 9511-22070	775	800	247	SA 9512-02018	916	1200	515	SA 9512-02214	916	1300	517
SA 9511-12021	912	400	401	SA 9511-12029	912	900	421	SA 9511-22075	775	900	249	SA 9512-02018	916	1300	517	SA 9512-02214	916	4000	547
SA 9511-12021	912	500	405	SA 9511-12029	914	400	455	SA 9511-22075	913	300	439	SA 9512-02018	916	1400	519	SA 9512-02214	924	1000	573
SA 9511-12021	912	600	409	SA 9511-12029	914	500	459	SA 9511-22075	974	3400	619	SA 9512-02018	916	2600	535	SA 9512-02219	386	100	177
SA 9511-12021	912	700	415	SA 9511-12029	916	600	503	SA 9511-22095	913	200	433	SA 9512-02018	916	4000	547	SA 9512-02219	911	200	379
SA 9511-12021	912	800	419	SA 9511-12029	916	1200	515	SA 9511-22095	913	400	441	SA 9512-02021	911	400	383	SA 9512-02219	911	400	383
SA 9511-12021	912	900	421	SA 9511-12029	916	1500	521	SA 9511-22095	975	2700	653	SA 9512-02021	916	100	487	SA 9512-02219	911	600	389
SA 9511-12022	912	500	405	SA 9511-12029	916	2200	527	SA 9511-22100	431	300	193	SA 9512-02021	916	400	493	SA 9512-02219	912	200	395
SA 9511-12022	912	900	423	SA 9511-12029	916	2300	529	SA 9511-22125	443	200	213	SA 9512-02021	916	500	497	SA 9512-02219	912	600	411
SA 9511-12022	913	300	439	SA 9511-12032	441	200	203	SA 9511-22145	913	200	433	SA 9512-02021	916	1200	515	SA 9512-02219	912	2000	425
SA 9511-12024	443	200	213	SA 9511-12034	912	200	393	SA 9511-22190	911	100	375	SA 9512-02021	916	1400	519	SA 9512-02219	912	2100	427
SA 9511-12024	911	300	381	SA 9511-12034	912	500	407	SA 9511-22230	234	100	81	SA 9512-02021	916	1500	521	SA 9512-02219	916	100	487
SA 9511-12024	911	400	383	SA 9511-12034	912	600	409	SA 9511-22230	441	200	203	SA 9512-02021	916	2000	523	SA 9512-02219	916	400	493
SA 9511-12024	913	200	433	SA 9511-12034	912	900	421	SA 9511-22230	911	100	375	SA 9512-02021	916	2100	525	SA 9512-02219	916	500	497
SA 9511-12024	914	300	451	SA 9511-12038	916	2200	527	SA 9511-42910	235	100	87	SA 9512-02021	916	2200	527	SA 9512-02219	916	600	503
SA 9511-12024	914	400	453	SA 9511-12040	911	100	375	SA 9511-42912	912	300	397	SA 9512-02021	916	2800	539	SA 9512-02219	916	2100	525
SA 9511-12024	914	500	459	SA 9511-12055	975	2700	653	SA 9511-42912	912	400	401	SA 9512-02120	912	500	407	SA 9512-02219	916	2200	527
SA 9511-12024	916	300	491	SA 9511-12065	974	3000	615	SA 9511-42912	912	500	405	SA 9512-02120	912	900	423	SA 9512-02219	916	2800	539
SA 9511-12024	916	600	503	SA 9511-12065	975	2500	649	SA 9511-42912	912	700	413	SA 9512-02127	912	300	399	SA 9512-02219	916	7200	557
SA 9511-12024	916	1000	513	SA 9511-12080	975	1500	639	SA 9511-42912	912	800	417	SA 9512-02127	912	400	401	SA 9512-02219	924	1000	573
SA 9511-12024	916	2600	535	SA 9511-12080	975	1600	643	SA 9511-42912	912	800	419	SA 9512-02127	912	500	407	SA 9512-02222	911	500	385
SA 9511-12024	916	4000	547	SA 9511-12110	443	200	213	SA 9511-42912	912	900	421	SA 9512-02127	912	700	415	SA 9512-02225	911	500	387
SA 9511-12026	912	300	397	SA 9511-12110	975	2500	649	SA 9512-01011	912	800	417	SA 9512-02127	912	800	419	SA 9512-02228	911	500	385
SA 9511-12026	912	400	401	SA 9511-12115	974	3000	615	SA 9512-02018	911	200	379	SA 9512-02127	912	900	421	SA 9512-02232	911	600	389
SA 9511-12026	912	500	405	SA 9511-12125	975	1500	639	SA 9512-02018	911	300	381	SA 9512-02131	912	200	395	SA 9524-00106	925	1200	595
SA 9511-12026	912	700	415	SA 9511-12125	975	1600	643	SA 9512-02018	911	400	383	SA 9512-02131	912	600	411	SA 9524-00106	925	1500	597
SA 9511-12026	912	800	419	SA 9511-12150	974	3400	619	SA 9512-02018	911	600	389	SA 9512-02214	911	600	389	SA 9524-00127	924	100	561
SA 9511-12026	912	900	423	SA 9511-1222A	441	200	203	SA 9512-02018	912	800	417	SA 9512-02214	912	2000	425	SA 9524-00127	925	100	587
SA 9511-12026	913	300	439	SA 9511-1222A	916	7200	555	SA 9512-02018	916	100	487	SA 9512-02214	912	2100	427	SA 9524-00127	925	200	589
SA 9511-12026	916	2600	535	SA 9511-22025	234	300	85	SA 9512-02018	916	300	491	SA 9512-02214	916	100	487	SA 9524-00127	925	500	591
SA 9511-12028	441	600	209	SA 9511-22025	913	300	439	SA 9512-02018	916	400	493	SA 9512-02214	916	400	493	SA 9524-00127	925	1500	597

NUMERICAL INDEX

RÉPERTOIRE DE NUMÉROS

NUMMERNREGISTER

부품번호 색인

INDICE DE NÚMERO

Catalogue id

56141

Group

1000

Issue

VOE 7414356141

Page

13

**VOLVO**

**EC210B**



## NUMERICAL INDEX

## RÉPERTOIRE DE NUMÉROS

## NUMMERNREGISTER

부품번호 색인

## INDICE DE NÚMERO

Catalogue id  
**56141**

Group  
**1000**

Issue  
**VOE 7414356141**

Page  
**14**

Part No	Group	Sect	Page	Part No	Group	Sect	Page	Part No	Group	Sect	Page	Part No	Group	Sect	Page	Part No	Group	Sect	Page
SA 9541-01035	441	500	207	SA 9566-10100	916	7200	557	SA 9567-20701	975	2700	655	SA 9676-51600	914	2300	485	SA 9962-10565	363	300	149
SA 9541-01042	431	300	193	SA 9566-10120	912	200	393	SA 9567-20801	974	3000	617	SA 9676-51600	916	2400	531	SA 9962-10583	371	800	171
SA 9541-01090	431	300	193	SA 9566-10120	912	600	409	SA 9567-20801	975	2500	649	SA 9676-73200	913	200	431	SA 9962-10928	261	400	109
SA 9541-02080	775	900	249	SA 9566-10160	912	300	397	SA 9567-20950	975	1500	639	SA 9725-21000	821	200	277	SA 9962-10946	261	400	109
SA 9556-07000	975	2700	653	SA 9566-10160	912	400	401	SA 9567-20950	975	1600	645	SA 9741-20000	827	200	289	VOE 11039846	352	100	133
SA 9556-08000	974	3000	615	SA 9566-10160	912	500	405	SA 9567-21050	974	3400	621	SA 9741-30000	821	300	281	VOE 11039846	356	100	135
SA 9556-08000	975	2500	649	SA 9566-10160	912	700	413	SA 9568-01000	975	2700	653	SA 9742-30030	821	100	275	VOE 11039846	356	200	137
SA 9556-09500	975	1500	641	SA 9566-10160	912	800	417	SA 9568-01200	975	2500	649	SA 9742-50020	234	100	81	VOE 11039846	356	300	139
SA 9556-09500	975	1600	645	SA 9566-10160	912	800	419	SA 9568-01250	974	3000	615	SA 9742-50020	911	100	375	VOE 11063256	261	400	109
SA 9556-10500	974	3400	619	SA 9566-10160	912	900	421	SA 9568-01350	975	1500	639	SA 9751-12504	881	100	343	VOE 11110175	256	100	99
SA 9557-06000	975	2700	653	SA 9566-10160	916	7200	555	SA 9568-01350	975	1600	643	SA 9751-13606	371	200	161	VOE 11110176	256	100	99
SA 9557-07000	974	3000	617	SA 9566-10180	913	200	433	SA 9571-22000	843	100	301	SA 9751-15016	371	200	161	VOE 11172896	233	100	79
SA 9557-07000	975	2500	649	SA 9566-10200	441	600	211	SA 9571-22250	830	100	291	SA 9751-16427	875	100	341	VOE 11172896	235	100	87
SA 9557-08500	975	1500	641	SA 9566-10210	912	500	405	SA 9571-22500	843	100	301	SA 9811-12150	310	100	125	VOE 11700258	211	100	53
SA 9557-08500	975	1600	645	SA 9566-10210	912	900	423	SA 9571-24500	843	100	301	SA 9817-12410	870	100	325	VOE 11700258	212	100	55
SA 9557-09500	974	3400	619	SA 9566-1022A	916	7200	555	SA 9572-23750	810	600	265	SA 9817-12410	874	100	333	VOE 11700341	211	100	53
SA 9563-20701	975	2700	653	SA 9566-10260	912	300	397	SA 9572-43000	827	200	289	SA 9861-10100	387	100	179	VOE 11700344	211	100	53
SA 9563-20801	974	3000	617	SA 9566-10260	912	500	405	SA 9611-02525	924	3000	583	SA 9879-10400	371	200	161	VOE 11700373	214	100	61
SA 9563-20801	975	2500	649	SA 9566-10260	912	700	415	SA 9611-10025	443	200	213	SA 9879-10400	896	200	355	VOE 11700391	221	100	75
SA 9563-20950	975	1500	641	SA 9566-10260	912	900	421	SA 9612-07040	975	2700	655	SA 9879-10600	896	200	355	VOE 11700392	236	100	89
SA 9563-20950	975	1600	645	SA 9566-10260	916	2600	535	SA 9612-08040	974	3000	615	SA 9879-10800	371	200	161	VOE 11700424	237	100	91
SA 9563-21050	974	3400	619	SA 9566-11100	975	2500	651	SA 9612-08040	975	2500	651	SA 9879-11000	371	200	161	VOE 11700426	237	100	91
SA 9564-20700	975	2700	655	SA 9566-11150	974	3000	617	SA 9612-09540	975	1500	639	SA 9951-09044	235	100	87	VOE 11700487	237	100	91
SA 9564-20800	974	3000	617	SA 9566-11250	975	1500	641	SA 9612-09540	975	1600	643	SA 9951-11006	235	100	87	VOE 11700625	215	100	63
SA 9564-20800	975	2500	651	SA 9566-11250	975	1600	645	SA 9612-10540	974	3400	619	SA 9951-11021	235	100	87	VOE 11700632	237	100	91
SA 9564-20950	975	1500	641	SA 9566-20300	441	600	209	SA 9624-11417	975	2700	653	SA 9951-11059	235	100	87	VOE 11705909	256	100	99
SA 9564-20950	975	1600	645	SA 9566-20350	913	200	433	SA 9624-11617	975	2500	649	SA 9951-19046	234	300	83	VOE 11705910	256	100	99
SA 9564-21050	974	3400	621	SA 9566-20950	975	2700	655	SA 9624-11621	974	3400	619	SA 9952-10014	235	100	87	VOE 11709635	263	100	113
SA 9565-11000	975	2700	653	SA 9566-31100	975	2500	651	SA 9624-11621	975	1500	639	SA 9961-23326	870	100	325	VOE 13947281	212	100	55
SA 9565-11200	975	2500	649	SA 9566-31150	974	3000	617	SA 9624-11621	975	1600	643	SA 9961-23331	870	100	325	VOE 13947281	223	100	77
SA 9565-11250	974	3000	615	SA 9566-31250	975	1500	641	SA 9624-11821	974	3400	619	SA 9962-00540	363	200	147	VOE 13947281	262	100	111
SA 9565-11350	975	1500	639	SA 9566-31250	975	1600	645	SA 9676-14000	916	7200	557	SA 9962-00609	261	100	103	VOE 13947621	212	100	55
SA 9565-11350	975	1600	643	SA 9566-31500	974	3400	619	SA 9676-38000	441	200	203	SA 9962-00929	261	300	107	VOE 13947621	215	100	63
SA 9565-11600	974	3400	619	SA 9566-40650	924	3000	583	SA 9676-51600	914	400	455	SA 9962-02110	261	100	103	VOE 13947621	251	100	93
SA 9566-10080	916	7200	555	SA 9566-40950	975	2700	655	SA 9676-51600	914	2200	483	SA 9962-10504	371	800	173	VOE 13947621	255	100	97

Part No	Group	Sect	Page	Part No	Group	Sect	Page	Part No	Group	Sect	Page	Part No	Group	Sect	Page	Part No	Group	Sect	Page
VOE 13947621	371	300	165	VOE 14500190	363	300	149	VOE 14500297	875	100	339	VOE 14502010	364	100	151	VOE 14503680	837	100	295
VOE 13947622	223	100	77	VOE 14500233	911	100	375	VOE 14500298	234	300	83	VOE 14502014	897	200	359	VOE 14503686	852	100	307
VOE 13947622	233	100	79	VOE 14500272	362	100	141	VOE 14500298	371	200	161	VOE 14502037	914	2300	485	VOE 14503696	924	200	565
VOE 13947622	262	100	111	VOE 14500290	362	100	141	VOE 14500299	371	200	161	VOE 14502037	916	2600	535	VOE 14503696	924	3100	585
VOE 13947625	233	100	79	VOE 14500290	363	300	149	VOE 14500388	210	100	49	VOE 14502048	911	300	381	VOE 14503755	371	500	169
VOE 13969011	212	100	55	VOE 14500290	369	100	155	VOE 14500390	924	2000	581	VOE 14502170	234	300	83	VOE 14503756	371	500	169
VOE 13969011	233	100	79	VOE 14500290	371	400	167	VOE 14500395	371	200	161	VOE 14502170	367	100	153	VOE 14503757	372	200	175
VOE 13969011	237	100	91	VOE 14500291	269	200	117	VOE 14500395	371	400	167	VOE 14502207	261	300	105	VOE 14503884	974	3000	615
VOE 14500033	912	200	395	VOE 14500291	363	300	149	VOE 14500400	914	1300	479	VOE 14502426	992	100	657	VOE 14503884	974	3400	619
VOE 14500033	912	300	399	VOE 14500291	371	200	161	VOE 14500403	916	7200	555	VOE 14502527	870	200	327	VOE 14503884	975	100	623
VOE 14500033	912	400	403	VOE 14500291	875	100	339	VOE 14500404	916	7200	555	VOE 14502527	870	300	329	VOE 14503884	975	200	625
VOE 14500033	912	500	407	VOE 14500292	356	300	139	VOE 14500405	916	7200	555	VOE 14502537	870	200	327	VOE 14503884	975	1500	639
VOE 14500037	441	600	211	VOE 14500292	363	200	147	VOE 14500406	916	7200	555	VOE 14502537	874	200	335	VOE 14503884	975	1600	643
VOE 14500048	912	700	413	VOE 14500292	371	200	161	VOE 14500407	916	7200	555	VOE 14502539	870	200	327	VOE 14503884	975	1900	647
VOE 14500048	912	900	421	VOE 14500293	356	100	135	VOE 14500408	916	7200	555	VOE 14502539	874	200	335	VOE 14503884	975	2500	649
VOE 14500049	912	800	417	VOE 14500293	356	200	137	VOE 14500409	916	7200	555	VOE 14502714	364	100	151	VOE 14503885	974	100	599
VOE 14500057	912	600	409	VOE 14500293	369	300	157	VOE 14500410	916	7200	557	VOE 14502716	364	100	151	VOE 14503885	974	1000	603
VOE 14500058	912	600	409	VOE 14500293	371	200	161	VOE 14500411	916	7200	557	VOE 14503037	371	800	171	VOE 14503885	974	2000	609
VOE 14500083	441	200	203	VOE 14500293	371	500	169	VOE 14500412	916	7200	557	VOE 14503049	870	200	327	VOE 14503885	974	3400	619
VOE 14500087	441	200	203	VOE 14500294	234	100	81	VOE 14500413	916	7200	557	VOE 14503049	874	200	335	VOE 14503886	974	1000	603
VOE 14500088	441	200	205	VOE 14500294	363	200	147	VOE 14500438	914	300	451	VOE 14503076	914	900	467	VOE 14503886	975	100	623
VOE 14500089	441	200	203	VOE 14500294	371	400	167	VOE 14500438	914	900	467	VOE 14503177	364	100	151	VOE 14503886	975	200	625
VOE 14500110	924	1000	573	VOE 14500294	371	500	169	VOE 14500561	914	1200	475	VOE 14503255	874	200	335	VOE 14503886	975	300	627
VOE 14500122	914	1200	473	VOE 14500294	386	100	177	VOE 14500561	914	1300	479	VOE 14503260	870	200	327	VOE 14503887	975	100	623
VOE 14500122	914	1300	477	VOE 14500295	371	200	161	VOE 14500659	875	100	339	VOE 14503260	874	200	335	VOE 14503887	975	200	625
VOE 14500124	914	1200	473	VOE 14500295	371	400	167	VOE 14500660	875	100	339	VOE 14503262	870	200	327	VOE 14503887	975	2700	653
VOE 14500124	914	1300	477	VOE 14500295	371	500	169	VOE 14500661	875	100	339	VOE 14503262	874	200	335	VOE 14503984	356	100	135
VOE 14500125	914	1200	473	VOE 14500295	870	100	323	VOE 14500781	362	200	143	VOE 14503265	870	200	327	VOE 14503984	356	200	137
VOE 14500125	914	1300	477	VOE 14500295	870	200	327	VOE 14500811	914	500	457	VOE 14503265	874	200	335	VOE 14504124	975	300	627
VOE 14500130	914	1200	475	VOE 14500295	874	200	335	VOE 14500880	916	600	501	VOE 14503269	870	200	327	VOE 14504124	975	1900	647
VOE 14500130	914	1300	479	VOE 14500295	875	100	341	VOE 14501373	716	100	227	VOE 14503269	874	200	335	VOE 14504125	975	2700	653
VOE 14500137	914	1100	469	VOE 14500295	916	3000	541	VOE 14501569	371	500	169	VOE 14503346	916	900	511	VOE 14504156	367	100	153
VOE 14500149	916	7000	551	VOE 14500295	916	3200	545	VOE 14501728	369	100	155	VOE 14503436	974	3000	615	VOE 14504183	911	600	389
VOE 14500156	875	100	339	VOE 14500297	234	300	83	VOE 14501960	367	100	153	VOE 14503665	975	1500	639	VOE 14504230	911	500	385
VOE 14500158	371	100	159	VOE 14500297	371	200	161	VOE 14501961	367	100	153	VOE 14503678	837	100	295	VOE 14504237	870	200	327

<b>NUMERICAL INDEX</b> <b>RÉPERTOIRE DE NUMÉROS</b> <b>NUMMERREGISTER</b>	부품번호 색인		Catalogue id	Group
	INDICE DE NÚMERO		<b>56141</b>	<b>1000</b>
			Issue	Page
			<b>VOE 7414356141</b>	<b>15</b>

**NUMERICAL INDEX**

부품번호 색인

Catalogue id

Group

**RÉPERTOIRE DE NUMÉROS**

INDICE DE NÚMERO

**56141**

**1000**

**NUMMERNREGISTER**

Issue

Page

**VOE 7414356141**

**16**

Part No	Group	Sect	Page	Part No	Group	Sect	Page	Part No	Group	Sect	Page	Part No	Group	Sect	Page	Part No	Group	Sect	Page
VOE 14504237	874	200	335	VOE 14505336	914	400	453	VOE 14505799	821	200	277	VOE 14506763	830	100	291	VOE 14506823	843	200	303
VOE 14504267	870	200	327	VOE 14505337	914	400	453	VOE 14505801	821	200	277	VOE 14506764	830	100	291	VOE 14506824	843	200	303
VOE 14504267	874	200	335	VOE 14505500	870	200	327	VOE 14505802	821	200	277	VOE 14506765	830	100	291	VOE 14506825	843	200	303
VOE 14504524	916	2200	527	VOE 14505500	874	200	335	VOE 14505855	386	100	177	VOE 14506766	830	100	291	VOE 14506826	810	600	265
VOE 14504526	718	200	233	VOE 14505501	371	200	161	VOE 14505891	234	100	81	VOE 14506767	830	100	291	VOE 14506827	810	600	265
VOE 14504843	718	500	235	VOE 14505513	870	200	327	VOE 14505893	911	100	375	VOE 14506768	830	100	291	VOE 14506828	810	700	269
VOE 14504851	837	200	297	VOE 14505515	870	100	323	VOE 14505915	261	300	105	VOE 14506769	830	100	291	VOE 14506829	810	700	269
VOE 14504852	837	200	297	VOE 14505516	870	200	327	VOE 14505916	261	300	105	VOE 14506770	830	100	291	VOE 14506830	810	700	269
VOE 14504854	837	200	297	VOE 14505516	874	200	335	VOE 14505920	261	300	105	VOE 14506773	830	100	293	VOE 14506831	810	700	269
VOE 14504855	837	200	297	VOE 14505524	371	800	171	VOE 14505922	261	300	105	VOE 14506774	830	100	293	VOE 14506832	810	700	269
VOE 14504856	837	200	297	VOE 14505525	371	800	171	VOE 14505924	261	300	105	VOE 14506776	830	100	293	VOE 14506833	810	700	269
VOE 14504857	837	200	297	VOE 14505541	371	800	171	VOE 14505925	261	300	105	VOE 14506786	810	700	269	VOE 14506834	810	700	269
VOE 14504858	837	200	297	VOE 14505542	371	800	171	VOE 14505927	261	300	105	VOE 14506788	810	700	269	VOE 14506838	810	700	269
VOE 14504860	837	200	297	VOE 14505578	912	2000	425	VOE 14505928	261	300	105	VOE 14506789	810	700	269	VOE 14506839	810	800	273
VOE 14504861	837	200	297	VOE 14505579	912	2100	427	VOE 14505937	261	300	105	VOE 14506790	810	700	269	VOE 14506840	810	800	273
VOE 14504862	837	200	297	VOE 14505608	364	100	151	VOE 14505949	261	300	105	VOE 14506791	810	600	265	VOE 14506841	810	600	265
VOE 14504863	837	200	297	VOE 14505609	364	100	151	VOE 14505950	261	300	105	VOE 14506792	810	600	265	VOE 14506841	810	800	273
VOE 14504864	837	200	297	VOE 14505630	263	300	115	VOE 14505951	261	300	105	VOE 14506796	810	600	265	VOE 14506842	810	600	265
VOE 14504894	891	100	349	VOE 14505631	263	300	115	VOE 14505952	261	300	105	VOE 14506797	810	600	265	VOE 14506842	810	800	273
VOE 14504895	891	100	349	VOE 14505663	975	500	629	VOE 14505953	261	300	105	VOE 14506804	810	600	265	VOE 14506843	810	500	263
VOE 14504913	261	100	103	VOE 14505727	916	900	511	VOE 14505954	261	300	105	VOE 14506805	810	500	263	VOE 14506844	843	100	301
VOE 14504919	252	100	95	VOE 14505728	916	900	511	VOE 14505955	261	300	105	VOE 14506806	843	200	303	VOE 14506848	810	500	263
VOE 14504921	252	100	95	VOE 14505730	261	300	105	VOE 14506173	916	2600	537	VOE 14506807	843	200	303	VOE 14506849	810	600	265
VOE 14504925	218	100	71	VOE 14505760	911	400	383	VOE 14506388	261	100	103	VOE 14506808	843	200	303	VOE 14506852	860	400	317
VOE 14504926	218	100	71	VOE 14505761	911	400	383	VOE 14506431	256	100	99	VOE 14506809	843	200	303	VOE 14506860	830	100	291
VOE 14504933	821	400	283	VOE 14505764	916	900	511	VOE 14506626	914	100	443	VOE 14506810	843	200	303	VOE 14506861	830	100	291
VOE 14504935	258	200	101	VOE 14505765	916	1000	513	VOE 14506628	914	100	443	VOE 14506811	843	200	303	VOE 14506862	870	100	323
VOE 14505266	775	500	243	VOE 14505766	492	100	215	VOE 14506628	916	2400	531	VOE 14506812	843	200	303	VOE 14506862	874	100	331
VOE 14505323	912	100	391	VOE 14505767	916	1000	513	VOE 14506629	914	100	443	VOE 14506813	843	200	303	VOE 14506863	810	600	265
VOE 14505323	912	600	409	VOE 14505781	821	500	285	VOE 14506629	916	2400	531	VOE 14506814	843	200	303	VOE 14506864	810	600	265
VOE 14505323	912	700	413	VOE 14505788	821	500	285	VOE 14506654	716	100	227	VOE 14506815	843	200	303	VOE 14506865	810	600	265
VOE 14505323	912	800	417	VOE 14505789	821	500	285	VOE 14506655	716	100	227	VOE 14506816	843	200	303	VOE 14506866	810	600	265
VOE 14505323	912	900	421	VOE 14505790	821	500	285	VOE 14506689	775	100	239	VOE 14506818	843	200	303	VOE 14506867	810	600	265
VOE 14505324	916	2400	531	VOE 14505792	821	500	285	VOE 14506689	775	200	241	VOE 14506819	843	200	303	VOE 14506963	911	600	389
VOE 14505324	916	7300	559	VOE 14505794	821	500	285	VOE 14506762	330	100	129	VOE 14506820	843	200	303	VOE 14506969	911	500	385

Part No	Group	Sect	Page	Part No	Group	Sect	Page	Part No	Group	Sect	Page	Part No	Group	Sect	Page	Part No	Group	Sect	Page
VOE 14506971	911	600	389	VOE 14508019	914	100	443	VOE 14508249	837	100	295	VOE 14508465	914	700	461	VOE 14508725	810	800	273
VOE 14506973	911	600	389	VOE 14508024	810	500	263	VOE 14508313	881	100	343	VOE 14508466	914	700	461	VOE 14508736	330	100	129
VOE 14506981	911	500	385	VOE 14508060	875	100	339	VOE 14508314	881	100	343	VOE 14508479	992	100	657	VOE 14508737	386	100	177
VOE 14506983	911	500	385	VOE 14508069	916	2200	527	VOE 14508315	881	100	343	VOE 14508488	852	100	307	VOE 14508740	234	300	83
VOE 14506987	911	500	385	VOE 14508071	914	2300	485	VOE 14508316	881	100	343	VOE 14508489	852	100	307	VOE 14508746	362	100	141
VOE 14506997	870	300	329	VOE 14508071	916	2600	535	VOE 14508317	881	100	343	VOE 14508490	852	100	307	VOE 14508811	891	100	349
VOE 14506997	874	300	337	VOE 14508073	843	200	303	VOE 14508318	881	100	343	VOE 14508496	810	100	261	VOE 14508835	821	200	277
VOE 14507004	896	100	351	VOE 14508074	843	200	303	VOE 14508319	881	100	343	VOE 14508497	843	200	305	VOE 14508835	827	200	289
VOE 14507081	911	500	385	VOE 14508088	881	200	347	VOE 14508320	881	100	343	VOE 14508603	364	100	151	VOE 14508836	821	200	277
VOE 14507108	914	400	453	VOE 14508089	881	200	347	VOE 14508321	881	100	343	VOE 14508606	860	400	317	VOE 14508837	821	200	277
VOE 14507108	916	700	505	VOE 14508090	881	200	347	VOE 14508322	881	100	343	VOE 14508607	860	400	317	VOE 14508837	827	200	289
VOE 14507108	916	2600	535	VOE 14508091	881	200	347	VOE 14508323	881	100	343	VOE 14508617	860	400	317	VOE 14508838	827	200	289
VOE 14507110	911	500	385	VOE 14508094	881	200	347	VOE 14508324	881	100	343	VOE 14508623	837	100	295	VOE 14508839	827	200	289
VOE 14507111	718	200	233	VOE 14508095	881	200	347	VOE 14508352	881	100	343	VOE 14508624	837	100	295	VOE 14508840	827	200	289
VOE 14507265	371	100	159	VOE 14508096	881	200	347	VOE 14508377	843	200	303	VOE 14508626	372	200	175	VOE 14508841	827	200	289
VOE 14507266	364	100	151	VOE 14508097	881	200	347	VOE 14508395	881	100	343	VOE 14508627	371	800	171	VOE 14508848	821	200	277
VOE 14507298	364	100	151	VOE 14508098	881	200	347	VOE 14508396	881	100	343	VOE 14508628	371	800	171	VOE 14508848	821	300	281
VOE 14507432	364	100	151	VOE 14508099	881	200	347	VOE 14508397	881	100	343	VOE 14508629	371	800	171	VOE 14508850	821	300	281
VOE 14507450	870	100	323	VOE 14508100	881	200	347	VOE 14508417	916	2300	529	VOE 14508630	363	300	149	VOE 14508854	821	300	281
VOE 14507450	874	100	331	VOE 14508101	881	200	347	VOE 14508418	916	2300	529	VOE 14508631	363	300	149	VOE 14508902	975	1500	639
VOE 14507451	371	100	159	VOE 14508102	881	200	347	VOE 14508419	916	2200	527	VOE 14508632	363	300	149	VOE 14508903	974	3400	619
VOE 14507573	372	200	175	VOE 14508103	837	100	295	VOE 14508420	916	4000	547	VOE 14508633	371	800	171	VOE 14508911	431	300	193
VOE 14507574	372	200	175	VOE 14508104	914	700	461	VOE 14508421	916	4000	547	VOE 14508634	363	300	149	VOE 14509019	924	200	565
VOE 14507577	810	700	269	VOE 14508104	916	700	505	VOE 14508426	916	2100	525	VOE 14508635	371	800	171	VOE 14509020	916	1200	515
VOE 14507577	810	800	273	VOE 14508105	914	700	461	VOE 14508427	916	2100	525	VOE 14508636	363	300	149	VOE 14509020	916	1500	521
VOE 14507597	875	100	339	VOE 14508105	914	2200	483	VOE 14508432	916	2100	525	VOE 14508637	363	300	149	VOE 14509020	916	3000	541
VOE 14507598	875	100	339	VOE 14508107	837	100	295	VOE 14508433	916	2100	525	VOE 14508637	371	800	171	VOE 14509020	916	3200	545
VOE 14507603	875	100	339	VOE 14508108	837	100	295	VOE 14508438	916	2100	525	VOE 14508638	363	300	149	VOE 14509020	924	1100	575
VOE 14507705	443	200	213	VOE 14508111	916	2200	527	VOE 14508439	916	2100	525	VOE 14508639	371	800	171	VOE 14509020	924	1200	577
VOE 14507748	916	1000	513	VOE 14508224	256	100	99	VOE 14508440	924	700	571	VOE 14508645	372	200	175	VOE 14509080	924	1000	573
VOE 14507816	916	100	487	VOE 14508246	914	700	461	VOE 14508442	881	100	343	VOE 14508646	916	2400	531	VOE 14509203	860	600	321
VOE 14507816	916	400	493	VOE 14508246	916	700	505	VOE 14508460	830	100	291	VOE 14508662	356	300	139	VOE 14509216	870	100	323
VOE 14507816	916	500	497	VOE 14508247	914	700	461	VOE 14508461	843	100	301	VOE 14508669	367	100	153	VOE 14509216	874	100	331
VOE 14507922	916	1300	517	VOE 14508247	914	2200	483	VOE 14508462	843	100	301	VOE 14508693	830	100	291	VOE 14509256	875	100	339
VOE 14507923	916	1300	517	VOE 14508248	837	100	295	VOE 14508463	843	100	301	VOE 14508698	810	800	273	VOE 14509258	875	100	339

<b>NUMERICAL INDEX</b> <b>RÉPERTOIRE DE NUMÉROS</b> <b>NUMMERNREGISTER</b>	부품번호 색인		Catalogue id	Group
	INDICE DE NÚMERO		<b>56141</b>	<b>1000</b>
			Issue	Page
			<b>VOE 7414356141</b>	<b>17</b>

**VOLVO**

**EC210B**

**NUMERICAL INDEX**
**RÉPERTOIRE DE NUMÉROS**
**NUMMERNREGISTER**

부품번호 색인

**INDICE DE NÚMERO**

 Catalogue id  
**56141**

 Group  
**1000**

 Issue  
**VOE 7414356141**

 Page  
**18**

Part No	Group	Sect	Page	Part No	Group	Sect	Page	Part No	Group	Sect	Page	Part No	Group	Sect	Page				
VOE 14509259	875	100	339	VOE 14509341	874	300	337	VOE 14509526	975	500	629	VOE 14510163	821	200	277	VOE 14510682	875	100	339
VOE 14509260	875	100	339	VOE 14509344	870	300	329	VOE 14509526	975	600	633	VOE 14510164	821	200	277	VOE 14510696	234	100	81
VOE 14509261	875	100	339	VOE 14509344	874	300	337	VOE 14509527	975	500	629	VOE 14510165	821	200	277	VOE 14510697	234	100	81
VOE 14509262	875	100	339	VOE 14509346	870	300	329	VOE 14509527	975	600	633	VOE 14510281	974	2100	611	VOE 14510714	975	800	637
VOE 14509263	875	100	339	VOE 14509346	874	300	337	VOE 14509528	975	500	629	VOE 14510307	975	300	627	VOE 14510755	974	300	601
VOE 14509264	875	100	339	VOE 14509347	870	300	329	VOE 14509528	975	600	633	VOE 14510307	975	1900	647	VOE 14510755	974	2100	611
VOE 14509265	875	100	339	VOE 14509348	870	300	329	VOE 14509568	256	100	99	VOE 14510308	975	300	627	VOE 14510802	914	1300	477
VOE 14509266	875	100	339	VOE 14509348	874	300	337	VOE 14509573	891	100	349	VOE 14510417	914	100	443	VOE 14510803	914	1300	477
VOE 14509267	875	100	339	VOE 14509356	870	300	329	VOE 14509610	897	200	359	VOE 14510417	914	1200	473	VOE 14510826	974	3400	619
VOE 14509268	875	100	339	VOE 14509357	870	300	329	VOE 14509621	371	100	159	VOE 14510418	914	100	443	VOE 14510827	975	1500	639
VOE 14509269	875	100	339	VOE 14509360	870	300	329	VOE 14509621	371	200	161	VOE 14510418	914	1200	473	VOE 14510827	975	1600	643
VOE 14509270	875	100	339	VOE 14509362	870	300	329	VOE 14509667	911	500	385	VOE 14510419	914	100	443	VOE 14510883	975	2700	653
VOE 14509271	875	100	339	VOE 14509363	870	300	329	VOE 14509697	852	100	307	VOE 14510419	914	1300	477	VOE 14510889	975	2700	653
VOE 14509272	875	100	339	VOE 14509364	870	300	329	VOE 14509700	897	200	359	VOE 14510420	914	100	443	VOE 14510890	975	2700	653
VOE 14509273	875	100	339	VOE 14509365	870	300	329	VOE 14509711	897	200	359	VOE 14510420	914	1300	477	VOE 14510891	975	2700	653
VOE 14509274	875	100	339	VOE 14509366	870	300	329	VOE 14509712	897	200	359	VOE 14510437	925	1200	595	VOE 14510892	975	2700	653
VOE 14509275	875	100	339	VOE 14509366	874	300	337	VOE 14509713	897	100	357	VOE 14510437	925	1500	597	VOE 14510897	916	2300	529
VOE 14509280	431	300	193	VOE 14509367	870	300	329	VOE 14509727	911	500	385	VOE 14510438	925	1200	595	VOE 14510898	916	2300	529
VOE 14509281	431	300	193	VOE 14509376	874	300	337	VOE 14509810	810	100	261	VOE 14510438	925	1500	597	VOE 14510914	258	200	101
VOE 14509304	870	100	323	VOE 14509377	870	100	323	VOE 14509837	821	400	283	VOE 14510483	269	200	117	VOE 14510959	974	100	599
VOE 14509304	874	100	331	VOE 14509377	874	100	331	VOE 14509857	992	100	657	VOE 14510484	269	200	117	VOE 14510959	974	2000	609
VOE 14509305	870	100	323	VOE 14509379	911	100	377	VOE 14509858	992	100	657	VOE 14510487	269	200	117	VOE 14510959	975	100	623
VOE 14509305	874	100	331	VOE 14509382	870	300	329	VOE 14509859	992	100	657	VOE 14510495	269	200	117	VOE 14510959	975	200	625
VOE 14509322	386	100	177	VOE 14509382	874	300	337	VOE 14509860	992	100	657	VOE 14510496	810	700	269	VOE 14510959	975	300	627
VOE 14509329	870	300	329	VOE 14509385	874	200	335	VOE 14509864	992	100	657	VOE 14510498	269	200	117	VOE 14510982	371	400	167
VOE 14509329	874	300	337	VOE 14509385	874	300	337	VOE 14509865	992	100	657	VOE 14510558	269	200	117	VOE 14510983	371	400	167
VOE 14509330	870	300	329	VOE 14509416	870	100	323	VOE 14509874	371	500	169	VOE 14510559	269	200	117	VOE 14510984	371	400	167
VOE 14509330	874	300	337	VOE 14509416	874	100	331	VOE 14509899	916	1000	513	VOE 14510560	269	200	117	VOE 14510985	371	200	161
VOE 14509331	870	300	329	VOE 14509463	916	2400	531	VOE 14509899	916	4000	547	VOE 14510561	269	200	117	VOE 14510988	912	200	393
VOE 14509331	874	300	337	VOE 14509464	916	2400	531	VOE 14509916	916	2600	537	VOE 14510562	269	200	117	VOE 14511005	810	500	263
VOE 14509332	870	300	329	VOE 14509483	860	600	321	VOE 14510011	371	200	161	VOE 14510563	269	200	117	VOE 14511027	914	2200	483
VOE 14509335	870	300	329	VOE 14509523	975	500	629	VOE 14510011	371	400	167	VOE 14510581	256	100	99	VOE 14511027	914	2300	485
VOE 14509338	870	300	329	VOE 14509523	975	600	633	VOE 14510098	911	100	375	VOE 14510584	261	100	103	VOE 14511073	371	200	161
VOE 14509339	870	300	329	VOE 14509525	975	500	629	VOE 14510119	914	100	443	VOE 14510585	261	100	103	VOE 14511074	870	100	323
VOE 14509341	870	300	329	VOE 14509525	975	600	633	VOE 14510137	234	100	81	VOE 14510586	256	100	99	VOE 14511074	874	100	331

Part No	Group	Sect	Page	Part No	Group	Sect	Page	Part No	Group	Sect	Page	Part No	Group	Sect	Page	Part No	Group	Sect	Page
VOE 14511114	975	1900	647	VOE 14511733	924	700	571	VOE 14512070	975	2500	649	VOE 14512495	974	100	599	VOE 14512691	974	2000	609
VOE 14511133	992	100	657	VOE 14511734	924	700	571	VOE 14512071	974	3000	615	VOE 14512495	974	1000	603	VOE 14512691	974	2500	613
VOE 14511134	992	100	657	VOE 14511736	924	1600	579	VOE 14512077	916	2300	529	VOE 14512495	974	2000	609	VOE 14512692	974	100	599
VOE 14511144	369	100	155	VOE 14511741	924	700	571	VOE 14512078	897	100	357	VOE 14512495	974	2500	613	VOE 14512692	974	2000	609
VOE 14511145	356	100	135	VOE 14511742	924	700	571	VOE 14512144	912	100	391	VOE 14512510	258	200	101	VOE 14512693	974	100	599
VOE 14511145	356	200	137	VOE 14511743	924	1600	579	VOE 14512144	912	200	393	VOE 14512511	821	100	275	VOE 14512693	974	1000	603
VOE 14511253	924	400	567	VOE 14511744	924	1600	579	VOE 14512144	912	300	397	VOE 14512512	821	100	275	VOE 14512693	974	2000	609
VOE 14511253	924	500	569	VOE 14511745	916	4000	547	VOE 14512144	912	400	401	VOE 14512514	821	100	275	VOE 14512696	974	1300	607
VOE 14511327	810	600	265	VOE 14511746	916	4000	547	VOE 14512144	912	500	405	VOE 14512522	916	1200	515	VOE 14512696	975	500	629
VOE 14511327	810	700	269	VOE 14511747	916	1000	513	VOE 14512278	716	100	227	VOE 14512538	258	200	101	VOE 14512696	975	800	637
VOE 14511327	810	800	273	VOE 14511748	916	1000	513	VOE 14512282	924	1600	579	VOE 14512637	258	200	101	VOE 14512697	975	500	629
VOE 14511328	830	100	291	VOE 14511761	975	500	629	VOE 14512285	218	100	71	VOE 14512638	261	100	103	VOE 14512697	975	600	633
VOE 14511415	870	100	323	VOE 14511796	974	3400	619	VOE 14512286	218	100	71	VOE 14512657	718	100	231	VOE 14512698	975	500	629
VOE 14511429	363	300	149	VOE 14511799	975	500	629	VOE 14512359	821	300	281	VOE 14512662	992	100	657	VOE 14512698	975	600	633
VOE 14511431	875	100	341	VOE 14511833	975	500	629	VOE 14512360	821	300	281	VOE 14512669	870	100	323	VOE 14512699	975	1900	647
VOE 14511453	371	200	161	VOE 14511833	975	600	633	VOE 14512381	911	500	385	VOE 14512669	874	100	331	VOE 14512709	916	300	491
VOE 14511459	875	100	341	VOE 14511834	975	500	629	VOE 14512396	256	100	99	VOE 14512670	371	200	161	VOE 14512710	916	300	491
VOE 14511472	363	300	149	VOE 14511834	975	600	633	VOE 14512397	258	200	101	VOE 14512671	371	400	167	VOE 14512716	352	100	133
VOE 14511486	916	2200	527	VOE 14511836	975	500	629	VOE 14512404	261	300	105	VOE 14512672	371	200	161	VOE 14512717	821	200	279
VOE 14511487	916	2200	527	VOE 14511836	975	600	633	VOE 14512427	924	1600	579	VOE 14512673	992	100	657	VOE 14512718	821	200	277
VOE 14511492	974	300	601	VOE 14511866	492	100	215	VOE 14512428	974	3000	615	VOE 14512675	821	400	283	VOE 14512721	261	300	105
VOE 14511538	356	300	139	VOE 14511870	974	300	601	VOE 14512429	975	1500	639	VOE 14512676	924	100	561	VOE 14512723	924	1600	579
VOE 14511546	371	800	171	VOE 14511905	974	1200	605	VOE 14512430	975	2500	649	VOE 14512676	925	100	587	VOE 14512725	821	200	279
VOE 14511553	371	500	169	VOE 14511914	897	100	357	VOE 14512431	974	3400	619	VOE 14512676	925	200	589	VOE 14512729	210	100	49
VOE 14511599	897	100	357	VOE 14511942	916	2200	527	VOE 14512432	975	1600	643	VOE 14512676	925	500	591	VOE 14512733	897	200	359
VOE 14511623	912	400	401	VOE 14511973	897	100	357	VOE 14512433	256	100	99	VOE 14512676	925	1500	597	VOE 14512752	821	200	277
VOE 14511630	916	700	505	VOE 14511974	821	300	281	VOE 14512446	974	300	601	VOE 14512677	925	100	587	VOE 14512827	974	3000	615
VOE 14511630	916	7000	551	VOE 14511975	821	300	281	VOE 14512446	974	1200	605	VOE 14512677	925	200	589	VOE 14512864	974	3000	615
VOE 14511651	974	1000	603	VOE 14512000	924	700	571	VOE 14512446	974	2100	611	VOE 14512677	925	500	591	VOE 14512869	975	1500	639
VOE 14511653	974	1000	603	VOE 14512014	975	500	629	VOE 14512447	974	3000	615	VOE 14512677	925	1500	597	VOE 14512869	975	1600	643
VOE 14511695	916	2600	537	VOE 14512032	974	1300	607	VOE 14512448	974	3000	615	VOE 14512678	975	1900	647	VOE 14512873	914	1200	473
VOE 14511727	974	3000	615	VOE 14512060	916	600	501	VOE 14512478	975	1900	647	VOE 14512689	975	100	623	VOE 14512873	914	1300	477
VOE 14511731	974	3400	619	VOE 14512061	916	600	501	VOE 14512479	975	1900	647	VOE 14512689	975	200	625	VOE 14512874	914	1200	473
VOE 14511731	975	1500	639	VOE 14512062	916	600	501	VOE 14512481	975	1900	647	VOE 14512691	974	100	599	VOE 14512874	914	1300	477
VOE 14511731	975	1600	643	VOE 14512063	916	1500	521	VOE 14512490	916	300	491	VOE 14512691	974	1000	603	VOE 14512884	975	2500	649

NUMERICAL INDEX

RÉPERTOIRE DE NUMÉROS

NUMMERNREGISTER

부품번호 색인

INDICE DE NÚMERO

Catalogue id	Group
<b>56141</b>	<b>1000</b>
Issue	Page
<b>VOE 7414356141</b>	<b>19</b>

**VOLVO**

**EC210B**

NUMERICAL INDEX				부품번호 색인										Catalogue id		Group			
RÉPERTOIRE DE NUMÉROS				INDICE DE NÚMERO										56141		1000			
NUMMERNREGISTER														Issue		Page			
														VOE 7414356141		20			
Part No	Group	Sect	Page	Part No	Group	Sect	Page	Part No	Group	Sect	Page	Part No	Group	Sect	Page	Part No	Group	Sect	Page
VOE 14512888	975	2500	649	VOE 14513523	716	200	229	VOE 14513930	372	200	175	VOE 14514356	362	300	145	VOE 14514691	912	400	401
VOE 14512889	975	2500	649	VOE 14513634	975	1900	647	VOE 14513931	372	200	175	VOE 14514369	860	100	311	VOE 14514698	716	200	229
VOE 14512894	875	100	341	VOE 14513653	367	100	153	VOE 14513932	875	100	341	VOE 14514370	860	100	311	VOE 14514709	716	200	229
VOE 14512976	974	1200	605	VOE 14513661	924	3100	585	VOE 14513992	821	300	281	VOE 14514371	860	200	313	VOE 14514720	870	300	329
VOE 14512977	974	1200	605	VOE 14513662	924	3100	585	VOE 14513993	821	300	281	VOE 14514372	860	200	313	VOE 14514720	874	300	337
VOE 14512978	974	1200	605	VOE 14513664	924	3100	585	VOE 14513994	821	300	281	VOE 14514373	356	300	139	VOE 14514729	974	300	601
VOE 14512979	974	1200	605	VOE 14513665	924	3100	585	VOE 14514000	874	300	337	VOE 14514374	875	100	341	VOE 14514730	974	300	601
VOE 14512981	974	3400	619	VOE 14513666	924	3100	585	VOE 14514007	356	300	139	VOE 14514375	875	100	341	VOE 14514731	974	1200	605
VOE 14512984	974	3400	619	VOE 14513668	924	3100	585	VOE 14514021	914	1200	473	VOE 14514378	356	300	139	VOE 14514732	974	1300	607
VOE 14512987	916	7300	559	VOE 14513669	924	3100	585	VOE 14514023	715	100	223	VOE 14514380	441	500	207	VOE 14514733	974	2100	611
VOE 14513033	827	200	289	VOE 14513671	924	3100	585	VOE 14514024	715	100	223	VOE 14514382	441	500	207	VOE 14514734	975	600	633
VOE 14513034	827	200	289	VOE 14513718	975	2700	655	VOE 14514025	715	100	223	VOE 14514384	431	300	193	VOE 14514735	975	600	633
VOE 14513036	914	2100	481	VOE 14513730	914	700	461	VOE 14514026	914	1200	473	VOE 14514385	441	500	207	VOE 14514736	975	600	633
VOE 14513096	775	100	239	VOE 14513731	914	700	461	VOE 14514062	837	200	297	VOE 14514428	860	500	319	VOE 14514737	975	600	633
VOE 14513114	975	1600	643	VOE 14513732	914	700	461	VOE 14514090	367	100	153	VOE 14514429	860	500	319	VOE 14514738	975	800	637
VOE 14513115	975	1600	643	VOE 14513748	841	100	299	VOE 14514124	860	400	317	VOE 14514444	975	2700	653	VOE 14514814	897	300	361
VOE 14513142	975	800	637	VOE 14513749	841	100	299	VOE 14514160	860	200	313	VOE 14514446	974	3000	615	VOE 14514815	897	200	359
VOE 14513143	975	800	637	VOE 14513750	852	100	307	VOE 14514160	860	300	315	VOE 14514446	975	2500	649	VOE 14514823	914	2100	481
VOE 14513236	897	100	357	VOE 14513751	852	100	307	VOE 14514162	860	200	313	VOE 14514447	974	300	601	VOE 14514849	974	3000	615
VOE 14513250	860	200	313	VOE 14513752	852	100	307	VOE 14514163	860	200	313	VOE 14514447	974	1200	605	VOE 14514850	975	1500	639
VOE 14513261	897	200	359	VOE 14513753	852	100	307	VOE 14514164	860	200	313	VOE 14514447	974	2100	611	VOE 14514851	975	2500	649
VOE 14513262	975	500	629	VOE 14513754	852	100	307	VOE 14514165	860	200	313	VOE 14514448	974	1300	607	VOE 14514852	975	1600	643
VOE 14513262	975	600	633	VOE 14513755	852	100	307	VOE 14514189	860	600	321	VOE 14514448	975	600	633	VOE 14514853	974	3400	619
VOE 14513263	975	500	629	VOE 14513756	852	100	307	VOE 14514203	810	700	269	VOE 14514448	975	800	637	VOE 14514937	443	200	213
VOE 14513263	975	600	633	VOE 14513757	852	100	307	VOE 14514204	810	700	269	VOE 14514456	974	3400	621	VOE 14514951	827	100	287
VOE 14513264	975	500	629	VOE 14513758	852	100	307	VOE 14514215	914	2200	483	VOE 14514484	916	3000	541	VOE 14514952	841	100	299
VOE 14513264	975	600	633	VOE 14513759	852	100	307	VOE 14514215	916	7100	553	VOE 14514484	916	3200	545	VOE 14515022	974	3000	615
VOE 14513265	975	500	629	VOE 14513760	852	100	307	VOE 14514322	860	100	311	VOE 14514484	924	1100	575	VOE 14515023	974	3000	615
VOE 14513265	975	600	633	VOE 14513761	852	100	307	VOE 14514329	870	300	329	VOE 14514484	924	1200	577	VOE 14515024	975	1500	639
VOE 14513266	975	500	629	VOE 14513762	852	100	307	VOE 14514329	874	300	337	VOE 14514515	821	300	281	VOE 14515025	975	1500	639
VOE 14513266	975	600	633	VOE 14513763	852	100	307	VOE 14514330	870	200	327	VOE 14514560	975	2700	653	VOE 14515026	975	2500	649
VOE 14513267	912	400	401	VOE 14513764	852	100	307	VOE 14514331	870	300	329	VOE 14514572	975	2700	653	VOE 14515027	975	1600	643
VOE 14513302	261	100	103	VOE 14513765	852	100	307	VOE 14514331	874	300	337	VOE 14514623	914	100	443	VOE 14515028	975	1600	643
VOE 14513366	912	500	407	VOE 14513798	830	100	291	VOE 14514339	356	100	135	VOE 14514633	916	2300	529	VOE 14515029	974	3400	619
VOE 14513388	827	200	289	VOE 14513800	916	500	499	VOE 14514339	356	200	137	VOE 14514654	810	500	263	VOE 14515030	974	3400	619

Part No	Group	Sect	Page	Part No	Group	Sect	Page	Part No	Group	Sect	Page	Part No	Group	Sect	Page	Part No	Group	Sect	Page
VOE 14515047	914	700	461	VOE 14515555	387	100	179	VOE 14516414	874	100	331	VOE 14517033	924	3000	583	VOE 14517568	256	100	99
VOE 14515047	914	800	463	VOE 14515556	387	100	179	VOE 14516415	870	100	323	VOE 14517039	924	3000	583	VOE 14517569	369	300	157
VOE 14515051	974	3000	617	VOE 14515579	718	700	237	VOE 14516415	874	100	331	VOE 14517040	924	3000	583	VOE 14517613	912	800	419
VOE 14515052	975	1500	641	VOE 14515581	897	100	357	VOE 14516437	261	300	105	VOE 14517051	974	1000	603	VOE 14517614	912	800	419
VOE 14515052	975	1600	645	VOE 14515584	843	200	305	VOE 14516438	261	300	105	VOE 14517103	234	100	81	VOE 14517615	371	800	171
VOE 14515053	975	2500	651	VOE 14515593	371	800	171	VOE 14516439	261	100	103	VOE 14517120	830	100	291	VOE 14517615	870	200	327
VOE 14515078	830	100	293	VOE 14515594	897	200	359	VOE 14516442	441	500	207	VOE 14517121	810	500	263	VOE 14517615	874	200	335
VOE 14515079	830	100	293	VOE 14515595	897	200	359	VOE 14516445	431	300	193	VOE 14517121	830	100	291	VOE 14517620	974	3000	615
VOE 14515086	234	300	83	VOE 14515596	897	200	359	VOE 14516445	441	500	207	VOE 14517154	821	300	281	VOE 14517743	841	100	299
VOE 14515087	234	300	83	VOE 14515601	897	200	359	VOE 14516446	235	100	87	VOE 14517401	992	100	657	VOE 14517744	841	100	299
VOE 14515171	234	300	83	VOE 14515633	975	500	629	VOE 14516491	896	100	351	VOE 14517404	870	100	323	VOE 14517757	870	200	327
VOE 14515172	234	300	83	VOE 14515633	975	600	633	VOE 14516635	914	800	463	VOE 14517405	897	200	359	VOE 14517757	874	200	335
VOE 14515173	234	300	85	VOE 14515634	975	500	629	VOE 14516637	914	800	463	VOE 14517406	897	300	361	VOE 14517758	870	200	327
VOE 14515183	912	600	409	VOE 14515634	975	600	633	VOE 14516638	914	800	463	VOE 14517407	897	300	361	VOE 14517758	874	200	335
VOE 14515184	912	800	419	VOE 14515724	775	100	239	VOE 14516639	914	800	463	VOE 14517408	897	100	357	VOE 14517760	810	600	265
VOE 14515185	912	900	423	VOE 14515724	775	200	241	VOE 14516640	914	800	465	VOE 14517408	897	200	359	VOE 14517762	810	800	273
VOE 14515305	916	4000	547	VOE 14515791	234	300	83	VOE 14516741	912	2000	425	VOE 14517419	897	100	357	VOE 14517763	843	200	305
VOE 14515348	841	100	299	VOE 14515792	916	4000	547	VOE 14516741	912	2100	427	VOE 14517419	897	200	359	VOE 14517889	914	2100	481
VOE 14515355	261	300	105	VOE 14515814	911	500	385	VOE 14516763	830	100	293	VOE 14517498	870	100	323	VOE 14880065	261	400	109
VOE 14515380	843	100	301	VOE 14515827	431	400	197	VOE 14516964	830	100	293	VOE 14517498	874	100	331	VOE 14880099	916	2400	531
VOE 14515388	914	2200	483	VOE 14515828	431	400	197	VOE 14517011	870	100	323	VOE 14517499	369	300	157	VOE 14880126	914	300	449
VOE 14515424	256	100	99	VOE 14515829	431	400	197	VOE 14517011	874	100	331	VOE 14517511	916	100	487	VOE 14880139	924	700	571
VOE 14515453	830	100	291	VOE 14515830	431	400	197	VOE 14517012	386	100	177	VOE 14517511	916	400	493	VOE 14880158	911	400	383
VOE 14515483	387	100	179	VOE 14515831	431	400	197	VOE 14517015	810	800	273	VOE 14517511	916	500	497	VOE 14880159	911	600	389
VOE 14515523	916	1200	515	VOE 14515876	924	700	571	VOE 14517022	810	700	271	VOE 14517535	261	300	105	VOE 14880160	911	600	389
VOE 14515523	916	1500	521	VOE 14515928	924	1600	579	VOE 14517023	810	700	271	VOE 14517542	821	300	281	VOE 14880168	916	3200	545
VOE 14515524	924	400	567	VOE 14515941	916	700	505	VOE 14517024	924	3000	583	VOE 14517543	821	300	281	VOE 14880192	235	100	87
VOE 14515524	924	500	569	VOE 14516335	256	100	99	VOE 14517025	924	3000	583	VOE 14517544	821	300	281	VOE 14880194	235	100	87
VOE 14515524	924	700	571	VOE 14516338	252	100	95	VOE 14517026	924	3000	583	VOE 14517550	821	200	277	VOE 14880200	897	200	359
VOE 14515524	924	1100	575	VOE 14516339	252	100	95	VOE 14517027	924	3000	583	VOE 14517552	821	200	277	VOE 14880218	897	200	359
VOE 14515524	924	1200	577	VOE 14516344	837	200	297	VOE 14517028	924	3000	583	VOE 14517555	870	100	323	VOE 14880233	914	2300	485
VOE 14515525	916	600	501	VOE 14516345	837	200	297	VOE 14517029	924	3000	583	VOE 14517555	874	100	331	VOE 1542776	258	200	101
VOE 14515536	975	100	623	VOE 14516413	870	100	323	VOE 14517030	924	3000	583	VOE 14517557	234	100	81	VOE 1542780	258	200	101
VOE 14515536	975	200	625	VOE 14516413	874	100	331	VOE 14517031	924	3000	583	VOE 14517557	911	100	375	VOE 1629544	775	800	247
VOE 14515539	881	100	343	VOE 14516414	870	100	323	VOE 14517032	924	3000	583	VOE 14517563	821	100	275	VOE 1629544	916	1000	513

NUMERICAL INDEX

부품번호 색인

Catalogue id

Group

RÉPERTOIRE DE NUMÉROS

INDICE DE NÚMERO

56141

1000

NUMMERNREGISTER

Issue

Page

VOE 7414356141

21

**VOLVO**

**EC210B**



**NUMERICAL INDEX**

부품번호 색인

Catalogue id

Group

**RÉPERTOIRE DE NUMÉROS**

INDICE DE NÚMERO

**56141**

**1000**

**NUMMERNREGISTER**

Issue

Page

**VOE 7414356141**

**22**

Part No	Group	Sect	Page	Part No	Group	Sect	Page	Part No	Group	Sect	Page	Part No	Group	Sect	Page	Part No	Group	Sect	Page
VOE 1629544	916	1300	517	VOE 20405719	212	100	55	VOE 20412324	223	100	77	VOE 20450997	251	100	93	VOE 20459182	212	200	57
VOE 1629544	916	2800	539	VOE 20405721	212	100	55	VOE 20412343	217	100	69	VOE 20451012	251	100	93	VOE 20459183	371	300	165
VOE 1629544	925	1200	595	VOE 20405722	212	100	55	VOE 20412359	212	100	55	VOE 20451738	221	100	75	VOE 20459187	255	100	97
VOE 1699830	261	400	109	VOE 20405723	262	100	111	VOE 20412568	221	100	75	VOE 20459004	262	100	111	VOE 20459191	223	100	77
VOE 20405504	251	100	93	VOE 20405724	216	100	65	VOE 20412596	217	100	69	VOE 20459005	262	100	111	VOE 20459192	223	100	77
VOE 20405504	263	100	113	VOE 20405728	212	100	55	VOE 20412750	233	100	79	VOE 20459015	371	300	165	VOE 20459193	223	100	77
VOE 20405524	214	100	61	VOE 20405755	212	200	57	VOE 20412751	331	100	131	VOE 20459022	371	300	165	VOE 20459195	223	100	77
VOE 20405532	212	200	57	VOE 20405788	371	300	165	VOE 20441518	212	100	55	VOE 20459023	371	300	165	VOE 20459196	223	100	77
VOE 20405556	262	100	111	VOE 20405789	255	100	97	VOE 20441520	221	100	75	VOE 20459025	263	100	113	VOE 20459207	223	100	77
VOE 20405559	237	100	91	VOE 20405790	255	100	97	VOE 20441520	251	100	93	VOE 20459041	331	100	131	VOE 20459209	223	100	77
VOE 20405561	221	100	75	VOE 20405792	217	100	69	VOE 20441859	212	100	55	VOE 20459059	331	100	131	VOE 20459212	223	100	77
VOE 20405584	212	100	55	VOE 20405792	233	100	79	VOE 20450628	216	100	65	VOE 20459060	331	100	131	VOE 20459213	223	100	77
VOE 20405587	251	100	93	VOE 20405792	255	100	97	VOE 20450667	236	100	89	VOE 20459061	331	100	131	VOE 20459214	223	100	77
VOE 20405588	251	100	93	VOE 20405792	262	100	111	VOE 20450672	237	100	91	VOE 20459067	251	100	93	VOE 20459215	223	100	77
VOE 20405589	251	100	93	VOE 20405822	255	100	97	VOE 20450685	371	300	165	VOE 20459068	251	100	93	VOE 20459222	251	100	93
VOE 20405593	251	100	93	VOE 20405835	217	100	69	VOE 20450693	371	300	165	VOE 20459115	215	100	63	VOE 20459223	251	100	93
VOE 20405599	223	100	77	VOE 20405854	218	200	73	VOE 20450694	371	300	165	VOE 20459115	216	100	65	VOE 20459226	251	100	93
VOE 20405603	221	100	75	VOE 20405884	223	100	77	VOE 20450695	371	300	165	VOE 20459117	215	100	63	VOE 20459228	251	100	93
VOE 20405605	215	100	63	VOE 20405885	217	100	69	VOE 20450707	371	300	165	VOE 20459120	214	100	61	VOE 20459232	251	100	93
VOE 20405606	218	200	73	VOE 20405885	223	100	77	VOE 20450713	233	100	79	VOE 20459132	216	100	65	VOE 20459237	255	100	97
VOE 20405627	212	200	57	VOE 20405885	255	100	97	VOE 20450735	262	100	111	VOE 20459133	216	100	65	VOE 20459239	255	100	97
VOE 20405634	216	100	65	VOE 20405885	262	100	111	VOE 20450736	262	100	111	VOE 20459134	216	100	65	VOE 20459246	233	100	79
VOE 20405645	216	200	67	VOE 20405887	216	200	67	VOE 20450749	263	100	113	VOE 20459140	216	100	65	VOE 20459247	233	100	79
VOE 20405646	215	100	63	VOE 20405898	262	100	111	VOE 20450750	263	100	113	VOE 20459141	216	100	65	VOE 20459250	251	100	93
VOE 20405646	216	200	67	VOE 20405898	371	300	165	VOE 20450754	263	100	113	VOE 20459146	216	100	65	VOE 20459252	212	200	57
VOE 20405650	216	100	65	VOE 20405906	212	100	55	VOE 20450778	212	100	55	VOE 20459149	216	100	65	VOE 20459255	212	200	57
VOE 20405653	215	100	63	VOE 20405925	233	100	79	VOE 20450779	212	100	55	VOE 20459152	216	100	65	VOE 20459257	212	200	57
VOE 20405654	216	100	65	VOE 20405938	212	200	57	VOE 20450799	215	100	63	VOE 20459155	216	100	65	VOE 20459263	263	100	113
VOE 20405672	215	100	63	VOE 20405969	255	100	97	VOE 20450801	215	100	63	VOE 20459156	216	100	65	VOE 20459264	263	100	113
VOE 20405672	262	100	111	VOE 20405970	255	100	97	VOE 20450824	216	100	65	VOE 20459160	221	100	75	VOE 20459265	263	100	113
VOE 20405709	215	100	63	VOE 20405988	263	100	113	VOE 20450851	217	100	69	VOE 20459161	221	100	75	VOE 20459267	263	100	113
VOE 20405709	221	100	75	VOE 20412308	255	100	97	VOE 20450856	211	100	53	VOE 20459164	217	100	69	VOE 20459828	211	100	53
VOE 20405716	212	100	55	VOE 20412314	255	100	97	VOE 20450856	218	200	73	VOE 20459166	221	100	75	VOE 20459829	211	100	53
VOE 20405717	212	100	55	VOE 20412324	215	100	63	VOE 20450895	223	100	77	VOE 20459175	255	100	97	VOE 20459830	211	100	53
VOE 20405718	212	100	55	VOE 20412324	221	100	75	VOE 20450987	255	100	97	VOE 20459176	255	100	97	VOE 20459834	251	100	93

Part No	Group	Sect	Page	Part No	Group	Sect	Page	Part No	Group	Sect	Page	Part No	Group	Sect	Page	Part No	Group	Sect	Page	
VOE 20459837	211	100	53	VOE 20459955	262	100	111	VOE 20460123	223	100	77	VOE 70314102	256	100	99	VOE 8277155		393	100	181
VOE 20459838	211	100	53	VOE 20459961	262	100	111	VOE 20460124	251	100	93	VOE 8277127	234	300	83	VOE 8277156		393	100	181
VOE 20459839	211	100	53	VOE 20459984	216	200	67	VOE 20460125	251	100	93	VOE 8277135	775	100	239	VOE 8277157		393	100	181
VOE 20459843	211	100	53	VOE 20459985	216	200	67	VOE 20460126	251	100	93	VOE 8277138	362	100	141	VOE 8277158		393	100	181
VOE 20459844	211	100	53	VOE 20459997	213	100	59	VOE 20460127	251	100	93	VOE 8277140	371	800	171	VOE 8277159		860	600	321
VOE 20459845	211	100	53	VOE 20459998	212	100	55	VOE 20460214	217	100	69	VOE 8277140	810	100	261	VOE 8277160		860	400	317
VOE 20459847	214	100	61	VOE 20459999	212	100	55	VOE 20460215	217	100	69	VOE 8277140	810	500	263	VOE 8277164		860	300	315
VOE 20459848	214	100	61	VOE 20460000	212	100	55	VOE 20460240	223	100	77	VOE 8277140	810	600	265	VOE 8277166		860	100	311
VOE 20459849	214	100	61	VOE 20460001	212	100	55	VOE 20460243	233	100	79	VOE 8277140	810	700	269	VOE 8277259		896	100	351
VOE 20459850	214	100	61	VOE 20460003	212	100	55	VOE 20460244	233	100	79	VOE 8277140	810	800	273	VOE 8277331		715	100	223
VOE 20459851	211	100	53	VOE 20460006	212	100	55	VOE 20460248	233	100	79	VOE 8277140	830	100	291	VOE 8277332		715	100	223
VOE 20459852	211	100	53	VOE 20460007	214	100	61	VOE 20460249	233	100	79	VOE 8277140	843	100	301	VOE 8277477		269	200	117
VOE 20459853	214	100	61	VOE 20460008	214	100	61	VOE 2046123	251	100	93	VOE 8277140	843	200	303	VOE 8277478		269	200	117
VOE 20459854	211	100	53	VOE 20460009	213	100	59	VOE 20481756	221	100	75	VOE 8277142	371	800	171	VOE 8277484		875	100	339
VOE 20459855	211	100	53	VOE 20460010	213	100	59	VOE 20482311	233	100	79	VOE 8277142	810	100	261	VOE 8277535		975	1900	647
VOE 20459857	211	100	53	VOE 20460011	213	100	59	VOE 20482686	321	100	127	VOE 8277142	810	500	263	VOE 8277540		975	2700	653
VOE 20459858	211	100	53	VOE 20460025	213	100	59	VOE 20482687	321	100	127	VOE 8277142	810	600	265	VOE 8277566		925	1500	597
VOE 20459860	211	100	53	VOE 20460033	233	100	79	VOE 20482730	217	100	69	VOE 8277142	810	700	269	VOE 8277576		925	1200	595
VOE 20459861	211	100	53	VOE 20460034	233	100	79	VOE 20482731	217	100	69	VOE 8277142	810	800	273	VOE 8277588		896	100	351
VOE 20459862	211	100	53	VOE 20460035	233	100	79	VOE 20482732	217	100	69	VOE 8277142	830	100	291	VOE 8277641		775	100	239
VOE 20459863	263	100	113	VOE 20460045	233	100	79	VOE 20482772	371	300	165	VOE 8277142	843	100	301	VOE 8277642		775	100	239
VOE 20459869	371	300	165	VOE 20460049	237	100	91	VOE 20482777	237	100	91	VOE 8277142	843	200	303	VOE 8277643		775	100	239
VOE 20459898	212	100	55	VOE 20460055	212	200	57	VOE 20482778	237	100	91	VOE 8277143	852	100	307	VOE 8277646		775	500	243
VOE 20459901	215	100	63	VOE 20460062	237	100	91	VOE 20482779	237	100	91	VOE 8277144	364	100	151	VOE 8277648		775	500	243
VOE 20459907	215	100	63	VOE 20460073	236	100	89	VOE 20482782	217	100	69	VOE 8277144	852	100	307	VOE 8277652		775	900	249
VOE 20459908	215	100	63	VOE 20460075	236	100	89	VOE 20482783	217	100	69	VOE 8277145	364	100	151	VOE 8277659		916	1400	519
VOE 20459932	251	100	93	VOE 20460087	215	100	63	VOE 20482787	215	100	63	VOE 8277145	852	100	307	VOE 8277715		362	200	143
VOE 20459945	223	100	77	VOE 20460092	215	100	63	VOE 20482788	223	100	77	VOE 8277146	914	100	443	VOE 8277726		718	700	237
VOE 20459946	263	100	113	VOE 20460098	237	100	91	VOE 20482789	223	100	77	VOE 8277146	914	1100	469	VOE 8277727		718	700	237
VOE 20459947	263	100	113	VOE 20460099	237	100	91	VOE 4881440	251	100	93	VOE 8277147	914	100	443	VOE 8277758		718	700	237
VOE 20459949	262	100	111	VOE 20460100	237	100	91	VOE 4881440	371	300	165	VOE 8277147	914	1200	473	VOE 8277759		718	700	237
VOE 20459950	262	100	111	VOE 20460102	321	100	127	VOE 7011998	217	100	69	VOE 8277148	914	100	443	VOE 8277784		210	100	49
VOE 20459952	262	100	111	VOE 20460105	321	100	127	VOE 7025167	233	100	79	VOE 8277148	914	1300	477	VOE 8277784		210	200	51
VOE 20459953	262	100	111	VOE 20460106	321	100	127	VOE 7025167	237	100	91	VOE 8277153	330	100	129	VOE 8277784		211	100	53
VOE 20459954	262	100	111	VOE 20460122	251	100	93	VOE 7025167	255	100	97	VOE 8277154	330	100	129	VOE 8277784		212	100	55

NUMERICAL INDEX

RÉPERTOIRE DE NUMÉROS

NUMMERREGISTER

부품번호 색인

INDICE DE NÚMERO

Catalogue id

56141

Group

1000

Issue

VOE 7414356141

Page

23

**VOLVO**

**EC210B**

**NUMERICAL INDEX**

부품번호 색인

Catalogue id

Group

**RÉPERTOIRE DE NUMÉROS**
**INDICE DE NÚMERO**
**56141**
**1000**
**NUMMERNREGISTER**

Issue

Page

**VOE 7414356141**
**24**

Part No	Group	Sect	Page	Part No	Group	Sect	Page	Part No	Group	Sect	Page	Part No	Group	Sect	Page
VOE 8277784	212	200	57	VOE 8277784	371	400	167	VOE 8277784	911	600	389	VOE 8277807	912	300	397
VOE 8277784	213	100	59	VOE 8277784	371	500	169	VOE 8277784	913	100	429	VOE 8277807	912	400	401
VOE 8277784	214	100	61	VOE 8277784	372	200	175	VOE 8277784	913	200	431	VOE 8277807	912	500	405
VOE 8277784	215	100	63	VOE 8277784	386	100	177	VOE 8277784	913	300	437	VOE 8277808	912	100	391
VOE 8277784	216	100	65	VOE 8277784	387	100	179	VOE 8277784	913	400	441	VOE 8277808	912	600	409
VOE 8277784	216	200	67	VOE 8277784	431	100	189	VOE 8277784	914	100	443	VOE 8277808	912	700	413
VOE 8277784	217	100	69	VOE 8277784	431	300	193	VOE 8277784	914	200	447	VOE 8277808	912	800	417
VOE 8277784	218	100	71	VOE 8277784	431	400	197	VOE 8277784	914	300	449	VOE 8277808	912	900	421
VOE 8277784	218	200	73	VOE 8277784	441	100	199	VOE 8277784	914	400	453	VOE 8277810	775	200	241
VOE 8277784	221	100	75	VOE 8277784	441	200	201	VOE 8277784	914	500	457	VOE 8277811	775	200	241
VOE 8277784	223	100	77	VOE 8277784	441	500	207	VOE 8277784	914	700	461	VOE 8277812	775	200	241
VOE 8277784	233	100	79	VOE 8277784	441	600	209	VOE 8277784	914	800	463	VOE 8277813	775	200	241
VOE 8277784	234	100	81	VOE 8277784	443	200	213	VOE 8277784	914	900	467	VOE 8277820	718	100	231
VOE 8277784	235	100	87	VOE 8277784	492	100	215	VOE 8277784	916	900	511	VOE 8277820	775	1000	251
VOE 8277784	236	100	89	VOE 8277784	715	200	225	VOE 8277790	363	300	149	VOE 8277820	821	300	281
VOE 8277784	237	100	91	VOE 8277784	718	500	235	VOE 8277793	261	300	105	VOE 8277820	911	300	381
VOE 8277784	251	100	93	VOE 8277784	775	700	245	VOE 8277793	263	300	115	VOE 8277821	718	200	233
VOE 8277784	252	100	95	VOE 8277784	775	800	247	VOE 8277794	261	300	105	VOE 8277821	775	1000	251
VOE 8277784	255	100	97	VOE 8277784	775	1200	253	VOE 8277794	263	300	115	VOE 8277821	821	300	281
VOE 8277784	256	100	99	VOE 8277784	821	100	275	VOE 8277795	234	300	83	VOE 8277821	911	300	381
VOE 8277784	258	200	101	VOE 8277784	821	200	277	VOE 8277796	234	300	83	VOE 8277822	718	200	233
VOE 8277784	261	100	103	VOE 8277784	821	300	281	VOE 8277797	256	100	99	VOE 8277822	775	1000	251
VOE 8277784	262	100	111	VOE 8277784	821	400	283	VOE 8277798	261	400	109	VOE 8277822	821	300	281
VOE 8277784	263	100	113	VOE 8277784	821	500	285	VOE 8277799	356	300	139	VOE 8277822	911	300	381
VOE 8277784	310	100	125	VOE 8277784	827	100	287	VOE 8277800	874	100	331	VOE 8277824	916	800	509
VOE 8277784	321	100	127	VOE 8277784	827	200	289	VOE 8277800	874	200	335	VOE 8277824	974	2500	613
VOE 8277784	331	100	131	VOE 8277784	837	100	295	VOE 8277800	874	300	337	VOE 8277825	356	100	135
VOE 8277784	352	100	133	VOE 8277784	841	100	299	VOE 8277801	870	100	323	VOE 8277825	897	300	361
VOE 8277784	362	300	145	VOE 8277784	881	100	343	VOE 8277801	870	200	327	VOE 8277825	974	100	599
VOE 8277784	363	200	147	VOE 8277784	881	200	347	VOE 8277801	870	300	329	VOE 8277825	974	300	601
VOE 8277784	364	100	151	VOE 8277784	891	100	349	VOE 8277803	992	100	657	VOE 8277826	356	100	135
VOE 8277784	367	100	153	VOE 8277784	911	100	375	VOE 8277804	837	200	297	VOE 8277826	897	300	361
VOE 8277784	371	100	159	VOE 8277784	911	200	379	VOE 8277805	837	200	297	VOE 8277826	974	100	599
VOE 8277784	371	200	161	VOE 8277784	911	400	383	VOE 8277807	912	100	391	VOE 8277826	974	300	601
VOE 8277784	371	300	165	VOE 8277784	911	500	385	VOE 8277807	912	200	393	VOE 8277827	356	100	135
												VOE 8277851	916	4000	547

Part No	Group	Sect	Page	Part No	Group	Sect	Page	Part No	Group	Sect	Page	Part No	Group	Sect	Page	Part No	Group	Sect	Page
VOE 8277852	916	1000	513	VOE 8277875	924	700	571	VOE 8277908	897	200	359	VOE 8278182	975	200	625	VOE 945495	214	100	61
VOE 8277853	916	1000	513	VOE 8277876	916	900	511	VOE 8277909	897	100	357	VOE 8278182	975	600	633	VOE 946173	310	100	125
VOE 8277854	916	1000	513	VOE 8277877	364	100	151	VOE 8277909	897	200	359	VOE 8278184	975	200	625	VOE 946173	362	100	141
VOE 8277855	367	100	153	VOE 8277877	912	2000	425	VOE 8277910	897	100	357	VOE 8278184	975	600	633	VOE 946173	363	200	147
VOE 8277855	916	2200	527	VOE 8277877	916	300	491	VOE 8277910	897	200	359	VOE 8278186	916	1300	517	VOE 946173	870	100	323
VOE 8277855	916	2400	531	VOE 8277878	912	2100	427	VOE 8277911	775	100	239	VOE 8278186	975	300	627	VOE 946173	874	100	331
VOE 8277855	916	7300	559	VOE 8277878	916	100	487	VOE 8277920	860	200	313	VOE 8278186	975	800	637	VOE 946173	911	200	379
VOE 8277855	924	100	561	VOE 8277878	916	1200	515	VOE 8278071	896	200	355	VOE 8278187	974	3000	615	VOE 946173	914	100	443
VOE 8277856	367	100	153	VOE 8277879	916	100	487	VOE 8278093	364	100	151	VOE 8278188	975	1500	639	VOE 946173	914	700	461
VOE 8277856	916	2200	527	VOE 8277880	897	300	361	VOE 8278101	916	500	497	VOE 8278189	975	1600	643	VOE 946173	924	200	565
VOE 8277856	916	2400	531	VOE 8277880	912	2100	427	VOE 8278101	916	600	501	VOE 8278190	975	2500	649	VOE 946329	371	400	167
VOE 8277856	916	2600	535	VOE 8277880	916	500	497	VOE 8278101	916	700	505	VOE 8278191	974	3400	619	VOE 946329	810	500	263
VOE 8277856	916	7300	559	VOE 8277880	916	600	501	VOE 8278101	916	7000	551	VOE 8278210	716	200	229	VOE 946329	810	800	273
VOE 8277857	916	2300	529	VOE 8277880	916	700	505	VOE 8278101	916	7200	555	VOE 8278213	716	200	229	VOE 946329	827	200	289
VOE 8277858	916	2000	523	VOE 8277880	916	1500	521	VOE 8278103	860	500	319	VOE 8278544	914	2300	485	VOE 946329	860	600	321
VOE 8277859	916	2800	539	VOE 8277880	916	7000	551	VOE 8278141	975	2700	653	VOE 8278545	914	2300	485	VOE 946329	875	100	341
VOE 8277860	916	2100	525	VOE 8277880	916	7200	555	VOE 8278170	356	200	137	VOE 8278547	897	200	359	VOE 946329	914	700	461
VOE 8277861	916	2100	525	VOE 8277882	716	100	227	VOE 8278170	974	100	599	VOE 8278547	914	700	461	VOE 946329	914	2100	481
VOE 8277862	916	2100	525	VOE 8277883	716	100	227	VOE 8278170	974	300	601	VOE 8278547	914	2200	483	VOE 946329	914	2200	483
VOE 8277863	924	1600	579	VOE 8277884	716	100	227	VOE 8278172	356	200	137	VOE 8278547	916	7100	553	VOE 946329	916	700	505
VOE 8277864	210	100	49	VOE 8277885	924	700	571	VOE 8278172	974	100	599	VOE 8278550	369	300	157	VOE 946329	916	2400	533
VOE 8277864	924	1000	573	VOE 8277885	924	3000	583	VOE 8278172	974	300	601	VOE 8278550	914	2300	485	VOE 946329	924	200	565
VOE 8277864	924	2000	581	VOE 8277886	925	1500	597	VOE 8278174	356	200	137	VOE 8278557	914	2100	481	VOE 946440	235	100	87
VOE 8277865	924	1100	575	VOE 8277887	924	100	561	VOE 8278174	916	400	493	VOE 940090	364	100	151	VOE 946440	261	400	109
VOE 8277866	924	1200	577	VOE 8277889	925	100	587	VOE 8278174	974	2000	609	VOE 940090	371	400	167	VOE 946440	362	300	145
VOE 8277867	924	1600	579	VOE 8277890	925	100	587	VOE 8278174	974	2100	611	VOE 940090	371	800	173	VOE 946440	364	100	151
VOE 8277868	924	1600	579	VOE 8277891	925	200	589	VOE 8278176	356	200	137	VOE 940090	810	700	271	VOE 946440	367	100	153
VOE 8277869	924	1600	579	VOE 8277892	925	500	591	VOE 8278176	897	300	361	VOE 940090	830	100	291	VOE 946440	371	400	167
VOE 8277870	369	100	155	VOE 8277893	925	500	591	VOE 8278176	974	1000	603	VOE 940090	830	100	293	VOE 946440	371	500	169
VOE 8277870	924	200	565	VOE 8277894	925	500	591	VOE 8278176	974	1200	605	VOE 940090	843	200	305	VOE 946440	387	100	179
VOE 8277870	924	3100	585	VOE 8277895	925	1000	593	VOE 8278176	974	1300	607	VOE 941912	321	100	127	VOE 946440	841	100	299
VOE 8277871	924	400	567	VOE 8277896	925	1000	593	VOE 8278178	975	200	625	VOE 943482	251	100	93	VOE 946440	843	200	303
VOE 8277872	924	500	569	VOE 8277907	897	100	357	VOE 8278178	975	600	633	VOE 945444	367	100	153	VOE 946440	881	200	347
VOE 8277873	924	700	571	VOE 8277907	897	200	359	VOE 8278180	975	200	625	VOE 945444	372	200	175	VOE 946440	914	300	451
VOE 8277874	924	700	571	VOE 8277908	897	100	357	VOE 8278180	975	600	633	VOE 945444	810	700	271	VOE 946440	914	400	455

NUMERICAL INDEX

부품번호 색인

Catalogue id  
**56141**

Group  
**1000**

RÉPERTOIRE DE NUMÉROS

INDICE DE NÚMERO

Issue

Page

NUMMERNREGISTER

VOE 7414356141

**25**

**VOLVO**

**EC210B**

NUMERICAL INDEX				부품번호 색인												Catalogue id		Group	
RÉPERTOIRE DE NUMÉROS				INDICE DE NÚMERO												56141		1000	
NUMMERNREGISTER																Issue		Page	
																VOE 7414356141		26	
Part No	Group	Sect	Page	Part No	Group	Sect	Page	Part No	Group	Sect	Page	Part No	Group	Sect	Page	Part No	Group	Sect	Page
VOE 946440	914	2300	485	VOE 946471	371	400	167	VOE 947167	911	200	379	VOE 955892	881	100	343	VOE 955919	830	100	291
VOE 946440	916	2600	535	VOE 946471	372	200	175	VOE 947167	911	400	383	VOE 955894	371	400	167	VOE 955919	870	100	325
VOE 946441	234	300	83	VOE 946471	386	100	177	VOE 947167	911	600	389	VOE 955894	716	200	229	VOE 955919	874	100	331
VOE 946441	261	100	103	VOE 946471	492	100	215	VOE 947167	916	500	497	VOE 955894	810	500	263	VOE 955921	256	100	99
VOE 946441	352	100	133	VOE 946471	837	100	295	VOE 947167	916	1300	517	VOE 955894	810	600	265	VOE 955921	258	200	101
VOE 946441	356	300	139	VOE 946471	837	200	297	VOE 947167	916	2100	525	VOE 955894	810	700	271	VOE 955921	261	100	103
VOE 946441	367	100	153	VOE 946471	870	100	325	VOE 947167	916	2200	527	VOE 955894	830	100	291	VOE 955921	261	300	105
VOE 946441	371	200	161	VOE 946471	870	200	327	VOE 947167	916	2800	539	VOE 955894	837	100	295	VOE 955921	362	100	141
VOE 946441	371	500	169	VOE 946471	874	100	331	VOE 947167	916	4000	547	VOE 955894	843	200	303	VOE 955921	716	200	229
VOE 946441	492	100	215	VOE 946471	874	200	335	VOE 947167	924	1000	573	VOE 955894	852	100	307	VOE 955921	810	500	263
VOE 946441	810	500	263	VOE 946471	875	100	341	VOE 947542	810	600	265	VOE 955894	860	100	311	VOE 955921	810	600	265
VOE 946441	870	100	323	VOE 946471	881	100	343	VOE 947542	810	700	271	VOE 955894	860	200	313	VOE 955921	821	300	281
VOE 946441	874	100	331	VOE 946471	914	2300	485	VOE 947620	262	100	111	VOE 955894	860	400	317	VOE 955921	830	100	291
VOE 946441	875	100	341	VOE 946471	916	2600	535	VOE 947760	371	400	167	VOE 955897	810	700	271	VOE 955921	837	100	295
VOE 946441	881	200	347	VOE 946472	234	300	83	VOE 948400	852	100	307	VOE 955897	870	100	325	VOE 955921	852	100	307
VOE 946441	911	500	385	VOE 946472	810	700	271	VOE 948953	912	2000	425	VOE 955897	874	100	331	VOE 955921	914	300	451
VOE 946441	914	100	443	VOE 946472	837	100	295	VOE 949445	974	3000	615	VOE 955897	992	100	657	VOE 955921	914	400	455
VOE 946441	914	300	451	VOE 946472	881	100	343	VOE 949445	975	1500	639	VOE 955900	356	100	135	VOE 955921	916	700	505
VOE 946441	914	400	455	VOE 946472	911	500	385	VOE 949445	975	2500	649	VOE 955900	356	200	137	VOE 955921	924	100	561
VOE 946441	914	500	457	VOE 946472	914	700	461	VOE 949445	975	2700	653	VOE 955900	363	300	149	VOE 955921	924	700	571
VOE 946441	916	300	491	VOE 946472	914	2200	483	VOE 949566	913	100	429	VOE 955900	810	100	261	VOE 955921	924	1600	579
VOE 946471	234	100	81	VOE 946472	916	700	507	VOE 949566	974	3400	619	VOE 955900	837	100	295	VOE 955922	252	100	95
VOE 946471	234	300	83	VOE 946544	852	100	309	VOE 955268	216	200	67	VOE 955918	367	100	153	VOE 955922	256	100	99
VOE 946471	235	100	87	VOE 946544	881	100	343	VOE 955269	216	200	67	VOE 955918	371	800	173	VOE 955922	258	200	101
VOE 946471	269	200	117	VOE 946671	261	400	109	VOE 955892	367	100	153	VOE 955918	386	100	177	VOE 955922	261	300	107
VOE 946471	352	100	133	VOE 946671	852	100	307	VOE 955892	371	400	167	VOE 955918	810	700	271	VOE 955922	356	300	139
VOE 946471	356	100	135	VOE 946934	234	300	83	VOE 955892	371	800	173	VOE 955918	830	100	291	VOE 955922	431	400	197
VOE 946471	356	200	137	VOE 946934	372	200	175	VOE 955892	372	200	175	VOE 955918	843	200	305	VOE 955922	443	200	213
VOE 946471	356	300	139	VOE 946934	810	600	265	VOE 955892	810	100	261	VOE 955918	916	300	491	VOE 955922	775	700	245
VOE 946471	362	200	143	VOE 946934	914	100	443	VOE 955892	810	600	265	VOE 955919	235	100	87	VOE 955922	830	100	293
VOE 946471	363	200	147	VOE 947107	356	100	135	VOE 955892	810	700	271	VOE 955919	261	300	105	VOE 955922	852	100	307
VOE 946471	363	300	149	VOE 947107	356	200	137	VOE 955892	810	800	273	VOE 955919	372	200	175	VOE 955922	860	100	311
VOE 946471	369	100	155	VOE 947107	371	500	169	VOE 955892	830	100	291	VOE 955919	810	600	265	VOE 955922	860	200	313
VOE 946471	371	100	159	VOE 947167	870	100	325	VOE 955892	870	100	325	VOE 955919	810	700	271	VOE 955922	870	100	325
VOE 946471	371	200	163	VOE 947167	874	100	331	VOE 955892	874	100	331	VOE 955919	810	800	273	VOE 955922	874	100	331

Part No	Group	Sect	Page	Part No	Group	Sect	Page	Part No	Group	Sect	Page	Part No	Group	Sect	Page	Part No	Group	Sect	Page
VOE 955922	911	200	379	VOE 955923	860	200	313	VOE 955926	925	1200	595	VOE 965185	870	200	327	VOE 969405	367	100	153
VOE 955922	911	400	383	VOE 955923	860	300	315	VOE 955926	974	100	599	VOE 965185	874	200	335	VOE 969405	830	100	291
VOE 955922	911	500	387	VOE 955923	860	500	319	VOE 955926	974	1000	603	VOE 965185	914	2200	483	VOE 969405	843	200	303
VOE 955922	911	600	389	VOE 955923	870	100	325	VOE 955926	974	2000	609	VOE 965186	881	100	345	VOE 969407	371	800	171
VOE 955922	914	2200	483	VOE 955923	874	100	333	VOE 955926	974	2500	613	VOE 965187	881	100	345	VOE 969407	386	100	177
VOE 955922	916	100	487	VOE 955923	911	500	385	VOE 955926	975	100	623	VOE 965191	860	600	321	VOE 969407	810	800	273
VOE 955922	916	400	493	VOE 955923	911	600	389	VOE 955926	975	200	625	VOE 967630	852	100	307	VOE 969407	830	100	293
VOE 955922	916	500	497	VOE 955923	912	100	391	VOE 955926	975	300	627	VOE 967631	837	100	295	VOE 969407	843	200	303
VOE 955922	916	600	503	VOE 955923	916	600	503	VOE 960148	310	100	125	VOE 967635	916	600	503	VOE 969407	916	300	491
VOE 955922	916	700	505	VOE 955923	916	2200	527	VOE 960148	810	500	263	VOE 967635	916	4000	547	VOE 969408	269	200	117
VOE 955922	916	900	511	VOE 955923	924	1000	573	VOE 960148	821	300	281	VOE 967636	911	600	389	VOE 969420	367	100	153
VOE 955922	916	1000	513	VOE 955923	992	100	657	VOE 960148	830	100	293	VOE 967636	916	100	489	VOE 969420	830	100	291
VOE 955922	916	1200	515	VOE 955926	218	100	71	VOE 960148	852	100	307	VOE 967636	916	400	495	VOE 969422	810	100	261
VOE 955922	916	1300	517	VOE 955926	356	100	135	VOE 960148	860	100	311	VOE 967636	916	500	499	VOE 969422	810	600	265
VOE 955922	916	1500	521	VOE 955926	356	200	137	VOE 960148	860	200	313	VOE 967636	916	900	511	VOE 969422	810	700	271
VOE 955922	916	2100	525	VOE 955926	775	800	247	VOE 960148	860	600	321	VOE 967636	916	1000	513	VOE 969422	810	800	273
VOE 955922	916	2200	527	VOE 955926	810	100	261	VOE 960148	870	100	325	VOE 967636	916	4000	547	VOE 969422	881	100	345
VOE 955922	916	2800	539	VOE 955926	837	100	295	VOE 960148	874	100	333	VOE 967637	912	2100	427	VOE 969422	911	100	375
VOE 955922	916	3000	541	VOE 955926	911	200	379	VOE 960148	992	100	657	VOE 967637	916	2100	525	VOE 969587	258	200	101
VOE 955922	916	3200	545	VOE 955926	911	500	385	VOE 960630	215	100	63	VOE 967637	924	1000	573	VOE 969587	810	100	261
VOE 955922	916	4000	547	VOE 955926	911	600	389	VOE 963059	974	3000	615	VOE 967639	916	600	503	VOE 969587	881	100	345
VOE 955922	924	700	571	VOE 955926	916	100	487	VOE 963059	974	3400	619	VOE 967639	916	2600	537	VOE 969737	810	600	265
VOE 955922	924	1000	573	VOE 955926	916	400	493	VOE 963059	975	1500	639	VOE 968842	256	100	99	VOE 969747	810	700	271
VOE 955922	924	1100	575	VOE 955926	916	500	497	VOE 963059	975	1600	643	VOE 969147	810	600	267	VOE 969843	881	100	345
VOE 955922	924	1200	577	VOE 955926	916	600	503	VOE 963059	975	2500	649	VOE 969147	810	800	273	VOE 977761	321	100	127
VOE 955922	924	1600	579	VOE 955926	916	1000	513	VOE 963059	975	2700	653	VOE 969160	371	500	169	VOE 978932	261	300	107
VOE 955922	992	100	657	VOE 955926	916	1300	517	VOE 965175	363	300	149	VOE 969160	896	200	355	VOE 978932	431	100	189
VOE 955923	218	100	71	VOE 955926	916	2000	523	VOE 965175	371	800	171	VOE 969161	371	500	169	VOE 978932	821	200	277
VOE 955923	261	100	103	VOE 955926	916	2800	539	VOE 965175	843	200	303	VOE 969161	896	200	355	VOE 978932	821	200	279
VOE 955923	261	300	107	VOE 955926	916	3200	545	VOE 965175	870	200	327	VOE 969162	371	500	169	VOE 978932	821	400	283
VOE 955923	443	200	213	VOE 955926	924	500	569	VOE 965175	874	200	335	VOE 969162	896	200	355	VOE 978932	827	200	289
VOE 955923	810	700	271	VOE 955926	924	1200	577	VOE 965175	875	100	341	VOE 969164	371	500	169	VOE 978932	837	200	297
VOE 955923	827	200	289	VOE 955926	925	100	587	VOE 965175	881	100	345	VOE 969164	896	200	355	VOE 978932	860	100	311
VOE 955923	837	200	297	VOE 955926	925	200	589	VOE 965176	916	2400	531	VOE 969313	916	2300	529	VOE 978932	891	100	349
VOE 955923	860	100	311	VOE 955926	925	500	591	VOE 965178	914	500	459	VOE 969404	371	800	171	VOE 978932	912	100	391

NUMERICAL INDEX

RÉPERTOIRE DE NUMÉROS

NUMMERNREGISTER

부품번호 색인

INDICE DE NÚMERO

Catalogue id  
**56141**

Group  
**1000**

Issue  
**VOE 7414356141**

Page  
**27**

**VOLVO**

**EC210B**

NUMERICAL INDEX				부품번호 색인				Catalogue id				Group			
RÉPERTOIRE DE NUMÉROS				INDICE DE NÚMERO				56141				1000			
NUMMERNREGISTER								Issue				Page			
								VOE 7414356141				28			
Part No	Group	Sect	Page	Part No	Group	Sect	Page	Part No	Group	Sect	Page	Part No	Group	Sect	Page
VOE 978932	916	2100	525	VOE 978941	911	500	385	VOE 983242	261	300	107	VOE 983251	860	200	313
VOE 978932	992	100	657	VOE 978949	441	500	207	VOE 983242	716	200	229	VOE 983251	870	100	325
VOE 978933	218	100	71	VOE 978949	492	100	215	VOE 983242	924	100	561	VOE 983251	874	100	333
VOE 978933	261	100	103	VOE 978999	371	500	169	VOE 983243	258	200	101	VOE 983251	911	100	375
VOE 978933	443	200	213	VOE 978999	896	200	355	VOE 983243	821	200	277	VOE 983251	924	700	571
VOE 978933	821	100	275	VOE 979019	916	600	503	VOE 983243	821	300	281	VOE 983252	252	100	95
VOE 978933	821	200	277	VOE 979019	974	2100	611	VOE 983243	924	700	571	VOE 983252	431	400	197
VOE 978933	860	200	313	VOE 979021	837	100	295	VOE 983243	924	1600	579	VOE 983252	821	200	277
VOE 978933	860	300	315	VOE 979021	911	500	385	VOE 983244	258	200	101	VOE 983252	827	200	289
VOE 978933	860	500	319	VOE 979021	924	100	561	VOE 983244	821	200	277	VOE 983252	860	100	311
VOE 978933	870	100	325	VOE 979021	925	100	587	VOE 983244	827	200	289	VOE 983252	860	200	313
VOE 978933	874	100	333	VOE 979021	925	200	589	VOE 983245	210	100	49	VOE 983252	870	100	325
VOE 978933	916	2200	527	VOE 979021	925	500	591	VOE 983245	914	400	455	VOE 983252	874	100	333
VOE 978933	916	2600	537	VOE 979021	925	1200	595	VOE 983246	916	700	505	VOE 983252	916	100	487
VOE 978933	924	1000	573	VOE 979021	925	1500	597	VOE 983248	914	300	451	VOE 983252	916	400	493
VOE 978934	261	300	107	VOE 979021	974	100	599	VOE 983250	775	700	245	VOE 983252	916	500	499
VOE 978936	356	100	135	VOE 979021	974	1000	603	VOE 983250	860	100	311	VOE 983252	916	600	503
VOE 978936	356	200	137	VOE 979021	974	2000	609	VOE 983250	916	1200	515	VOE 983252	916	900	511
VOE 978936	715	100	223	VOE 979021	975	100	623	VOE 983250	916	1500	521	VOE 983252	916	1000	513
VOE 978936	715	200	225	VOE 979021	975	200	625	VOE 983250	916	3000	541	VOE 983252	916	1300	517
VOE 978936	916	3200	545	VOE 979021	975	300	627	VOE 983250	916	3200	545	VOE 983252	916	2300	529
VOE 978936	924	500	569	VOE 979021	975	1900	647	VOE 983250	924	400	567	VOE 983252	916	3000	541
VOE 978936	924	1200	577	VOE 979022	775	900	249	VOE 983250	924	500	569	VOE 983252	916	4000	547
VOE 978938	218	100	71	VOE 980465	810	100	261	VOE 983250	924	700	571	VOE 983252	924	1100	575
VOE 978938	715	100	223	VOE 980521	924	100	563	VOE 983250	924	1100	575	VOE 983252	992	100	657
VOE 978938	718	700	237	VOE 980521	925	1000	593	VOE 983250	924	1200	577	VOE 983253	252	100	95
VOE 978938	775	1200	253	VOE 980755	261	100	103	VOE 983251	234	100	81	VOE 983253	827	100	287
VOE 978938	911	200	379	VOE 980973	262	100	111	VOE 983251	256	100	99	VOE 983253	911	500	387
VOE 978939	363	300	149	VOE 983241	881	200	347	VOE 983251	258	200	101	VOE 983253	916	100	487
VOE 978939	911	600	389	VOE 983241	974	300	601	VOE 983251	261	300	107	VOE 983253	916	400	495
VOE 978939	916	100	487	VOE 983241	974	1200	605	VOE 983251	443	200	213	VOE 983253	916	500	497
VOE 978939	916	400	493	VOE 983241	974	2100	611	VOE 983251	775	700	245	VOE 983253	924	700	571
VOE 978940	916	100	487	VOE 983242	256	100	99	VOE 983251	775	900	249	VOE 983253	924	1600	579
VOE 978940	916	500	499	VOE 983242	258	200	101	VOE 983251	827	100	287	VOE 983255	916	500	497
VOE 978941	775	1000	251	VOE 983242	261	100	103	VOE 983251	830	100	293	VOE 983255	916	2100	525

**PARTS CATALOG**  
**EC210B**

CUT HERE

**VOLVO**

LABEL FOR STEELBINDER



RECYCLABLE PAPER

**VOLVO**

Construction Equipment

Ref. No. 7414356141 CST

Printed in Sweden,

Elanders Graphic Systems AB, Göteborg 2002.